

TABLE OF CONTENTS

1. FAUCET REPAIRS

- Acorn 1-1
- American Standard 1-3
- Amsco 1-29
- Briggs 1-30
- Burlington Brass 1-31
- Bristol 1-32
- Bradley 1-32
- Central Brass 1-37
- Chicago Faucet 1-44
- Crane 1-52
- Delta 1-62
- Eljer 1-72
- Elkay 1-80
- Gerber 1-81
- Grohe 1-86
- Harcraft 1-88
- Hydrotek 1-90
- Indiana Brass 1-91
- Kohler 1-93
- Lawler 1-112
- Leonard 1-114
- Logan 1-118
- Milwaukee 1-119
- Moen 1-122
- Nibco 1-128
- Powers 1-131
- Price Pfister 1-139
- Royal Brass 1-145
- Sayco 1-147
- Sloan 1-149
- Speakman 1-151
- Sterling 1-161
- Streamway 1-168
- Symmons 1-169
- T & S Brass 1-177
- Union Brass 1-180
- Valley 1-182
- Water Saver 1-185
- Zurn 1-187

- Caulks and Sealants 3-8
- Cements from Oatey 3-9
- Glues and Epoxy Compounds 3-10
- Water Filters 3-11

4. SAFETY EQUIPMENT

- Bradley 4-1
- Encon 4-4
- Guardian 4-4
- Haws 4-6
- Haws/Western Emergency Equipment 4-8
- Speakman 4-9
- Safety-Walk Anti-Slip Materials 4-14

5. HARDWARE AND TOILET PARTITIONS

- Door Stops 5-1
- Drapery Accessories 5-3
- Toilet Compartments 5-4
- Individual Components 5-5
- Brackets 5-6
- Screws 5-7
- Strike and Keepers 5-8
- Gravity Pivot Hinges 5-10
- Surface Mounted Hinges 5-11
- Door Hinge Accessories 5-12
- Latches 5-13
- Locker Parts 5-15
- Window Balance Hardware 5-21

6. BATHROOM ACCESSORIES

- Soap Dispensers 6-1
- Bulk Soap Dispensers 6-3
- Toilet Tissue Dispensers 6-4
- Paper Towel Dispensers 6-5
- Toilet Tissue Spindles 6-6
- Hand Dryers 6-7
- A & J 6-8
- American Specialties 6-9
- Bobrick 6-11
- Ceramic Accessories 6-14
- Hotel/Motel Accessories 6-15
- Shower Parts 6-16
- Towel Bars 6-17
- Hand Dryer Parts 6-19

7. HEATING AND HYDRONICS

- Safety Valves, Sump Pumps and Recirc Pumps 7-1
- Safety Relief Valves 7-2
- Backflow Preventers and Vacuum Breakers 7-4
- Tempering Valves and Float Valves 7-5
- Vents 7-6
- Water Vents and Air Eliminators 7-7
- Supply Valves and Steam Specialties 7-8
- Thermostatic Traps 7-9
- Pump Control and Water Feeder Replacement Parts 7-10
- Traps 7-11
- Gauges 7-12
- Gauges, Gaskets, Thermometers and Valves 7-13
- B & G Booster and Little Red Parts Selector 7-16
- Couplers 7-19
- B & G Booster Pumps and Flanges 7-20
- Grundfos 7-20
- B & G Gaskets 7-22
- Taco 7-22
- Flange Elements and Water Heater Continuity Tester 7-27
- Hot Water Heater Repairs 7-28
- Connectors 7-32
- Tankless Water Heaters 7-31

2. FOOD SERVICE

- Lever Waste 2-1
- Drain Assemblies 2-3
- Pre-Rinse Parts 2-5
- Component Hardware Group (CHG) 2-6
- Chicago Faucets 2-8
- Fisher 2-13
- T & S Brass 2-17
- TMS 2-30
- Zurn 2-31
- Water Saving Ideas from TMS 2-34
- Food Service Sinks 2-35
- Edlund Can Openers 2-37
- Vacuum Breaker Repair Kits 2-38
- Washdown Equipment 2-39
- Water Filters 2-40
- Connectors 2-41

3. CHEMICALS

- Drain Cleaners and Treatment 3-1
- Deodorizers/Cleaners 3-2
- Cleaners/Degreasers 3-3
- Tapes/Lime Removers/Lubricants 3-4
- Lubricants/Penetrants 3-5
- Pipe Thread Compounds 3-5
- Thread and Gasket Compounds 3-6
- Soldering Fluxes 3-7



**TOTAL
MAINTENANCE
SOLUTIONS**

HOUSTON
800/392-5066

ORLANDO
800/327-3022

GREENVILLE
800/476-2212

LOOK FOR US ON THE WEB AT: www.TMSSouth.com

TABLE OF CONTENTS

8. PLUMBING VALVES

Bronze Valves.....	8-1
Meter Boxes.....	8-4
Jonespec.....	8-5
Josam.....	8-7
Mansfield and NIBCO.....	8-11
Smith.....	8-12
Wade.....	8-14
Watts.....	8-17
Woodford.....	8-17
Zurn.....	8-22
Hydrant Keys.....	8-26

9. FAUCETS

Lavatory Faucets.....	9-1
Huntington Brass.....	9-2
Sink Faucets.....	9-3
Coral Collection from TMS.....	9-5
Service Sink Faucets.....	9-6
Bath and Shower Valves.....	9-6
Hospital and Medical Faucets.....	9-7
Laboratory Service Fittings.....	9-9
Food Service Fittings.....	9-11

10. TOOLS, FASTENERS & SEWER EQUIPMENT

Drain Cleaning Devices.....	10-1
Sewer Inspection Machines.....	10-4
General Wire Sewer Machine Accessories.....	10-5
General Wire Sewer Machines.....	10-6
Marco Sewer Products.....	10-7
Spartan Sewer Products.....	10-8
Ridgid Sewer Products.....	10-10
Rothenberger Tools.....	10-11
Wrenches and Other Tools.....	10-13
Flashlights.....	10-19
Screwdrivers.....	10-21
Cutter Wheels.....	10-25
Torches.....	10-27
Jet Swet.....	10-27
Screws and Anchors.....	10-28
Shovels.....	10-31
Ridgid Tools.....	10-32

11. FLUSH VALVES

Delany Complete Units.....	11-1
Toto Complete Units.....	11-1
Sloan Complete Units.....	11-2
Zurn Complete Units.....	11-3
Retrofit Kits.....	11-4
Flush Valve Tools.....	11-4
Central Brass.....	11-5
Chicago Faucets.....	11-6
Delany.....	11-7
Hydrotek.....	11-16
Mansfield.....	11-18
Sloan.....	11-18
Speakman.....	11-32
Toto.....	11-32
Zurn.....	11-38

12. TOILET AND TANK REPAIRS

Toilets.....	12-1
SANIFLO.....	12-2
Toilet Kart.....	12-2
Water Saving Toilets/Urinals.....	12-4
Bowl Parts.....	12-5
Gaskets.....	12-7
Flanges.....	12-9

Seats.....	12-10
Heavyweight Solutions.....	12-12
Flappers.....	12-13
Flush Valves.....	12-13
Ballcocks.....	12-16
American Standard.....	12-17
Burlington Brass.....	12-19
Eljer.....	12-20
Kohler.....	12-21
Briggs Toilet Repairs.....	12-23
Mansfield.....	12-26
Sloan.....	12-27
Toilet Handle Repair Parts.....	12-29
Pressure Assist Toilet Parts.....	12-30

13. WATER COOLER & FOUNTAIN REPAIR

Halsey Taylor Water Coolers.....	13-1
American Standard.....	13-2
Central Brass.....	13-6
Crane.....	13-7
EBCO.....	13-8
Eljer.....	13-15
Elkay (Cordley).....	13-16
Bubblers & Fountain Heads.....	13-23
Halsey Taylor.....	13-25
Haws.....	13-39
Kohler.....	13-44
Sunroc.....	13-49

14. WASHFOUNTAINS

Acorn.....	14-1
Bradley.....	14-4
Intersan.....	14-23

15. GRATES AND DRAINS

Cleanout Covers and Floor Drain Grates.....	15-1
Grates and Plugs.....	15-2
Zurn Replacement Grates.....	15-3
Josam, Smith and Wade Replacement Grates.....	15-4
Trap Standards.....	15-5
Trap Primers.....	15-6
Buckets and Grates.....	15-7
Floor Sink Grates and Strainers.....	15-8

16. TUB & SHOWER REPAIRS/ACCESSORIES

Spouts.....	16-1
Waste, Stoppers and Overflows.....	16-2
American Standard.....	16-5
Shower Repair Parts.....	16-6
Showerheads.....	16-10
Hand Held Shower and Accessories.....	16-12

17. WASTE & SUPPLY PRODUCTS

Tubular.....	17-1
PVC Tubular.....	17-3
Escutcheons.....	17-4
Fittings.....	17-8
Connectors.....	17-9
Strainers.....	17-10
Baskets.....	17-11

OUR FITTINGS SECTION IS NOW IN ITS OWN MINI-CATALOG!

INDEX..... 19-1

DOING BUSINESS WITH TMS SOUTH..... 19-6



**TOTAL
MAINTENANCE
SOLUTIONS**

HOUSTON
800/392-5066

ORLANDO
800/327-3022

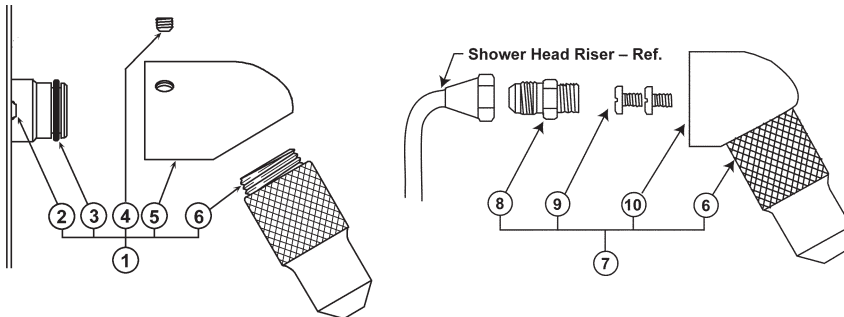
GREENVILLE
800/476-2212

LOOK FOR US ON THE WEB AT: www.TMSSouth.com

FAUCET REPAIR

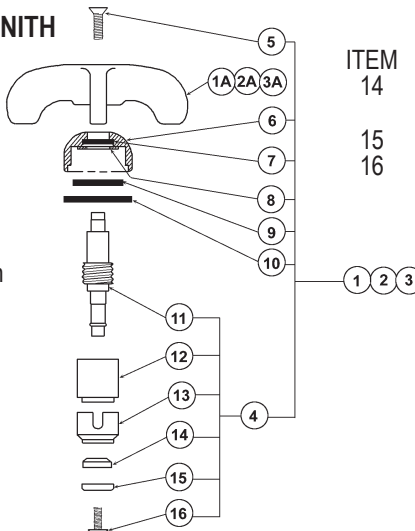
ACORN SHOWER HEADS MODEL 851 & 852 – AUGUST 1974 TO PRESENT

ITEM	PART #	DESCRIPTION
1	41011209	851 Shower head assy.
2	41011188	Tri - slot
3	33014052	O-Ring
4	41011190	Set screw 1/4-28 x 3/16"
5	33011149	Shower head bracket
6	41011145	Shower nozzle assembly
7	33014056	852 Shower head assy.
8		3/8" flare x 1/4" NPT fitting
9		1/4-20 x 1/2" screw
10		Standard shower head bracket



ACORN FLO-CLOZ CARTRIDGE FOR EXPOSED – ZENITH AUGUST 1979 TO PRESENT

ITEM	PART #	DESCRIPTION
1		Flo-Cloz cartridge assy. - single temp.
1A		Cross handle - single temp.
2		Flo-Cloz cartridge assy. - cold
2A	41011147	Cross handle - cold
3		Flo-Cloz cartridge assy. - hot
3A	41011148	Cross handle - hot
4		Flo-Cloz cartridge w/ chrome-plated stem
5	41011150	Handle screw
6	41011151	Bonnet - chrome plated
7	40950023	O-Ring
8	40120668	O-Ring retainer
9	41011071	Bonnet gasket
10	41011152	Gasket
11	40170022	LH stem – chrome plated
12		Flo-Cloz sleeve
13		Flo-Cloz plastic sleeve

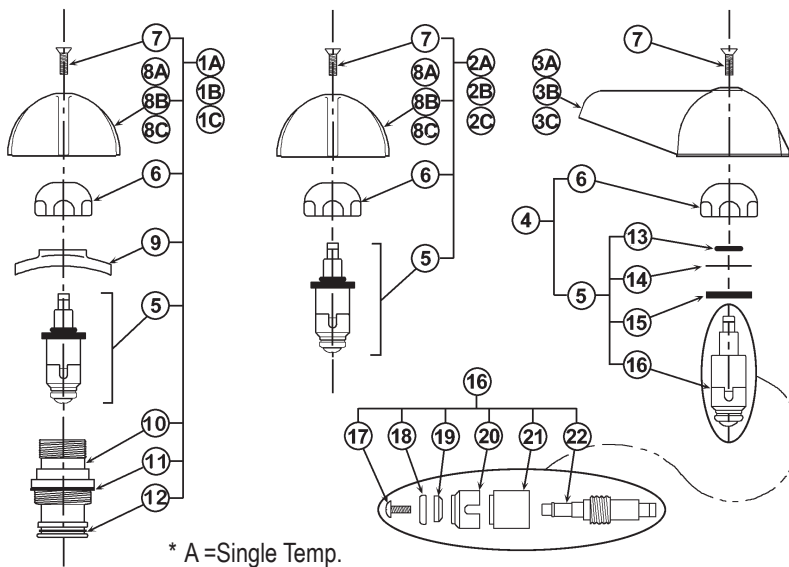


ITEM	PART #	DESCRIPTION
14	40120188	Seat gasket valve cartridge
15		Disc retainer
16	50100013	Screw

**MORE ACORN
PENAL FITTINGS
IN SECURITY
FIXTURES AND
REPAIR PARTS
CATALOG**

ACORN CONCEALED FLO-CLOZ CARTRIDGE FOR APEX, ACME, CLASSIC & CAPITAL

ITEM	PART #	DESCRIPTION
1A, 1B, 1C		Capital Flo-Cloz assy.*
2A, 2B, 2C		Flo-Cloz valve assy.*
3A, 3B, 3C		Flo-Cloz lever handle*
4		Flo-Cloz cartridge w/ bonnet assembly
5	40170022	Flo-Cloz cartridge assy.
6	41011153	Bonnet
7	41011154	Handle screw
8A, 8B, 8C		Canopy handle*
9		Escutcheon – Capital only
10		Valve adapter
11	41011155	Gasket
12	41011156	O-Ring
13	40950023	O-Ring
14	40140031	O-Ring retainer
15	41011071	O-Ring
16		Flo-Cloz cartridge
17	50100013	Screw
18		Disc retainer
19	40120188	Seat washer – hard
20, 21		Seat & sleeve
22		Stem



* A = Single Temp.
B = Cold
C = Hot



**TOTAL
MAINTENANCE
SOLUTIONS**

HOUSTON
800/392-5066

ORLANDO
800/327-3022

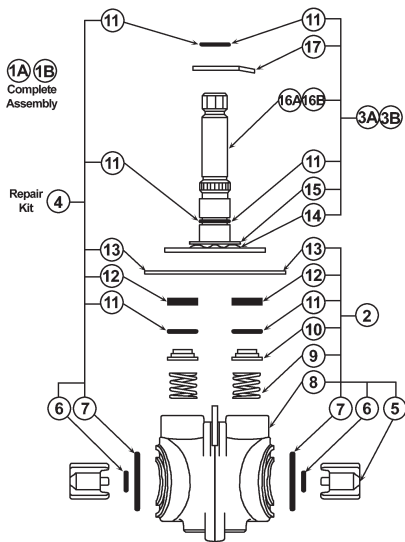
GREENVILLE
800/476-2212

LOOK FOR US ON THE WEB AT: www.TMSSouth.com

FAUCET REPAIR

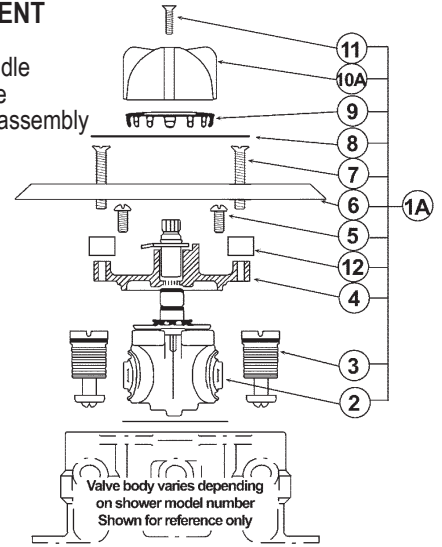
ACORN SAFTI-TROL VALVE-CARTRIDGE/STEM & PLATE ASSEMBLY APRIL 1977 TO PRESENT

ITEM	PART #	DESCRIPTION
1A	41011143	Cartridge & stem plate - std.
1B	41011159	Cartridge & stem plate - ext.
2	41011144	Cartridge assy. items 5 thru 13
3A		Safti-trol stem assy.
3B		Safti-trol stem assy. - ext
4	41011168	O-Ring & gasket repair kit
5		Proportional valve cap
6		O-Ring
7		O-Ring
8		Cartridge shell
9		Outlet spring
10		Shut off disc retainer
11	40950021	Outlet o-ring
12		Gasket
13		Bonnet gasket gasket
14		Thrust washer
15		Fibre washer
16A	41011169	Stem & plate assembly - std.
16B	41011170	Stem & plate assy. - ext.
17		Temperature limiting stop



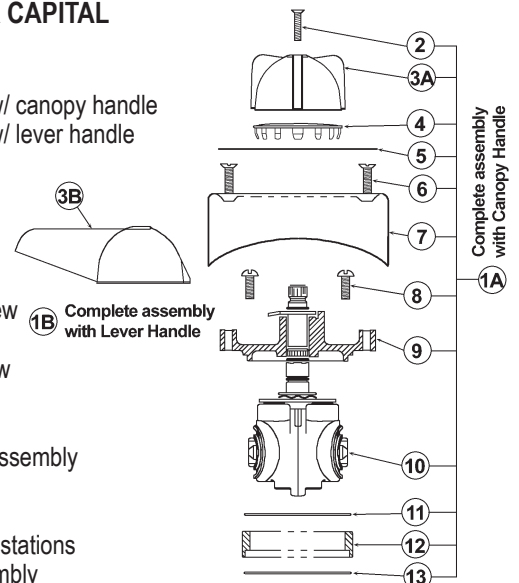
ACORN SAFTI-TROL VALVE FOR APEX, CLASSIC, ACME & ZENITH VALVES APRIL 1977 TO PRESENT

ITEM	PART #	DESCRIPTION
1A		Valve assy. w/ canopy handle
1B		Valve assy. w/ lever handle
2	41011143	Cartridge w/ stem & plate assembly
	41011159	Cartridge w/ stem & plate assembly - Zenith
3	41011099	Check stop assembly
4		Bonnet cap
5		10-32 x 1/2" screw
6	41011160	Escutcheon
7	41011161	8-32 x 1-1/2" screw
8	41011162	Dial plate
9	41011163	Snap ring
10A	41011164	Canopy handle
10B	41011165	Lever handle
11	41011150	Handle screw
12		Spacer



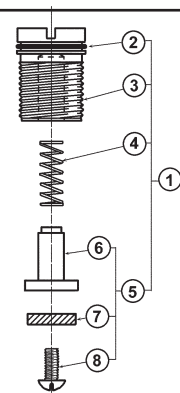
ACORN SAFTI-TROL VALVE FOR CAPITAL APRIL 1977 TO PRESENT

ITEM	PART #	DESCRIPTION
1A		Valve assembly w/ canopy handle
1B		Valve assembly w/ lever handle
2	41011150	Handle screw
3A	41011164	Canopy handle
3B	41011165	Lever handle
4	41011163	Snap ring
5	41011162	Dial plate
6	41011161	8-32 x 1-1/2" screw
7	41011166	Escutcheon
8		10-32 x 1/2" screw
9		Bonnet cap
10	41011143	Cartridge w/ stem & plate assembly
11		Bonnet gasket
12		Spacer saver
13		Escutcheon for 6 stations
	41011099	Check stop assembly (not shown)



ACORN CHECK STOP ASSEMBLY FOR SAFTI-TROL; MAY 1970 TO PRESENT

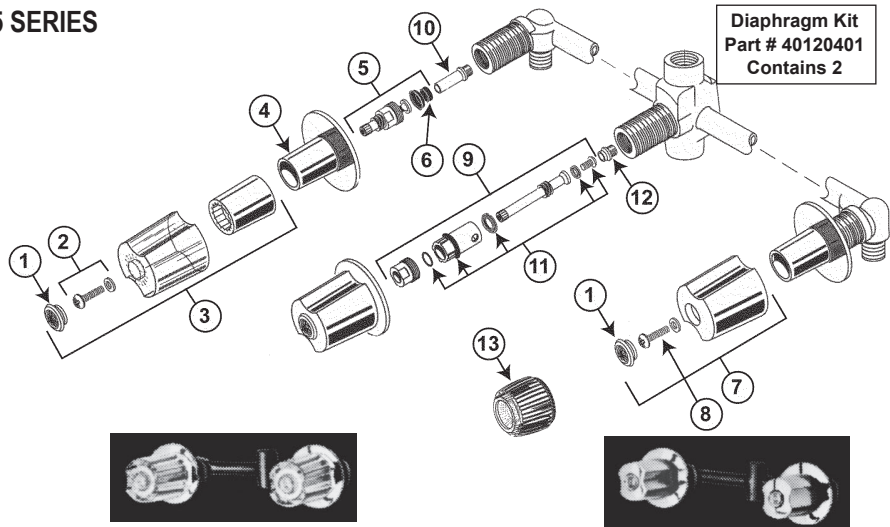
ITEM	PART #	DESCRIPTION
1	41011099	Check stop assembly - complete
2		O-Ring
3		Check stop body
4		Spring
5		Check valve sub-assembly
6		Check valve
7	40110119	Washer
8	50100011	Screw



FAUCET REPAIR

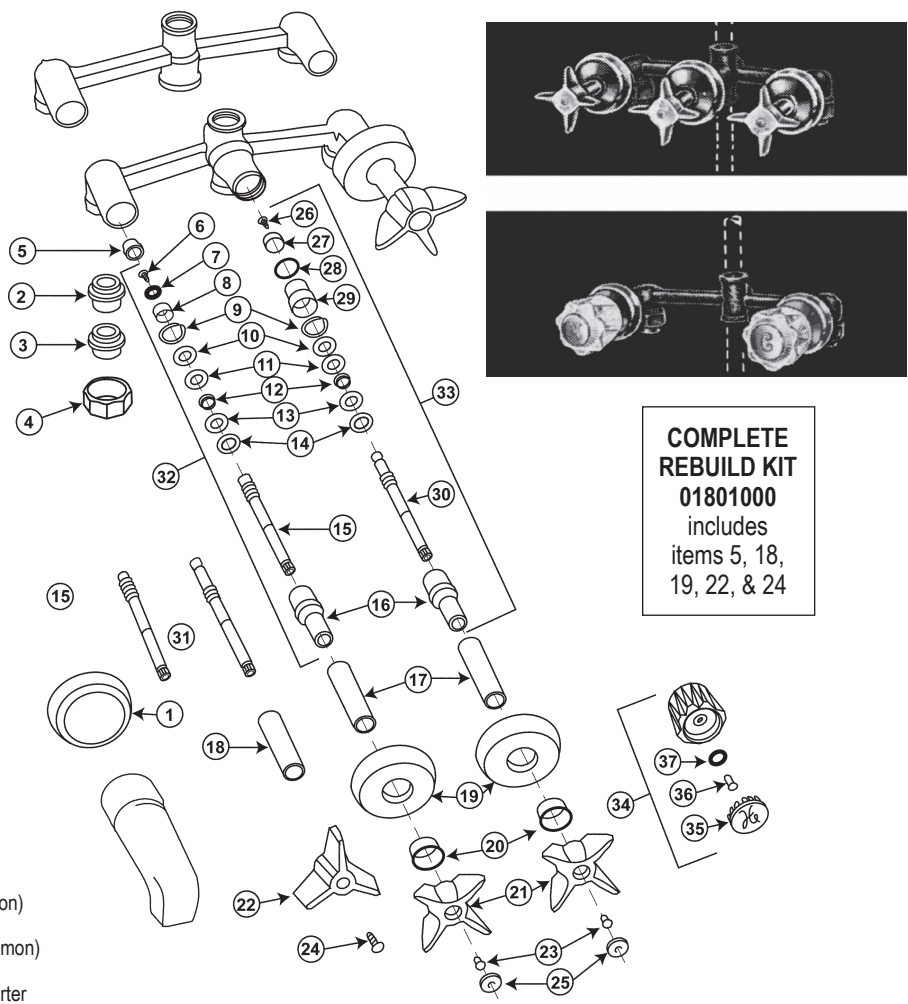
AMERICAN STANDARD CADET 1800 & 1805 SERIES

ITEM	PART #	DESCRIPTION
1	40120680	Hot & cold index
	40120400	Hot, cold & div. index
2	50100000	Clear handle screw kit (1)
3	40120547	Clear handle kit (H&C)
	40120543	Clear handle kit (H,C,D)
4	40120545	Escutcheon - chrome
5	40120010	Stem assembly
6	40120009	Stem washer
6A	40120401	Stem washer w/ nylon insert (pr)
7	40120548	Chrome handle kit (H&C)
	40120549	Chrome handle kit (H,C,D)
8	40120318	Metal handle screw kit (1)
9	40120431	Transfer valve assembly
10	40120544	Seat
11	40120432	Transfer valve seal kit
12	40120007	Transfer valve seat
13	40120433	Acrylic handle kit (H&C)
	40120435	Acrylic handle kit (H,C,D)



AMERICAN STANDARD COLONY

ITEM	PART #	DESCRIPTION
1	NLA	Spout escutcheon
2	40120132	Union coupling 1/2" pipe
3	40120159	Union coupling 5/8" O.D.
4	01897250	Coupling nut
5	40120189	Seat - brass
	40120429	Seat - monel
6	50100011	Seat washer screw
7	40110094	Seat washer
8	40120681	Seat washer retainer
9	40120258	Wave washer
10	40120460	Packing washer
11	40120464	Packing
12	40120465	Seal
13	40120682	Fibre Washer
14	40120460	Packing washer
15		Valve stem (short) - see item 32
16		Stem bonnet - see item 32
17	40120198	Stem sleeve - long
18	40120416	Stem sleeve - short
19	40120237	Escutcheon (item 20 not required)
20	NLA	Escutcheon ring
21	40120683	Handle
22	40120684	Hot handle
	40120685	Cold handle
	40120686	Diverter handle
23	50100009	Handle screw
24	50100033	Handle screw
25	40120424	Cold index
	40120425	Hot index
	40120423	Plain index
26	50100011	Screw for disc
27	01893840	Transfer disc
28	40950049	O-Ring
29		Transfer valve bushing
30		Transfer valve stem - see item 33
31		Transfer valve stem - see item 33
32	43041104	Long stem assembly
	40170005	Short stem assembly (most common)
33	43041501	Long diverter stem S/A
	40170019	Short diverter stem S/A (most common)
34	40120338	Acrylic handle kit - hot & cold
	40120339	Acrylic handle kit - hot, cold & diverter
35	01896111	Hot index
	01896110	Cold index
	01896112	Arrow index
36	40120340	Handle screw
37	40120151	Washer



COMPLETE REBUILD KIT
01801000
 includes items 5, 18, 19, 22, & 24

STEM REPAIR KIT
 ITEMS 14 THRU 20
 PART # 40120687

DIVERTER STEM KIT
 ITEMS 17-20, 29-31
 PART # 01511010



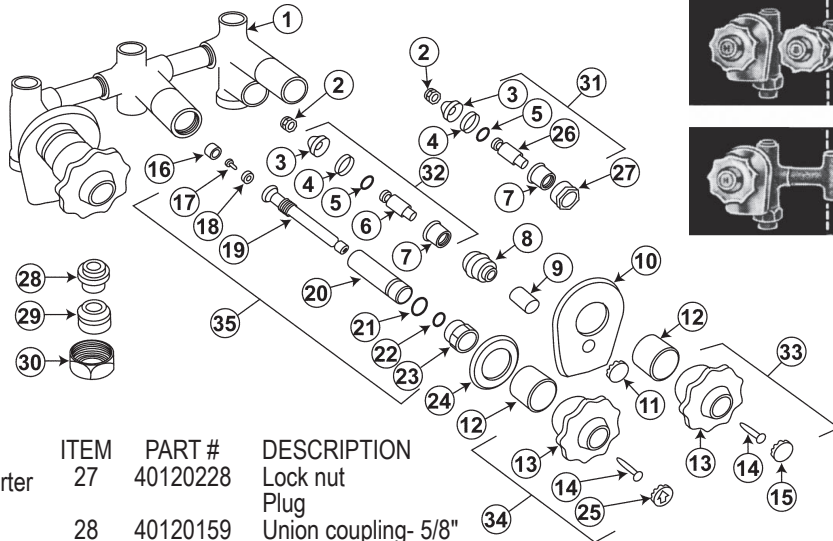
HOUSTON 800/392-5066 ORLANDO 800/327-3022 GREENVILLE 800/476-2212

LOOK FOR US ON THE WEB AT: www.TMSSouth.com

FAUCET REPAIR

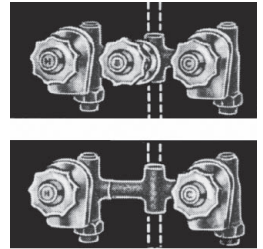
AMERICAN STANDARD HERITAGE W/ INTEGRAL STOP

ITEM	PART #	DESCRIPTION
1		Valve body
2	40120000	Seat - brass
	40120222	Seat - monel
3	40120005	Aquaseal diaphragm
4	40121078	Stop ring
5	40120272	Friction ring
6		Stem - see item 32
7	01893860	Stem nut
8	40120228	Lock nut
9	40120527	Plastic tube
10	40110109	Escutcheon
11	40120423	Plain index button
12	40120289	Escutcheon holder
13		Handle
14	40120331	Handle screw
15	40120313	Cold index
	40120316	Hot index
16	42000150	Transfer valve seat diverter
17	50100011	Seat washer screw
18	40110094	Seat washer
19		Transfer stem - see 35
20		Sleeve - see item 35
21	40950026	O-Ring
22	40950023	O-Ring
23	40120248	Lock nut
24	40120187	Escutcheon
25	40120315	Arrow index
26		Stem - see item 31



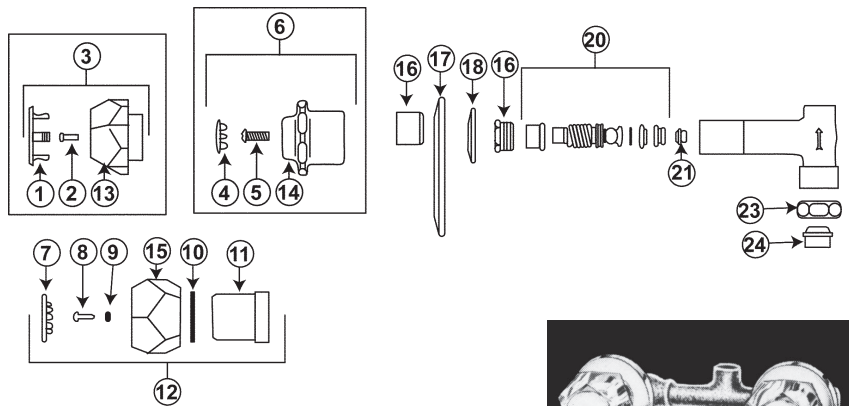
ITEM	PART #	DESCRIPTION
27	40120228	Lock nut
		Plug
28	40120159	Union coupling- 5/8"
29	40120132	Union coupling- 1/2"
30	40120134	Coupling nut
31	40120002	Stem assembly
32	01893856	Stem assembly
33	40120028	Cold handle S/A
	40120355	Hot handle S/A
	40120461	Old Style large handle hot
	40120462	Old Style large handle cold

34	40120234	Handle S/A
	40120463	Old Style large handle - diverter
35	40120347	Transfer valve - diverter

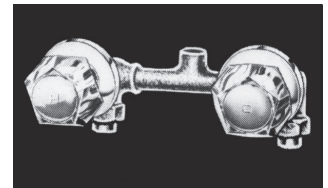


AMERICAN STANDARD HERITAGE SERIES 1101, 1200, 1300, & 1460

ITEM	PART #	DESCRIPTION
1	40120688	Cold index
	40120689	Hot index
2	40120297	Handle screw
3	40120350	Chrome handles S/A (pair)
4	40120313	Cold index
	40120316	Hot index
	40120315	Arrow index
5	40120297	Handle screw
6	40120028	Cold handle S/A
	40120355	Hot handle S/A
7	40120690	Cold index
	40120691	Hot index
8	40120164	Handle screw
9	01893530	Seal
10	01893531	Seal
11	01893552	Crystalline handle insert
12	40120352	Crystalline handle S/A (pair)
13	01893559	Chrome handle
14		Crown handle - see item 6
15		Crystalline handle - see item 12
16	40120289	Escutcheon holder
17	40110109	Escutcheon (for integral stops)
18	40120187	Escutcheon
19	40120228	Locknut
20	40120002	Stem S/A



ITEM	PART #	DESCRIPTION
21	40120000	Seat - brass
	40120222	Seat - monel
22		Plug
23	40120134	Coupling nut
24	40120132	Union swivel - 1/2" IPS
	40120159	Union swivel - 5/8" OD



**TOTAL
MAINTENANCE
SOLUTIONS**

HOUSTON
800/392-5066

ORLANDO
800/327-3022

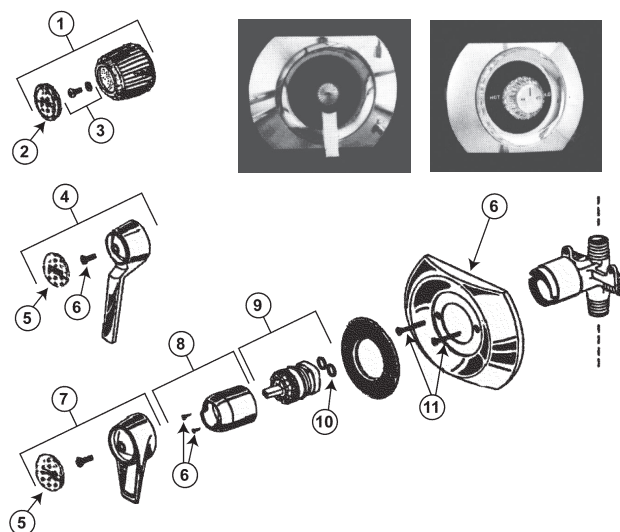
GREENVILLE
800/476-2212

LOOK FOR US ON THE WEB AT: www.TMSouth.com

FAUCET REPAIR

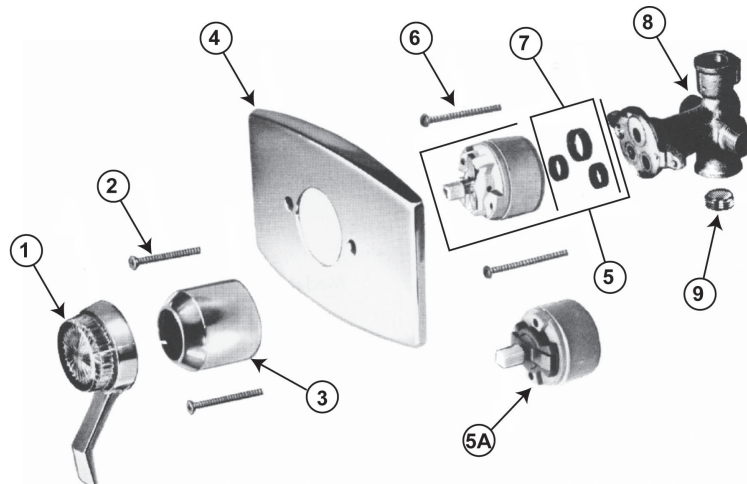
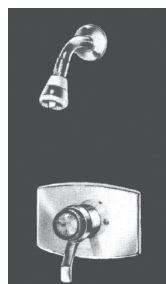
AMERICAN STANDARD RELIANT – 1495 SERIES

ITEM	PART#	DESCRIPTION
1	40120692	Knob handle kit - shown
	01895824	Knob handle kit (old style)
2	01895823	Knob index
3		Screw kit
4	40120408	Lever handle kit
5	40121079	Dome index
6	40120693	Handle screw
7	40120694	Loop handle kit
8	40120695	Cap kit
9	40120207	Valve rebuild kit
10	40120696	O-rings
11	40120697	Escutcheon screws
	40120541	Escutcheon kit w/screws



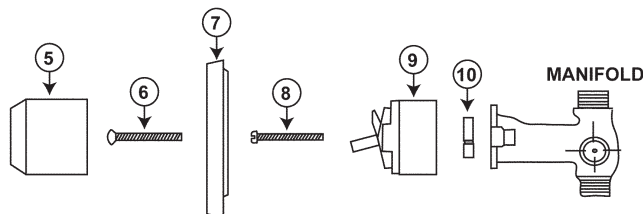
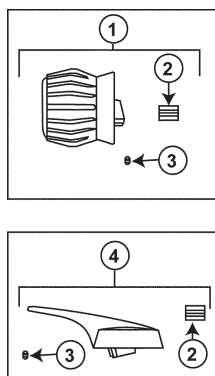
AMERICAN STANDARD AQUARIAN 1390 SERIES

ITEM	PART #	DESCRIPTION
1	40120225	Handle S/A
2	40120452	Screw
3	40120698	Escutcheon cap
4	40120699	Escutcheon
5	40120700	Cartridge (8 gal.) – 2-1/8" dia.
5A	40120439	Cartridge (4 gal.) 1-13/16" dia.
6	40120436	Cartridge screws
7	40120430	Cartridge seal kit
8	NLA	Manifold
9	40900968	Plug



AMERICAN STANDARD AQUARIAN 1490 SERIES

ITEM	PART #	DESCRIPTION
1	40120594	Knob handle S/A
2		Handle Insert (available only in kit 01892610)
3	40120385	Handle set screw
4	40120701	Lever Handle S/A
5	40120698	Escutcheon cap - chrome
6	40120452	Escutcheon screw
7	40120699	Escutcheon
8	40120436	Cartridge screw
9	40120439	Cartridge
10	40120430	Cartridge seal kit



**TOTAL
MAINTENANCE
SOLUTIONS**

HOUSTON
800/392-5066

ORLANDO
800/327-3022

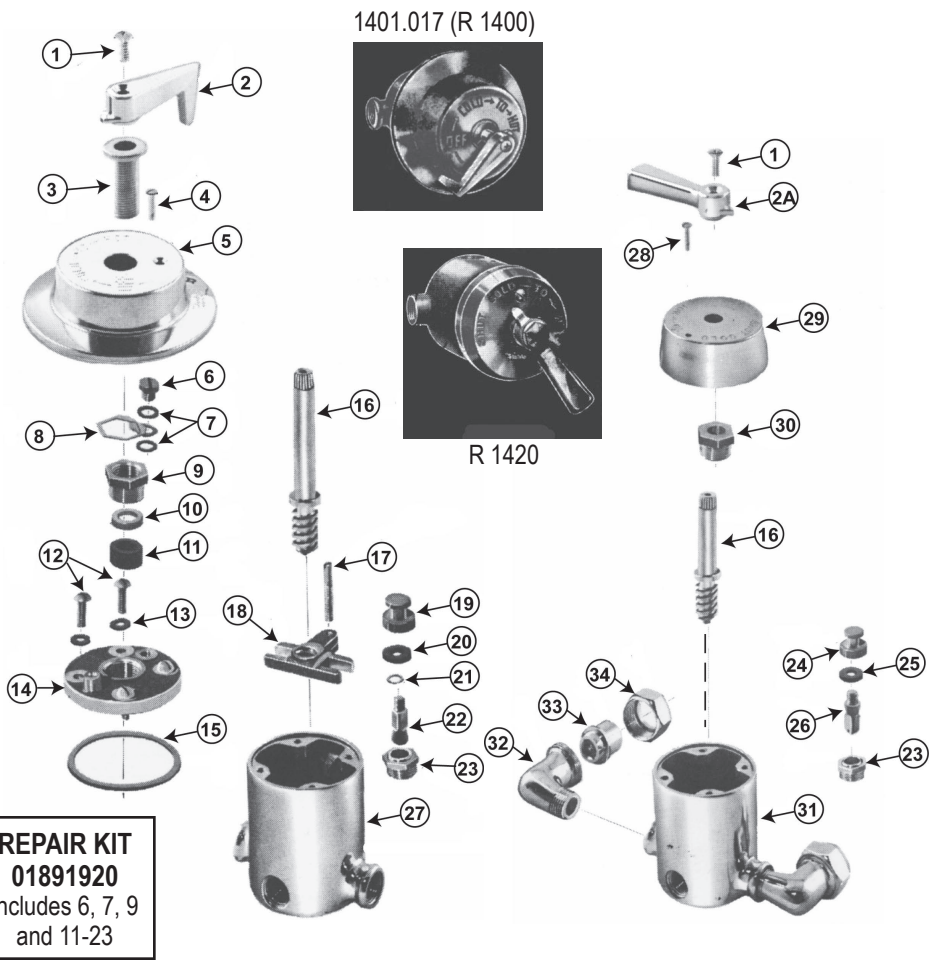
GREENVILLE
800/476-2212

LOOK FOR US ON THE WEB AT: www.TMSouth.com

FAUCET REPAIR

AMERICAN STANDARD MIXING VALVE

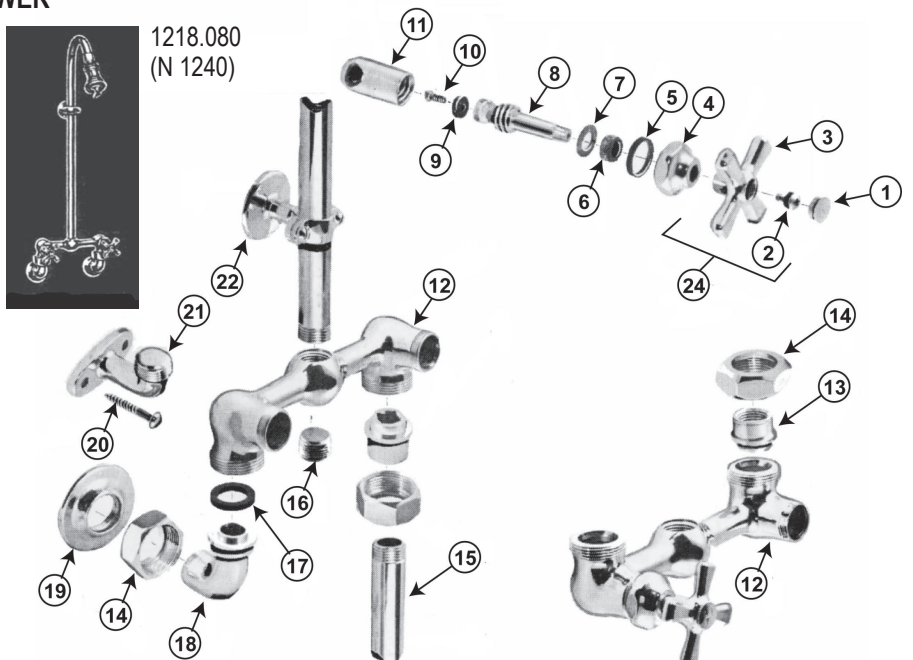
ITEM	PART #	DESCRIPTION
1	40120325	Handle screw
2		Handles - see 2A
2A	40120310	Handle
3		Dial plate holder
4	40120288	Dial plate screw
5	40120202	Dial plate
6	40120286	Regulating screw
7	40120321	Screw cap washer
8	NLA	Packing nut holder
9	40120606	Packing nut
10	40120373	Packing gland
11	40120172	Stem packing
12	40120156	Cap screw
	40120169	Cap screw (R1400-3/4")
13	40120322	Cap screw washer
	40120323	Cap screw washer (R1400-3/4")
14	40120702	Cap
15	40120703	Cap washer
16	40120591	Stem
17	40120593	Regulating screw
18	40120704	Yoke
19	40120327	Seat washer holder - cold
	40120345	Seat washer holder (R1400-3/4")
20	40120181	Washer
21	40120563	Pin washer
22	40120324	Choke - cold
23	40120485	Seat
	40120592	Seat (R1400-3/4")
24	40140328	Seat washer holder - hot
25	40120148	Seat washer - hot
26	40120326	Choke - hot
27		Body
28	40120302	Dial plate screw
29	40120705	Dial plate
30	40120328	Packing nut
31		Body
32		Ell
33		Coupling
34	40120133	Coupling nut



REPAIR KIT
01891920
 includes 6, 7, 9
 and 11-23

AMERICAN STANDARD EXPOSED SHOWER

ITEM	PART #	DESCRIPTION
1	40120123	Cold index
	40120124	Hot index
2	40120125	Handle screw
3		Handle - see item 24
4	40120126	Cap
5	40120127	Cap washer
6	40120128	Packing
7	40120129	Washer
8	40120076	Stem w/washer & screw
9	40110094	Seat washer
10	40120131	Seat washer screw
11	40120040	Re-Nu sleeve
12		Body
13	40120132	Coupling (N1240, N1241)
14	40120133	Coupling nut (N1240, N1241)
	40120134	Coupling nut (N1261)
15		Supply pipe
16		Plug
17	40120135	Ell washer
18		Supply ell
19		Supply ell flange
20		Wall support screw
21		Wall support
22		Wall bracket for riser
23		Gooseneck riser
24	40120136	Cold handle S/A
	40120137	Hot handle S/A



**TOTAL
 MAINTENANCE
 SOLUTIONS**

HOUSTON
 800/392-5066

ORLANDO
 800/327-3022

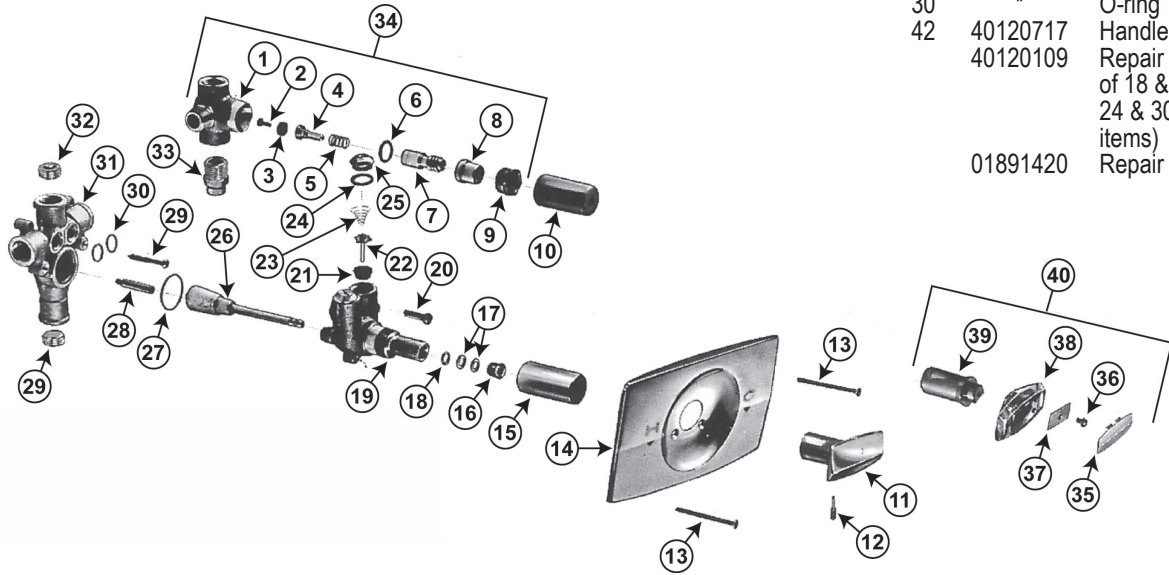
GREENVILLE
 800/476-2212

LOOK FOR US ON THE WEB AT: www.TMSouth.com

FAUCET REPAIR

AMERICAN STANDARD PUSH-PULL BATH & SHOWER

ITEM	PART #	DESCRIPTION	ITEM	PART #	DESCRIPTION	ITEM	PART #	DESCRIPTION
2		Seat washer screw	12	40120707	Handle screw	21	40120711*	Seat
3		Seat washer	13	40120708	Escutcheon screw	22	40120712*	Stem
4		Lower stem w/washer & screw	14	40120709	Escutcheon w/gasket	23	40120713*	Conical spring
5		Spring	15	40120598	Escutcheon sleeve	24	40120714*	Gasket
6	40950035	O-Ring	16	40120597	Adjusting nut	25	40120715	Valve plug
10	40120706	Guard tube	17	40120596	Packing *	26	40120537	Cam & Shaft S/A
11	40120599	Handle w/screw	18	40120710*	Adapter	27	40120716*	O-ring
						30	*	O-ring
						42	40120717	Handle S/A - Acrylic
							40120109	Repair kit - contains 1
								of 18 & 27, 2 of 17,21-
								24 & 30 (* repair kit
								items)
								01891420 Repair kit for lavatory



NOTES:



HOUSTON
800/392-5066

ORLANDO
800/327-3022

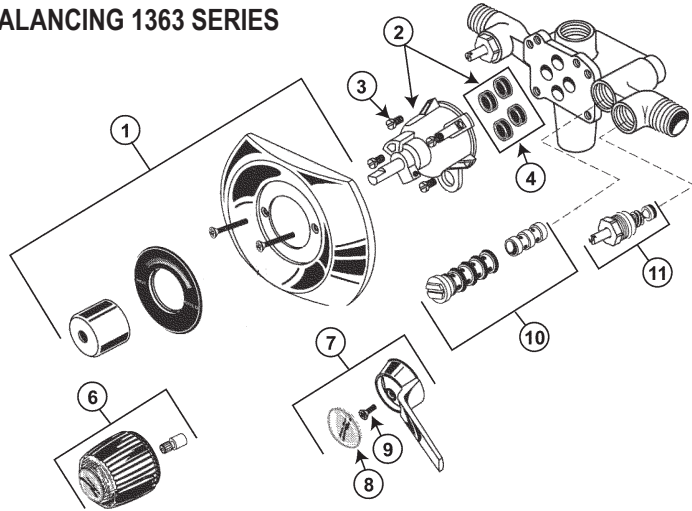
GREENVILLE
800/476-2212

LOOK FOR US ON THE WEB AT: www.TMSouth.com

FAUCET REPAIR

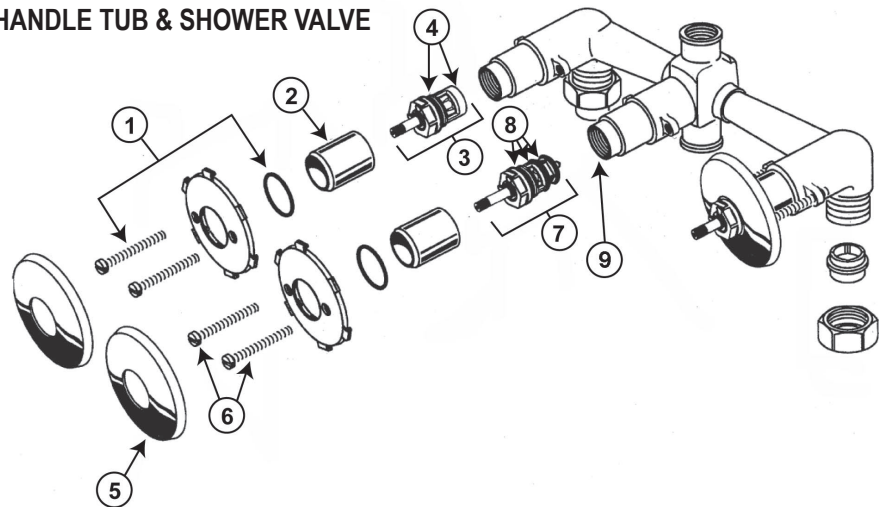
AMERICAN STANDARD ULTRA-MIX PRESSURE BALANCING 1363 SERIES

ITEM	PART #	DESCRIPTION
1	40120718	Escutcheon kit - chrome
2	40120482	Cartridge kit w/ seals
3	40120719	Cartridge screws (4)
4	40120720	Cartridge seals (4)
5	40120721	Escutcheon screws (2)
6	40120722	Acrylic knob kit
7	40120723	Lever handle kit
8	01895020	Dome index
9		Handle screw
10	40130159	Balancing spool kit
11	01895024	Check stop kit
	40120540	Handle & index



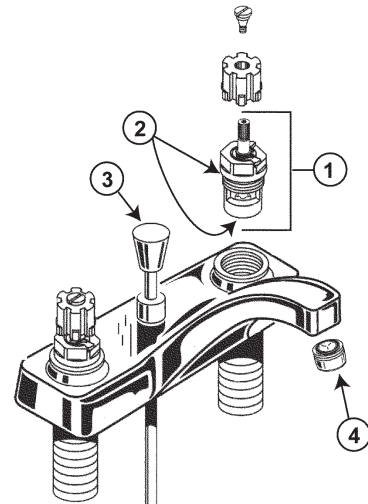
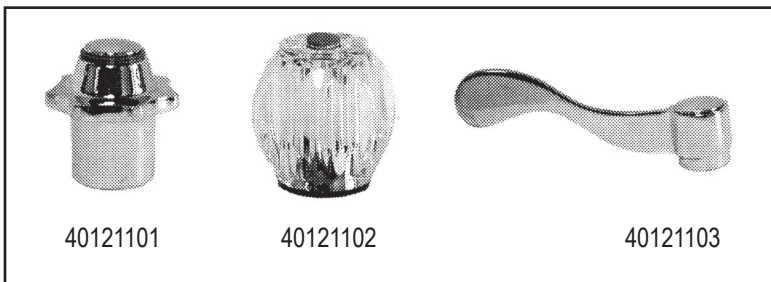
AMERICAN STANDARD HERITAGE 2 & 3 HANDLE TUB & SHOWER VALVE

ITEM	PART #	DESCRIPTION
1	40120726	Fixation plate kit
2	40120727	Valve cover
3	40120006	Cartridge
4	40121080	Cartridge seal kit
5	40120728	Escutcheon (1)
6		Mounting screws
7	01895030	Transfer valve kit
8	01895032	Transfer valve seal kit
9	40120729	Transfer valve seat kit



AMERICAN STANDARD HERITAGE 7400 SERIES

ITEM	PART #	DESCRIPTION
1	40120006	Cartridge (H&C)
2	40121080	Cartridge seal kit
3	01893600	Pop-up rod - chrome
4	40110209	Aerator



**TOTAL
MAINTENANCE
SOLUTIONS**

HOUSTON
800/392-5066

ORLANDO
800/327-3022

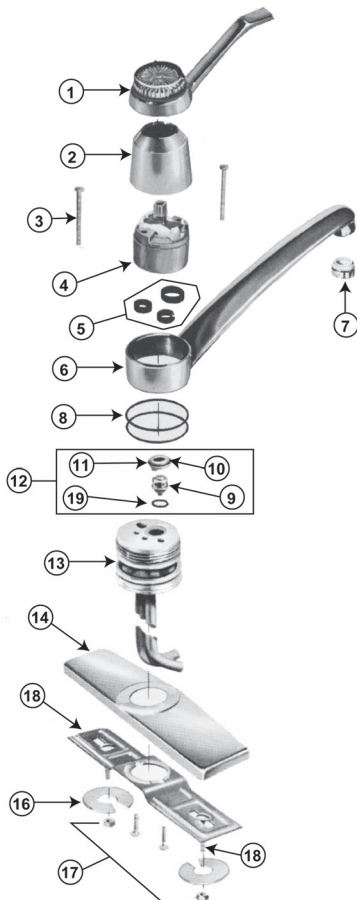
GREENVILLE
800/476-2212

LOOK FOR US ON THE WEB AT: www.TMSouth.com

FAUCET REPAIR

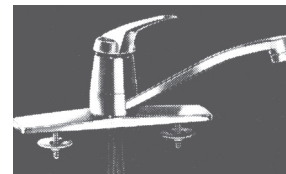
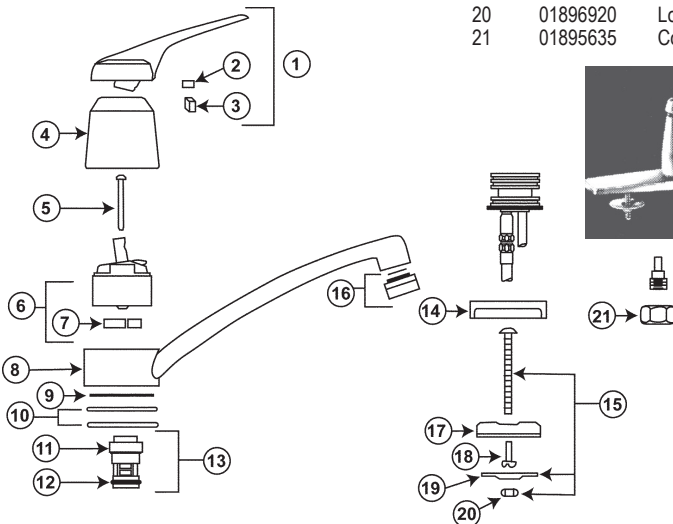
AMERICAN STANDARD AQUARIAN SERIES 4179

ITEM	PART #	DESCRIPTION
1	01894070	Handle
2	40120437	Escutcheon cap
3	40120436	Screw
4	40120439	Cartridge
5	40120430	Cartridge seal set
6	40120731	Spout assembly
7	40110209	Aerator
8	41001335	O-Ring
9	45732022	Diverter
10	40950038	O-Ring
11	40120438	Retainer
12	40120434	Diverter & retainer set
13		Manifold
14		Escutcheon
15		Mounting plate
16	01896921	Slotted washer
17	01893920	Nut
18	NLA	Carriage bolt
19	40120295	O-Ring



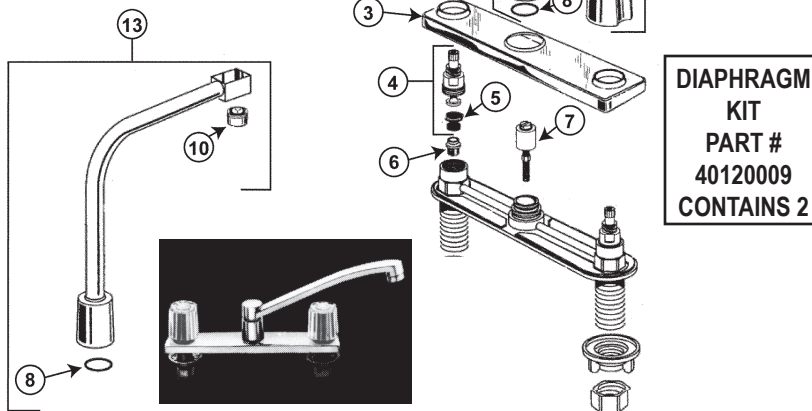
AMERICAN STANDARD AQUARIAN SERIES 4200 & 4201

ITEM	PART #	DESCRIPTION	ITEM	PART #	DESCRIPTION
1	40120393	Lever handle	10	40120387	Spout o-ring
2	40120385	Set screw	11	40120795	O-Ring
3	40120392	Insert	12	40120546	O-Ring
4	40120388	Escutcheon cap	13	40120542	Diverter
5	40120436	Cartridge screw	14	40120390	Escutcheon
6	40120439	Cartridge	15	01893340	Mounting kit
7	40120430	Cartridge seal set	16	40110209	Aerator
8	40120431	Spout	17	40120389	Escutcheon plate
9	40120386	Friction ring	18	01896919	Manifold screw
			19	01896921	Washer
			20	01896920	Locknut
			21	01895635	Coupling nut



AMERICAN STANDARD CADET KITCHEN

ITEM	PART #	DESCRIPTION	ITEM	PART #	DESCRIPTION
1	40120680	Hot & cold index	11	40120481	Spout assembly
2	40120404	Acrylic handle set (H&C)	12	40120762	Metal handle kit
3	40120732	Escutcheon	13		Hi-Flow spout kit
4	40120399	Stem assembly			
5	40120009	Stem washer			
6	40120733	Seat			
7	40120403	Diverter			
8	40120734	Spout o-ring			
9	40120405	Chrome handles S/A			
10	40110209	Aerator			



**DIAPHRAGM
KIT
PART #
40120009
CONTAINS 2**



**TOTAL
MAINTENANCE
SOLUTIONS**

HOUSTON
800/392-5066

ORLANDO
800/327-3022

GREENVILLE
800/476-2212

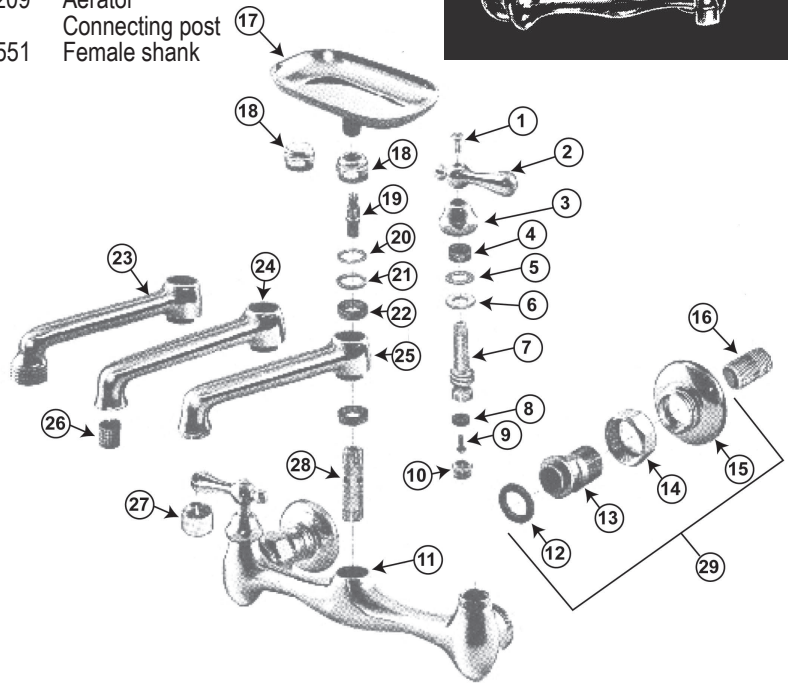
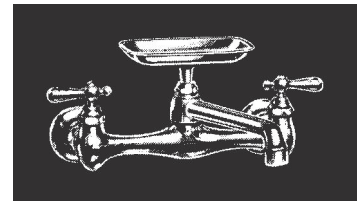
LOOK FOR US ON THE WEB AT: www.TMSSouth.com

FAUCET REPAIR

AMERICAN STANDARD EXPOSED WALL MOUNT FAUCET

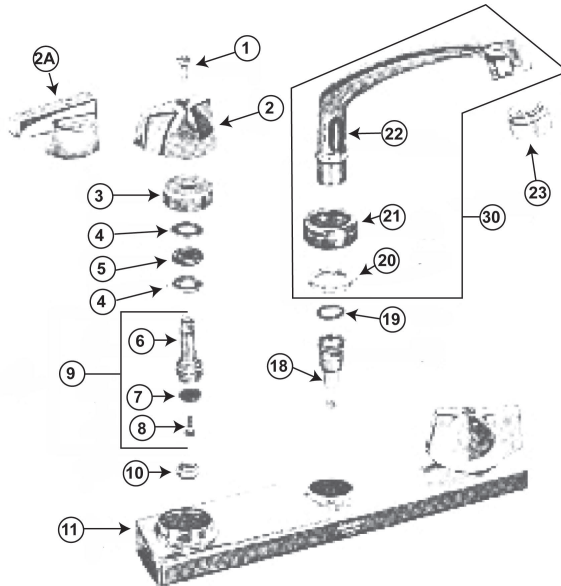
ITEM	PART #	DESCRIPTION
1	50100000	Handle screw
2	40120305	Handle – hot
	40120306	Handle – cold
3	40120559	Cap CP
4	40120128	Stem packing
5	40120129	Washer
6	40120335	Cap Washer
7	40120022	Stem – cold
	40120076	Stem – hot
8	40110118	Seat washer
9	50100010	Seat washer screw
10	40120196	Seat
11		Body w/seats
12	40120135	Coupling washer
13	01894065	Female shank
14	40120312	Coupling nut
15	01890595	Adjustable flange
16	40902178	Close nipple
17	01890382	Soap dish
18	01894067	Spout packing nut (soap dish)
	01894068	Spout packing nut
19		Soap dish nut (NLA)
20	40120555	Lock washer
21	40120170	Space washer
22	40120180	Spout packing
23		Spout hose end
24		Spout plain end
25		Spout w/ aerator

ITEM	PART #	DESCRIPTION
26	40120375	Stream regulator (hose end spt.)
27	40110209	Aerator
28		Connecting post
29	40120551	Female shank

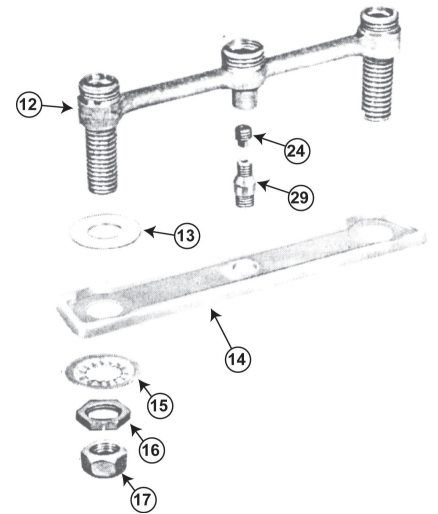
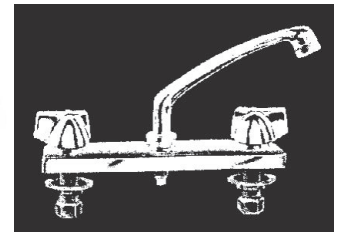


AMERICAN STANDARD COLONY

ITEM	PART #	DESCRIPTION
1	50100030	Handle screw
2	40120417	Handle – hot
	40120418	Handle – cold
2A	40120735	Handle – hot
	40120736	Handle – cold
3	40120476	Packing nut
4	40120460	Washer
5	40120473	Packing
6		Stem – see Item 9
7	40110094	Washer
8	50100011	Screw
9	43041002	Stem – hot
	43041001	Stem – cold
10	40120189	Seat – brass flat top
11	NLA	Escutcheon
12	NLA	Body
13	NLA	Washer
14	NLA	Mounting Gasket
15	40800529	Washer
16	51000048	Jamb nut
	40800598	Jamb nut – brass
17	40800454	Swivel nut
18	40120440	Diverter
19	40950029	Spout O-ring
20	40120419	Lock ring
21	01895979	Spout nut
22	NLA	Spout
23	40110209	Aerator



ITEM	PART #	DESCRIPTION
24		Pipe Plug
25	40110142	Sprayhead S/A (not shown)
26	40130680	Spray holder (not shown)
28	45731006	Hose S/A (not shown)
29	NLA	Hose Connection
30	40120738	Spout S/A



**TOTAL
MAINTENANCE
SOLUTIONS**

HOUSTON
800/392-5066

ORLANDO
800/327-3022

GREENVILLE
800/476-2212

LOOK FOR US ON THE WEB AT: www.TMSSouth.com

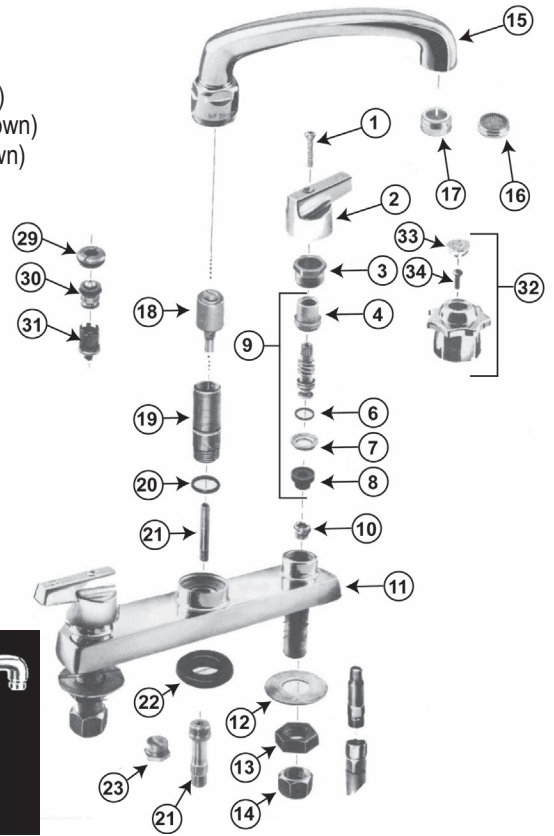
FAUCET REPAIR

AMERICAN STANDARD HERITAGE KITCHEN FAUCET

ITEM	PART #	DESCRIPTION
1	50100002	Handle screw
2	40120456	Handle - cold
	40120457	Handle - hot
3	40120228	Lock nut
4		Stem nut
6	40120272	Friction ring
7	40121078	Stop ring
8	40120005	Diaphragm
9	40120002	Stem - hot
	40120018	Stem - cold
10	40120000	Seat - brass
	40120222	Seat - monel
11		Body
12	40120285	Friction washer
13	40120165	Lock nut
14	01895635	Coupling nut
15	40120356	Spout w/aerator
16	40120581	End trim
17	40110209	Aerator
18	45732010	Diverter
19	40120319	Post
20	40950029	O-Ring
21	40120299	Hose connection tube
22		Gasket (NLA)
23		Body plug
24		Hose connector

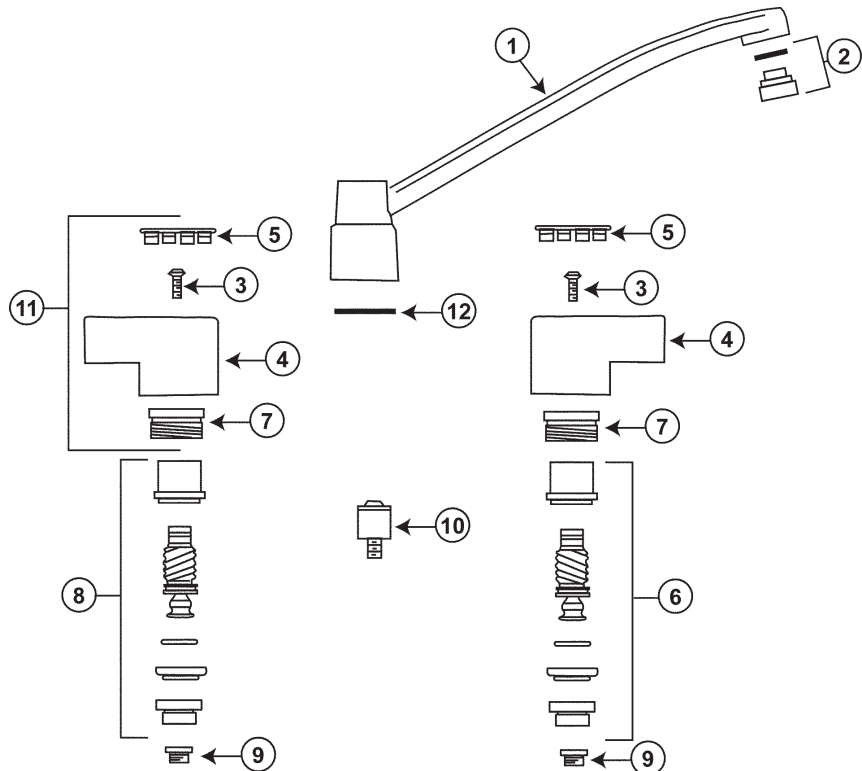
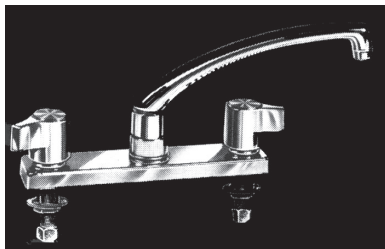
ITEM	PART #	DESCRIPTION
25	45731006	Hose S/A (not shown)
27	40130680	Spray holder (not shown)
28	40110142	Spray head (not shown)
29	40120291	Cap w/washer
30	40130603	Auto spray - upper
31	40130604	Auto spray - lower
32	40120353	Handle-cold
	40120354	Handle-hot
33	40120317	Cold index
	40120316	Hot index
34	50100002	Handle screw

Round handle uses 2 - 40120002



AMERICAN STANDARD HERITAGE SERIES 4150 & 4152

ITEM	PART #	DESCRIPTION
1	40120402	Spout S/A
2	40110209	Aerator
3	40120297	Handle screw
4		Handle - see item 11
5	40120333	Index
6	40120018	Stem - cold
7	40120228	Lock nut
8	40120002	Stem - hot
9	40120000	Seat - brass
	40120222	Seat - monel
10	01894082	Diverter
11	40120348	Handle kit
17	40950036	O-Ring



**TOTAL
MAINTENANCE
SOLUTIONS**

HOUSTON
800/392-5066

ORLANDO
800/327-3022

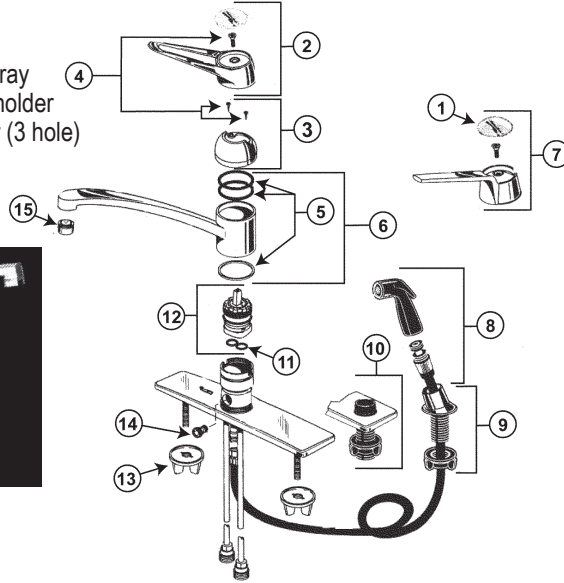
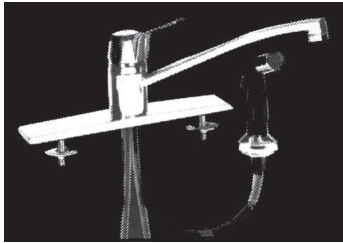
GREENVILLE
800/476-2212

LOOK FOR US ON THE WEB AT: www.TMSSouth.com

FAUCET REPAIR

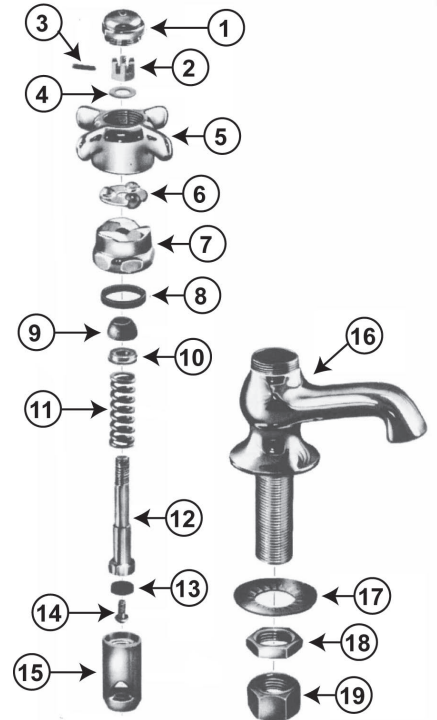
AMERICAN STANDARD RELIANT

ITEM	PART #	DESCRIPTION	ITEM	PART #	DESCRIPTION
1	40121079	Dome index	11	40120696	O-ring kit
2	01895118	Loop handle kit	12	40120407	Valve rebuild kit
3	40120739	Cap kit	13		Attachment nut
4	40120740	Screw kit	14	40120406	Diverter
5	40120395	Spout Seal Kit	15	40110209	Aerator
6	40120487	Spout kit			
7	40120741	Lever handle kit			
8	45731012	Hose and spray			
9	40130680	Spray hose holder			
10	40120742	Spray holder (3 hole)			



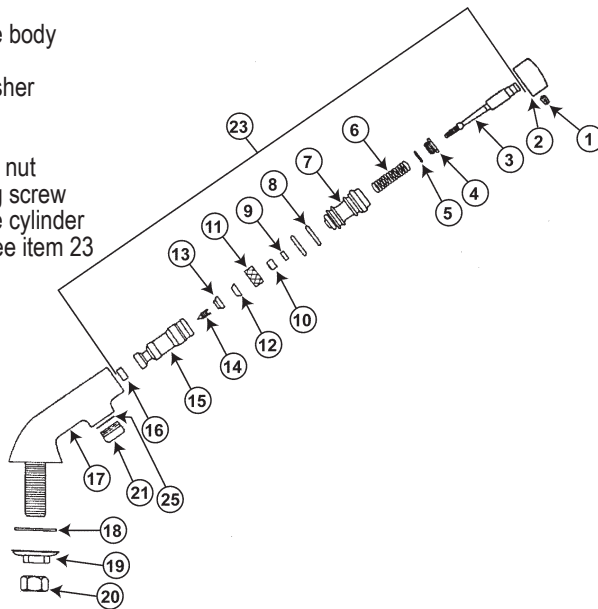
AMERICAN STANDARD SELF-CLOSE RE-NU

ITEM	PART #	DESCRIPTION
1	40120574	Button
2	40120298	Stem nut
3	40120280	Cotter pin
4	40120563	Pin washer
5	40120575	Handle
6	40120526	Ball race
7	40120560	Cap
8	40120127	Cap washer
9	40120154	Stem packing
10	40120374	Gland
11	40120307	Spring
12	40120448	Stem w/washer & screw
13	40120301	Seat washer
14	50100010	Seat washer screw
15	40120556	Re-Nu sleeve
16		Body
17	40120283	Friction washer
18	40120165	Lock nut
19	01895635	Slip joint nut
1-15	40120532	Self close unit - cold
1-15	40120533	Self close unit - hot



AMERICAN STANDARD AQUAMETER

ITEM	PART #	DESCRIPTION	ITEM	PART #	DESCRIPTION
1	40120571	Set screw	19	51000048	Lock nut
2	40120569	Knob	20	01895635	Coupling nut
3	40120568	Stem	21	40110166	V.P. aerator
4	40120565	Seal nut	23	40120536	Cartridge S/A
5	40120567	Seal S/A			
6	40120573	Spring			
7	40120743	Cartridge body			
8	40120147	O-Ring			
9-10	40120296	Seat washer			
11	40120570	Screen			
12	40120572	Cup seal			
13	40120744	Cup seal nut			
14		Adjusting screw			
15	40120745	Cartridge cylinder			
16	40120746	Filter - see item 23			
17		Body			
18	40800529	Friction washer			



TOTAL MAINTENANCE SOLUTIONS

HOUSTON
800/392-5066

ORLANDO
800/327-3022

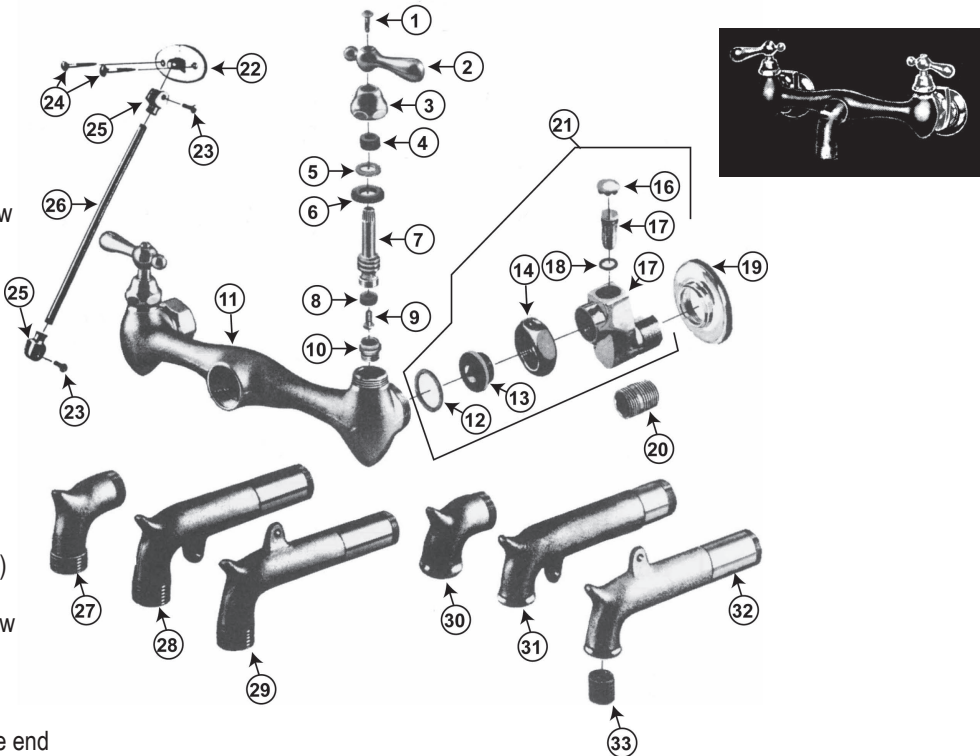
GREENVILLE
800/476-2212

LOOK FOR US ON THE WEB AT: www.TMSSouth.com

FAUCET REPAIR

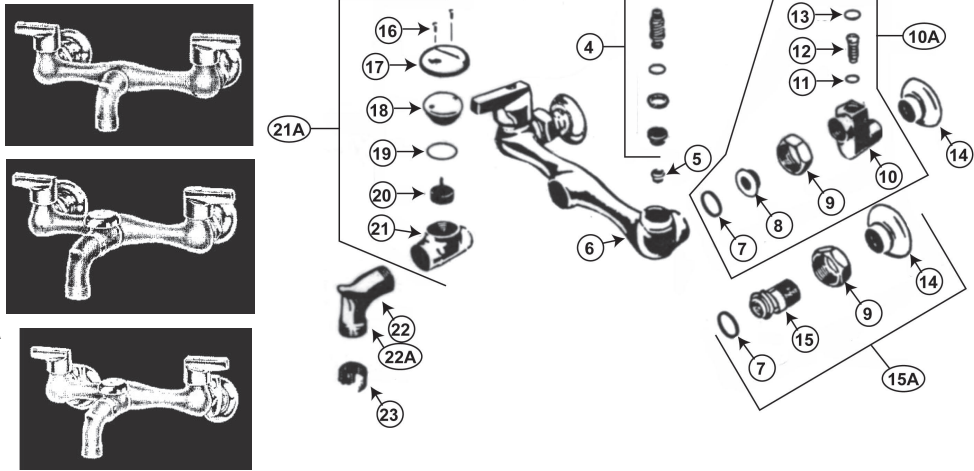
AMERICAN STANDARD SERVICE SINK FAUCET 8341 SERIES

ITEM	PART #	DESCRIPTION	ITEM	PART #	DESCRIPTION	ITEM	PART #	DESCRIPTION
1	50100000	Handle screw	28		Long spout - hose end	31		Long spout - plain end
2	40120305	Hot handle	29		Long spout - hose end	32		Long spout - plain end
3	40120306	Cold handle	30		Short spout - plain end	33	40120375	Stream regulator
4	40120559	Cap						
5	40120128	Stem packing						
6	40120129	Washer						
7	40120335	Cap washer						
8	40120022	Stem - cold						
9	40120076	Stem - hot						
10	40110118	Seat washer						
11	50100010	Seat washer screw						
12	40120196	Seat						
13	40120135	Body w/seats						
14	01894071	Coupling washer						
15	01894071	Collar						
16	40120312	Coupling nut						
17	01894011	Shank body						
18	40120423	Button - plain						
19	01894013	Regulating stem						
20	40950021	O-Ring						
21	01890595	Shank flange						
22	40902178	Close nipple						
23	01894017	Shank S/A (12-18)						
24		Brace plate						
25		Brace holder screw						
26		Wood screw						
27		Brace holder						
28		Brace tube						
29	40120377	Short spout - hose end						



AMERICAN STANDARD SERVICE SINK FAUCET 8340 & 8341 SERIES

ITEM	PART #	DESCRIPTION	ITEM	PART #	DESCRIPTION
1	40120287	Handle screw	16-20	40110057	Backflow repair kit
2	40120458	Cold handle	21	NLA	Body
3	40120459	Hot handle	21A		Backflow S/A
4	40120228	Lock nut	22	40120377	Spout
5	40120018	Stem - cold	22A	40120378	Spout stamped 8340
6	40120002	Stem - hot	23	40120375	Stream regulator
7	40120222	Seat, monel			
8	40120000	Brass seat			
9	NLA	Body			
10	40120135	Coupling washer			
11	01894071	Collar			
12	40120312	Coupling nut			
13	01894011	Shank body			
14	01894017	Shank S/A			
15	40950021	O-Ring			
16	01894013	Regulating stem			
17	40120423	Button plain			
18	01890595	Shank flange			
19	01894065	Female shank			
20	40120551	Female shank S/A			
21	40120587	Screw			
22	40120588	Cover			
23	40120586	Cap			
24	40950039	O-Ring			
25	40110039	Float			



**TOTAL
MAINTENANCE
SOLUTIONS**

HOUSTON

800/392-5066

ORLANDO

800/327-3022

GREENVILLE

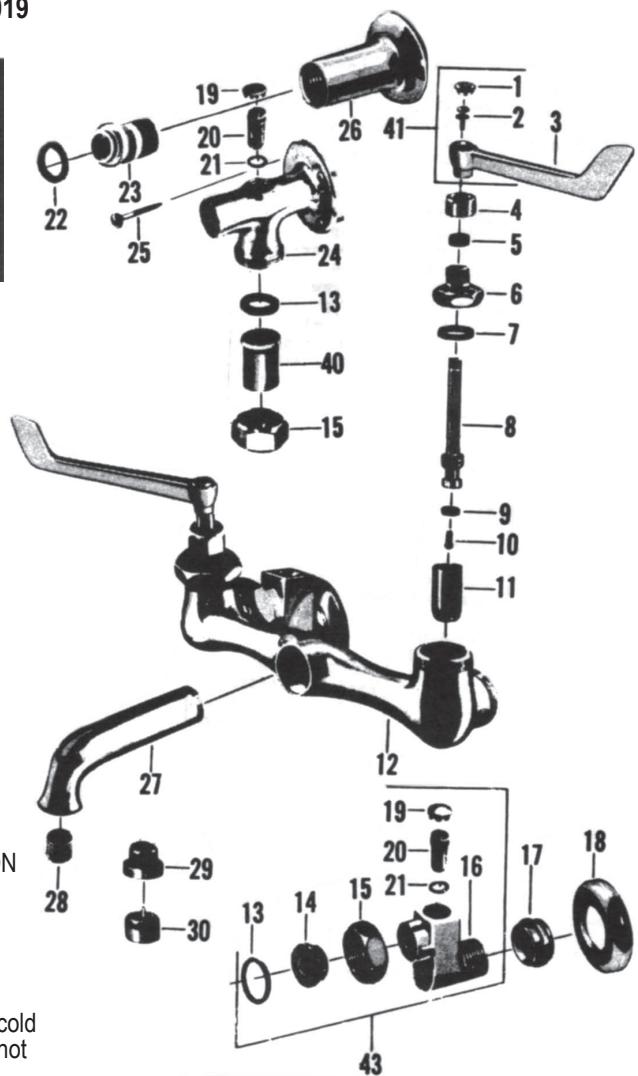
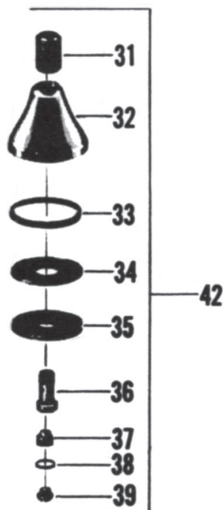
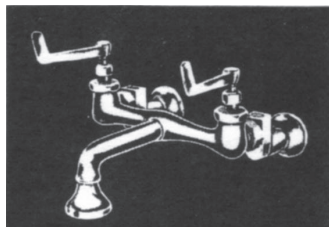
800/476-2212

LOOK FOR US ON THE WEB AT: www.TMSouth.com

FAUCET REPAIR

AMERICAN STANDARD RE-NU SERIES 7570.021, 7571.011, 7572.019

ITEM	PART #	DESCRIPTION
1	40120749	Hot index
	40120270	Cold index
2	40120125	Handle screw
3	01894006	Handle
4	40120583	Stuffing nut
5	40120128	Stem packing
6	01894007	Stuffing box cap
7	01894008	Cap washer
8	43041056	Stem w/washer R.H.
	43041055	Stem w/washer L.H.
9	40700145	Seat washer
10	40120131	Seat washer screw
11	43041126	Re-Nu sleeve R.H.
	43041127	Re-Nu sleeve L.H.
12		Body
13	40120135	Coupling washer
14	01894071	Collar
15	40120312	Coupling nut
16	01894011	Shank body
17	01894015	Retaining nut
18	01894016	Escutcheon
19	40120423	Button - plain
20	01894013	Regulating stem
21	40950021	O-Ring
22	40120135	Coupling washer
23	01894065	Female shank
24	NLA	Tee
25	01894073	Screw
26	01894074	Shank extension
27		Spout
28	40120375	Stream regulator
29		Aerator adapter
30	40110209	Aerator
31	40900971	Close nipple
32	NLA	Spray body
33	NLA	Face washer
34	NLA	Screen
35		Spray face
36		Bolt

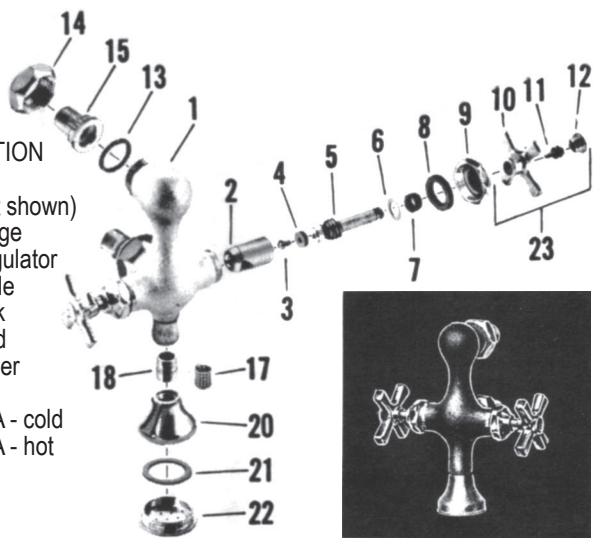


ITEM	PART #	DESCRIPTION
37	01894077	Regulating screw
38	40120321	Washer
39		Cap
40		Swivel
41	01894078	Handle S/A - cold
	01894079	Handle S/A - hot
42	01894081	Spray S/A
43	01894017	Shank S/A

AMERICAN STANDARD RE-NU DOUBLE FAUCET

ITEM	PART #	DESCRIPTION
1		Body
1A		Body
2	40120040	Re-Nu sleeve (hot or cold)
3	50100010	Seat washer screw
4	40110094	Seat washer
5	43041032	Stem w/washer & screw
6	40120129	Brass washer
7	40120128	Stem packing
8	40120127	Cap washer
9	40120557	Cap
10		Handle (see item 23)
11	40120125	Handle screw
12	40120123	Button - cold
12A	40120124	Button - hot
13	40120135	Coupling washer
14	40120312	Coupling nut

ITEM	PART #	DESCRIPTION
15	40120577	Shank
15A	40120550	Shank (not shown)
16	01890595	Shank flange
17	40120375	Stream regulator
18	01895802	Close nipple
19	01890513	Gooseneck
20	01895611	Spray head
21	40120160	Face washer
22	01895612	Spray face
23	40120136	Handle S/A - cold
	40120137	Handle S/A - hot
24	40120550	Shank S/A



TOTAL MAINTENANCE SOLUTIONS

HOUSTON
800/392-5066

ORLANDO
800/327-3022

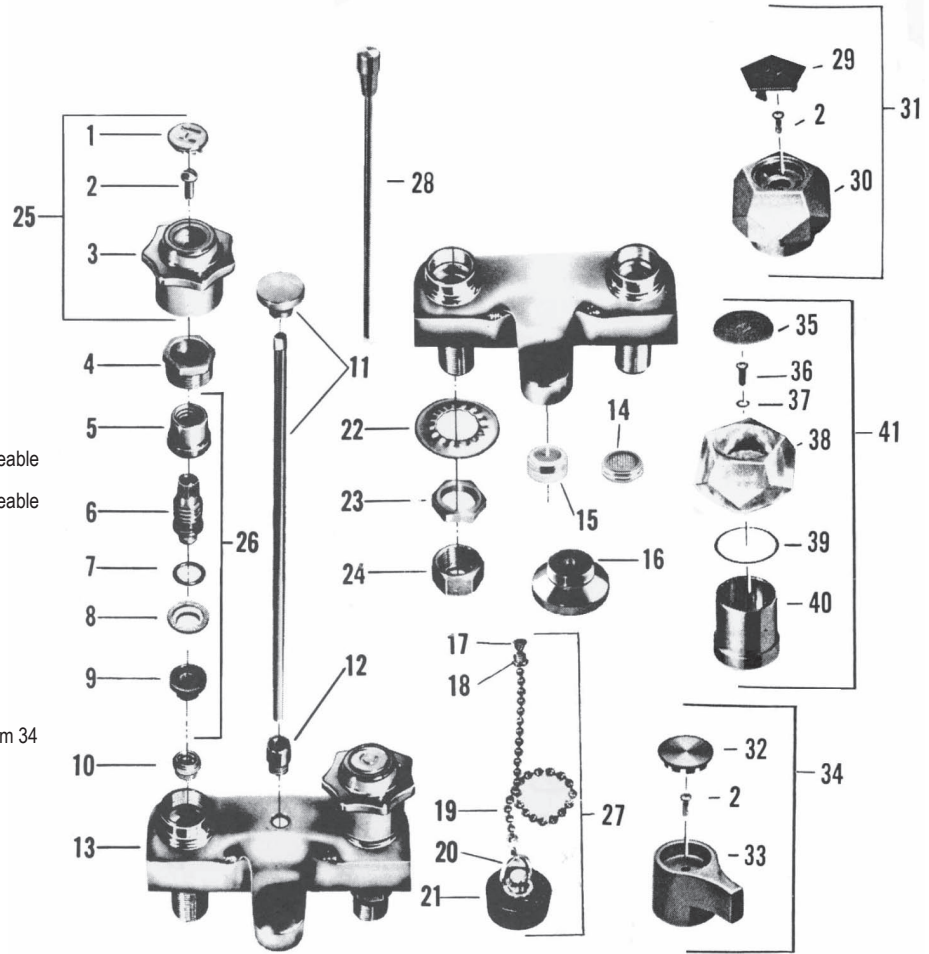
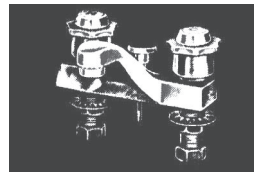
GREENVILLE
800/476-2212

LOOK FOR US ON THE WEB AT: www.TMSSouth.com

FAUCET REPAIR

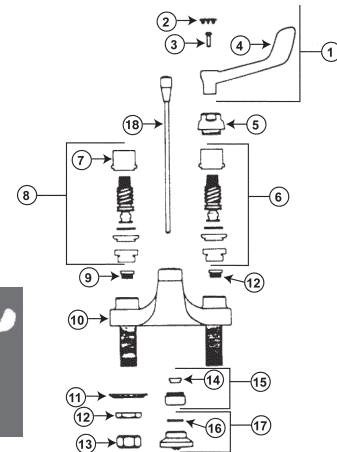
AMERICAN STANDARD HERITAGE

ITEM	PART #	DESCRIPTION
1	40120313	Cold index
	40120316	Hot index
2	50100002	Handle screw
3		Handle (see item 25)
4	40120228	Locknut
5	01893860	Stem nut
6		Stem (see item 26)
7	40950106	Friction ring
8	40121078	Stop ring
9	40120005	Aquaseal diaphragm
10	40120000	Seat - brass
	40120222	Seat - monel
11	01896108	Lift rod w/knob
12	01895654	Lift rod guide
13		Body
14	40120581	End trim
15	40110209	Aerator
16	40120346	Spray head S/A
17	01895410	Sleeve for chain
18	01895675	Chain stay nut
19	40800588	Chain
20	40800592	Link
21	40800619	Rubber stopper
22	40800529	Friction washer
23	51000048	Lock nut
24	01895635	Coupling nut
25	40120353	Handle S/A - cold
	40120354	Handle S/A - hot
26	40120002	Stem less lock nut
26A	40120019	Washer type stem interchangeable with Aquaseal - cold
	40120003	Washer type stem interchangeable with Aquaseal - hot
27	01895481	Chain & stopper
28	01893600	Pull rod
29	40120747	Cold index
	40120748	Hot index
30		Chrome handle - see item 31
31	40120349	Chrome handle S/A Hot & Cold
32	01893580	Index kit (hot & cold)
	40120018	Cold stem w/ 34 handle
33		Chrome lever handle - see item 34
34	40120348	Lever handle S/A (hot & cold)
35	01893538	Cold index
	01893539	Hot index
36	40120318	Handle screw
37	01893530	Seal
38	01897025	Crystalline handle
39	01897020	Seal
40	NLA	Handle insert
41	40120351	Crystalline handle S/A Hot & Cold



AMERICAN STANDARD 2103 SERIES

ITEM	PART #	DESCRIPTION	ITEM	PART #	DESCRIPTION
1	40120032	Handle S/A - cold	11	40800529	Washer
	40120031	Handle S/A - hot	12	40800598	Nut
2	40120270	Index button - cold	13	40800454	Swivel nut
	40120749	Index button - hot	14	01895742	Flow restrictor
3	40120394	Screw	15	40110209	Aerator
4	40120750	Handle - 4"	16		Washer
5	40120582	Bonnet	17	40120346	Spray
6	01893887	Stem R.H.	18	01893600	Lift rod
7	01893861	Stem nut L.H.			
	01893860	Stem nut R.H.			
8	01893888	Stem L.H.			
9	40120000	Seat - brass			
	40120222	Seat - monel			
10		Body			



TOTAL MAINTENANCE SOLUTIONS

HOUSTON
800/392-5066

ORLANDO
800/327-3022

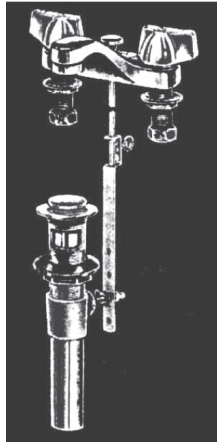
GREENVILLE
800/476-2212

LOOK FOR US ON THE WEB AT: www.TMSouth.com

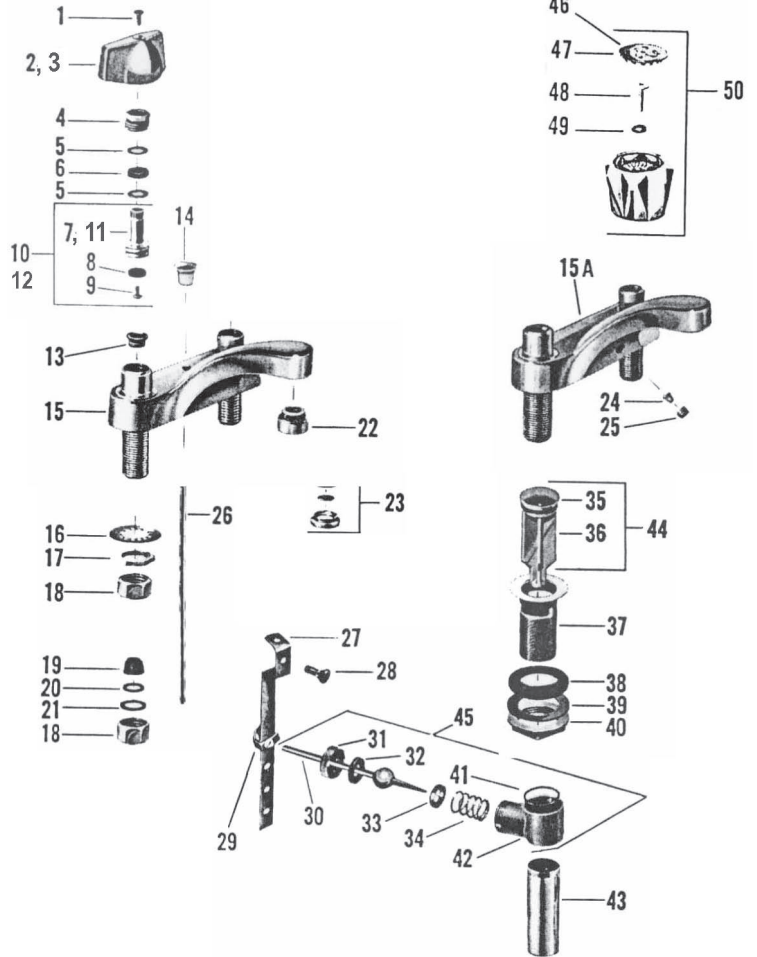
FAUCET REPAIR

AMERICAN STANDARD COLONY

ITEM	PART #	DESCRIPTION
1	50100027	Screw
2	40120417	Handle - Hot
3	40120418	Handle - Cold
4	40120466	Packing nut
5	40120460	Washer
6	40120473	Stem packing
7		Stem - Hot
8	40110094	Washer
9	50100011	Screw
10	43041001	Stem S/A L.H. (Hot)
11		Stem - Cold
12	43041002	Stem S/A R.H. (Cold)
13	40120189	Seat
14	40120441	Knob
15		Spout & body
15A		Spout & body
16	40800529	Washer
17	51000048	Nut
18	01895635	Swivel nut
19	40120292	Washer
20	40120561	Washer
21	40120558	Washer
22	40110209	Aerator
23	N/A	Swivel nut
24		Sleeve
25		Nut
26	40120442	Lift rod
27	40120412	Extension
28	40120194	Thumb screw
29	40121081	Clip
30	40120751	Pivot rod S/A
31	40120752	Pivot nut
32	40120193	Gasket
33	40120600	Spring seat
34	40120183	Spring
35	40120414	Gasket
36	N/A	Stopper - see item 45
37	40120470	Drain Plug
38	40120471	Gasket
39	40120279	Slip Washer
40		Lock Nut
41		Gasket
42		Coupling
43		Tailpiece
44	40120753	Stopper S/A
45		Coupling S/A

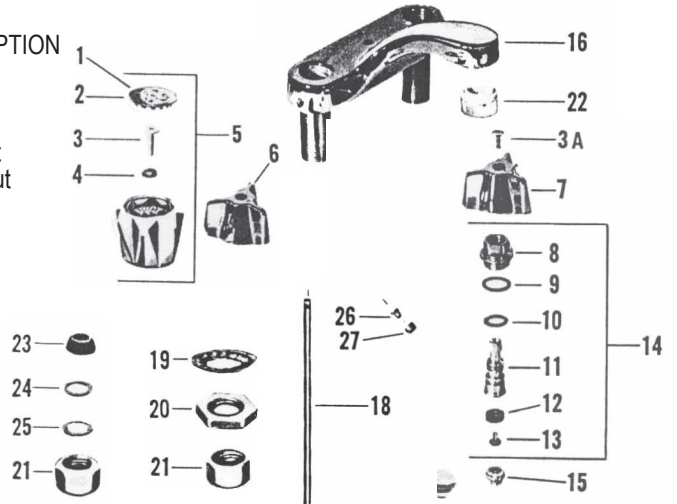
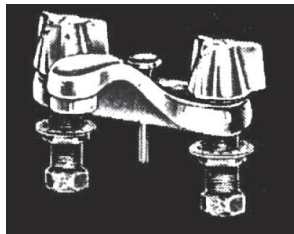


ITEM	PART #	DESCRIPTION
46	01896111	Hot Index
47	01896110	Cold Index
48	40120182	Handle screw
49	40120151	Washer
50	40120341	Handle Kit (Hot & Cold)



AMERICAN STANDARD COLONY NEW STYLE

ITEM	PART #	DESCRIPTION
1	01896111	Hot index
2	01896110	Cold index
3	40120182	Handle screw
3A	01890710	Handle screw
4	40120151	Washer
5	40120341	Handle kit (Hot & Cold)
6	40120444	Hot handle
7	40120443	Cold handle
8		Stem nut
9	40950109	O-ring
10	40950022	O-ring
11		Stem - see item 14
12	40110094	Seat washer
13	50100011	Screw
14	43041012	Stem S/A
15	40120189	Seat
16		Body



TOTAL MAINTENANCE SOLUTIONS

HOUSTON
800/392-5066

ORLANDO
800/327-3022

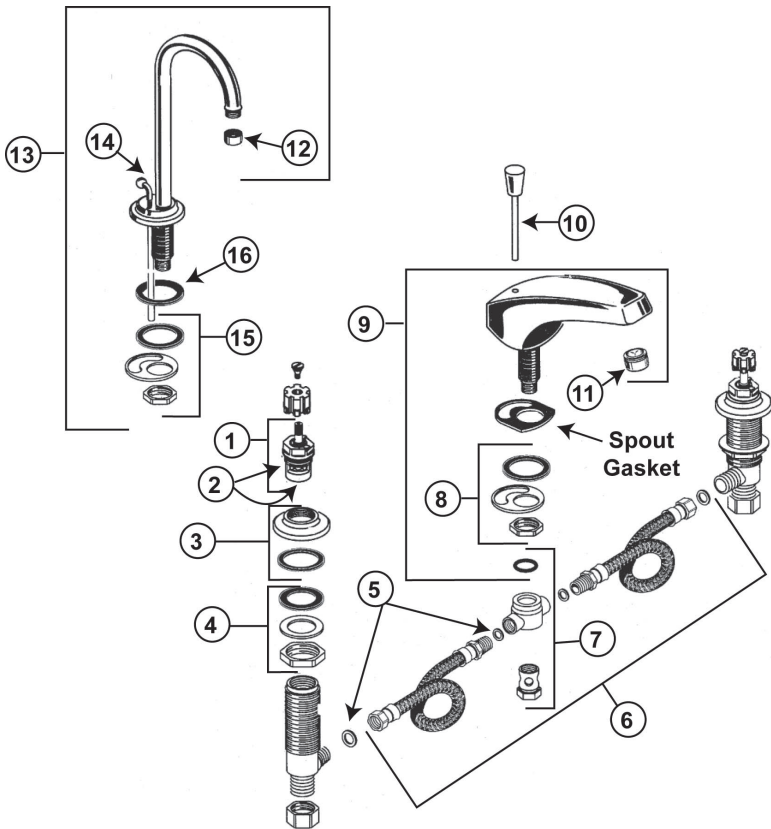
GREENVILLE
800/476-2212

LOOK FOR US ON THE WEB AT: www.TMSouth.com

FAUCET REPAIR

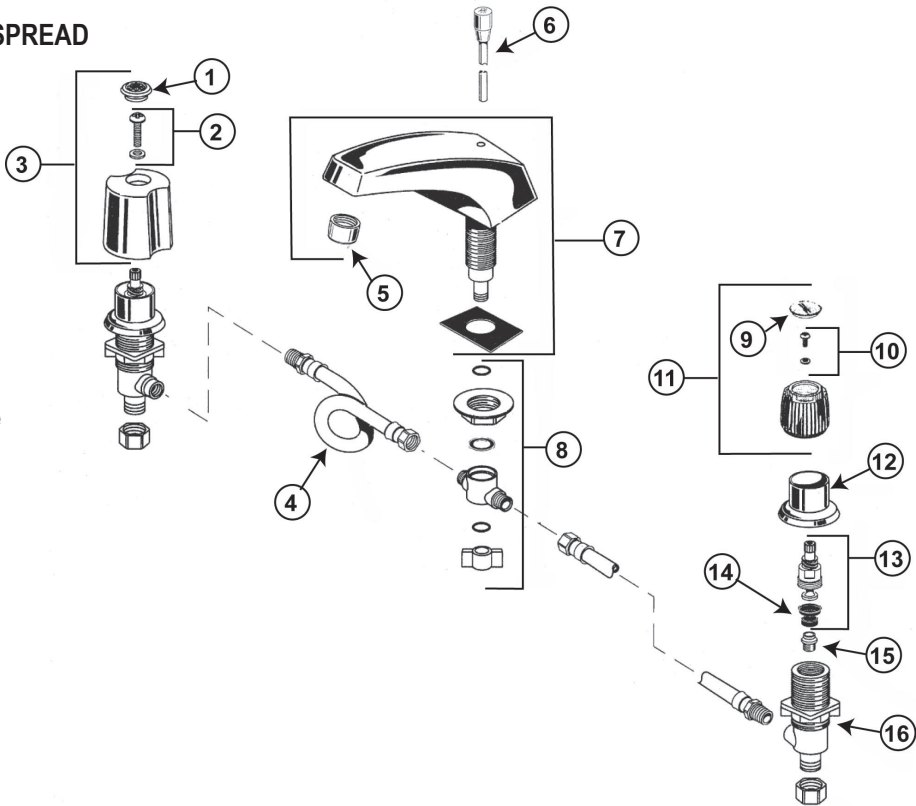
AMERICAN STANDARD HERITAGE WIDE SPREAD

ITEM	PART #	DESCRIPTION
1	40120006	Cartridge (H&C)
2	40121080	Cartridge seal kit
3	40120754	Escutcheon - chrome
4	40120755	Valve mounting kit
5	01895050	Hose seal kit (4)
6	40120758	Tee & hose kit
7		Tee mounting kit
8	40120756	Spout mounting kit
9		Conventional spout kit
10	01893600	Pop-up rod - chrome
11	40400055	Aerator
12	40110132	Aerator
13		Gooseneck spout less pop-up
14		Pop-up rod
15		Spout mounting kit
16	40120757	Spout gasket



AMERICAN STANDARD CADET WIDE SPREAD

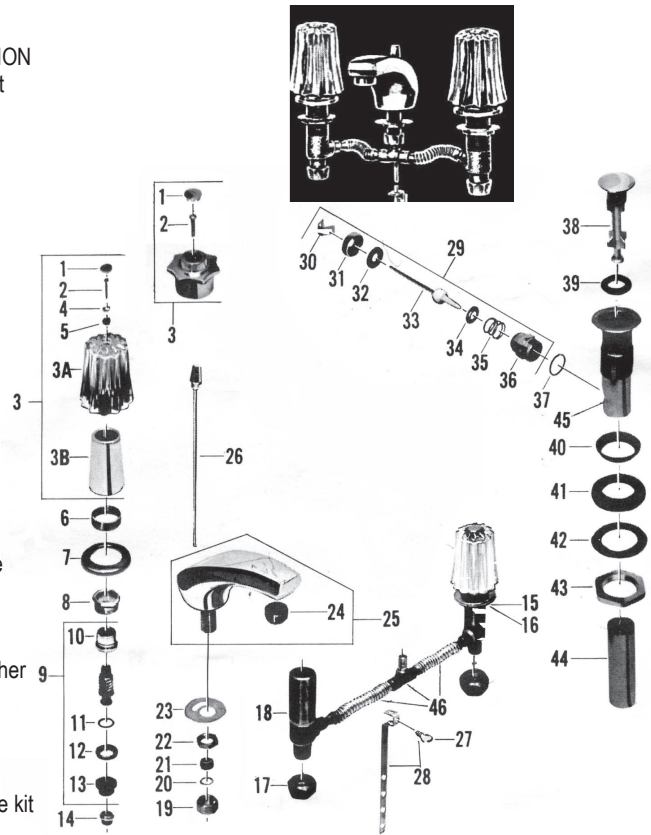
ITEM	PART #	DESCRIPTION
1	40120680	Index (H&C)
2	40120157	Handle screw
3	40120405	Metal handle - chrome
4	40120758	Hose
5	40110132	Aerator
6	01893600	Pop-up rod - chrome
7		Spout kit
8	40120759	Spout mounting kit
9	01895044	Index button
10	40120157	Handle screw
11	40121082	Acrylic handle kit
12	40120760	Escutcheon (2) - chrome
13	40120010	Stem assembly (H&C)
14	40120397	Washer
15	40120733	Seat
16		Mounting nut



FAUCET REPAIR

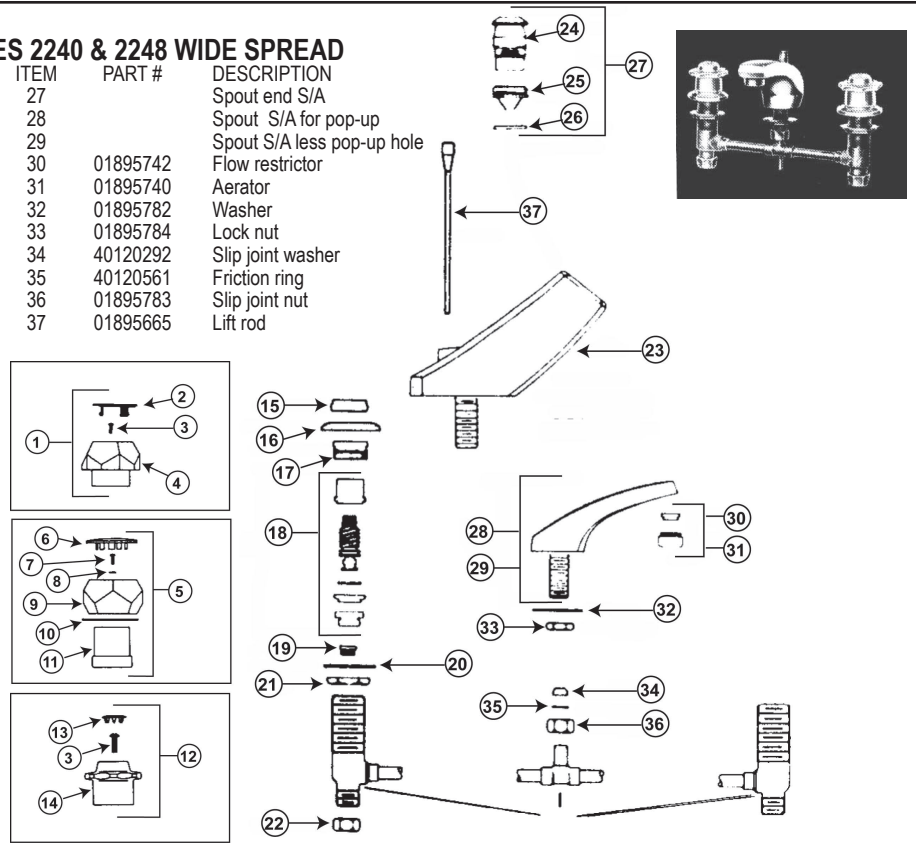
AMERICAN STANDARD HERITAGE SERIES 2248 WIDE SPREAD

ITEM	PART #	DESCRIPTION	ITEM	PART #	DESCRIPTION
1	40120424	Cold index	19	01895783	Slip joint nut
	40120425	Hot index	20	40120561	Friction ring
2	40120297	Handle screw	21	40120292	S.J. washer
3	40120028	Cold handle - chrome (each)	22	01895784	Lock nut
	40120355	Hot handle - chrome (each)	23	01895782	Washer
	40120530	Smoke acrylic handle pair	24	40400055	Aerator
	40120531	Clear acrylic handle pair	25		Spout
3A	01893460	Clear acrylic handle	26	01895665	Lift rod
3B	01892090	Handle insert	27	40120194	Wing screw
4	40120151	Washer - metal	28	40120342	Lift rod extension
5	40120566	Washer - rubber	29	01895441	Lever S/A
6	40120284	Escutcheon - holder	30	40121081	Clip
7	40120186	Escutcheon	31	40120752	Pivot nut
8	40120228	Lock nut	32	40120193	Gasket
9	40120002	Stem	33	01893770	Pivot rod
10	01893860	Stem nut	34	40120600	Spring seat
11	40950067	Friction ring	35	40120183	Spring
12	40121078	Stop ring	36	01895649	Centerpiece
13	40120005	Diaphragm	37	40120195	Gasket
14	40120000	Seat - brass	38	40120590	Stopper
	40120222	Seat - monel	39	01890790	Gasket
15	40120293	Washer	40	40120210	Flange washer
16	40120584	Lock nut	41	40120294	Washer
17	01895635	Coupling nut	42	40120279	Washer
18		Body & Tee	43	40120580	Lock nut
			44	50552293	Tailpiece
			46	01895435	Flexible tube kit



AMERICAN STANDARD HERITAGE SERIES 2240 & 2248 WIDE SPREAD

ITEM	PART #	DESCRIPTION	ITEM	PART #	DESCRIPTION
1	40120350	Chrome handle kit (hot & cold)	27		Spout end S/A
2	40120688	Cold index	28		Spout S/A for pop-up
	40120689	Hot index	29		Spout S/A less pop-up hole
3	40120297	Handle screw	30	01895742	Flow restrictor
4	01893559	Chrome handle	31	01895740	Aerator
5	40120352	Crystalline handle kit (hot & cold)	32	01895782	Washer
6	01893540	Cold index	33	01895784	Lock nut
	01893550	Hot index	34	40120292	Slip joint washer
7	40120164	Handle screw	35	40120561	Friction ring
8	01893530	Seal	36	01895783	Slip joint nut
9		Crystalline handle	37	01895665	Lift rod
10	01893531	Seal			
11	01893552	Handle insert			
12	40120233	Crown handle - cold			
	40120027	Crown handle - hot			
13	40120313	Cold index			
	40120316	Hot index			
14	40120353	Cold handle			
	40120354	Hot handle			
15	40120284	Escutcheon holder			
16	40120186	Escutcheon			
17	40120228	Lock nut			
18	40120002	Stem			
19	40120000	Seat - brass			
20	40120293	Washer			
21	40120584	Lock nut			
22	01895635	Coupling nut			
23		Spout assembly			
24		Spout end			
25	40120564	Plug & filter			
26	40700230	O-ring			



TOTAL MAINTENANCE SOLUTIONS

HOUSTON
800/392-5066

ORLANDO
800/327-3022

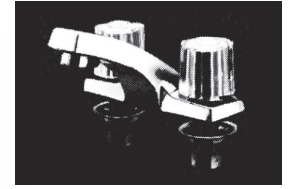
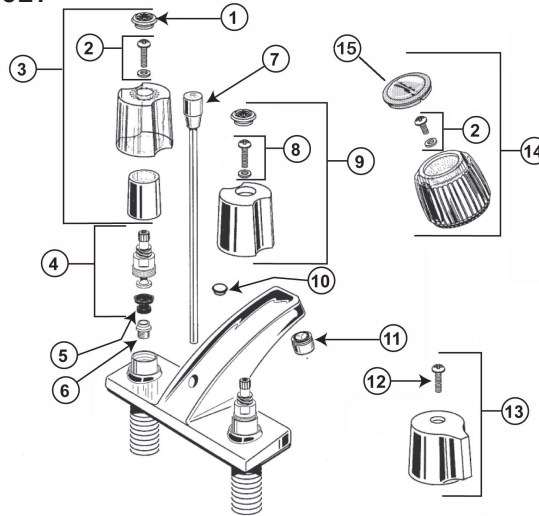
GREENVILLE
800/476-2212

LOOK FOR US ON THE WEB AT: www.TMSouth.com

FAUCET REPAIR

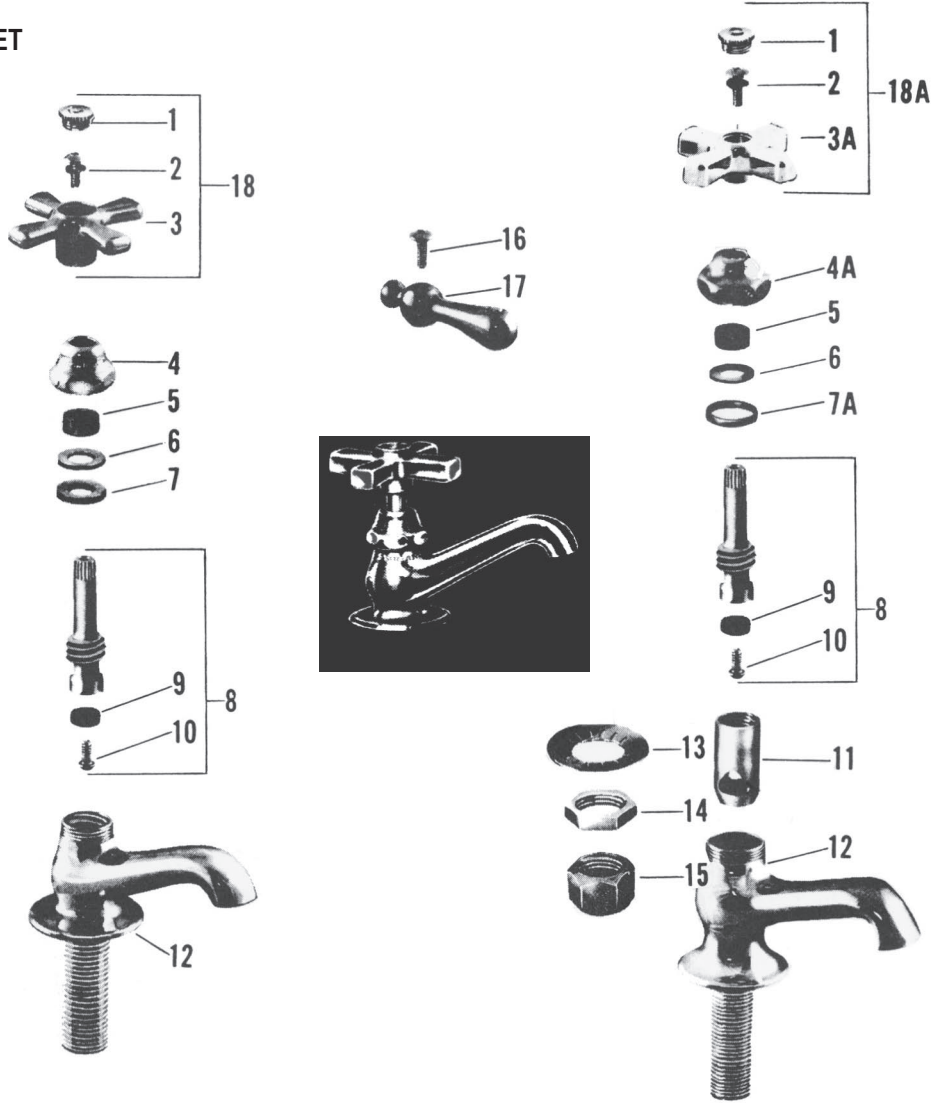
AMERICAN STANDARD CADET LAVATORY FAUCET

ITEM	PART #	DESCRIPTION
1	40120680	Hot & cold index
2	40120318	Handle screw
3	40120404	Acrylic handle set (H&C)
4	40120010	Stem assembly
5	40120009	Stem washer
6	40120733	Seat
7	01895665	Lift rod
8	40120157	Handle screw
9	40120405	Chrome handle S/A
10		Plug button
11	40110144	Aerator
12	40120761	Handle screw
13	40120762	Metal handle kit
14	40121082	Acrylic handle kit
15	01895044	Acrylic handle index kit



AMERICAN STANDARD SINGLE FAUCET

ITEM	PART #	DESCRIPTION
1	40120123	Cold index
	40120124	Hot index
2	40120125	Handle screw
3		Hot handle - see 18 Cold handle - see 18A
4	40120559	Cap
4A	40120126	Cap
5	40120128	Stem packing
6	40120129	Brass washer
7	40120153	Cap washer
7A	40120127	Cap washer
8	43041032	Stem w/washer & screw
9	40110094	Seat washer
10	50100010	Seat washer screw
11	40120040	Re-Nu sleeve
12		Body
13	40800529	Friction washer
14	51000048	Lock nut
15	01895635	Coupling nut
16	40120157	Handle screw
17	40120306	Cold handle
	40120305	Hot handle
18	40120136	Cold handle S/A
	40120137	Hot handle S/A
18A	40120535	Cold handle S/A
	40120534	Hot handle S/A



**TOTAL
MAINTENANCE
SOLUTIONS**

HOUSTON
800/392-5066

ORLANDO
800/327-3022

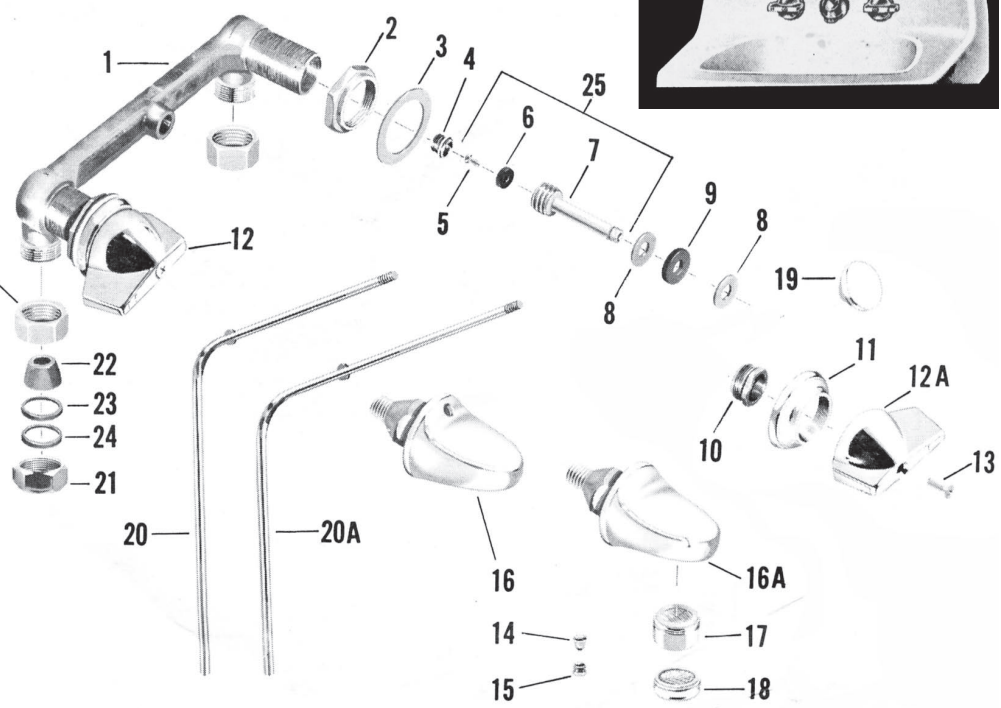
GREENVILLE
800/476-2212

LOOK FOR US ON THE WEB AT: www.TMSSouth.com

FAUCET REPAIR

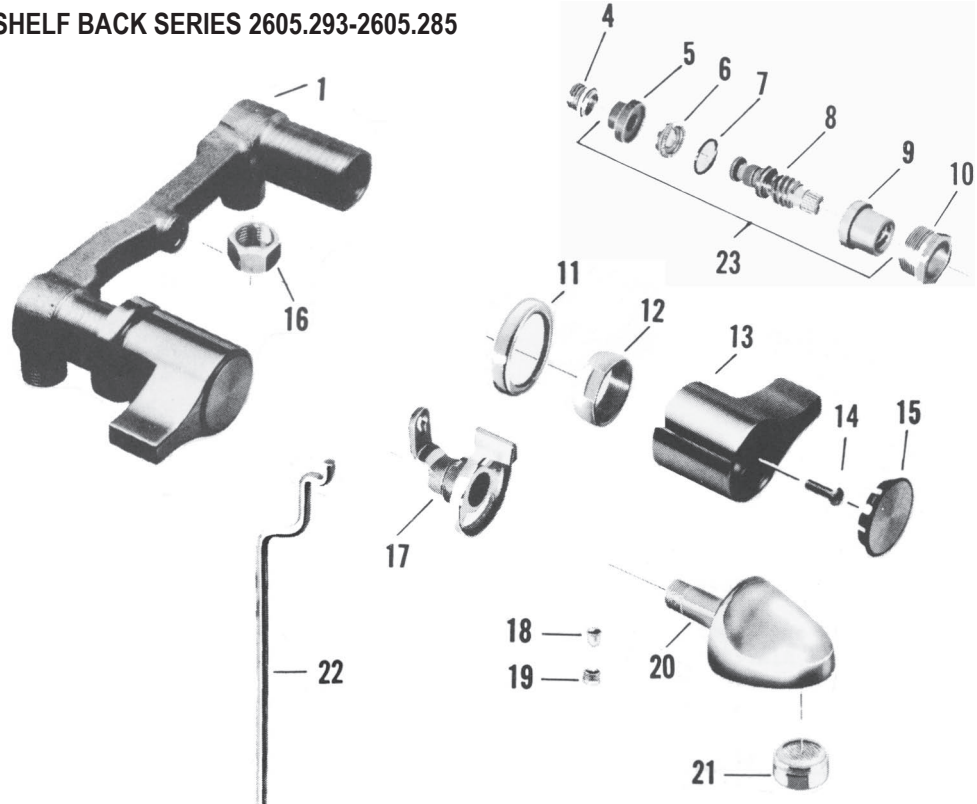
AMERICAN STANDARD COLONY SHELF BACK

ITEM	PART #	DESCRIPTION
1		Body
2	40120467	Lock nut
3	40120451	Washer
4	40120189	Seat
5	50100011	Seat screw
6	40110094	Washer
7		Stem - see item 26
8	40120460	Washer
9	40120473	Packing
10	40120466	Packing nut
11	40120468	Escutcheon
12	40120417	Handle - hot
	40120418	Handle - cold
13	50100027	Handle screw
14	01895410	Sleeve
15	01895675	Stay nut
16		Spout
16A		Spout
17	40400055	Aerator
18		Stream regulator
19	40120469	Knob
20		Lift rod
20A		Lift rod
21	01895635	Swivel nut
22	40120292	Washer
23	40120558	Washer
24	40120561	Washer
25	01895635	Swivel nut
26	43041026	Stem R.H. (hot)
	43041025	Stem L.H. (cold)



AMERICAN STANDARD HERITAGE SHELF BACK SERIES 2605.293-2605.285

ITEM	PART #	DESCRIPTION
1	NLA	Body w/seats
2	40120584	Lock nut
3	40120451	Washer
4	40120000	Seat - brass
	40120222	Seat - monel
5	40120005	Diaphragm
6	40121078	Stop ring
7	40950067	O-ring
8		Stem - see item 23
9	01893860	Stem nut R.H.
	01893861	Stem nut L.H.
10	40120228	Lock nut
11	40120186	Escutcheon
12	40120284	Escutcheon holder
13	40120763	Handle
14	40120297	Handle screw
15	40120333	Cold index
	40120334	Hot index
16	01895635	Coupling nut
17	40120344	Handle ring S/A
20	40120450	Spout
21	40400055	Aerator
22	40120453	Lift rod
23	43031005	Stem & bonnet - cold
	40120002	Stem & bonnet - hot



**TOTAL
MAINTENANCE
SOLUTIONS**

HOUSTON
800/392-5066

ORLANDO
800/327-3022

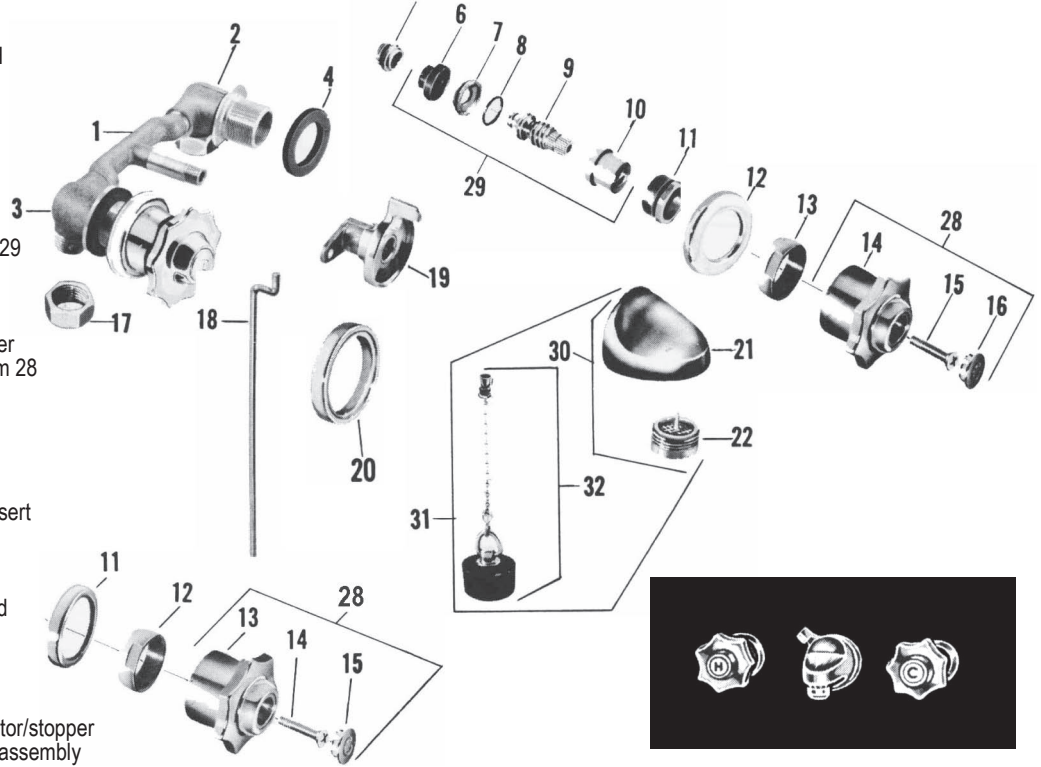
GREENVILLE
800/476-2212

LOOK FOR US ON THE WEB AT: www.TMSSouth.com

FAUCET REPAIR

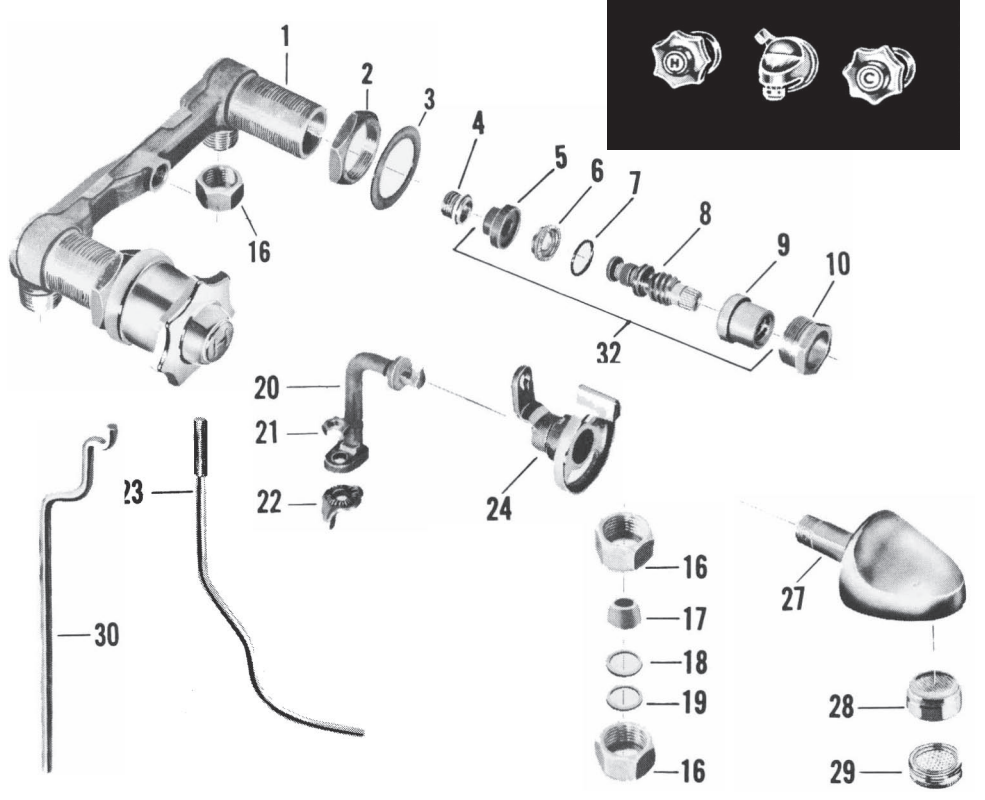
AMERICAN STANDARD HERITAGE SHELF BACK SERIES 2604.080 5

ITEM	PART #	DESCRIPTION
1		Tee
2	NLA	Body w/ seat R.H
3	NLA	Body w/ seat L.H
4	NLA	Rubber washer
5	40120000	Seat - brass
	40120222	Seat - monel
6	40120005	Diaphragm
7	40121078	Stop ring
8	40950067	O-ring
9		Stem - see item 29
10	01893860	Stem nut
11	40120228	Lock nut
12	01892862	Escutcheon
13	40120284	Escutcheon holder
14		Handle - see item 28
15	40120297	Handle screw
16	40120313	Cold index
	40120316	Hot index
17	01895635	Coupling nut
18	40120589	Lift rod
19	NLA	Handle ring w/ insert
20	NLA	Spout flange
21	NLA	Spout
22	40400055	Aerator
28	40120233	Handle S/A - cold
	40120027	Handle S/A - hot
29	40120018	Stem S/A - cold
	40120002	Stem S/A - hot
30	40120357	Spout w/ aerator
31	NLA	Spout/chain/aerator/stopper
32	01895481	Chain & stopper assembly



AMERICAN STANDARD HERITAGE SHELF BACK SERIES 2605.012

ITEM	PART #	DESCRIPTION
1	NLA	Body w/seats
2	40120584	Lock nut
3	40120451	Washer
4	40120000	Seat - brass
	40120222	Seat - monel
5	40120005	Diaphragm
6	40121078	Stop ring
7	40950067	O-ring
8		Stem - see item 32
9	01893860	Stem nut
10	40120228	Lock nut
11	01892862	Escutcheon
12	40120284	Escutcheon holder
13		Handle - see item 31
14	40120297	Handle screw
15	40120313	Cold index
	40120316	Hot index
16	01895635	Coupling nut
17	40120292	Slip joint washer
18	40120558	Friction ring
19	40120561	Friction ring
20	NLA	Lift rod connection
21	01893420	Lock nut
22	NLA	Wing nut
23	NLA	Lift rod
24	40120344	Handle ring w/insert
27	40120450	Spout
28	40400055	Aerator
29	40120581	End trim
30	40120453	Lift rod
31	40120028	Handle S/A - cold
	40120355	Handle S/A - hot
32	40120002	Stem & bonnet S/A



HOUSTON
800/392-5066

ORLANDO
800/327-3022

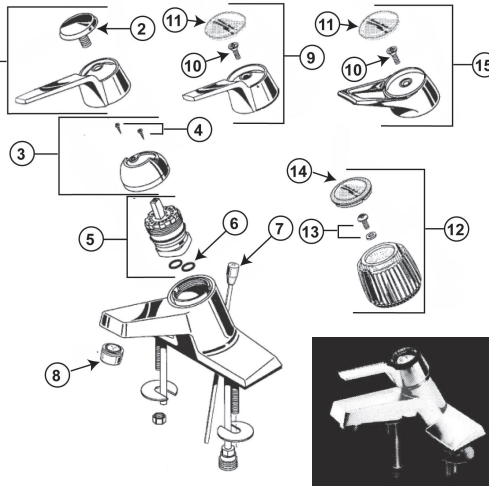
GREENVILLE
800/476-2212

LOOK FOR US ON THE WEB AT: www.TMSSouth.com

FAUCET REPAIR

AMERICAN STANDARD RELIANT 2385 SERIES

ITEM	PART #	DESCRIPTION
1	01895038	Vandal proof handle kit
2	01895040	Vandal proof index
3	40120764	Cap kit
4		Screw kit
5	40120207	Valve rebuild kit
6	40160143	O-rings
7	01895665	Lift rod
8	40110144	Aerator
9	40110166	VP aerator
10	40120408	Lever handle kit
11	40121079	Handle screw
12	40120692	Dome index
13		Knob handle kit
14	01895036	Screw kit
15	40120694	Knob index
		Loop handle kit

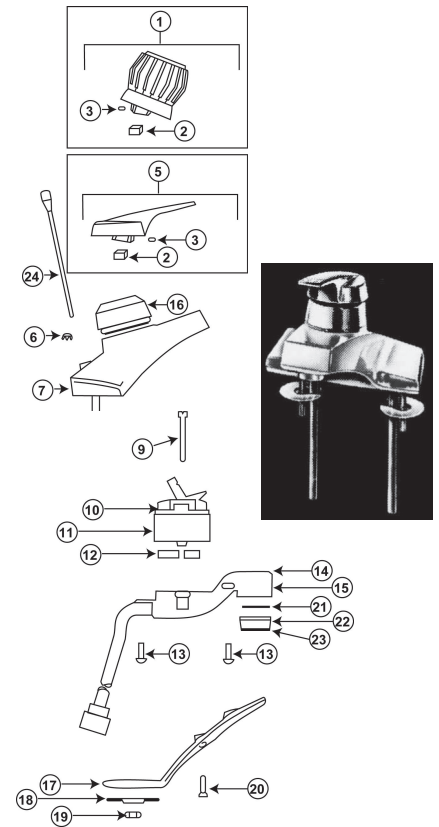
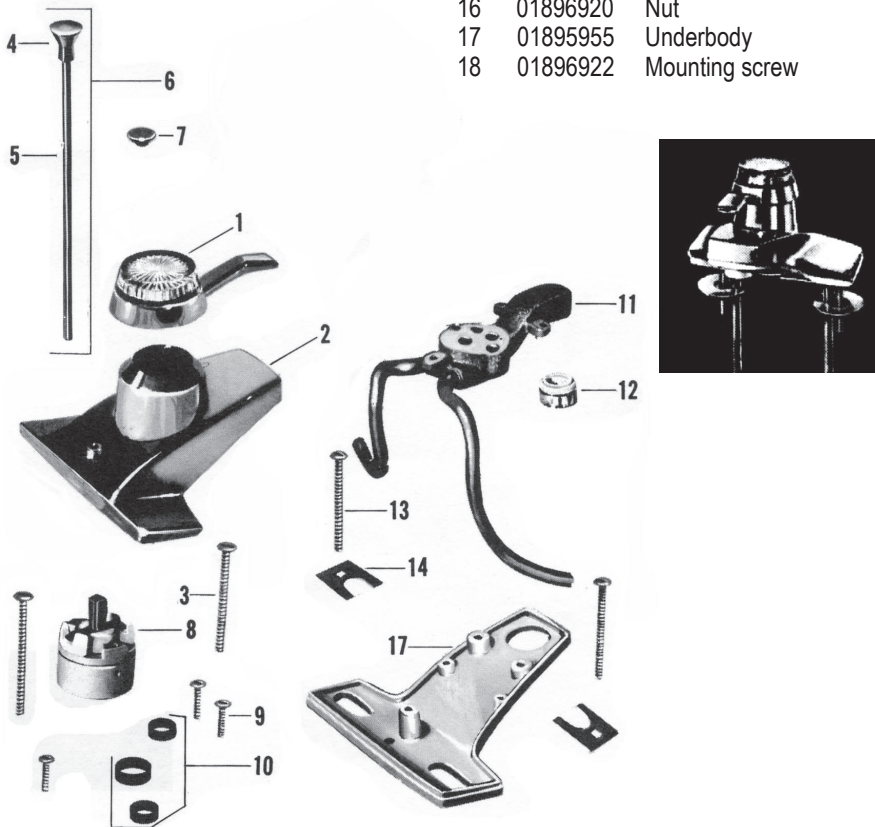


AMERICAN STANDARD AQUARIAN 2379 SERIES

ITEM	PART #	DESCRIPTION
1	40120594	Knob handle S/A chrome
2	40120392	Handle insert
3	40120385	Handle set screw
5	40120701	Lever handle S/A
6	01895690	Body plug button
7		Escutcheon - chrome
9	40120436	Cartridge screw
10	40120439	Cartridge - grey
11		Cartridge - black
12	40120430	Cartridge seal kit
13		Manifold screw
14	NLA	Manifold less conn.
15	NLA	Manifold with conn.
16	40120766	Escutcheon cap - chrome
17	NLA	Underbody
18	01896921	Washer
19	01896920	Nut
20	01897012	Escutcheon screw
21	01895742	Flow restrictor
22	40400055	Aerator
23	40110166	VP aerator
24	01893600	Lift rod S/A - chrome

AMERICAN STANDARD AQUARIAN 2179 SERIES

ITEM	PART #	DESCRIPTION
1	40120225	Handle
2	NLA	Escutcheon
3	40120436	Cartridge screws
4	40120441	Knob
5	01895688	Lift rod
6	NLA	Lift rod w/knob
7	01895690	Plug button
8	40120439	Cartridge
9	NLA	Screw
10	40120430	Cartridge seal set
11	NLA	Manifold
12	40400055	Aerator
13	NLA	Carriage bolt
14	NLA	Mounting retainer
15	01896921	Slotted washer
16	01896920	Nut
17	01895955	Underbody
18	01896922	Mounting screw



**TOTAL
MAINTENANCE
SOLUTIONS**

HOUSTON
800/392-5066

ORLANDO
800/327-3022

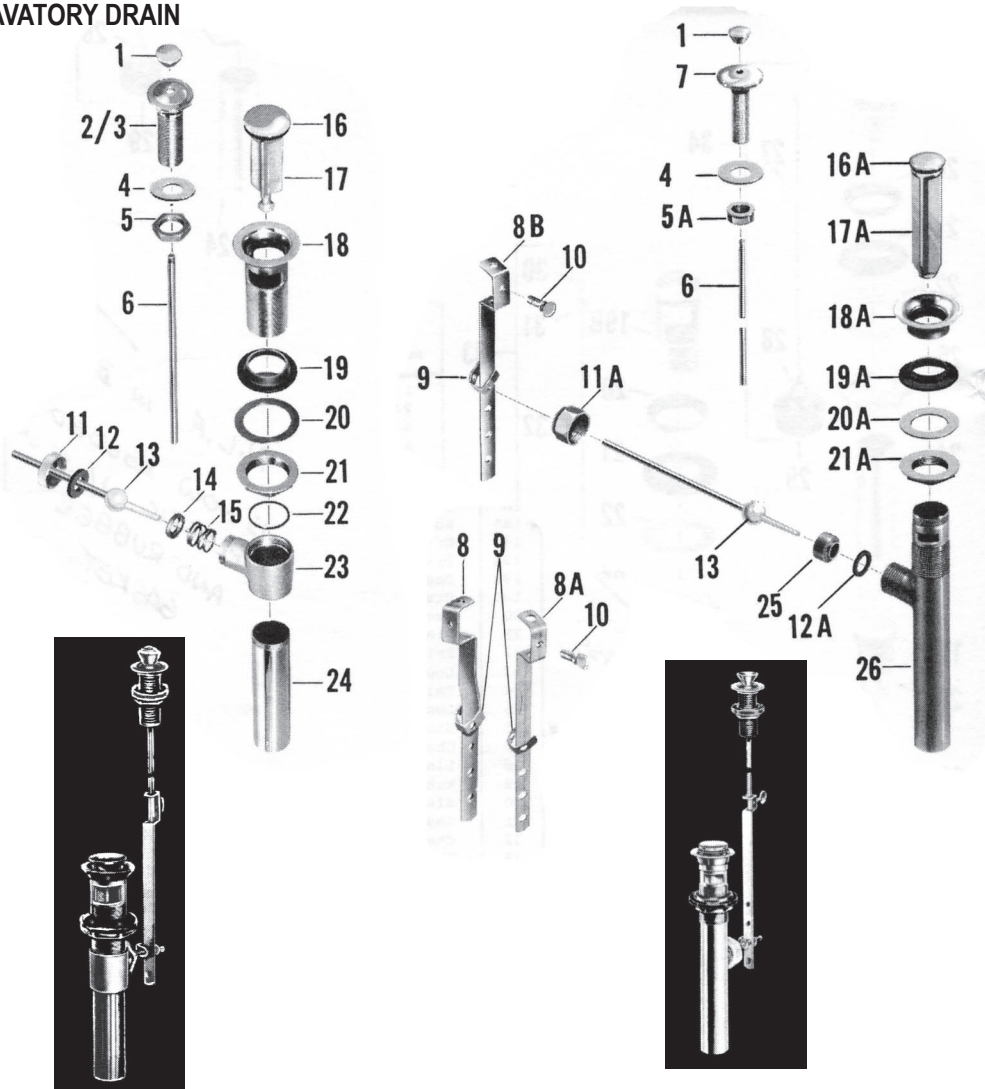
GREENVILLE
800/476-2212

LOOK FOR US ON THE WEB AT: www.TMSSouth.com

FAUCET REPAIR

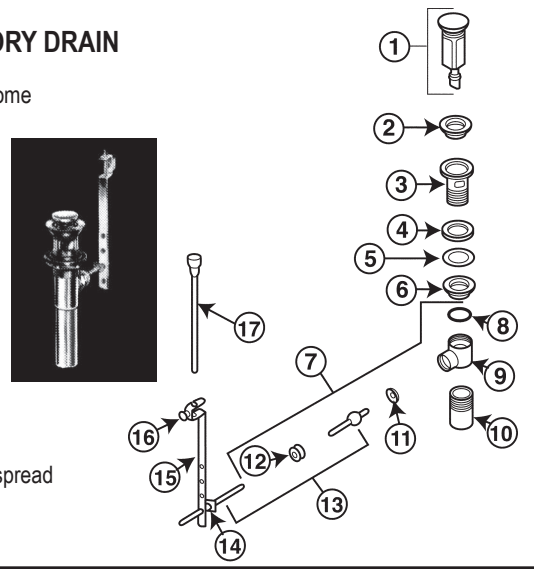
AMERICAN STANDARD COLONY LAVATORY DRAIN

ITEM	PART #	DESCRIPTION
1	40120469	Knob
2-3	NLA	Flange & nipple
4	40120283	Washer
5	40120427	Lock nut
5A		Lock nut
6	NLA	Lift rod
7	NLA	Deck fitting
8	NLA	Extension
8A	01897240	Extension w/screws
8B	NLA	Extension
9	40121081	Clip
10	40120194	Wing screw
11	40120752	Pivot nut
11A	NLA	Pivot nut
12	40120193	Gasket
12A	40120413	Gasket
13	40120751	Pivot rod w/ ball
14	40120600	Spring seat
15	40120183	Pivot spring
16	40120414	Stopper gasket
16A	40120414	Stopper gasket
17	40120472	Stopper w/gasket
17A	40120421	Stopper
18	40120470	Drain plug
18A	NLA	Drain plug
19	40120471	Gasket
19A	NLA	Gasket
20	40120279	Washer
20A	40120410	Washer
21	40120585	Lock nut
21A	40120411	Lock nut
22	40120474	Gasket
23		Coupling
24	40801066	Tailpiece
26	NLA	



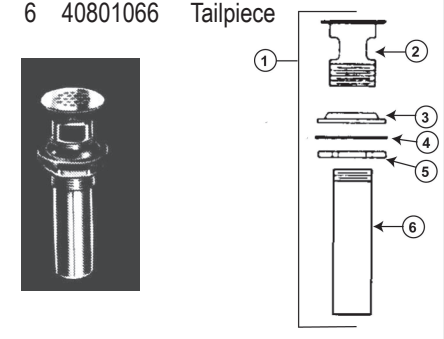
AMERICAN STANDARD LAVATORY DRAIN

ITEM	PART #	DESCRIPTION
1	40120472	Stopper S/A - chrome
2	01890790	Gasket
3	40120470	Plug - chrome
4	40120471	Gasket
5	40120279	Washer
6	51000048	Nut
7		Coupling S/A
8	40120474	Coupling gasket
9		Coupling
10	40801066	Tailpiece
11	40120464	Gasket
12	01893435	Bushing
13	40120342	Rod & ball S/A
14	40121081	Clip
15	01893790	Extension
16	40120342	Extension - wide spread
17	40120194	Wing screw
18	01895665	Lift rod



AMERICAN STANDARD GRID DRAIN

ITEM	PART #	DESCRIPTION
1	40800167	Drain Assembly
2	40120595	Plug
3	44735018	Washer
4	40120329	Washer
5	40120580	Locknut
6	40801066	Tailpiece



**TOTAL
MAINTENANCE
SOLUTIONS**

HOUSTON
800/392-5066

ORLANDO
800/327-3022

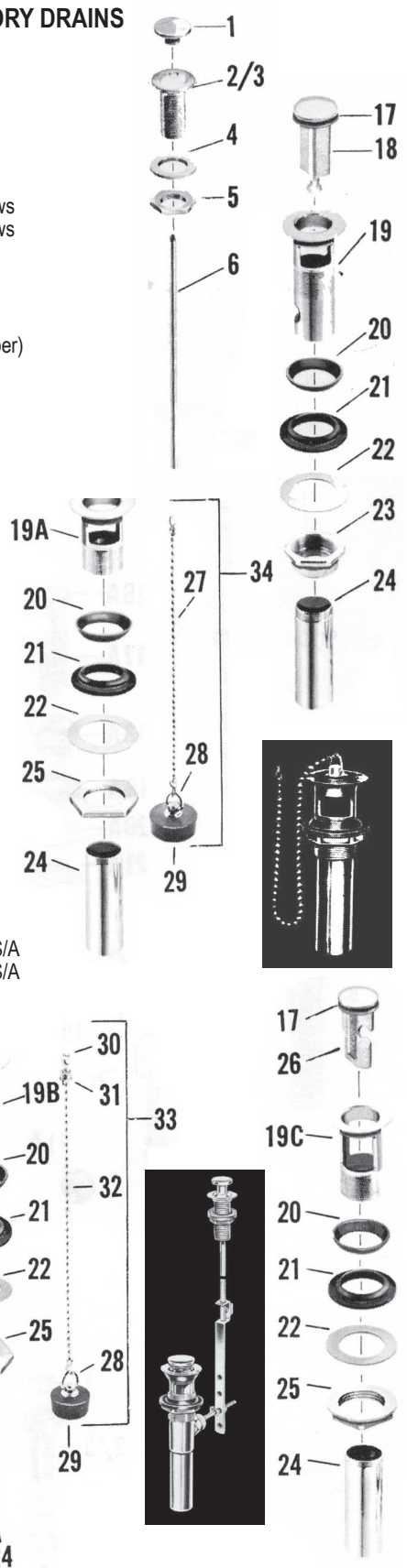
GREENVILLE
800/476-2212

LOOK FOR US ON THE WEB AT: www.TMSSouth.com

FAUCET REPAIR

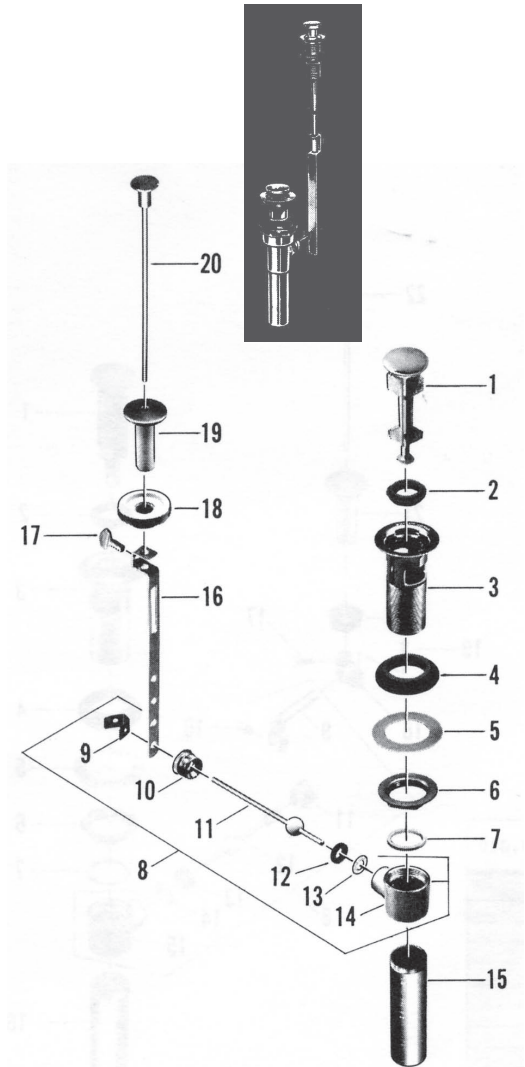
AMERICAN STANDARD LAVATORY DRAINS

ITEM	PART #	DESCRIPTION
1	40120447	Lift knob
2-3	NLA	Flange & nipple
4	40120283	Washer
5	40120165	Lock nut
6	01895665	Lift rod
7	40120194	Wing screw
8	01893790	Extension w/screws
	40120342	Extension w/screws for wide spread
9	40121081	Clip
10	40120751	Pivot rod
	40120751	Pivot rod (non-remov. stopper)
11	40120752	Pivot nut
12	40120193	Gasket
13	40120600	Spring seat
14	40120183	Spring
15	40120752	Centerpiece
16	40120195	Gasket
17	01890790	Gasket for stopper
18	40120590	Stopper
18A	40120343	Non-removable stopper
19		Drain plug
20	40120210	Gasket
21	40120294	Plug gasket
22	40120279	Friction washer
23	40120580	Lock nut
24	40801066	Tailpiece
25	40120580	Lock nut
26	NLA	Stopper
27	40120161	Chain
28	40800592	Ring link
29	40586004	Rubber stopper
30	01895410	Sleeve for chain
31	01895675	Chainstay nut
32	40800588	Chain
33	01895481	Chain & stopper S/A
34	40120552	Chain & stopper S/A
9-15	01895441	Lever S/A



AMERICAN STANDARD NEW STYLE HERITAGE

ITEM	PART #	DESCRIPTION
1	40120472	Stopper
2	01890790	Gasket
3	40120470	Plug
4	40120471	Plug washer
5	40120279	Washer
6	40120585	Lock nut
7	40120474	Gasket
8	01897005	Coupling S/A
9	01893740	Clip
10	01893500	Pivot nut
11	01893450	Pivot rod & ball
12	40120464	Washer
13	NLA	Adapter
14	01893440	Coupling body
15	40801066	Tailpiece
16	01893790	Extension
17	40120194	Screw
18		Lock nut
19	NLA	Deck fitting S/A
20	01896108	Rod & knob S/A



**TOTAL
MAINTENANCE
SOLUTIONS**

HOUSTON
800/392-5066

ORLANDO
800/327-3022

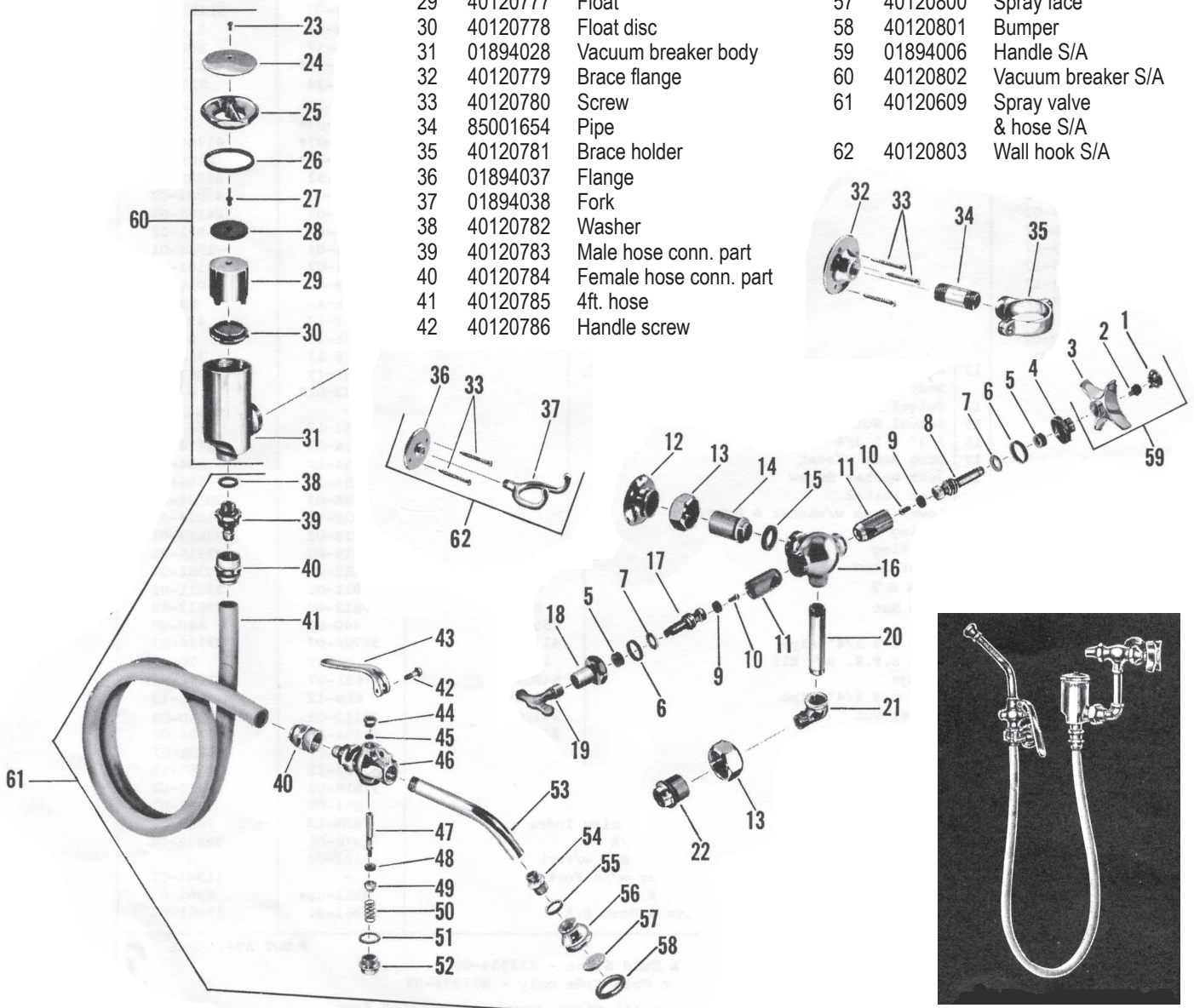
GREENVILLE
800/476-2212

LOOK FOR US ON THE WEB AT: www.TMSSouth.com

FAUCET REPAIR

AMERICAN STANDARD BEDPAN CLEANERS

ITEM	PART #	DESCRIPTION	ITEM	PART #	DESCRIPTION	ITEM	PART #	DESCRIPTION
1	40120270	Cold index	15	40120135	Coupling washer	43	40120787	Handle
2	40120125	Handle screw	16		Body	44	40120788	Stuffing nut
3		Handle - see item 59	17	40120767	Stem w/washer & screw	45	40120789	Palmetto packing
4	40120126	Nut	18	40120768	Loose key cap	46	40120790	Body
5	40120128	Packing	19	40120769	Loose key	47	40120791	Stem
6	40120127	Cap washer	20	85001616	3/8"x 3-1/2" nipple	48	40120792	Seat washer
7	40120129	Washer	21		3/8" 90 degree street ell	49	40120793	Seat washer holder
8	40120076	Stem w/washer & screw	22	40120770	Swivel	50	40120794	Spring
9	40110094	Seat washer	23	40120771	Screw	51	40120795	Cap washer
10	40120131	screw	24	40120772	Shield	52	40120796	Cap
11	40120040	Sleeve	25	40120773	Cap	53	40120797	Bent pipe
12	40130239	Wall flange w/screws	26	40120774	Cap washer	54	40120798	Spray connection
13	40120133	Coupling nut	27	40120775	Guide screw	55	40120332	Washer
14		Supply swivel	28	40120776	Seat washer	56	40120799	Spray head
			29	40120777	Float	57	40120800	Spray face
			30	40120778	Float disc	58	40120801	Bumper
			31	01894028	Vacuum breaker body	59	01894006	Handle S/A
			32	40120779	Brace flange	60	40120802	Vacuum breaker S/A
			33	40120780	Screw	61	40120609	Spray valve & hose S/A
			34	85001654	Pipe	62	40120803	Wall hook S/A
			35	40120781	Brace holder			
			36	01894037	Flange			
			37	01894038	Fork			
			38	40120782	Washer			
			39	40120783	Male hose conn. part			
			40	40120784	Female hose conn. part			
			41	40120785	4ft. hose			
			42	40120786	Handle screw			



**TOTAL
MAINTENANCE
SOLUTIONS**

HOUSTON
800/392-5066

ORLANDO
800/327-3022

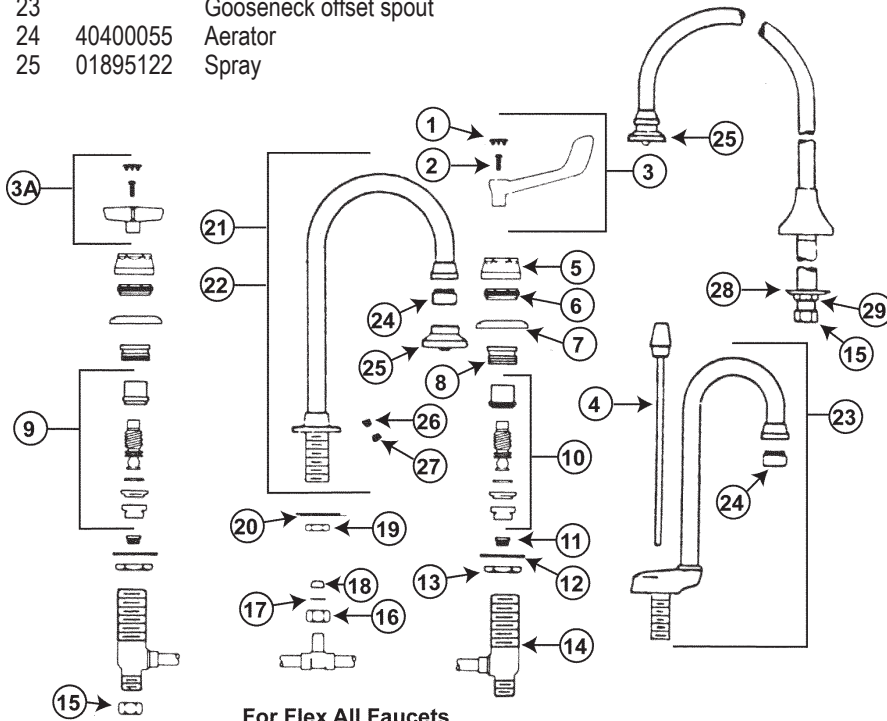
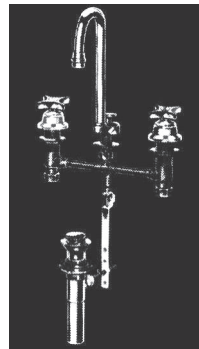
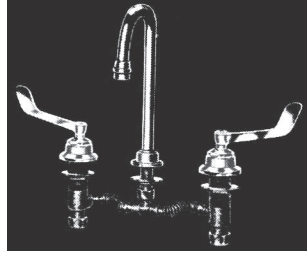
GREENVILLE
800/476-2212

LOOK FOR US ON THE WEB AT: www.TMSSouth.com

FAUCET REPAIR

AMERICAN STANDARD HERITAGE 2238 SERIES

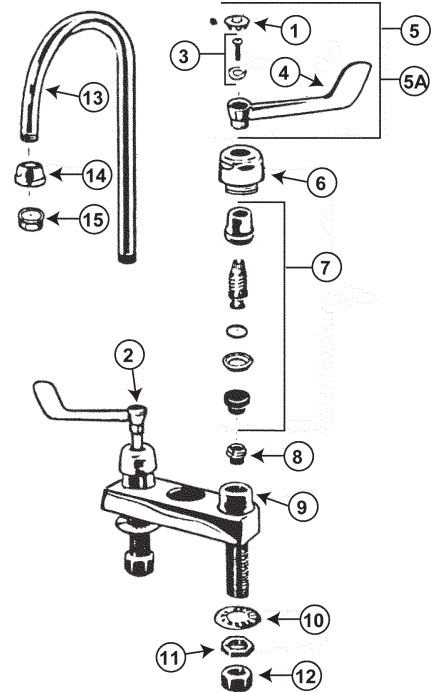
ITEM	PART #	DESCRIPTION	ITEM	PART #	DESCRIPTION
1	40120270	Cold index	26		Sleeve
	40120749	Hot index	27		Nut
2	40120394	Handle screw	28	40800529	Washer
3	40120032	Cold handle S/A	29	51000048	Lock nut
	40120031	Hot handle S/A			
3A	01894002	4 Arm handle S/A - cold			
	40120804	4 Arm handle S/A - hot			
4	01895665	Lift rod S/A			
5	40120281	Bonnet			
6	01894065	Escutcheon holder			
7	40120186	Escutcheon			
8	40120228	Lock nut			
9	40120002	Stem R.H. (Hot)			
	40120018	Stem (Cold) - use with #3 handle			
10	01893887	Cold Stem			
	01893888	Hot Stem			
11	40120000	Seat - brass			
	40120222	Seat - monel			
12		Washer			
13	40120584	Lock nut			
14		Body & Tee S/A			
15	01895635	Coupling nut			
16	01895783	S.J. nut			
17	40120561	Friction washer			
18	40120292	S.J. washer			
19	40120165	Lock nut			
20	01895782	Washer			
21	01895437	Gooseneck spout S/A w/aerator			
22		Gooseneck spout S/A w/spray			
23		Gooseneck offset spout			
24	40400055	Aerator			
25	01895122	Spray			



For Flex All Faucets
Order Flexible Tube Kit
Part # 01895435

AMERICAN STANDARD HERITAGE SERIES 7516

ITEM	PART #	DESCRIPTION
1	40120270	Cold index
2	40120749	Hot index
3	40120394	Screw w/ lock washer
4		4" Handle
5	40120032	Cold handle S/A
5A	40120031	Hot handle S/A
6	40120582	Bonnet
7	01893888	Stem - hot
	01893887	Stem - cold
8	40120000	Seat - brass
9		Body & shank
10	40800529	Washer
11	40800598	Lock nut
12	40800454	Coupling nut
13	01895805	Gooseneck
14	40120607	Adapter
15	40400055	Aerator



Aquaseal
Diaphragm
Part # 40120005



**TOTAL
MAINTENANCE
SOLUTIONS**

HOUSTON
800/392-5066

ORLANDO
800/327-3022

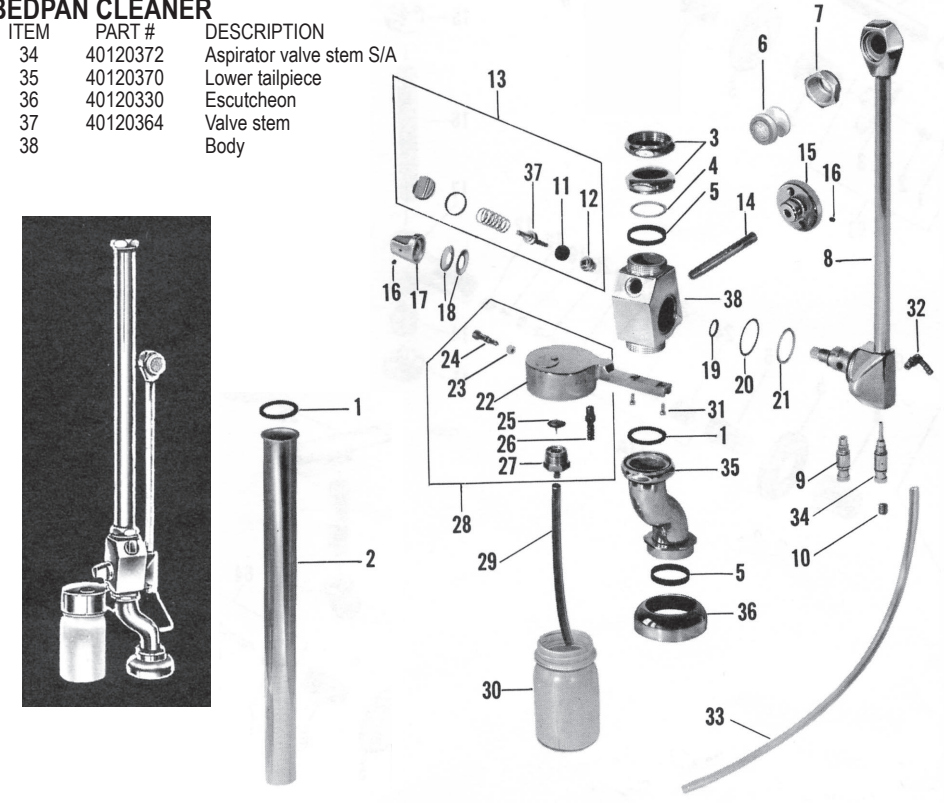
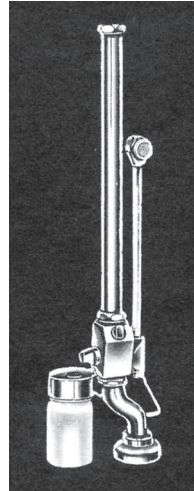
GREENVILLE
800/476-2212

LOOK FOR US ON THE WEB AT: www.TMSSouth.com

FAUCET REPAIR

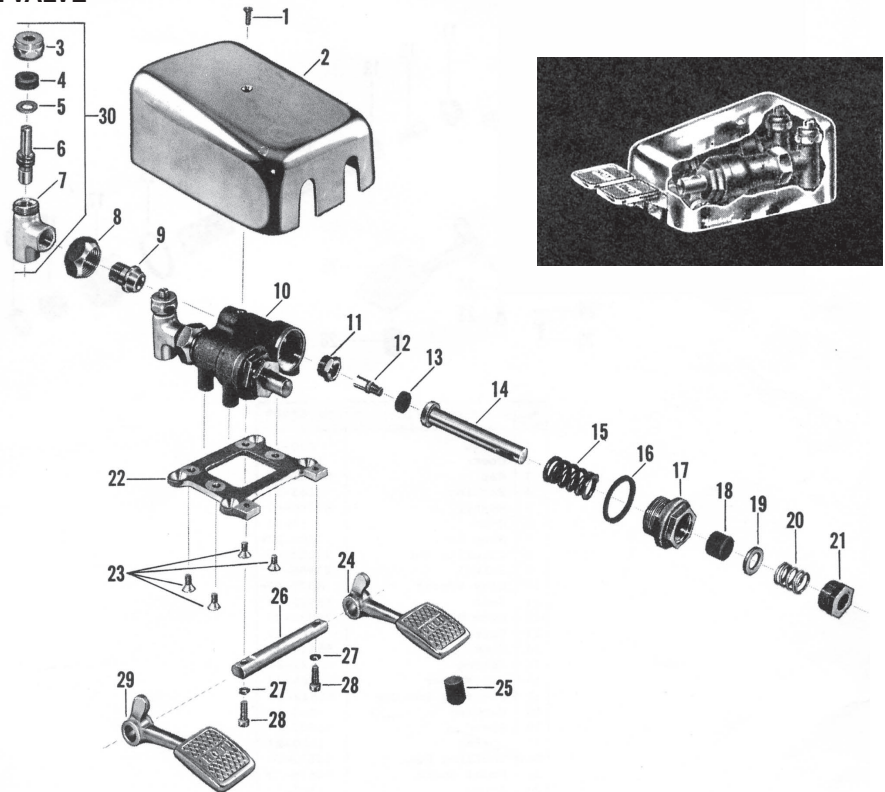
AMERICAN STANDARD SPRA-FLEX BEDPAN CLEANER

ITEM	PART #	DESCRIPTION
1	40120420	Gasket
2	40123053	Upper tailpiece
3	40120380	Slip joint nut
4	40120379	Sweat ring
5	40950007	Slip joint washer
6	40120529	Spray director
7	40120369	Retainer
8	NLA	Spray arm S/A
9	40120274	Valve stem & o-ring
10		Pipe plug
11	40120301	Seat washer
12	40120189	Seat
13	40120528	Stem assembly
14	40120368	Support arm
15	40120366	Support bracket
16	01893349	Set screw
17	40120363	Retaining cap nut
18	40120365	Belleville washer
19	24001036	O-Ring
20	40120361	O-Ring
21	40120362	Friction washer
22	NLA	Deoseptic cap
23	40120371	Nylon insert
24	01891592	Meter valve stem
25	40120275	Check valve & plate
26	40120367	Adapter
27	40120602	Adapter
28	40120604	Deoseptic cap S/A
29	40120603	Tubing
30	40120358	Widemouth jar
31	40120360	Screw
32	40120601	Adapter
33	40120359	Tubing



AMERICAN STANDARD DOUBLE PEDAL VALVE

ITEM	PART #	DESCRIPTION
1	40120287	Screw
2	40120805	Cover
3	40120454	Cap
4	40120155	Packing
5	40120455	Washer
6	40120149	Stem
7	NLA	Stop body
8	40120576	Coupling nut
9	40120578	Swivel
10	NLA	Body w/seats
11	40120480	Seat
12	40120554	Stem guide
13	40120282	Seat washer
14	40120478	Stem
15	40120146	Spring
16	40120163	Washer
17	40120484	Stuffing box
18	40120278	Packing
19	40120479	Gland
20	40120303	Spring
21	40120477	Stuffing nut
22	NLA	Base plate
23	NLA	Screw
24	40120485	Pedal - cold
25	40120150	Bumper
26	40120475	Pedal shaft
27	40120158	Lock washer
28	40120304	Screw
29	40120486	Pedal - hot
30	40120337	Stop S/A



**TOTAL
MAINTENANCE
SOLUTIONS**

HOUSTON
800/392-5066

ORLANDO
800/327-3022

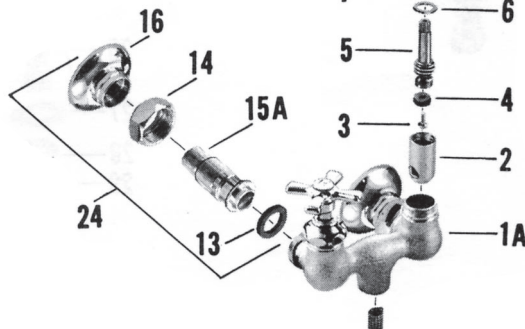
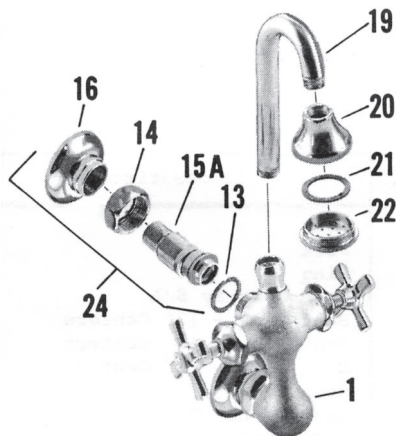
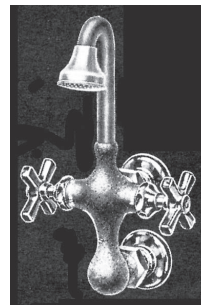
GREENVILLE
800/476-2212

LOOK FOR US ON THE WEB AT: www.TMSouth.com

FAUCET REPAIR

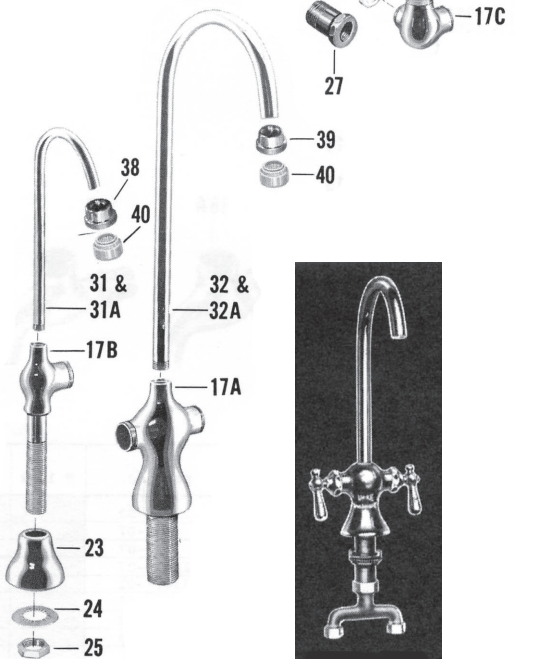
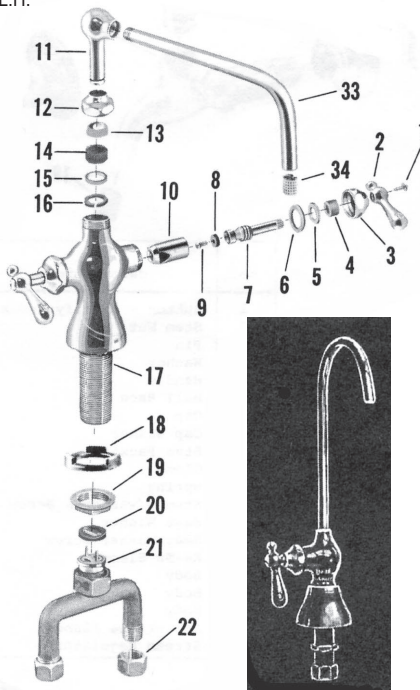
AMERICAN STANDARD RE-NU DOUBLE FAUCET

ITEM	PART #	DESCRIPTION	ITEM	PART #	DESCRIPTION
1		Body	22	01895612	Spray face
1A		Body	23	40120136	Handle S/A cold
2	40120040	Re-Nu sleeve (hot or cold)	40120137	40120137	Handle S/A hot
3	50100010	Seat washer screw	24	40120550	Shank S/A
4	40110094	Seat washer			
5	43041032	Stem w/washer & screw			
6	40120129	Brass washer			
7	40120128	Stem packing			
8	40120127	Cap washer			
9	40120557	Cap			
10		Handle (see item 23)			
11	40120125	Handle screw			
12	40120123	Button - cold			
12A	40120124	Button - hot			
13	40120135	Coupling washer			
14	40120312	Coupling nut			
15A	40120550	Shank			
16	01890595	Shank flange			
17	40120375	Stream regulator			
19	40120185	Gooseneck			
20	01895611	Spray head			
21	40120160	Face washer			



AMERICAN STANDARD PANTRY FAUCETS

ITEM	PART #	DESCRIPTION	ITEM	PART #	DESCRIPTION
1	40120157	Handle screw	33		Spout only
2	40120308	Cold handle	34	40120376	Stream regulator
	40120309	Hot handle	35	40120320	Spout cap washer
3	40120126	Cap	36		Brass washer
4	40120319	Stem packing	37	40120562	Split ring
5	40120129	Washer	38	40120607	Adapter
6	40120127	Cap washer	39	40120607	Adapter
7	40120076	Stem w/washer & screw R.H.	40	40400055	Aerator
	40120022	Stem w/washer & screw L.H.			
8	40110094	Seat washer			
9	40120131	Seat washer screw			
10	40120040	Re-Nu sleeve R.H.			
	40120039	Re-Nu sleeve L.H.			
11	40120382	Spout ball ell			
11A	NLA	Spout ball ell			
12	40120446	Spout cap (kit item only)			
12A	40120300	Spout cap			
13	40120445	Packing gland			
14	40120276	Spout packing			
15	NLA	Spacer washer			
16	NLA	Split packing			
17-17C		Body			
18	NLA	Iron washer			
19	40120579	Lock nut			
20	40120152	Coupling washer			
21		Twin connection			
22	01895635	Coupling nut			
23		Base			
24	40120283	Friction washer			
25	40120165	Lock nut			
26		Male shank			
27		Female shank			
28	01890595	Adj. flange			
29		Gooseneck			
30		Spout			
31		Gooseneck			
31A		Gooseneck for aerator			
32		Gooseneck			
32A		Gooseneck w/ aerator			



TOTAL MAINTENANCE SOLUTIONS

HOUSTON
800/392-5066

ORLANDO
800/327-3022

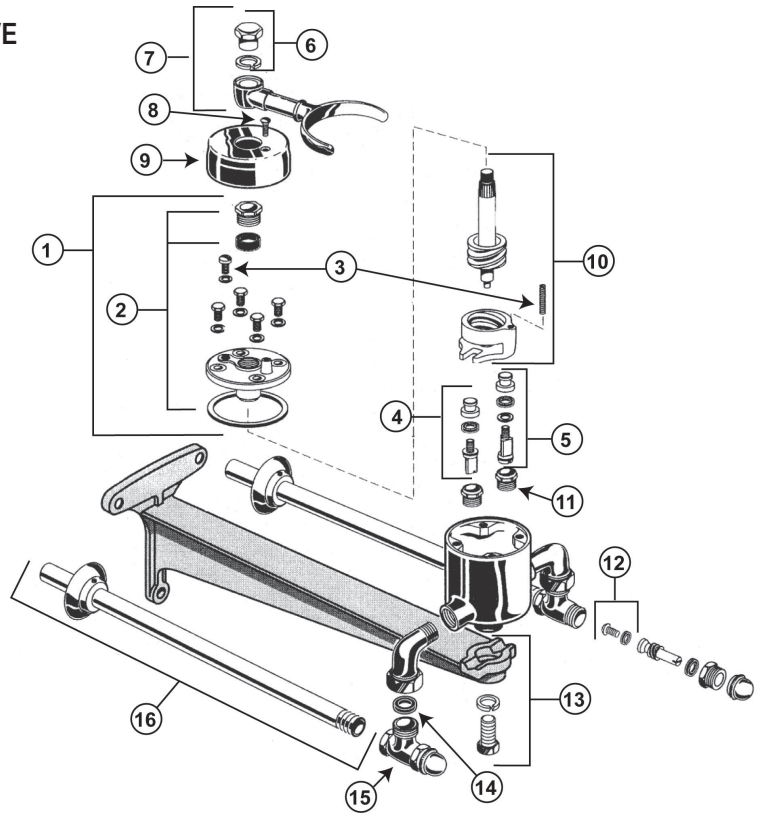
GREENVILLE
800/476-2212

LOOK FOR US ON THE WEB AT: www.TMSSouth.com

FAUCET REPAIR

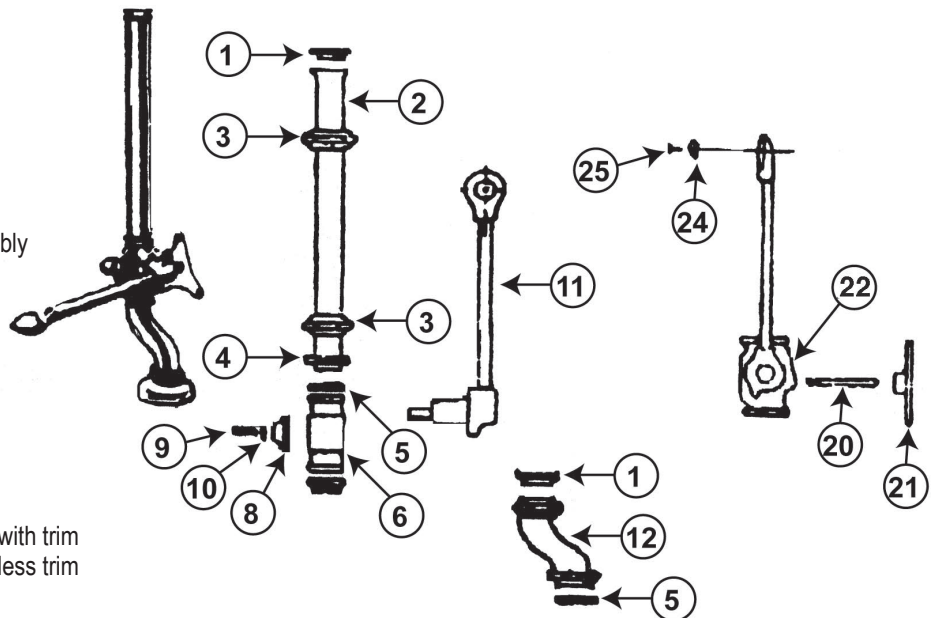
**AMERICAN STANDARD KNEE ACTION MIXING VALVE
MODEL 7676.018, 7676.029**

- 1 40120806 Cap Kit
- 2 40120807 Packing and gasket kit
- 3 40120808 Regulating screw & cap
- 4 40120809 Hot valve
- 40120148 Hot seat washer
- 5 40120810 Cold valve
- 40120181 Cold seat washer
- 6 Handle nut & washer
- 7 Stirrup handle kit
- 8 Cover screw
- 9 Dial plate & cover screw
- 10 40120811 Stem & yoke
- 11 40120812 Seat
- 12 Seat washer & screw
- 40110094 Washer
- 13 Support & screw
- 14 40120336 Coupling screw
- 15 Stop
- 16 Supply pipe & escutcheon



**AMSCO - GRAY ENGINEERING - DIVERTER MODEL 7C
(FORMERLY AMERICAN STERILIZER)**

- 1 40950002 Flanged washer 1-3/4" OD
- 2 Upper tailpiece 1-1/2" x 20"
- 3 40800036 S.J. Nut
- 4 40950103 Brass ring
- 5 40950008 S.J. washer
- 6 Valve washer
- 7 01501000 Nylon washer
- 8 01501002 Plug washer
- 9 01501004 Plug tension spring
- 10 01501006 Acorn nut
- 11 01501008 Diverter arm plug assembly
- 12 40120370 Lower offset tailpiece
- 19 Adjusting screw
- 20 Support tube
- 21 Wall bracket
- 22 Stop pin
- 24 Spray Disc - Nylon
- 25 01501012 Screw
- 31 Set screw 10-32 x 1/4
- 32 40261063 Spud flange
- 01502000 Complete diverter valve with trim
- 01502500 Complete diverter valve less trim



**TOTAL
MAINTENANCE
SOLUTIONS**

HOUSTON
800/392-5066

ORLANDO
800/327-3022

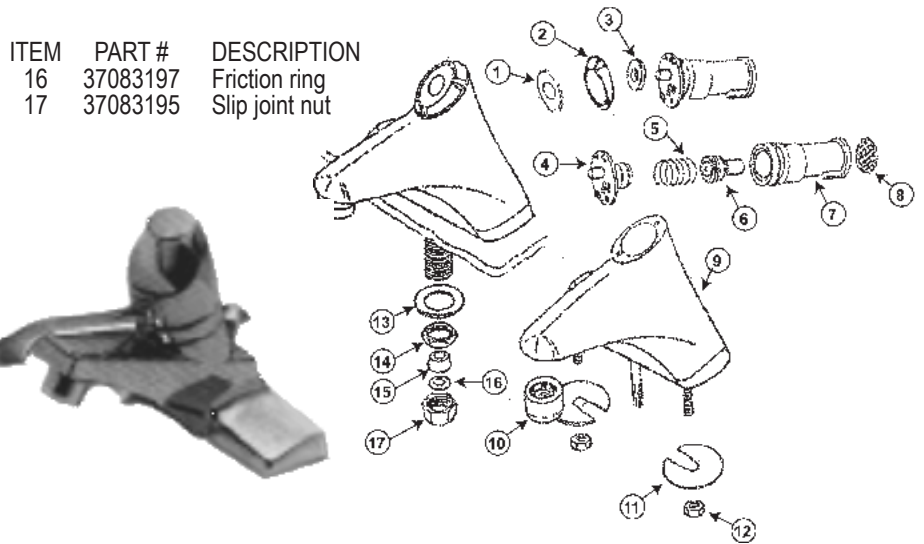
GREENVILLE
800/476-2212

LOOK FOR US ON THE WEB AT: www.TMSSouth.com

FAUCET REPAIR

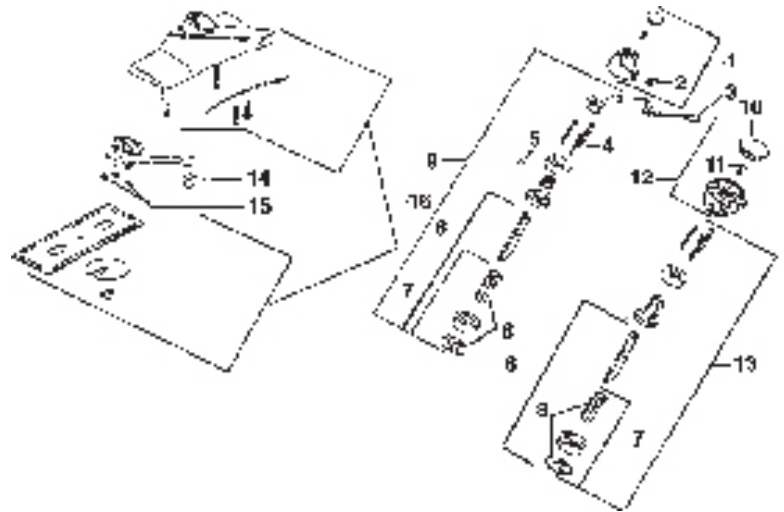
BRADLEY METERING FAUCET (90-75)

ITEM	PART #	DESCRIPTION
1	37082417	Label lens
2	37083368	Button - chrome
1-2	37081114	Chrome button assy.
	37081112	Black plastic button assy.
3	37082546	Soap guard washer
4	41021144	Upper valve body assy.
5	37082685	Spring
6	41021146	Plunger assembly
7	41021147	Lower valve body assy.
8	37082905	Filter disc
4-8	40120033	Cartridge kit
9		Shell body
10	37081375	Sprayhead assy.
11	37083379	Washer
12	37083008	Nut
13	37082779	Washer
14	37082290	Nut
15	37083196	Slip joint washer



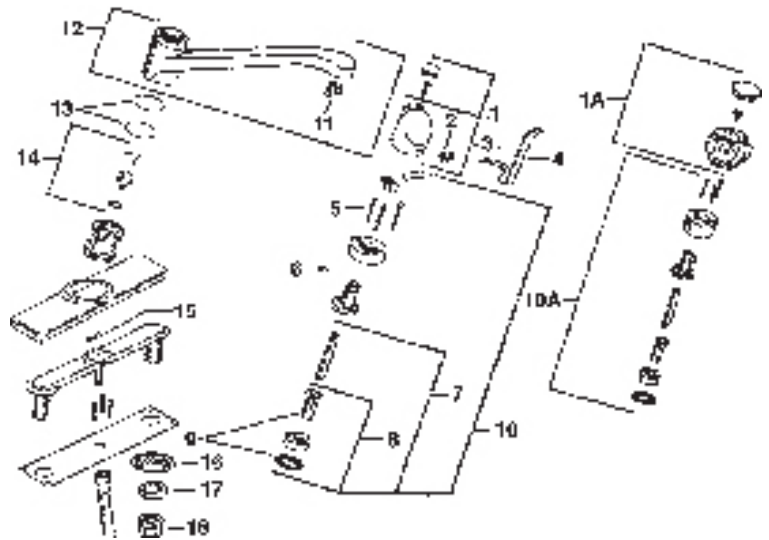
BRADLEY/BRIGGS SINGLE LEVER LAVATORY

ITEM	PART #	DESCRIPTION
1	31090187	Lever knob assembly
2	31090148	Grommet
3	31090154	Lever handle
4	31090142	Cartridge screw
5	31090138	Snap ring
6	40140001	Sleeve kit, gasket, cartridge & cam
7	40120271	Sleeve kit, gasket & cartridge
8	31090212	Sleeve kit & gasket
9	40140006	Cartridge assembly - lever handle
10	31090156	Plug button
11	31090090	Handle screw
12	40110201	Knob handle assembly
13	31090178	Cartridge assembly - knob handle
14	40110130	Aerator
15	31090096	O-ring
16	31090186	Escutcheon assembly



BRADLEY/BRIGGS SINGLE LEVER KITCHEN

ITEM	PART #	DESCRIPTION
1	31090187	Lever knob assembly
1A	40110201	Knob handle assembly
2	31090148	Grommet
3	31090190	Knob & grommet
4	31090100	Lever handle
5	31090142	Cartridge screw
6	31090138	Snap ring
7	40140001	Sleeve kit, gasket, cartridge & cam
8	40120271	Sleeve kit, gasket & cartridge
9	31090212	Sleeve kit & gasket
10	40140006	Cartridge assembly - lever handle
10A	31090210	Cartridge assembly - knob handle
11	40110144	Aerator
12	31090200	Spout assembly
13	31090095	Spout o-ring
14	31090202	Diverter unit
15	31090096	O-ring
16	40800529	Washer
17	51000048	Locknut
18	40800454	Brass basin nut



**TOTAL
MAINTENANCE
SOLUTIONS**

HOUSTON
800/392-5066

ORLANDO
800/327-3022

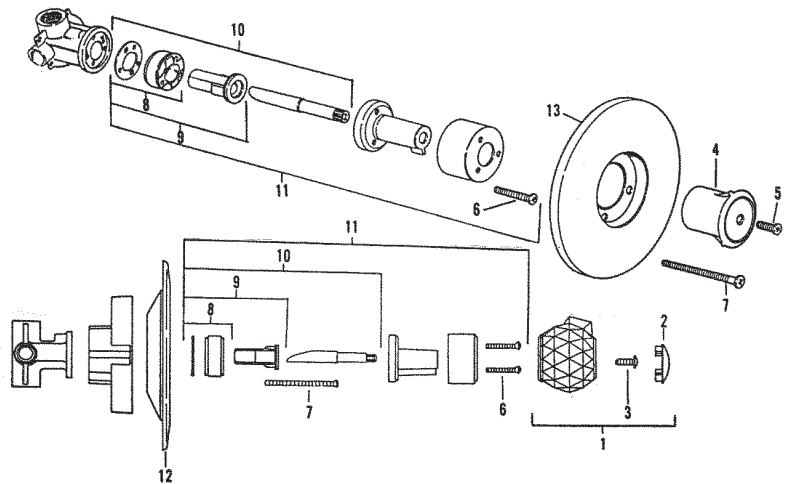
GREENVILLE
800/476-2212

LOOK FOR US ON THE WEB AT: www.TMSSouth.com

FAUCET REPAIR

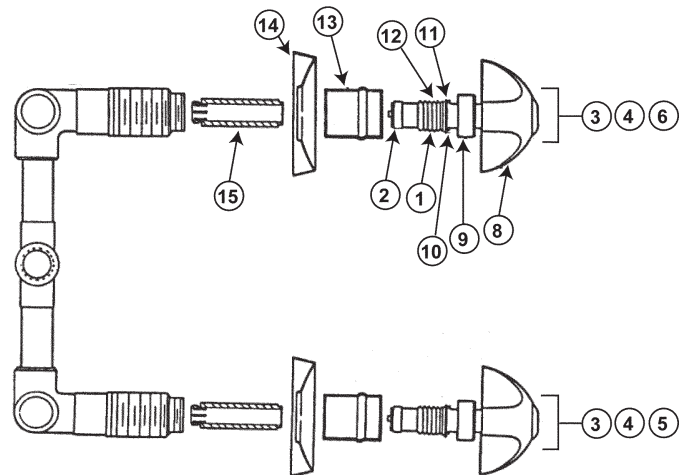
BRADLEY BRADTROL VALVES BRIGGS AURORA, CASCADE & SCEPTRE II

ITEM	PART #	DESCRIPTION
1	40110201	Knob handle kit
2	31090156	Plug button
3	31090090	Handle screw
4	37082629	Handle - Bradtrol
5	40121086	Handle screw - Bradtrol
6	31090142	Cartridge screw
7	31090162	Escutcheon screw
8	31090212	Sleeve kit & gasket
9	40120271	Sleeve kit, gasket & cartridge
10	40140001	Sleeve kit, gasket, cartridge & cam
11	31090150	Cartridge assembly
12		Escutcheon - Aurora
		Escutcheon - Cascade & Sceptre II
13		Escutcheon - Bradtrol



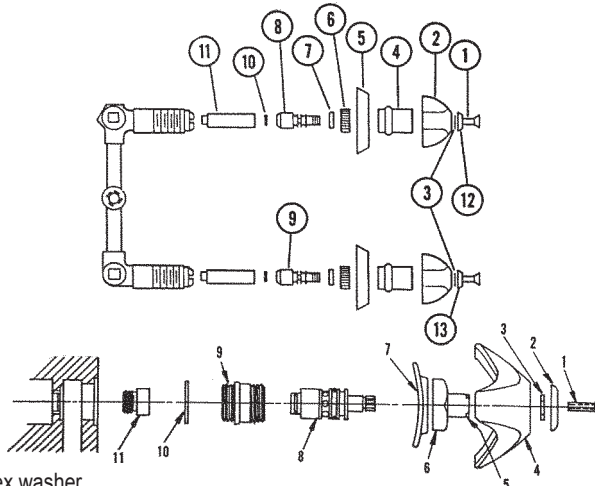
BRADLEY HOT & COLD VALVES (3/83 TO PRESENT)

ITEM	PART #	DESCRIPTION
1	41021096	Valve stem
2	40120816	Extension
3	40121083	Washer
4	40120817	Screw
5	40120830	Red index washer
6	40121084	Blue index washer
8	37082641	Handle
9	40120820	Bonnet
10	40950026	O-ring
11	41021094	Fibre washer
12	40120821	Brass washer
13	40120822	Sleeve
14	40120823	Escutcheon
15	40120824	Seat



BRADLEY POS-I-PAK VALVES JANUARY 1978 TO MARCH 1983

ITEM	PART #	DESCRIPTION
1	37082980	Screw
2	37082641	Handle
3	40121083	Washer
4	NLA	Escutcheon sleeve
5	40120826	Escutcheon
6	40120827	Cap
7	40950026	O-ring
8	37081748	Valve unit
9	37081749	Valve unit
10	40950021	O-ring
11	40120829	Waterway sleeve
12	40121084	Blue index washer
13	40120830	Red index washer



CONVERSION KITS FOR OBSOLETE POS-I-PAK TO CURRENT STYLE
For column showers order # 41021090
For wall mounted showers order # 41021091
Kit does not include handle, screw or index washer

BRADLEY POS-I-PAK (OBSOLETE)

ITEM	PART #	DESCRIPTION
1	40120817	Handle Screw
2	37082791	Tempered Index
	40121084	Cold Index
	40120830	Hot Index
3	40121083	Washer
4	41021085	Handle
5	37082867	Adapter
6	NLA	Bonnet
7	NLA	Escutcheon
8	43631013	Valve unit - Cold (Not OEM)
	43631014	Valve unit - Hot (Not OEM)
9	NLA	Valve body
10	37082536	Washer
11	37082429	Valve seat
	37082430	Valve seat - column shower



**TOTAL
MAINTENANCE
SOLUTIONS**

HOUSTON
800/392-5066

ORLANDO
800/327-3022

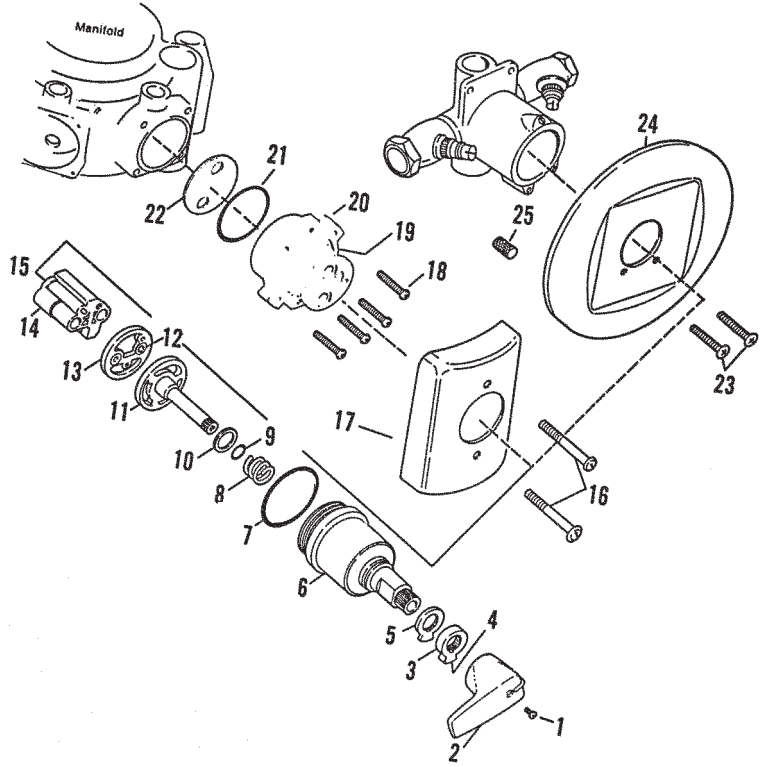
GREENVILLE
800/476-2212

LOOK FOR US ON THE WEB AT: www.TMSSouth.com

FAUCET REPAIR

BRADLEY EQUA-FLO #478 — FIRST GENERATION FURNISHED TO MAY 1982

ITEM	PART #	DESCRIPTION
1	40120831	Handle screw
2	40120221	Handle
3	37082809	Hot limit stop
4	40120832	Set screw
5	40120833	Off stop
6	40120834	Cap
7	40120835	O-ring *
8	40120836	Spring
9	40120837	O-ring *
10	40120838	Washer *
11	40120839	Rotor
12	40120840	Double face seal *
13	40120841	Gland assembly (NLA use 37081153)
14	40120842	Cartridge assembly - NLA (use 37081153 Conversion kit)
15	37082614	Square ring *
16	40120843	Escutcheon screws (2)
17	40120844	Escutcheon (6 person)
17A	40120845	Escutcheon (2-5 person)
18	40121085	Screws (4)
19	40120846	Set screw
20	40120847	Valve body
21	41021168	Gasket
22	41021169	Gasket
23	40121086	Screw
24	40120861	Escutcheon-Individual
24A	40120862	Escutcheon-Wall Saver
24B	40120864	Panelon & Econo-Wall
25	37083249	Screen (2)
*	37081143	Gasket repair kit (items 7, 9, 10, 12 & 15)

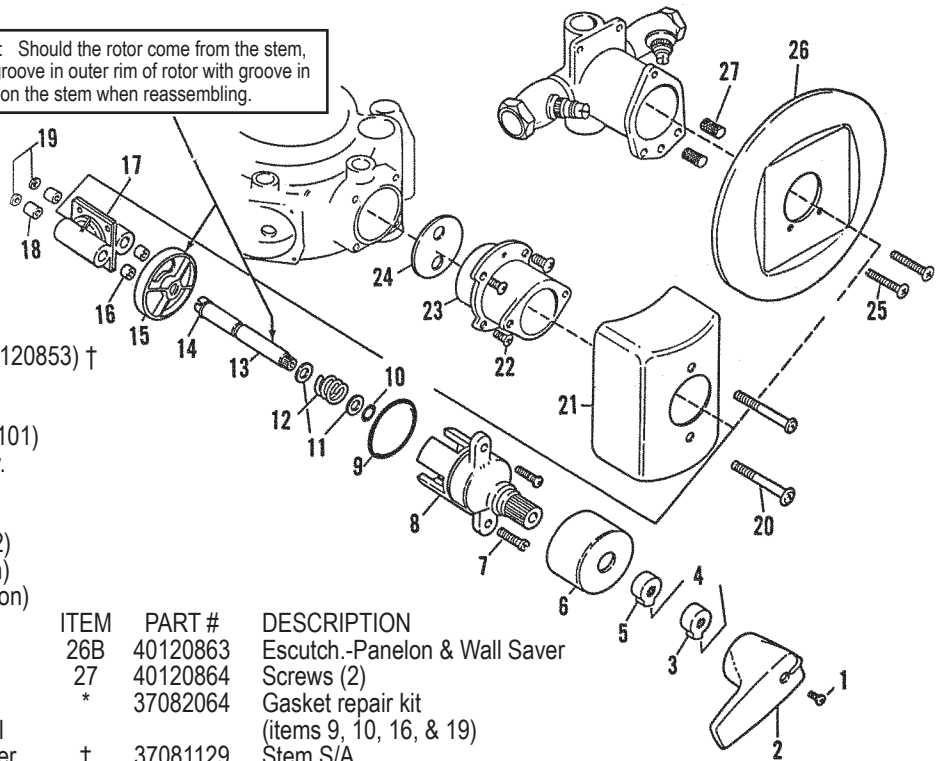


BRADLEY EQUA-FLO #478 — SECOND GENERATION MAY 1982 TO PRESENT

ITEM	PART #	DESCRIPTION
1	40120831	Handle screw
2	40120221	Handle
3	37082809	Hot limit stop
4	40120832	Set screw (2)
5	37082811	Off stop
6	40120848	Cover
7	40120849	Screws (2)
8	40120850	Cap/clamp, plastic
9	37083356	O-ring *
10	40950019	O-ring * †
11	40120851	Washers (2) †
12	40120852	Spring †
13	40120853	Stem †
14	NLA	Shoulder ring (use 40120853) †
15	40120855	Rotor wheel
16	40120865	Face seal *
17	40120101	Cartridge (use 40120101)
18	37082008	Sleeve & flapper assy.
19	37082614	Square ring *
16-19	40120101	Cartridge assembly
20	40120857	Escutcheon screws (2)
21	40120858	Escutcheon (6 person)
21A	40120859	Escutcheon (2-5 person)
22	40121085	Screws (4)
23	40120860	Valve body
24	41021169	Gasket
25	40121086	Escutcheon screw
26	40120861	Escutcheon-Individual
26A		Escutcheon-Wall Saver

NOTE: Should the rotor come from the stem, align groove in outer rim of rotor with groove in spline on the stem when reassembling.

ITEM	PART #	DESCRIPTION
26B	40120863	Escutch.-Panelon & Wall Saver
27	40120864	Screws (2)
*	37082064	Gasket repair kit (items 9, 10, 16, & 19)
†	37081129	Stem S/A



**TOTAL
MAINTENANCE
SOLUTIONS**

HOUSTON
800/392-5066

ORLANDO
800/327-3022

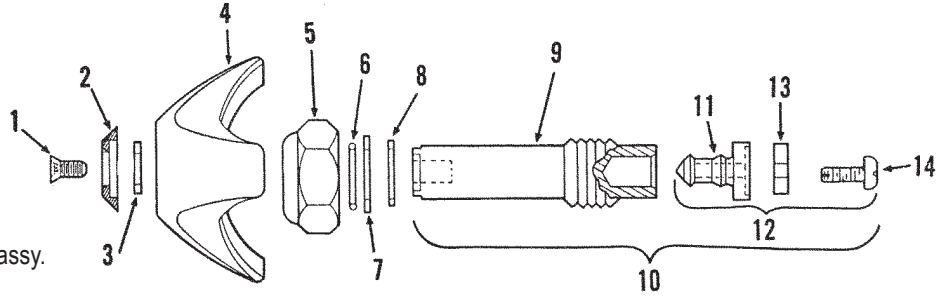
GREENVILLE
800/476-2212

LOOK FOR US ON THE WEB AT: www.TMSSouth.com

FAUCET REPAIR

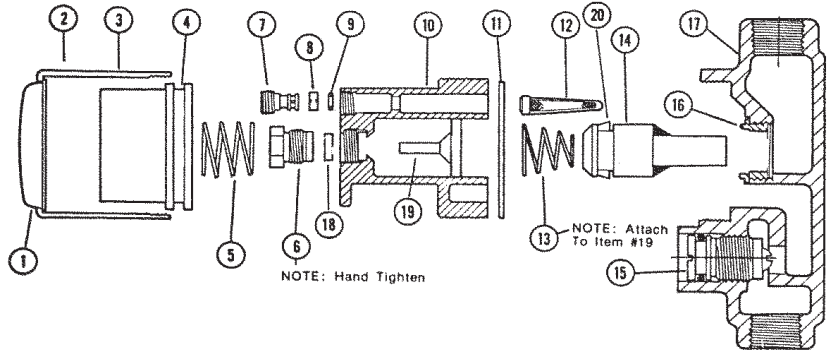
BRADLEY COMPRESSION SHOWER VALVE 1949 TO PRESENT - THIRD S02-031 SERIES

ITEM	PART #	DESCRIPTION	ITEM	PART #	DESCRIPTION	ITEM	PART #	DESCRIPTION
1	40120817	Handle screw	15	NLA	Valve body	Not shown		Escutcheon-wall saver
2	37082791	White index washer	16	37082536	Fibre washer-valve body	37081808		Repair kit w/stem extension (items 6, 7, 11, 13, 14, 16 & 17)
	40121084	Blue index washer	17	41021170	Valve seat			
	40120830	Red index washer	Not shown		Escutcheon -column			
3	37082778	Insert washer						
4	41021085	Handle						
5	37082515	Bonnet						
6	40950026	O-ring						
7	41021094	Fibre washer						
8	41021095	Brass washer						
9	41021096	Valve stem						
10	37081582	Valve stem assy.						
11	37082490	Valve stem extension						
12	40120816	Valve stem extension assy.						
13	40110162	Bibb washer						
14	37082958	Bibb screw						



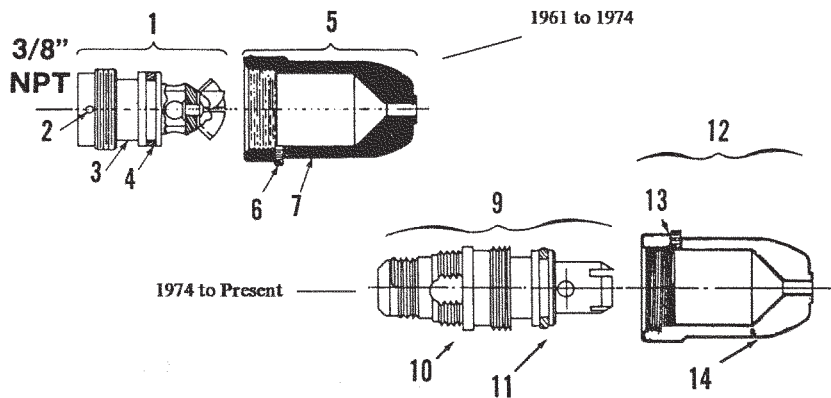
BRADLEY TOUCH'N FLO VALVE

ITEM	PART #	DESCRIPTION	ITEM	PART #	DESCRIPTION	ITEM	PART #	DESCRIPTION
1	40120866	Push button	17	118-121	Bottom body	20	37082611	U-cup
2	40120867	Cover 1-5/8" long	18	37082591	Seat washer	41021113		Repair kit (items 8, 9, 11, 12, 13, & 14)
3	40120868	Cover (indiv.-only) 2-3/4"	19	37082486	Poppet			
4	40120869	Spacer (indiv.-only)						
5	37082686	Spring						
6	37082294	Guide						
7	37081589	Adjusting screw assy.						
8	37082610	Orifice						
9	41021105	O-ring						
10	118-210	Body						
11	40120870	Gasket						
12	41021109	Filter						
13	41021108	Conical spring						
14	41021110	Plunger assy.						
15	41021112	Internal stop core						
16	40120871	Seat						



BRADLEY SHOWER HEADS - COLUMN & WALL SHOWERS

ITEM	PART #	DESCRIPTION
1	37082145	Core assembly
2	37082943	Set screw
3		Core - see item 1
4	37082553	O-ring
5	37082146	Shell assembly
6	37082949	Set screw (2)
7		Shell - see item 5
1-7	41021121	Complete shower head w/core assembly
9	37082149	Core assembly
10		Core - see item 9
11	37082553	O-ring
12	37082146	Shell assembly
13	37082949	Set screw (2)
14		Shell - see item 12



**TOTAL
MAINTENANCE
SOLUTIONS**

HOUSTON
800/392-5066

ORLANDO
800/327-3022

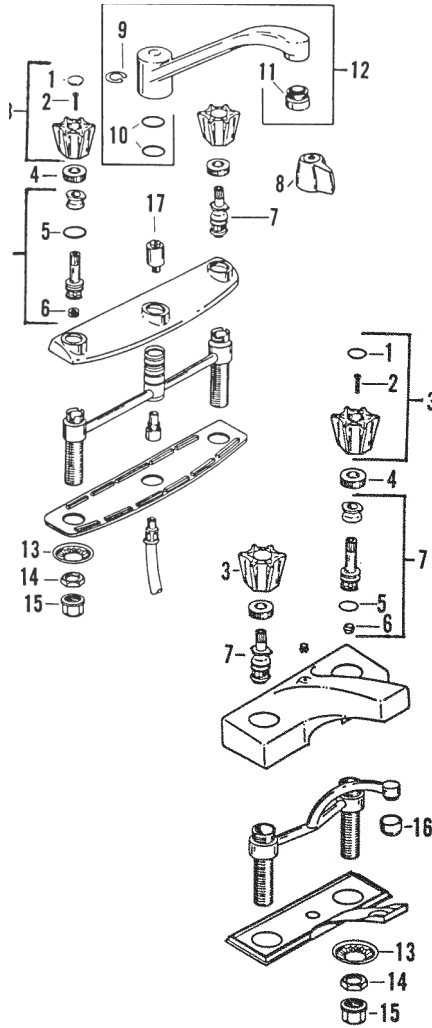
GREENVILLE
800/476-2212

LOOK FOR US ON THE WEB AT: www.TMSSouth.com

FAUCET REPAIR

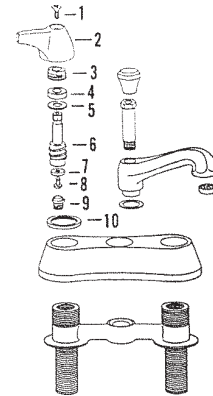
BRADLEY/BRIGGS 2 HANDLE KITCHEN & LAVATORY FITTING

ITEM	PART #	DESCRIPTION
1	31090198	Index button - cold
	31090204	Index button - hot
2	31090210	Handle screw
3	40120813	Handle assy. - cold
	31090224	Handle assy. - hot
4	31090230	Cap - chrome
5	40120622	O-Ring
6	31090250	Seat
7	40120012	Stem - RH
	40120023	Stem - LH
8	31090226	Metal handle - cold
	31090228	Metal handle - hot
9	31090260	Snap ring
10	40120815	O-Ring
11	31090272	Aerator
12	31090270	Sink spout assy.
13	40800529	Crimped washer
14	40800598	Locknut
15	40800454	Coupling nut
16	31090274	Aerator
17	31090168	Diverter



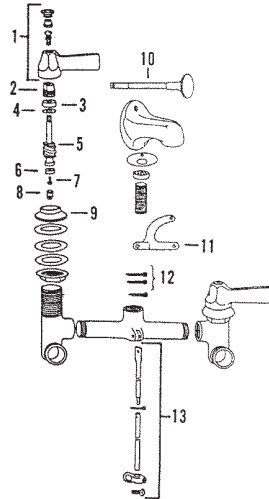
BRIGGS OLD STYLE LAVATORY FITTING T-8828 & 29

ITEM	PART #	DESCRIPTION
1	31100410	Handle screw
2	NLA	Handle - use 31100130 - cold
		Handle - use 31100140 - hot
3	31100584	Bonnet
4	31100582	Packing
5	31100710	Washer
6	43101009	Stem LH (cold)
	43101010	Stem RH (hot)
7	40110177	Stem washer
8	50100012	Screw
9	42000260	Seat
10	31100790	Plate washer



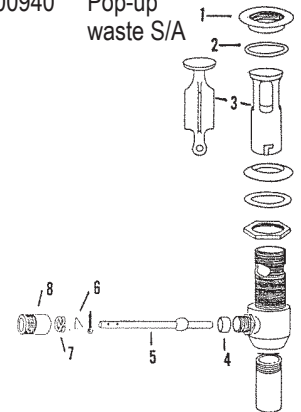
BRIGGS OLD STYLE SHELF-BACK FITTING T-8805 & T-8815

ITEM	PART #	DESCRIPTION
1	31100130	Handle assy. - cold
	31100140	Handle assy. - hot
2	31100700	Bonnet
3	31100640	Packing
4	31100710	Washer
5	43101015	Stem LH (cold)
	43101016	Stem RH (hot)
6	40110177	Stem washer
7	50100012	Screw
8	42000250	Seat
9	31100714	Flange
10	31100716	Knob for lift rod
	NLA	Lift rod
11	31100708	Trip yoke
12	31100706	Cotter pins
13	31100900	Lift rod assy.



BRIGGS OLD STYLE POP-UP WASTE

ITEM	PART #	DESCRIPTION
1	NLA	Flange
2	NLA	O-Ring
3	31100110	Stopper
4	NLA	Packing
5	NLA	Ball lever
6	31100350	Rod clamp
7	NLA	Spring
8	31100460	Packing nut
9	31100940	Pop-up waste S/A



**TOTAL
MAINTENANCE
SOLUTIONS**

HOUSTON
800/392-5066

ORLANDO
800/327-3022

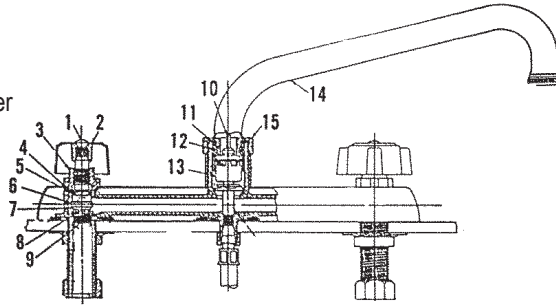
GREENVILLE
800/476-2212

LOOK FOR US ON THE WEB AT: www.TMSSouth.com

FAUCET REPAIR

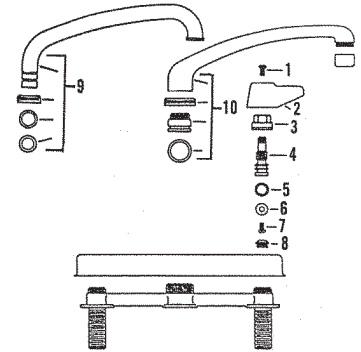
BRIGGS TRIMLINE SINK FITTING T-9153

ITEM	PART #	DESCRIPTION
1	31100410	Handle screw
2	31100440	Handle - hot
	31100442	Handle - cold
3	31100370	Bonnet
4	31100380	Bonnet washer
5	31100320	O-Ring
6	43100840	Stem
7	40110177	Stem washer
8	50100012	Screw
9	42000260	Seat
10	45732002	Diverter unit - upper
11	31100572	Lock ring
12	31100570	O-Ring
13	40130604	Diverter unit - lower
14	31100976	Spout kit
15	31100768	Spout nut
	40110130	Aerator



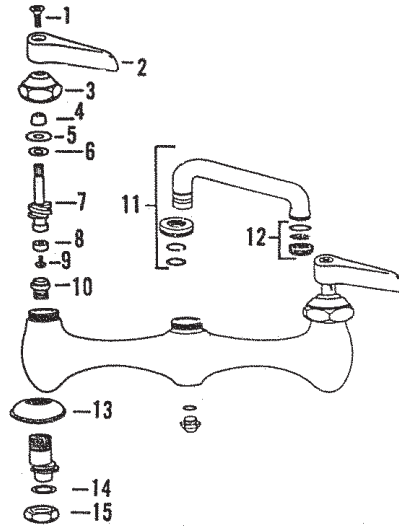
BURLINGTON BRASS SINK FITTING

ITEM	PART #	DESCRIPTION
1	50100030	Handle screw
2	27580340	Handle - hot
	27580320	Handle - cold
3		Bonnet
4		Stem
5	40950023	O-Ring
6	40110119	Seat washer
7	50100010	Screw
3-7	43121010	Stem assy. - hot
	43121009	Stem assy. - cold
8	40120624	Seat
9	31120134	Spout assy.
10	31120136	Spout assy.



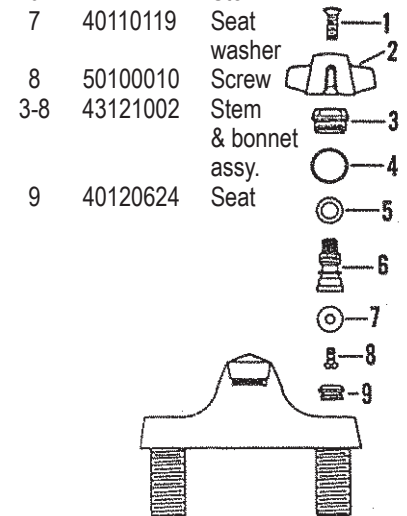
BRIGGS WALL SINK FITTING T-9226

ITEM	PART #	DESCRIPTION
1	31100410	Handle screw
2	31100748	Handle - cold
	31100746	Handle - hot
3	31100300	Cap
4	31100638	Packing
5	31100620	Washer
6	31100648	Washer
7	43101012	Stem - cold
	43101011	Stem - hot
8	40110177	Seat washer
9	50100012	Screw
10	42000240	Seat
11	31100980	Spout assy.
	40110130	Aerator



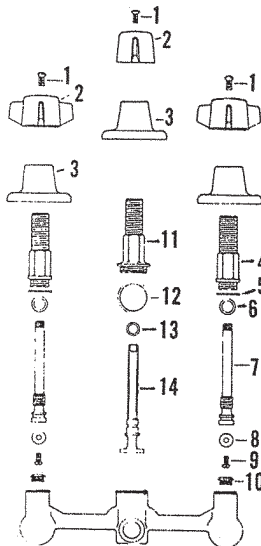
BURLINGTON BRASS LAVATORY FITTING

ITEM	PART #	DESCRIPTION
1	50100030	Handle screw
2	06890570	Cross handle - hot
	06890580	Cross handle - cold
3		Bonnet
4	41720410	Bonnet gasket
5	40950022	O-Ring
6		Stem
7	40110119	Seat washer
8	50100010	Screw
3-8	43121002	Stem & bonnet assy.
9	40120624	Seat



BURLINGTON BRASS TUB & SHOWER FITTING

ITEM	PART #	DESCRIPTION
1	50100030	Handle screw
2	27580520	Handle - hot
	40150157	Handle - cold
	27580530	Handle - diverter, N/S
	19930390	Diverter, O/S
3	40120100	Flange
4		Bonnet
5	NLA	Fibre washer
6	40950022	O-Ring
7		Stem
8	40110119	Seat washer
9	50100010	Screw
4-9	40170023	Stem & bonnet assy.
10	40120624	Seat
11		Diverter bonnet
12	31120108	Diverter washer
13	41001002	O-Ring
14		Stem
11-14	43125000	Diverter assy.



**TOTAL
MAINTENANCE
SOLUTIONS**

HOUSTON
800/392-5066

ORLANDO
800/327-3022

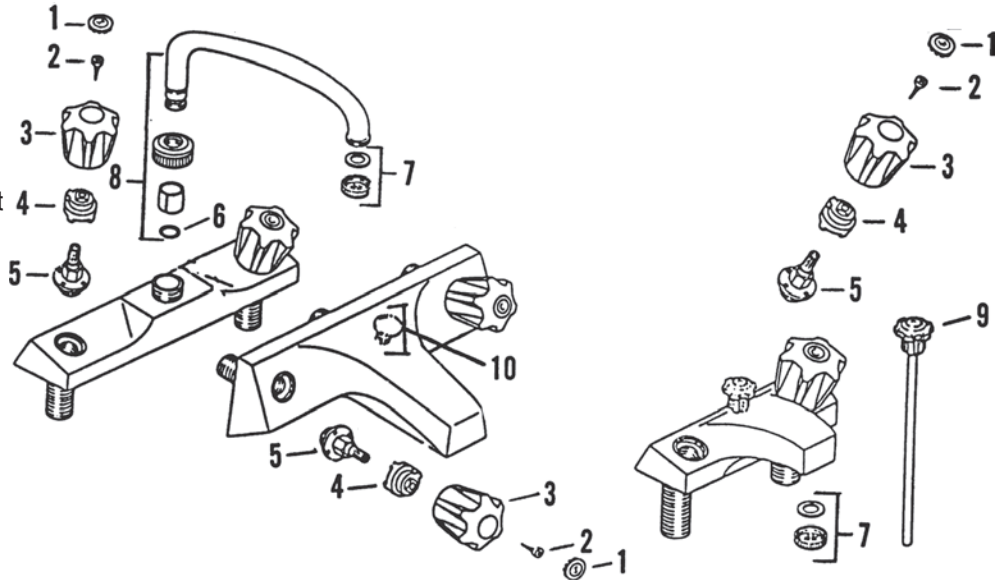
GREENVILLE
800/476-2212

LOOK FOR US ON THE WEB AT: www.TMSSouth.com

FAUCET REPAIR

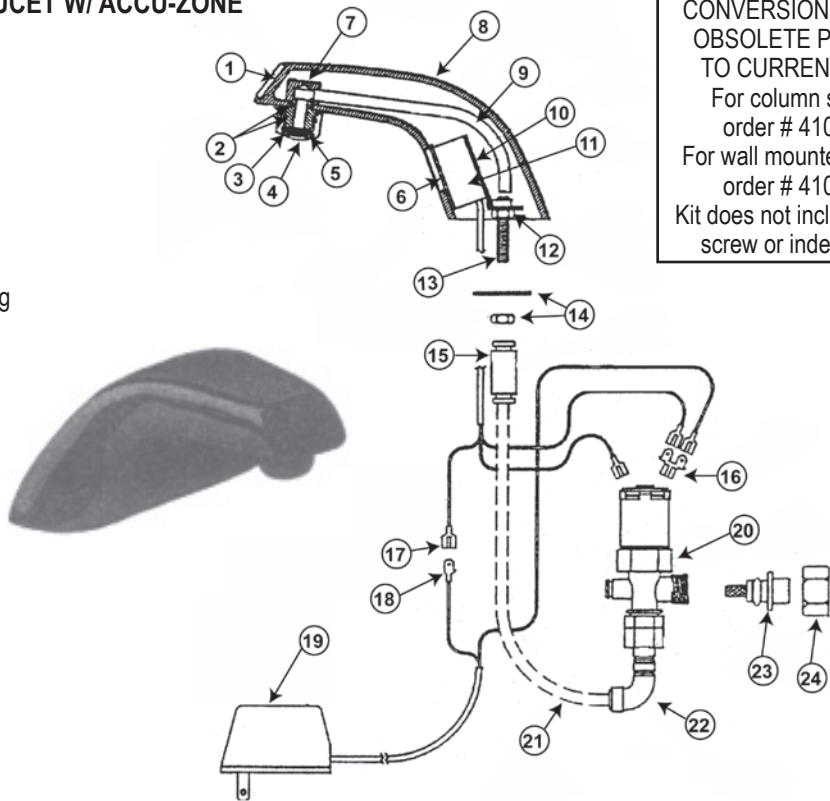
BRISTOL FAUCETS

ITEM	PART #	DESCRIPTION
1	31110130	Hot index
	31110131	Cold index
2	31110120	Handle screw
3	31110110	Handle
4	43111000	Faucet stop
5	43111001	Stem
6	40950025	O-Ring
7	40110130	Aerator
8	31110800	Spout assembly
9	31110450	Lift knob
10	31110500	Diverter repair kit



BRADLEY MODEL 900 FUTURA FAUCET W/ ACCU-ZONE

ITEM	PART #	DESCRIPTION
1		Label assembly
2	37083520	O-ring
3	37083522	Adapter
4	37083524	Sprayhead
5	37083526	Diaphragm
6		Lens
7		Fitting
8		Shell
9		1/4" OD copper tubing
10		Bracket
11	37083528	Sensor
12		Nut
13		Stud
14		Nut & washer kit
15		Coupling nut
16		Adapter
17		Female connector
18		Male connector
19		Transformer
20	37083530	Solenoid valve
21		1/4" OD tubing
22		Tailpiece
23		Filter
24		Nut



CONVERSION KITS FOR
OBSOLETE POS-I-PAK
TO CURRENT STYLE
For column showers
order # 41021090
For wall mounted showers
order # 41021091
Kit does not include handle,
screw or index washer



HOUSTON
800/392-5066

ORLANDO
800/327-3022

GREENVILLE
800/476-2212

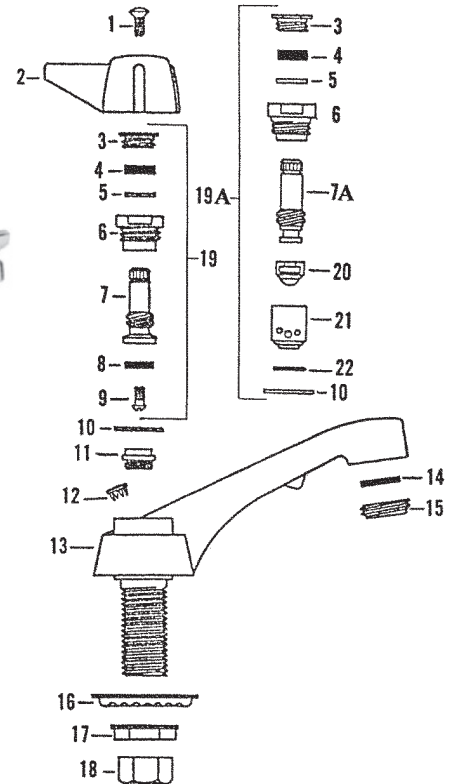
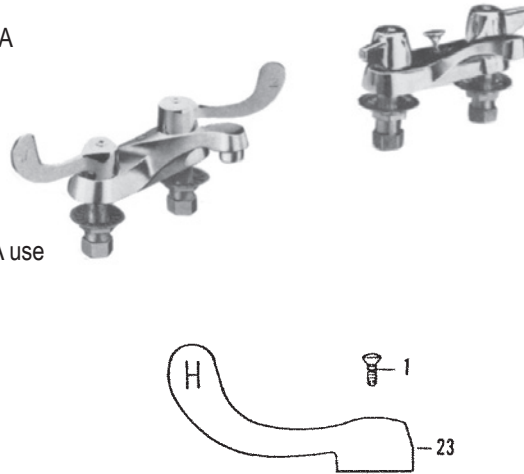
LOOK FOR US ON THE WEB AT: www.TMSSouth.com

FAUCET REPAIR

CENTRAL BRASS 4" CENTERSET

ITEM	PART #	DESCRIPTION
1	40120619	Handle screw
2	40120036	Hot handle
	40120037	Cold handle
3	40120503	Packing nut
4	40120504	Packing
5	40120505	Packing ring
6		Bonnet - see item 19
7		Stem - see item 19
7A		Stem - see item 19A
8	40110094	Seat washer
9	50100011	Screw
10	40120506	Gasket
11	40120001	Seat - brass
12	02150180	Button
13		Body
14	02150637	Washer
15	02150864	Streamformer (NLA use 40110124)
	40110124	Aerator
16	40800529	Metal washer
17	51000048	Locknut
18	40800454	Coupling nut
19	40120004	Stem assy. R.H.
	40120020	Stem assy. L.H.
19A	40120021	Stem assy. - cold
	40121014	Stem assy. - hot
20		Disc
21		Sleeve
22		Sleeve gasket

ITEM	PART #	DESCRIPTION
	02150100	Repair kit (items 4,10,20,21 & 22)
23	40120872	4" wrist handle - hot
	40120873	4" wrist handle - cold

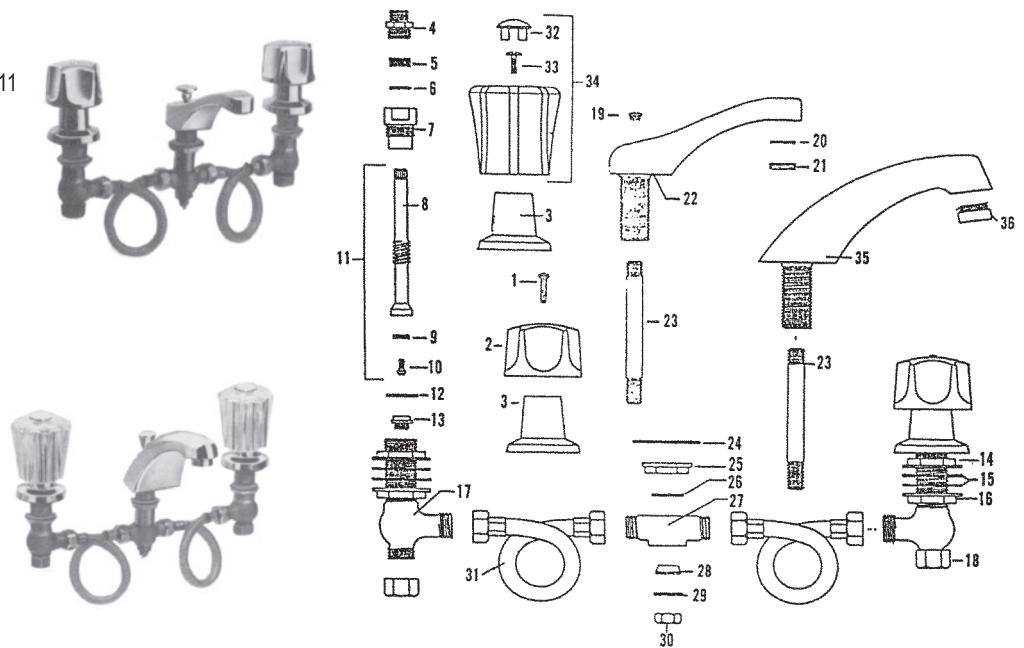


CENTRAL BRASS WIDESPREAD LAVATORY

ITEM	PART #	DESCRIPTION
1	02150224	Handle screw
2	40121088	Hot handle
	40121087	Cold handle
3	02150939	Escutcheon
4	02150204	Packing nut
5	02150902	Packing
6	40120249	Packing washer
7	02151064	Bonnet
8		Stem - see item 11
9	40110094	Washer
10	50100011	Screw
11	43131028	Stem unit assy.
12	40120506	Gasket
13	40120001	Seat - brass
14	02151052	Locknut
15	02150636	Washer
16	02150140	Locknut
17	NLA	Body
18	40110124	Coupling nut
19	02150180	Button
20	40110182	Washer
21	40110124	Stream former
	40110144	Aerator
22	02151054	Spout
23	02150851	Spout tube
24	02150139	Washer
25	02150142	Locknut
26	02150634	Washer
27		Tee
28	02150929	Washer
29	02150122	Washer
30	02150294	Nut

ITEM	PART #	DESCRIPTION
31	02150505	Flexible conn. tube
32	40120522	Cold index
	40120522	Hot index
33	40120521	Handle screw

ITEM	PART #	DESCRIPTION
34	40120874	Cold acrylic handle
	40120875	Hot acrylic handle
35		Spout
36	40110144	Aerator



**TOTAL
MAINTENANCE
SOLUTIONS**

HOUSTON
800/392-5066

ORLANDO
800/327-3022

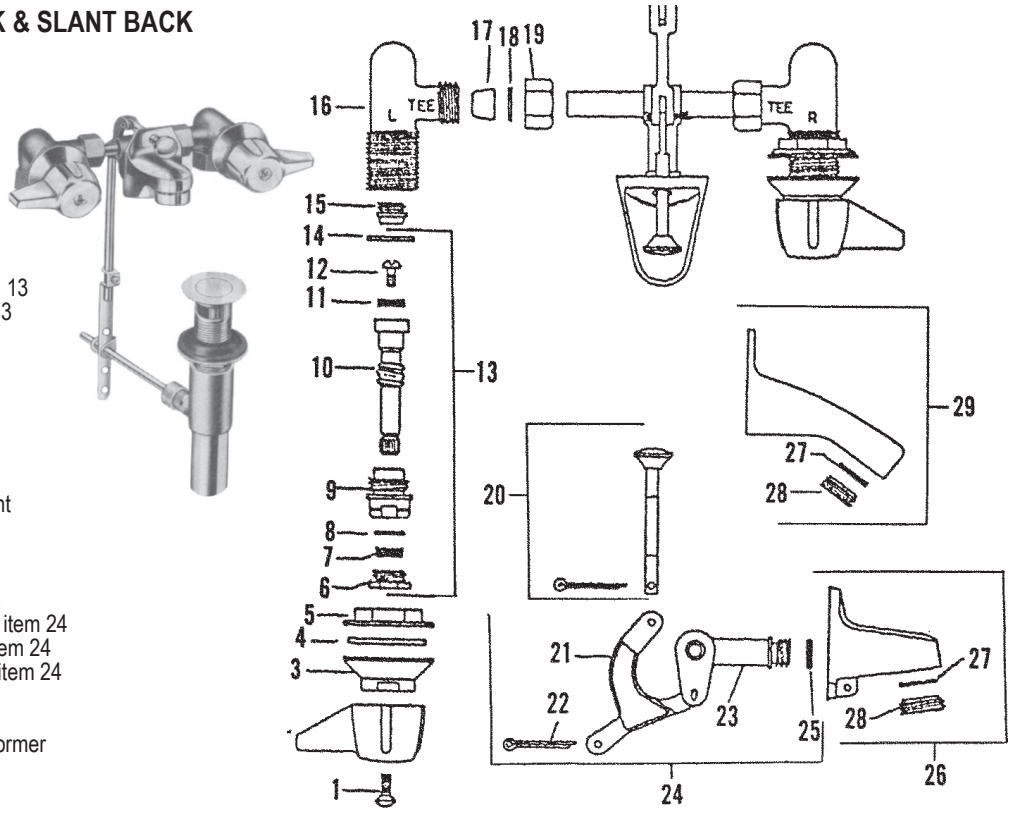
GREENVILLE
800/476-2212

LOOK FOR US ON THE WEB AT: www.TMSSouth.com

FAUCET REPAIR

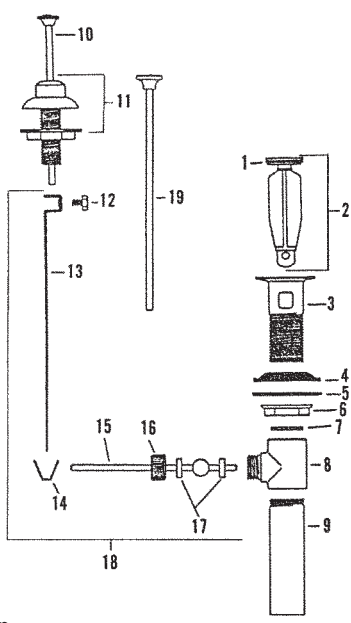
CENTRAL BRASS SHELF BACK & SLANT BACK

ITEM	PART #	DESCRIPTION
1	40120619	Handle screw
2	40120037	Cold handle
	40120036	Hot handle
3	40120260	Escutcheon
4	02150636	Gasket
5	02150140	Locknut
6	40120503	Packing nut
7	40120504	Packing
8	40120249	Packing washer
9		Bonnet - see item 13
10		Stem - see item 13
11	40110094	Seat washer
12	50100011	Screw
13	40171015	Stem assy. L.H.
	43131014	Stem assy. R.H.
14	02150372	Washer
15	NLA	Seat - brass
16		Corner body - left
		Corner body - right
17	02150929	Cone washer
18	02150121	Washer
19	40800454	Coupling nut
20	02150120	Rod & knob w/pin
21		Rocker arm - see item 24
22		Cotter pin - see item 24
23		Center Tee - see item 24
24	02151078	Rocker arm & tee
25	40950023	O-ring
26	02150771	Spout w/stream former
27	02150637	Gasket
28	02150864	Stream former
	40110144	Aerator
29	40151178	Spout assy. - slant back



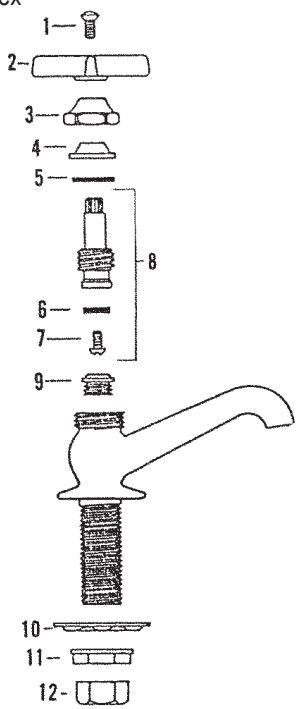
CENTRAL BRASS POP-UP DRAIN

ITEM	PART #	DESCRIPTION
1	40950037	O-ring
2	40120876	Stopper
3	02151053	Plug body
4	02150935	Rubber washer
5	40700372	Steel washer
6	02151056	Locknut
7	02150631	Gasket
8		Tee body
9	40801066	Tailpiece
10	02150410	Pull rod
11	02151051	Rod guide
12	02150230	Set screw
13	40995020	Pop-up bracket
14	02150420	Clip
15	02150430	Ball lever
16	02150360	Packing nut
17	40120250	Packing ring
18	40120877	Ball lever & rod group
19	02150412	Pull rod (8-1/2")
	40992125	Pull rod (7-3/4")



CENTRAL BRASS SINGLE LAVATORY FAUCET

ITEM	PART #	DESCRIPTION
1	40120619	Handle screw
2	02150969	Handle - no index
	40120878	Handle - hot
	40120879	Handle - cold
3	40120880	Cap nut
4	40120881	Packing
5	40121089	Brass washer
6	40110094	Washer
7	50100011	Bibb screw
8	43131018	Stem
9	40120001	Seat - brass
10	40800529	Washer
11	51000048	Locknut
12	40800454	Coupling nut

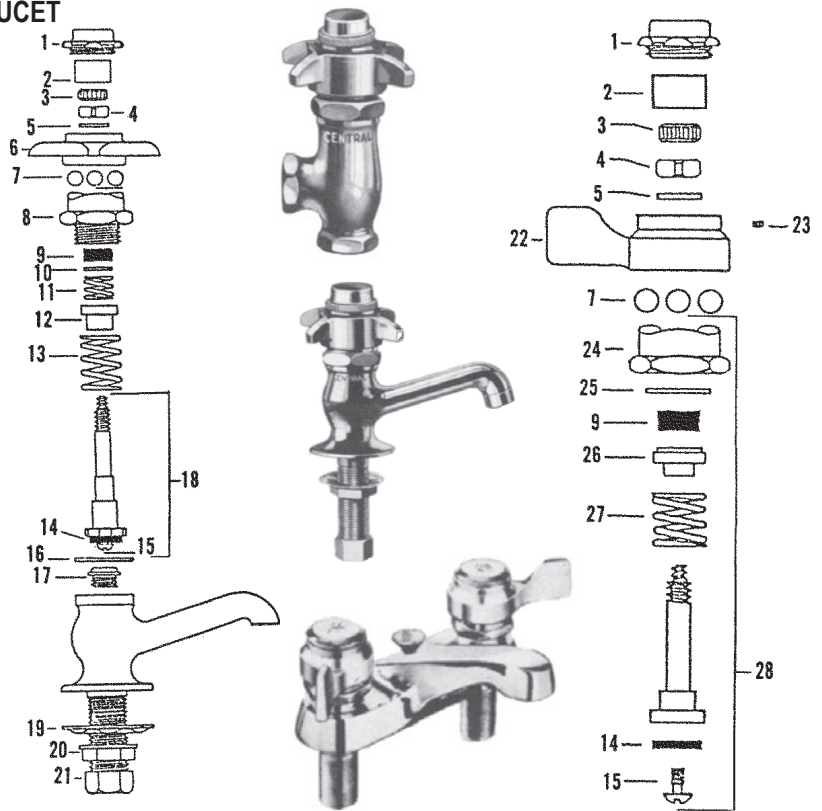


HOUSTON **ORLANDO** **GREENVILLE**
 800/392-5066 800/327-3022 800/476-2212
 LOOK FOR US ON THE WEB AT: www.TMSSouth.com

FAUCET REPAIR

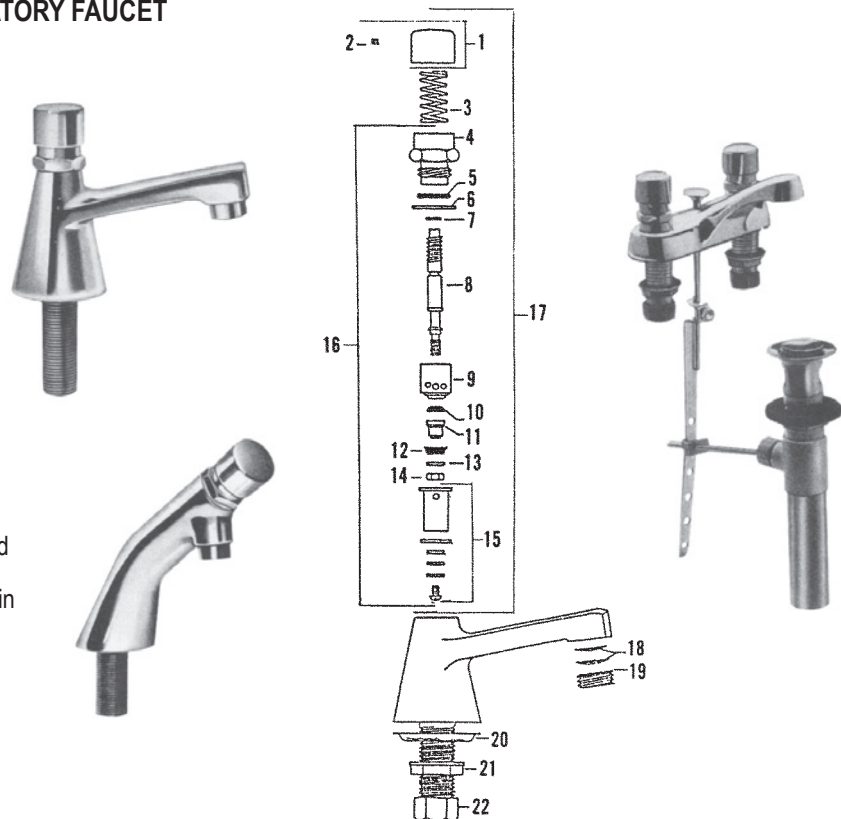
CENTRAL BRASS SELF-CLOSING LAVATORY FAUCET

ITEM	PART #	DESCRIPTION
1	40700368	Cap nut - plain
	02151227	Cap nut - hot
	02151228	Cap nut - cold
2	40700369	Sleeve
3	40700370	Samson nut - R.H.
4	40700371	Samson nut - L.H.
5	40700372	Brass washer
6	40120979	Handle - self-closing
7	40120883	Brass balls w/ retainer
8	40700375	Self-closing bonnet
9	40700376	Packing
10	02150136	Brass washer
11	40120884	Packing spring
12	40700377	Gland
13	40700378	Spring
14	40120251	Washer
15	50100011	Screw
16	02150633	Gasket
17	42000280	Seat
18	40700379	Stem assembly
19	40800529	Washer
20	51000048	Locknut
21	40800454	Coupling nut
22	40120885	Handle
23	02150010	Set screw
24		Centerpiece
25	02150622	Nylon washer
26	02150174	Gland
27	02150937	Spring
28	40120886	Stem assembly
	40100164	3/8" Straight valve w/ lever
	40100177	1/2" Straight valve w/ lever



CENTRAL BRASS SLOW-CLOSE LAVATORY FAUCET

ITEM	PART#	DESCRIPTION
1	40120887	Cold index cap
	40120888	Hot index cap
	02150304	Plain index cap
2	02150010	Set screw
3	02150350	Spring - slow-close
4	02150330	Bonnet
5	40950028	O-ring
6	40120506	Gasket
7	40950017	O-ring
8	40120024	Valve stem
9	40121055	Sleeve
10	02150306	Seat washer
11	02150307	Seat washer holder
12	02150308	Cup washer
13	02150512	Brass washer
14	02150309	Hex nut
15	02150340	Dash pot assy.
16	02150300	Stem & bonnet assy.
17	40120024	Slow-close repair kit-cold
	40120013	Slow-close repair kit-hot
	02150302	Slow-close repair kit-plain
18	40700364	Wire mesh
19	40110124	Stream former
	40110144	Aerator
20	40800529	Washer
21	51000048	Locknut
22	40800454	Coupling nut



**TOTAL
MAINTENANCE
SOLUTIONS**

HOUSTON
800/392-5066

ORLANDO
800/327-3022

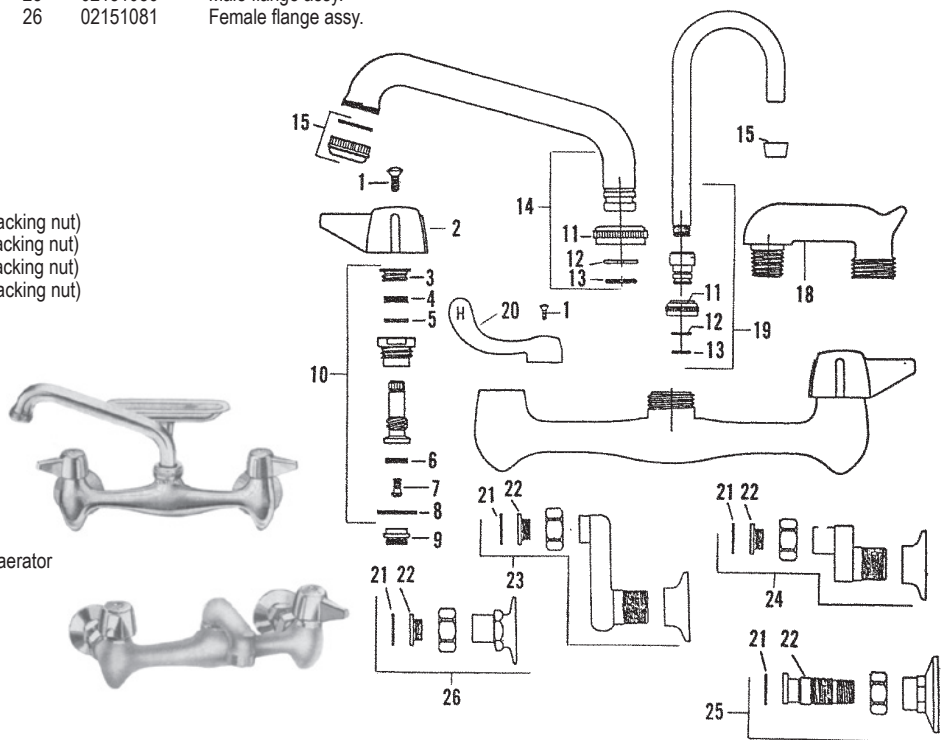
GREENVILLE
800/476-2212

LOOK FOR US ON THE WEB AT: www.TMSSouth.com

FAUCET REPAIR

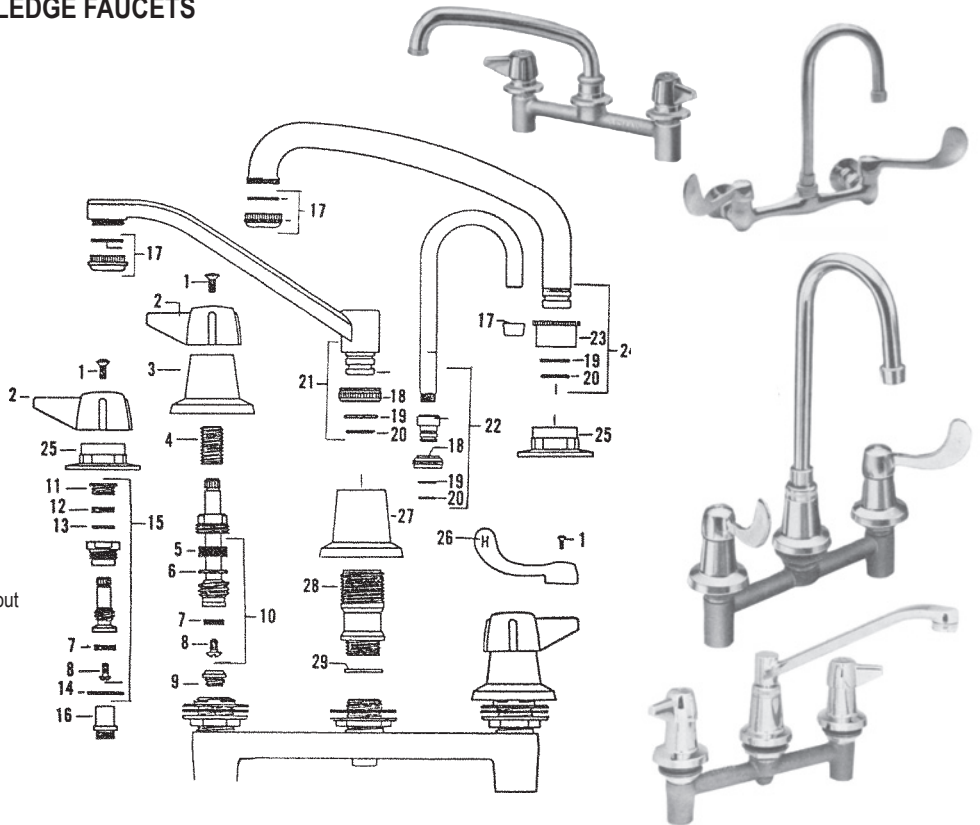
CENTRAL BRASS WALL MOUNT FAUCETS

ITEM	PART #	DESCRIPTION	ITEM	PART #	DESCRIPTION
1	40120619	Handle screw	25	02151086	Male flange assy.
2	40120036	Hot handle	26	02151081	Female flange assy.
	40120037	Cold handle			
3	40120503	Packing nut			
4	40120504	Packing			
5	40120505	Brass washer			
6	40110094	Seat washer			
7	50100011	Screw			
8	40120506	Fibre gasket			
9	40120001	Seat			
10	40130162	Stem assy. L.H.- cold (no packing nut)			
	40120020	Stem assy. L.H.- cold (w/ packing nut)			
	43131004	Stem assy. R.H. - hot (w/ packing nut)			
	40120004	Stem assy. R.H. - hot (no packing nut)			
11	40120139	Spout nut			
12	40120140	Snap ring			
13	40950025	Spout o-ring			
14	40120080	6" tubular spout w/ aerator			
	40120079	8" tubular spout w/ aerator			
	40120314	12" tubular spout w/ aerator			
	40130053	14" tubular spout w/ aerator			
15	40110130	Aerator			
16	02150504	Soap dish (not shown)			
17	40120145	Soap dish post			
18	02151234	Spout w/ pail hook			
19	40120227	Swivel gooseneck spout w/ aerator			
20	40120872	4" wrist handle - cold			
	40120873	4" wrist handle - hot			
	02151190	6" wrist handle - hot			
	02151200	6" wrist handle - cold			
21	02150920	Rubber washer			
22	02150500	Spud			
23	02151082	Adjustable flange			
24	02151080	Adjustable flange			



CENTRAL BRASS CONCEALED LEDGE FAUCETS

ITEM	PART #	DESCRIPTION
1	40120619	Handle screw
2	40120036	Hot handle
	40120037	Cold handle
3	02150939	Escutcheon
4	NLA	Nipple 1-1/8"
5	02150888	Packing
6	02150545	Brass washer
7	40110094	Washer
8	50100011	Screw
9	40120001	Seat
10	43131044	Stem - cold
	43131043	Stem - hot
11	40120503	Packing nut
12	40120504	Packing
13	40120505	Brass washer
14	40120506	Fibre gasket
15	40120020	Stem assy. - cold
	40120004	Stem assy. - hot
16	40520082	Seat
17	40110130	Aerator
18	40120139	Spout nut
19	40120140	Snap ring
20	40950025	Spout o-ring
21	40120889	8" cast brass spout
22	40120227	Swivel gooseneck spout
23	02150558	Spout nut
24	40120890	Spout w/ aerator
25	02150840	Escutcheon
26	40120872	4" wrist handle - hot
	40120873	4" wrist handle - cold
	02151190	6" wrist handle - hot
	02151200	6" wrist handle - cold
27	02150940	Escutcheon - spout
28	02151104	Centerpiece
29	02150628	Gasket



**TOTAL
MAINTENANCE
SOLUTIONS**

HOUSTON
800/392-5066

ORLANDO
800/327-3022

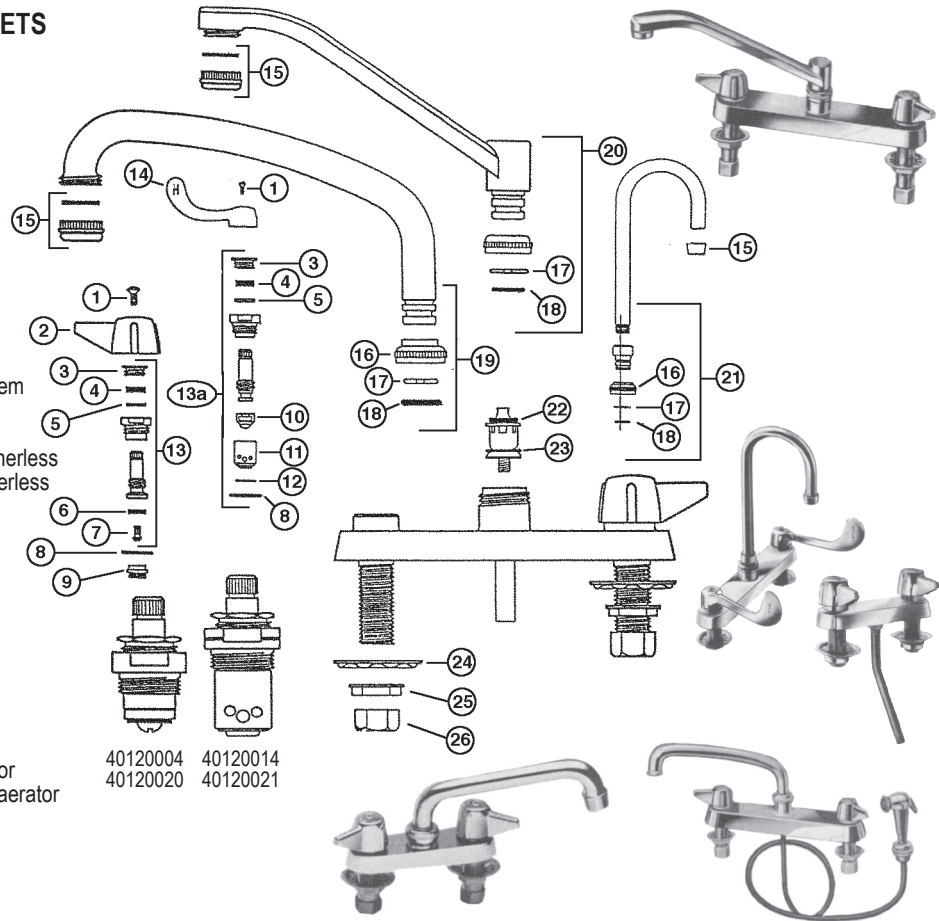
GREENVILLE
800/476-2212

LOOK FOR US ON THE WEB AT: www.TMSSouth.com

FAUCET REPAIR

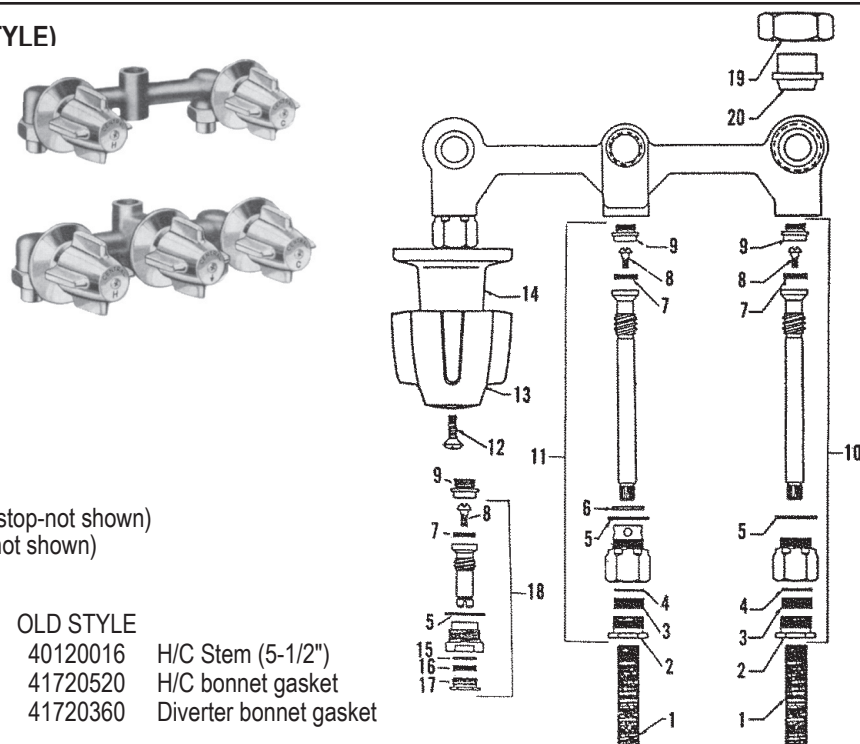
CENTRAL BRASS DECK MOUNT FAUCETS

ITEM	PART #	DESCRIPTION
1	40120619	Handle screw
2	40120036	Hot handle
	40120037	Cold handle
3	40120503	Packing nut
4	40120504	Packing *
5	40120505	Packing ring
6	40110094	Seat washer
7	50100011	Screw
8	40120506	Fibre gasket *
9	40120001	Seat
10		Disc *
11		Sleeve *
12		Sleeve gasket *
*	02150100	Repair kit for washerless stem
13	40120004	Stem assembly R.H. (hot)
	40120020	Stem assembly L.H. (cold)
13A	40120021	Stem assembly - cold, washerless
	40121014	Stem assembly - hot, washerless
14	40120872	4" wrist handle - cold
	40120873	4" wrist handle - hot
	02151190	6" wrist handle - hot
	02151200	6" wrist handle - cold
15	40110130	Aerator
16	40120139	Spout nut
17	40120140	Snap ring
18	40950025	Spout o-ring
19	40120080	6" tubular spout w/aerator
	40120079	8" tubular spout w/aerator
	40120314	12" tubular spout w/aerator
20	40120889	8" cast brass spout w/aerator
21	40120227	Swivel gooseneck spout w/aerator
22	40130603	Upper diverter
23	40130604	Lower diverter
24	40800529	Metal washer
25	51000048	Locknut
26	40800454	Coupling nut



CENTRAL BRASS TUB VALVES (NEW STYLE)

ITEM	PART #	DESCRIPTION
1	40120268	Nipple
2	02150875	Packing nut
3	40120891	Packing
4	02150104	Brass washer
5	40120506	Gasket
6	40120892	Celcon washer
7	40110094	Seat washer
8	50100011	Screw
9	42000300	Seat
10	40120015	Stem assembly (5-1/16")
11	40171021	Diverter stem assembly
12	40120619	Handle screw
13	40120034	Hot handle
	40120035	Cold handle
	40120038	Diverter handle
14	40120615	Escutcheon
	40120893	Oval escutcheon (Integral stop-not shown)
	40120894	Sleeve ext. (Integral stop-not shown)
15	40120505	Brass washer
16	40120504	Packing
17	40120503	Packing nut
18	02150541	Stem assy. (Integral stop)
19	40120519	Nut
20	40120520	Sleeve
19-20	02150130	Coupling nut & sleeve



OLD STYLE

40120016	H/C Stem (5-1/2")
41720520	H/C bonnet gasket
41720360	Diverter bonnet gasket



**TOTAL
MAINTENANCE
SOLUTIONS**

HOUSTON
800/392-5066

ORLANDO
800/327-3022

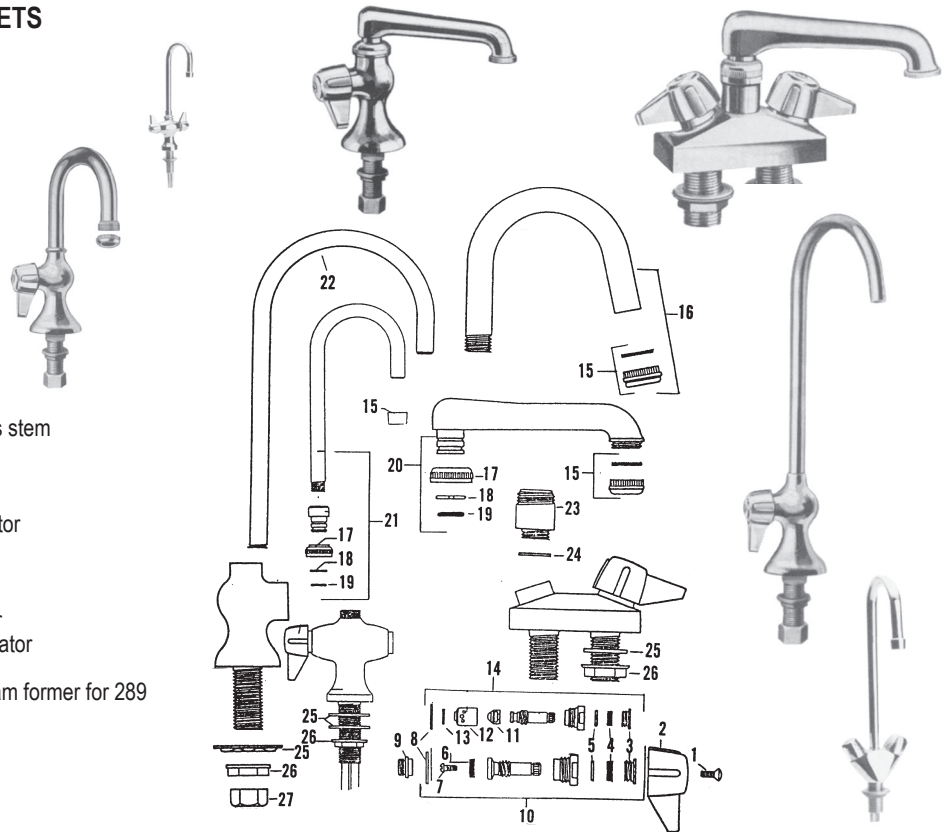
GREENVILLE
800/476-2212

LOOK FOR US ON THE WEB AT: www.TMSSouth.com

FAUCET REPAIR

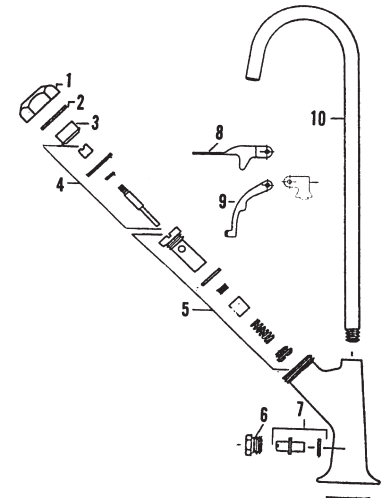
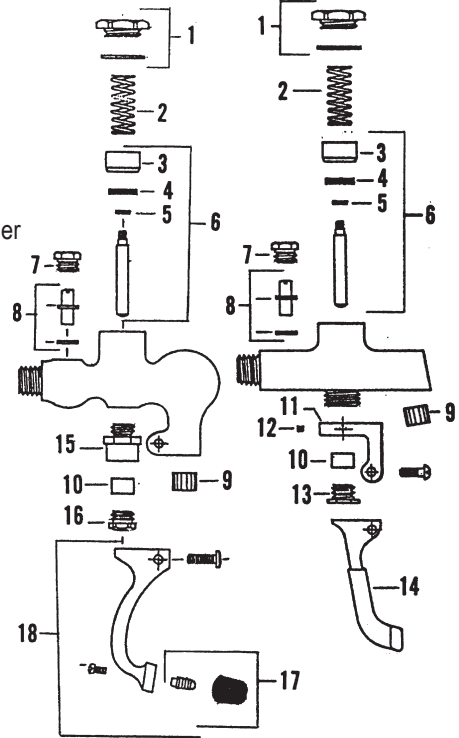
CENTRAL BRASS BAR & LAB FAUCETS

ITEM	PART #	DESCRIPTION
1	40120619	Handle screw
2	40120036	Hot handle
	40120037	Cold handle
3	40120503	Packing nut
4	40120504	Packing *
5	40120505	Brass washer
6	40110094	Washer
7	50100011	Screw
8	40120506	Gasket *
9	40120001	Seat
10	40120004	Stem assy. R.H. - hot
	40120020	Stem assy. L.H. - cold
11		Disc *
12		Sleeve *
13		Sleeve gasket *
*	02150100	Repair kit for washerless stem
14	40120021	Stem assy. - cold
	40121014	Stem assy. - hot
15	40110130	Aerator
16	02150240	Rigid gooseneck w/aerator
17	40120139	Spout nut
18	40120140	Snap ring
19	40950025	Spout o-ring
20	02151090	5" swing spout w/aerator
21	40120227	Swivel gooseneck w/aerator
22	02150262	Rigid gooseneck for 286
	40120314	Rigid gooseneck w/stream former for 289
23	02151106	Centerpiece
24	02151104	Washer
25	40800529	Metal washer
26	51000048	Locknut
27	40800454	Coupling nut



CENTRAL BRASS GLASS FILLERS

ITEM	PART #	DESCRIPTION
1	02151265	Cap nut w/washer
2	02150941	Spring
3	02150986	Seat washer holder
4	02150915	Seat washer
5	02150515	Brass stem washer
6	02150987	Stem assembly
7	02151000	Regulator cap
8	02150870	Regulator stem w/washer
9	02150132	Stream former
10	02150905	Packing
11	02151236	Yoke
12	02150011	Set screw
13	02150873	Packing nut
14	02151262	Push arm
15	02150989	Stuffing box
16	02150988	Packing nut
17	02150985	Rubber bumper unit
18	02151263	Push arm assembly



ITEM	PART #	DESCRIPTION
1	02151259	Cap nut
2	02150965	Brass washer
3	02150966	Push button cap
4	02150968	Stem assembly
5	02150967	Bonnet assembly
6	02151000	Regulator cap nut
7	02150870	Regulator stem & washer
8	02151253	Glass holder
9	02151255	Push arm
10	02150866	Gooseneck spout



**TOTAL
MAINTENANCE
SOLUTIONS**

HOUSTON
800/392-5066

ORLANDO
800/327-3022

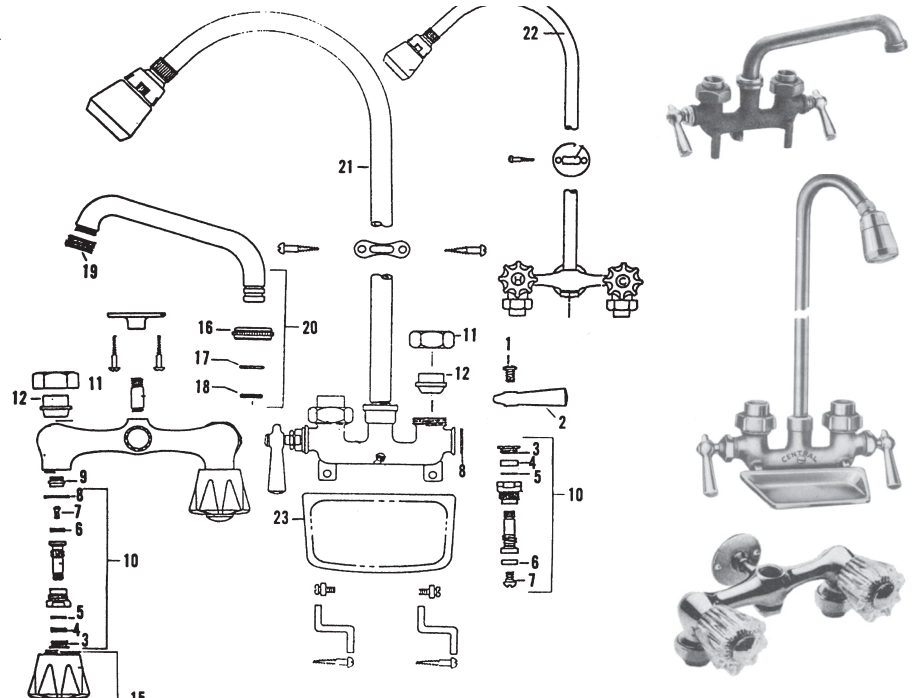
GREENVILLE
800/476-2212

LOOK FOR US ON THE WEB AT: www.TMSSouth.com

FAUCET REPAIR

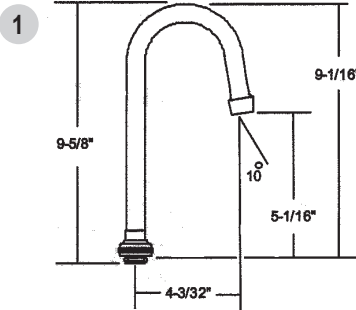
CENTRAL BRASS EXPOSED SHOWER

ITEM	PART #	DESCRIPTION
1	40120500	Handle screw
2	40120501	Hot handle
	40120502	Cold handle
3	40120503	Packing nut
4	40120504	Packing
5	40120505	Brass washer
6	40110094	Washer
7	50100011	Screw
8	40120506	Gasket
9	40120001	Seat
10	40120004	Stem assy. R.H. - hot
	40120020	Stem assy. L.H. - cold
11	40120519	Rough brass nut
12	40120520	Rough brass sleeve
13	40120521	Handle screw
14	40120522	Cold index
	40120167	Hot index
15	40120523	Hot handle assy.
	40120138	Cold handle assy.
16	40120139	Spout nut
17	40120140	Snap ring
18	40950025	Spout o-ring
19	40120141	Hose adapter
20	40120142	6" R.B. tube spout
21	40120143	Galvanized riser less head
22	40120144	C.P. brass riser less head
23	40120145	Soap dish



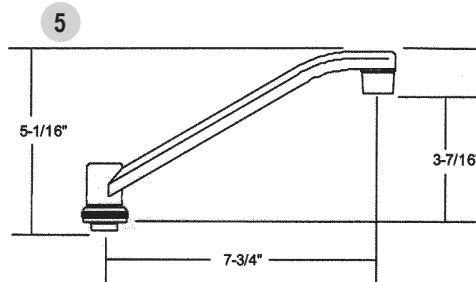
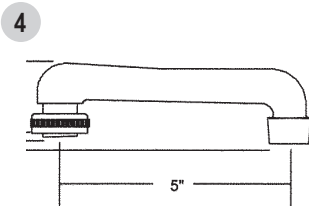
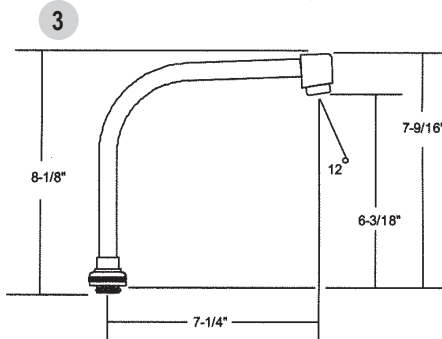
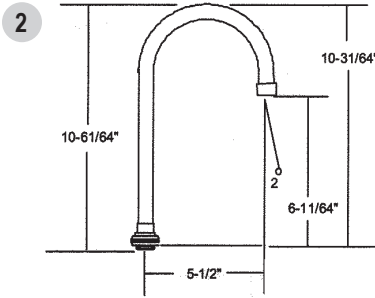
CENTRAL BRASS GOOSENECK SPOUTS

ITEM	PART #	DESCRIPTION
1	40120227	4-3/32" Swivel spout
2	40120895	6-1/2" Rigid spout
	40120896	6-1/2" Swivel spout
3	02150276	7-1/4" Swivel high rise spout



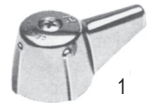
CENTRAL BRASS CAST BRASS SPOUTS

ITEM	PART #	DESCRIPTION
4	02151090	5" Cast brass swivel spout
5	40120889	7-3/4" Swivel "D" spout



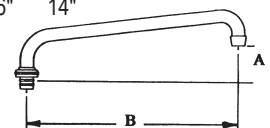
CENTRAL BRASS COMMON HANDLES

ITEM	PART #	DESCRIPTION
1	40120036	Hot
	40120037	Cold
2	02150590	2" Hot
	02150600	2" Cold
	40121088	2-5/16" Hot
	40121087	2-5/16" Cold
3	40120872	4" Hot
	40120873	4" Cold
	02151200	6" Cold
	02151190	6" Hot
4	40120878	2-1/2" Hot
	40120879	2-1/2" Cold
5	02150690	Small - Hot
	02150700	Small - Cold
6	40120034	Hot
	40120035	Cold
	40120038	Div.
7	40120523	Small - Hot
	40120138	Small - Cold
	NLA	Large - Hot
	NLA	Large - Cold
	40120897	Large - Div.



CENTRAL BRASS TUBE SPOUTS

PART #	"A"	"B"
40120080	2-5/16"	6-1/4"
40120079	2-5/16"	7-7/8"
40120314	2-3/16"	12"
40130053	2-3/16"	14"



**TOTAL
MAINTENANCE
SOLUTIONS**

HOUSTON
800/392-5066

ORLANDO
800/327-3022

GREENVILLE
800/476-2212

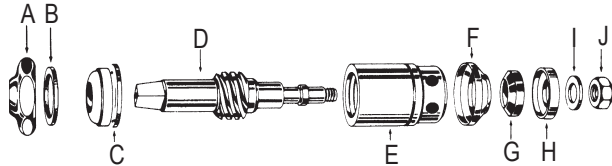
LOOK FOR US ON THE WEB AT: www.TMSSouth.com

FAUCET REPAIR

CHICAGO FAUCET STEM REPAIRS - OLD STYLE

ITEM	DESCRIPTION	QUATURN		SLOW COMPRESSION	
		EXP. CAP PART #	CON. CAP PART #	EXP. CAP PART #	CON. CAP PART #
A	Cap	40110188	03150285	40110188	03150285
B	Gasket	40120660	40120660	40120660	40120660
C	Packing assembly	40110174	40110174	40110174	40110174
D	Stem R. H.	1-111K	274-11K	1-115K	274-15K
	Stem L. H.	1-110K	274-10K	1-114K	274-12K
	Stem R. H.	2-29	2-29	317-3	317-3
E	Sleeve L. H.	2-28	2-28	317-2	317-2
F	Seat	40110172	40110172	40110172	40110172
G	Washer	40120049	40120049	40120049	40120049
H	Retainer	40110173	40110173	40110173	40110173
I	Washer	40110167	40110167	40110167	40110167
J	Nut	40120261	40120261	40120261	40120261
K	O-Ring	40950027	40950027	40950027	40950027

Repair kit for new & old style stems - Part No. 40120240
 TMS repair kit (O/S only) - Part No. 03159920



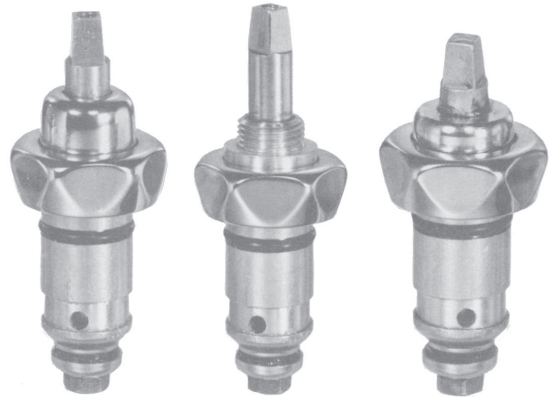
HAND CLOSING UNITS PARTS LISTS

QUATURN EXPOSED	QUATURN CONCEALED	CERAMIC EXPOSED	CERAMIC CONCEALED
40120052 L.H. UNIT	40120055 L.H. UNIT	40160037 L.H. UNIT	40160033 L.H. UNIT
40120053 R.H. UNIT	40120054 R.H. UNIT	40160036 R.H. UNIT	40160034 R.H. UNIT

PLEASE NOTE: ALL QUATURN UNITS WITH ONE RING ARE R.H. AND UNITS WITH TWO RINGS ARE L.H. COMPRESSION UNITS WITH THREE RINGS ARE R.H. AND UNITS WITH FOUR RINGS ARE L.H.

CAM-IN-CAP SELF-CLOSING UNITS

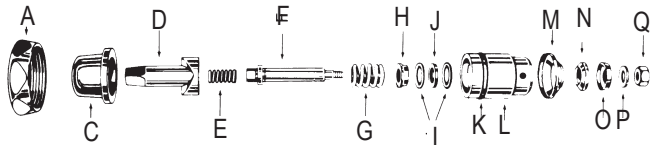
ITEM	DESCRIPTION	823-X	825-X	826-X
		PART #	PART #	PART #
	Operating unit	03150612	03150614	03150616
A	Nut	03150652	03150652	03150652
C	Bonnet	03150654	03150656	03150658
D	Stem	823-7	825-2	701-1
E	Spring	03150662	03150662	03150662
F	Plunger	03150646	03150646	03150646
G	Spring	03150674	03150674	03150674
H	Gland	03150676	03150676	03150676
I	O-Rings	40120657	40120657	40120657
J	Leather washer	40120658	40120658	40120658
K	O-Rings	40950027	40950027	40950027
L	Sleeve	03151565	03151565	03151565
M	Seat	40110172	40110172	40110172
N	Washer	40120252	40120252	40120252
O	Retainer	40110173	40110173	40110173
P	Washer	40110167	40110167	40110167
Q	Nut	40120261	40120261	40120261



823-X

825-X

826-X



**TOTAL
MAINTENANCE
SOLUTIONS**

HOUSTON
800/392-5066

ORLANDO
800/327-3022

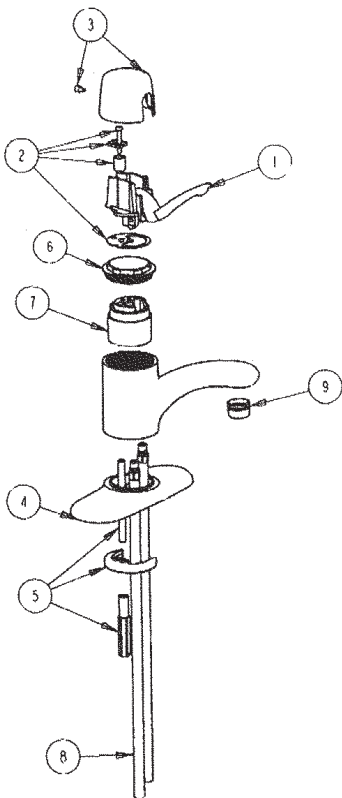
GREENVILLE
800/476-2212

LOOK FOR US ON THE WEB AT: www.TMSSouth.com

FAUCET REPAIR

CHICAGO FAUCET MODEL 2200 LAVATORY

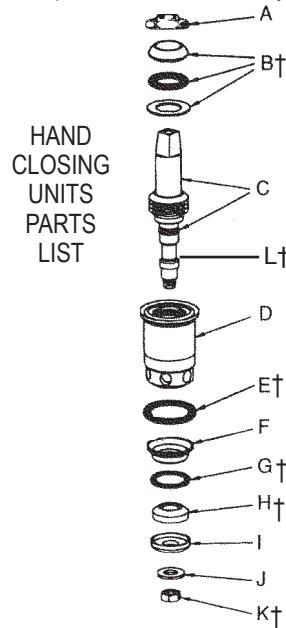
ITEM	PART #	DESCRIPTION
1	03150216	Lever handle assembly
2	03150218	Limit and volume control
3	03150222	Cap & screw assembly
4		Base plate
5		Hold down kit
6		Hold down nut
7	03150224	Cartridge
8		Supply tube assembly
9	03150115	Softflo outlet



CHICAGO FAUCET STEM REPAIRS - NEW STYLE

ITEM	DESCRIPTION	QUATURN		SLOW COMPRESSION	
		EXP. CAP PART #.	CON. CAP PART #.	EXP. CAP PART #.	CON. CAP PART #.
A	Cap	40110188	03150285	40110188	03150285
B	Packing assy.	40110174	40110174	40110174	40110174
C	Stem R. H.	1-311K	274-111K	1-315K	274-115K
	Stem L. H.	1-310K	274-110K	1-314K	274-112K
D	Sleeve R.H.	2-329	2-328	317-103	317-103
	Sleeve L.H.	2-328	2-329	317-102	317-102
E	O-Ring	40950027	40950027	40950027	40950027
F	Seat	40120899	40120899	40120899	40120899
G	O-Ring	40950041	40950041	40950041	40950041
H	Washer	40120049	40120188*	40120049	40120049
I	Retainer	40110173	40110173	40110173	40110173
J	Washer	40120049	40110167	40120049	40120049
K	Nut	40120261	40120261	40120261	40120261
L	O-Ring	40950018	40950018	40950095	40950067

Repair kit for new & old style stems (†) - Part # 40120240



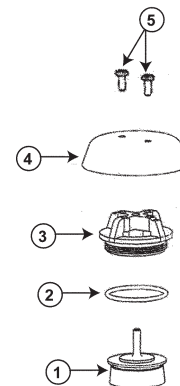
QUATURN EXPOSED	QUATURN CONCEAL	COMPR. EXPOSED	COMPR. CONCEAL
40120052 L.H. UNIT	40120055 L.H. UNIT	40120239 L.H. UNIT	03150286 L.H. UNIT
40120053 R.H. UNIT	40120054 R.H. UNIT	03150270 R.H. UNIT	03150288 R.H. UNIT

PLEASE NOTE: ALL QUATURN UNITS WITH ONE RING ARE R.H. AND UNITS WITH TWO RINGS ARE L.H. COMPRESSION UNITS WITH THREE RINGS ARE R.H. AND UNITS WITH FOUR RINGS ARE L.H.

* Use with wrist handles

CHICAGO FAUCET V/B REPAIR KIT

ITEM	PART #	DESCRIPTION
1	40110113	Vacuum Breaker Disc Assembly
2	03150690	O-ring
3		Vacuum Breaker Seat
4	03150154	Vacuum Breaker Cover
5		Vacuum Breaker Torx Screw
	40120110	Repair Kit includes items 1, 2, 3 & 5



HOUSTON
800/392-5066

ORLANDO
800/327-3022

GREENVILLE
800/476-2212

LOOK FOR US ON THE WEB AT: www.TMSSouth.com

FAUCET REPAIR

NIAD PUSH BUTTON UNITS

ITEM	DESCRIPTION	333-X PART #	625-X PART #	386-LDPX PART #	745-X PART #
	Operating unit	40120613	40120217	03151040	03151046
A	Button & stem assy.	40120654	03151416		
B	Button			03151042	03151048
C	Stem			03151044	03151052
D	Spring	40120655	40120655	40120655	40120655
E	Washer	40120656	40120656	40120656	40120656
F	O-Rings	40120657	40120657	40120657	40120657
G	Leather washer	40120658	40120658	40120658	40120658
H	Cap	40120659	40120659	40120659	40120659
I	Gasket	40120660	40120660	40120660	40120660
J	Sleeve	433-42	433-42	433-42	433-42
K	Seat	40110172	40110172	40110172	40110172
L	Washer	40120252	40120252	40120252	40120252
M	Retainer	40120661	40120661	40120661	40120661
N	Cup	40120662	40120662		40120662
O	Washer	40120663	40120663		40120663
P	Washer	40110167	40110167	40110167	40110167
Q	Nut	40120261	40120261	40120261	40120261
R	Dash Pot	40120664	40120664		40120204

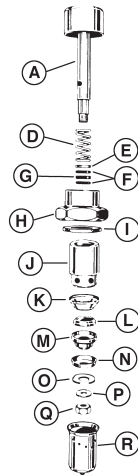
NIAD TIP-TAP UNITS

ITEM	DESCRIPTION	335-X PART #	409-X PART #
	Operating unit	40120612	40120900
A	Handle - Hot	03150462	03150462
	Handle - Cold	03150464	03150464
B	Stem	03150466	03150466
C	Spring	40120655	40120655
D	Washer	40120656	40120656
E*	O-Rings	40120657	40120657
F*	Leather washer	40120658	40120658
G	Cap	03150468	03150472
H*	Gasket	40120660	40120660
I	Sleeve	433-42	433-42
J*	Seat	40110172	40110172
K*	Washer	40120252	40120252
L	Retainer	40120661	40120661
M	Cup	40120662	40120662
N	Washer	40120663	40120663
O	Washer	40110167	40110167
P	Nut	40120261	40120261
Q*	Dash Pot	40120204	40120204
Q1	Washer	40120112	40120112
Q2	Washer	40120111	40120111
Q3	Nut	333-52	333-52
Q4	Screw	333-51	333-51

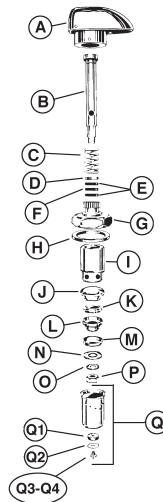
* TMS repair kits 40120627 (E, F, H, J, K, Q) for 2 stems



NIAD PUSH BUTTON UNITS



NIAD TIP-TAP UNITS

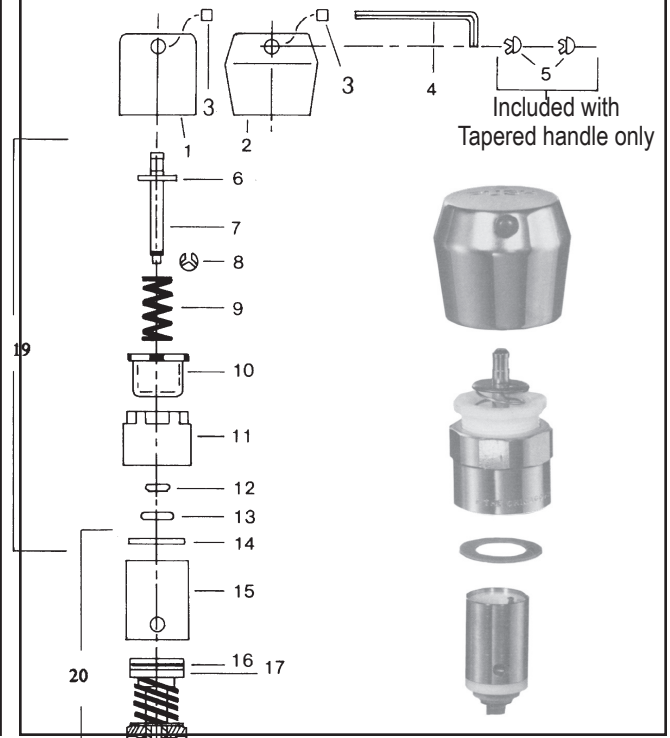


CHICAGO FAUCET STEM REPAIRS

MVP METERING VALVE

ITEM	PART #	DESCRIPTION
1	40120901	Straight handle - cold, obsolete
	40120902	Straight handle - hot, obsolete
2	40120176	Tapered handle - cold
	40120903	Tapered handle - hot
3	40120904	Hex socket screw (10-24x 3/16")
4		Hex socket wrench (3/32")
5	40120905	Index button red or blue
6	40120906	Retainer
7	40120907	Stem
8	40120908	Retainer ring 'E'
9	40120909	Return spring
10	40120910	Adjustment nut
11	40120911	Cap assembly
12	*	O-Ring
13	40120912	Retainer ring
14	40120913	Cap seal washer
15	*	Valve sleeve
16	*	O-Ring
17	*	Poppet/seat assembly
18	40120914	Filter
19	40120058	Actuator
20	40120051	Unit kit (items 14, 15, 16, 17, 18) - one each
	40120915	Misc kit (items 8, 12, 13, 14, 16, 18) - one each
21	40120916	MVP Retrofit kit (cold)
	40120917	MVP Retrofit kit (hot)

* Available in repair kits only



HOUSTON
800/392-5066

ORLANDO
800/327-3022

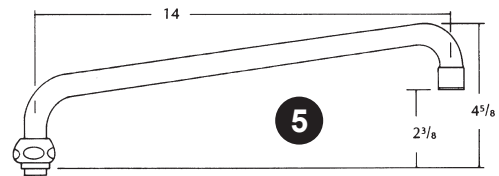
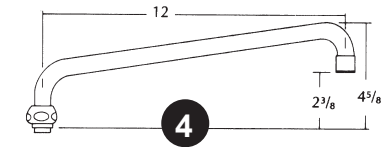
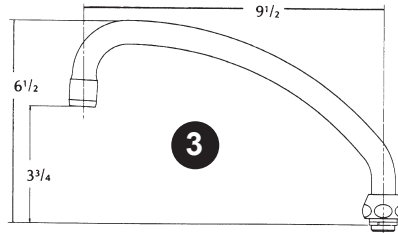
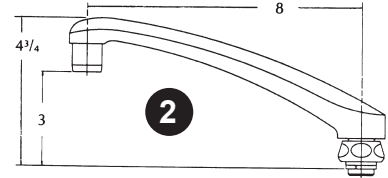
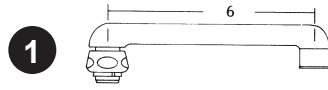
GREENVILLE
800/476-2212

LOOK FOR US ON THE WEB AT: www.TMSSouth.com

FAUCET REPAIR

SWING SPOUTS

ITEM	PART #	DESCRIPTION
1	03150760	6" Swing spout
2	40120918	8" Swing spout
3	40120087	9-1/2" Swing spout
4	40120229	12" Swing spout
5	03150764	14" Swing spout

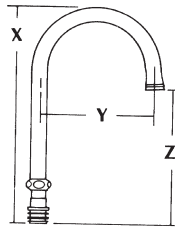


SWING SPOUT REPAIR PARTS

PART #	DESCRIPTION
03150802	Spout nut
40110185	Spout packing
40110186	Spout retainer ring
40110111	Spout aerator

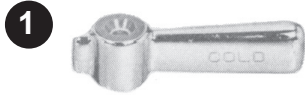
GOOSENECK SPOUTS (RIGID OR SWING)

PART #	X	Y	Z
40120614	8-1/4"	3-1/2"	5-7/8"
40120083	9-3/4"	5-3/8"	6-1/8"
40120919	11-1/4"	8"	6-1/8"
03150782	13"	5-3/8"	9-1/2"



GOOSENECK SPOUT REPAIR PARTS

PART #	DESCRIPTION
03150226	Spout nut
40950038	Spout o-ring (2 required)
40120920	Plastic washer (2 required)
40120921	1/8" thick plastic washer (used only for swing spouts)
40110111	Spout aerator



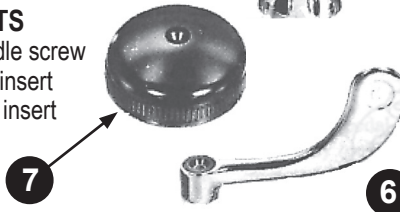
CHICAGO FAUCET COMMON HANDLES

ITEM	PART #	DESCRIPTION
1	40120062	2-1/2" lever handle - cold
	40120061	2-1/2" lever handle - hot
2	40120064	3" four arm handle - cold
	40120063	3" four arm handle - hot
3	40120060	2-7/8" single wing handle - cold
	40120059	2-7/8" single wing handle - hot
4	03150300	Loose key tee handle
5	40120922	2-1/2" 3 wing handle - cold
	40120923	2-1/2" 3 wing handle - hot
6	40120065	4" wrist handle - cold
	40120066	4" wrist handle - hot
	03150330	6" wrist handle - cold
	03150340	6" wrist handle - hot
7	03150716	2-1/4" black plastic handle



HANDLE COMPONENTS

Not	03150530	Handle screw
Shown	40110114	Red insert
	40110115	Blue insert



VACUUM BREAKERS

PART #	DESCRIPTION
40110067	1/2" Polished chrome
40110068	3/8" Polished chrome

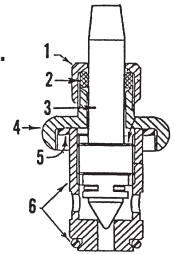


VACUUM BREAKER REPAIR PARTS

PART #	DESCRIPTION
03150690	Fibre gasket
40110113	Valve disc

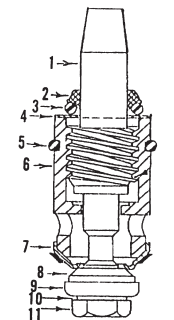
CHICAGO FAUCET 962-X STEM OPERATING UNIT FOR AIR, GAS, VAC.

ITEM	PART #	DESCRIPTION
1	03151100	Packing nut CP
2	03151104	Packing
3	03151108	Stem Assembly
4	03151112	Cap CP
5	40120266	Gasket
6	03151120	Sleeve assy.
1-6	03151090	962X stem assy.



CHICAGO FAUCET 937-X STEM OPERATING UNIT FOR STEAM

ITEM	PART #	DESCRIPTION
1	1-114-K-BNF	Stem L.H.
2	40110174	Packing
3	40950023	O-Ring
4	40211323	Washer
5	40950027	O-Ring
6	317-005	Sleeve L.H.
7	40110172	Monel seat
8	40120188	Seat washer
9	40110173	Retainer
10	40110167	Washer
11	40120261	Nut



**TOTAL
MAINTENANCE
SOLUTIONS**

HOUSTON
800/392-5066

ORLANDO
800/327-3022

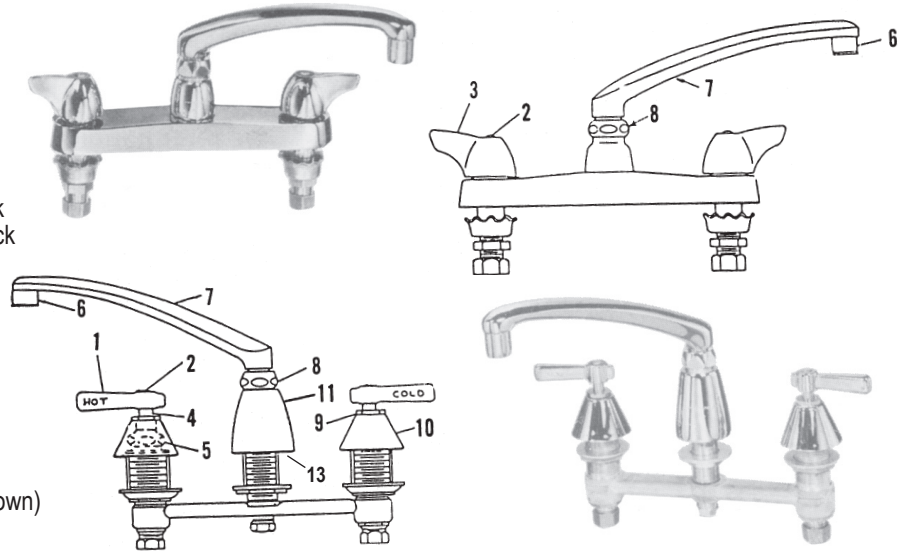
GREENVILLE
800/476-2212

LOOK FOR US ON THE WEB AT: www.TMSSouth.com

FAUCET REPAIR

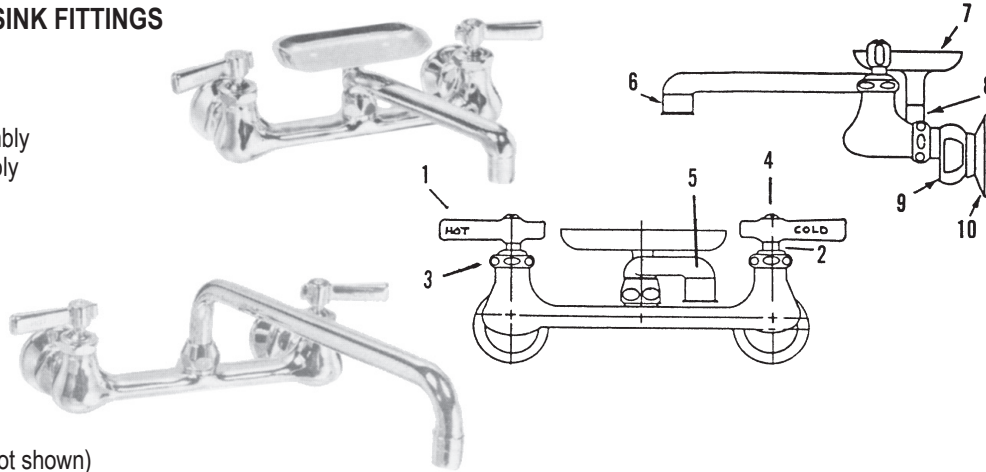
CHICAGO FAUCET SINK FITTINGS

ITEM	PART #	DESCRIPTION
1	40120061	Hot handle
	40120062	Cold handle
2	40120619	Handle screw
3	40120059	Hot handle
	40120060	Cold handle
4	40120052	Hot stem assembly - deck
	40120053	Cold stem assembly - deck
	40120054	Hot stem - cone
	40120055	Cold stem - cone
5	03150285	Cap
6	40110111	Spout aerator
7	40120918	8" swing spout
8	03150802	Spout nut
9	03150533	Escutcheon nut
10	03151004	Escutcheon
11		Spout escutcheon assy.
12	NLA	Diverter for spray (not shown)
13	03150204	Gasket



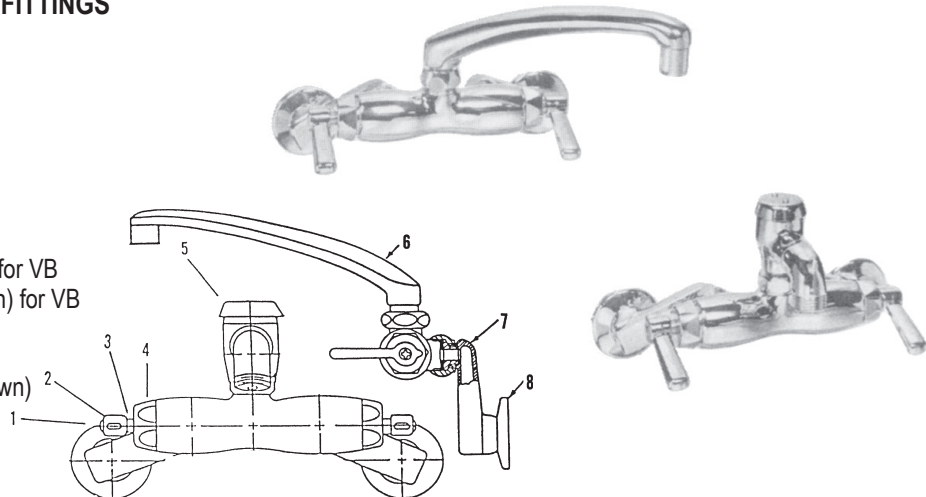
CHICAGO FAUCET 540 SERIES SINK FITTINGS

ITEM	PART #	DESCRIPTION
1	40120061	Hot handle
	40120062	Cold handle
2	40120053	Cold stem assembly
	40120052	Hot stem assembly
3	40110188	Stem nut
4	40120619	Handle screw
5	03150760	6" swing spout
	40120918	8" swing spout
	40120087	9" swing spout
	40120229	12" swing spout
6	40110111	Spout aerator
7	03151020	Soap dish
8	03151022	Soap dish post
9	03151024	Shank washer (not shown)
10	03151026	Flange



CHICAGO FAUCET 445 & 305 SERIES FITTINGS

ITEM	PART #	DESCRIPTION
1	40120619	Handle screw
2	40120061	Hot handle
	40120062	Cold handle
3	40120052	Hot stem assembly
	40120053	Cold stem assembly
4	03151018	Cap
5		Vacuum breaker
	40110113	Valve disc (not shown) for VB
	03150690	Fibre gasket (not shown) for VB
6	40120918	8" swing spout
7		Adjustable stop arm
	03150140	Shank washer (not shown)
8	03151026	Flange



**TOTAL
MAINTENANCE
SOLUTIONS**

HOUSTON
800/392-5066

ORLANDO
800/327-3022

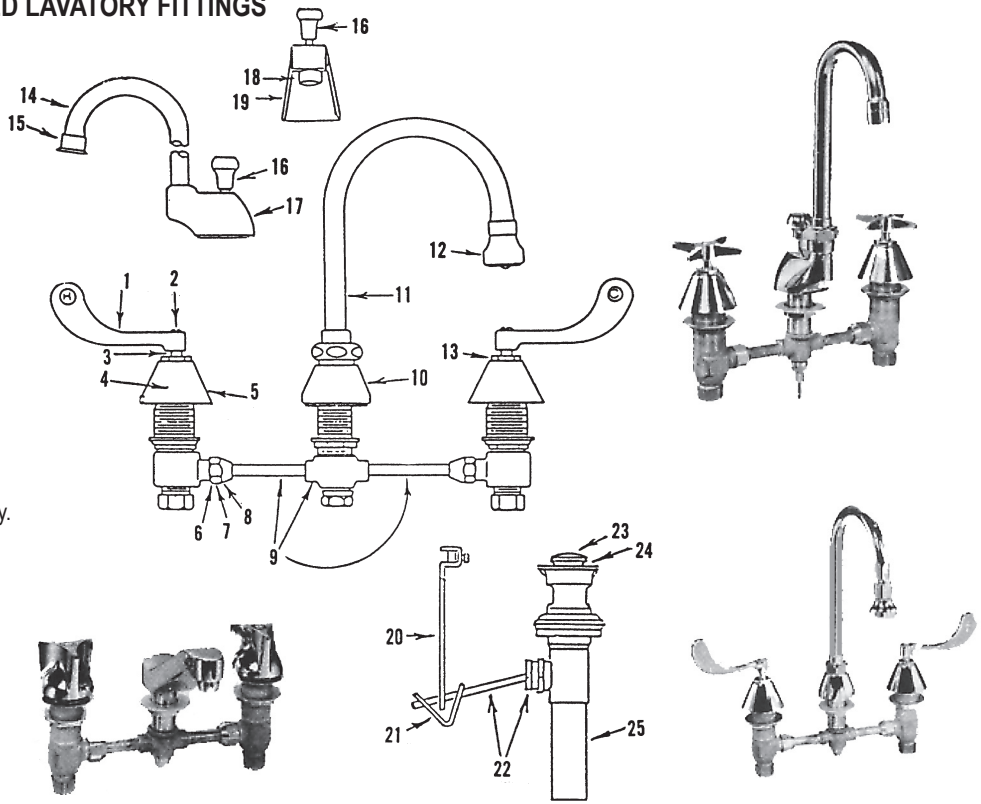
GREENVILLE
800/476-2212

LOOK FOR US ON THE WEB AT: www.TMSSouth.com

FAUCET REPAIR

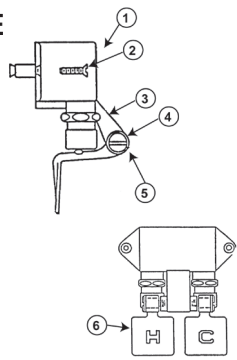
CHICAGO FAUCET DECK MOUNTED LAVATORY FITTINGS

ITEM	PART#	DESCRIPTION
1	40120065	4" wrist handle - cold
	40120066	4" wrist handle - hot
	03150330	6" wrist handle - cold
	03150340	6" wrist handle - hot
2	40130619	Handle screw
3	40120054	Hot stem assembly
	40120055	Cold stem assembly
4	03150285	Cap
5	03151004	Escutcheon
6	03151006	Coupling nut
7	03151008	Washer
8	03151010	Brass washer
9		Tee assembly
10		Spout base
11	03151002	Gooseneck spout
12	03151012	Rose spray outlet
13	03150533	Escutcheon nut
14	03151014	Spout
15	40110111	Spout aerator
16	03151016	Upper rod & knob assy.
17		Spout base
18	03150115	Spout aerator
19		Spout assembly
20	03151030	Hanger & set screw
21	03151032	Clip
22	03151034	Cross rod assembly
23	03151036	Stopper
24	03151038	Lip seal washer
25	40801066	1-1/4"x 6" tailpiece
26	03150202	Washer
27	03150142	Washer
28	03150204	Retainer (250-187)



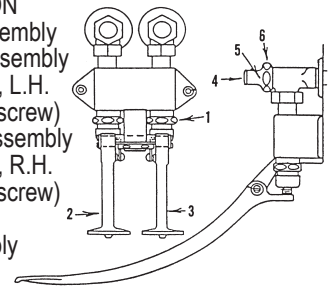
625 FLOOR MOUNTED PEDAL VALVE

ITEM	PART #	DESCRIPTION
1		Body
2		Mach. screw
		Anchor
3	40170011	Stem unit (628-X)
4	03150590	Bracket
	03150560	Bracket screw
5	03150600	Shoulder bolt
6	03150570	Short hot pedal
	03150580	Long hot pedal
	03150610	Short cold pedal
	03150620	Long cold pedal



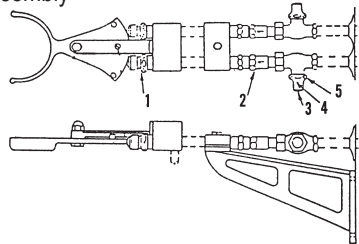
834-EP WALL MOUNTED PEDAL VALVE

ITEM	PART #	DESCRIPTION
1	40120217	Cartridge assembly
2	03151060	L.H. Pedal assembly (pedal, screw, L.H. spring & adj. screw)
3	03151062	R.H. Pedal assembly (pedal, screw, R.H. spring & adj. screw)
4	03150220	Button
5	40120239	Stem assembly
6	03151064	Cap
	03150670	Bracket assembly



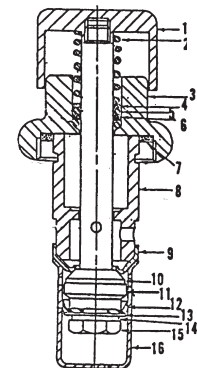
745-VO KNEE OPERATED VALVE

ITEM	PART #	DESCRIPTION
1	03151046	Cartridge assembly
2		1.6 GPM Stedi-Flo
3	03150220	Button
4	40120239	Stem assembly
5	03151064	Cap



628-X CARTRIDGE FOR 625 VALVE

ITEM	PART #	DESCRIPTION
1		Button & Stem
2	40120655	Spring
3		CP Cap
4		Washer
5	40120657	O-Ring (2)
6	40120658	Leather washer
7	40120660	Gasket
8		Sleeve
9	40110172	Monel seat
10	40110167	Washer
11	40120661	Retainer
12	40120662	Cup
13	40120663	Washer
14	40110167	Washer
15		Nut
16	40120664	Dashpot



HOUSTON
800/392-5066

ORLANDO
800/327-3022

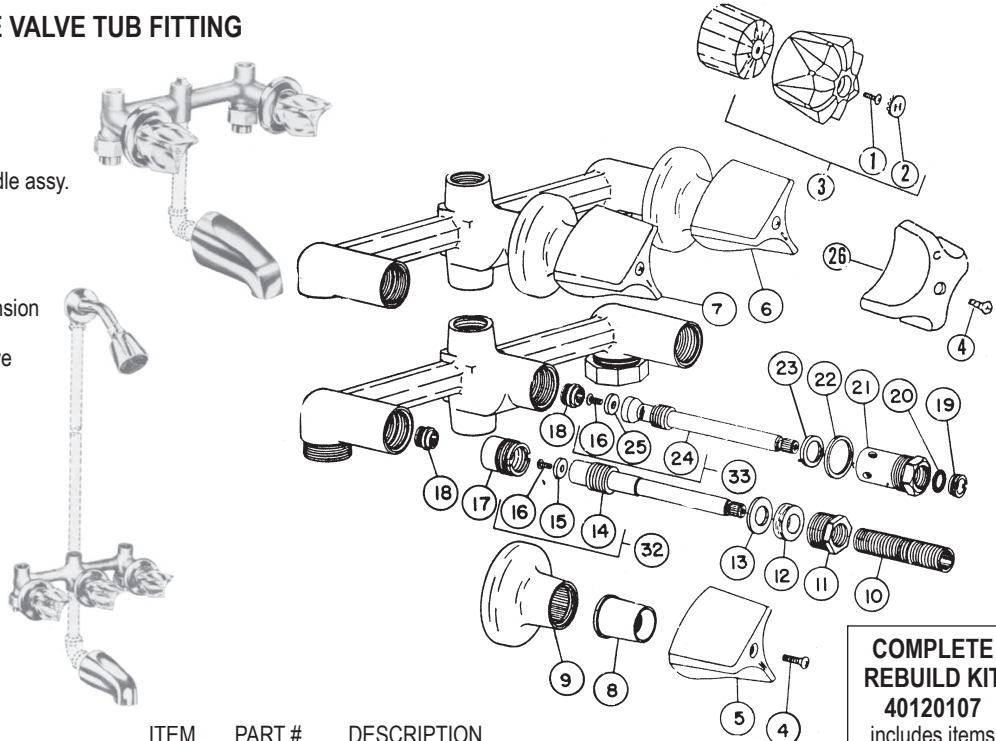
GREENVILLE
800/476-2212

LOOK FOR US ON THE WEB AT: www.TMSSouth.com

FAUCET REPAIR

CRANE RIVIERA TWO & THREE VALVE TUB FITTING

ITEM	PART #	DESCRIPTION
1	40121153	Handle screw
2	04891560	Hot index
	40120937	Cold index
	40121131	Arrow index
3	NLA	Clear acrylic handle assy.
4	50100033	Handle screw
5	40120617	Hot handle
6	40120262	Cold handle
7	40120924	Diverter handle
8	40120241	Escutcheon extension
9	40120232	Escutcheon
10	40120264	Escutcheon sleeve
11	40120199	Packing nut
12	40120197	Packing
13	40120200	Metal washer
14		Stem
15	40110094	Seat washer
16	50100010	Screw
17	40120925	Stem sleeve
18	40120256	Seat
19	40120926	Retainer
20	40950047	O-Ring
21	40120927	Sleeve
22	40121128	Gasket
23	40120263	Stem washer
24	40121217	Stem
25	40110119	Seat washer
26	40120928	Cold handle
	40120929	Hot handle
32	40171011	Stem assembly R.H.

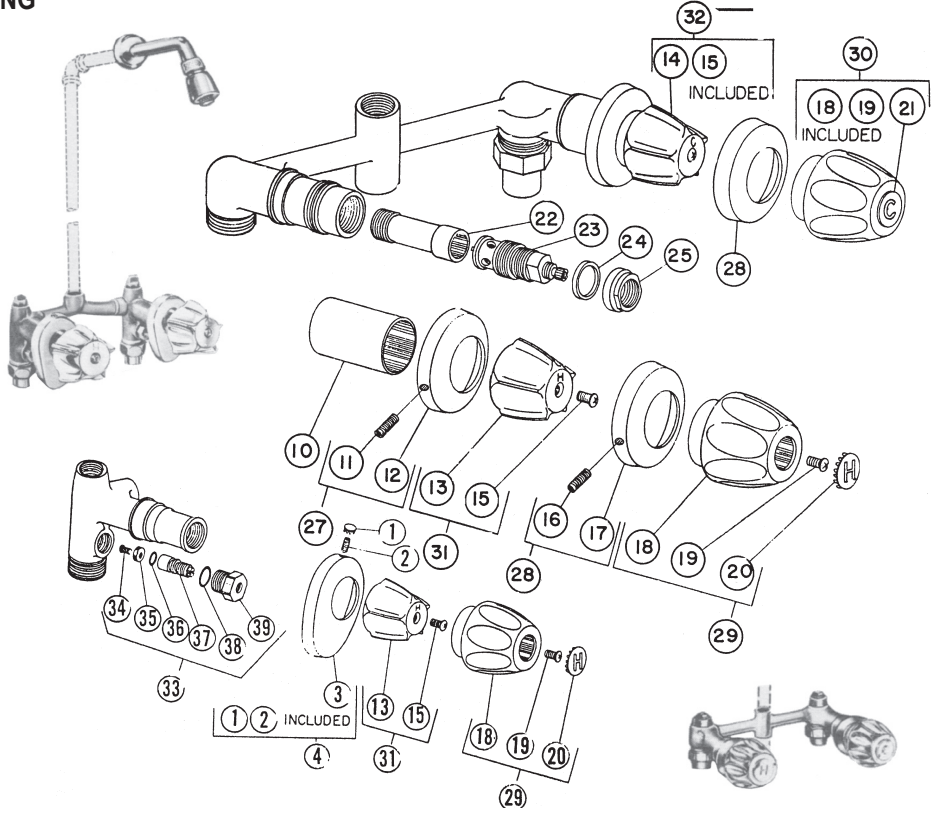


ITEM	PART #	DESCRIPTION
33	40130024	Diverter stem assembly
	04001001	Stem kit (1 ea. #12, 13, 15, 16)
	04001002	Diverter stem kit (1 ea. #16, 20, 22, 23, 25)

COMPLETE REBUILD KIT 40120107
 includes items 5, 6, 7, 8(3), 9(3), 10(3), 18(3), 32(2), 33

CRANE CAPRI BATH & SHOWER FITTING

ITEM	PART #	DESCRIPTION
1		Cap
2		Set screw
3		Escutcheon
4	40121157	Escutcheon & set screw
10	40120930	Sleeve
11		Set screw - see item 27
12		Escutcheon - see item 27
13	40120931	Hot handle
14	40120932	Cold handle
15	40121094	Handle screw
16		Set screw - see item 27
17		Escutcheon - see item 27
18		Handle - see item 29-30
19	40120947	Handle screw
20	40121117	Hot index
21	40121116	Cold index
22	40120933	Seat extension
23	40120056	Stem assembly - L.H.
24	04893984	Gasket
25	40120047	Locknut
27	40120934	Escutcheon & set screw
29	40120935	Hot handle assembly
30	40120936	Cold handle assembly
31	40120218	Hot handle assembly
32	40120621	Cold handle assembly
33	NLA	Integral stop
34	04893270	Screw
35	04893126	Disc
36	04894440	O-Ring
37	04894432	Stem
38		O-Ring
39		Bonnet

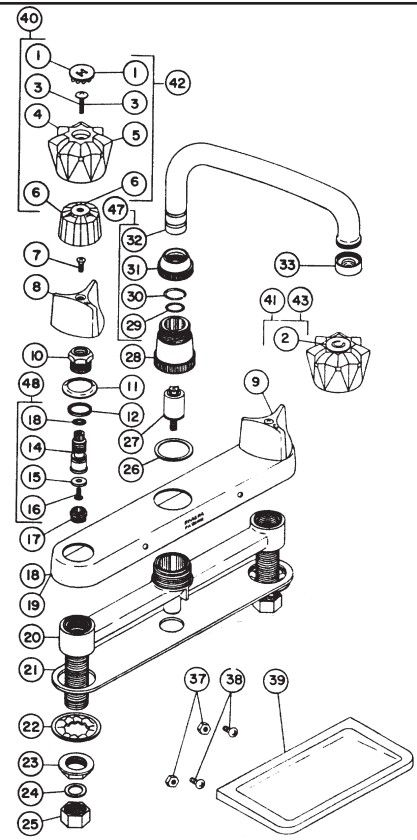


HOUSTON 800/392-5066 **ORLANDO** 800/327-3022 **GREENVILLE** 800/476-2212
 LOOK FOR US ON THE WEB AT: www.TMSSouth.com

FAUCET REPAIR

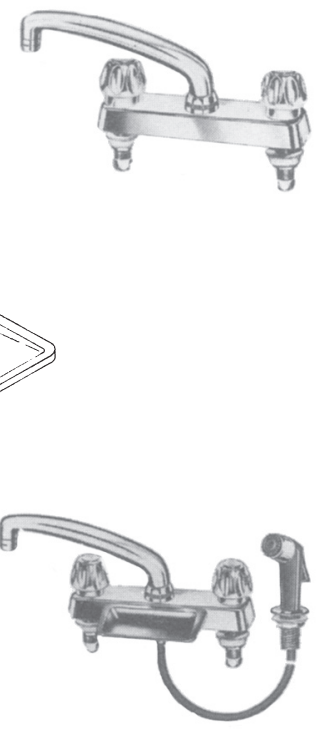
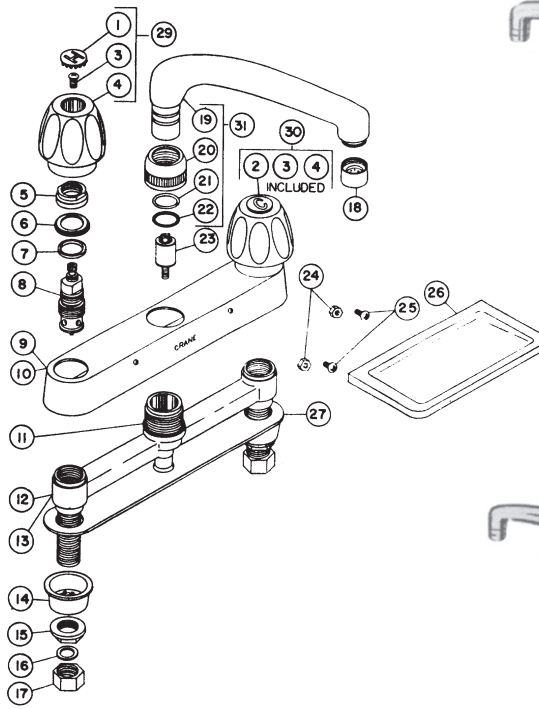
CRANE RIVIERA TOP MOUNT SINK FITTING

ITEM	PART #	DESCRIPTION	ITEM	PART #	DESCRIPTION
1	04891560	Hot index	30	40120941	Split ring
2	40120937	Cold index	31	40120942	Spout nut
3	40121153	Handle screw	32	NLA	Spout
7	50100033	Handle screw	33	40110016	Aerator
8	40120253	Hot handle	37		Nut
9	40120230	Cold handle	38		Screw
10	40120938	Bonnet	39		Soap dish
11	NLA	Washer	40	40120944	Clear acrylic handle - hot
12	40121123	Gasket	41	40120945	Clear acrylic handle - cold
13	40950022	O-Ring	42	04897644	Charcoal acrylic handle - hot
14		Stem	43	04897648	Charcoal acrylic handle - cold
15	40110119	Washer	47	40120946	Spout assembly
16	50100010	Screw	48	40171010	RH lav/kit stem
17	40120256	Seat		40171022	Stem for cold lever handles only
18		Shield			
19		Shield			
21		Putty plate			
22	40800529	Shank washer			
23	40800598	Locknut			
24	40121107	Friction ring			
25	40800454	Coupling nut			
26	40120939	Gasket			
27	40120940	Diverter			
28		Spout adapter			
29	40950025	O-Ring			



CRANE CAPRI TOP MOUNT SINK FITTING

ITEM	PART #	DESCRIPTION
1	40121117	Hot index
2	40121116	Cold index
3	40120947	Handle screw
4		Handle
5	40120047	Locknut
6	04894770	Trim washer
7	40120254	Gasket
8	40120046	Stem assembly - L.H.
9		Cover plate
10		Cover plate
11	04895988	Gasket
12		Body
13		Body
14	40800629	Shank washer
15	40800598	Locknut
16	40121107	Friction ring
17	40800454	Coupling nut
18	40400055	Aerator
19	04895984	Spout
20	NLA	Spout nut
21	04894808	Snap ring
22	40950054	O-Ring
23	40120940	Diverter unit
24		Nut
25		Screw
26		Soap dish
27		Bottom plate
29	40120935	Hot handle assembly
30	40120936	Cold handle assembly
31	40121091	Spout assembly



**TOTAL
MAINTENANCE
SOLUTIONS**

HOUSTON
800/392-5066

ORLANDO
800/327-3022

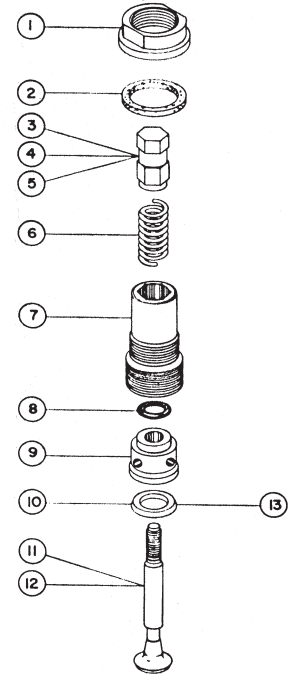
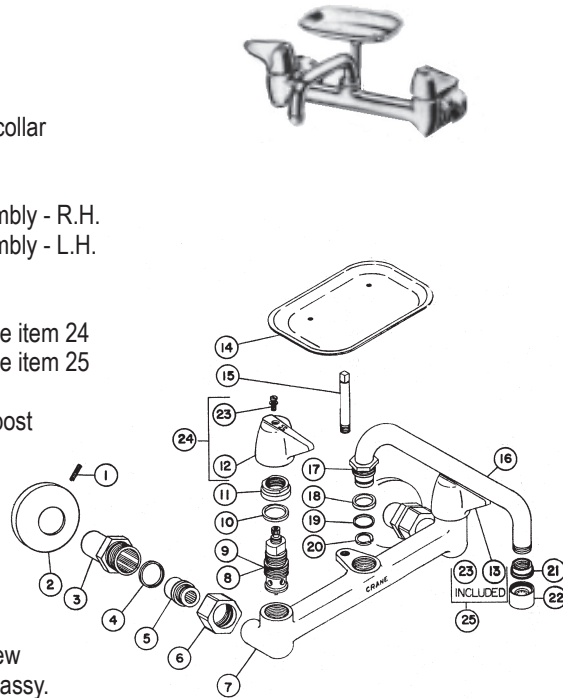
GREENVILLE
800/476-2212

LOOK FOR US ON THE WEB AT: www.TMSSouth.com

FAUCET REPAIR

CRANE CAPRI WALL MOUNT SINK FITTING

ITEM	PART #	DESCRIPTION
1		Set screw
2		Flange
3		Inlet shank
4	04894088	Gasket
5		Union ring collar
6		Collar nut
7		Body
8	40120056	Stem assembly - R.H.
9	40120046	Stem assembly - L.H.
10	40120254	Gasket
11	40120948	Locknut
12		Handle - see item 24
13		Handle - see item 25
14		Soap dish
15		Soap dish post
16	NLA	Spout
17	NLA	Spout nut
18	40121136	Packing
19	40121137	Washer
20	40121146	Snap ring
21	40121145	Adapter
22	40110130	Aerator
23	40121093	Handle screw
24	40120949	Hot handle assy.
25	40120950	Cold handle assy.

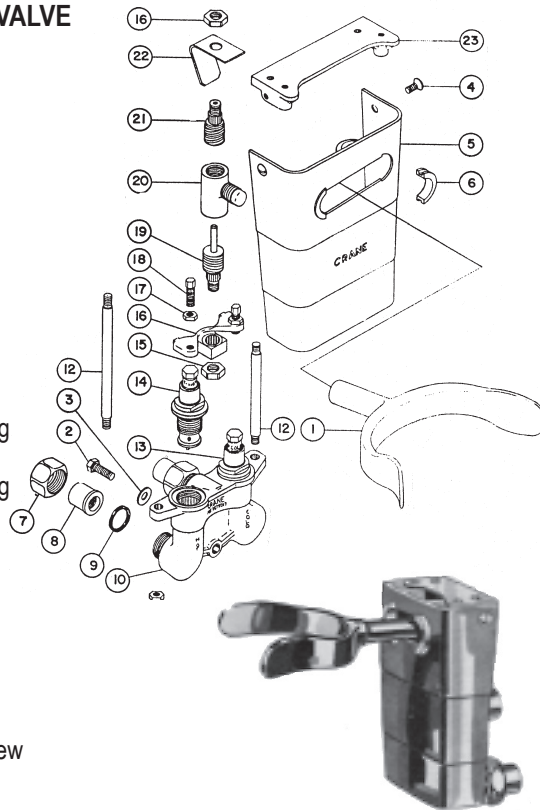


CRANE SELF-CLOSING STEM UNITS FOR PEDAL & KNEE VALVES

ITEM	PART #	DESCRIPTION
1	40120047	Locknut
2	04893984	Gasket
3	04894270	Stem nut - plain (pedal valve)
4	04894358	Stem nut - hot (knee valve)
5	04894360	Stem nut - cold (knee valve)
6	04894276	Spring
7	40120951	Centerpiece
8	40950048	O-Ring
9	04894274	Sleeve
10	40121142	Seat ring (pedal valve)
11	40121143	Stem (HW-knee valve, H&C pedal)
12	40121144	Stem - cold (knee valve)
13	40120952	Seat ring (knee valve)

CRANE KNEE ACTION MIXING VALVE

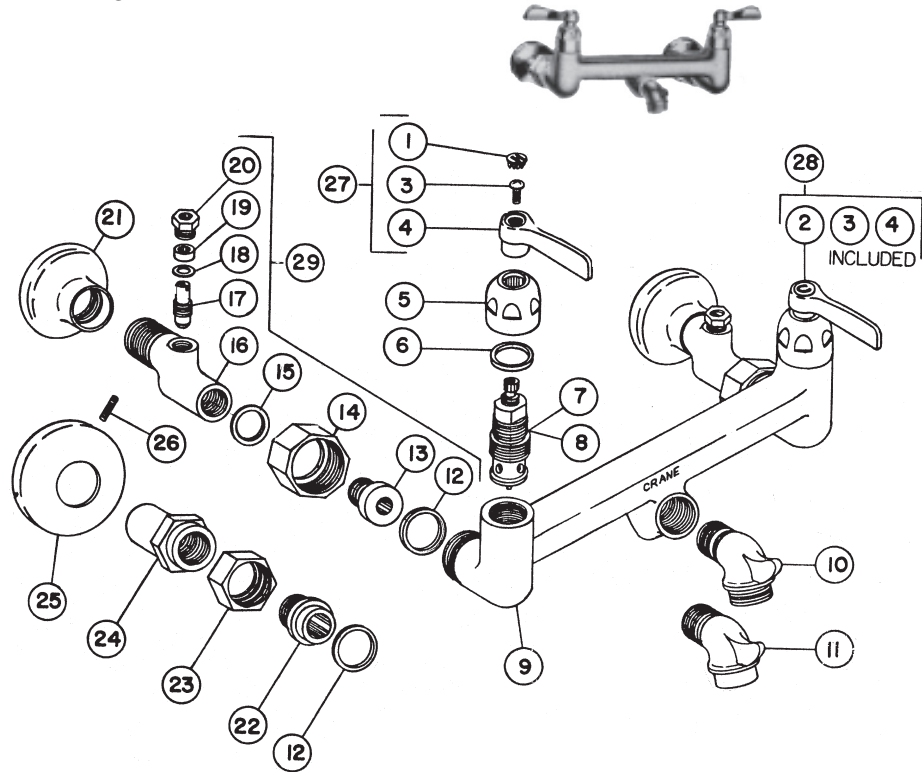
ITEM	PART #	DESCRIPTION
1	04894038	Stirrup handle
2	NLA	Screw
3	04895958	Washer
4	04893130	Screw
5	04894340	Cover
6	04893358	Bumper
7	04896028	Union ring
8		Tailpiece
9	40121108	Gasket
10		Body
11	04893078	Nut
12	04894354	Mounting Rod
13	40121135	C.W. self-closing trim
14	40121134	H.W. self-closing trim
15	04893602	Locknut
16	04894342	Yoke
17	04893080	Locknut
18	04893590	Cap screw
19	04897038	Lower sleeve screw assy.
20	04893584	Handle sleeve
21	04894352	R.H. sleeve screw
22	04894356	Friction spring
23	04894346	Mounting plate



FAUCET REPAIR

CRANE CAPRI EXPOSED UTILITY SINK FITTING

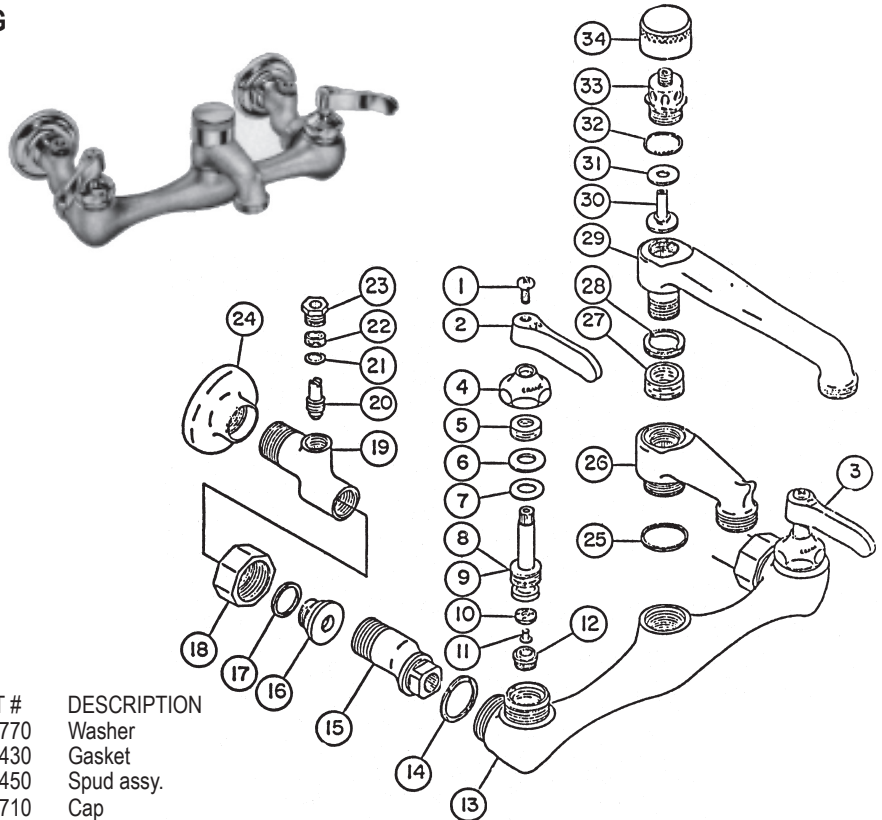
ITEM	PART #	DESCRIPTION
1	40121111	Hot index
2	40121112	Cold index
3	50100009	Handle screw
4	40120953	Handle
5	40120954	Dome locknut
6	40120254	Gasket
7	40120056	Stem assembly - R.H.
8	40120046	Stem assembly - L.H.
9		Body
10		Spout
11		Spout
12	04891120	Gasket
13		Seat
14		Union ring
15	04891780	Gasket
16		Eccentric body
17		Stem
18		Washer
19		Packing
20		Nut
21		Flange
22		Union ring collar
23		Union ring
24	NLA	Eccentric inlet shank
25		Flange
26		Set screw
27	04892294	Handle Assy. - hot
28	04892295	Handle Assy. - cold
29		Integral stop



CRANE C-5050 BACK MOUNT SINK FITTING

ITEM	PART #	DESCRIPTION
1	40121093	Handle screw
2	40121122	Hot handle
3	40121121	Cold handle
4	04895298	Cap
5	40121149	Packing
6	40121150	Washer
7	NLA	Washer
8	40121268	Stem Assy. - R.H.
9	40121110	Stem Assy. - L.H.
10	40110119	Seat washer
11	50100010	Screw
12	40120256	Seat
13		Body
14	04891120	Gasket
15		Eccentric shank
16		Seat
17	04891780	Gasket
18		Union ring
19		Eccentric body
20		Stem
21		Washer
22		Packing
23		Packing nut
24		Flange
25		Gasket
26		Spout
27		Packing
28		Nut
29		Spout
30	04891820	Sleeve

ITEM	PART #	DESCRIPTION
31	04891770	Washer
32	41720430	Gasket
33	04892450	Spud Assy.
34	04891710	Cap



**TOTAL
MAINTENANCE
SOLUTIONS**

HOUSTON
800/392-5066

ORLANDO
800/327-3022

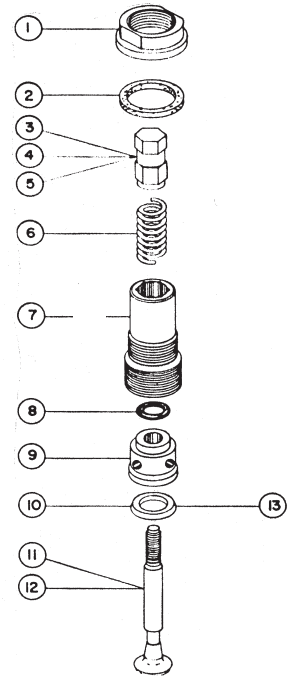
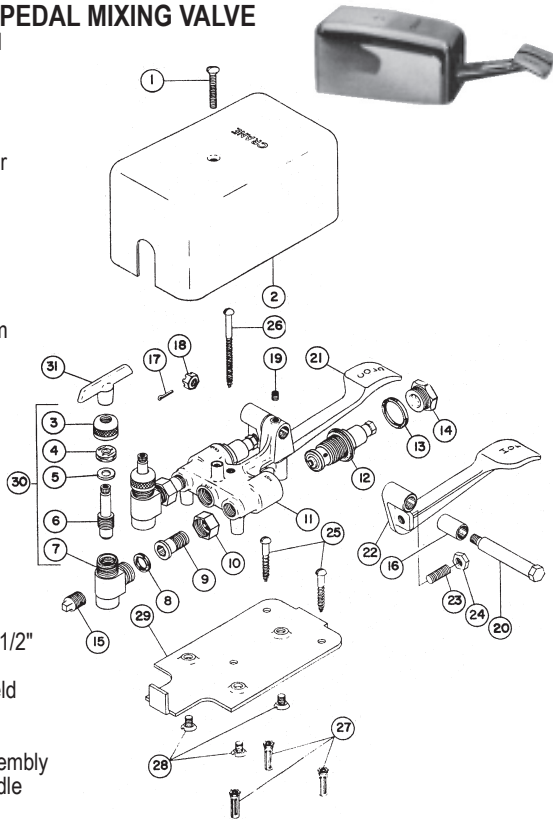
GREENVILLE
800/476-2212

LOOK FOR US ON THE WEB AT: www.TMSSouth.com

FAUCET REPAIR

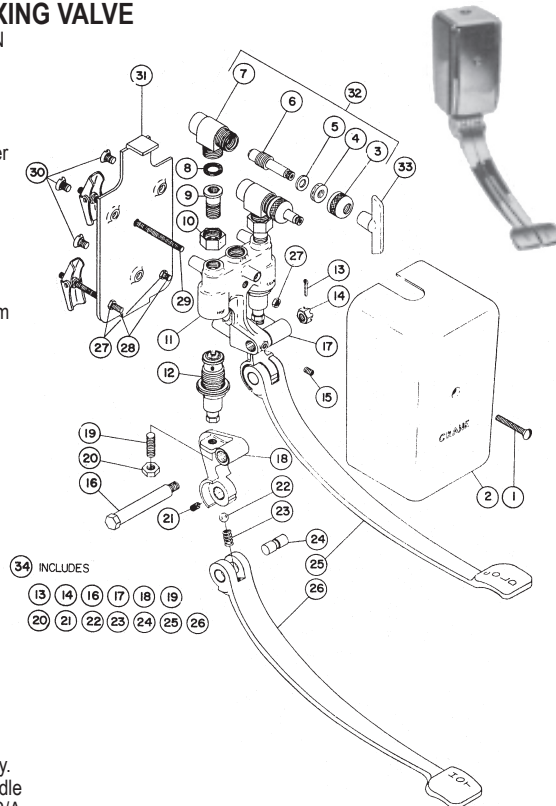
CRANE SINGLE OR DOUBLE PEDAL MIXING VALVE

ITEM	PART#	DESCRIPTION
1	04893114	Screw
2	04894286	Cover
3	04894078	Packing nut
4	04893214	Packing
5	04893362	Packing washer
6	04895718	Stem
7		Body
8	04894290	Gasket
9		Tailpiece
10	04891680	Union ring
11		Body
12	40120610	Self-closing trim
13	04893844	Gasket
14		Plug
15		Plug
16	04894304	Pedal spacer
17		Cotter pin
18	04894316	Slotted nut
19	04893088	Set screw
20	04894244	Pedal pin
21	04894280	Cold pedal
22	04894278	Hot pedal
23	04893110	Set screw
24	04893082	Locknut
25		Wood screw 1-1/2"
26		Wood screw 3"
27		Expansion shield
28		Screw
29		Base plate
30	04897488	Stop valve assembly
31	04895732	Loose key handle



CRANE DOUBLE PEDAL MIXING VALVE

ITEM	PART #	DESCRIPTION
1	04893114	Screw
2	04894286	Cover
3	04894078	Packing nut
4	04893214	Packing
5	04893362	Packing washer
6	04895718	Stem
7		Body
8	04894290	Gasket
9		Tailpiece
10	04891680	Union ring
11		Body
12	40120610	Self-closing trim
13		Cotter pin
14	04894316	Slotted nut
15	04893088	Set screw
16	04894244	Pedal pin
17	04894312	Right yoke
18	04894310	Left yoke
19	04893110	Set screw
20	04893082	Locknut
21	04893112	Set screw
22	04894318	11/32" ball
23	04893528	Pedal spring
24	04894319	Hinge pin
25	04894308	Cold pedal
26	04894306	Hot pedal
27		Nut
28		Toggle bolt 3"
29		Toggle bolt 5"
30		Screw
31		Base plate
32	04897488	Stop valve assy.
33	04895732	Loose key handle
34	NLA	Double pedal S/A



CRANE SELF-CLOSING STEM UNITS FOR PEDAL & KNEE VALVES

ITEM	PART #	DESCRIPTION
1	40120047	Locknut
2	04893984	Gasket
3	04894270	Stem nut - plain (pedal valve)
4	04894358	Stem nut - hot (knee valve)
5	04894360	Stem nut - cold (knee valve)
6	04894276	Spring
7	40120951	Centerpiece
8	40950048	O-Ring
9	04894274	Sleeve
10	40121142	Seat ring (pedal valve)
11	40121143	Stem (HW-knee valve, H&C pedal)
12	40121144	Stem - cold (knee valve)
13	40120952	Seat ring (knee valve)



**TOTAL
MAINTENANCE
SOLUTIONS**

HOUSTON
800/392-5066

ORLANDO
800/327-3022

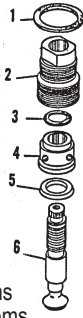
GREENVILLE
800/476-2212

LOOK FOR US ON THE WEB AT: www.TMSSouth.com

FAUCET REPAIR

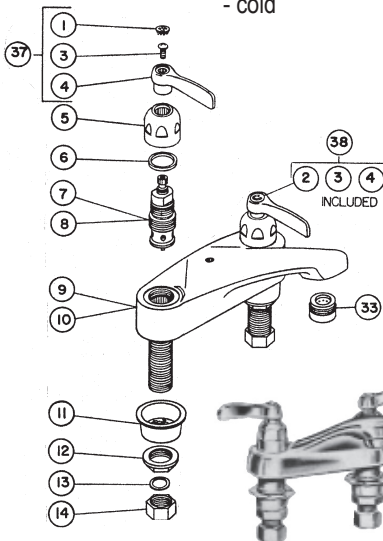
CRANE DIAL-ESE STEM REPAIRS

ITEM	PART #	DESCRIPTION
1	40120254	Gasket *
2	40121138	R.H. Centerpiece
	40120955	L.H. Centerpiece
3	40950048	O-Ring *
4	40120956	Sleeve
5	40120048	Seat washer *
	04891220	Seat washer (use w/ wrist handle)
6	43191007	L.H. stem - brass
	43191008	R.H. stem - brass
	40121097	L.H. stem - monel
	40121098	R.H. stem - monel
*	40160620	Repair kit - all items marked* - for 2 stems
2-6	40120046	L.H. stem assembly
	40120056	R.H. stem assembly
	40121095	L.H. stem assy. - monel tip
	40121096	R.H. stem assy. - monel tip



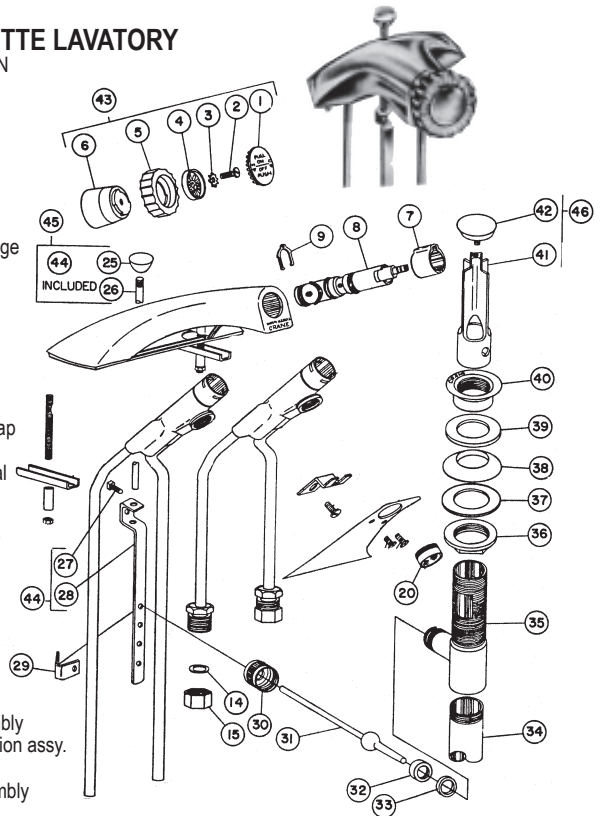
CRANE HOSPITAL LAVATORY FITTING

ITEM	PART #	DESCRIPTION
1	40121111	Hot index button
2	40121112	Cold index button
3	40120947	Handle screw
4	40120953	Handle
5	40120954	Dome locknut
6	40120254	Gasket
7	40120056	R.H. Dial-ese trim
8	40120046	L.H. Dial-ese trim
11	40800629	Shank washer
12	40800598	Locknut
13	40121107	Friction ring
14	40800454	Coupling nut
33	40110144	Aerator
37	04892294	Handle assembly - hot
38	04892295	Handle assembly - cold



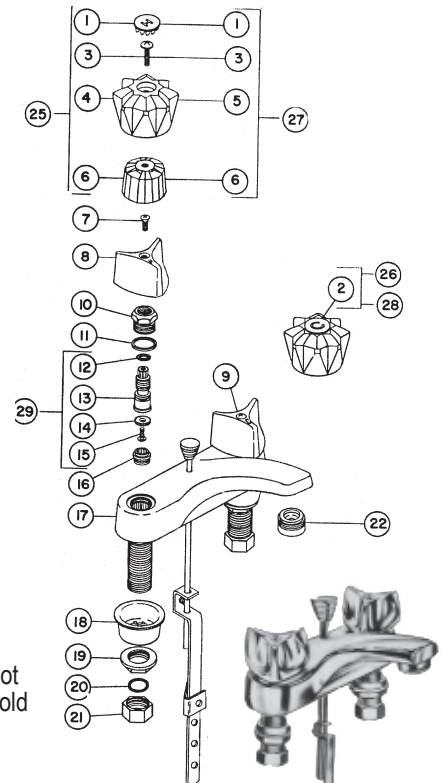
CRANE CRITERION DIALETTE LAVATORY

ITEM	PART #	DESCRIPTION
1	NLA	Handle button
2	NLA	Handle screw
3		Lock washer
4		Washer
5	40121129	Plastic ring
6		Handle skirt
7	40121092	Stop tube
8	40140019	Stem & cartridge
9	40140137	Stop clip
14	40121107	Friction ring
15	40800454	Coupling nut
20	40110144	Aerator
25	04892180	Lift knob
26	04895844	Lift rod
29	40121063	Clip
30	04896158	Ball retainer cap
31	40120178	Rod & ball
32	40121064	Rod & ball seal
33	04892150	Packing ring
34	40801066	Tailpiece
35		Waste body
36	04896310	Locknut
37	04896140	Washer
38	04893466	Spud gasket
39	04894498	Collar gasket
40		Collar
41	04891970	Stopper guide
42	04895762	Stopper
43	40121104	Handle assembly
44	04897366	Lift rod extension assy.
45	04897368	Lift rod
46	40121067	Stopper assembly



CRANE RIVIERA LAVATORY FITTING

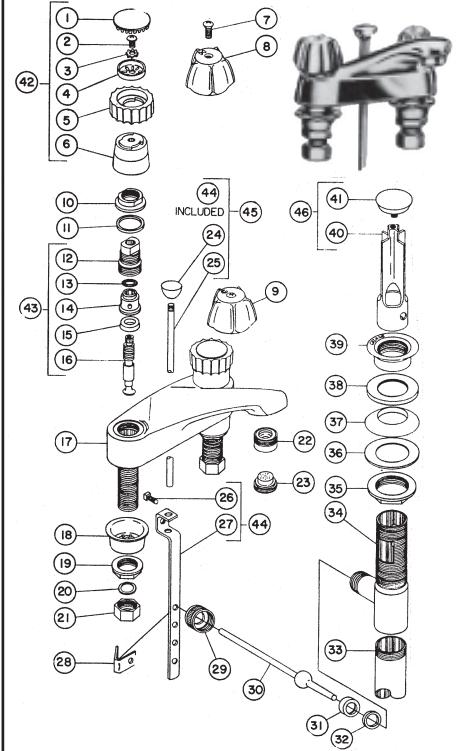
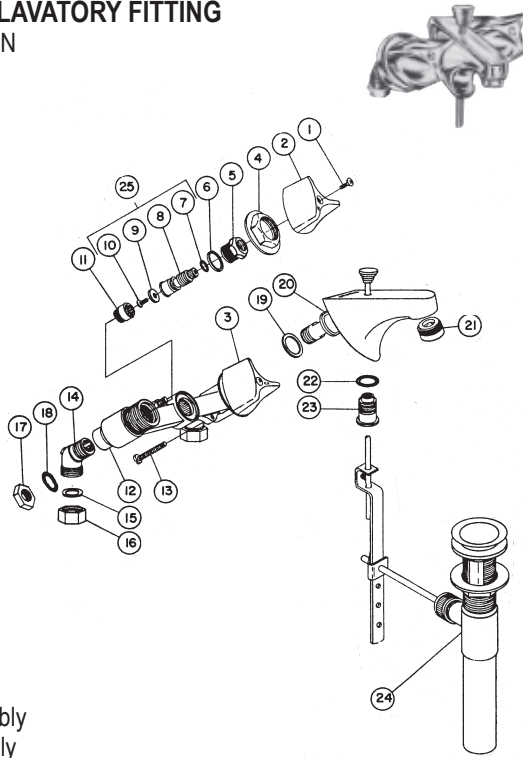
ITEM	PART #	DESCRIPTION
1	04891560	Hot index
2	40120937	Cold index
3	40121153	Screw
4		Clear handle
6		Handle insert
7		Handle screw
8	40120253	Hot handle
9	40120230	Cold handle
10	40120938	Bonnet
11	40121123	Gasket
12	40950022	O-Ring
13		Hot stem
14	40110119	Seat washer
15	50100010	Screw
16	40120256	Seat
17		Body
18	40800629	Shank washer
19	40800598	Locknut
20	40121107	Friction ring
21	40800454	Coupling nut
22	40110144	Aerator
25	40120944	Clear handle assy. - hot
26	40120945	Clear handle assy. - cold
27	04897644	Charcoal handle assy. - hot
28	04897648	Charcoal handle assy. - cold
29	40171010	Stem & bonnet assembly



FAUCET REPAIR

CRANE RIVIERA 45 DEGREE LAVATORY FITTING

ITEM	PART #	DESCRIPTION
1	50100033	Screw
2	40120253	Hot handle
3	40120230	Cold handle
4	04895360	Flange
5		Bonnet
6	40121123	Gasket
7	40950022	O-Ring
8		Stem
9	40110119	Washer
10	50100010	Screw
11	40121058	Seat
12		Body
13		Screw
15	40121107	Friction ring
16	40800454	Coupling nut
17		Locknut
18		O-Ring
19	40121108	Gasket
20		Spout
21	40110144	Aerator
22	40950027	O-Ring
23		Rod bushing
24	04897522	Waste assembly
25	40171010	Stem assembly

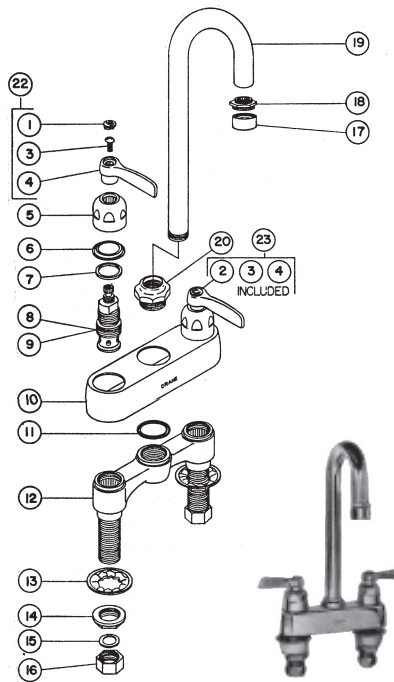


CRANE CAPRI LAVATORY FITTING

ITEM	PART #	DESCRIPTION
1	40121151	Handle button
5	40121129	Plastic handle ring
7	04895878	Handle screw
8	40121060	Hot handle
9	40121061	Cold handle
10	04891160	Locknut
11	40120948	Gasket
12		Centerpiece
13	40950048	O-Ring
14		Sleeve
15	40120048	Seat ring
16	40121062	Stem
17		Body
18	40800629	Shank washer
19	40800529	Locknut
20	40121107	Friction ring
21	40800454	Coupling nut
22	40110144	Aerator
24	04892180	Lift knob
25	04895844	Lift rod
28	40121063	Clip
29	04896158	Ball retainer cap
30	40120178	Rod & ball
31	40121064	Rod & ball seal
32	04892150	Packing ring
33	40801066	Tailpiece
34		Waste body
35	04896310	Locknut
36	04896140	Washer
37	04893466	Spud gasket
38	04894498	Collar gasket
39	40121065	Collar
40	04891970	Stopper guide
41	04895762	Stopper
42	40121066	Handle assembly
43	40120046	Stem & bonnet
44	04897366	Lift rod extension assy.
45	04897368	Lift rod assembly
46	40121067	Stopper assembly

CRANE HOSPITAL CENTERSET FITTING W/ GOOSENECK

ITEM	PART #	DESCRIPTION
1	40121111	Hot index
2	40121112	Cold index
3	40120947	Handle screw
4	40120953	Lever handle
5	40120954	Dome locknut
6	04894770	Locknut washer
7	40120254	Gasket
8	40120056	Stem & bonnet R.H.
9	40120046	Stem & bonnet L.H.
10		Cover
11	04894848	O-Ring
12		Body
13	40800529	Shank washer
14	40800598	Locknut
15	40121107	Friction ring
16	40800454	Coupling nut
17	40110130	Aerator
18	40121075	Aerator adapter
19	40121105	Spout
20	04895964	Spout adapter
22	40121132	Handle assembly - hot
23	40121133	Handle assembly - cold



**TOTAL
MAINTENANCE
SOLUTIONS**

HOUSTON
800/392-5066

ORLANDO
800/327-3022

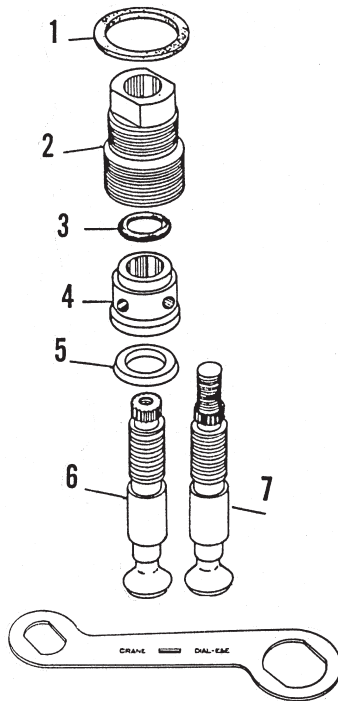
GREENVILLE
800/476-2212

LOOK FOR US ON THE WEB AT: www.TMSSouth.com

FAUCET REPAIR

CRANE DIAL-ESE STEM REPAIRS

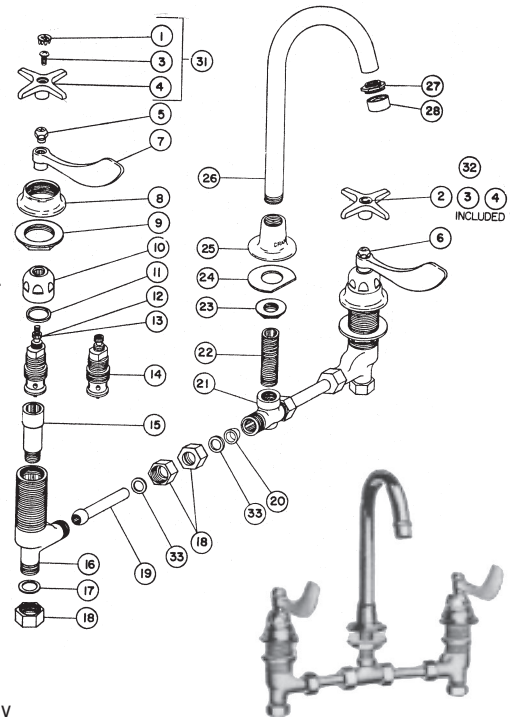
ITEM	PART #	DESCRIPTION
1	40120254	Gasket *
2	40121138	R.H. Centerpiece
	40120955	L.H. Centerpiece
3	40950048	O-Ring *
4	40120956	Sleeve
5	40120048	Seat washer *
	04891220	Seat washer (use w/wrist handle)
6	43191007	L.H. stem - brass
	43191008	R.H. stem - brass
	40121097	L.H. stem - monel
	40121098	R.H. stem - monel
7	40121099	L.H. stem - brass
	40121100	R.H. stem - brass
2-6	40120046	L.H. stem assembly
	40120056	R.H. stem assembly
	40121095	L.H. stem assy. - monel tip
	40121096	R.H. stem assy. - monel tip
2-5,7	40171032	R.H. stem assembly
	40171033	L.H. stem assembly
*	40120620	Repair kit - all items marked * - for 2 stems



DIAL-ESE WRENCH
For removing centerpiece
PART # 64001740

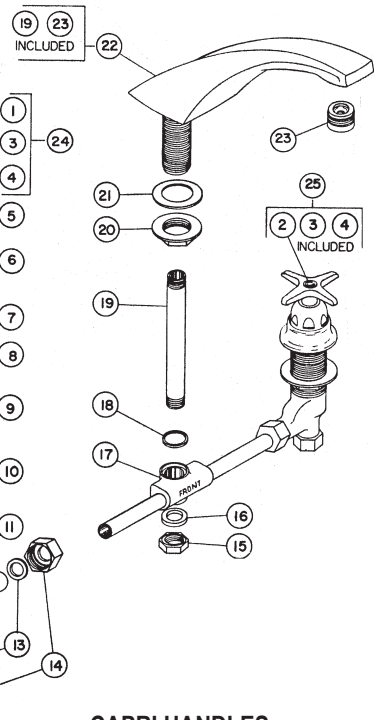
CRANE HOSPITAL WIDE SPREAD FITTING W/GOOSENECK

ITEM	PART #	DESCRIPTION
1	40121111	Hot index button
2	40121112	Cold index button
3	40120947	Handle screw
4	40121068	Handle
5	40121069	Hot index cap nut
6	40121114	Cold index cap nut
7	40120610	Blade lever handle
8	40121070	Flange
9	40121152	Locknut
10	40120954	Dome locknut
11	04891170	Gasket
12	40171032	Stem & bonnet R.H.
13	40171033	Stem & bonnet L.H.
14	40120046	Stem & bonnet L.H. (cross handle)
15	40121071	Seat extension
16		Body
17	40121107	Friction ring
18	40800454	Coupling nut
19		Supply tube
20	40121072	Cone washer
21		Supply Tee
22		Spout nipple
23	40121152	Locknut
24	04893478	Washer
25	40121073	Spout base
26	40121074	Spout
27	40121075	Aerator adapter
28	40110130	Aerator
31	40121132	Hot handle assembly
32	40121133	Cold handle assembly



CRANE HOSPITAL LAVATORY FITTING

ITEM	PART #	DESCRIPTION
1	40121111	Hot index
2	40121112	Cold index
3	40120947	Handle screw
4	40121068	Handle
5	40121070	Flange
6	40121152	Locknut
7	40120954	Dome locknut
8	40120254	Gasket
9	40120046	Stem & bonnet L.H.
10	40121071	Seat extension
11		Body
12	40121072	Cone washer
13	40121107	Friction ring
14	40800454	Coupling nut
15		Locknut
16	04891240	Gasket
17		Spout Tee
18	04894546	Gasket
19		Nipple
20	NLA	Locknut
21	NLA	Washer
22	NLA	Spout
23	40110144	Aerator
24	40121132	Hot handle assembly
25	40121133	Cold handle assembly



CAPRI HANDLES

40120218	Hot
40120621	Cold



**TOTAL
MAINTENANCE
SOLUTIONS**

HOUSTON
800/392-5066

ORLANDO
800/327-3022

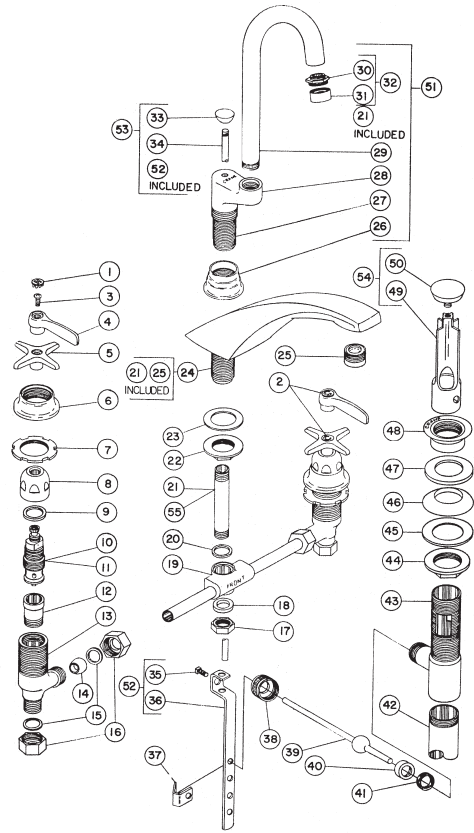
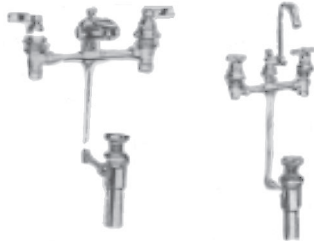
GREENVILLE
800/476-2212

LOOK FOR US ON THE WEB AT: www.TMSSouth.com

FAUCET REPAIR

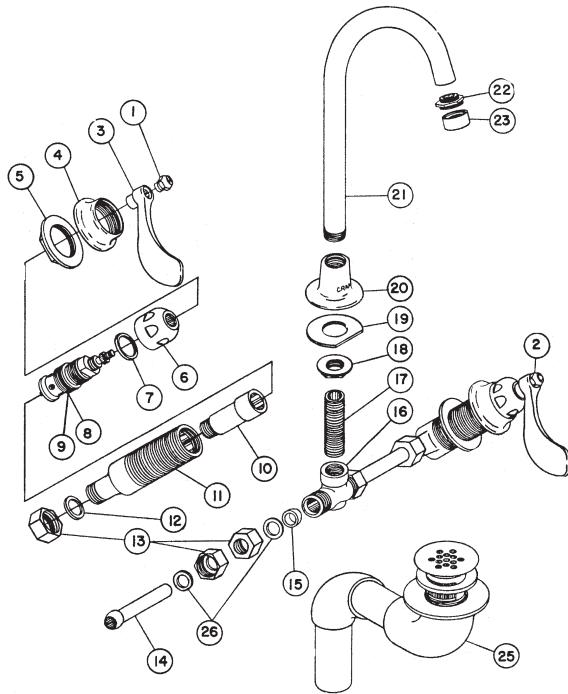
CRANE HOSPITAL LAVATORY FITTING

ITEM	PART #	DESCRIPTION	ITEM	PART #	DESCRIPTION
1	40121111	Hot index	33	04892180	Lift rod knob
2	40121112	Cold index	34	04895844	Lift rod
3	40120947	Handle screw	37	40121063	Clip
4	40120953	Lever handle	38	04896158	Ball retainer cap
5	40121068	Handle	39	40120178	Rod & ball
6	40121070	Flange	40	40121064	Rod & ball seal
7	NLA	Locknut	41	04892150	Packing seal
8	40120954	Dome locknut	42	50552293	Tailpiece
9	40120254	Gasket	43		Waste body
10	40120056	Stem & bonnet R.H.	44	04896310	Locknut
11	40120046	Stem & bonnet L.H.	45	04896140	Washer
12	04894260	Seat extension	46	04893466	Spud gasket
13		Body	47	04894498	Collar gasket
14	40121072	Cone washer	48	40121065	Collar
15	40121107	Friction ring	49	04891970	Stopper guide
16	40800454	Union ring	50	04895762	Stopper
17		Locknut	51	NLA	Spout assembly
18	04891240	Gasket	52	04897366	Lift rod extension assy.
19		Spout Tee	53	04897368	Lift rod
20	04894546	Gasket	54	40121067	Stopper assembly
21		Nipple			
22	NLA	Locknut			
23	NLA	Washer			
24	NLA	Spout			
25	40110144	Aerator			
26	04891580	Escutcheon			
27		Shank			
28		Spout base			
29	NLA	Spout			
30	40121075	Aerator adapter			
31	40110016	Aerator			



CRANE HOSPITAL WHEELCHAIR LAVATORY FITTING

ITEM	PART #	DESCRIPTION
1	40121069	Hot index cap nut
2	41720560	Cold index cap nut
3	40120616	Blade lever handle
4	40121070	Flange
5	40121152	Locknut
6	40120954	Dome locknut
7	40120254	Gasket
8	40171032	Stem & bonnet R.H.
9	40171033	Stem & bonnet L.H.
10	40121071	Seat extension
11		Body
12	40121107	Friction ring
13	40800454	Coupling nut
14		Supply tube
15	40121072	Cone washer
16		Supply Tee
17		Spout nipple
18	NLA	Locknut
19	04893478	Washer
20	40121073	Spout base
21	40121074	Spout
22	40121075	Aerator adapter
23	40110130	Aerator
25		Waste assembly
26		Friction ring



**TOTAL
MAINTENANCE
SOLUTIONS**

HOUSTON
800/392-5066

ORLANDO
800/327-3022

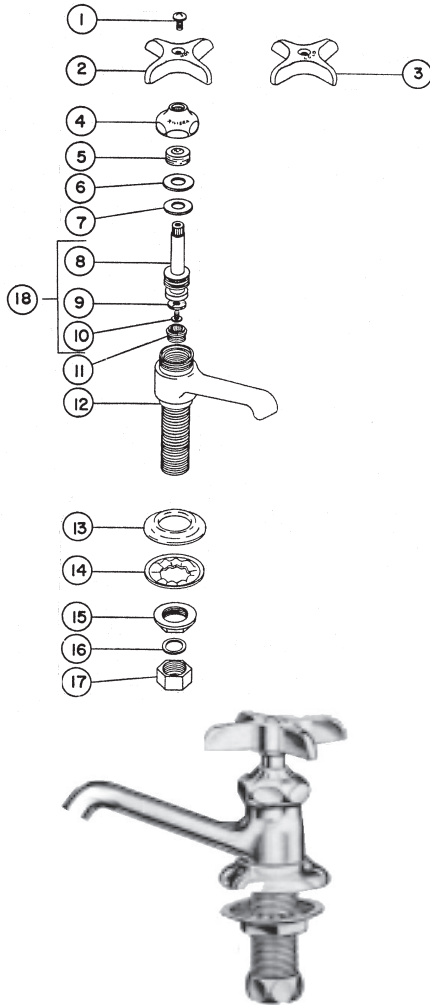
GREENVILLE
800/476-2212

LOOK FOR US ON THE WEB AT: www.TMSSouth.com

FAUCET REPAIR

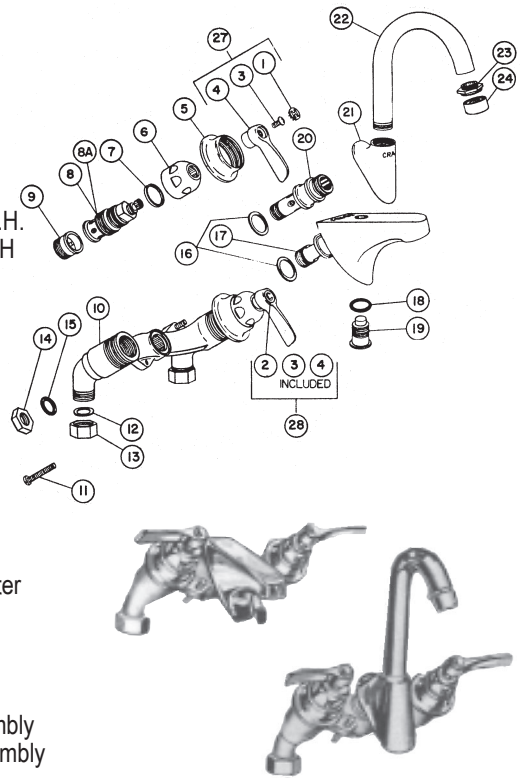
CRANE RIVIERA LAVATORY FAUCET

ITEM	PART #	DESCRIPTION
1	40121093	Handle screw
2	04891730	Hot handle
3	04891720	Cold handle
4	04895298	Cap
5	40121149	Packing
6	40121150	Washer
7	NLA	Washer
8		Stem
9	40110119	Washer
10	50100010	Screw
11	40120256	Seat
12		Body
13	NLA	Flange
14	40800529	Shank washer
15	40800598	Locknut
16	40121107	Friction ring
17	40800454	Coupling nut
18	40121268	Stem assembly - R.H.



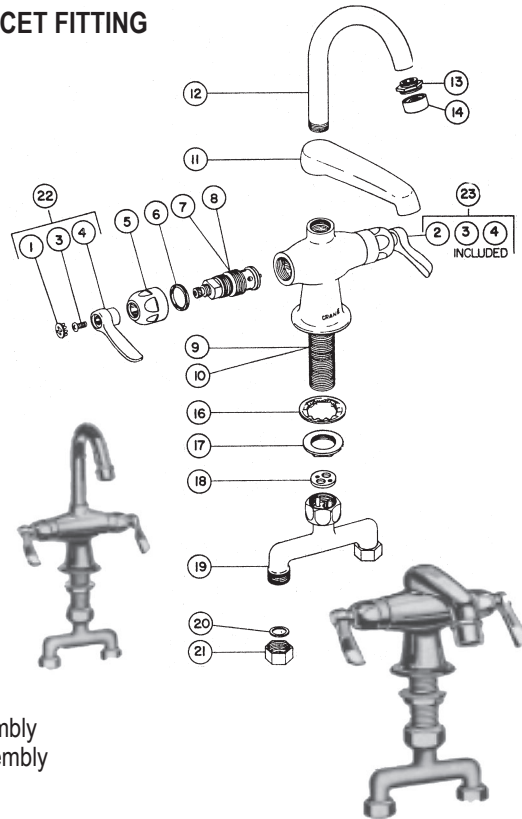
CRANE HOSPITAL 45 DEGREE PANEL BACK FITTING

ITEM	PART #	DESCRIPTION
1	40121111	Hot index
2	40121112	Cold index
3	40120947	Handle screw
4	40120953	Lever handle
5	40121070	Flange
6	40120954	Dome locknut
7	40120254	Gasket
8	40120056	Stem & bonnet R.H.
	40120046	Stem & bonnet L.H.
9	40121118	Seat extension
10		Body
11		Screw
12	40121107	Friction ring
13	40800454	Coupling nut
14		Locknut
15		O-Ring
16		Gasket
17		Spout
18	40950027	O-Ring
19		Spout post
20		Spout base adapter
21	NLA	Spout base
22		Spout
23	40121075	Aerator adapter
24	40110130	Aerator
27	04892294	Hot handle assembly
28	04892295	Cold handle assembly



CRANE HOSPITAL DOUBLE FAUCET FITTING

ITEM	PART #	DESCRIPTION
1	40121111	Hot index
2	40121112	Cold index
3	40120947	Handle screw
4	40120953	Lever handle
5	40120954	Dome locknut
6	40120254	Gasket
7	40120056	Stem & bonnet R.H.
8	40120046	Stem & bonnet L.H.
9		Body
10		Body
11	NLA	Spout
12	04894776	Spout
13	40121075	Aerator adapter
14	40110130	Aerator
16	40800529	Shank washer
17	04895582	Locknut
18	NLA	Washer
19		Twin connector
20	40121107	Friction ring
21	40800454	Union ring
22	04892294	Hot handle assembly
23	04892295	Cold handle assembly



**TOTAL
MAINTENANCE
SOLUTIONS**

HOUSTON
800/392-5066

ORLANDO
800/327-3022

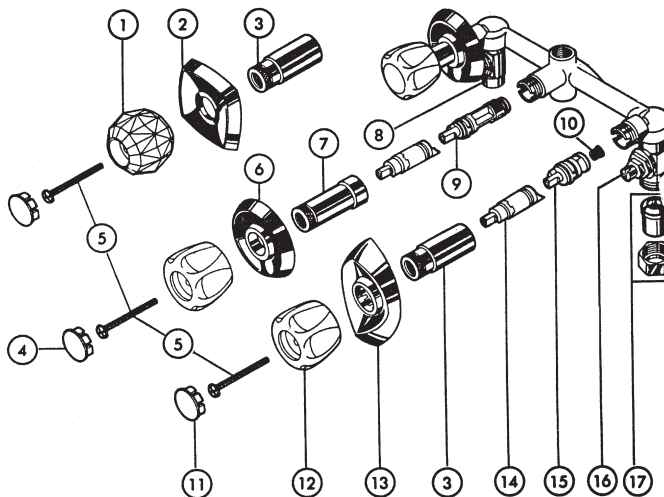
GREENVILLE
800/476-2212

LOOK FOR US ON THE WEB AT: www.TMSSouth.com

FAUCET REPAIR

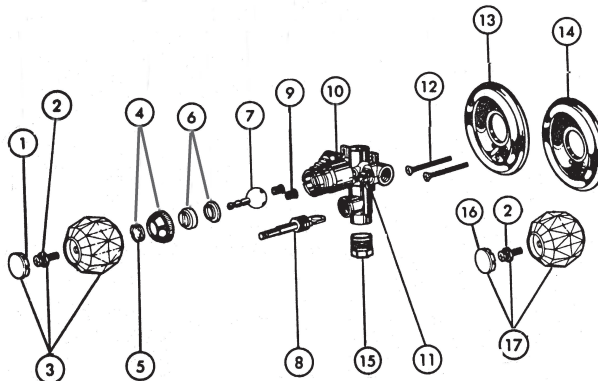
DELTA 2 & 3 HANDLE BATH VALVES - 8" CENTERS

ITEM	PART #	DESCRIPTION
1	40130274	Handle
2	40130683	Escutcheon (specify finish)
3	05221970	Sleeve CP
4	40130690	Button
5	40130221	Screws (2)
6	05222022	Escutcheon
7	40130693	Sleeve CP
8		Stop stem assy. WS
9	40130696	Diverter assembly
10	40130001	Seat & springs (2)
11	05221380	Button set (H&C)
12	40130147	Handles w/buttons & screws
13	40130692	Escutcheon
14	05221980	Extends w/screws (2)
15	40130005	Stem unit
16	40130224	Stop stem assy. (Univ.)
17	40130225	Coupling nuts & tailpieces (2)



DELTA SINGLE KNOB HANDLE BATH VALVE

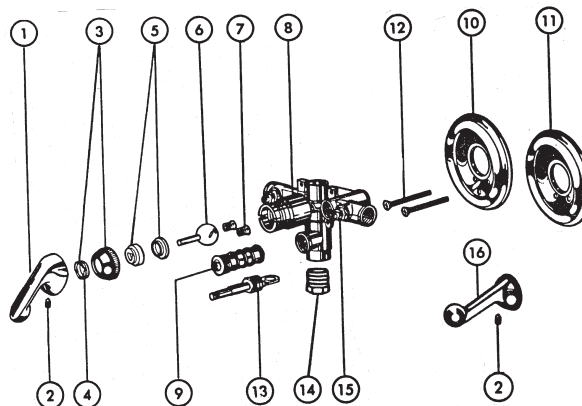
ITEM	PART #	DESCRIPTION
1	05222008	Button, large silver (after 2/1/90)
1A	05222208	Button, large gold
2	05221830	Handle screw
3	40130148	Handle assy., large silver button (after 2/1/90)
3A	05222206	Handle assy., large gold button
4	40130132	Cap w/adjusting ring CP
5	40130246	Adjusting ring
6	40130169	Cam & packing
7	40130002	S/S ball
7A	40130279	Conversion ball for lever handle
8	40130116	Push button diverter
9	40130001	Seats & springs (2)
10	40130682	Sleeve (specify finish)
11		Stop stem assy.
12	40130206	Screws, chrome-plated (2)
12A	05220197	Screws, polished brass (2)
13	40130689	Escutcheon - for push button CP
14	05222034	Escutcheon CP



ITEM	PART #	DESCRIPTION
15		Pipe plug
16	40130258	Button (before 2/1/90)
17	40130008	Handle assy. (before 2/1/90)
*	40130057	Repair kit (619)

DELTA SINGLE LEVER BATH VALVES - PRESSURE BALANCED

ITEM	PART #	DESCRIPTION
1	40130275	Handle w/set screw (after 2/1/90)
2	40130245	Set screw
3	40130132	Cap w/adjusting ring CP
4	40130246	Adjusting ring
5	40130139	Cam & packing
6	40130000	S/S ball
7	40130001	Seats & springs (2)
8	40130682	Sleeve
9	40130159	Balance spool assy.
10	40130689	Escutcheon - push button CP
11	05222034	Escutcheon CP
12	40130206	Screws (2)
12A	05220197	Screws, polished brass (2)
13	40130116	Push button diverter
14		Pipe plug
15	05221070	Stop stem assy.



ITEM	PART #	DESCRIPTION
16	40130164	Handle w/set screw (before 2/1/90)
*	40130057	Repair kit (5&7)



**TOTAL
MAINTENANCE
SOLUTIONS**

HOUSTON
800/392-5066

ORLANDO
800/327-3022

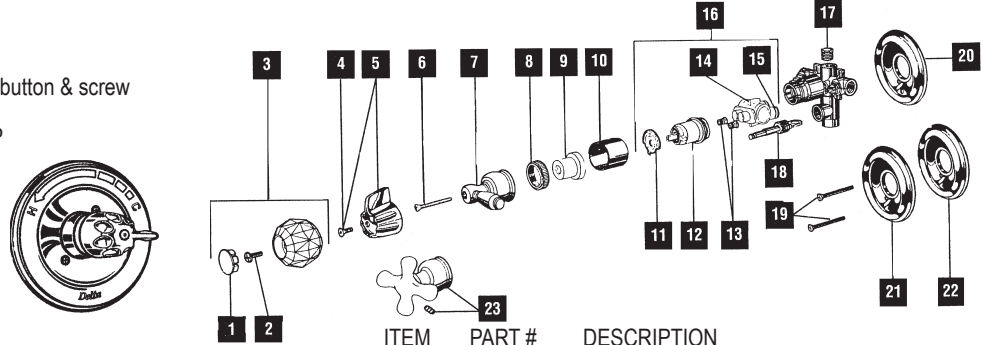
GREENVILLE
800/476-2212

LOOK FOR US ON THE WEB AT: www.TMSSouth.com

FAUCET REPAIR

DELTA SINGLE HANDLE MONITOR BATH VALVES PRESSURE BALANCED – MODEL SERIES 1300 & 1400

ITEM	PART #	DESCRIPTION
1	40130690	Button
2	50100000	Screw
3	40180003	Handle, large silver button & screw
4	50100030	Screw
5	40180022	Handle w/screw CP
6		Screw
7		Handle
8		Bonnet
9		Trim sleeve
10		Sleeve
11	40130119	Rotational limit stop
12	40130203	Cap assembly
13	40130001	Seats & springs
14	40130204	Housing assembly
15	40130205	O-rings
16	40130056	Cartridge assembly
17		Pipe plug
18	40130116	Push button diverter CP
19	40130206	Screws CP (2)

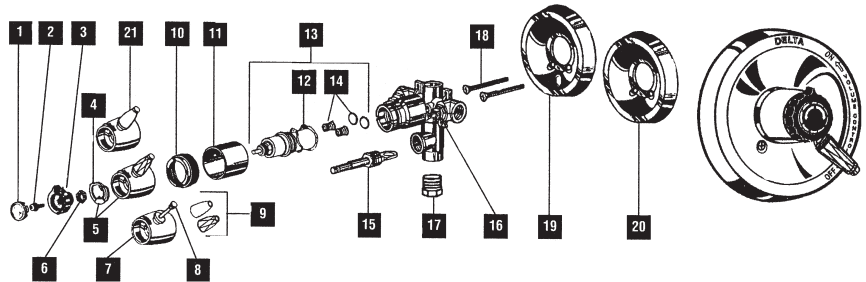


ITEM	PART #	DESCRIPTION
19A	05220197	Screws, PB (2)
20		Escutcheon 1400 series
21		Escutcheon 1400 series PBD
22		Escutcheon 1300 series
23		Handle w/set screws

Please specify model number when ordering trim parts

DELTA SINGLE HANDLE MONITOR BATH VALVES PRESSURE BALANCED - MODEL SERIES 1500

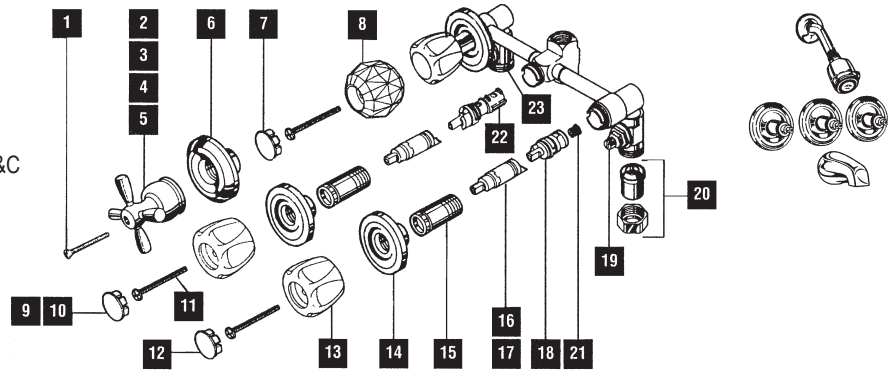
ITEM	PART #	DESCRIPTION
1	40130210	Button
2	05221830	Screw
3	05222104	Handle assy. (temperature)
4	40130212	Rotational limit stop
5		Handle assy. (volume)
6		Nut
7		Handle assembly
8		Nut
9		Lever handle – specify
10		Bonnet
11		Sleeve
12	NLA	Plate & o-rings
13	40130187	Cartridge assembly
14	40130214	Seats, springs & quad rings
15	40130116	Push button diverter CP
16		Stop stem assembly



ITEM	PART #	DESCRIPTION
17		Pipe plug
18	40130206	Screws CP (2)
18A	05220197	Screws PB (2)
19		Escutcheon PBD
20		Escutcheon
21		Handle assy. (volume)

DELTA THREE HANDLE BATH VALVES MODEL SERIES 2600 & 2800

ITEM	PART #	DESCRIPTION
1	40130219	Screws, long (2)
2		Handles – cross H&C
3		Handle – cross Div.
4		Handles – cross porcelain H&C
5		Handle – cross Div.
6	40130223	Escutcheon
7	05222112	Button set
8	40130220	Handle only
9	05222116	Button
10		Button PB
11	40130221	Screws
12	05221380	Button set (H&C)
13	40130147	Handles w/buttons & screws
14		Escutcheon
15	40130222	Sleeve
16	40130141	Extenders w/ 3" screws
17	05222120	Extenders w/ 3-3/4" screws
18	40130005	Stem unit assembly
19	40130224	Stop stem assembly



ITEM	PART #	DESCRIPTION
20	40130225	Coupling nuts & tailpieces
21	40130001	Seats & springs
22	40130157	Diverter assembly
23		Stop stem assy. (copper)



**TOTAL
MAINTENANCE
SOLUTIONS**

HOUSTON
800/392-5066

ORLANDO
800/327-3022

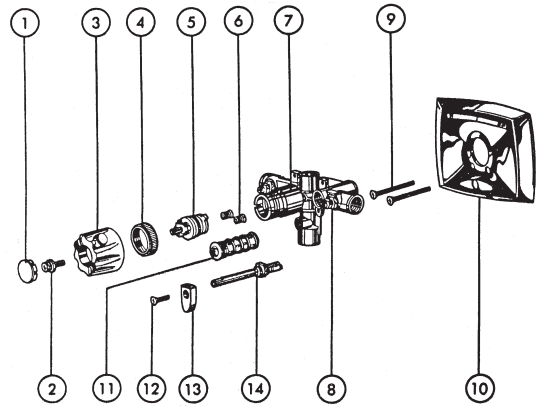
GREENVILLE
800/476-2212

LOOK FOR US ON THE WEB AT: www.TMSSouth.com

FAUCET REPAIR

DELTA SCALD-GUARD BATH VALVES - PRESSURE BALANCED MODEL 1804,1814,1824,1848, - NON-PRESSURE 1802,1812 & 1822

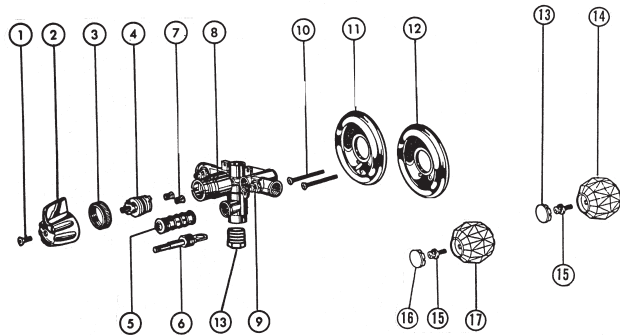
ITEM	PART #	DESCRIPTION
1	40130690	Button
2	50100000	Screws (2)
3	NLA	Handle w/ button & screw
4	40130226	Bonnet
5	40130004	Stem assembly
6	40130001	Seats & springs
7		Sleeve
8	05221070	Stop stem assembly (not WS models)
9	40130206	Screws CP (2)
9A	05220197	Screws PB (2)
10		Escutcheon
11	40130159	Balance spool assembly
12		Screw



ITEM	PART #	DESCRIPTION
13	05222028	Handle w/ screw
14	40130227	Volume control stem assembly

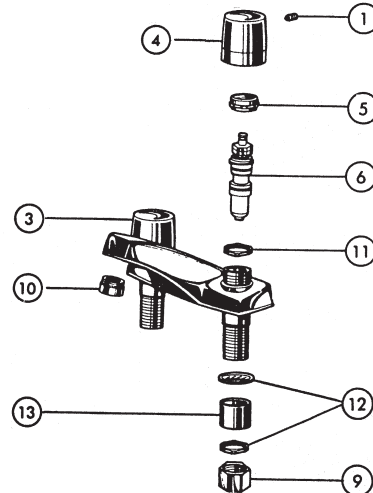
DELTA SCALD-GUARD BATH VALVES - PRESSURE BALANCED

ITEM	PART #	DESCRIPTION
1	50100000	Handle screw
2	40180022	Handle w/ screw
3	40130226	Bonnet CP
4	40130004	Stem unit assembly
5	40130159	Balance spool assembly
6	40130116	Push button diverter
7	40130001	Seats & springs (2)
8	40130229	Sleeve
9	05221070	Stop stem assembly
10	40130206	Screws, CP (2)
10A	05220197	Screws, PB (2)
11	05222016	Escutcheon - push button
12	40130228	Escutcheon
13	40130690	Button (before 2/1/90)
14	NLA	Handle assembly (before 2/1/90)
15	50100000	Handle screws (2)
16	40130200	Button (after 2/1/90)
17	40180003	Handle assembly (after 2/1/90)



DELTA SLOW SELF-CLOSING LAVATORY FITTINGS

ITEM	PART #	DESCRIPTION
1	40130230	Set screw
3	40130231	Handle w/ set screw - hot
4	40130232	Handle w/set screw - cold
5	40130233	Bonnet nuts (2)
6	40130003	Valve assembly
9	40800454	Coupling nut
10	45972020	VP aerator w/wrench
11	40130234	Locknuts (2)
12	40800529	Metal washer
	40800598	Brass locknut
13	40130235	Spacer



**TOTAL
MAINTENANCE
SOLUTIONS**

HOUSTON
800/392-5066

ORLANDO
800/327-3022

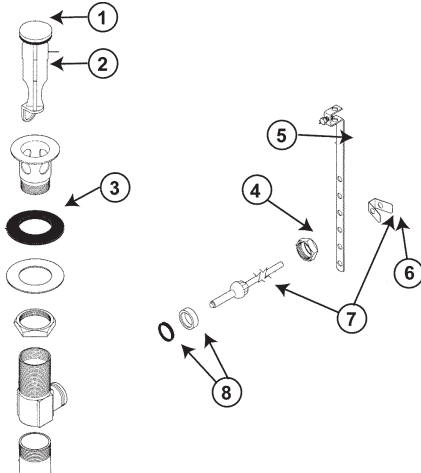
GREENVILLE
800/476-2212

LOOK FOR US ON THE WEB AT: www.TMSSouth.com

FAUCET REPAIR

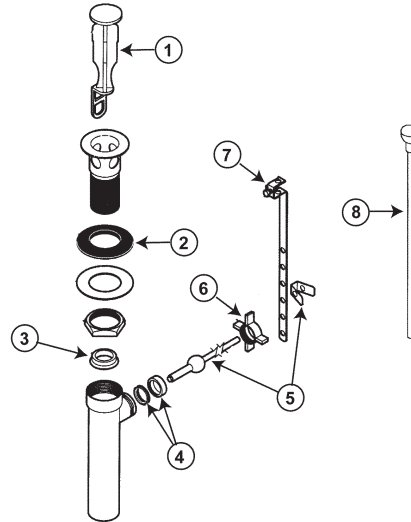
DELTA RP26533 METAL POP UP ASSEMBLY (LESS LIFT ROD)

ITEM	PART #	DESCRIPTION
1	40130236	Stopper Seal
2	40130161	Stopper w/ seal
3	40130237	Gasket
4	40130238	Nut
5	40130239	Strap & screw
6	40130240	Spring clip
7	40130241	Horizontal Rod w/ clip – 6-1/8" long
8	40130242	Pivot seat & Gasket
	40130243	Complete pop-up assembly



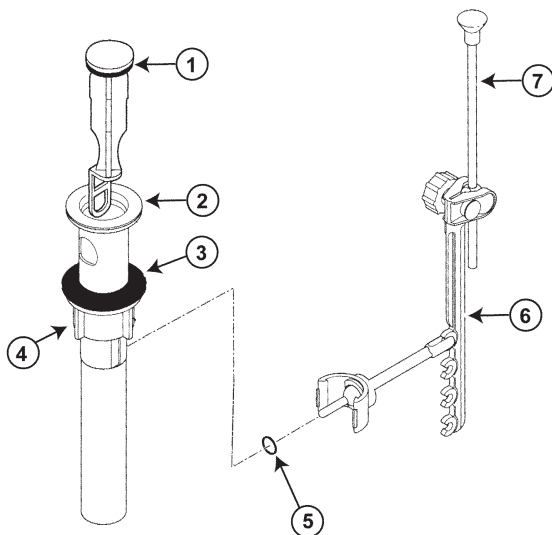
DELTA RP 27575 COMPLETE 50/50 POP-UP ASSEMBLY

ITEM	PART #	DESCRIPTION
1	40130161	Stopper w/ seal
2	40130237	1-1/4" Mack basin gasket
3		Flange seal
4	40130242	Pivot seat & gasket
5	40130241	Horizontal rod w/ clip – 6-1/8" long
6	05223038	Pivot nut
7	40130239	Strap & screw
8	40800870	Lift rod



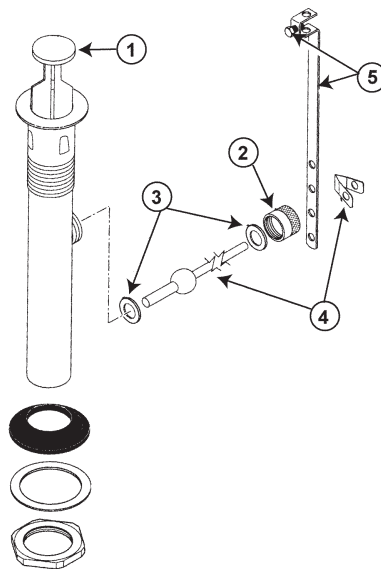
DELTA COMPLETE SNAP-N-POP-UP ASSEMBLY

ITEM	PART #	DESCRIPTION
1	40130161	Stopper
2		Foam gasket
3	40130237	1-1/4" Mack basin gasket
4		Nut
5	05222054	O-ring
6	40130244	Pivot rod & strap
7	40800870	(Lift rod)



DELTA COMPLETE SNAP-N-POP-UP ASSEMBLY (METAL)

ITEM	PART #	DESCRIPTION
1		Stopper
2		Nut
3	05229797	Gaskets
4	05229796	Lever ball & assembly clip
5	40130239	Strap & screw



**TOTAL
MAINTENANCE
SOLUTIONS**

HOUSTON
800/392-5066

ORLANDO
800/327-3022

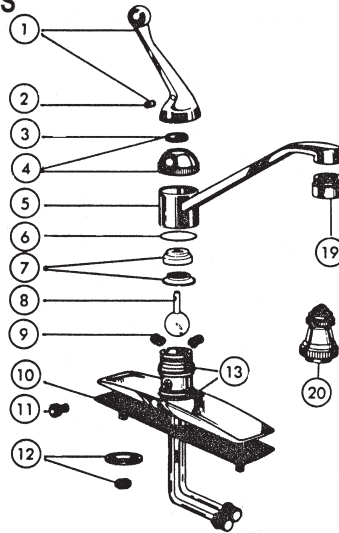
GREENVILLE
800/476-2212

LOOK FOR US ON THE WEB AT: www.TMSSouth.com

FAUCET REPAIR

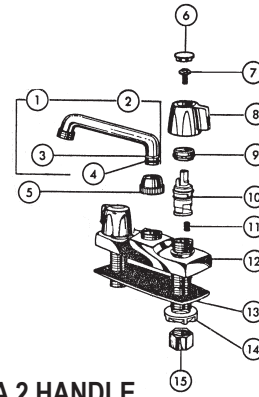
DELTA SINGLE LEVER KITCHEN DECK FAUCETS

ITEM	PART #	DESCRIPTION
1	40130009	Handle w/set screw
2	40130245	Set screw
3	40130246	Adjusting ring
4	40130132	Cap w/adjusting ring CP
5	40130160	8" spout
6	40130247	Slip ring
7	40130139	Cam & packing
8	40130000	S/S ball
9	40130001	Seats & springs (2)
10	40130248	Gasket
11	40130125	Diverter assembly
12	40130249	Nuts & washers (2)
13	41001450	Spout o-rings
19	40110144	Aerator
20	05221080	Swivel aerator
	40130138	TMS kit (item 7, 9, 13, wrench)



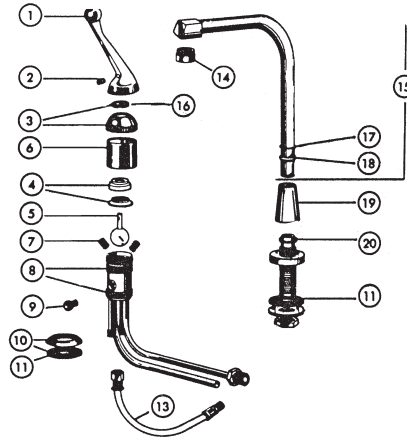
DELTA 2 HANDLE LAUNDRY FAUCETS

ITEM	PART #	DESCRIPTION
1	05222056	Spout assembly
2	05222058	Spout assy. (L/hose thd)
3	NLA	Retaining ring
4	40950025	O-Ring
5	40130255	Bonnet
6	05221150	Button set
7	50100000	Screws (2)
8	40130010	Handles (H&C)
9	40130233	Bonnet nuts (2)
10	40130005	Stem unit
11	40130001	Seats & springs (2)
12		Escutcheon
13		Under cover plate
14	40130253	Locknuts (2)
15	40800454	Coupling nut



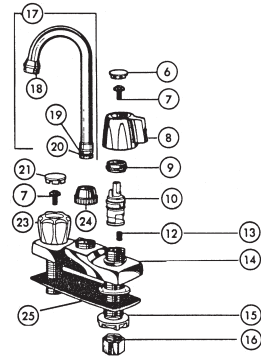
DELTA SINGLE LEVER WATERFALL FAUCETS

ITEM	PART #	DESCRIPTION
1	40130009	Handle w/set screw
2	40130245	Set screw
3	40130132	Cap w/adjusting ring CP
4	40130139	Cam & packing
5	40130000	S/S ball
6		Escutcheon
7	40130001	Seats & springs (2)
8	41001450	Spout o-rings
9	40130125	Diverter
10		Base w/gaskets
11		Gasket
13	05221560	Hose
14	40110144	Aerator
15	05222052	Spout assembly
16	40130246	Adjusting ring
17	40950035	O-ring
18	05222046	Retaining ring
19	05222048	Bonnet
20	05222050	O-ring
*	40130057	Repair kit



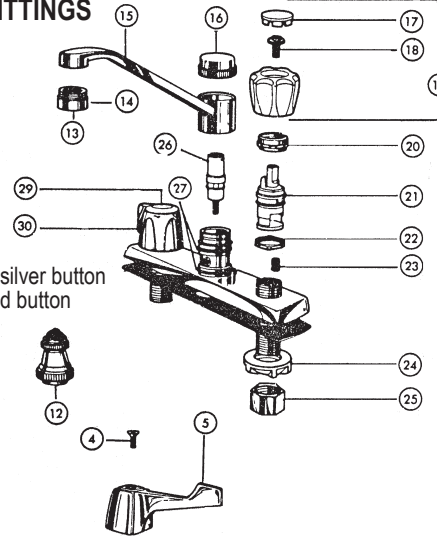
DELTA TWO HANDLE BAR FAUCETS

ITEM	PART #	DESCRIPTION
6	05221150	Button set
7	50100000	Screws (2)
8	40130010	Handles (H&C)
9	40130233	Bonnet nuts (2)
10	40130005	Stem unit
12	40130001	Seats & springs (2)
13	40130012	Seats & springs (2) - Ceramic
14		Escutcheon
15	40130253	Locknuts (2)
16	40800454	Coupling nut
17	40130256	Spout assembly
18	40110124	Aerator
19	05222060	Retaining ring
20	40950025	O-Ring
21	05221380	Button set
23	40130147	Handles (H&C)
24	40130255	Bonnet
25		Undercover plate



DELTA TWO HANDLE KITCHEN DECK FITTINGS

ITEM	PART #	DESCRIPTION
4	40130126	Screws
5	40130250	Handles w/screws (H&C)
12	05221080	Swivel aerator
13	40110144	Aerator
14	45972020	VP aerator w/wrench
15	40130251	Spout assembly
16	40130252	Spout nut
17	05221380	Button set (H&C)
18	50100000	Screws (2)
19	40130147	Handles w/screws (H&C), lg silver button
19A	05221395	Handles w/ screws, large gold button
20	40130233	Bonnet nuts
21	40130005	Stem unit
22	40130234	Locknuts (2)
23	40130001	Seats & springs (2)
24	40130253	Locknuts (2)
25	40800454	Coupling nuts
26	40130158	Diverter unit
27	40130254	Spout o-rings
29	05221150	Button set (H&C)
30	40130010	Handle assy. (H&C)



**TOTAL
MAINTENANCE
SOLUTIONS**

HOUSTON
800/392-5066

ORLANDO
800/327-3022

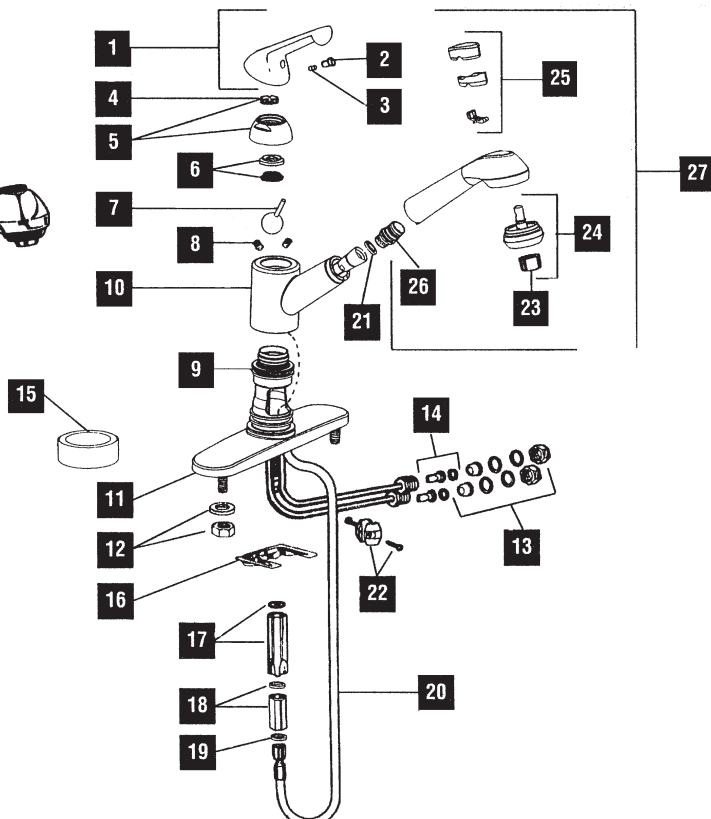
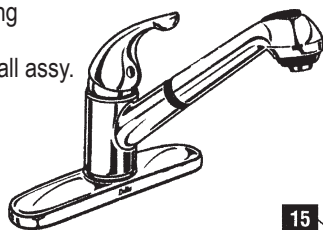
GREENVILLE
800/476-2212

LOOK FOR US ON THE WEB AT: www.TMSSouth.com

FAUCET REPAIR

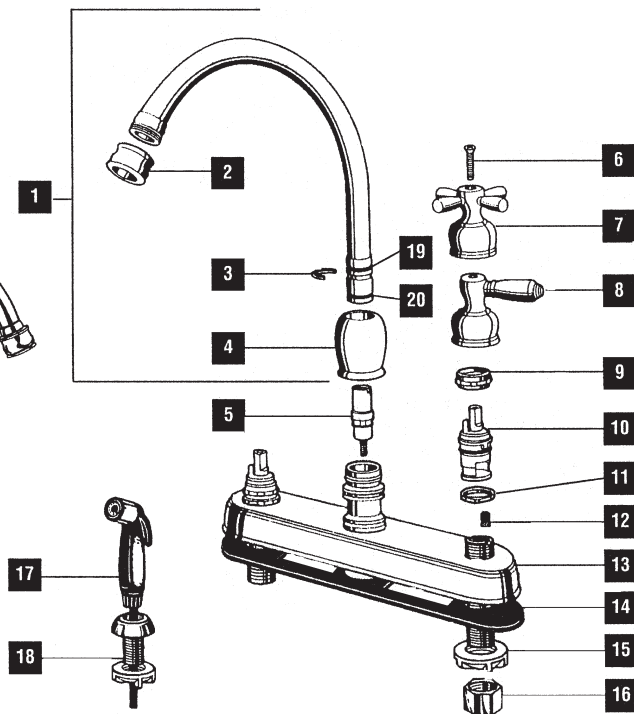
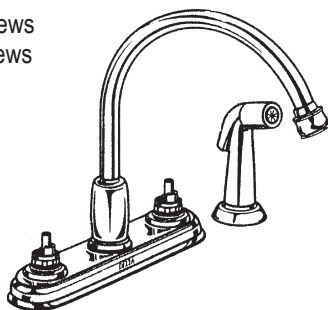
DELTA SINGLE LEVER GOURMET SPRAY MODEL 462

ITEM	PART #	DESCRIPTION
1	05222124	Handle w/button & set screw CP
2	05222126	Button
3	40130245	Set screw
4	40130246	Adjusting ring
5	RP16359	Cap w/adjusting ring
6	40130139	Cam assembly
7	40130257	Vacuum breaker ball assy.
8	40130001	Seats & springs
9	05222130	O-rings
10	RP21536	Hub assembly
11	RP21537	Gasket
12	40130249	Nuts & washers
13	RP5861	Coupling nuts
14	05222302	Check valve assy.
15	RP22119	Base
16	05223042	Mounting bracket
17	05221722	Nut & wrench
18	RP21539	Adapter & fibre washer
19	05222132	Hose washer small
20	05222134	Hose assembly
21	05222138	Hose washer (large)
22	05221743	Lead weights & screws
23	05222140	Aerator CP
24	05222136	Spray face assembly
25	RP21545	Cover, support & lever
26	RP21546	Hose adapter assembly
27	RP21547	Spout assembly



DELTA TWO HANDLE NEOSTYLE KITCHEN FAUCET

ITEM	PART #	DESCRIPTION
1	RP21962	Spout assembly
2	05222142	Aerator CP
	05222144	Aerator PB
3	05222146	Retaining ring
4	RP15535	Spout bonnet
5	40130158	Diverter unit
6		Screws
7		Handles - Cross w/ screws
8		Handles - Lever w/ screws
9	40130233	Bonnet nuts
10	40130005	Stem unit
11	40130234	Locknuts
12	40130001	Seats & springs
13	RP15536	Escutcheon
14	RP21461	Gasket
15	40130253	Locknuts
16	40800454	Coupling nuts
17	40110142	Spray less hose - black
	45731007	Spray less hose - white
18	40130680	Hose guide base - black
	45731001	Hose guide base - white
19	40950027	Thin o-ring
20	40950026	Thick o-ring



**TOTAL
MAINTENANCE
SOLUTIONS**

HOUSTON
800/392-5066

ORLANDO
800/327-3022

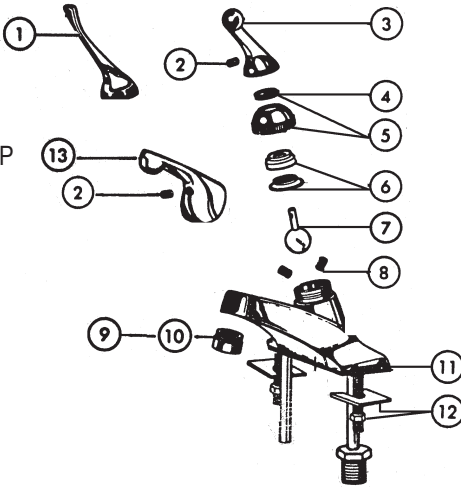
GREENVILLE
800/476-2212

LOOK FOR US ON THE WEB AT: www.TMSSouth.com

FAUCET REPAIR

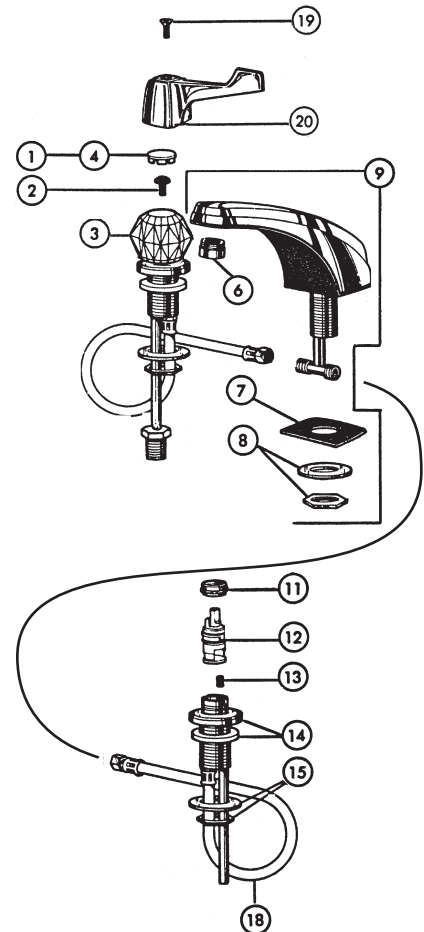
DELTA SINGLE LEVER LAVATORY FITTINGS

ITEM	PART #	DESCRIPTION
1	40130149	Handle w/ set screw
2	40130245	Set screw
3	40130164	Handle w/ set screw
4	40130246	Adjusting ring
5	40130132	Cap w/ adjusting ring CP
6	40130139	Cam & packing
7	40130000	S/S ball
8	40130001	Seats & springs (2)
9	40110144	Aerator
10	40110166	VP aerator w/ wrench
11	05221760	Base
12	40130154	Nuts & washers (2)
13	40130275	Handle w/ set screw (after 2/1/90)
	40130138	TMS South kit (items 6, 8, wrench)



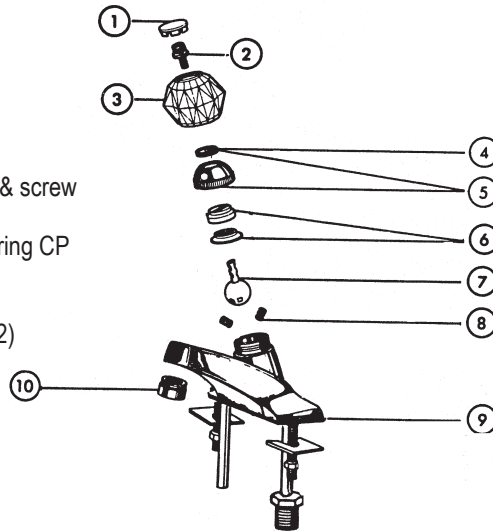
DELTA TWO HANDLE LAVATORY WIDESPREAD FITTINGS

ITEM	PART #	DESCRIPTION
1	40130691	Button set (old style)
2	50100000	Screws (2)
3	40130274	Handle
4	05221860	Large button, silver (H&C) (new style)
5	40130260	Handle - chrome
6	40110144	Aerator
7		Gasket
8		Nut & washer
9		Spout assembly
11	40130233	Bonnet nuts (2)
12	40130005	Stem unit (old style)
	40130118	Stem unit (new style)
13	40130001	Seats & springs (2)
14		Base & gasket
15		Nuts & washers
16	50100000	Screws (2)
18	05221560	Hose
18A	05223435	Quick connect hose assy.
19	40130126	Screws (2)
20	40130250	Wrist handles w/ screws
21	40130262	Handles, large gold button
22	05221443	Large gold button



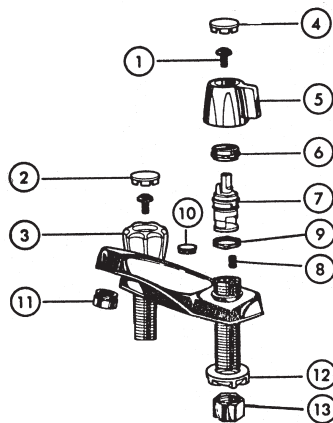
DELTA SINGLE KNOB HANDLE LAVATORY FITTINGS

ITEM	PART #	DESCRIPTION
1	40130258	Button
2	05221830	Screw
3	40130163	Handle w/ button & screw
4	40130246	Adjusting ring
5	40130132	Cap w/ adjusting ring CP
6	40130169	Cam & packing
7	40130002	S/S ball
8	40130001	Seats & springs (2)
9	05221760	Base
10	40110144	Aerator
*	40130283	Repair kit



DELTA TWO HANDLE LAVATORY FITTINGS

ITEM	PART #	DESCRIPTION
1	50100000	Screws (2)
2	40130691	Button set (H&C)
3	40130147	Handles (H&C)
4	05221150	Button set (H&C)
5	40130057	Handles (H&C)
6	40130233	Bonnet nuts (2)
7	40130005	Stem unit
8	40130001	Seats & springs (2)
9	40130234	Locknuts (2)
10	40130259	Button
11	40110144	Aerator
12	40130253	Locknuts (2)
13	40800598	Coupling nut



**TOTAL
MAINTENANCE
SOLUTIONS**

HOUSTON
800/392-5066

ORLANDO
800/327-3022

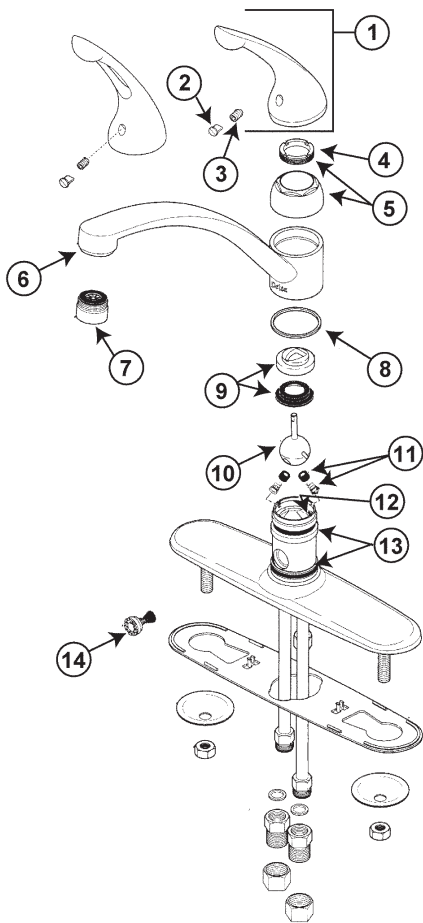
GREENVILLE
800/476-2212

LOOK FOR US ON THE WEB AT: www.TMSouth.com

FAUCET REPAIR

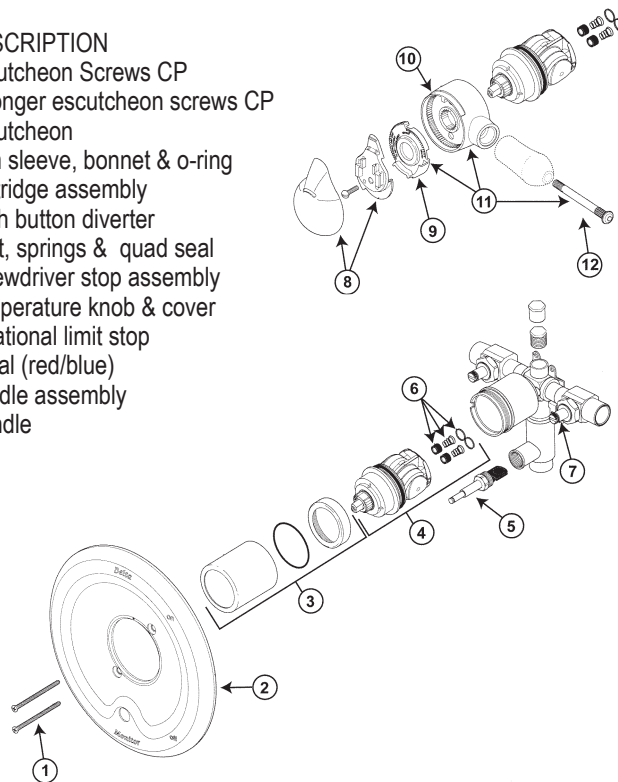
DELTA SINGLE LEVER KITCHEN MODELS 140, 142, 440 & 442

ITEM	PART #	DESCRIPTION
1	05228898	Handle w/ button & set screw
2		Red/blue button
3	40130245	Set screw
4	40130246	Adjusting ring
5	40130132	Cap w/ adjusting ring
6		9" spout
7	40110144	Aerator
8	40130247	Slip ring
9	40130139	Cam & packing
10	40130000	S/S ball assembly
11	40130001	Seat & springs
12	05228400	Body pin
13	40950060	Spout o-rings
14	40130125	Diverter assembly
15	05222183	Handle w/ button & set screw



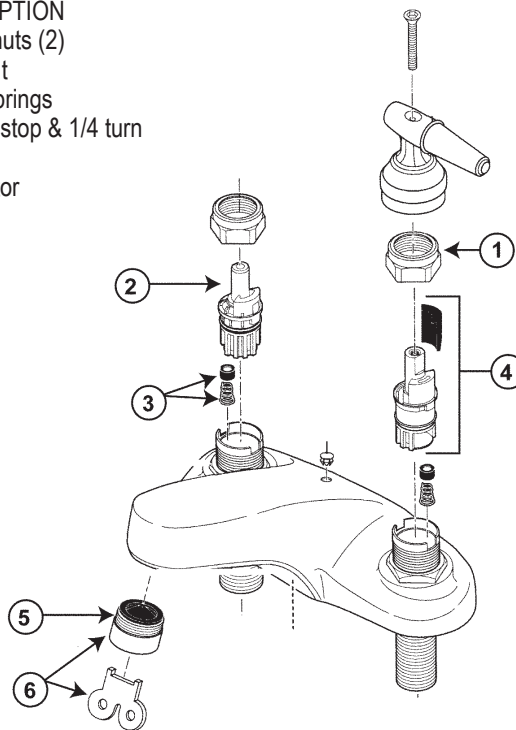
DELTA SINGLE HANDLE MONITOR BATH VALVES - 1700 SERIES

ITEM	PART #	DESCRIPTION
1	40130206	Escutcheon Screws CP
	40130219	1" longer escutcheon screws CP
2	40130263	Escutcheon
3	40130264	Trim sleeve, bonnet & o-ring
4	40130187	Cartridge assembly
5	40130116	Push button diverter
6	40130268	Seat, springs & quad seal
7	05226213	Screwdriver stop assembly
8	40130269	Temperature knob & cover
9	40130270	Rotational limit stop
10	40130271	Decal (red/blue)
11	40130272	Handle assembly
12	40130273	Spindle



DELTA TWO HANDLE LAVATORY

ITEM	PART #	DESCRIPTION
1	40130233	Bonnet nuts (2)
2	40130005	Stem unit
3	40130001	Cup & springs
4	40130118	Stem w/ stop & 1/4 turn
5	40110144	Aerator
6	40110166	VP aerator



TOTAL MAINTENANCE SOLUTIONS

HOUSTON
800/392-5066

ORLANDO
800/327-3022

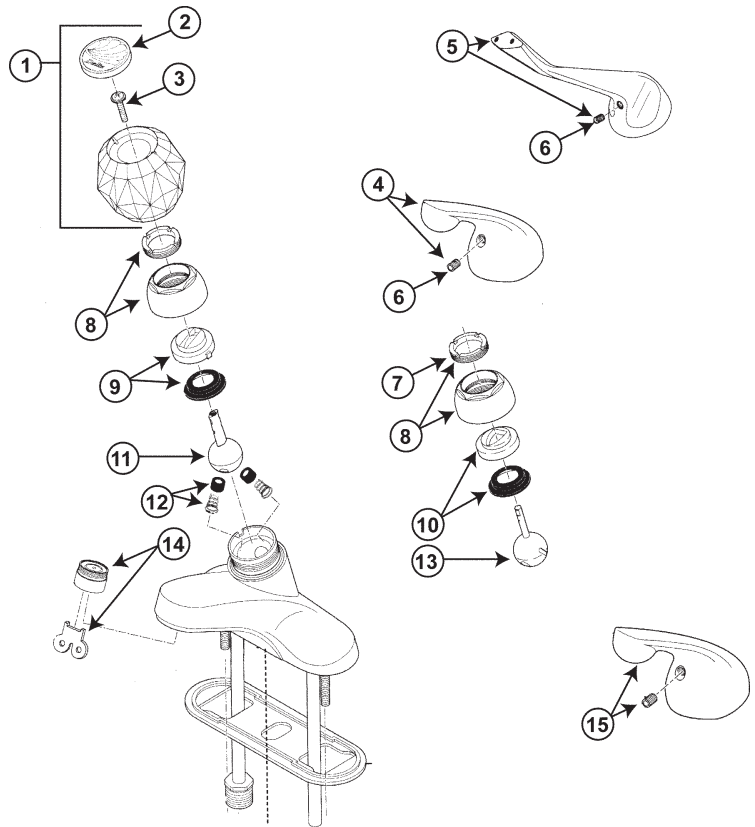
GREENVILLE
800/476-2212

LOOK FOR US ON THE WEB AT: www.TMSSouth.com

FAUCET REPAIR

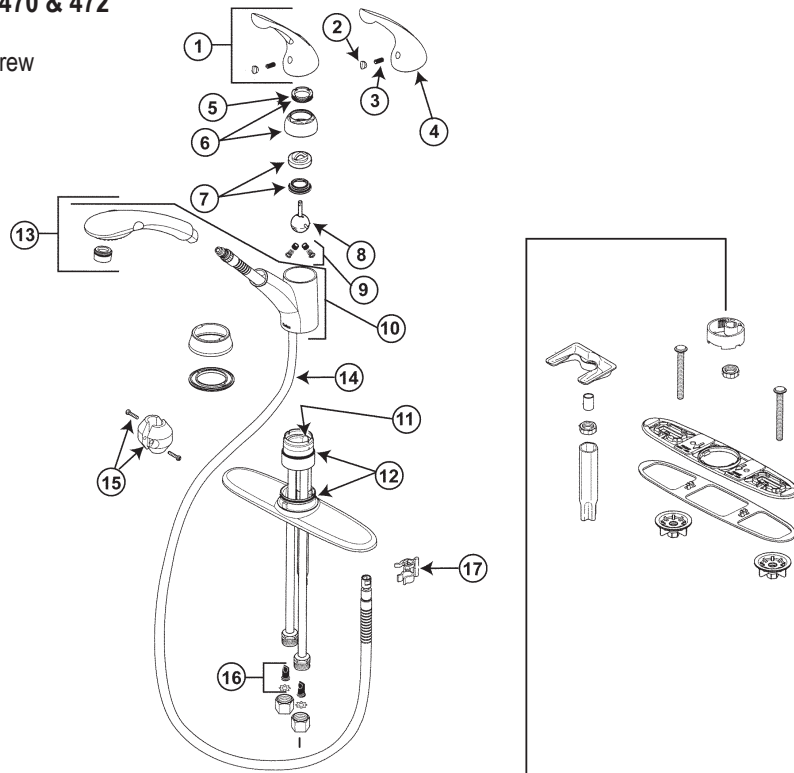
DELTA SINGLE LEVER LAVATORY MODELS 500-505

ITEM	PART #	DESCRIPTION
1	05227449	Handle w/ button & screw, large silver button
2	05222008	Large silver button
	05222208	Large gold button
3	05221830	Screw
4	40130275	Handle w/ set screw
5	40130149	Handle w/ set screw, blue/red indicator
6	40130245	Set screw
7	40130246	Adjusting ring
8	40130132	Cap w/ adjusting ring
9	40130169	Cam & packing
10	40130139	Cam & packing – lever handle
11	40130002	S/S ball assy – crystal handle
12	40130001	Seat & springs
13	40130000	S/S ball assy. – lever handle
14	40110166	VP aerator
15	40130276	Handle w/ set screw, red/blue indicator



DELTA SINGLE LEVER KITCHEN MODELS 470 & 472

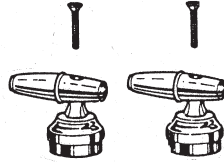
ITEM	PART #	DESCRIPTION
1	05222183	Loop handle w/ button & set screw
2		Red/blue button
3	40130245	Set screw
4	05228898	Lever handle w/ button & set screw
5	40130246	Adjusting ring
6	40130132	Cap w/ adjusting ring
7	40130139	Cam & packing
8	40130257	Vacuum breaker ball assembly
9	40130001	Seats & springs
10		Wand & hub assembly
11	05228400	Body pin
12	40130277	Spout o-rings
13	05222542	Wand assembly
14	05222527	Hose assembly
15	05221723	Zinc weights & screws
16	05222302	Check valve assembly
17	05222522	Clip



FAUCET REPAIR

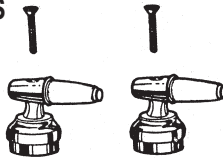
DELTA LEVER HANDLES W/ SCREWS - CHROME BASE

PART #	LEVERS
05222064	Oak Wood
05222066	Porcelain
40130278	Crystal
40130279	Converter Ball



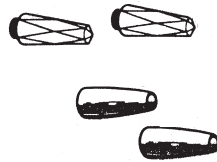
DELTA LEVER HANDLES W/ SCREWS - POLISHED BRASS BASE

PART #	LEVERS
05222070	Oak Wood
05222072	Porcelain
05222074	Crystal



DELTA LEVERS ONLY

PART #	TYPE
05222076	Oak Wood
05222078	Porcelain
05222080	Crystal
40130280	Chrome
05222084	Polished Brass



DELTA SPOUTS - SINGLE LEVER FAUCETS

PART #	TYPE
05221480	4" spout
40130160	8" spout
40130281	10" spout
40130282	12" spout



DELTA SPOUTS - TWO HANDLE FAUCETS

PART #	TYPE
40130251	8" spout
05221450	12" spout

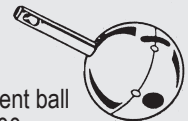


DELTA REPAIR KIT SINGLE LEVER FITTINGS

FAUCETS USING 212 BALL
Used with
Crystal handle



FAUCETS USING 70 BALL
Used with
Lever handle



S/S Replacement ball
Part # 40130002

S/S Replacement ball
Part # 40130000

Seat & Spring Kit
Part # 40130001



Seat & Spring Kit
Part # 40130001



Internal Parts Kit
Part # 40130283



Internal
Parts Kit
Part # 40130057



MASTER PARTS KIT

Part # 40130127 (includes items listed on chart below)

SMALL
"O" RINGS

LEVER AND
CRYSTAL
HANDLE
CAMS

LEVER AND
CRYSTAL
HANDLE
BALLS

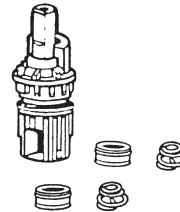
LARGE
"O" RINGS
ADJUSTING
WRENCHES

SEATS
FOR
ALL
BODIES

DIVERTERS
ADJUSTING
RINGS
SPRINGS
CONICAL - FOR
LINED BODIES
CYLINDRICAL
FOR UNLINED
BODIES

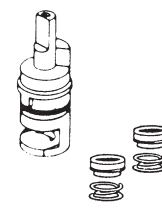
TWO HANDLE FITTINGS

1740 Stem Unit
Part # 40130005



Seat & Spring Kit
Part # 40130001

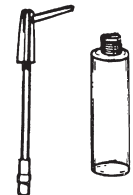
8230 Ceramic Stem Unit
Part # 40130011



Seat & Spring Kit
Part # 40130012

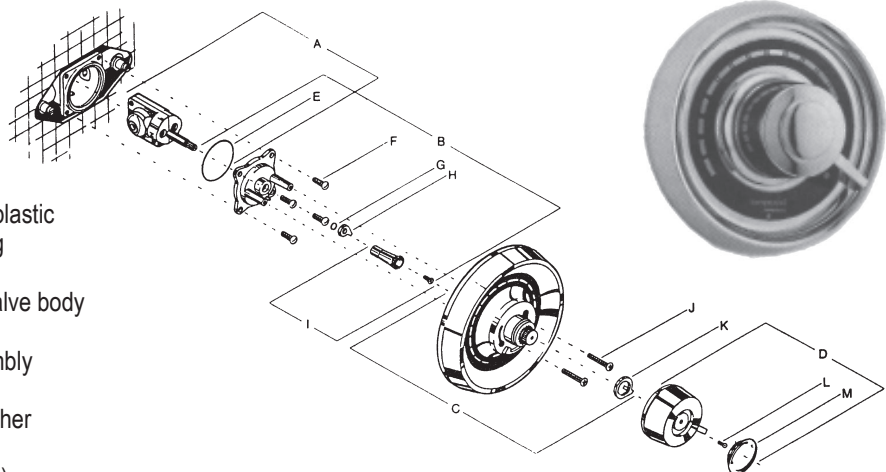
SOAP DISPENSER PARTS

PART #	DESCRIPTION
05221350	Pump & head
40130284	Bottle



DANFOSS TEMPRESS II TUB & SHOWER VALVE

ITEM	PART #	DESCRIPTION
A	40170015	Replacement cartridge assembly
B	40130114	Valve body assy.
C	31050120	Escutcheon - CP Metal
D	40110155	Handle assembly - clear plastic
E		Valve body to cover o-ring
F		Valve cover screw
G	40950019	O-ring - stop washer to valve body
H		Valve cover stop washer
I	31050220	Replacement drive assembly
J		Escutcheon screw
K		Hot temperature limit washer
L		Handle screw
M	31050208	Snap-in cap (black plastic)



**TOTAL
MAINTENANCE
SOLUTIONS**

HOUSTON
800/392-5066

ORLANDO
800/327-3022

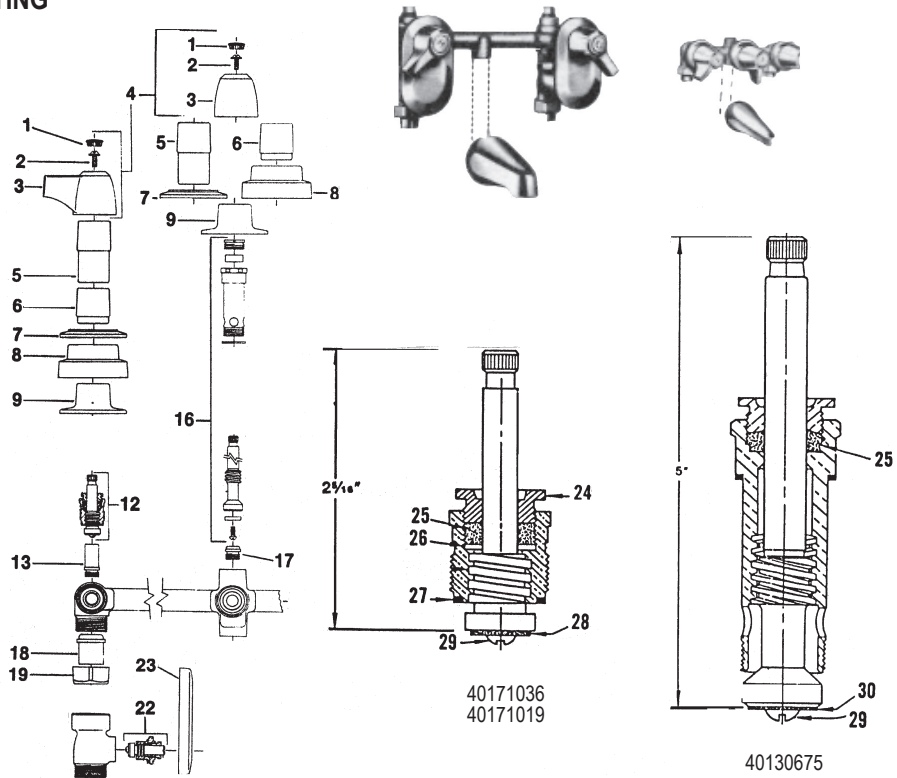
GREENVILLE
800/476-2212

LOOK FOR US ON THE WEB AT: www.TMSSouth.com

FAUCET REPAIR

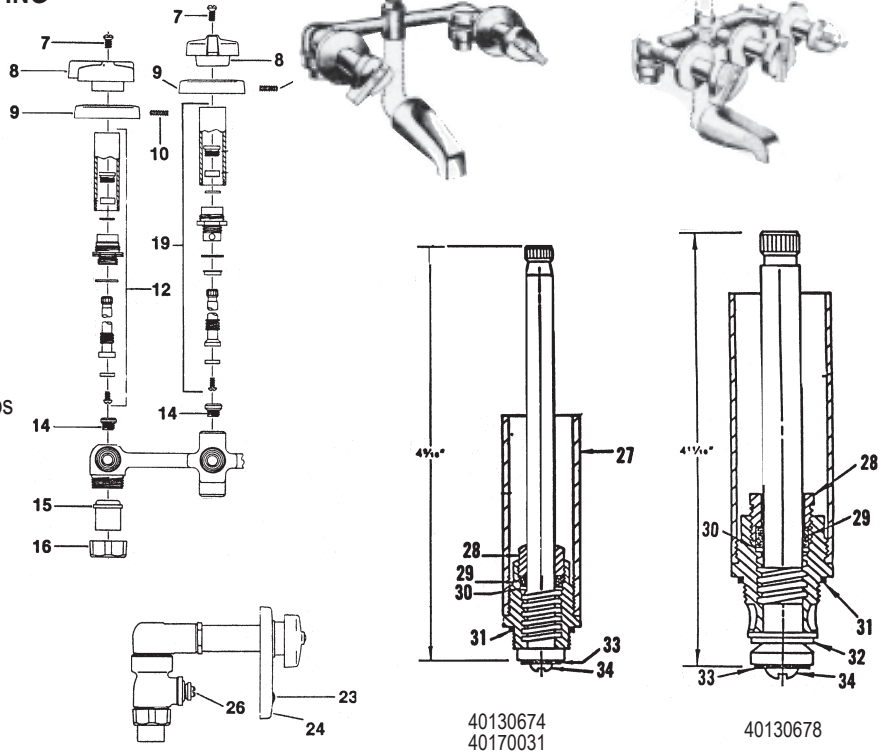
ELJER LIFETIME BATH & SHOWER FITTING

ITEM	PART #	DESCRIPTION
1	40130527	Hot index
	40130528	Cold index
	06890198	Arrow index
2	06890150	Washer head screw
4	40130530	Hot handle assembly
	40130531	Cold handle assembly
	40130532	Arrow handle assembly
5	40130533	Sleeve
6		Sleeve -integral stop ftng.
7		Flange
8		Flange
9	40130703	Flange
	40130704	Sleeve for flange
12	40171036	Stem & bonnet L.H.
	40171019	Stem & bonnet R.H.
13	40130117	Seat
16	40130675	Diverter stem assy.
17	40130535	Seat
18		Tailpiece
19		Coupling nut
22		Stem unit
23		Flange
24	40130629	Packing nut
25	40130108	Packing
26	40130630	Gasket
27	40130536	Gasket
28	40110119	Washer
29	50100020	Screw
30	40110162	Washer



ELJER LUSTERLINE BATH & SHOWER FITTING

ITEM	PART #	DESCRIPTION
7	40130624	Handle screw
8	06895248	Hot handle
	06895246	Cold handle
9	06896349	Flange w/screw
10		Order item 9
12	40130674	Stem & bonnet assy. L.H.
	40170031	Stem & bonnet assy. R.H.
14	40130538	Seat
15		Tailpiece
16		Coupling nut
19	40130678	Diverter stem assembly
23		Button
24	40130539	Flange assy. - for integral stops
26	40130540	Stem assembly
27	40130541	Sleeve
28	40130697	Packing nut
29	40130108	Packing
30	40130630	Gasket
31	41720140	Gasket
32	40130542	Washer
33	40110119	Washer
34	50100020	Screw



**TOTAL
MAINTENANCE
SOLUTIONS**

HOUSTON
800/392-5066

ORLANDO
800/327-3022

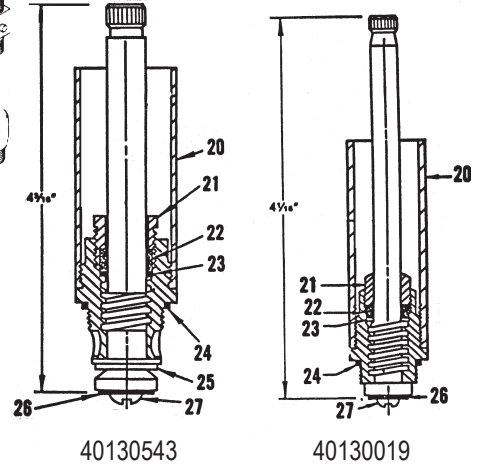
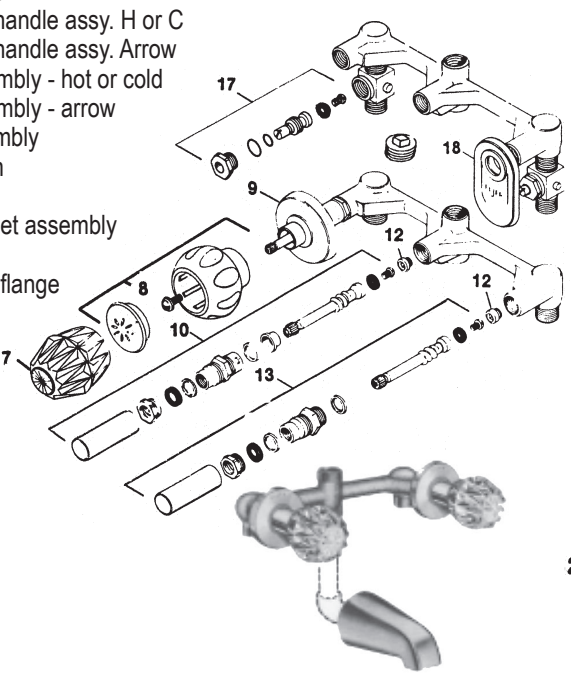
GREENVILLE
800/476-2212

LOOK FOR US ON THE WEB AT: www.TMSSouth.com

FAUCET REPAIR

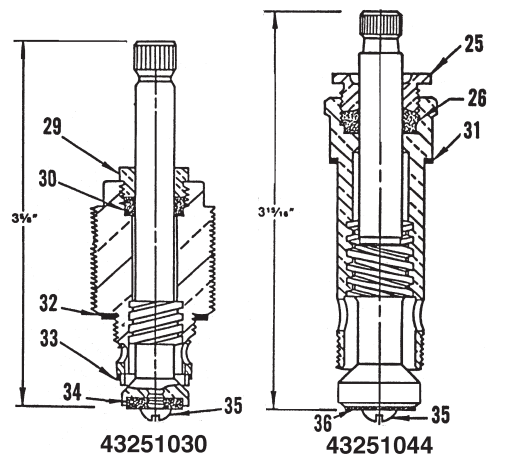
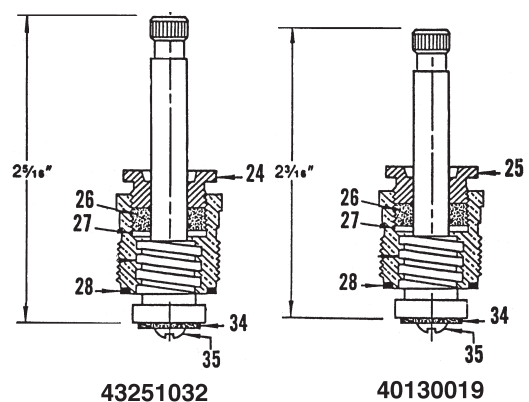
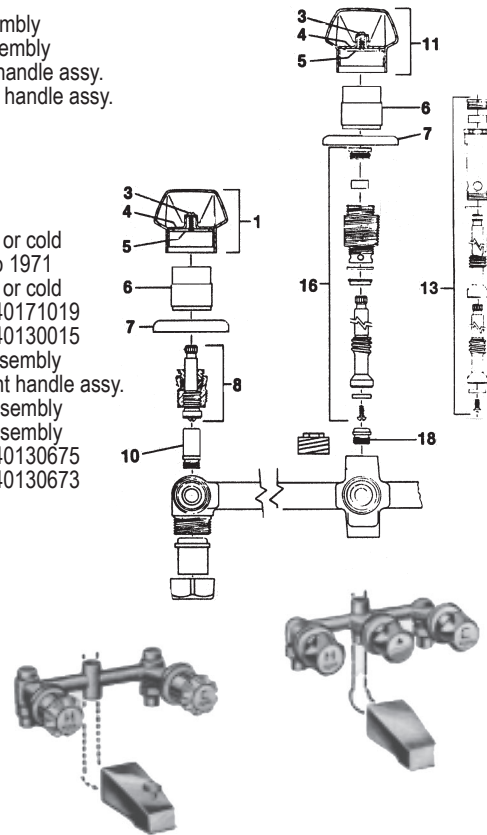
ELJER REGATA BATH & SHOWER FITTING

ITEM	PART #	DESCRIPTION
7	40130711	Translucent handle assy. H or C
	40130710	Translucent handle assy. Arrow
8	06890650	Handle assembly - hot or cold
	06890654	Handle assembly - arrow
9	40140152	Flange assembly
10	40130543	Diverter stem
12	40130538	Seat
13	40130019	Stem & bonnet assembly
17	NLA	Integral stop
18	NLA	Integral stop flange
20	06890560	Sleeve
21	40130697	Packing nut
22	40130108	Packing
23	40130630	Gasket
24	40130669	Gasket
25	40130542	Washer
26	40110119	Washer
27	50100020	Screw



ELJER ULTIMA BATH & SHOWER FITTING

ITEM	PART #	DESCRIPTION
1	40130632	Hot handle assembly
	06890618	Cold handle assembly
	40130544	Hot translucent handle assy.
	40130545	Cold translucent handle assy.
3	06890150	Handle screw
4	NLA	Adapter
5	06890522	Retainer
6	40130704	Sleeve
7	NLA	Flange
8	40171019	Stem assy. - hot or cold furnished 4/69 to 1971
	40130015	Stem assy. - hot or cold
10	40130117	Seat - use with 40171019
	40130546	Seat - use with 40130015
11	40130702	Arrow handle assembly
	40130547	Arrow translucent handle assy.
13	40130675	Diverter stem assembly
16	40130673	Diverter stem assembly
18	40130535	Seat - use with 40130675
	40130538	Seat - use with 40130673
22	06895953	Flange
24	40130631	Packing nut
25	40130629	Packing nut
26	40130108	Packing
27	40130630	Gasket
28	40130536	Gasket
29	40130697	Packing nut
30	40130698	Packing
31	40130707	Gasket
32	41720140	Gasket
33	40130542	Washer
34	40110119	Washer
35	50100020	Screw
36	40110162	Washer



**TOTAL
MAINTENANCE
SOLUTIONS**

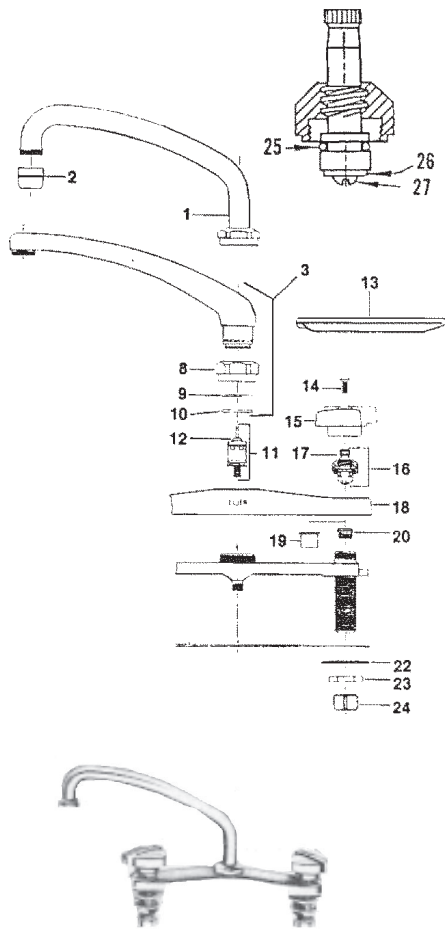
HOUSTON
800/392-5066

ORLANDO
800/327-3022

GREENVILLE
800/476-2212

LOOK FOR US ON THE WEB AT: www.TMSSouth.com

FAUCET REPAIR

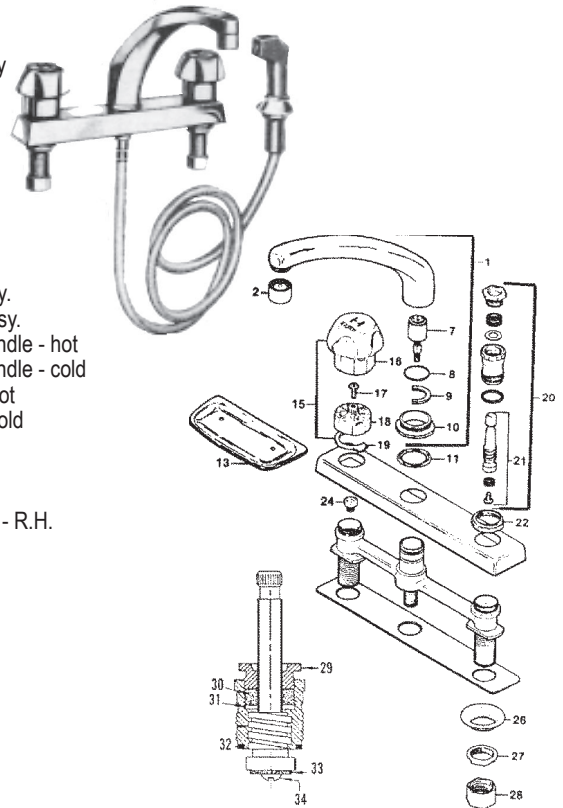


ELJER LUSTERLINE SINK FAUCET

ITEM	PART #	DESCRIPTION
1	40130708	Spout w/ aerator
2	40110130	Aerator
8	NLA	Spout nut
9	06895625	Snap ring
10	40950043	O-Ring
11	40130604	Lower diverter unit
12	40130603	Upper diverter unit
13	06894287	Soap dish
14	40130624	Screw
15	06895246	Cold handle
	06895248	Hot handle
16	40130548	Stem & bonnet - cold
	40130549	Stem & bonnet - hot
18		Cover
19	40130550	Sleeve
20	40130538	Seat
22	40800529	Washer
23	40800598	Locknut
24	40800454	Coupling nut
25	40950034	Stem o-ring
26	40110118	Seat washer
27	50100011	Screw

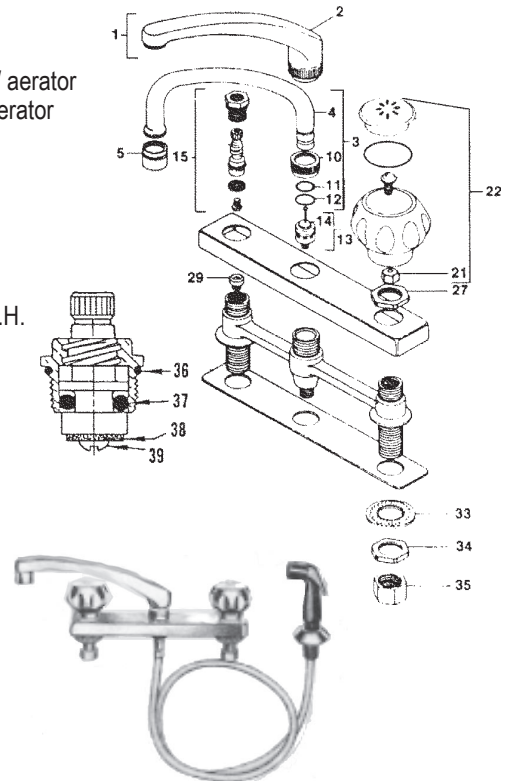
ELJER ULTIMA SINK FAUCET

ITEM	PART #	DESCRIPTION
1	06896647	Spout assembly w/ aerator
2	40110130	Aerator
7	45732010	Diverter
8	40950043	O-Ring
9	40130714	Lock ring
10	40130713	Nut
11	40130712	Washer
13	06894287	Soap dish
15	40130632	Hot handle assy.
	06890618	Cold handle assy.
	40130544	Translucent handle - hot
	40130545	Translucent handle - cold
16	06890630	Handle only - hot
	06890640	Handle only - cold
17	06890150	Handle screw
18	NLA	Adapter
19	40130634	Retainer
20	40130015	Stem & bonnet - R.H.
22		Locknut
24	40130535	Seat
26	40800529	Washer
27	40800598	Locknut
28	40800454	Coupling nut
29	40130629	Packing nut
30	40130108	Stem packing
31	40130630	Gasket
32	40130536	Gasket
33	40110119	Washer
34	50100020	Screw



ELJER REGATA SINK FAUCET

ITEM	PART #	DESCRIPTION
1	06897449	Spout assembly w/ aerator
4	40130701	Tubular spout w/ aerator
5	40110130	Aerator
10	06896804	Spout nut
11	40130706	Snap ring
12	40950025	O-Ring
13	40130603	Upper diverter
14	40130604	Lower diverter
15	40130551	Stem & bonnet - R.H.
21	06890610	Handle insert
22	06890650	Handle assembly (hot or cold)
27	06896937	Locknut
29	40130538	Seat
33	40800529	Washer
34	40140346	Locknut
35	40800454	Coupling nut
36	40950049	Bonnet o-ring
37	40950034	Stem o-ring
38	40110118	Seat washer
39	50100011	Screw



**TOTAL
MAINTENANCE
SOLUTIONS**

HOUSTON
800/392-5066

ORLANDO
800/327-3022

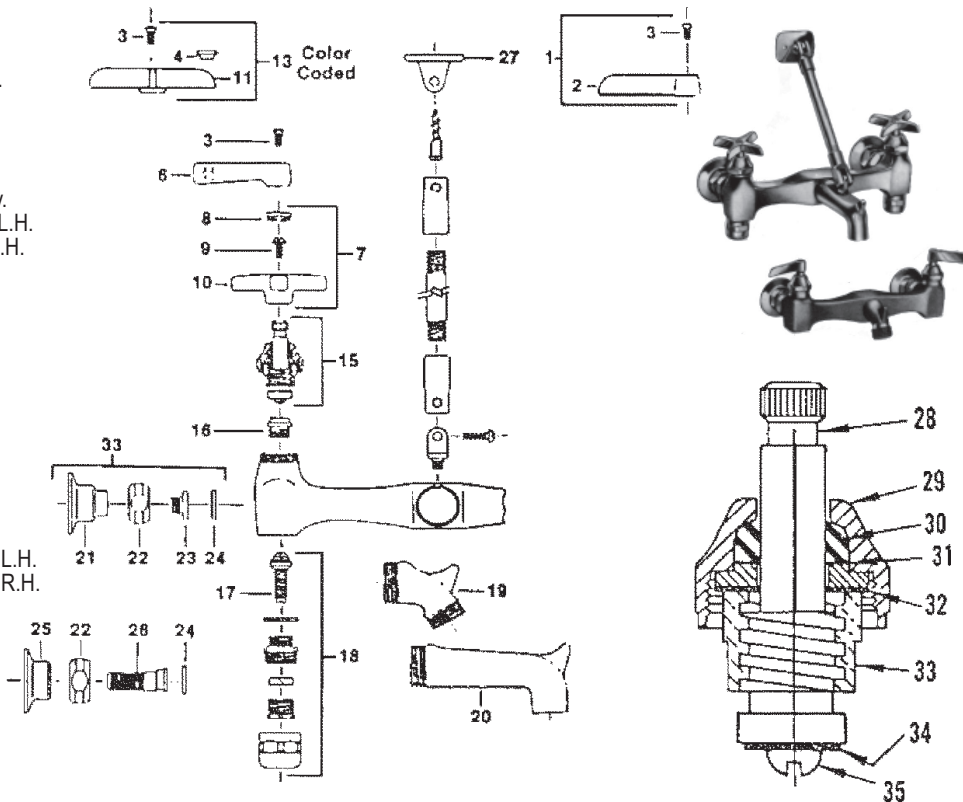
GREENVILLE
800/476-2212

LOOK FOR US ON THE WEB AT: www.TMSSouth.com

FAUCET REPAIR

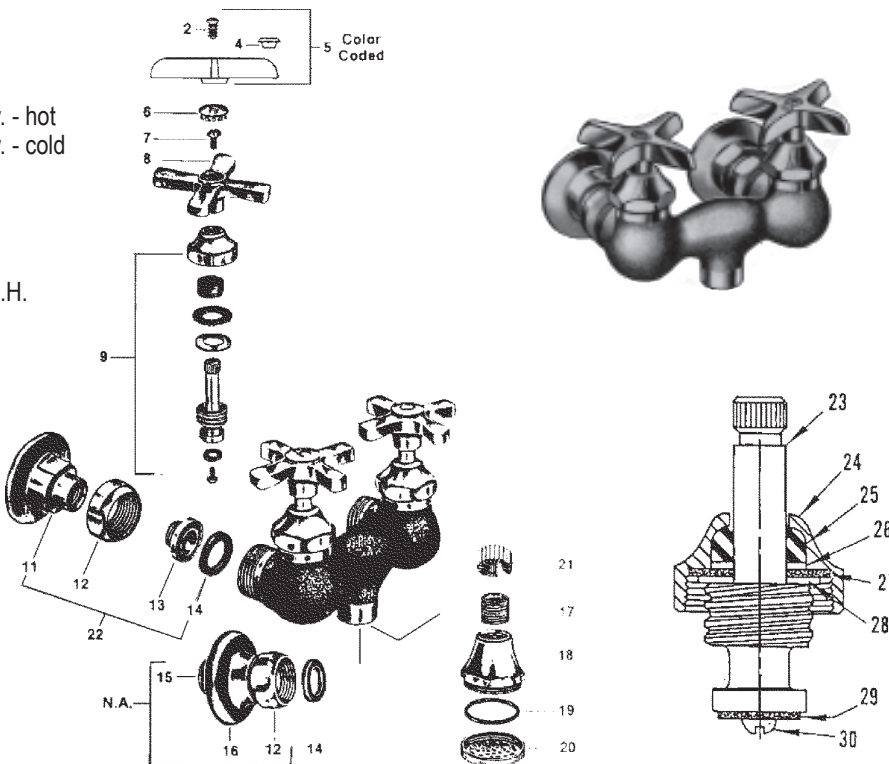
ELJER SERVICE SINK FAUCET

ITEM	PART #	DESCRIPTION
1	06890760	Hot lever handle Assy.
	40130552	Cold lever handle Assy.
3	40130624	Handle screw
6		Order item 1
10		Order item 13
13	40130622	Hot cross handle Assy.
	40130623	Cold cross handle Assy.
15	40130553	Stem & bonnet Assy. - L.H.
	40130554	Stem & bonnet Assy. R.H.
16	40130535	Seat
17		Stem
18		Integral stop unit
19	NLA	Spout
20	NLA	Spout
21		Inlet shank
22		Coupling nut
23		Spud
24	06893518	Gasket
25	NLA	Flange
26	NLA	Inlet shank
27		Wall bracket
28	40130676	Stem, washer & screw L.H.
	40130725	Stem, washer & screw R.H.
29	40130705	Bonnet
30	40130108	Packing
31	40130709	Gasket
32	40130070	Gasket
33	06892798	Bushing L.H.
	06892800	Bushing R.H.
34	40110119	Washer
35	50100020	Screw



ELJER DOUBLE SINK FAUCET

ITEM	PART #	DESCRIPTION
2	40130624	Screw
5	40130622	Cross arm handle Assy. - hot
	40130623	Cross arm handle Assy. - cold
6	40130527	Hot index button
	40130528	Cold index button
7	06890150	Handle screw
8	NLA	Order item 5
9	43251023	Stem & bonnet Assy. R.H.
11	NLA	Male shank
12	NLA	Coupling nut
13	NLA	Spud
14	06893518	Gasket
17		Nipple
18-20	06896456	Spray head assembly
21	06892861	Stream guide
22	NLA	Female shank Assy.
23	43251050	Stem - R.H.
24		Bonnet
25	40130630	Packing
26	06892803	Gasket
27	NLA	Washer
28	06894091	Washer (Obsolete)
29	40110119	Seat washer
30	50100020	Screw
	40130535	Seat - not shown



**TOTAL
MAINTENANCE
SOLUTIONS**

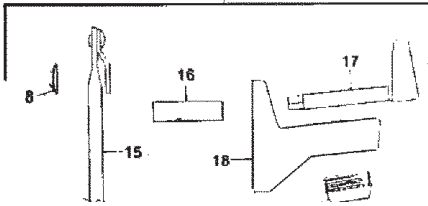
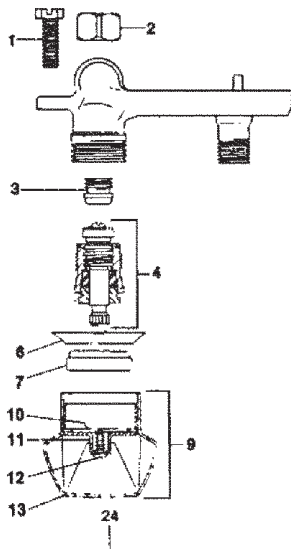
HOUSTON
800/392-5066

ORLANDO
800/327-3022

GREENVILLE
800/476-2212

LOOK FOR US ON THE WEB AT: www.TMSSouth.com

FAUCET REPAIR

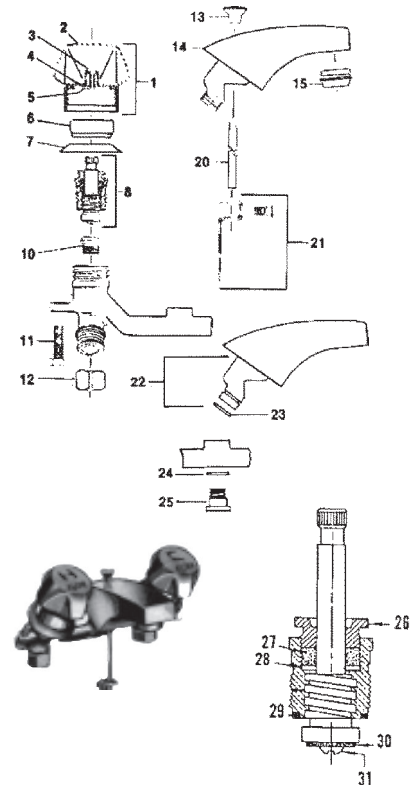


ELJER ULTIMA SHELF-BACK LAVATORY

ITEM	PART #	DESCRIPTION
1		Hex head screw
2	40800454	Coupling nut
3	40130535	Seat
4	40130014	Stem & bonnet assy. R.H.
6	40130627	Flange
7	40130699	Sleeve
8		Speed nut - see item 24
9	40130632 06890618	Hot handle assembly Cold handle assembly
10	40130634	Retainer
11	NLA	Adapter
12	06890150	Handle screw
13	06890630 06890640	Handle only - hot Handle only - cold
14	06896398	Lift rod bracket & screw
15-17		See item 24
18		Spout
19	40110130	Aerator
24	06890670	Lavatory waste handle assembly (Items 8, 15, 16 & 17)
26	40130629	Packing nut
27	40130108	Packing
28	40130630	Gasket
29	40130536	Gasket
30	40110119	Seat washer
31	50100020	Screw

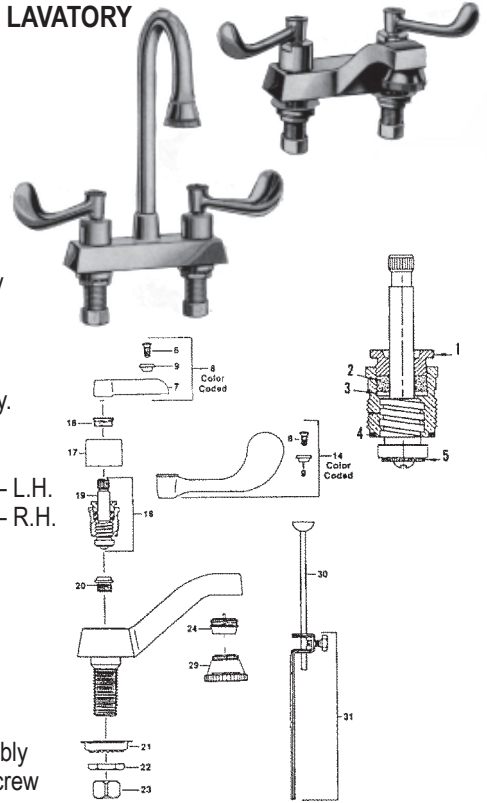
ELJER ULTIMA SLANT-BACK LAVATORY

ITEM	PART #	DESCRIPTION
1	40130632 06890618	Hot handle assembly Cold handle assembly
2	06890630 06890640	Handle only - hot Handle only - cold
3	06890150	Handle screw
4	40130700	Adapter
5	40130634	Retainer
6	40130699	Sleeve
7	40130627	Flange
8	40130015	Stem & bonnet assy. - R.H.
10	40130535	Seat
11		Cap screw
12	40800454	Coupling nut
13	06890740	Lift knob - see item 20
14		Spout
15	40110144	Aerator
20	40800869	Lift rod & knob
21	06896398	Lift rod extension
22		Spout
23		Spout o-ring
24		Gasket
25		Bushing
26	40130629	Packing nut
27	40130108	Packing
28	40130630	Gasket
29	40130536	Gasket
30	40110119	Seat washer
31	50100020	Screw



ELJER INSTITUTIONAL CENTERSET LAVATORY

ITEM	PART #	DESCRIPTION
1		Packing nut
2	40130108	Packing
3	40130630	Gasket
4	40130536	Gasket
5	40110119	Washer
6	40130624	Handle screw
8	06890760 40130552	Hot handle assembly Cold handle assembly
9	40160221 40160220	Blue index Red index
14	40130555 40130556	Hot wrist handle assy. Cold wrist handle assy.
16	06898286	Adapter
17	06898285	Escutcheon
18	40171036 40171019	Stem & bonnet assy. - L.H. Stem & bonnet assy. - R.H.
20	40130535 40130557	Seat - brass Seat - monel
21	40800529	Washer
22	40800598	Locknut
23	40800454	Coupling nut
24	40110144	Aerator
29	NLA	Spray head assembly
30	40800869	Lift knob & rod assembly
31	06896398	Lift rod extension & screw



TOTAL MAINTENANCE SOLUTIONS

HOUSTON
800/392-5066

ORLANDO
800/327-3022

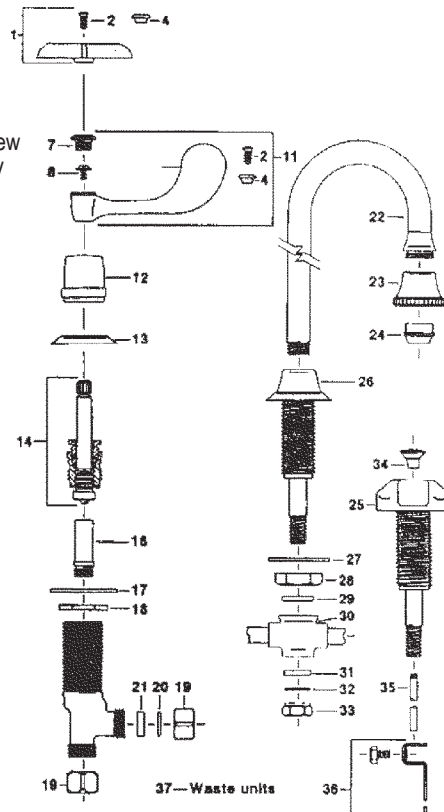
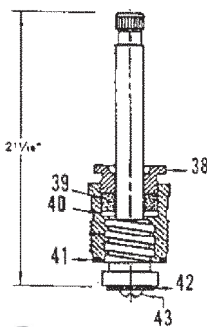
GREENVILLE
800/476-2212

LOOK FOR US ON THE WEB AT: www.TMSSouth.com

FAUCET REPAIR

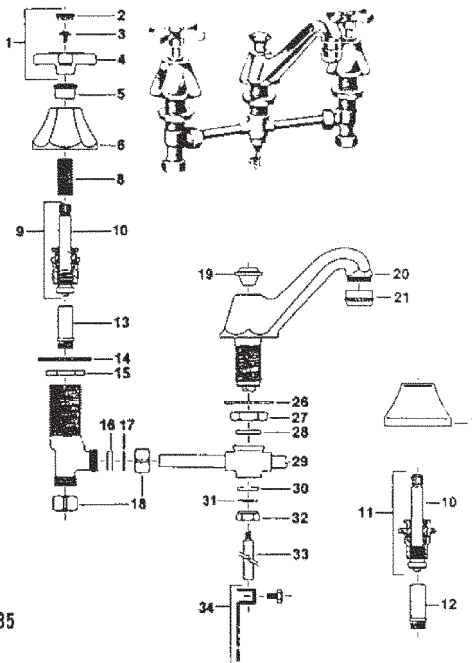
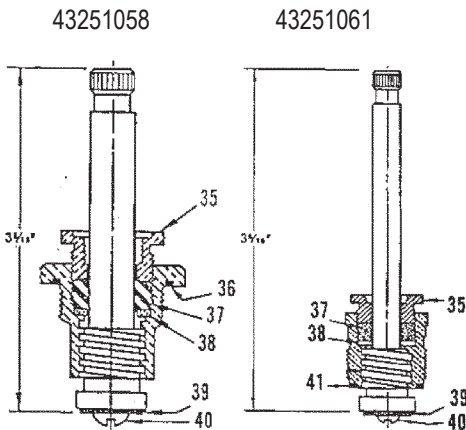
ELJER INSTITUTIONAL COMBINATION LAVATORY

ITEM	PART #	DESCRIPTION	ITEM	PART #	DESCRIPTION
1	40130622	Hot cross arm handle assy.	33		Locknut
	40130623	Cold cross arm handle assy.	34	06890740	Lift knob
2	40130624	Handle screw	35	40800869	Lift rod & knob assy.
3	40160221	Blue index	36	06896398	Lift rod extension & screw
	40160222	Red index	37	06898905	Pop-up waste assembly
7	NLA	Index cap	38	40130629	Packing nut
8	06890150	Washer head screw	39	40130108	Packing
11	40130625	Hot wrist handle assembly	40	40130630	Gasket
	40130626	Cold wrist handle assembly	41	40130536	Gasket
12	NLA	Escutcheon	42	40110119	Washer
13	40130627	CP flange	43	50100020	Screw
14	40171034	Stem & bonnet assy. - L.H.			
	40171035	Stem & bonnet assy. R.H.			
16	40130546	Seat			
17	06894298	Washer			
18	06890130	Locknut			
19	40800454	Coupling nut			
20	40130628	Friction ring			
21	40130069	Gasket			
22	06896662	Spout assy. - used with pop-up			
	06896663	Spout assy. - no pop-up			
23	06896454	Spray head assy.			
24	40110130	Aerator			
25		Body - for pop-up (order item 22)			
26		Order 06896663			
27	06891318	Washer			
28	06890330	Locknut			
29	40950029	O-Ring			
30		Tee assembly			
31		Gasket			
32		Washer			



ELJER INSTITUTIONAL COMBINATION LAVATORY

ITEM	PART #	DESCRIPTION	ITEM	PART #	DESCRIPTION
1	40130622	Hot cross handle assembly	34	06896398	Lift rod extension & screw
	40130623	Cold cross handle assembly			
2	40130527	Hot index	35	40130631	Packing nut
	40130528	Cold index	36	06892737	Gasket
3	06890150	Handle screw	37	40130108	Packing
5	06892790	Screw bushing	38	40130630	Gasket
6	NLA	Escutcheon	39	40110119	Washer
7	NLA	Flange	40	50100020	Screw
8		Nipple	41	40130536	Gasket
9	40130558	Stem & bonnet assy. - R.H. used after 1968			
11	40130559	Stem & bonnet assy. R.H. used prior to 1968			
12	40130117	Seat - prior to 1968			
13	40130546	Seat - after 1968			
14	06894298	Washer			
15	06892738	Locknut			
16	40130069	Gasket			
17	40130628	Friction ring			
18	40800454	Coupling nut			
19	40800869	Lift knob & rod assembly			
20		Spout			
21	40110130	Aerator			
26	06891318	Washer			
27	06890330	Locknut			
28	40950029	O-Ring			
29		Tee assembly			
30		Gasket			
31		Washer			
32		Locknut			
33		Part of item 19			



**TOTAL
MAINTENANCE
SOLUTIONS**

HOUSTON
800/392-5066

ORLANDO
800/327-3022

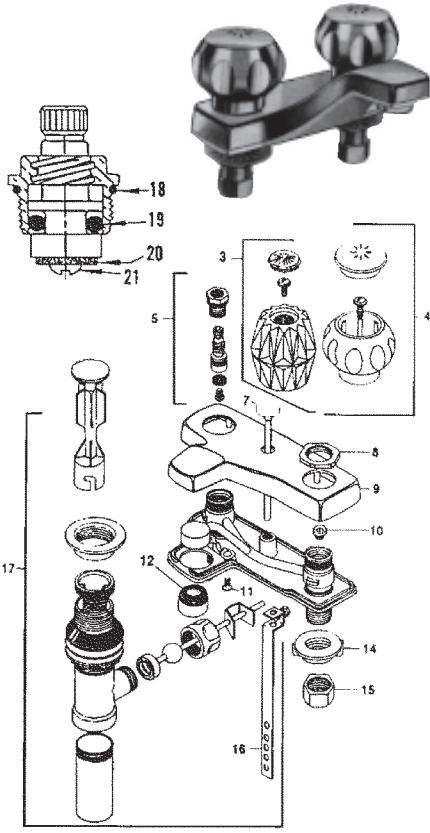
GREENVILLE
800/476-2212

LOOK FOR US ON THE WEB AT: www.TMSSouth.com

FAUCET REPAIR

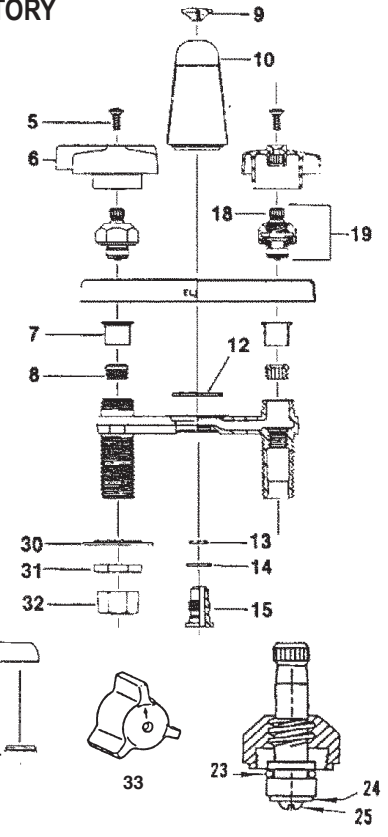
ELJER REGATA CENTERSET LAVATORY

ITEM	PART #	DESCRIPTION
3	40130560	Translucent handle assy. - hot or cold with 12 point broach
4	06890650	Handle assembly - hot or cold 16 point broach
	06897408	Handle assembly - hot or cold 12 point broach
5	40130551	Stem & bonnet assembly brass with 16 point broach
	43251083	Stem & bonnet (12 point broach)
7	40800869	Pop-up rod
8	06896937	Locknut
9		Cover
10	40130538	Seat
11		Screw
12	40110144	Aerator
14	40140346	Locknut
15	40800454	Coupling nut
16	06896398	Lift rod extension & screw
17	06898905	Pop-up assembly
18	40950049	Bonnet o-ring
19	40950034	Stem o-ring
20	40110118	Seat washer
21	50100011	Screw



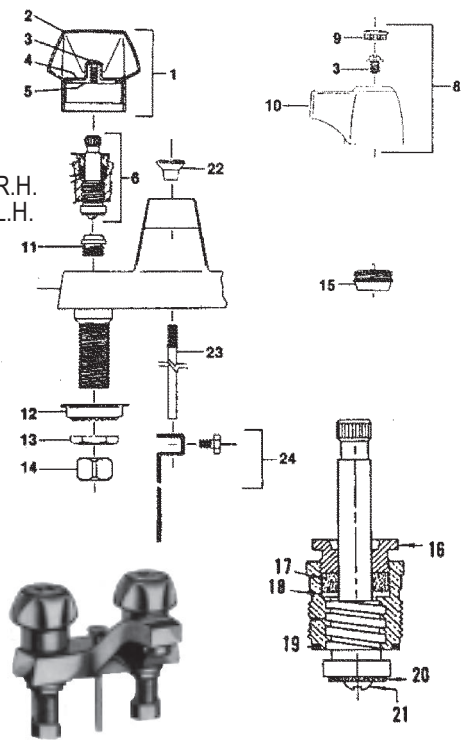
ELJER LUSTERLINE CENTERSET LAVATORY

ITEM	PART #	DESCRIPTION
5	40130624	Handle screw
6	06895248	Hot handle
	06895246	Cold handle
7	40130550	Sleeve
8	40130538	Seat
9	40800869	Knob & rod assembly
10		Spout
12	06890320	Gasket
13	40950022	O-Ring
14	NLA	O-Ring
15	NLA	Bushing
19	40130548	Stem & bonnet L.H.
	40130549	Stem & bonnet R.H.
20	NLA	Bushing
21	40110144	Aerator
23	40950034	Stem o-ring
24	40110118	Seat washer
25	50100011	Screw
30	40800529	Washer
31	40800598	Locknut
32	40800454	Coupling nut
33	06890570	Handle (hot)
	06890580	Handle (cold)



ELJER LIFETIME & ULTIMA CENTERSET LAVATORY

ITEM	PART #	DESCRIPTION
1	40130632	Hot handle assembly
	06890618	Cold handle assembly
2	06890630	Handle only - hot
	06890640	Handle only - cold
3	06890150	Handle screw
4	NLA	Adapter
5	40130634	Retainer
6	40130014	Stem & bonnet assy. - R.H.
	40130015	Stem & bonnet assy. - L.H.
8	40130561	Hot handle assembly
	40130562	Cold handle assembly
9	40130527	Hot index
	40130528	Cold index
11	40130535	Seat
12	40800529	Washer
13	40800598	Locknut
14	40800454	Coupling nut
15	40110144	Aerator
16	40130629	Packing nut
17	40130108	Packing
18	40130630	Gasket
19	40130536	Gasket
20	40110119	Seat washer
21	50100020	Screw
22		Lift knob - see item 23
23	40800869	Lift rod & knob



HOUSTON
800/392-5066

ORLANDO
800/327-3022

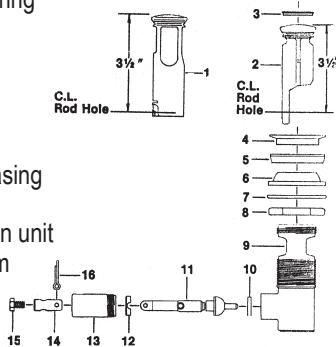
GREENVILLE
800/476-2212

LOOK FOR US ON THE WEB AT: www.TMSSouth.com

FAUCET REPAIR

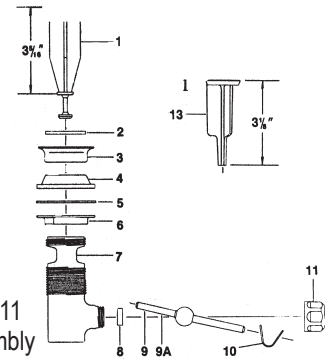
ELJER LIFETIME & LUXURY LAVATORY WASTE

ITEM	PART #	DESCRIPTION
1	NLA	Stopper - use item 2
2	06890370	Stopper w/o-ring
3	40950040	Stopper o-ring
4	NLA	Nut
5	06895698	Gasket
6	06891046	Gasket
7	NLA	Washer
8	06895683	Locknut
9	NLA	Stopper casing
10	40130635	Gasket
11	06890350	Snap action unit
12	06890230	Rocker arm
13	06893900	Socket
14	NLA	Clamp
15	06895735	Screw
16		Cotter pin



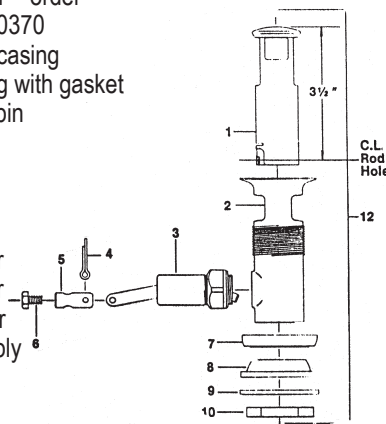
ELJER LUSTERLINE LAVATORY WASTE

ITEM	PART #	DESCRIPTION
1	06896499	Stopper
2	NLA	Gasket
3	NLA	Flange
4	06891046	Gasket
5	NLA	Washer
6	NLA	Locknut
7		Waste casing
8	40160145	Gasket
9	21940190	Ball rod
10	40130240	Clip
11		Cap - order 8-11
8-11	40130637	Ball rod assembly
13	NLA	Stopper - not interchangeable with item 1



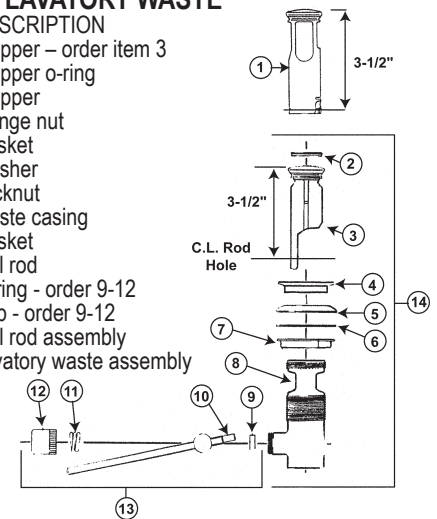
ELJER LIFETIME LAVATORY WASTE

ITEM	PART #	DESCRIPTION
1	NLA	Stopper - order # 06890370
2	NLA	Waste casing
3	40130636	Bushing with gasket
4		Cotter pin
5	NLA	Clamp
6	06895735	Screw
7	06895698	Gasket
8	06891046	Gasket
9	NLA	Washer
10	NLA	Washer
12	NLA	Stopper assembly



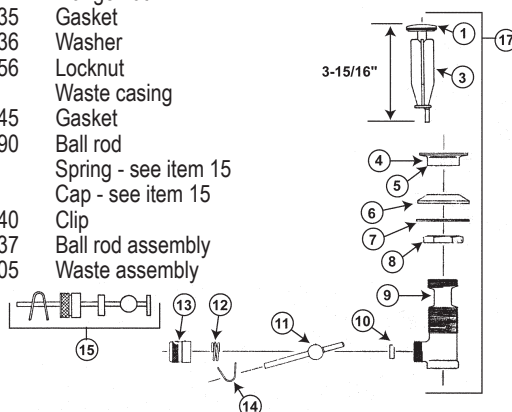
ELJER LUSTERLINE LAVATORY WASTE

ITEM	PART #	DESCRIPTION
1	NLA	Stopper - order item 3
2	40950040	Stopper o-ring
3	06890370	Stopper
4	06895310	Flange nut
5	NLA	Gasket
6	NLA	Washer
7	NLA	Locknut
8	NLA	Waste casing
9	40160145	Gasket
10	21940190	Ball rod
11	NLA	Spring - order 9-12
12		Cap - order 9-12
9-12	40130637	Ball rod assembly
14	06898905	Lavatory waste assembly



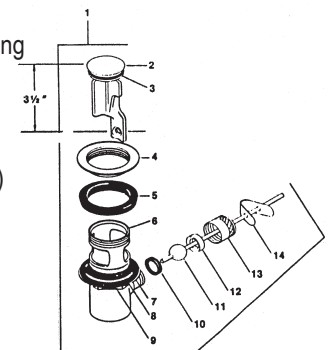
ELJER ULTIMA & DECORA LAVATORY WASTE

ITEM	PART #	DESCRIPTION
1	40950064	Stopper o-ring
3	06890600	Stopper
4		Flange nut
6	06896835	Gasket
7	06896836	Washer
8	06896856	Locknut
9		Waste casing
10	40160145	Gasket
11	21940190	Ball rod
12	NLA	Spring - see item 15
13	NLA	Cap - see item 15
14	40130240	Clip
15	40130637	Ball rod assembly
17	06898905	Waste assembly



ELJER LAVATORY WASTE NON-REMOVABLE STOPPER

ITEM	PART #	DESCRIPTION
1	06898575	Pop-up waste assembly
2	06894640	Stopper - CP
3	40950040	O-Ring
4	06895310	Flange nut
5	06895698	Gasket
6	NLA	Stopper casing
7	06891046	Gasket
8	NLA	Washer
9	06895683	Locknut
10	40130635	Gasket
11	06896770	Ball rod (11")
12	40160145	Gasket
13	NLA	Cap
14	40130240	Clip



TOTAL MAINTENANCE SOLUTIONS

HOUSTON
800/392-5066

ORLANDO
800/327-3022

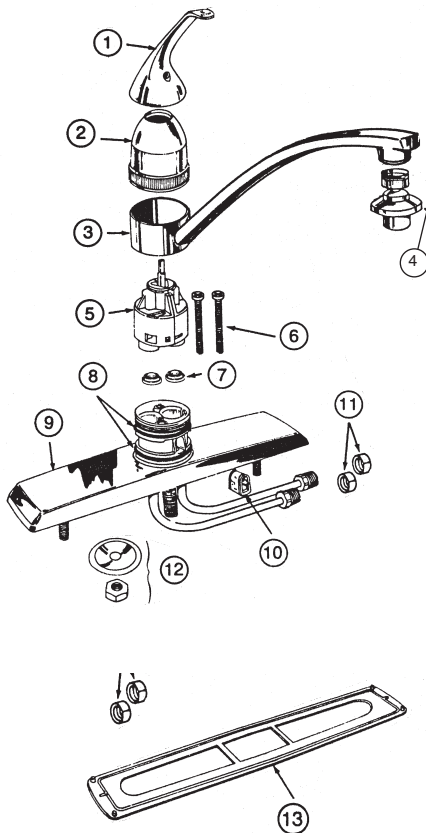
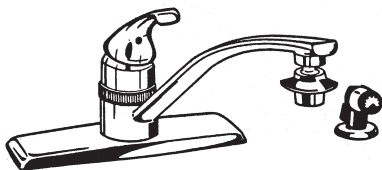
GREENVILLE
800/476-2212

LOOK FOR US ON THE WEB AT: www.TMSSouth.com

FAUCET REPAIR

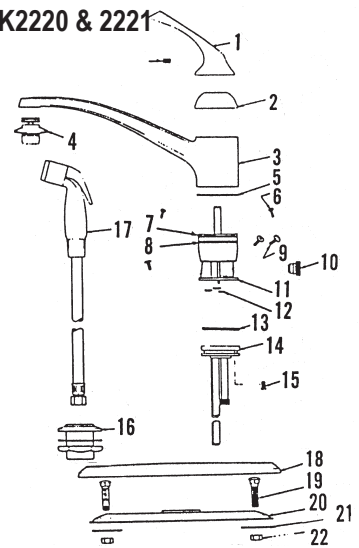
ELKAY SINGLE LEVER KITCHEN FAUCET - LK4300 & 4301

ITEM	PART #	DESCRIPTION
1	40130563	Handle assembly
2	40130564	Dome
3	40130565	Spout
4	40130572	Aerator
5	40130055	Cartridge
6	40130566	Cartridge screw
7	28260360	Diaphragms
8	40130653	O-ring
9	40130567	Escutcheon
10	40130568	Diverter
11	40130569	Coupling nut
12	40130570	Mounting hardware
13	40130571	Gasket
14	40130680	Hose guide assembly - A51493
15	40110165	Hose & spray head assembly



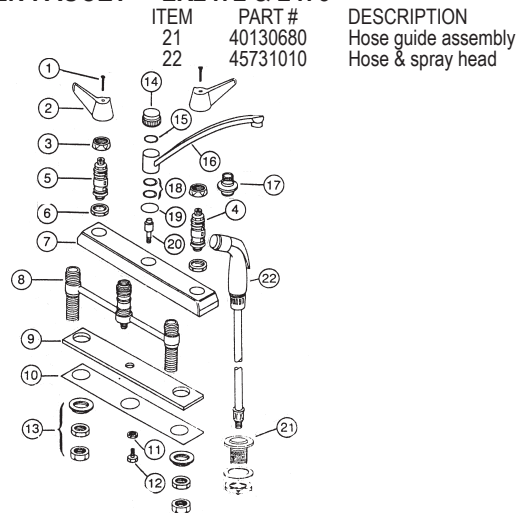
ELKAY SINGLE LEVER KITCHEN FAUCET - LK2220 & 2221

ITEM	PART #	DESCRIPTION
1	40130651	Handle & set screw
2	40130655	Dome
3	28260582	Spout
4	40130572	Swivel aerator
5	28260570	Wear ring
6	28260806	Self tapping screw
7	28260900	O-ring
8	28260902	Quad ring
9	28260776	Screws
10	40130652	Diverter
11	28260145	Cartridge - NLA
12	28260800	O-ring
13	28260802	Quad ring
14		Base assembly
15	28260808	Screw
16	40130680	Hose guide assembly
17	40110165	Hose & spray head
18		Body
19		Carriage bolts
20		Base plate
21	40800529	Washer
22	40800454	Coupling nut



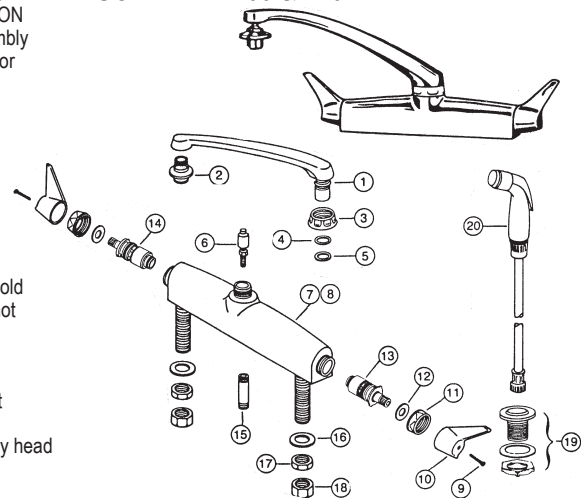
ELKAY TWO HANDLE KITCHEN FAUCET - LK2472 & 2473

ITEM	PART #	DESCRIPTION
1	40130654	Handle screw
2	40130658	Handle
3	28260844	Cap nut
4	40130023	Cartridge - cold
5	40130022	Cartridge - hot
6	28260844	Locknut
7	28261036	Escutcheon
8		Body
9		Base plate
10		Gasket
11	28260968	Nut
12	28261286	Hex plug
13	40800529	Washer
	40800598	Locknut
	40800454	Coupling nut
14	28260630	Spout nut
15	28260886	O-ring
16	28261482	Spout
17	40130572	Swivel aerator
18	40950032	O-ring
19	28260628	Wear ring
20	40130681	Diverter



ELKAY TWO HANDLE KITCHEN FAUCET - LK2200 & 2201

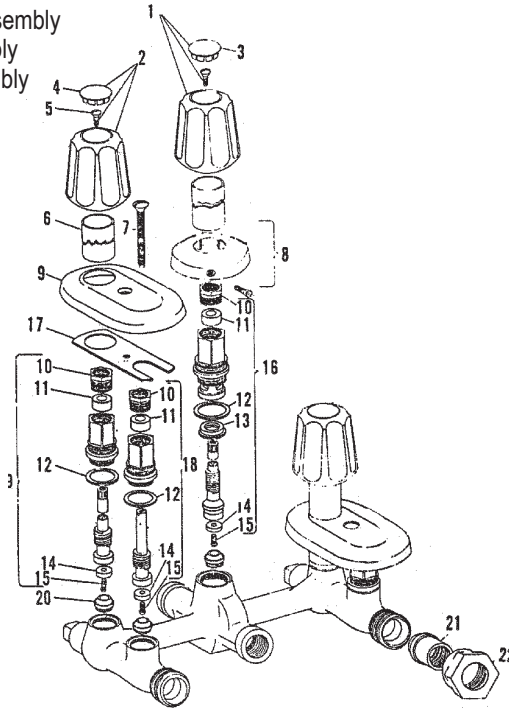
ITEM	PART #	DESCRIPTION
1	40130656	Spout assembly
2	40130572	Swivel aerator
3	40130650	Spout nut
4	40130573	Lock ring
5	28260150	O-ring
6	45732020	Diverter
7/8		Body
9	40130654	Screw
10	40130575	Handle
11	40130657	Cap nut
12	40130576	Washer
13	40130025	Cartridge - cold
14	40130035	Cartridge - hot
15		Nipple
16	40800529	Washer
17	40800598	Locknut
18	40800454	Coupling nut
19	40130680	Hose guide
20	40110165	Hose & spray head



FAUCET REPAIR

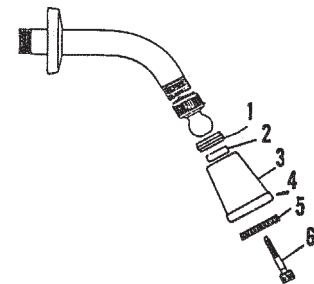
GERBER 8" TUB & SHOWER VALVE W/ INTEGRAL STOPS

ITEM	PART #	DESCRIPTION
1	40130165	Diverter handle assembly
2	40130167	Hot handle assembly
	40130166	Cold handle assembly
3	40130577	Arrow index
4	40130120	Hot index
	40130121	Cold index
5	40130155	Handle screw
6	40130129	Sleeve
7	40130578	Screw
8	40130130	Escutcheon assy.
9	40130579	Escutcheon
10	40130580	Packing nut
11	40130170	Packing
12	40130640	Bonnet gasket
13	40130581	Diverter washer
14	40110163	Seat washer
15	50100010	Screw
16	40170027	Diverter stem assembly
17	40130582	Plate
18	07291129	Stop stem assy.
19	40170001	Hot & cold stem assembly
20	40130123	Seat
21	40130583	Coupling
22	40130584	Coupling nut



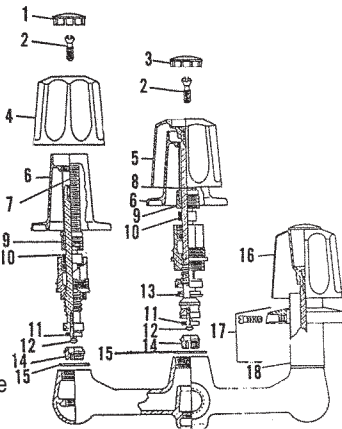
GERBER SHOWER HEAD PARTS

ITEM	PART #	DESCRIPTION
1		Lock ring
2	40130585	Washer
3	40130586	Shower head sleeve
4	40130587	Shower head body
5	07290670	Face plate
6	07290630	Screw (limited supplies)
	40130588	Ball joint adapter - adapts arm to accept 1/2" female nut (not shown)



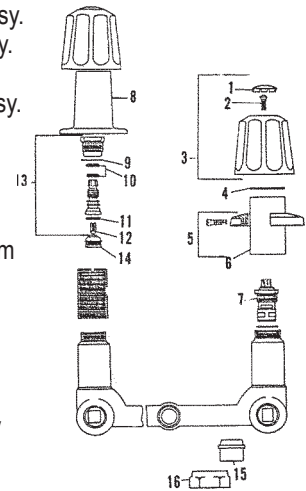
GERBER 8" & 11" TUB & SHOWER VALVE

ITEM	PART #	DESCRIPTION	ITEM	PART #	DESCRIPTION
1	40130120	Hot index	17	40130130	Escutcheon assembly
	40130121	Cold index	18	40130129	Sleeve
2	40130155	Screw		40130113	Rebuild kit (sleeve style escutcheon)
3	40130577	Arrow index		40130128	Rebuild kit (flange style escutcheon)
4	40130589	Hot handle assy.		40170002	"Original" Gerber Stem
	40130590	Cold handle assy.		07297603	PVC Conversion Kit
5	40130591	Arrow handle assy.			
6	40130592	Threaded escutcheon			
7	40130593	Nipple			
8	40130594	Nipple - diverter			
9	40130580	Packing nut			
10	40130170	Packing			
11	40110163	Seat washer			
12	50100010	Screw			
9-12	40170001	Hot or cold stem assy.			
13	40130581	Diverter washer			
9-13	40170027	Diverter stem assy.			
14	40130123	Seat			
15	40130640	Washer			
16	40130167	Hot handle assy.			
	40130166	Cold handle assy.			
	40130165	Diverter handle assy.			



GERBER 8" EXTENDED BODY TUB & SHOWER VALVE

ITEM	PART #	DESCRIPTION
1	40130121	Cold index
	40130120	Hot index
2	40130155	Handle screw
3	40130166	Cold handle assy.
	40130167	Hot handle assy.
4	07290489	Locknut
5	40130130	Escutcheon assy.
6	40130129	Sleeve
7	40130027	Washerless stem unit
	07290330	Seal for washerless stem
8	40130592	Escutcheon
9	40130605	Bonnet washer
10	40950022	O-Ring
11	40110163	Washer
12	50100010	Screw
13	40130026	Stem assembly
14	42000472	Seat
15	40130583	Coupling
16	40130584	Coupling nut
	40170002	"Original" Gerber stem



**TOTAL
MAINTENANCE
SOLUTIONS**

HOUSTON
800/392-5066

ORLANDO
800/327-3022

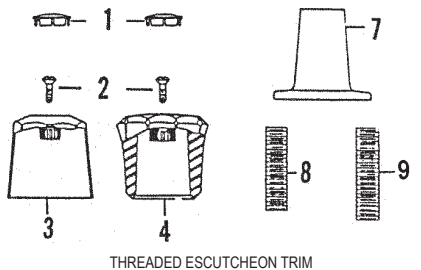
GREENVILLE
800/476-2212

LOOK FOR US ON THE WEB AT: www.TMSSouth.com

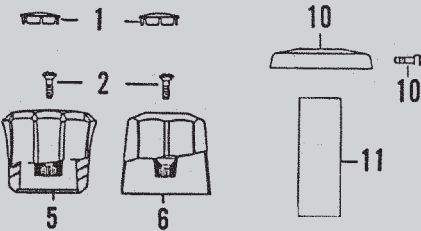
FAUCET REPAIR

TRIM FOR GERBER TUB & SHOWER VALVES

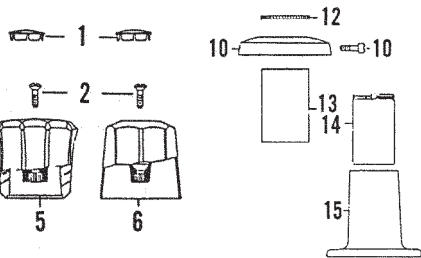
ITEM	PART #	DESCRIPTION
1	40130120	Hot index
	40130121	Cold index
	40130577	Arrow index
2	40130155	Handle screw
3	40130589	Hot metal handle assy.
	40130590	Cold metal handle assy.
	40130591	Arrow metal handle assembly
4	40130595	Hot Crystalite handle assy.
	40130596	Cold Crystalite handle assy.
	40130597	Diverter handle assy.
5	40130598	Hot Crystalite handle assy.
	40130599	Cold Crystalite handle assy.
	40130600	Arrow Crystalite handle assembly
6	40130167	Hot metal handle assy.
	40130166	Cold metal handle assy.
	40130165	Arrow metal handle assy.
7	40130592	Threaded escutcheon
8	40130594	Nipple for diverter
9	40130593	Nipple for h/c
10	40130130	Escutcheon assembly
11	40130129	Sleeve
12	07290489	Locknut
13	07290488	Sleeve
14		Threaded nipple
15	07290232	Escutcheon



THREADED ESCUTCHEON TRIM



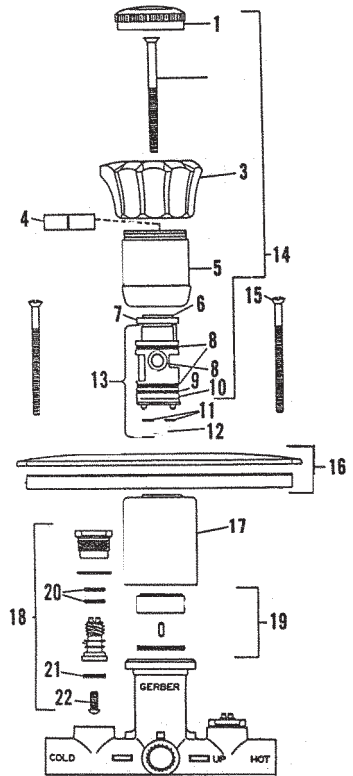
SLIDING ESCUTCHEON TRIM



TWO VALVE EXTENDED BODY FITTINGS

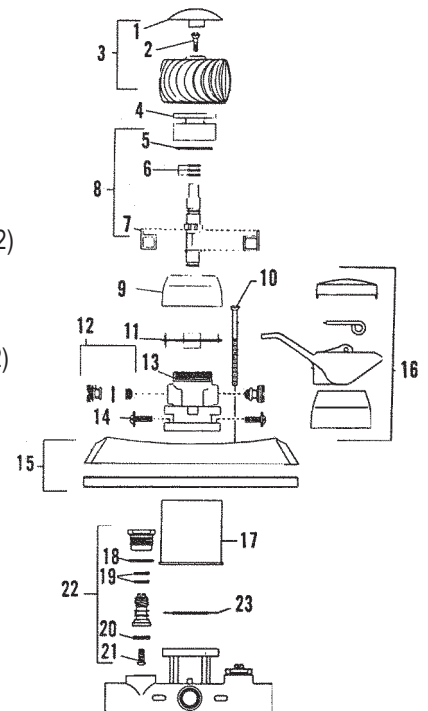
GERBER EASY-MIX TUB & SHOWER VALVE (PRIOR TO 11/82)

ITEM	PART #	DESCRIPTION
1	40130638	Cap
2	07290190	Screw
3	40130639	Handle
4	NLA	Inside cam
5	NLA	External body
6	07290210	Pivot
7	07290220	Stop key
8	07290860	Repair kit (4 o-rings)
9	NLA	Wiper seal
10	NLA	Internal body
11-12	07290870	Repair kit
13	40130646	Internal body w/seals
14	07290858	Handle assy. less item 2 & 3
15	07290178	Screw
16	07290892	Escutcheon w/seal
17		Sleeve
18	07291198	Stop stem assembly
19	07290920	Mounting pad assy.
20	40950022	O-Ring
21	40110163	Washer
22	50100010	Screw



GERBER EASY-MIX TUB & SHOWER VALVE (SINCE 11/82)

ITEM	PART #	DESCRIPTION
1	07290222	Snap-in button
2	40130155	Screw
3	07291120	Handle assembly
4	07290694	Bonnet
5	40950068	Bonnet o-ring
6	40950021	Stem o-ring
7	07290700	Cage
8	40130152	Repair kit (includes item 12)
9	07290702	Sleeve escutcheon
10	07290178	Screw
11	07290707	Washer retainer
12		Grommet (order 40130152)
13	NLA	Body
14		Screw (SEMS)
15	07290856	Escutcheon
16	07291132	Lever handle assembly
17		Sleeve
18	40130605	Washer
19	40950022	O-Ring
20	40110163	Washer
21	50100010	Screw
22	07291198	Stop stem assembly
23		Seal



**TOTAL
MAINTENANCE
SOLUTIONS**

HOUSTON
800/392-5066

ORLANDO
800/327-3022

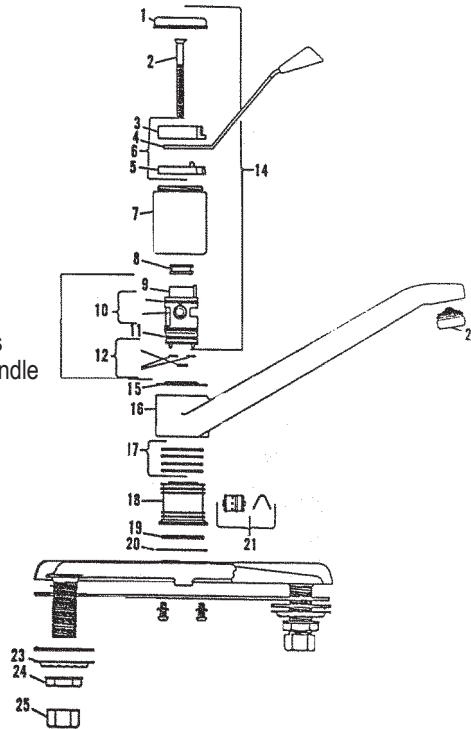
GREENVILLE
800/476-2212

LOOK FOR US ON THE WEB AT: www.TMSSouth.com

FAUCET REPAIR

GERBER EASY-MIX SINK FAUCET (PRIOR TO 11/81)

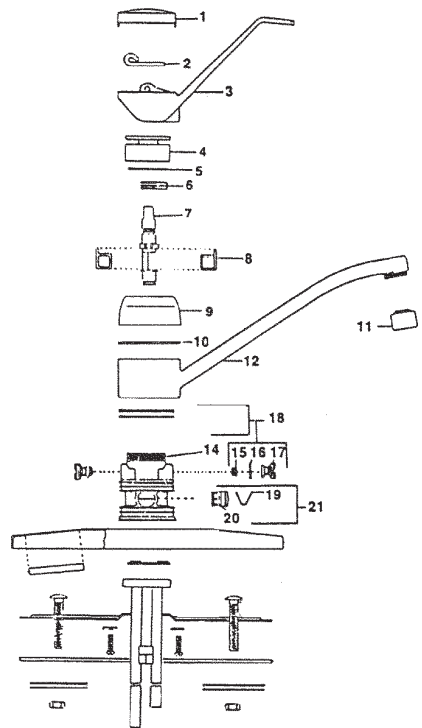
ITEM	PART #	DESCRIPTION
1	40130647	Cap
2	40130715	Unit screw
3	NLA	Upper insert
4	NLA	Handle
5	NLA	Lower insert
6	40130645	Handle assembly (1)
7	NLA	External body
8	07290210	Pivot
9	NLA	Internal body
10	07290860	Repair kit
11	NLA	Wiper seal
12	07290870	Repair kit
13	40130646	Internal body w/ seals
14	NLA	Body assembly w/ handle
15	07290140	Spout retainer
16		Spout
17	07290880	O-Ring kit
18		Spout adapter
19	07290160	Gasket
20	07290170	Washer
21	07290890	Diverter assembly
22	40110144	Aerator
23	40800529	Washer
24	51000048	Locknut
25	40800454	Coupling nut



(1) Limited supply available

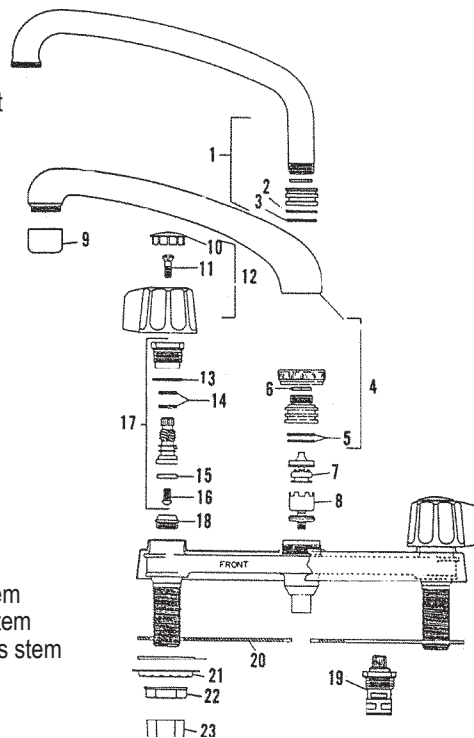
GERBER EASY-MIX SINK FAUCET (SINCE 11/81)

ITEM	PART #	DESCRIPTION
1-3	07291130	Handle assembly
4	07290694	Bonnet
5	40950068	Bonnet o-ring *
6	40950021	Stem o-ring *
7	*	Stem
8	07290700	Cage
9	07290702	Sleeve escutcheon
10		Friction washer
11	40110130	Aerator
12	07291085	Spout assembly
14		Body
15-17	*	Order 40130601
18	*	Order 40130601
21	07290890	Diverter assembly
*	40130601	Repair kit - items 5-8 & 18



GERBER TWO-HANDLE SINK FAUCET

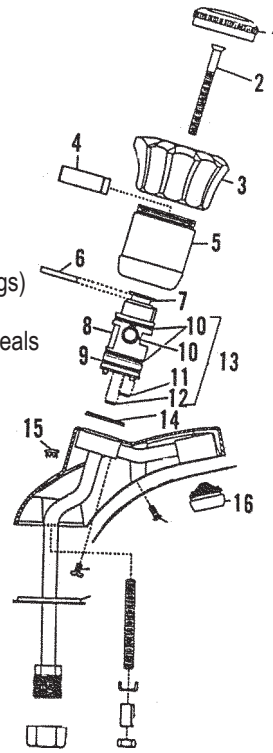
ITEM	PART #	DESCRIPTION
1	40130649	8" tube spout
2	40950052	Spout o-ring
3	40950029	Spout o-ring
4	40130602	8" cast brass spout
5	40950029	Spout o-ring
6	40950035	Spout o-ring
7	40130603	Upper diverter unit
8	40130604	Lower diverter unit
9	40110130	Aerator
10	40130120	Hot index
	40130121	Cold index
11	40130155	Screw
12	40130030	Hot handle assy.
	40130031	Cold handle assy.
13	40130605	Washer
14	40950022	O-Ring
15	40110163	Washer
16	50100010	Screw
17	40130026	Hot stem assy.
	40130034	Cold stem assy.
18	40130123	Seat
19	40130027	Hot washerless stem
	40130029	Cold washerless stem
	07290330	Seal for washerless stem
20	07290680	Putty plate
21	40800529	Washer
22	51000048	Locknut
23	40800454	Coupling nut



FAUCET REPAIR

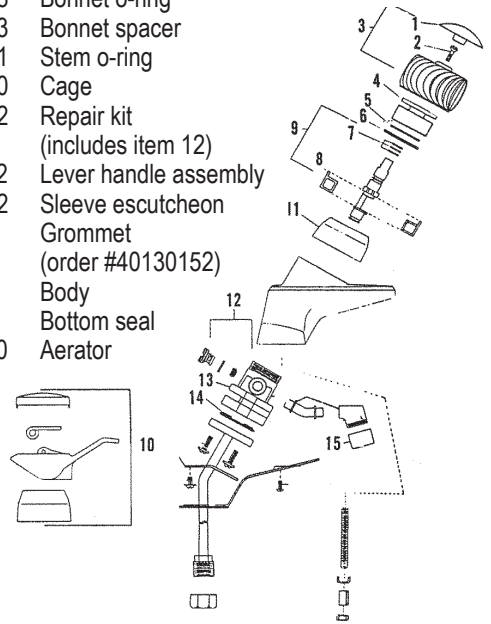
GERBER EASY-MIX SINGLE HANDLE (PRIOR TO 9/82)

ITEM	PART #	DESCRIPTION
1	40130638	Cap
2	40130715	Unit screw
3	40130639	Handle
4	NLA	Inside cam
5	NLA	External body
6	NLA	Stop key
7	NLA	Pivot
8	NLA	Internal body
9	NLA	Wiper seal
10	07290860	Repair kit (4 o-rings)
11-12	07290870	Repair kit
13	40130646	Internal body w/ seals
14	NLA	Shield ring
15		Button
16	40110144	Aerator



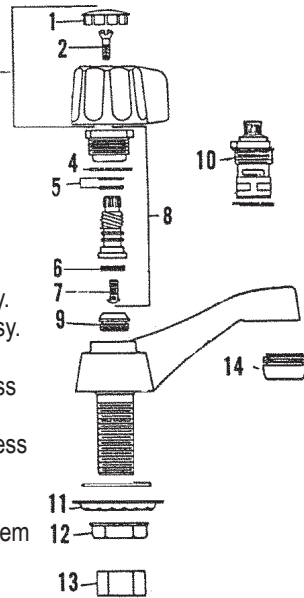
GERBER EASY-MIX SINGLE HANDLE (SINCE 9/82)

ITEM	PART #	DESCRIPTION
1	07290222	Snap-in button
2	40130155	Screw
3	07291120	Handle assembly
4	07290694	Bonnet
5	40950068	Bonnet o-ring
6	07290223	Bonnet spacer
7	40950021	Stem o-ring
8	07290700	Cage
9	40130152	Repair kit (includes item 12)
10	07291132	Lever handle assembly
11	07290702	Sleeve escutcheon
12		Grommet (order #40130152)
13	NLA	Body
14		Bottom seal
15	40110130	Aerator



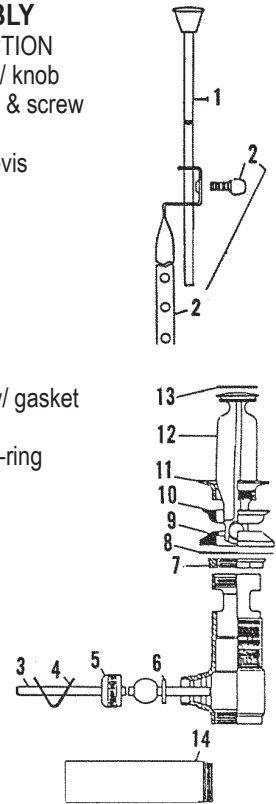
GERBER 4" CENTERSET LAVATORY FITTING

ITEM	PART #	DESCRIPTION
1	40130120	Hot index
	40130121	Cold index
2	40130155	Screw
3	40130030	Hot handle assy.
	40130031	Cold handle assy.
4	40130605	Washer
5	40950022	O-Ring
6	40110163	Washer
7	50100010	Screw
8	40130026	Hot stem assy.
	40130034	Cold stem assy.
9	40130123	Seat
10	40130027	Hot washerless stem
	40130029	Cold washerless stem
	07290330	Seal for washerless stem
11	40800529	Washer
12	51000048	Locknut
13	40800454	Coupling nut
14	40110144	Aerator



GERBER POP-UP ASSEMBLY

ITEM	PART #	DESCRIPTION
1	40992123	Pull rod w/ knob
2	40130648	Extension & screw
3	40130607	Ball rod
4	40130608	Spring clevis
5	40130609	Nut
6	40130610	Washer
7		Locknut
8	40130611	Washer
9	40130612	Washer
10	07290450	Gasket
11	07290360	Flange
12-13	40130613	Stopper w/ gasket
14	50552293	Tailpiece
15	40950055	Stopper o-ring



**TOTAL
MAINTENANCE
SOLUTIONS**

HOUSTON
800/392-5066

ORLANDO
800/327-3022

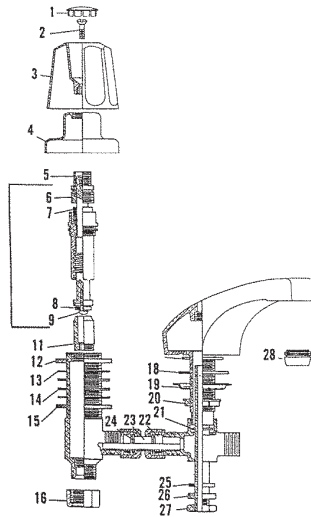
GREENVILLE
800/476-2212

LOOK FOR US ON THE WEB AT: www.TMSSouth.com

FAUCET REPAIR

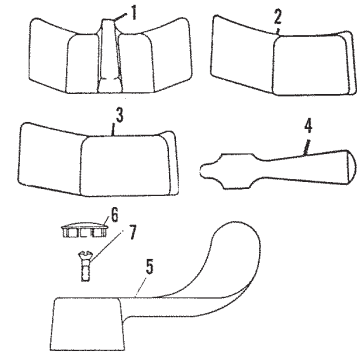
GERBER WIDESPREAD LAVATORY FITTING (PRIOR TO 11/78)

ITEM	PART#	DESCRIPTION
1	40130120	Hot index
	40130121	Cold index
2	40130155	Screw
3	40130167	Hot handle assy.
	40130166	Cold handle assy.
4	40130642	Escutcheon
5	07290110	Nipple
6	40130580	Packing nut
7	40130170	Packing
8	40110163	Washer
9	50100010	Screw
10	43291042	Stem assembly
11	42000474	Seat
12		Brass locknut
13		Brass follower
14		Washer
15		Locknut
16	40800454	Coupling nut
17		Washer
18		Washer
19	40800529	Washer
20	51000048	Locknut
21	07290487	Washer
22	40130641	Cone washer
23	07290472	Tube
24		Friction washer
25		Washer
26		Retainer
27		Jam nut
28	40110144	Aerator



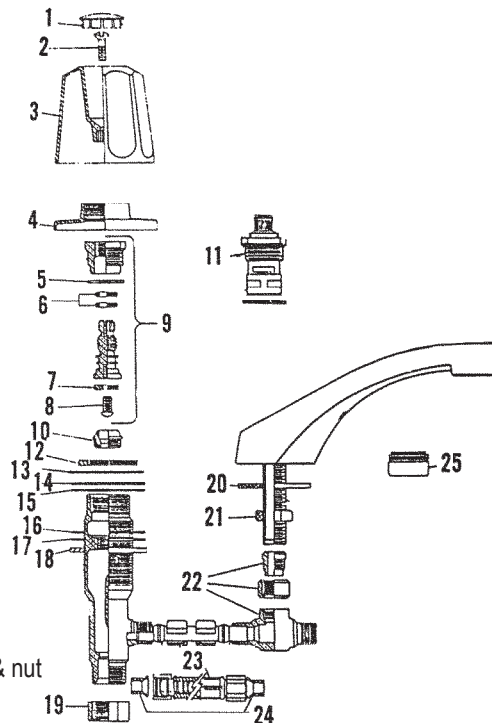
GERBER CHROME PLATED METAL HANDLES

ITEM	PART #	DESCRIPTION
1	40130616	Hot handle - old style bath & shower
	40130617	Cold handle
2	40130618	Hot handle - old style lavatory
	40130619	Cold handle
3	40130643	Hot handle - old style sink & shower stall
	40130644	Cold handle
4	07290580	Hot handle - laundry tray faucets
	07290582	Cold handle
5	40130168	Wrist handle
	40130153	Wrist handle
6	40130120	Hot index
	40130121	Cold index
7	40130155	Screw
	40130620	O/S diverter handle



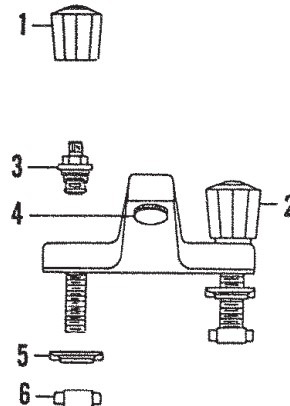
GERBER WIDESPREAD LAVATORY FITTING (SINCE 11/78)

ITEM	PART #	DESCRIPTION
1	40130120	Hot index
	40130121	Cold index
2	40130155	Screw
3	40130167	Hot handle assy.
	40130166	Cold handle assy.
4	07290572	Escutcheon
5	40130605	Washer
6	40950022	O-Ring
7	40110163	Washer
8	50100010	Screw
9	40130026	Stem assembly
10	40130123	Seat
11	40130027	Washerless stem
	07290330	Seal for washerless stem
12	07290489	Locknut
13		Gasket
14		Washer
15		Washer
16		Washer
17		Washer
18		Locknut
19	40800454	Coupling nut
20		Washer
21		Nut
22		Tee w/ nosepiece & nut
23	07290492	Flexible connector
24	07290493	Plastic nosepiece
25	40110144	Aerator



GERBER VISTA (NON-METALLIC) LAVATORY FAUCET

ITEM	PART #	DESCRIPTION
1	07291312	Hot handle
2	07291314	Cold handle
3	40130615	Washerless cartridge assy.
4	40110130	Aerator
5	40140346	Locknut
6	07291316	Supply nut



**TOTAL
MAINTENANCE
SOLUTIONS**

HOUSTON
800/392-5066

ORLANDO
800/327-3022

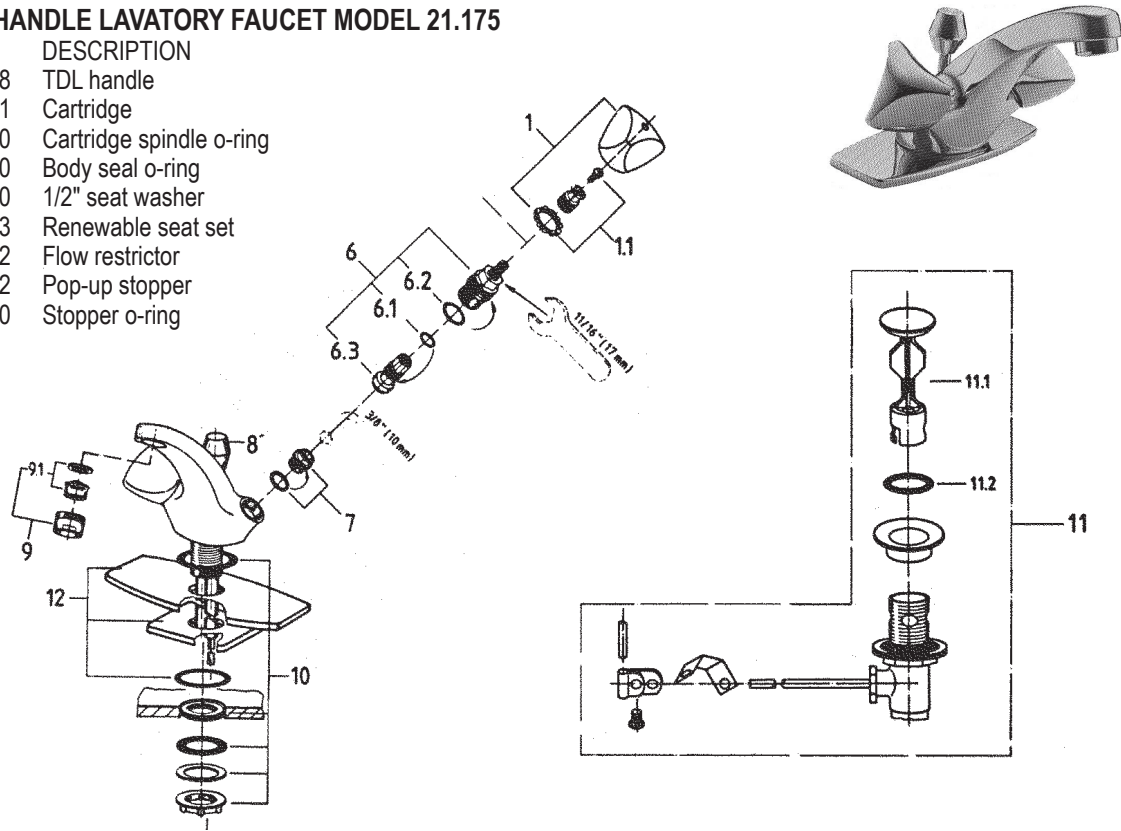
GREENVILLE
800/476-2212

LOOK FOR US ON THE WEB AT: www.TMSSouth.com

FAUCET REPAIR

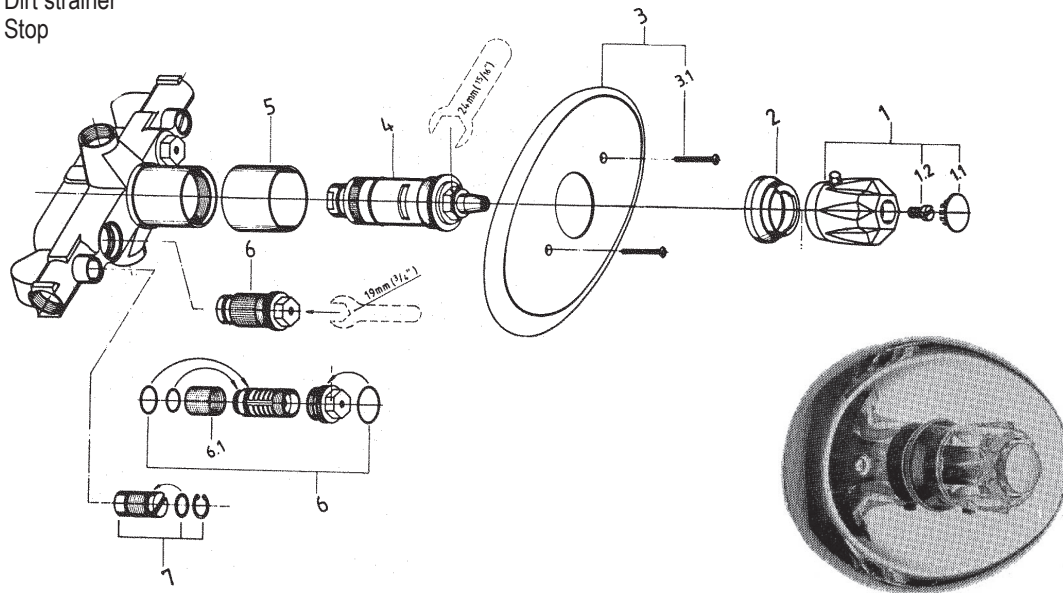
GROHE TWO HANDLE LAVATORY FAUCET MODEL 21.175

ITEM	PART #	DESCRIPTION
1	40130668	TDL handle
6	40130621	Cartridge
6.1	40130720	Cartridge spindle o-ring
6.2	31270050	Body seal o-ring
6.3	40130660	1/2" seat washer
7	40130663	Renewable seat set
9	31270212	Flow restrictor
11.1	40130662	Pop-up stopper
11.2	31270080	Stopper o-ring



GROHE SINGLE LEVER BATH & SHOWER FAUCET MODEL 34.474

ITEM	PART #	DESCRIPTION
1	31270140	Temperature control handle
3	31270150	Escutcheon
4	40130667	Cartridge
6.1	31270030	Dirt strainer
7	31270500	Stop



**TOTAL
MAINTENANCE
SOLUTIONS**

HOUSTON
800/392-5066

ORLANDO
800/327-3022

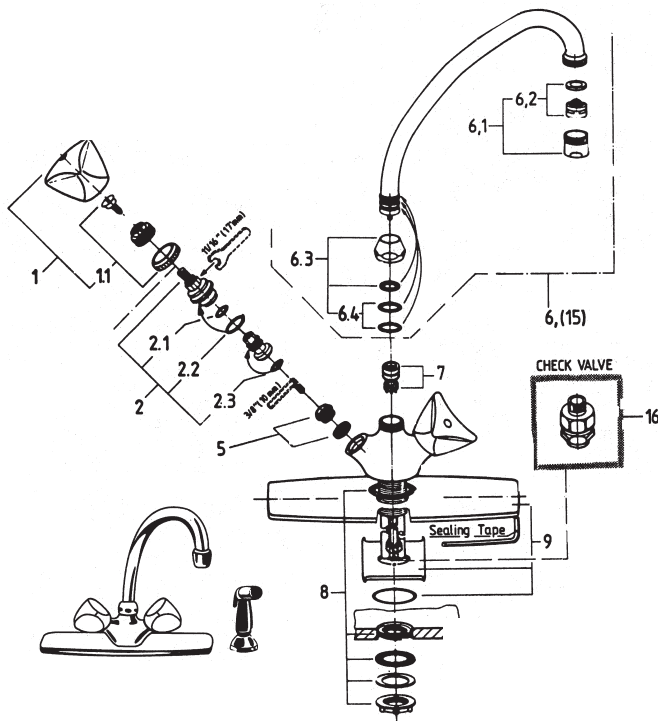
GREENVILLE
800/476-2212

LOOK FOR US ON THE WEB AT: www.TMSSouth.com

FAUCET REPAIR

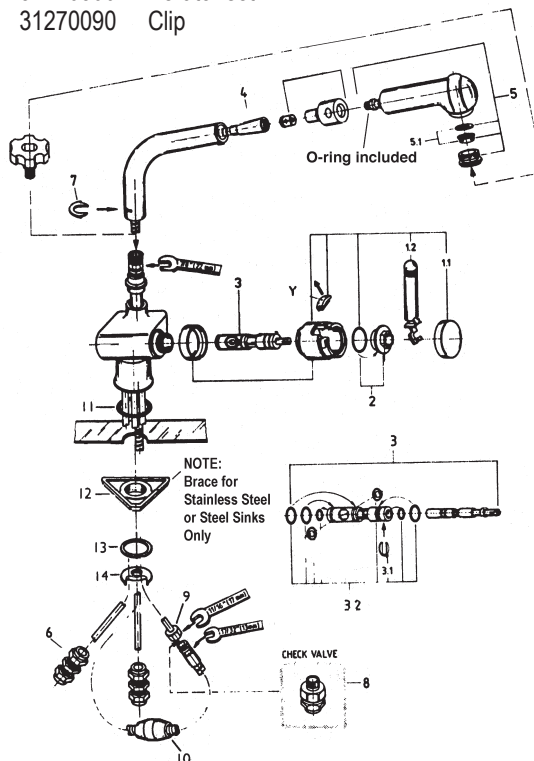
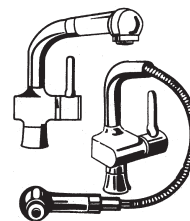
GROHE TWO HANDLE SINK FAUCET MODEL 31.735

ITEM	PART #	DESCRIPTION
1	31720100	TDL handle
2	40130621	Cartridge
5	40130663	Renewable seat set
6	31270200	Swivel spout
6.1	31270210	Flow regulator
6.3	31270306	Spout fitting set
7	31270115	Diverter assembly



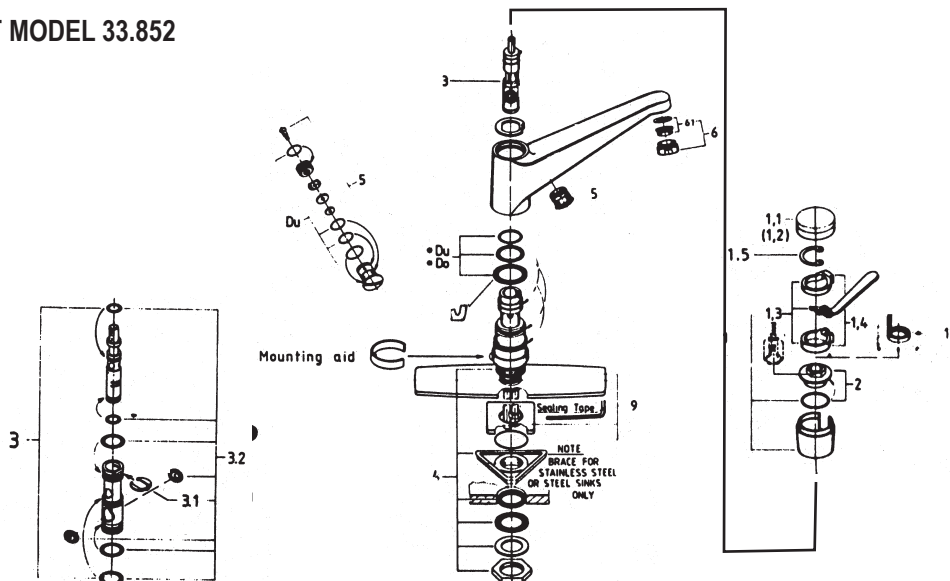
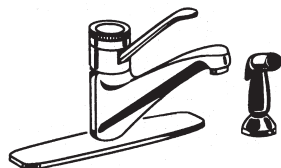
GROHE SINGLE HANDLE SINK FAUCET MODEL 33.790

ITEM	PART #	DESCRIPTION
1	31270420	Handle assembly
1.1	31270426	Cap
3	31270118	Cartridge
3.1	31270010	Cartridge clip
3.2	31270412	Cartridge washer set
4	40130665	Hose w/ coupling
5	40130666	Hand spray
5.1	31270300	Aerator set
7	31270090	Clip



GROHE SINGLE LEVER SINK FAUCET MODEL 33.852

ITEM	PART #	DESCRIPTION
1	31270406	Handle assembly
1.1	31270130	Cap - acrylic
1.2	31270170	Cap - metal
1.5	31270060	Clip
2	40130664	Cartridge retainer nut
3	40130661	Cartridge
3.1	31270010	Clip
3.2	31270450	Cartridge washer set
5	31270104	Diverter
6	31270216	Flow restrictor
DU	31270440	Complete washer set - diverter type
DO	31270442	Complete washer set - no diverter



HOUSTON
800/392-5066

ORLANDO
800/327-3022

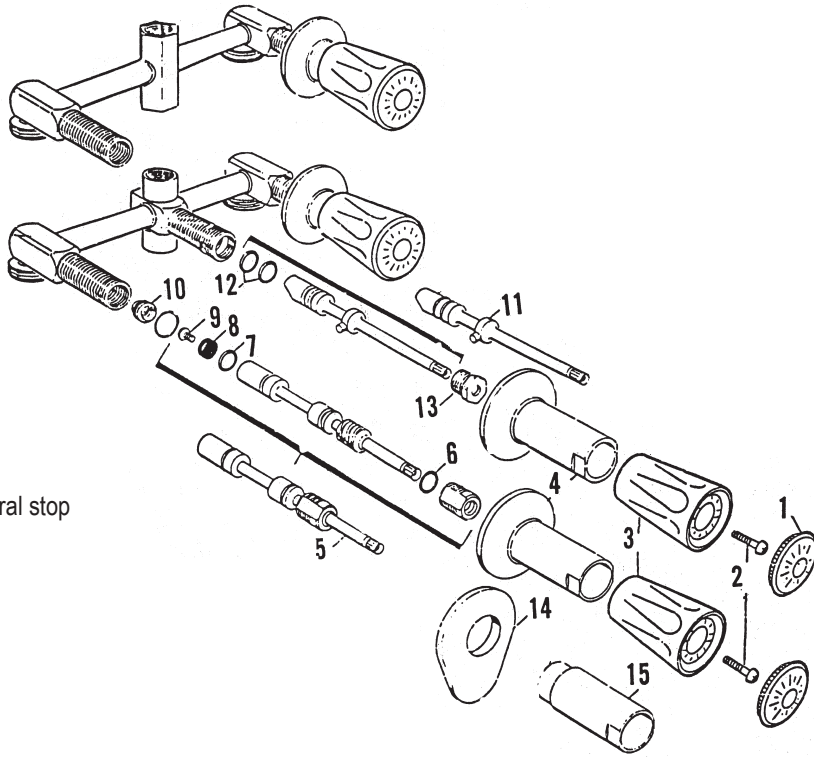
GREENVILLE
800/476-2212

LOOK FOR US ON THE WEB AT: www.TMSSouth.com

FAUCET REPAIR

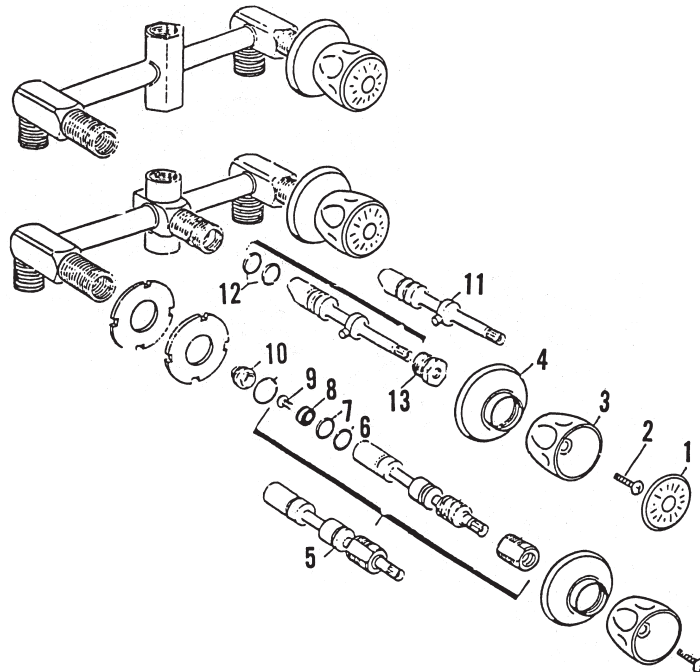
HARCRAFT SERIES 20-100 TUB & SHOWER VALVE

ITEM	PART #	DESCRIPTION
1	40140209	Hot index
	40140210	Cold index
	40140211	Arrow index
2	50100010	Handle screw
3	40140133	Handle only
4	40140212	Escutcheon
5	40140213	Stem assy. - hot & cold
6	40950022	Upper stem o-ring
7	40950047	Lower stem o-ring
8	40110118	Seat washer
9	50100010	Bibb screw
10	42000480	Seat
11	43361020	Diverter stem assy.
12	40950047	Diverter stem o-ring
13	29360260	Diverter stem bonnet
14	40140216	Escutcheon for integral stop
15	40140217	Escutcheon sleeve for integral stop



HARCRAFT SERIES 20-705 TUB & SHOWER VALVE

ITEM	PART #	DESCRIPTION
1	40140218	Hot index
	40140219	Cold index
2	50100010	Handle screw
3	40140220	Handle only
4	40140221	Escutcheon
5	40140222	Stem assembly
6	40950022	Upper stem o-ring
7	40950047	Lower stem o-ring
8	40110118	Stem washer
9	50100010	Bibb screw
10	40140112	Renewable seat
11	43361019	Diverter stem
12	40950047	Diverter stem o-ring
13	29360260	Diverter stem bonnet



**TOTAL
MAINTENANCE
SOLUTIONS**

HOUSTON
800/392-5066

ORLANDO
800/327-3022

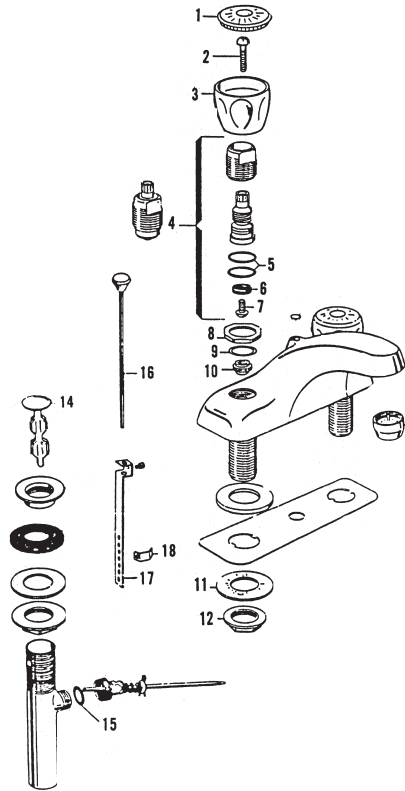
GREENVILLE
800/476-2212

LOOK FOR US ON THE WEB AT: www.TMSSouth.com

FAUCET REPAIR

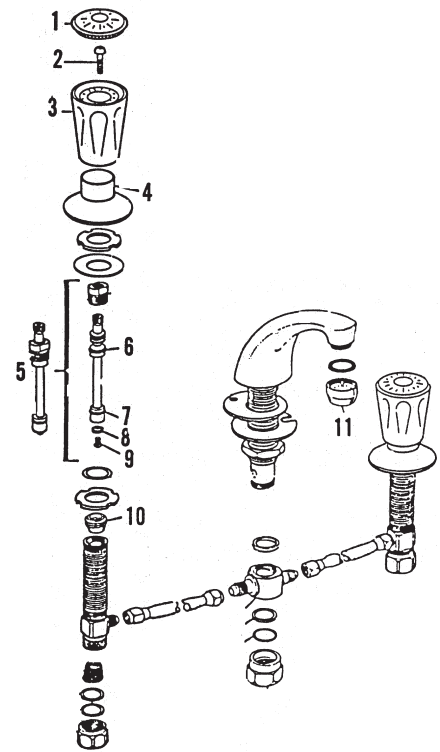
HARCRAFT CENTERSET LAVATORY

ITEM	PART #	DESCRIPTION
1	40140218	Hot index button
	40140219	Cold index button
2	50100010	Handle screw
3	40140220	Handle only
4	40130679	Stem assy. - hot or cold
5	40950047	Stem o-ring
6	40110118	Seat washer
7	50100010	Bibb screw
8	29360250	Stem locknut
9	40130670	Bonnet gasket
10	42000480	Renewable seat
11	40800529	Rosette
12	51000048	Locknut
13	40110130	Aerator
14	05001300	Pop-up stopper
15	04891770	Ball rod gasket
16	40992123	Pop-up pull rod
17	12890540	Extension strap
18	09890190	Pop-up clip



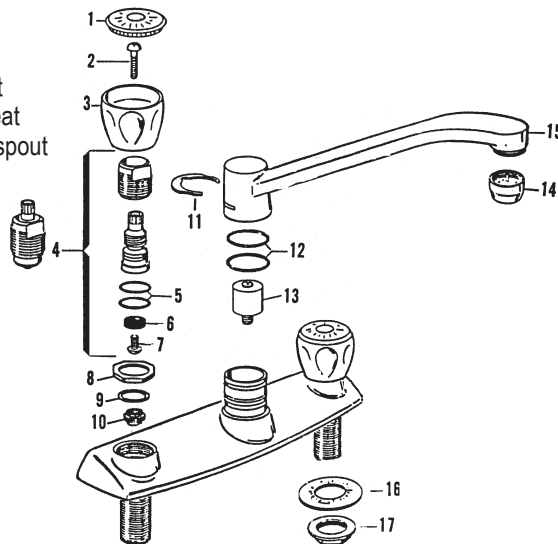
HARCRAFT WIDESPREAD LAVATORY

ITEM	PART #	DESCRIPTION
1	40140209	Hot index button
	40140210	Cold index button
2	50100010	Handle screw
3	40140133	Handle only
4	29360130	Escutcheon
5	40140227	Stem assy. - hot or cold
6	40950022	Upper stem o-ring
7	40950047	Lower stem o-ring
8	40110118	Seat washer
9	50100010	Bibb screw
10	42000480	Renewable seat
11	40110130	Aerator



HARCRAFT TWO HANDLE KITCHEN

ITEM	PART #	DESCRIPTION	ITEM	PART #	DESCRIPTION
1	40140218	Hot index button	13	40140255	Spray diverter
	40140219	Cold index button	14	40110130	Aerator
2	50100010	Handle screw	15	40130659	Spout
3	40140220	Handle only	16	40800529	Rosette
4	40130679	Stem assy. - hot or cold	17	51000048	Locknut
5	40950047	Stem o-ring			
6	40110118	Seat washer			
7	50100010	Bibb screw			
8	29360250	Stem locknut			
9	40130670	Bonnet gasket			
10	42000480	Renewable seat			
11	40140225	Snap ring for spout			
12	40950036	Spout o-ring			



**TOTAL
MAINTENANCE
SOLUTIONS**

HOUSTON
800/392-5066

ORLANDO
800/327-3022

GREENVILLE
800/476-2212

LOOK FOR US ON THE WEB AT: www.TMSSouth.com

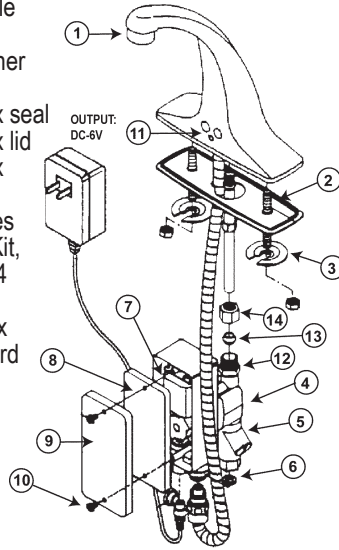
FAUCET REPAIR

SENSOR OPERATED FAUCETS from HYDROTEK



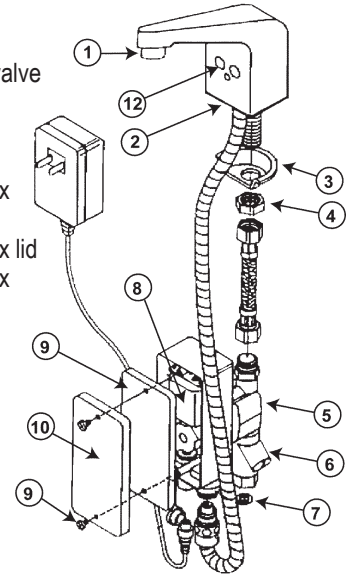
HYDROTEK HB-1000 NON-MIXING BATTERY OPERATED

ITEM	PART #	DESCRIPTION
1	*	Flow control aerator
2	*	Gasket
3	*	Slotted washer
4	40110159	Solenoid valve
	31751014	Solenoid valve repair kit
		Complete control box w/ solenoid valve, in-line filter, PCB module, battery holder
5	31751002	In line filter
6	*	Nylon washer
7	31751004	Battery
8	31751006	Battery box seal
9	31751008	Battery box lid
10	*	Battery box screws
11	31751010	Sensor eyes
12	31751012	Mounting Kit, items 12-14
	HCB003A	Control Box
	HCB012	Circuit Board w/ battery holder



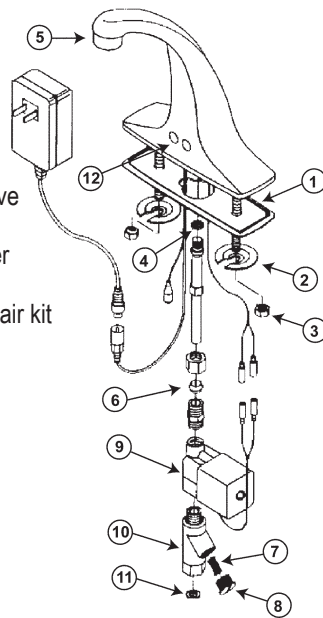
HYDROTEK H-2000 NON-MIXING BATTERY OPERATED

ITEM	PART #	DESCRIPTION
1	*	Flow control aerator
2	*	Gasket
3	*	Washer
4	*	Nut
5	40110159	Solenoid valve
6	31751002	Filter
7	*	Washer
8	31751004	Battery
9	31751006	Battery box seal
10	31751008	Battery box lid
11	*	Battery box screws
12	31751010	Sensor assembly
*	31751014	Solenoid repair kit



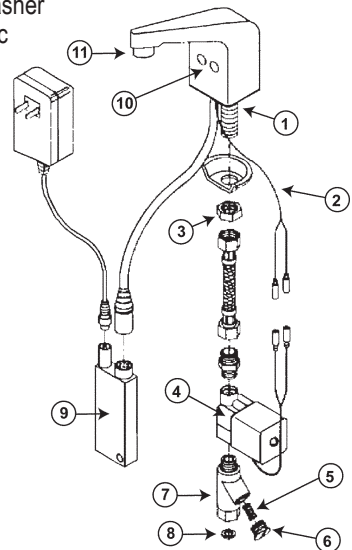
HYDROTEK H-1000 NON-MIXING — AC OPERATED

ITEM	PART #	DESCRIPTION
1	*	Gasket
2	*	Slotted washers
3	*	Nut
4	*	O-ring
5	*	Flow control aerator
6	*	Ferrule
7	31751002	Filter screen
8	*	Filter cap
9	40110159	Solenoid valve
10	*	In-line filter
11	*	Nylon washer
12	31751010	Sensor
	31751014	Solenoid repair kit



HYDROTEK H-2000 NON-MIXING — AC OPERATED

ITEM	PART #	DESCRIPTION
1	*	Gasket
2	*	Mounting washer
3	*	Nut
4	40110159	Solenoid valve
5	31751002	Filter screen
6	*	Filter cap
7	*	In-line filter
8	*	Nylon washer
9	31751018	Electronic module
10	31751020	Sensor
11	*	Aerator
	31751014	Solenoid repair kit



**TOTAL
MAINTENANCE
SOLUTIONS**

HOUSTON
800/392-5066

ORLANDO
800/327-3022

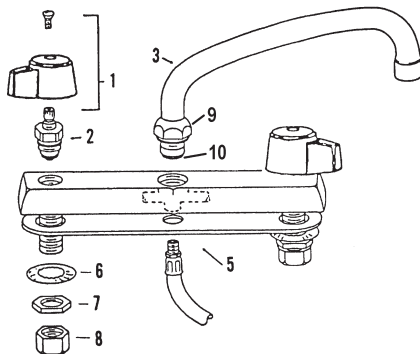
GREENVILLE
800/476-2212

LOOK FOR US ON THE WEB AT: www.TMSSouth.com

FAUCET REPAIR

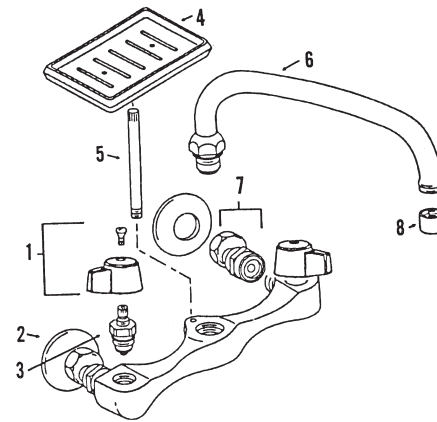
INDIANA BRASS TWO HANDLE SINK FAUCET

ITEM	PART #	DESCRIPTION
1	40140481	Large lever handle - hot
	40140480	Large lever handle - cold
2	40171041	Stem & bonnet - hot
	40171040	Stem & bonnet - cold
	40950041	Bonnet o-ring
	40950022	Stem o-ring
	40110119	Stem washer
	50100011	Bibb screw
	40140103	Renewable seat
3	08380280	Spout assembly
4	40110130	Aerator
5	45732006	Spray diverter
6	40800529	Rosette
7	40800598	Locknut
8	40800454	Coupling nut
9	40140338	Snap ring
10	40950025	O-ring



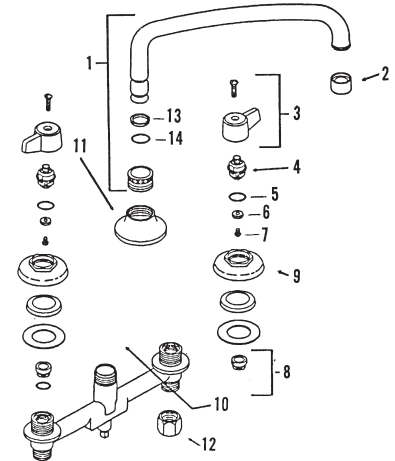
INDIANA BRASS WALL MOUNT SINK FAUCET

ITEM	PART #	DESCRIPTION
1	40140481	Large lever handle - hot
	40140480	Large lever handle - cold
2		Escutcheon
3	40171041	Stem & bonnet - hot
	40171040	Stem & bonnet - cold
	40950022	Stem o-ring
	40950041	Bonnet o-ring
	40110119	Stem washer
	50100011	Bibb screw
	40140103	Renewable seat
4		Soap dish w/set screw
5		Soap dish post
6	08380280	Spout assembly
7		Offset conn. w/ escutch. -PR
8	40110130	Aerator



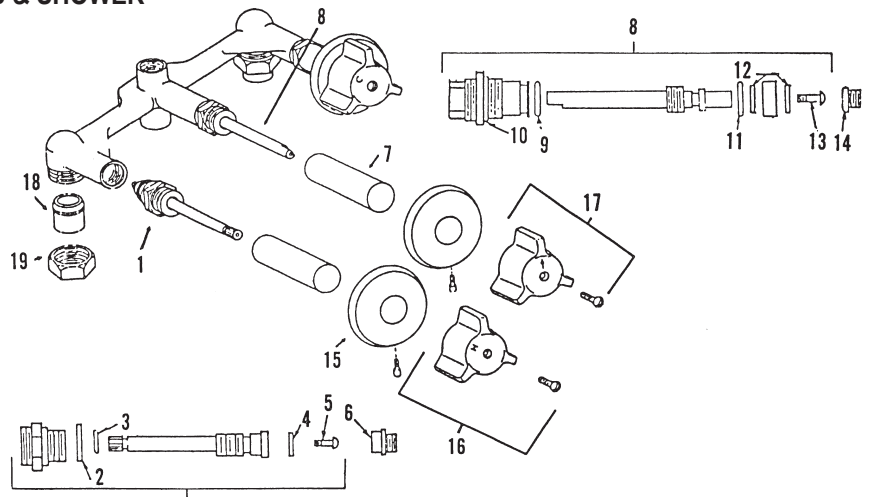
INDIANA BRASS HANDLE CONCEALED SINK FAUCET

ITEM	PART #	DESCRIPTION
1	40140337	Spout assembly
2	40110130	Aerator
3	40140480	Large lever handle - cold
	40140481	Large lever handle - hot
4	40171040	Stem & bonnet - cold
	40171041	Stem & bonnet - hot
	40950022	Stem o-ring
5	40950041	Bonnet o-ring
6	40110119	Stem washer
7	50100011	Bibb screw
8	40140103	Renewable seat
9	08380310	Handle escutcheon
10	45732006	Spray diverter
11	08380300	Spout escutcheon
12	40800454	Coupling nut
13	40140338	Spout snap ring
14	40950025	Spout



INDIANA BRASS TWO & THREE VALVE TUB & SHOWER

ITEM	PART #	DESCRIPTION
1	40170028	Stem & bonnet - hot or cold
	40140347	Stem & bonnet - cold (lever hdl.)
2	40130671	Bonnet gasket
3	40950022	Stem o-ring
4	40110119	Stem washer
5	50100011	Bibb screw
6	40130672	Renewable seat
7	06890198	Escutcheon sleeve
8	40140348	Diverter stem Assy.
9	40950034	Div. stem o-ring
10	40950037	Div. bonnet (top) o-ring
11	40950028	Div. bonnet (bottom) o-ring
12	08380650	Nylon disc
13	40140339	Div. stem washer screw
14	40140103	Renewable seat
15	40140130	Escutcheon
16	40140140	Handle Assy. - hot
	40140139	Handle Assy. - cold
17	40140185	Handle Assy. - diverter
18		Tailpiece
19		Coupling nut



**TOTAL
MAINTENANCE
SOLUTIONS**

HOUSTON
800/392-5066

ORLANDO
800/327-3022

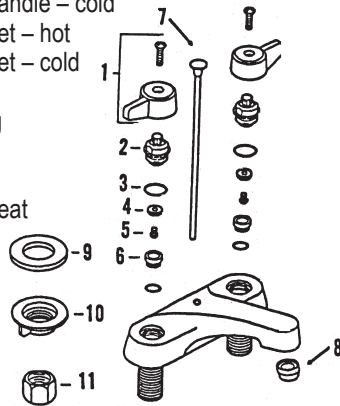
GREENVILLE
800/476-2212

LOOK FOR US ON THE WEB AT: www.TMSSouth.com

FAUCET REPAIR

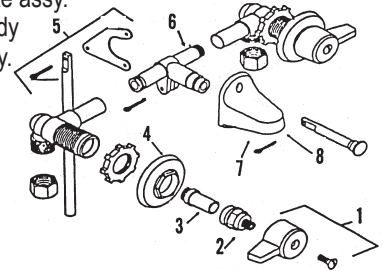
INDIANA BRASS TWO HANDLE LAVATORY FAUCET

ITEM	PART #	DESCRIPTION
1	08380350	Small lever handle – hot
	08380340	Small lever handle – cold
2	40171041	Stem & bonnet – hot
	40171040	Stem & bonnet – cold
	40950022	Stem o-ring
3	40950041	Bonnet o-ring
4	40110119	Stem washer
5	50100011	Bibb screw
6	40140103	Renewable seat
7	08380636	Upper lift rod
8	40110124	Aerator
9	40800529	Rosette
10	40800598	Locknut
11	40800454	Coupling nut



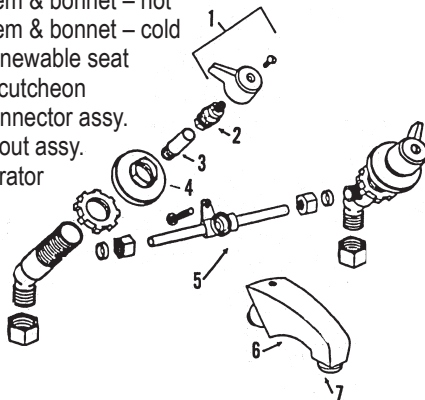
INDIANA BRASS LEDGEBACK LAVATORY FAUCET

ITEM	PART #	DESCRIPTION
1	08380350	Small lever handle - hot
	08380340	Small lever handle - cold
2	40171041	Stem & bonnet - hot
	40171040	Stem & bonnet - cold
3	40120645	Renewable seat
4	08380310	Escutcheon
5	08380610	Rod & yoke assy.
6	08380600	Center body
7		Spout assy.
8	40110124	Aerator



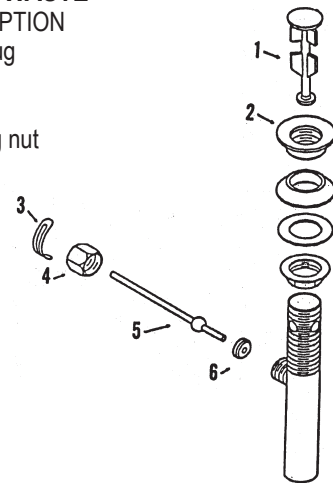
INDIANA BRASS SLANTBACK LAVATORY FAUCET

ITEM	PART #	DESCRIPTION
1	08380350	Small lever handle – hot
	08380340	Small lever handle – cold
2	40171041	Stem & bonnet – hot
	40171040	Stem & bonnet – cold
3	40120645	Renewable seat
4	08380310	Escutcheon
5	08380590	Connector assy.
6		Spout assy.
7	40110124	Aerator



INDIANA BRASS POP-UP WASTE

ITEM	PART #	DESCRIPTION
1	40140238	Drain plug
2	08380598	Top cap
3	02150420	Clip
4	08380630	Coupling nut
5	08380640	Ball rod
6	08380620	Seal washer



INDIANA BRASS HANDLES

TYPE	PART #	DESCRIPTION	TYPE	PART #	DESCRIPTION	ITEM	PART #	DESCRIPTION
1	08380350	Small metal lever – hot	3	40140246	Small tri-lever – hot	4	40140248	Small crystalair – hot
	08380340	Small metal lever – cold		40140247	Small tri-lever – cold		40140249	Small crystalair – cold
	40140481	Large metal lever – hot		40140140	Large tri-lever – hot		40140250	Large crystalair – hot
	40140480	Large metal lever – cold		40140139	Large tri-lever – cold		40140251	Large crystalair – cold
	08380380	Large metal lever – arrow		40140185	Large tri-lever – arrow		40140252	Large crystalair – arrow
2	40140239	Small pentagon – hot						
	40140240	Small pentagon – cold						
	40140241	Medium pentagon – hot						
	40140242	Medium pentagon – cold						
	08380480	Large pentagon – hot						
	08380470	Large pentagon – cold						
	08380460	Large pentagon – arrow						



1



2



3



4



**TOTAL
MAINTENANCE
SOLUTIONS**

HOUSTON
800/392-5066

ORLANDO
800/327-3022

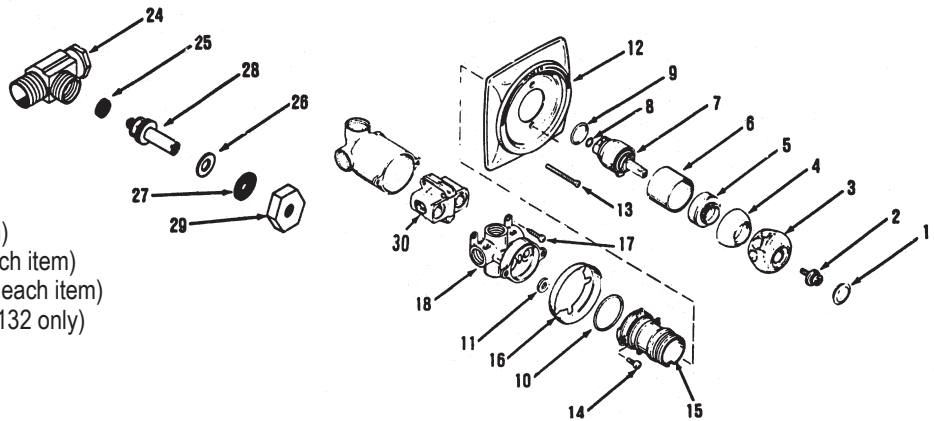
GREENVILLE
800/476-2212

LOOK FOR US ON THE WEB AT: www.TMSSouth.com

FAUCET REPAIR

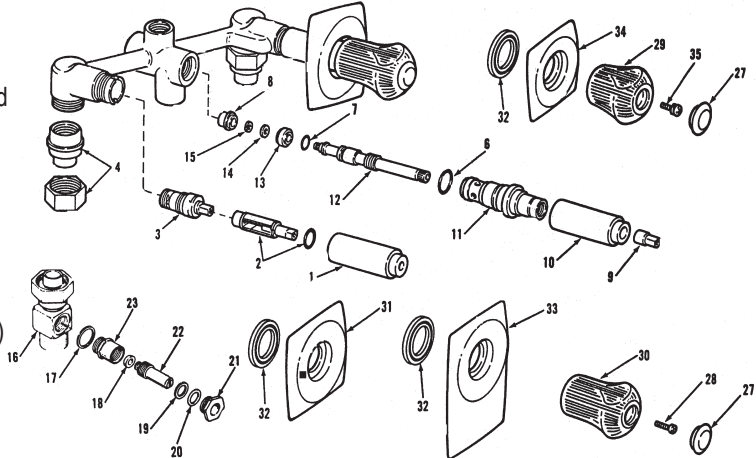
KOHLER CORALAIS BATH & SHOWER FITTING K-15131, K-15132, K-15133

ITEM	PART #	DESCRIPTION
1	40140391	Plug button
1-3	40140477	Handle kit
4	40140354	Cap - specify finish
5	40140353	Bonnet - specify finish
6	40140355	Sleeve - specify finish
7-9	40140122	Valve cartridge
8-11	40140392	Valve service kit
13-14	40140393	Screw kit (2 of each item)
25-29	40140394	Valve service kit (2 of each item)
27-29	09891678	Stop valve stem kit (2 of each item)
30	40140004	Cartridge (used on K-15132 only)



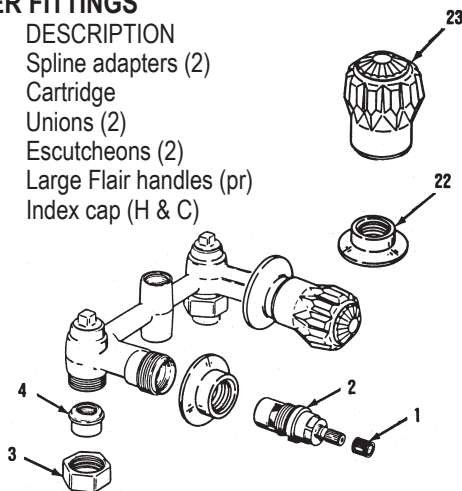
KOHLER CORALAIS BATH & SHOWER FITTING K-15231, K-15234

ITEM	PART #	DESCRIPTION
1	40140267	Sleeves CP (2)
2	40140268	Stem extensions w/o-rings (2)
3	40140464	Stem (closes counter clockwise) Hot & Cold
	40140269	Stem (closes clockwise) Hot
4	09896054	Unions (2)
6-9	09896050	Diverter service kit
6-15	40140270	Diverter assembly
17-20	40140395	Stop valve service kit (2 of each item)
27	40140271	Plug buttons (H,C,D)
31	40140396	Escutcheons (2 of item 31 & 32)
33	40140390	Escutcheons - valve w/ stops (2 of 32 & 33)
34	40140389	Escutcheon - Diverter (1 of item 32 & 34)



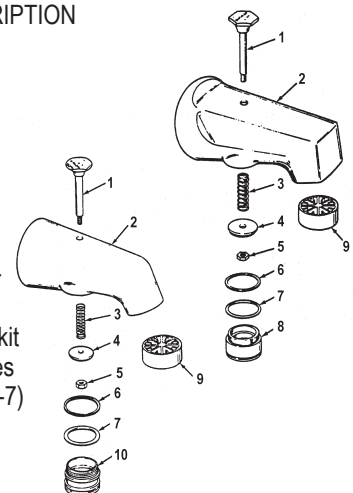
KOHLER BRAVURA & FLAIR II BATH & SHOWER FITTINGS

ITEM	PART #	DESCRIPTION
1	40140159	Spline adapters (2)
2	40140003	Cartridge
3-4	09891555	Unions (2)
22	09891434	Escutcheons (2)
23	40140272	Large Flair handles (pr)
	09891636	Index cap (H & C)



KOHLER DIVERTER REPAIR PARTS

ITEM	PART #	DESCRIPTION
1	40140273	Stem
3	40140274	Spring
4	40140275	Disc
5	09893000	Nut
6	40140276	Gasket
7	40950064	O-Ring
8	40140278	Plug
9	40140455	Stream breaker
10	40140456	Plug
	40140364	Repair kit (includes items 3-7)



HOUSTON
800/392-5066

ORLANDO
800/327-3022

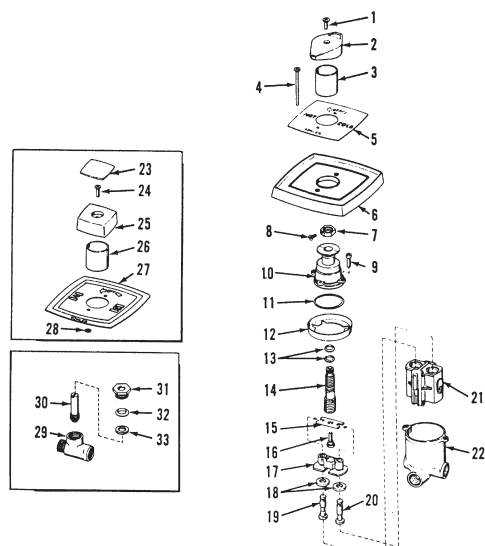
GREENVILLE
800/476-2212

LOOK FOR US ON THE WEB AT: www.TMSSouth.com

FAUCET REPAIR

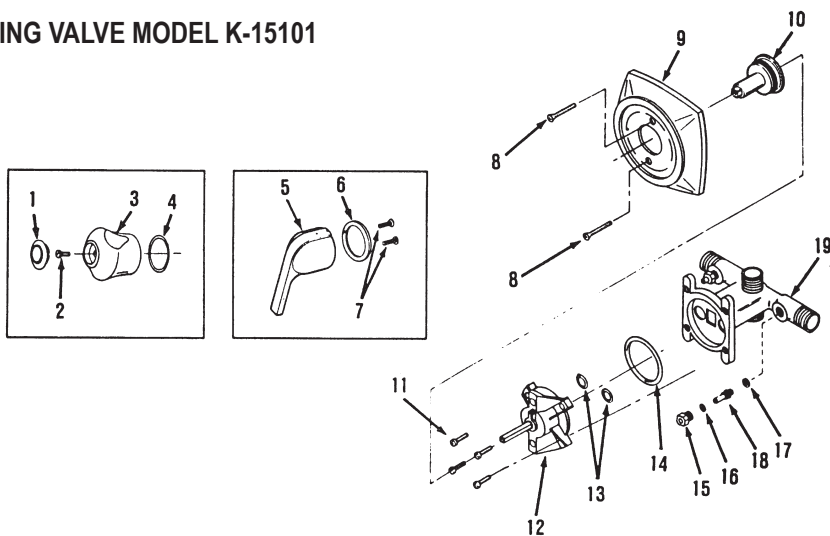
KOHLER TRITON II & ALTERNA RITE-TEMP FITTING

ITEM	PART #	DESCRIPTION	ITEM	PART #	DESCRIPTION
1	50100002	Handle screw	18	40140291	Seat washer
2	40140280	Handle	19	40140292	Hot plunger
3	40140281	Sleeve	20	40140293	Plunger
4	40140282	Screw	21	40140004	Pressure regulator
5	40140283	Face plate	22		Body
6	40140359	Escutcheon	23	40140429	Index cap (4pk)
7	40140285	Stop nut	24	40700508	Screw
8	40140286	Screw	25	40140295	Handle
9	40140287	Screw	26	40140281	Sleeve
10	40140192	Cap	27	40140430	Face plate
11	40950082	O-Ring	28	40140431	Washer
12	40140360	Shield	29		Body
13	40950021	O-Ring	30	40140296	Stem
14	40140118	Spindle	31	40140297	Packing nut
15	40140428	Bar	32	40950048	O-Ring
16	NLA	Screw	33	09891782	Washer
13-16	40700118	Spindle S/A	34	09891450	Valve repair kit
17	40140290	Retainer plate			Items 11, 13, 18-20



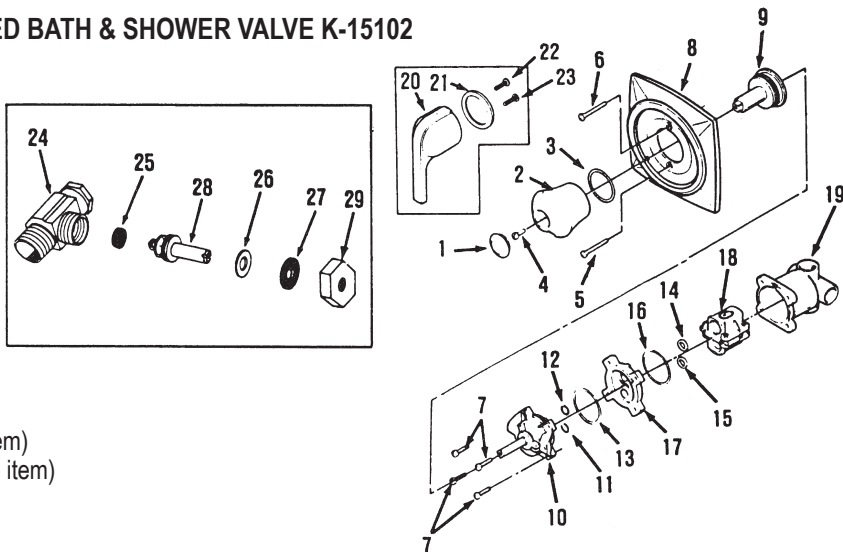
KOHLER CORALAI BATH & SHOWER MIXING VALVE MODEL K-15101

ITEM	PART #	DESCRIPTION
1	40140391	Plug button
2		See item 7
1-4	40140109	Handle kit
5-7	40140478	Lever handle kit CP
7	09895050	Screw kit (1 item 2, 2 item 7&8, 4 item 11)
9	09894979	Dial plate
10	40140458	Stem adapter
12	40211333	Valve kit (1 of item 12&14, 2 of item 13)
	40140392	Valve service kit (2 of item 13, 1 of item 14)
15-18	40140457	Stop stem kit



KOHLER CORALAI PRESSURE BALANCED BATH & SHOWER VALVE K-15102

ITEM	PART #	DESCRIPTION
1	40140391	Plug button
1-4	40140109	Handle kit
4	09895050	Screw kit (1 item 4-6, 22 & 23, 4 item 7)
8	09894979	Dial plate
9	40140458	Stem adapter
10	40211333	Valve kit (1 of item 10-13)
	40140392	Valve service kit (1 of item 11-16)
16-17	09891672	Adapter
18	40140004	Cartridge
20-23	40140478	Lever handle kit CP
25-29	40140394	Valve service kit (2 of each item)
27-29	09891678	Stop valve stem kit (2 of each item)



**TOTAL
MAINTENANCE
SOLUTIONS**

HOUSTON
800/392-5066

ORLANDO
800/327-3022

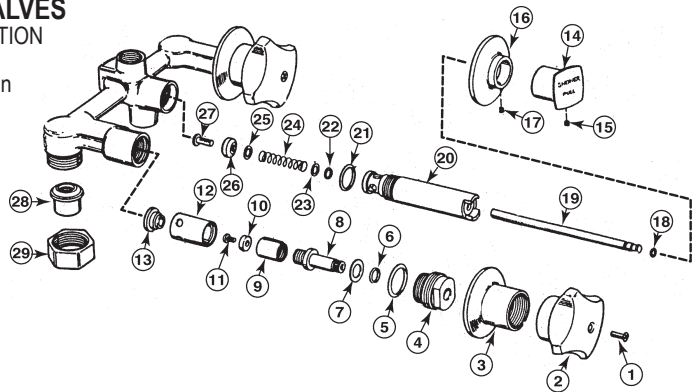
GREENVILLE
800/476-2212

LOOK FOR US ON THE WEB AT: www.TMSSouth.com

FAUCET REPAIR

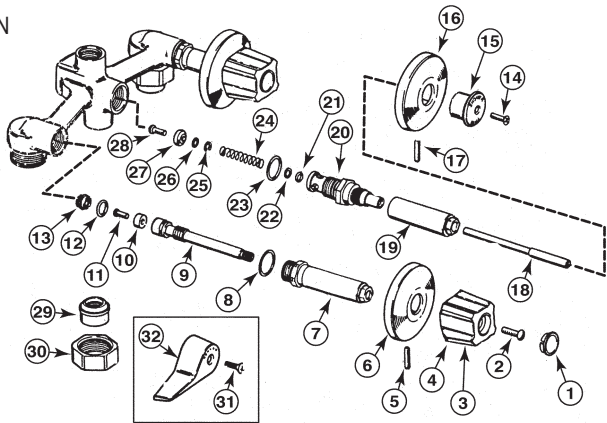
KOHLER ALTERNA, FLAIR & TRITON II BATH & SHOWER VALVES

ITEM	PART #	DESCRIPTION	ITEM	PART #	DESCRIPTION
1	50100002	Handle screw	15	40140408	Set screw
2	40140015	Cold handle w/ screw	16	40140407	Escutcheon
	40140014	Hot handle w/ screw	17	40140356	Set screw
	09963037	Diverter handle w/ screw	18	40950018	O-ring
3	40140167	Escutcheon	19	40140476	Stem
4	40140009	Bonnet	20	09893049	Bonnet
5	40950037	O-ring	21	40950028	O-ring
6	40950023	O-ring	22	40950017	O-ring
7	40140031	Washer	23	40140154	Washer
8	40140150	Stem	24	40140274	Spring
9	40140105	Plunger	25	40140154	Washer
10	40110118	Seat washer	26	40140404	Plunger seat
11	40140321	Screw	27	09890629	Screw
12	40150081	Sleeve	18-27	40140117	Diverter stem assy.
13	40140173	Renewable seat	28	40140342	Union
5-13	40140034	Stem assembly	29	40140341	Union nut
14	40140260	Knob			



KOHLER TREND SHOWER & BATH FITTINGS (PRIOR TO 1980)

ITEM	PART #	DESCRIPTION	ITEM	PART #	DESCRIPTION
1	40140151	Index button - blue	14	50100033	Handle screw
	40140187	Index button - red	15	40140472	Pull knob
2	50100009	Handle screw - metal	16	40140399	Escutcheon
	09891486	Handle screw - acrylic	17	09890570	Set screw
3	40140263	Clear acrylic handle	18	40140471	Stem
4	40140176	Chrome handle	19	40140400	Sleeve
5	09890570	Set screw	20	09890500	Bonnet
6	40140399	Escutcheon	21	40950017	O-Ring
7	40140265	Bonnet w/ sleeve	22	40140154	Washer
	40140401	Bonnet w/ sleeve (lever handle)	23	40950028	O-Ring
8	40140266	Washer	24	40140274	Spring
9	40140135	Stem w/ washer & screw H&C	25	40140403	Retainer ring
10	40110118	Washer	26	40140154	Washer
11	50100009	Screw	27	40140404	Plunger seat
12	40950022	O-Ring	28	09890629	Screw
7-12	40170003	Hot & cold stem assy.	18-28	40140039	Diverter stem assy.
	40140136	Cold stem assy. (lever handle)	29	40140342	Union joint
13	40140103	Seat	30	40140341	Union nut
			31	50100033	Handle screw
			32	40140473	Handle - pair

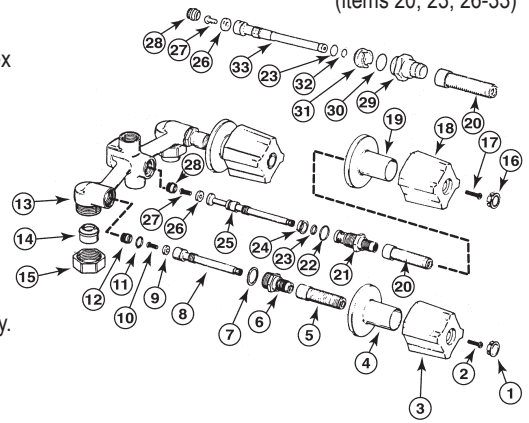


COMPLETE REBUILD KIT # 40140115
includes 4 (HCD), 6(3), 7-12(2), 18-28, 15

KOHLER TREND BATH & SHOWER FITTINGS (AFTER 1979)

ITEM	PART #	DESCRIPTION	ITEM	PART #	DESCRIPTION
1	40140151	Index button - blue	5-11	40520014	Stem assy.
	40140187	Index button - red	13		Body
	40140460	Diverter index	14	40140342	Union joint
	09893945	Red index - new style	15	40140341	Union nut
	09893950	Blue index - new style	16	40140460	Plug button
2	50100009	Handle screw - metal		09893955	Grey diverter index
	09891486	Handle screw - acrylic	19	40140120	Escutcheon
3	40140263	Clear acrylic handle	20	40140264	Sleeve
	40140176	Chrome handle	21	09890670	Bonnet
	40140125	"New Style" Trend	22	40950028	O-ring
4	40140120	Escutcheon	23	40950021	O-ring
5	40140264	Sleeve	24	40140432	Gasket
6	40140265	Bonnet	25	09890750	Stem w/ washer & screw
7	40140266	Washer	26	09892050	Seat washer
8	40140135	Stem w/ washer & screw	27	50100009	Screw
9	40110118	Washer	20-28	40140129	Diverter stem assy.
10	50100009	Screw	28	40140102	Renewable seat
11	40950022	O-ring	29		Bonnet
12	40140102	Renewable seat	30	40950027	O-ring

ITEM	PART #	DESCRIPTION
31		Plastic retainer
32	40950021	O-ring
33		Stem
	40140147	Diverter stem assy. (items 20, 23, 26-33)



TOTAL MAINTENANCE SOLUTIONS

HOUSTON
800/392-5066

ORLANDO
800/327-3022

GREENVILLE
800/476-2212

LOOK FOR US ON THE WEB AT: www.TMSSouth.com

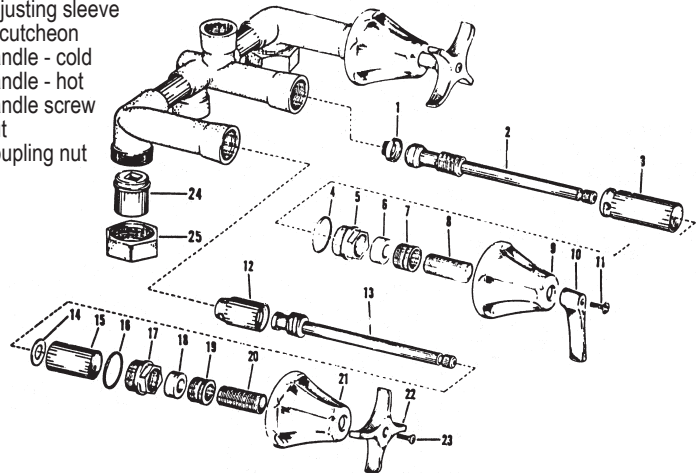
FAUCET REPAIR

KOHLER DALNEY, DALTON, DENTON & TIPTON BATH & SHOWER FITTINGS K-7032, K-7042, K-7100, K-7210

ITEM	PART #	DESCRIPTION
1	40140365	Seat
2	40140466	Stem
3	40140433	Sleeve
4	40140367	Gasket
5	09891630	Bonnet nut
6	40140434	Stem packing
7	40140340	Packing nut
8	40140435	Adjusting sleeve
9	40140436	Escutcheon
10	09891985	Diverter handle
11	40700508	Screw
12	40140459	Barrel
13	40140349	Stem L.H.
	43401066	Stem R.H.
14	40140437	Washer
15	40140438	Spacer
16	40140367	Gasket
17	09891630	Bonnet nut
18	40140434	Stem packing
19	40140340	Packing nut

ITEM	PART #	DESCRIPTION
20	40140435	Adjusting sleeve
21	40140436	Escutcheon
22	40140467	Handle - cold
	40140468	Handle - hot
23	40700508	Handle screw
24	40140342	Nut
25	40140341	Coupling nut

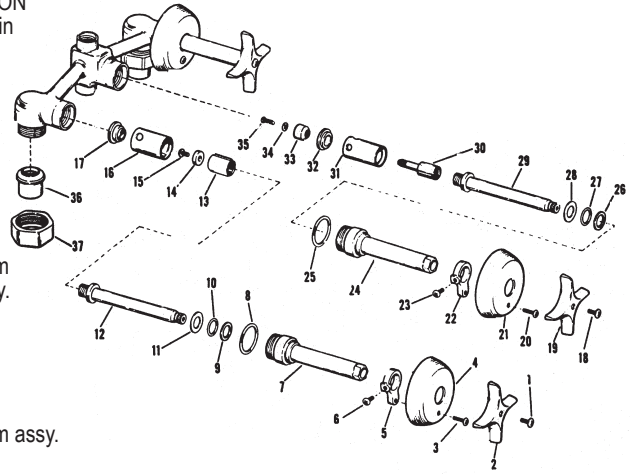
BONNET KIT
40211298
ITEMS 17, 18, 19, 20
AND/OR 5, 6, 7, 8



KOHLER AQUARIC SHOWER & BATH FITTINGS K-10106, K-10116 & K-10120

ITEM	PART #	DESCRIPTION
1	40700508	Handle screw
2	40140467	Handle - cold
	40140468	Handle - hot
3	40700508	Screw
4	40140405	Escutcheon
5	40140406	Lock ring
6	40140321	Screw
7	40140469	Bonnet
8	40950037	O-Ring
9	09890160	Washer
10	40950023	O-Ring
11	40140031	Washer
12	40140141	Stem
13	40140105	Plunger
14	40110118	Washer
15	40140321	Screw
16	40150081	Sleeve
17	40140173	Seat
8-17	40140470	Stem Assy. L.H.
18	40700508	Screw

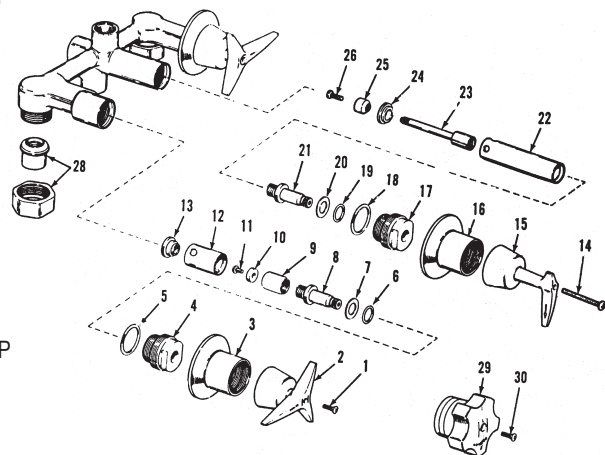
ITEM	PART #	DESCRIPTION
19	09890166	Handle - plain
20	40700508	Screw
21	40140405	Escutcheon
22	40140406	Lock ring
23	40140321	Screw
24	40140469	Bonnet
25	40950037	O-Ring
26	09890160	Washer
27	40950023	O-Ring
28	40140031	Washer
29	40140141	Diverter stem
30	09890280	Plunger Assy.
31	09890278	Sleeve
32	09891070	Seat
33	09891080	Plunger
34	09891078	Washer
35	50100009	Screw
25-35	43405003	Diverter stem Assy.
36	40140342	Union
37	40140341	Union nut



KOHLER TRITON & CONSTELLATION

ITEM	PART #	DESCRIPTION
1	50100002	Handle screw
2	40140344	Triton handle - cold
	40140345	Triton handle - hot
3	40140167	Escutcheon
4	40140009	Bonnet
5	40950037	O-Ring
6	40950023	O-Ring
7	40140031	Washer
8	40140150	Stem - hot & cold
	40140158	Stem - hot (Triton)
9	40140105	Plunger - hot & cold
	40140178	Plunger - hot (Triton)
10	40110118	Seat washer
11	40140321	Screw
12	40150081	Sleeve
13	40140173	Renewable seat
6-13	40140034	Hot & cold stem Assy.
	40140035	Hot stem Assy. - Triton
14	50100033	Screw

ITEM	PART #	DESCRIPTION
15	09891057	Diverter handle
16	40140167	Escutcheon
17	40140009	Bonnet
18	40950037	O-Ring
19	40950023	O-ring
20	40140031	Washer
21	40140150	Stem
22	40140397	Sleeve
23	40140398	Stem (plunger)
24	09891070	Seat
25	09891080	Diverter seat
26	50100009	Screw
27	40140341	Union nut
28	40140342	Union for 1/2" IP
29	09891056	Handle - cold
	09891058	Handle - hot
30	50100033	Handle screw



**TOTAL
MAINTENANCE
SOLUTIONS**

HOUSTON
800/392-5066

ORLANDO
800/327-3022

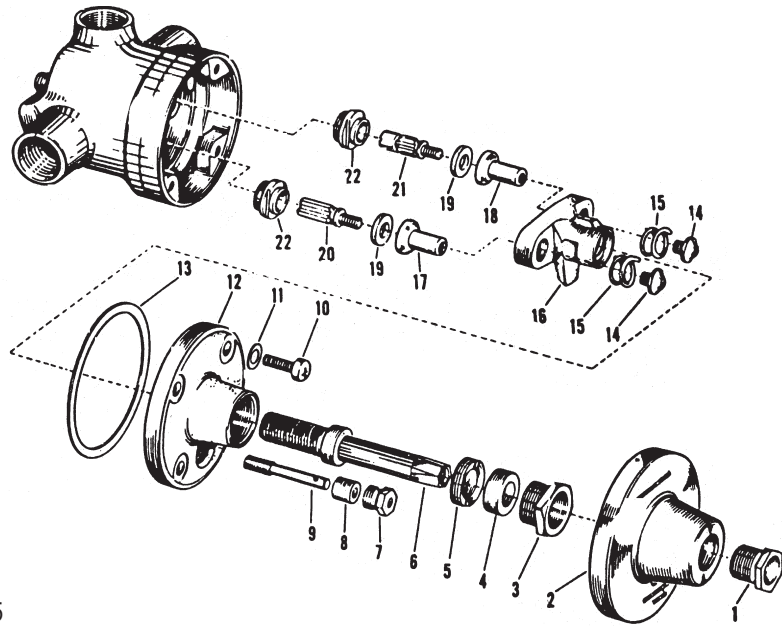
GREENVILLE
800/476-2212

LOOK FOR US ON THE WEB AT: www.TMSSouth.com

FAUCET REPAIR

KOHLER NIEDECKEN EXPOSED MIXER PARTS (KNEE ACTION FITTING)

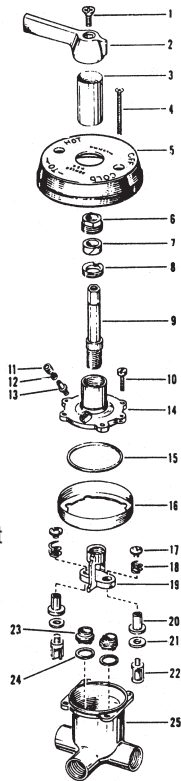
ITEM	PART #	DESCRIPTION
1	40140454	Dial bushing
2	09894702	Dial for K-13715/K-13710
3	40140450	Stuffing nut
4	09890840	Stem packing
5	09890780	Bushing
6	40140449	Stem
7	40140453	Nut
8	40140452	Stem packing
9	40140451	Regulating screw
10	40140448	Cover screws & gasket
12	40140363	Cover
13	40140447	Cover gasket
14	40140445	Screws (2)
15	40140444	Spring (2)
16	40140443	Yoke
17	40140362	Disc holder (see 22 & 23)
18	40140361	Disc holder (see 22 & 23)
19	40140442	Seat washer (2)
20	40140441	Hot plunger
21	40140440	Cold plunger
14-21	40140446	Yoke & plunger assy. for K-3715
	09890844	Yoke & plunger assy. for K-3710
22	40140439	Renewable seat w/gasket
	20401106	Seat wrench for exposed Niedecken valve



Stirrurp handle and screw are available

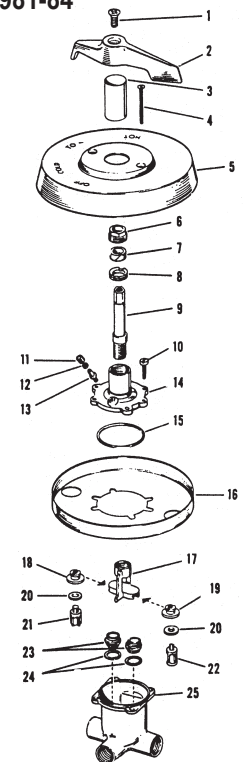
KOHLER NIEDECKEN BUILT-IN MIXER K-7000, K-7027-28, K-7076, K-7205, K-7224, K-7300-01

ITEM	PART #	DESCRIPTION
1	40140409	Screw
2	09891068	Handle
3	40140357	Sleeve
4	09890920	Dial screw
5	NLA	Cover
6	40140410	Packing nut
7	09890840	Stem packing
8	09890780	Bushing
9	40140411	Stem 3-5/8"
	40140412	Stem 3-1/32"
10	40140287	Cover screw
11	40140413	Packing nut
12	40140414	Packing
13	40140415	Regulating screw
14	40140416	Cover
15	40140417	Gasket
16	NLA	
17-20		See item 17-22
21	40140418	Seat washer
22	40140426	Cold plunger
	40140425	Hot plunger
17-22	09891470	Yoke assy. - bottom outlet includes item 7 & 15
	09891480	Yoke assy. - top outlet includes items 7 & 15
23	40140366	Renewable seat
24	40140419	Seat gasket
25	40140427	Body
	20401104	Repair kit (items 7, 15, 21, 23, 24)
		Niedecken seat wrench (not shown)



KOHLER NIEDECKEN BUILT-IN MIXER K-6975-76, K-6977-78, K-6979-80, K6981-84

ITEM	PART #	DESCRIPTION
1	40140409	Screw
2	09891068	Handle
3	40140358	Sleeve
4	09890920	Dial screw
5	40140420	Dial
6	40140410	Packing nut
7	09890840	Stem packing
8	09890780	Bushing
9	40140412	Stem
10	40140287	Cover screw
11	40140413	Packing nut
12	40140414	Packing
13	40140415	Regulating screw
14	40140416	Cover
15	40140417	Gasket
16	40140421	Shield
17	40140422	Yoke
18	40140423	Cold disc holder
19	40140424	Hot disc holder
20	40140418	Seat washer
21	40140425	Hot plunger
22	40140426	Cold plunger
17-22	09891470	Yoke assy. - bottom outlet includes item 7 & 15
	09891480	Yoke assy. - top outlet includes items 7 & 15
23	40140366	Renewable seat
24	40140419	Seat gasket
25	40140427	Body
	20401104	Repair kit (items 7, 15, 21, 23, 24)
		Niedecken seat wrench (not shown)



**TOTAL
MAINTENANCE
SOLUTIONS**

HOUSTON
800/392-5066

ORLANDO
800/327-3022

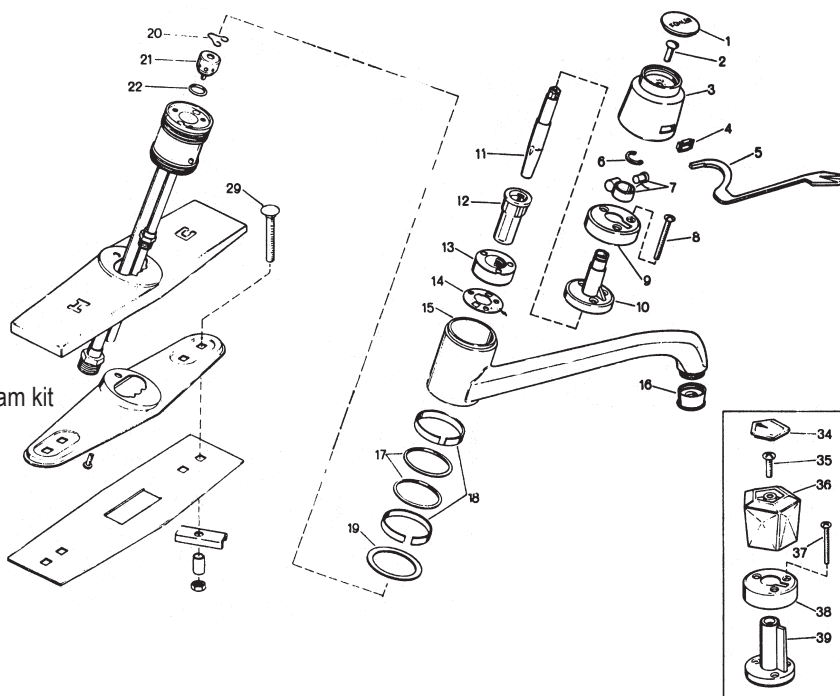
GREENVILLE
800/476-2212

LOOK FOR US ON THE WEB AT: www.TMSSouth.com

FAUCET REPAIR

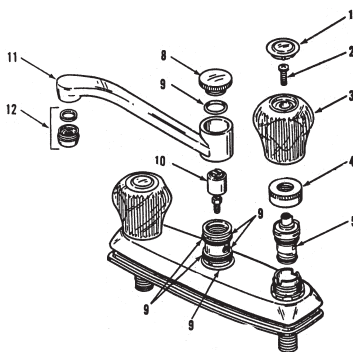
KOHLER CENTURA SINK FITTING

ITEM	PART #	DESCRIPTION
1	40140298	Index plug button
2	40140299	Handle screw
3	40140300	Knob & grommet
4	40140301	Grommet
5	40140302	Lever
6	40140303	Snap ring
7	40140304	Lever collar assy.
8	40140305	Screw
9	40140306	Cam bearing cover
10	40140307	Cam bearing
12-14	40120271	Cam & sleeve kit
13-14	31090212	Cartridge kit
11-14	40140001	Sleeve , gasket,cartridge & cam kit
15	40140379	Spout w/ aerator
16	40110016	Aerator
17	40950074	O-Ring
18	40140380	Spout bearing & washer kit
19	40140351	Washer
20	40140352	Wire clip (see item 21)
21	40140309	Diverter kit
22	40140381	O-Ring
34	40140310	Index button - clear
35	40140311	Handle screw
36	09893318	Handle
37	40140305	Screw
38	40140306	Cam bearing cover
39	40140382	Cam bearing



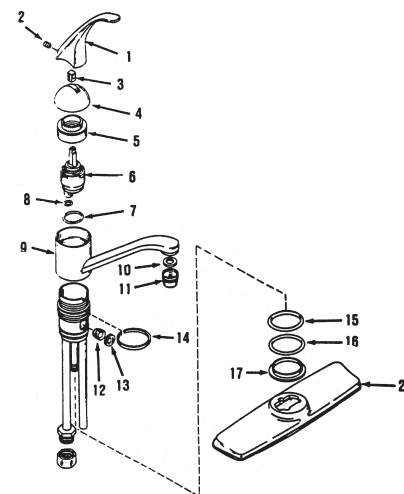
KOHLER CORALAIS SINK FITTING

ITEM	PART #	DESCRIPTION
1	40140271	Plug button – Hot & Cold
2	40140383	Handle screws (2)
3	40140465	Handles – Hot & Cold
4	40140384	Bonnets (2)
5	40140269	Valve assembly
8	NLA	Spout cap CP
9	40140386	Spout washer kit
10	40140333	Diverter
11	40140387	Spout w/ aerator
12	09891435	Spout aerator



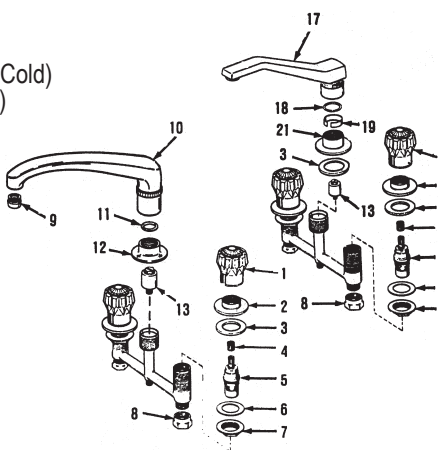
KOHLER CORALAIS SINGLE HANDLE SINK FITTING

ITEM	PART #	DESCRIPTION
1-3	40140314	Lever handle kit CP
4	40121076	Cap kit CP
5	40121077	Bonnet CP
6	40140122	Valve kit (item 6 & 7, 2 of item 8)
7-8	40140316	Washer kit
9	40140388	Spout kit CP (items 9, 10, 11)
10-11	09891435	Aerator
12-13	40140317	Diverter
14-17	40140318	Spout service kit



KOHLER FLAIR II SINK FITTINGS

ITEM	PART #	DESCRIPTION
1	40140313	Flair handle kit (Hot & Cold)
	09891638	Index cap – pair (H&C)
2	09891439	Escutcheon CP (2)
3	09892560	Washer
4	40140159	Spline adapters (2)
5	40140003	Cartridge
6-7	09891552	Washer & locknut
9	09891435	Aerator CP
9-11	40140376	Spout kit
12	09892504	Spout escutcheon
13	NLA	Diverter
17	40140377	Spout assy. CP
18	40950036	O-ring
19	40140375	Ring bushing
21	09892565	Spout escutcheon



**TOTAL
MAINTENANCE
SOLUTIONS**

HOUSTON
800/392-5066

ORLANDO
800/327-3022

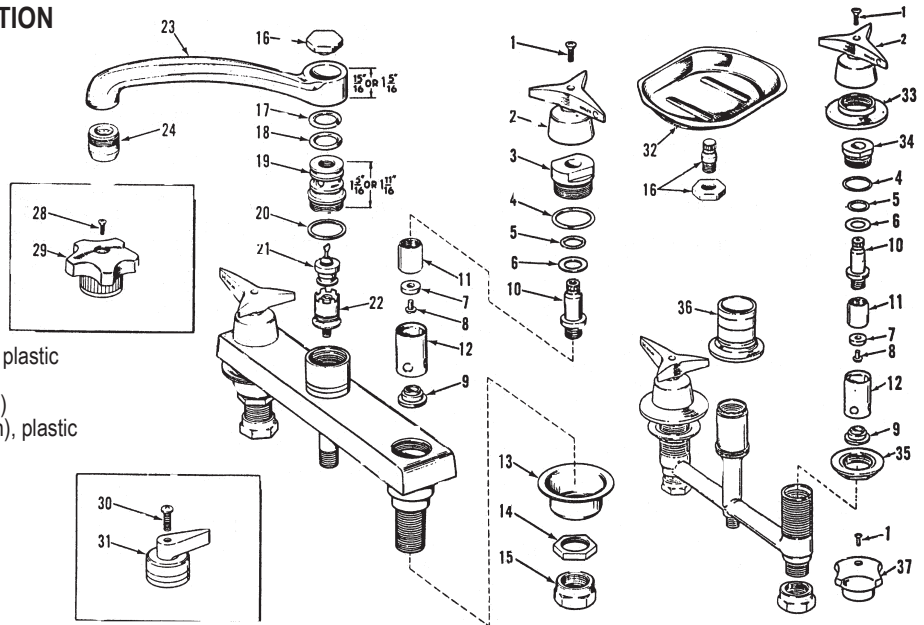
GREENVILLE
800/476-2212

LOOK FOR US ON THE WEB AT: www.TMSSouth.com

FAUCET REPAIR

KOHLER TRITON & CONSTELLATION

ITEM	PART #	DESCRIPTION
1	50100002	Handle screw
2	40140319	Handle - cold
3	40140320	Handle - hot
4	40140008	Bonnet
5	40950038	O-ring
6	40950023	O-ring
7	40140031	Washer
8	40110118	Seat washer
9	40140321	Screw
10	40140173	Renewable seat
11	40140150	Hot & cold stem
	40140158	Cold stem (Triton)
12	40140178	Hot & cold plunger, plastic
	40140108	Brass plunger (hot)
	40140322	Brass plunger (cold)
	40140105	Cold plunger (Triton), plastic
13	40150081	Sleeve
5-12	40140011	Hot & cold assy.
	40140134	Cold stem assy.
14	09892100	Spacer
15	40140042	Locknut
16	40800454	Coupling nut
	40140368	Spout cap
	09892180	Post - or soap dish
	09892190	Cap nut for soap dish
17-18	40950028	O-ring
19	40140370	Spout post 1-5/16"
	40140371	Spout post 1-11/16"
20	40140323	Gasket
21-22	40140255	Diverter
23	40140324	Spout (15/16")
	40140369	Spout (1-5/16")

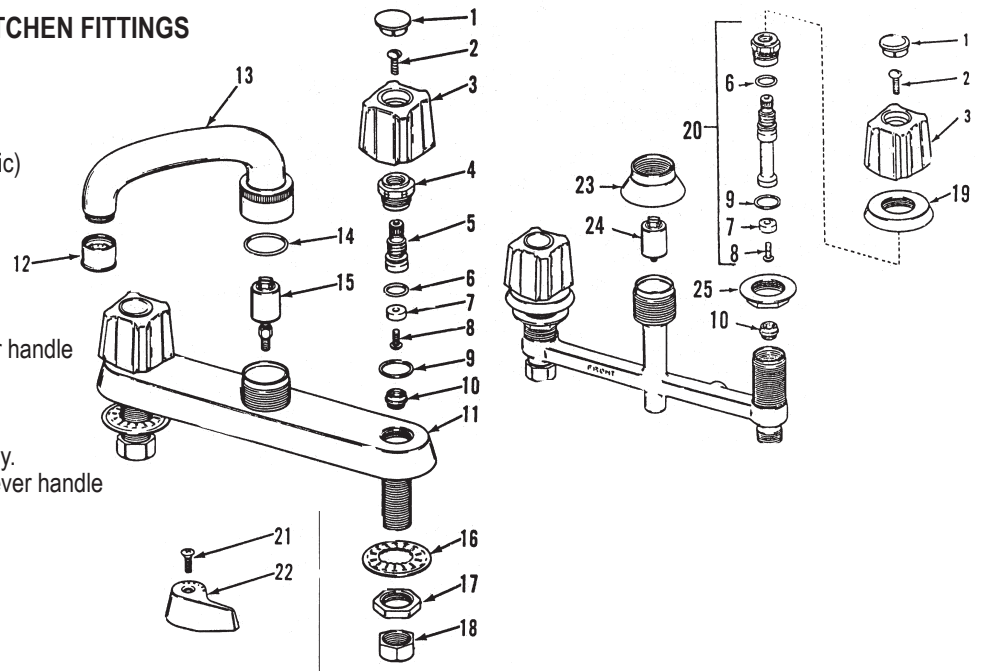


ITEM	PART #	DESCRIPTION
24	40110124	Aerator
28	50100033	Handle screw
29	09892070	Handle - cold
	09892080	Handle - hot
30	40700508	Handle screw
31	40140325	Handle - cold
	40140326	Handle - hot

ITEM	PART #	DESCRIPTION
32	09892320	Soap dish
33	40140327	Flange w/ washer
34	40140007	Bonnet
35	09890276	Locknut
36	09892556	Escutcheon
37	40140015	Handle - cold
	40140014	Handle - hot

KOHLER TREND & SHOREHAM KITCHEN FITTINGS

ITEM	PART #	DESCRIPTION
1	40140151	Index button - blue
	40140187	Index button - red
2	50100009	Screw
	09891486	Handle screw (acrylic)
3	40140329	Clear acrylic handle
	40140142	Chrome handle
4	40140330	Bonnet
	40140378	Bonnet for cold lever handle
5	40140462	Stem
	40140461	Stem - cold for lever handle
6	40950022	O-ring
7	40110118	Seat washer
8	50100009	Screw
4-8	40140005	Hot & cold stem assy.
	40140010	Cold stem assy. - lever handle
9	40140331	Gasket
10	40140102	Renewable seat
11	NLA	Body
12	NLA	Aerator
13	40140332	Spout w/ aerator
14	40950036	O-ring
15	40140333	Diverter
16	40800529	Washer
17	51000048	Locknut
18	40800454	Coupling nut
19	09891438	Flange
20	40140334	Hot & cold stem assy.
	40140335	Cold stem assy. - lever handle



ITEM	PART #	DESCRIPTION
21	50100033	Handle screw
22	40140475	Handle - hot
	40140474	Handle - cold

ITEM	PART #	DESCRIPTION
23	09890425	Spout flange
24	NLA	Diverter
25	09894910	Brass locknut



**TOTAL
MAINTENANCE
SOLUTIONS**

HOUSTON
800/392-5066

ORLANDO
800/327-3022

GREENVILLE
800/476-2212

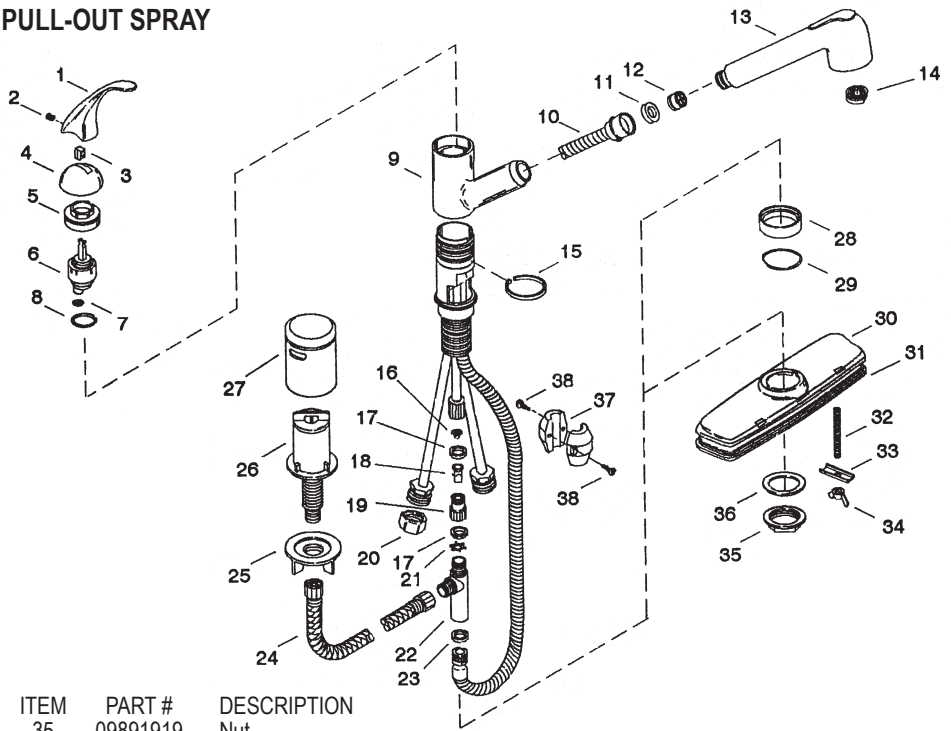
LOOK FOR US ON THE WEB AT: www.TMSSouth.com

FAUCET REPAIR

KOHLER CORALAIS SINK FAUCET W/ PULL-OUT SPRAY

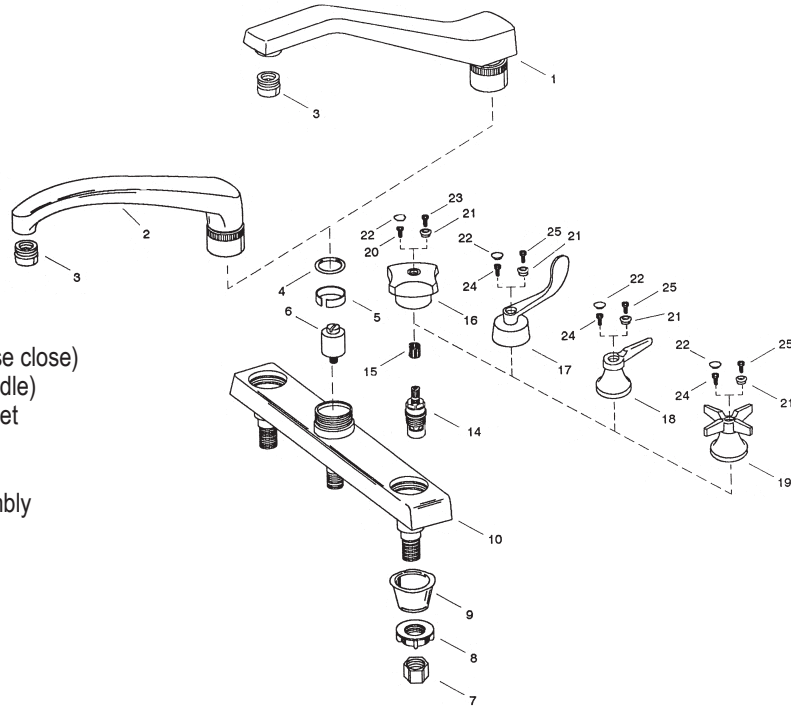
ITEM	PART #	DESCRIPTION
1-3	40140314	Lever handle kit
4	40121076	Cap, molded chrome
5	40121077	Bonnet
6	40140122	Valve kit (items 6 & 7, 2 of item 8)
7-8	40140316	Washer kit
9		Hub insert assembly
10	09896230	Hose
11	09896232	Gasket
12	09896234	Restrictor, backflow
12-14	09896240	Spray - white
14	09896236	Aerator
15	09896238	Bearing - spout
16		Flow control
17		Washer
18		Check valve duckbill
19		Check valve fitting
20		Coupling nut
23	40140442	Washer
24		Hose
25		Nut
26		Vacuum breaker
27		Cover
28		Escutcheon shank
29	40950083	O-ring
30		Shroud
31		Undercover
32		Stud
33		Channel
34		Wing nut

ITEM	PART #	DESCRIPTION
35	09891919	Nut
36	09891930	Washer
37		Weigh, lead
38		Screw



KOHLER TRITON K-7827, K-7832 KITCHEN FAUCET W/SPRAY

ITEM	PART #	DESCRIPTION
1		Spout assembly (9-1/2")
2	40140376	Spout assembly (8")
3	40110016	Aerator
4	40950036	O-ring
5	40140375	Lower bushing
6	NLA	Diverter
7	40800454	Nut
8	40140346	Nut
9	09892100	Washer
10		Valve body
14	40140003	Ceramic valve (clockwise close)
	40170016	Ceramic valve (counter clockwise close)
15	40140159	Spline adapter (not for wrist handle)
16	40140463	Polished chrome handle & bonnet
17	40140488	Wrist blade handle assembly
18	40140487	Lever handle
19	40140486	4-Prong handle & bonnet assembly
20	09896202	Handle screw
21	40140373	Button cap - blue
	40140374	Button cap - red
22	40140372	Button cap - chrome
23	50100033	Screw
24	50100033	Screw
25	09896212	Screw



**TOTAL
MAINTENANCE
SOLUTIONS**

HOUSTON
800/392-5066

ORLANDO
800/327-3022

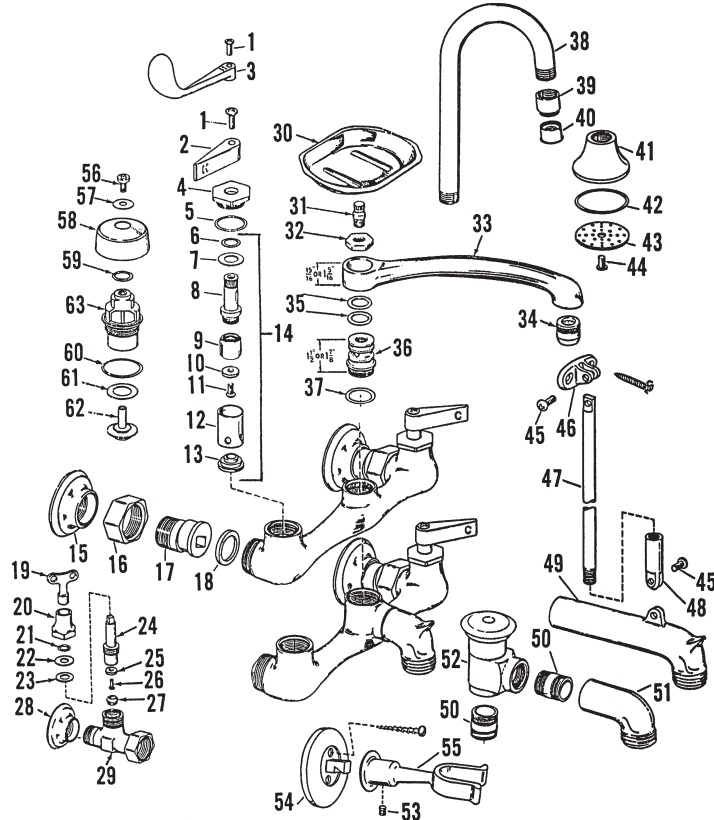
GREENVILLE
800/476-2212

LOOK FOR US ON THE WEB AT: www.TMSSouth.com

FAUCET REPAIR

**KOHLER WALL MOUNT FITTINGS K-8904, K-8905-06, K-8924-27, K-8928-29
HOSPITAL SINK FITTINGS K-13583-85, K-13595-96**

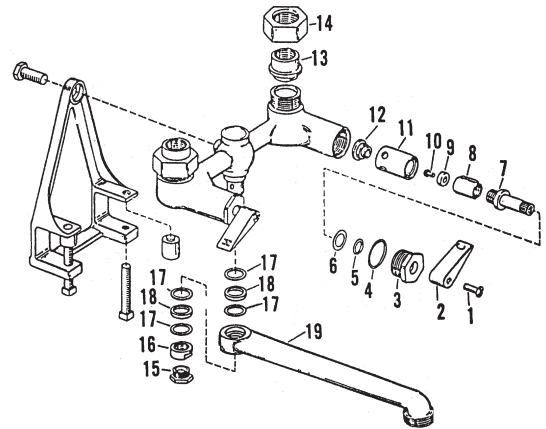
ITEM	PART #	DESCRIPTION
1	40700508	Handle screw
2	40140124	Handle – hot
	40140123	Handle – cold
3	09892647	4" Wrist handle – hot
	09892646	4" Wrist handle – cold
	09892649	6" Wrist handle – hot
	09892648	6" Wrist handle – cold
4	09892160	Bonnet
5	40950037	O-Ring
6	40950023	O-Ring
7	40140031	Washer
8	40140158	Stem – hot
	40140150	Stem – cold
9	40140178	Plunger – hot
	40140105	Plunger – cold
	40140108	Brass plunger – hot
	40140322	Brass plunger – cold
10	40110118	Seat washer
11	40140321	Screw
12	40150081	Sleeve
13	40140173	Renewable seat
14	40140011	Stem assy. – hot
	40140134	Stem assy. – cold
	40140035	Stem assy. – cold w/ brass plunger
	40140034	Stem assy. – hot w/ brass plunger
15		Flange
16	09892596	Coupling nut
17		Eccentric shank
18	40140052	Washer
19	09891722	Key
20		Bonnet nut
21	40950048	O-Ring
22	09892550	Washer
23	09892508	Washer
24	09891622	Stem
25	40110118	Seat washer
26	50100009	Screw
27	40140113	Seat
28		Flange
29		Body
19-29	09891590	Loose key stop assy.
30	09892320	Soap dish
31	09892180	Post
32	09892190	Nut
33	40140324	Spout w/ aerator 15/16"
	40140369	Spout w/ aerator 1-5/16"
34	40110124	Spout aerator
35	40950028	O-Ring



ITEM	PART #	DESCRIPTION	ITEM	PART #	DESCRIPTION
36		Spout post 1-1/2" or 1-7/8"	50	40900337	Nipple
37	40950026	O-Ring	51		Spout
38	09892272	Low spout (K-13583-84)	52	09890776	Vacuum breaker
	09891808	High spout (K-13585-95-96)	53		Set screw
39	09891956	Adapter	53-55		Wall hook S/A
40	NLA	Aerator	56	09893912	Screw
41		Body	57	09893665	Washer
42		Gasket	58	40140121	Hood
43		Spray face	59	40950023	O-Ring
44		Screw	60	09893510	Gasket
42-44	09891574	Spray face S/A	61	40211478	Gasket
41-44	09891258	Spray face S/A	62	40140188	Check plunger
45-48		Rod S/A	56-62	40140121	Check valve kit
49		Spout	63	09892880	Check guide sub assy.

KOHLER LAUNDRY TRAY FITTING K-8950, K-8955

ITEM	PART #	DESCRIPTION	ITEM	PART #	DESCRIPTION
1	40700508	Handle screw	11	40150081	Sleeve
2	40140124	Handle – hot	12	40140173	Renewable seat
	40140123	Handle – cold	5-12	40140011	Stem assy. – hot
3	09892160	Bonnet		40140134	Stem assy. – cold
4	40950037	O-Ring	13		Union joint
5	40950023	O-Ring	14	40140341	Union nut
6	40140031	Washer	15-18	09891565	Spout nut & packing kit
7	40140158	Stem – hot	17	09892578	Washer
	40140150	Stem – cold	19		Spout
8	40140105	Plunger – hot			
	40140178	Plunger – cold			
9	40110118	Seat washer			
10	40140321	Screw			



TOTAL MAINTENANCE SOLUTIONS

HOUSTON
800/392-5066

ORLANDO
800/327-3022

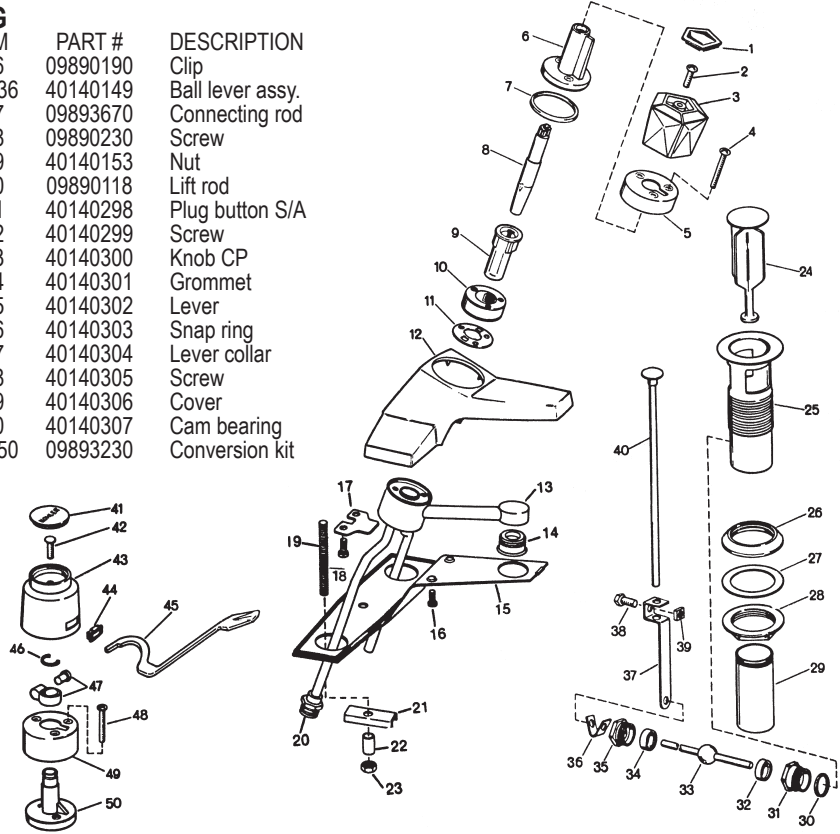
GREENVILLE
800/476-2212

LOOK FOR US ON THE WEB AT: www.TMSSouth.com

FAUCET REPAIR

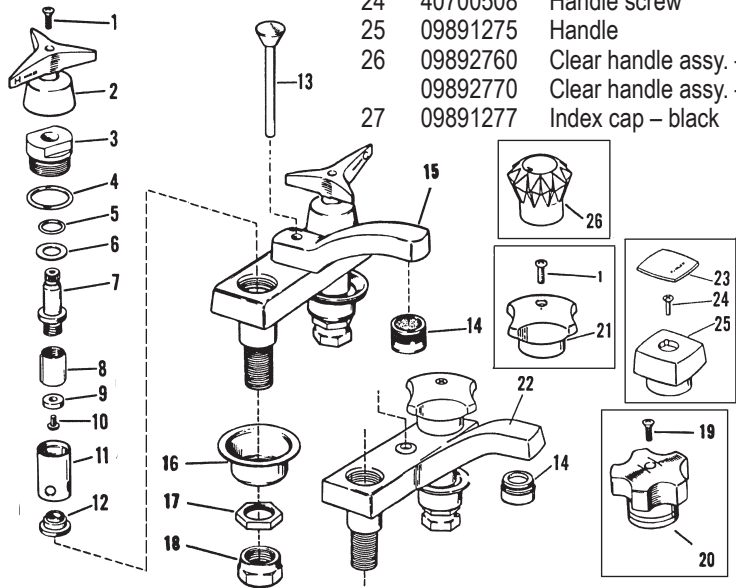
KOHLER K-6882 & K-6883 CENTURA FITTING

ITEM	PART #	DESCRIPTION	ITEM	PART #	DESCRIPTION
1	40140310	Index button - clear	36	09890190	Clip
2	40140311	Handle screw	30-36	40140149	Ball lever assy.
3	40140312	Clear acrylic handle	37	09893670	Connecting rod
	09893320	Amber acrylic handle	38	09890230	Screw
4	40140305	Screw	39	40140153	Nut
5	40140306	Cam cover	40	09890118	Lift rod
6	40140382	Cam bearing	41	40140298	Plug button S/A
7	40950077	Gasket	42	40140299	Screw
8-11	40140001	Cam & sleeve kit	43	40140300	Knob CP
9	09893270	Sleeve	44	40140301	Grommet
9-11	09893260	Cartridge/sleeve/gasket	45	40140302	Lever
11	09893240	Gasket	46	40140303	Snap ring
12		Metal shroud	47	40140304	Lever collar
13		Body	48	40140305	Screw
14	40110124	Aerator	49	40140306	Cover
15		Underbody cover	50	40140307	Cam bearing
16		Screw	41-50	09893230	Conversion kit
17		Strap			
18	50100009	Screw			
24	40140131	Stopper			
25	09892486	Drain body			
26	40140060	Gasket			
27	40140059	Washer			
28	09890448	Locknut			
29	40801066	Tailpiece			
30	40140148	Gasket			
31	09890450	Bonnet			
32	09890470	Washer			
33	09892505	Ball lever			
34	09890470	Washer			
35	40140149	Packing			



KOHLER TRITON & CONSTELLATION CENTRA FITTINGS K-6960, K-7401, K-7403-K-7406, K-7408-7409

ITEM	PART #	DESCRIPTION	ITEM	PART #	DESCRIPTION
1	50100002	Handle screw	20	09892080	Handle - cold
2	40140319	Handle - cold			Handle - hot
	40140320	Handle - hot	21	40140013	Handle - cold
3	40140008	Bonnet		40140012	Handle - hot
4	40950037	O-Ring	22		Body (Triton II)
5	40950023	O-Ring	23	09891276	Index cap - white
6	40140031	Washer	24	40700508	Handle screw
7	40140150	Hot & cold stem (used with item 20)	25	09891275	Handle
	40140158	Cold stem	26	09892760	Clear handle assy. - cold
8	40140178	Hot & cold plunger (use w/ #40140150)		09892770	Clear handle assy. - hot
	40140105	Cold plunger	27	09891277	Index cap - black
9	40110118	Seat washer			
10	40140321	Screw			
11	40150081	Sleeve			
12	40140173	Renewable seat			
5-12	40140011	Hot & cold stem assy. (plastic)			
	40140134	Cold stem assy. (plastic)			
	40140034	Hot stem assy (brass)			
	40140035	Cold stem assy (brass)			
13	09893680	Lift rod			
14	40110124	Aerator			
15		Body			
16	09892100	Spacer			
17	40140042	Locknut			
18	09891784	Coupling nut			
19	50100033	Screw			



**TOTAL
MAINTENANCE
SOLUTIONS**

HOUSTON
800/392-5066

ORLANDO
800/327-3022

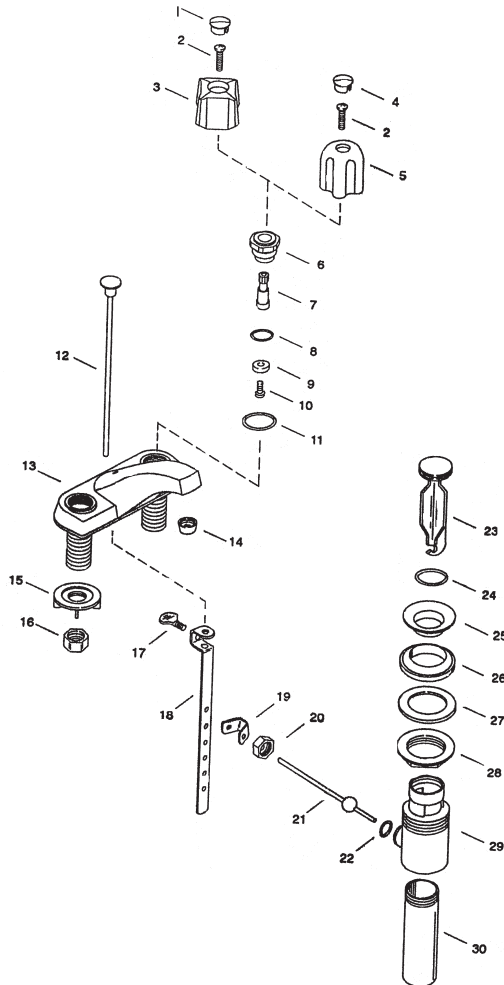
GREENVILLE
800/476-2212

LOOK FOR US ON THE WEB AT: www.TMSSouth.com

FAUCET REPAIR

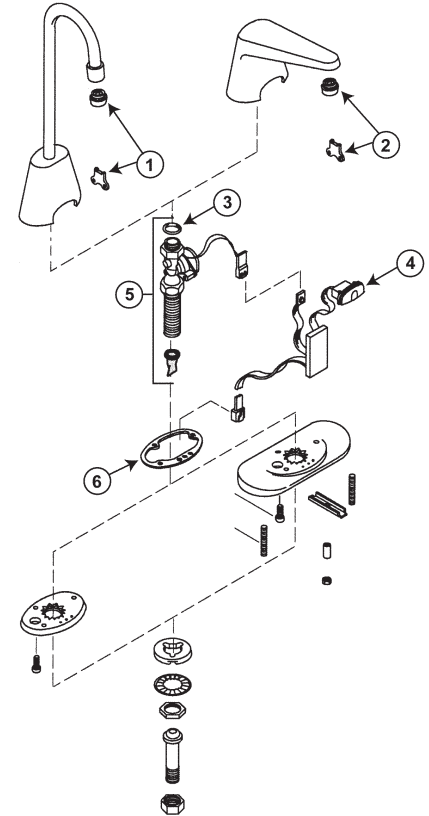
KOHLER TREND LAVATORY K-11800 SERIES

ITEM	PART #	DESCRIPTION
1	40140151	Index button – blue
	40140187	Index button – red
2	50100009	Handle screw
3	40140142	Chrome handle – old style
4	09893945	Plug button – red
	09893950	Plug button – blue
5	40140126	Chrome handle – new style
6-11	40140010	Cold stem assembly
	40140005	Hot stem assembly
8	40950022	Stem o-ring
9	40110118	Seat washer
10	50100009	Bibb screw
11	40140331	Washer
12	09890405	Lift Rod
14	40110132	Aerator
18	40995020	Extension strap w/ screw
19	09890190	Spring clip
20		Nut
21	09896244	Rod assembly
22	09896246	Ball lever seat
23	40140190	Stopper w/ o-ring
24	40950064	O-ring



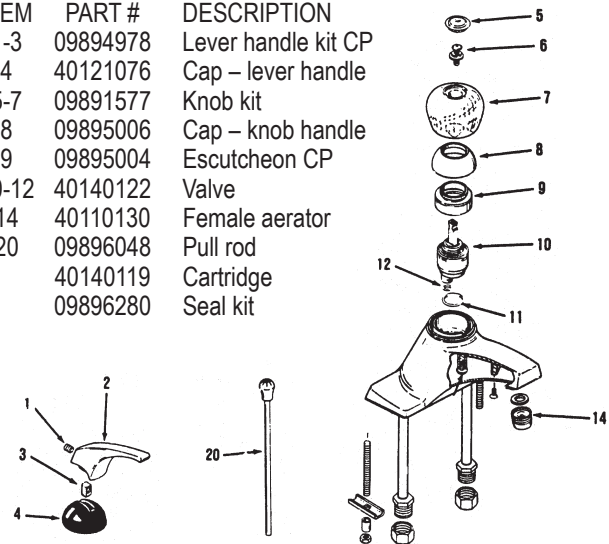
KOHLER TOUCHLESS ELECTRONIC FAUCET

ITEM	PART #	DESCRIPTION
1	40110166	V.P. aerator with wrench
2	45972020	V.P. aerator with wrench
3		O-ring
4	09896248	Sensor
5	09896250	Valve assembly
6		Gasket



KOHLER CORALAIS K-15181 FITTING

ITEM	PART #	DESCRIPTION
1-3	09894978	Lever handle kit CP
4	40121076	Cap – lever handle
5-7	09891577	Knob kit
8	09895006	Cap – knob handle
9	09895004	Escutcheon CP
10-12	40140122	Valve
14	40110130	Female aerator
20	09896048	Pull rod
	40140119	Cartridge
	09896280	Seal kit



**TOTAL
MAINTENANCE
SOLUTIONS**

HOUSTON
800/392-5066

ORLANDO
800/327-3022

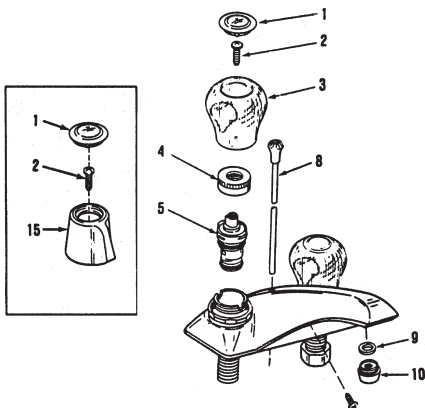
GREENVILLE
800/476-2212

LOOK FOR US ON THE WEB AT: www.TMSSouth.com

FAUCET REPAIR

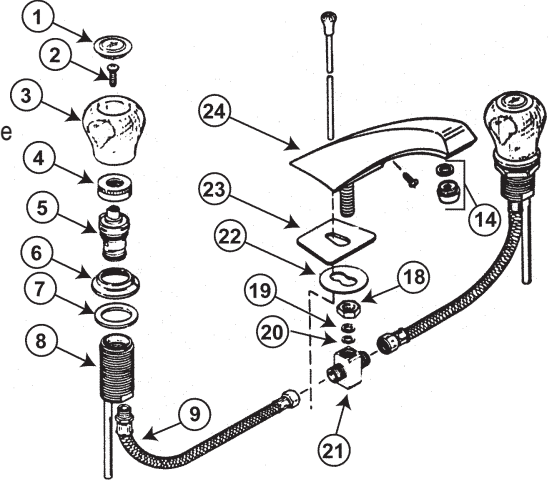
KOHLER CORALAIS K-15240-41 FITTING

ITEM	PART #	DESCRIPTION
1	40140271	Plug buttons (hot & cold)
1-3	40140465	Handles (hot & cold)
4	09896058	Bonnets (2)
5	40140269	Valve assembly hot & cold
	40140464	Valve assembly cold (lever handle)
8	09896048	Lift rod
9-10	09891436	Aerator – female
	09891435	Aerator – male
15	09896070	Handle kit – blade (hot & cold)



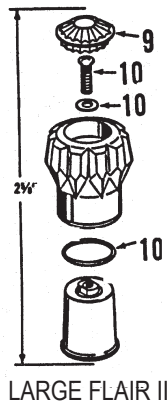
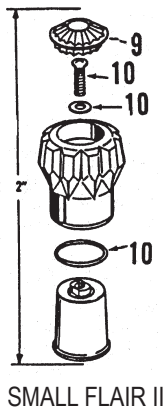
KOHLER CORALAIS K-12561 FITTING

ITEM	PART #	DESCRIPTION
1	09896002	Plug button – cold
	09896004	Plug button – hot
2	09895070	Handle screws (2)
3	09896020	Handle
4	09895060	Bonnet
5	40140269	Stem – hot & cold
	40140464	Stem – cold (lever handle)
6	09896024	Escutcheon
7	09896028	Bushing
8		Valve body
9		Hoses
14	40110016	Aerator – female
	40110144	Aerator – male
18		Nut
19	40140096	Washer
20	40140097	Gasket
21		Tee
22		Washer
23		Gasket
24		Spout



KOHLER FLAIR II HANDLES – NEW STYLE

ITEM	SMALL PART #	LARGE PART #	DESCRIPTION
9	09891638	09891636	Index cap – pair hot & cold
10	09891632	09891634	Screw & washer kit (2 of each)
11	40140313	40140272	Handle kit CP – pair hot & cold



Did You Know?

There is the same amount of water on Earth as there was when the Earth was formed. The water from your faucet could contain molecules that dinosaurs drank!



TOTAL MAINTENANCE SOLUTIONS

HOUSTON
800/392-5066

ORLANDO
800/327-3022

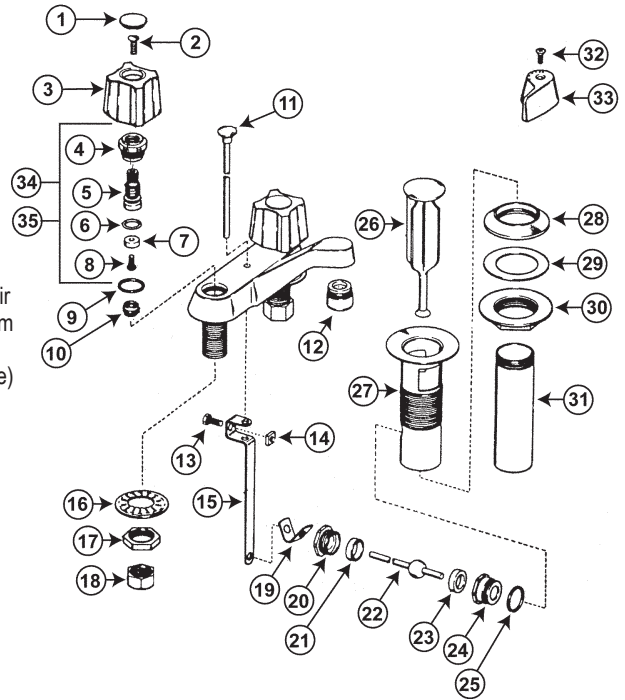
GREENVILLE
800/476-2212

LOOK FOR US ON THE WEB AT: www.TMSSouth.com

FAUCET REPAIR

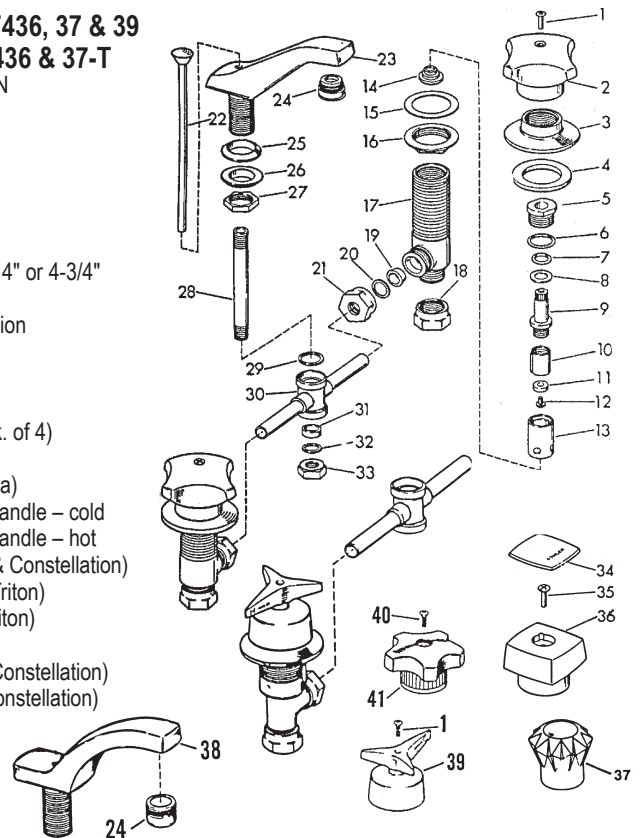
KOHLER TREND & SHOREHAM FITTINGS K-10800, K-11800, K-11800-PH AND K-11800-B

ITEM	PART #	DESCRIPTION	ITEM	PART #	DESCRIPTION
1	40140151	Index button – blue	21	09890470	Bearing
	40140187	Index button – red	22	09892505	Ball lever
2	50100009	Screw	23	09890470	Bearing
3	40140329	Clear acrylic handle	24	09890450	Ball socket
	09890760	Charcoal acrylic handle	25	40140148	Gasket
	40140142	Chrome handle	26	09891560	Stopper
4	40140330	Bonnet	27	09892486	Drain body
	40140378	Bonnet for cold lever handle	28	40140060	Gasket
5	40140462	Stem	29	40140059	Washer
	40140461	Stem – cold lever handle	30	09890448	Locknut
6	40950022	O-ring	31	40801066	Tailpiece
7	40110118	Seat washer	32	50100033	Screw
8	50100009	Screw	33	40140473	Handle – pair
9	40140331	Washer	34	40140005	Hot/cold stem
10	40140102	Renewable seat	35	40140010	Cold stem (lever handle)
11	09890405	Lift rod			
12	40110124	Aerator			
13	09890230	Screw			
14	40140153	Nut			
15	09893670	Connecting link			
16	09891835	Washer			
17	40140042	Locknut			
18	09891784	Coupling nut			
19	09890190	Clip			
19-25	40140149	Ball lever assembly			
20	09890460	Socket nut			



**KOHLER TRITON & CONSTELLATION FITTINGS K-7416, 17, 19, K-7436, 37 & 39
ALTERNA, FLAIR & TRITON II K-6952, K-6955, K-7436 & 37-FL, K-7436 & 37-T**

ITEM	PART #	DESCRIPTION	ITEM	PART #	DESCRIPTION
1	50100002	Handle screw	21	09891784	Coupling nut
2	40140015	Handle – cold	22	09893680	Lift rod
	40140014	Handle – hot	23		Spout
3	09892140	Escutcheon	24	40110144	Aerator
4	09892270	Washer	25, 26	09891840	Washer
5	40140007	Bonnet	27	09891841	Locknut
6	40950038	O-ring	28		Lift rod sleeve 4" or 4-3/4"
7	40950023	O-ring	29	40140056	Gasket
8	40140031	Washer	30	09892300	Cross connection
9	40140150	Stem – hot & cold	31	40140157	Packing
	40140158	Stem – cold	32	09892120	Friction ring
10	40140105	Plunger – h/c (plastic)	33	09892150	Locknut
	40140178	Plunger – cold (plastic)	34	09891286	Index caps (pk. of 4)
11	40110118	Seat washer	35	40700508	Handle screw
12	40140321	Screw	36	09891278	Handle (Alterna)
13	40150081	Sleeve	37	40140116	Clear acrylic handle – cold
14	40140173	Renewable seat		09892759	Clear acrylic handle – hot
7-14	40140011	Stem assembly (h/c)	38		Spout (Triton & Constellation)
	40140134	Stem assembly (cold)	39	09892656	Cold handle (Triton)
	40140034	Brass stem assembly (cold)		09892657	Hot handle (Triton)
	40140035	Brass stem assembly (hot)	40	50100033	Handle screw
15	09891670	Washer	41	09891056	Cold handle (Constellation)
16	09891955	Locknut		09891058	Hot handle (Constellation)
17		Valve body			
18	09891784	Coupling nut			
19	09890320	Slip joint washer			
20	09890330	Friction washer			



**TOTAL
MAINTENANCE
SOLUTIONS**

HOUSTON
800/392-5066

ORLANDO
800/327-3022

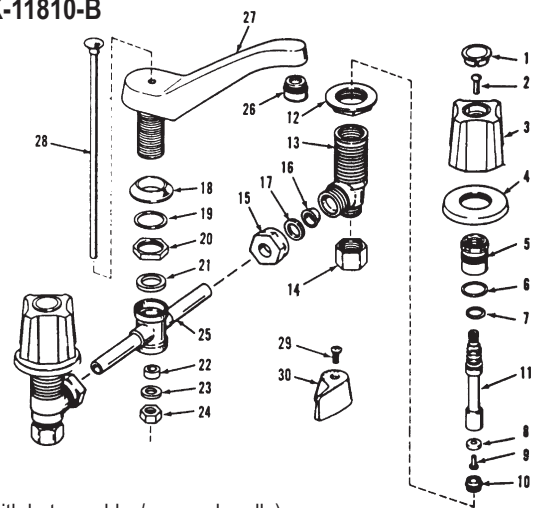
GREENVILLE
800/476-2212

LOOK FOR US ON THE WEB AT: www.TMSSouth.com

FAUCET REPAIR

KOHLER TREND WIDESPREAD LAVATORY FITTING K-11810, K-11810-PH, K-11810-B

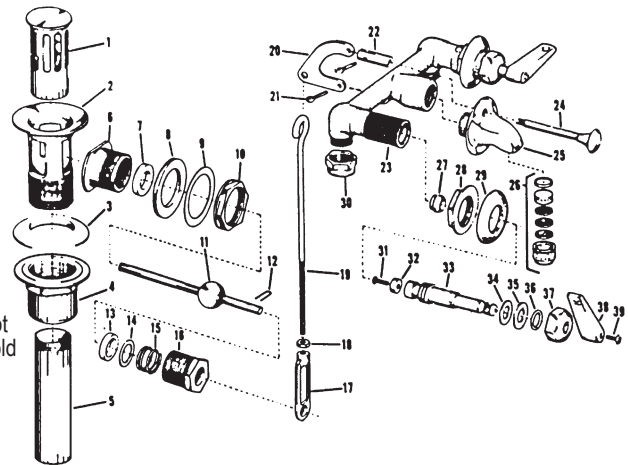
ITEM	PART #	DESCRIPTION	ITEM	PART #	DESCRIPTION
1	40140151	Index button – blue	14	09891784	Coupling nut
	40140187	Index button – red	15	09891784	Coupling nut
2	50100009	Screw	16	09890320	Slip joint washer
	09890744	Handle screw (acrylic)	17	44728016	Friction washer
3	40140329	Clear acrylic handle (small)	18	09891840	Washer
	40140142	Chrome handle (small)	19		Friction washer
	40140263	Clear acrylic handle (large)	20	09891841	Locknut
	40140176	Chrome handle (large)	21	40140056	Gasket
4	09891438	Flange	22	40140157	Packing
5*	09890420	Bonnet	23	09892120	Friction ring
	09890422	Bonnet for cold lever handle	24	09892150	Locknut
6*	09890410	Washer	25		Cross connection
7*	40950022	O-ring	26	40110124	Aerator
8*	40110118	Seat washer	27		Spout
9*	50100009	Screw	28	09890405	Lift rod
10	40140102	Renewable seat	29	50100033	Handle screw
11*	09890424	Stem	30	09891524	Shoreham lever handle
	09890426	Stem – cold lever handle			
12		Locknut			
13		Body			



* Cold stem assembly #40140138 (LH – use only with lever handle)
 * Hot stem assembly #40120175 (RH – use with hot or cold w/ square handle)

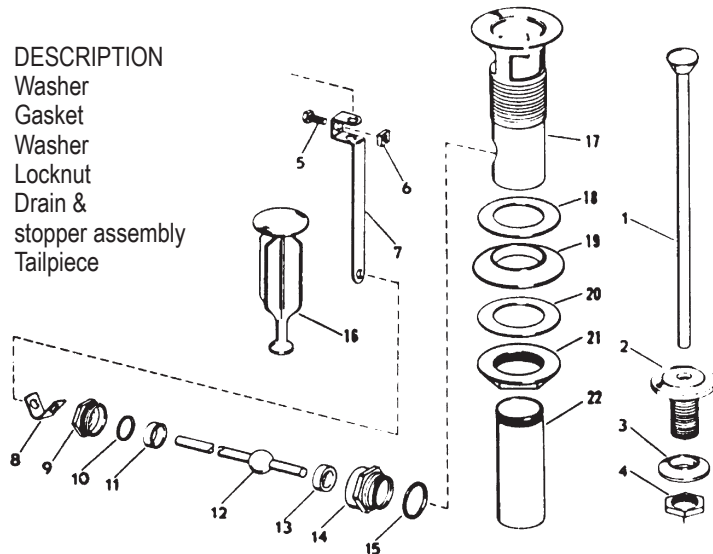
KOHLER SHELF BACK FITTING K-8115-A

ITEM	PART #	DESCRIPTION	ITEM	PART #	DESCRIPTION
1	09891600	Stopper	22	NLA	Valve body
2	09894900	Strainer body	23		Push rod
3	40140060	Gasket	24	09892158	Spout
4	09891954	Nut	25		Aerator
5	40801066	Tailpiece	26	40110144	Renewable seat
6	09891918	Spud	27	40140113	Nut
7	09891940	Packing	28	09894910	Flange
8	09891820	Washer	29	09892157	Nut
9	09891930	Friction ring	30	09891784	Nut
10	09891919	Nut	31	50100009	Screw
11	09891950	Ball lever	32	40110118	Seat washer
12	09891900	Lock pin	33	43401031	Stem/washer/screw – hot
13	09894902	Packing		43401032	Stem/washer/screw – cold
14	09891890	Friction ring	34	09891820	Washer
15	09891870	Spring	35	09894912	Washer
16	09891879	Spring retainer	36	40950048	O-ring
17	09894904	Adjusting link	37	09891994	Bonnet Nut
18	09894906	Nut	38	40140123	Handle – cold
19	09894908	Lift rod		40140124	Handle – hot
20	09892232	Trip lever	39	40700508	Handle screw
21		Cotter pin			



KOHLER SYNCHRO POP-UP DRAIN PARTS K-7701

ITEM	PART #	DESCRIPTION	ITEM	PART #	DESCRIPTION
1	09890405	Lift rod	18	40140059	Washer
2-4	09890476	Flange & nut assembly	19	40140060	Gasket
5	09890230	Screw	20	40140059	Washer
6	40140153	Nut	21	09890448	Locknut
7	09893670	Connecting rod	16-21	09890380	Drain & stopper assembly
8	09890190	Clip	22	40801066	Tailpiece
9	09892489	Packing nut			
10	09892500	Washer			
11	09892490	Packing			
12	09890464	Ball lever			
13	09892490	Packing			
14	09892488	Housing			
15	40140148	Gasket			
8-15	09892505	Ball lever assembly			
16	40140131	Brass stopper			
17	09892486	Drain body			



**TOTAL
MAINTENANCE
SOLUTIONS**

HOUSTON
800/392-5066

ORLANDO
800/327-3022

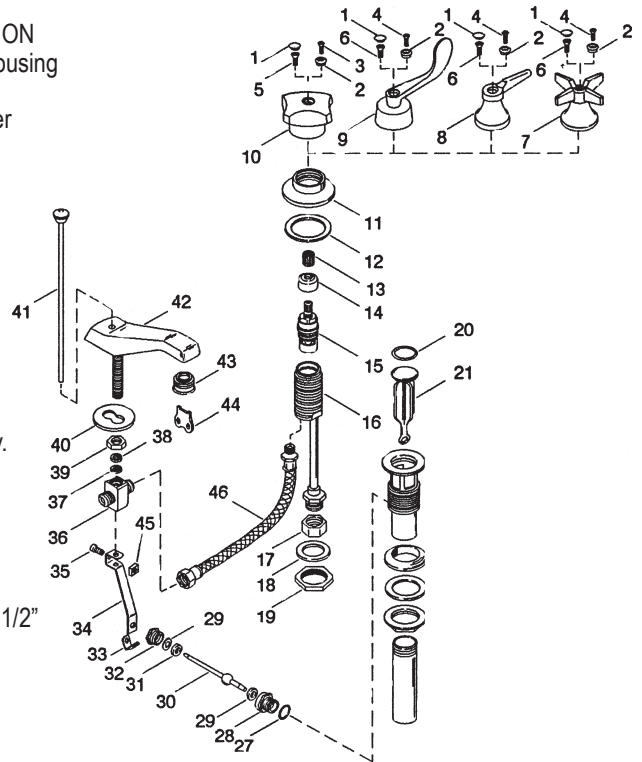
GREENVILLE
800/476-2212

LOOK FOR US ON THE WEB AT: www.TMSSouth.com

FAUCET REPAIR

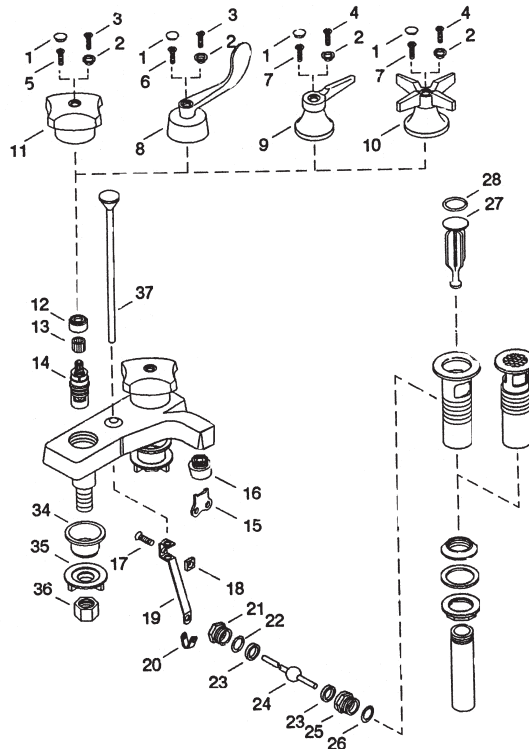
KOHLER TRITON WIDE SPREAD K-7474

ITEM	PART #	DESCRIPTION	ITEM	PART #	DESCRIPTION
1	40140372	Chrome plug button	28	09892489	Trip lever housing
2	40140374	Button cap – red	29	09892490	Washer
	40140373	Button cap – blue	30	40140149	Ball trip lever
3	50100033	Screw	31	09892500	Washer
4	09896212	Screw	32	38743	Nut
5	09896256	Screw, round head	33	09890190	Clip spring
6	50100009	Screw	34	09893670	Link
7	52640	4 - Arm handle and bonnet	35	09890230	Screw
8	52637	Lever handle, large bonnet assy.	36	40098	Supply tee
9	52926	Wrist handle w/bonnet	37	40140096	Washer
10	09896258	Handle and bonnet assy.	38	40140097	Gasket
11	09896260	Escutcheon	39	40014	Nut
12	09891970	Gasket	40	40015	Washer
13	40140159	Spline adapter (not for wrist handle)	41	09893680	Lift rod assy.
14	09896262	Stabilizer kit (2 ea)	42	73149-CP	Spout
15	40140003	Ceramic stem (clockwise close)	43-44	40110166	VP aerator w/wrench
	40170016	Ceramic stem (counterclockwise close)	45	40140153	Nut
16	40409	Valve body S/A – hot	46	09896268	Hose 1/4-18 x 16 1/2"
	40478	Valve body S/A – cold			
17	09891784	Nut			
18	40001	Washer			
19	40005	Nut			
20	40950064	O-ring			
21	40140131	Stopper w/o-ring			
27	40140148	Gasket			



KOHLER TRITON LAVATORY FAUCET K-7400 SERIES

ITEM	PART #	DESCRIPTION
1	40140372	Chrome plug button
2	40140374	Button cap – red
	40140373	Button cap – blue
3	09896210	Screw
4	09896212	Screw 8-32 X 3/4
5	09896202	Screw
6	50100009	Screw
7	50100009	Screw
8		Wrist handle & bonnet
9		Lever handle – small bonnet assy.
10		4 - arm handle & bonnet assy.
11	09896270	Chrome handle & bonnet assy.
12	09896262	Stabilizer kit (2 ea)
13	40140159	Spline adapter (not for wrist handle)
14	40140003	Ceramic valve (clockwise close – hot)
	40170016	Ceramic valve (counter clockwise close – cold)
15-16		VP aerator w/ wrench
17	09890230	Screw
18	40140153	Nut
19	09893670	Link
20	09890190	Clip spring
21		Nut
22	09892500	Washer
23	09892490	Washer
24	40140149	Ball lever
25	09892489	Trip lever housing
26	40140148	Gasket
27-28	40140131	Stopper w/ o-ring
28	40950064	O-ring
37	09893680	Connecting rod



**TOTAL
MAINTENANCE
SOLUTIONS**

HOUSTON
800/392-5066

ORLANDO
800/327-3022

GREENVILLE
800/476-2212

LOOK FOR US ON THE WEB AT: www.TMSSouth.com

FAUCET REPAIR

KOHLER K-7512 ARGYLE FAUCET (CROSS HANDLE) K-7513 WITH LEVER HANDLE

ITEM	PART #	DESCRIPTION
1	40700508	Handle screw
2	40140467	Handle – cold
	40140468	Handle – hot
	40140123	Lever handle – cold
	40140124	Lever handle – hot
3	09891762	Bonnet nut
4	40950048	O-Ring
5	09892550	Washer
6	09892508	Washer
7	43401012	Stem w/washer & screw
	43401012	Hot stem for lever handle
	43401011	Cold stem for lever handle
8	40110118	Seat washer
9	50100009	Screw
10	42000580	Renewable seat
11		Body
12	40800529	Washer
13	40800598	Brass locknut
14	40800454	Coupling nut

KOHLER K-7510 SENTINEL FAUCET

ITEM	PART #	DESCRIPTION
1	40700508	Handle screw
2	40140467	Cold handle
	40140468	Hot handle
3	09892160	Bonnet nut
4	40950037	O-Ring
5	40950023	O-Ring
6	40140031	Washer
7	40140150	Stem
8	40140105	Plunger w/washer & screw
9	40110118	Seat washer
10	40140321	Screw
11	40150081	Sleeve
12	40140173	Renewable seat
13		Body
14	40800529	Washer
15	40800598	Brass locknut
16	40800454	Coupling nut

KOHLER SENTRY SELF-CLOSING FAUCET

ITEM	PART #	DESCRIPTION
1	09894800	Index cap – cold
	09894801	Index cap – hot
2	40700517	Lock washer
3	40700516	Adjustable nut
4	40700515	Washer
5	40700514	Handle
6	40700513	Ball & frame assembly
7	09894810	Bonnet
8	40950037	O-Ring
9	40950020	O-Ring
10	40700528	Washer
11	40700509	Spring
12	09894812	Stem w/washer & screw
13	40110118	Seat washer
14	50100009	Screw
15	40700530	Sleeve
16	40140173	Renewable seat
17		Body
18	09891835	Washer
19	40140042	Locknut
20	09891784	Coupling nut

KOHLER K-7504 SIGNAL PUSH-BUTTON SELF-CLOSING FAUCET

ITEM	PART #	DESCRIPTION
1	09894820	Screw
2	09894822	Push button – plain
3	09894826	Lock ring
4	09894828	Sleeve
5	09894824	Spring
6	40950037	O-Ring
7	40950049	O-Ring
8	09891960	Seat washer
9	40950019	O-Ring
10	09894836	Lock washer
11	09894838	Cup washer
12	09894840	Washer
13	09894842	Pin
14	09894844	Coupling nut
15	09894846	Dash pot
16	09894848	Washer
17	09894850	Screen
18	09894852	Screen retainer
19	09894852	Screen retainer
20	40140063	Valve rebuild kit
21	09894832	Barrel
22	09894834	Stem & seat
23	09891835	Washer
24	40140042	Lock nut
25	09891784	Coupling nut



**TOTAL
MAINTENANCE
SOLUTIONS**

HOUSTON
800/392-5066

ORLANDO
800/327-3022

GREENVILLE
800/476-2212

LOOK FOR US ON THE WEB AT: www.TMSSouth.com

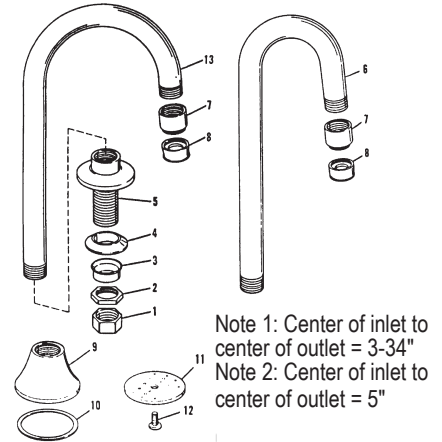
FAUCET REPAIR

KOHLER HOSPITAL LAVATORY FITTINGS K-13341, K-13343, K-13388, K-13375

ITEM	PART #	DESCRIPTION	ITEM	PART #	DESCRIPTION
1	40700508	Handle screw	28	09892150	Locknut
2	09892680	4" Wrist handle – cold	29	09892271	Spout
	09892690	4" Wrist handle – hot	30	09891956	Adapter
3	09892140	Escutcheon	31	09892350	Aerator
4	09892270	Washer	32	09893680	Lift rod
5	40140007	Bonnet	33		Spout body
6	40950038	O-Ring	34		Lift rod sleeve
7	40950023	O-Ring	35		Cross connection
8	40140031	Washer	36	40140056	Gasket
9	40110118	Seat washer	37		Cross connection
10	40140321	Screw	38	40140056	Gasket
11	40140173	Renewable seat	39	09892296	Clamping nut
12	40140150	Stem – hot			
	40140158	Stem – cold			
13	40140322	Plunger – cold			
	40140108	Plunger – hot			
14	40150081	Sleeve			
7-14	40140034	Stem assy.- cold			
	40140035	Stem assy.- hot			
15	09891670	Washer			
16	09891955	Locknut			
17		Valve body			
18	09891784	Coupling nut			
19	09891784	Coupling nut			
20	09890330	Friction washer			
21	09890320	Slip joint washer			
22	09891840	Washer			
23	09891840	Washer			
24	09891841	Locknut			
25	40140056	Gasket			
26	40140157	Packing ring			
27	09892120	Friction ring			

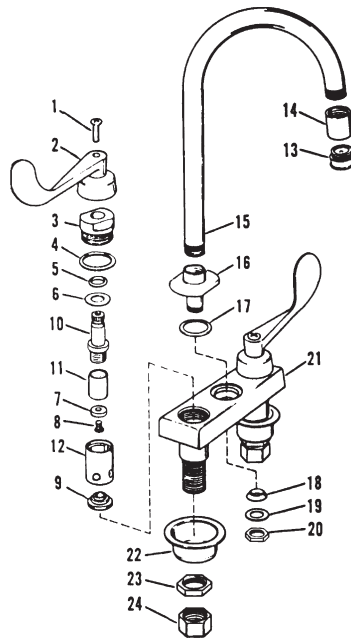
KOHLER LAVATORY GOOSENECK SPOUTS

ITEM	PART #	DESCRIPTION
1	09891784	Coupling nut
2	40140042	Locknut
3	09892130	Sleeve
4	09891840	Washer
5	09892204	Shank
6	09892274	Spout (note 1)
7	09891956	Adapter
8	09892350	Aerator
9-12	09891258	Spray assembly
10-12	09891574	Spray face
13	09891962	Spout (note 2)



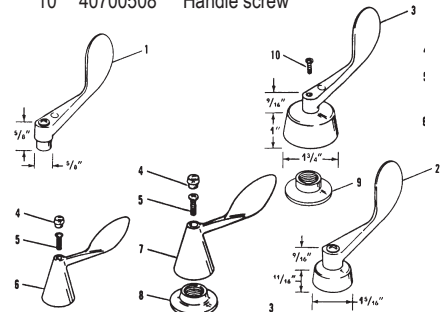
KOHLER K-13358 HOSPITAL LAVATORY FITTING

ITEM	PART #	DESCRIPTION
1	40700508	Handle screw
2	09892670	4" Wrist handle – hot
	09892660	4" Wrist handle – cold
3	40140008	Bonnet
4	40950038	O-Ring
5	40950023	O-Ring
6	40140031	Washer
7	40110118	Seat washer
8	40140321	Screw
9	40140173	Renewable seat
10	40140158	Stem – hot
	40140150	Stem – cold
11	40140322	Plunger – cold
	40140108	Plunger – hot
12	40150081	Sleeve
5-12	40140034	Stem assy.- cold
	40140035	Stem assy.- hot
13	45972008	Aerator
14	09892170	Adapter
15	09892634	Spout
16	09892206	Adapter
17-20	09891568	Spout attachment kit
21		Body
22	09892100	Spacer
23	40140042	Locknut
24	40800454	Coupling nut



KOHLER WRIST HANDLES

ITEM	PART #	DESCRIPTION
1	09892646	4" wrist handle – cold
	09892647	4" wrist handle – hot
	09892648	6" wrist handle – cold
	09892649	6" wrist handle – hot
2	09892660	4" wrist handle w/ cover – cold
	09892670	4" wrist handle w/ cover – hot
	09892672	6" wrist handle w/ cover – cold
	09892674	6" wrist handle w/ cover – hot
3	09892680	4" wrist handle w/ cover – cold
	09892690	4" wrist handle w/ cover – hot
	09892692	6" wrist handle w/ cover – cold
	09892694	6" wrist handle w/ cover – hot
4	40140155	Plug button – Hot
	40140156	Plug button – Cold
5	09891567	Handle screws (2)
6	09891602	Handle kit – pair H & C
7	09891604	Handle kit – pair H & C
8	09891606	Escutcheons (2) – large Finesse handles
9	09891608	Escutcheons (2) – wrist handle w/ large skirt
10	40700508	Handle screw



TOTAL MAINTENANCE SOLUTIONS

HOUSTON
800/392-5066

ORLANDO
800/327-3022

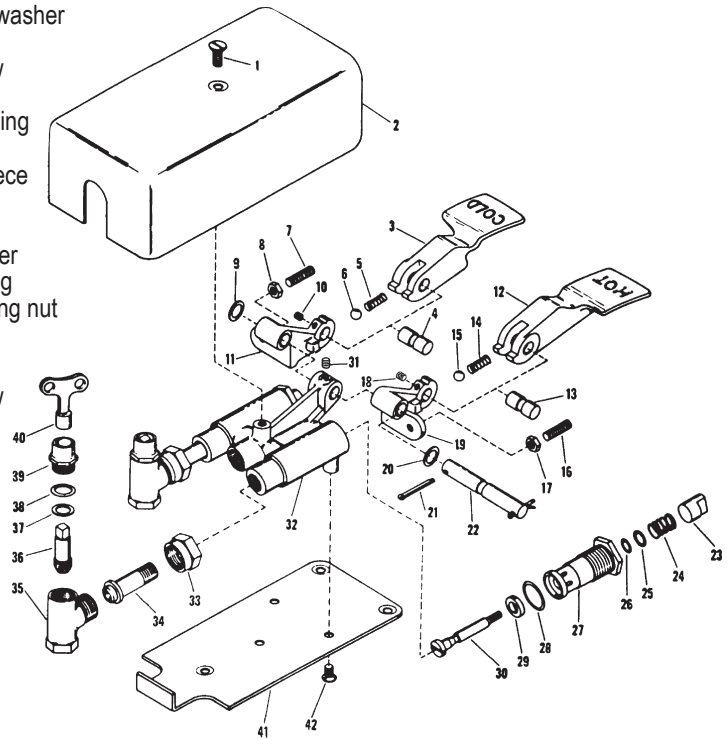
GREENVILLE
800/476-2212

LOOK FOR US ON THE WEB AT: www.TMSSouth.com

FAUCET REPAIR

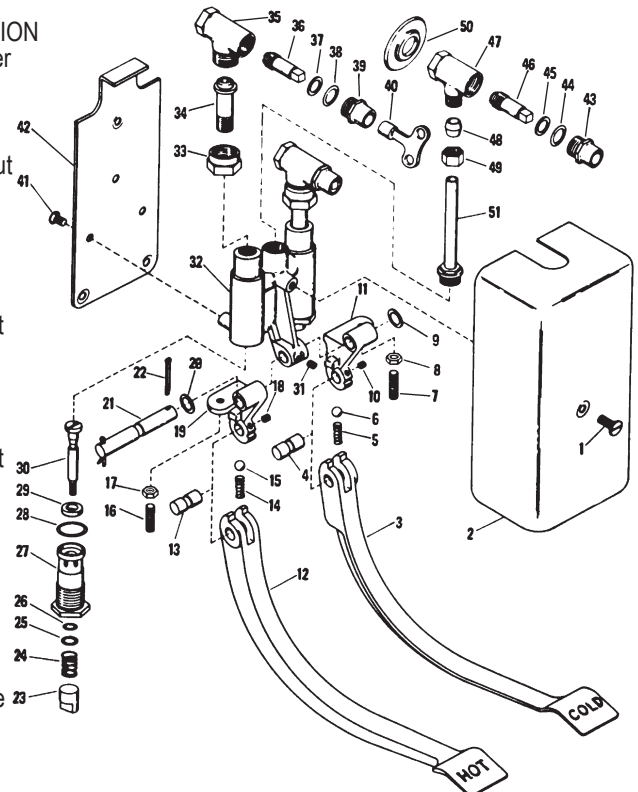
KOHLER FLOOR MOUNTED PEDAL VALVE

ITEM	PART #	DESCRIPTION	ITEM	PART #	DESCRIPTION
1	09894674	Screw	29	40140291	Seat washer
2	09894673	CP cover	30	09894653	Stem
3	09894686	Cold pedal	31	09894664	Screw
4	09894665	Pin	32		Body
5	09894667	Spring	33	09891784	Coupling nut
6	09894668	Ball	34	09894675	Tailpiece
7	09894662	Screw	35		Body
8	09894648	Nut	36	09894680	Stem
9	09894654	Washer	37	09891782	Washer
10	09894666	Screw	38	40950048	O-Ring
11	09894659	Lever	39	09892038	Packing nut
12	09894688	Hot pedal	40	09891722	Key
13	09894665	Pin	41		Base
14	09894667	Spring	42	09894671	Screw
15	09894668	Ball			
16	09894662	Screw			
17	09894648	Nut			
18	09894666	Screw			
19	09894659	Lever			
20	09894654	Washer			
21	40140046	Cotter pin			
22	09894661	Shaft			
23	09894652	Push button			
24	09894657	Spring			
25	09894656	Washer			
26	41001001	O-Ring			
27	09894650	Sleeve			
28	40950029	O-Ring			



KOHLER FOOT CONTROL MIXING VALVE

ITEM	PART #	DESCRIPTION	ITEM	PART #	DESCRIPTION
1	09894674	Screw	29	40140291	Seat washer
2	09894673	CP cover	30	09894653	Stem
3	09894669	Cold pedal	31	09894664	Screw
4	09894665	Pin	32		Body
5	09894667	Spring	33	09891784	Coupling nut
6	09894668	Ball	34	09894675	Tailpiece
7	09894662	Screw	35		Body
8	09894648	Nut	36	09894680	Stem
9	09894654	Washer	37	09891782	Washer
10	09894666	Screw	38	40950048	O-Ring
11	09894659	Lever	39	09892038	Packing nut
12	09894670	Hot pedal	40	09891722	Key
13	09894665	Pin	35-40	09894682	Stop assy.
14	09894667	Spring	41	09894671	Screw
15	09894668	Ball	42		Body
16	09894662	Screw	43	09892038	Packing nut
17	09894648	Nut	44	40950048	O-Ring
18	09894666	Screw	45	09891782	Washer
19	09894660	Lever	46	09894680	Stem
20	09894654	Washer	47		Body
21	09894661	Shaft	48		Sleeve
22	40140046	Cotter pin	49		Nut
23	09894652	Push button	43-49	09894684	Stop assy.
24	09894657	Spring	50		CP flange
25	09894656	Washer	51		Supply tube
26	41001001	O-Ring			
27	09894650	Sleeve			
28	40950029	O-Ring			



**TOTAL
MAINTENANCE
SOLUTIONS**

HOUSTON
800/392-5066

ORLANDO
800/327-3022

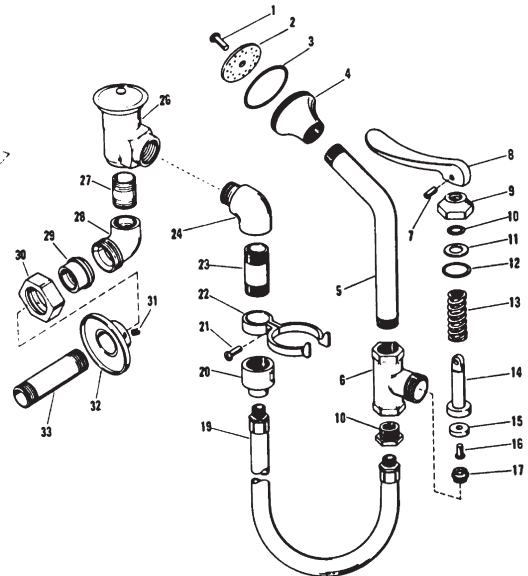
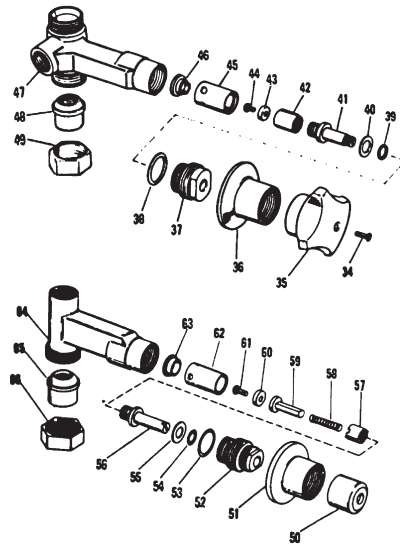
GREENVILLE
800/476-2212

LOOK FOR US ON THE WEB AT: www.TMSSouth.com

FAUCET REPAIR

KOHLER K-13931-T BUILT-IN BEDPAN WASHER

ITEM	PART #	DESCRIPTION
1	09893008	Screw
2	09892264	Spray face
3	40950076	O-Ring
4	09891594	Spray body
5		Nipple
6		Body
7	09892308	Pin
8	09892306	Handle
9	09892313	Bonnet
10	40950022	O-Ring
11	09892042	Washer
12	40700535	Gasket
13	40700509	Spring
14	09892307	Stem assy.
15	40110162	Seat washer
16	50100009	Screw
17	40140113	Renewable seat
6-17	09890116	Self-closing valve S/A
18	09891226	Bushing
19	09891227	Hose
20	09891224	Hose connection
21		Screw
22		Clamp
23		Nipple
24		Ell
26	09890776	Vacuum breaker
27		Nipple
28		Elbow
29		Ground joint CP
30	40140341	Union nut CP
31		Set screw
32		Flange
33		Nipple
34	09893930	Handle screw
35	09893037	Handle

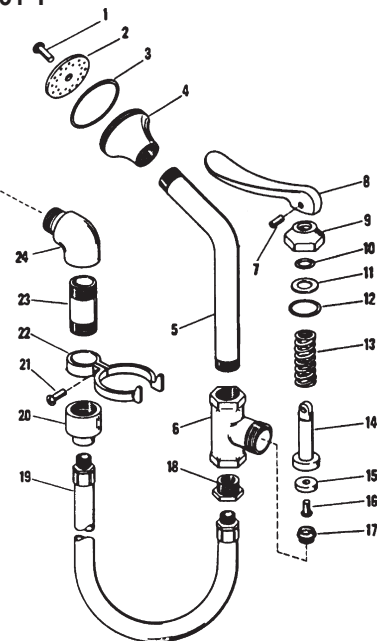
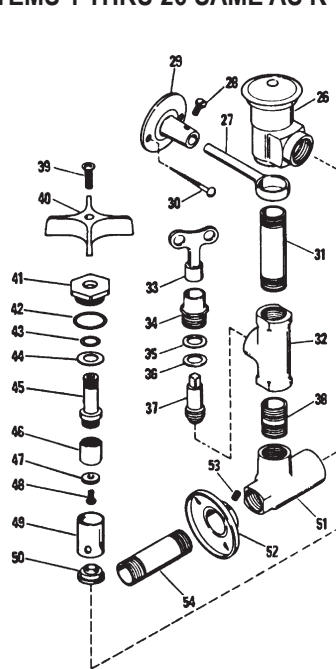


ITEM	PART #	DESCRIPTION
36	40140167	Escutcheon
37	40140009	Bonnet
38	40950037	O-Ring
39	40950023	O-Ring
40	40140031	Washer
41	40140150	Stem
42	40140105	Plunger
43	40110118	Seat washer
44	40140321	Screw
45	40150081	Sleeve
46	40140173	Renewable seat
39-46	40140034	Stem assembly
47		Valve body
48	40140342	Union for 1/2" IP

ITEM	PART #	DESCRIPTION
49	40140341	Union nut
50	09891106	Shield
51	40140167	Escutcheon
52	09891108	Bonnet
53	40950037	O-Ring
54	40950023	O-Ring
55	40140031	Washer
56	09891107	Stem
57	09891109	Plunger
58-63	09891561	Valve rebuild kit
64		Valve body
65	40140342	Union
66	40140341	Union nut

KOHLER K-13925 EXPOSED BEDPAN WASHER ITEMS 1 THRU 26 SAME AS K-13931-T

ITEM	PART #	DESCRIPTION
27-30	09891316	Support assembly
31		Nipple
32		Body
33	09891722	Key
34	09892038	Packing nut
35	40950048	O-Ring
36	09891782	Washer
37	09892275	Valve stem
38		Nipple
39	40700508	Screw
40	09890166	Handle
41	09892160	Bonnet
42	40950037	O-Ring
43	40950023	O-Ring
44	40140031	Washer
45	40140150	Stem
46	40140105	Plunger
47	40110118	Seat washer
48	40140321	Screw
49	40150081	Sleeve
50	40140173	Renewable seat
43-50	40140034	Stem assembly
51		Body
52		Flange
53		Set screw
54		Nipple



**TOTAL
MAINTENANCE
SOLUTIONS**

HOUSTON
800/392-5066

ORLANDO
800/327-3022

GREENVILLE
800/476-2212

LOOK FOR US ON THE WEB AT: www.TMSSouth.com

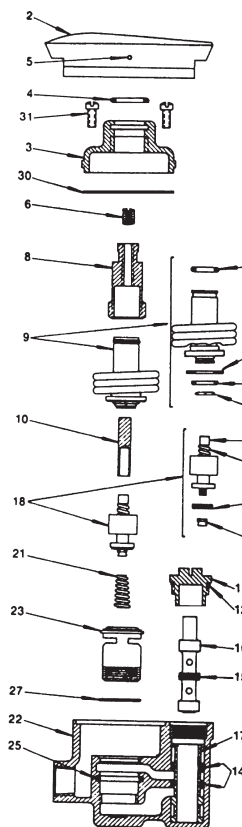
FAUCET REPAIR

LAWLER "ECHELON" MIXING VALVE

ITEM	PART #	DESCRIPTION
1		Dial plate (not illustrated)
2	31180698	Handle assembly
3		Cover - available w/spindle assy
4	31180690	Cover o-ring
5	31180560	Handle screw
6	31180310	Adjusting screw
7	31180410	Thermostat o-ring
8		Spindle - order spindle & cover assy.
9		Thermostat assembly
10	31180224	Push rod
11		Cylinder cap
12	31180680	Cylinder cap o-ring
13		Relief spring - order piston assy.
14		Shuttle cylinder o-ring
15		Shuttle o-ring
16		Shuttle
17		Shuttle cylinder
18		Piston assembly
19		Hot seat disc
20		Disc holder nut
21		Valve spring
22		Valve body
23		Liner
24		Piston screw - order piston assy.
25		Body o-ring
26		Retainer o-ring
27		Liner seat o-ring
28		Disc ring



ITEM	PART #	DESCRIPTION
29	31180500	Shut off disc
30		Body gasket
31		Cover screw
32	31180580	Dial plate screw set
A	31180820	Thermostatic section repair kit Includes items 9,10,21,31(2),C & D
B	31180780	Thermostatic & press section repair kit Includes items A & E
C	31180782	O-Ring & gasket kit Includes items 4,7,12,14,15,19,25,26,27,29 & 30
D	31180750	Piston & liner assembly (Includes items 18 & 23)
E		Shuttle & cylinder assembly (Includes items 14 thru 17)
F		Spindle & cover assembly (Includes items 3,4,6 & 8)

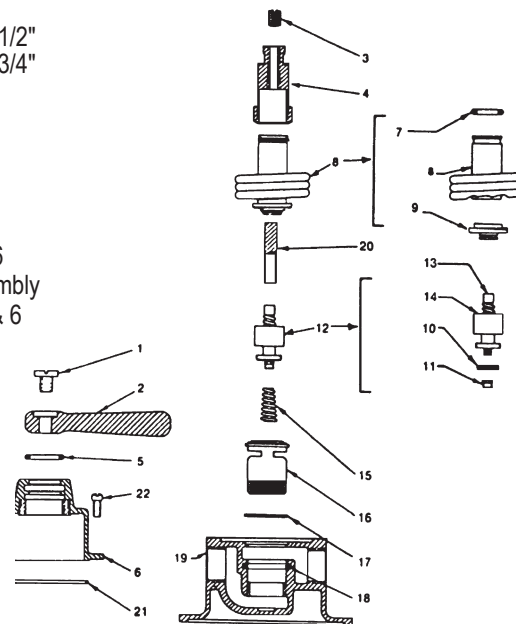


LAWLER SERIES 4000 THERMOSTATIC MIXING VALVE

ITEM	PART #	DESCRIPTION
1	31180660	Handle screw
2	31180400	Handle
3	31180310	Adjusting screw
4		Spindle - order cover & Spindle assy.
5	31180690	Cover o-ring
6		Cover assy. - order cover & spindle assy.
7	31180410	Thermostat o-ring
8	31180730	Thermostat assy. 1/2"
	31180700	Thermostat assy. 3/4"
9	31180770	Shut-off disc assy. 1/2"
	31180720	Shut-off disc assy. 3/4"
10		Hot seat disc
11		Disc holding nut
12		Piston assembly - 1/2"
13		Piston screw - order piston assy.
14		Relief spring - order piston assy.
15		Valve spring - 1/2"
	31180260	Valve spring - 3/4"
16		Liner
17		Liner seat o-ring
18		Liner o-ring
19		Body
20		Pushrod
21	31180600	Body gasket - 1/2"
	31180200	Body gasket - 3/4"



ITEM	PART #	DESCRIPTION
22	31180640	Cover screw - 1/2"
	31180210	Cover screw - 3/4"
A	31180820	Complete repair kit - 1/2"
	31180830	Complete repair kit - 3/4"
		Includes items 8,15,20,22(2),B & C
B	31180800	O-ring & Gasket kit - 1/2"
	31180806	O-ring & Gasket kit - 3/4"
		Includes items 5,7,9,10,17,18 & 21
C	31180756	Piston & liner assembly - 1/2"
	31180760	Piston & liner assembly - 3/4"
		Includes items 12 & 16
D		Spindle & cover assembly Includes items 3,4,5 & 6



TOTAL MAINTENANCE SOLUTIONS

HOUSTON
800/392-5066

ORLANDO
800/327-3022

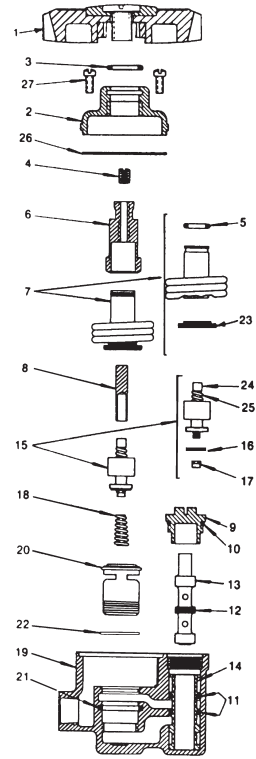
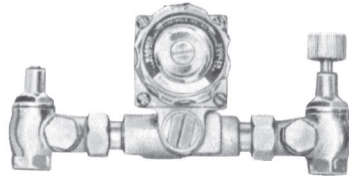
GREENVILLE
800/476-2212

LOOK FOR US ON THE WEB AT: www.TMSSouth.com

FAUCET REPAIR

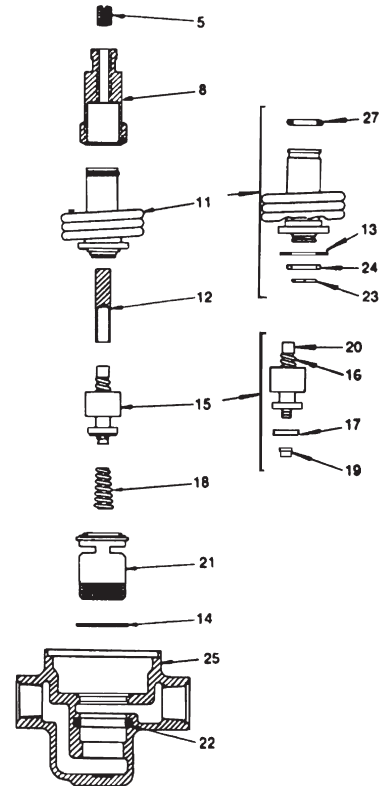
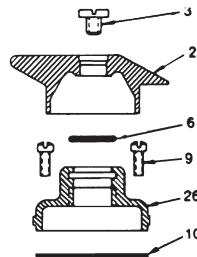
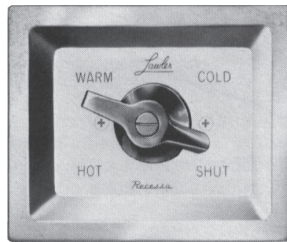
LAWLER SERIES PX-9700 THERMOSTATIC & PRESSURE BALANCED MIXING VALVE FOR PHOTO SERVICE

ITEM	PART #	DESCRIPTION	ITEM	PART #	DESCRIPTION
1	31180710	Handle assembly	25		Relief spring – order piston assy.
2		Cover assembly – order cover & spindle	26		Body gasket
3	31180690	Cover o-ring	27		Cover screw
4	31180310	Adjusting screw	A		Complete repair kit – specify 1/2" or 3/4"
5	31180410	Thermostat o-ring			Includes items 7,8,18,B, C & D
6		Spindle – order cover & spindle assy.	B	31180780	O-ring & gasket kit – 1/2"
7	31180740	Thermostat assembly – 1/2"		31180782	O-ring & gasket kit – 3/4"
	31180702	Thermostat assembly – 3/4"			Includes items 3, 5, 10, 11, 12, 16, 21, 22, 23, & 26
8	31180220	Pushrod – 1/2"	C	31180756	Piston & liner assembly – 1/2"
	31180240	Pushrod – 3/4"		31180760	Piston & liner assembly – 3/4"
9		Cylinder cap			Includes items 15 & 20
10	31180680	Cylinder cap o-ring – 1/2"	D		Shuttle & cylinder assembly – specify 1/2" or 3/4"
	31180570	Cylinder cap o-ring – 3/4"			Includes 11 thru 14
11		Shuttle cylinder o-ring	E		Spindle & cover assembly – specify 1/2" or 3/4" Includes 2,3,4 & 6
12		Shuttle o-ring			
13		Shuttle			
14		Shuttle cylinder			
15		Piston assy. 1/2" or 3/4" see item C			
16		Hot seat disc			
17		Disc holding nut			
18		Valve spring			
19		Body			
20		Liner specify 1/2" or 3/4"			
21		Body o-ring			
22		Liner seat o-ring			
23		Shut off disc			
24		Piston screw – order piston assy.			



LAWLER "RECESSO" MIXING VALVE (P/N 72036-00)

ITEM	PART #	DESCRIPTION	ITEM	PART #	DESCRIPTION
1		Dial plate (not shown)	A	31180820	Repair kit – includes 11,12,15,18,21 & B
2	31180320	Handle	B	31180810	O-ring & gasket kit includes 6,10,13,14 17,22,23,24 & 27
3	31180300	Handle screw	C	31180746	Cover & spindle assembly – includes 5,6, 8 & 26
4		Handle screw gasket	D	31180750	Piston & liner assembly – includes 15 & 21
5	31180310	Adjusting screw			
6	31180690	Cover o-ring			
7		Dial plate screw set			
8		Spindle – order cover & spindle assy.			
9		Cover screw			
10		Body gasket			
11		Thermostat assembly			
12		Push rod			
13		Shut-off disc			
14		Liner seat o-ring			
15		Piston assembly			
16		Relief spring – order piston assy.			
17		Hot seat disc			
18		Valve spring			
19		Disc holding nut			
20		Piston screw – order piston assy.			
21		Liner			
22		Body o-ring			
23		Retaining ring			
24		Disc ring			
25		Body			
26		Cover – order cover & spindle assy.			
27	31180410	Thermostat o-ring			



TOTAL MAINTENANCE SOLUTIONS

HOUSTON
800/392-5066

ORLANDO
800/327-3022

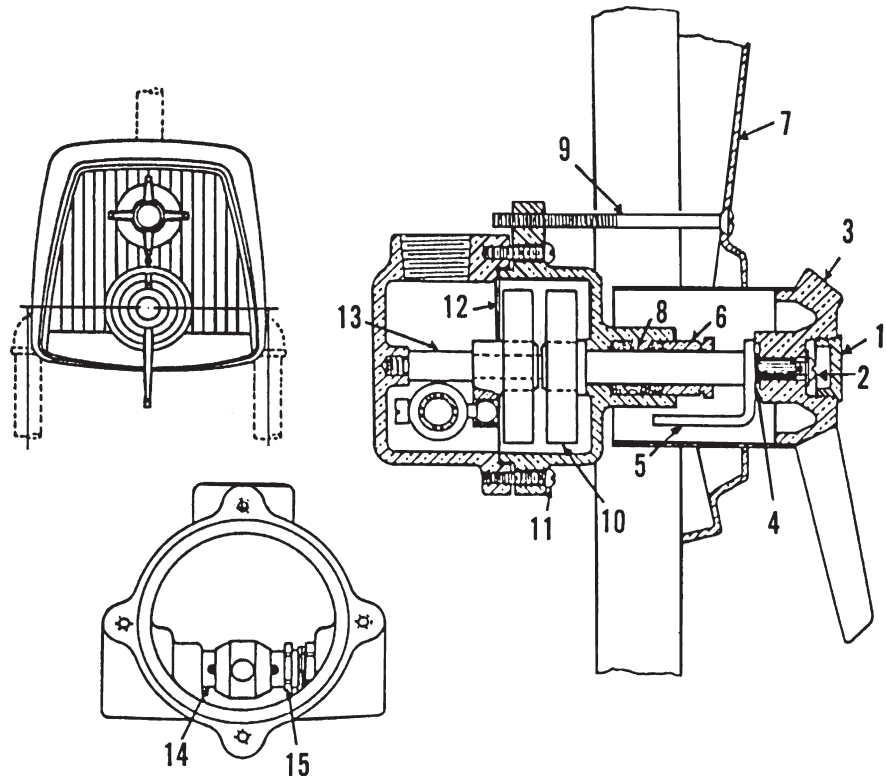
GREENVILLE
800/476-2212

LOOK FOR US ON THE WEB AT: www.TMSSouth.com

FAUCET REPAIR

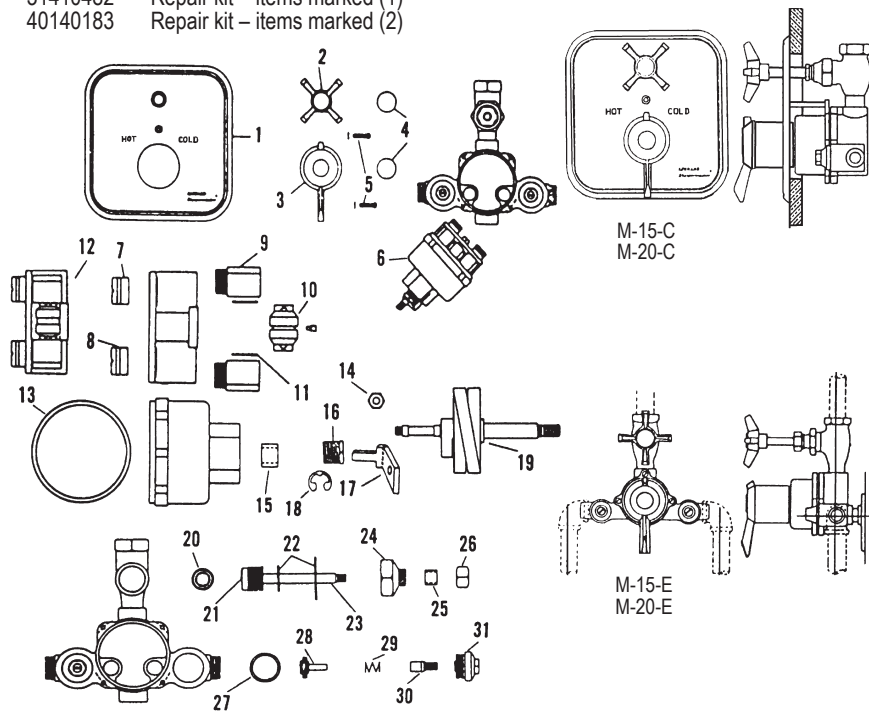
LEONARD M-10 SHOWERMMASTER – OLD STYLE

ITEM	PART #	DESCRIPTION
1		Escutcheon cover
2		Escutcheon
3		Escutcheon
4	31410844	Rod bracket
5	31410846	Pointer rod
6	31410836	Gland nut
7		Wall flange
8	31410838	Gland nut (1)
9	31410854	Wall flange
10	31410842	Thermostatic assy. (1)
11	31410832	Cover screw
12	31410834	Cover gasket (1)
13	31410828	Base stud (1)
14	31410840	Port sleeve assy. (1)
15	31410826	Port sleeve nut (1)
	31410822	Repair Kit



LEONARD SHOWERMMASTER MODELS M-15-C, M-20-C, M-15-E, M-20-E

ITEM	PART #	DESCRIPTION	ITEM	PART #	DESCRIPTION
1	31410250	Flange plate	30	31410626	Upper stem & packing
2	31410254	Handle	31	31410620	Check bonnet
3	31410426	Pointer		31410482	Repair kit – items marked (1)
4	40140200	Snap cap		40140183	Repair kit – items marked (2)
5	31410438	Screw & washer			
6		Thermostatic control assy. (2)			
7	31410494	Holder nut			
8	31410496	Holder nut o-ring (1)			
9	31410492	Port sleeve holder			
10	31410520	Port sleeve assembly			
11	31410490	Port sleeve packing			
12	31410526	Bridge assembly			
13	31410508	Cover gasket (1) (2)			
14	31410674	Pointer rod nut			
15	31410510	Gland packing (1)			
16	31410512	Gland nut			
17	31410514	Stop			
18	31410516	Retaining ring			
19	31410522	Thermo group			
20	31410652	Seat			
21	31410650	Seat washer & screw (1) (2)			
22	31410638	Washer & spacer (1)			
23	31410648	Stem			
24	31410636	Bonnet			
25	31410644	Stem packing (1)			
26	31410642	Bonnet cap			
27	31410622	Bonnet packing (1)			
28	31410630	Lower stem & packing (1)			
29	31410632	Check spring (1)			



**TOTAL
MAINTENANCE
SOLUTIONS**

HOUSTON
800/392-5066

ORLANDO
800/327-3022

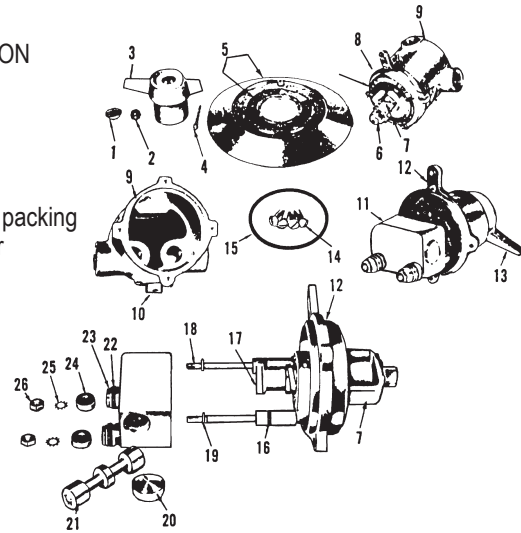
GREENVILLE
800/476-2212

LOOK FOR US ON THE WEB AT: www.TMSSouth.com

FAUCET REPAIR

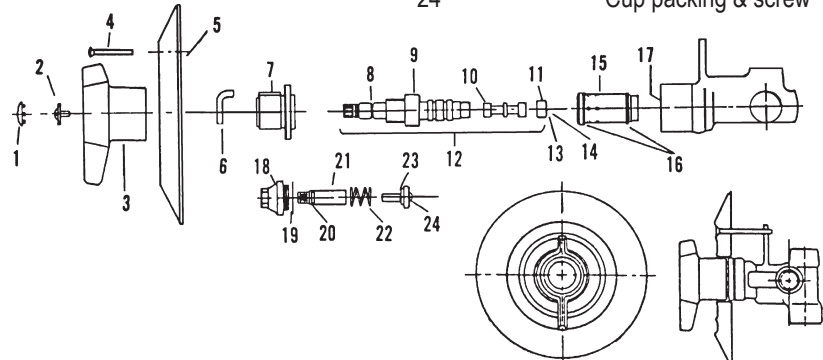
LEONARD PAM II PRESSURE ACTUATED MIXER

ITEM	PART #	DESCRIPTION	ITEM	PART #	DESCRIPTION
1	31412630	Pointer cap	19	31412610	Washers
2	40140201	Pointer screw & washer	20		End cap
3	31412478	Escutcheon pointer complete	21	31412612	Piston
4	31412634	Wall flange screw	22	31412518	O-Ring
5	31412632	Wall flange w/ dial plate	23	31412516	Seat
6	31412480	Stop retaining ring	24	31412608	Valve cup & packing
7	31412624	Stop	25		Lock washer
8		Cover	26		Nut
9		Base			
10		Drain plug			
11		Mixing block			
12		Cover			
13		Escutcheon pointer			
14	31412510	Cover screws			
15	31412508	Cover gasket			
16	31412604	Valve stem o-ring			
17		Control rod			
18	31412602	Valve stem/yoke assy.			



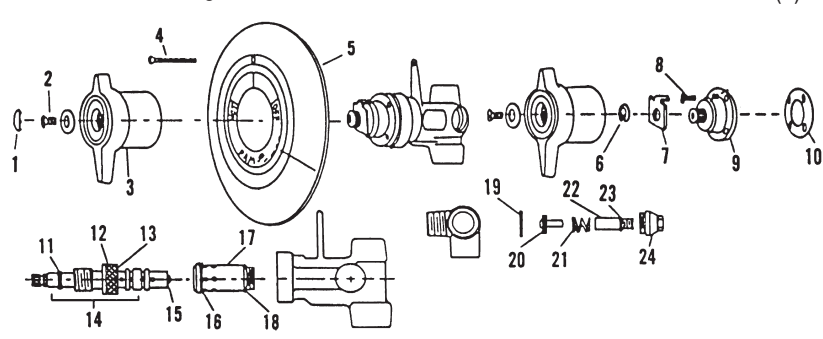
LEONARD PAM II PRESSURE ACTUATED MIXER – MANUFACTURED 1973 TO 1976

ITEM	PART #	DESCRIPTION	ITEM	PART #	DESCRIPTION	ITEM	PART #	DESCRIPTION
1	40140200	Snap cap CP	18	31412706	Check bonnet	21	31412696	Upper stem
2	40140201	Screw & washer	19	31412708	Bonnet packing	22	31412698	Spring
3	31412478	Pointer	20	31412502	O-Ring	23	31412702	Lower stem – cup & screw
4	31412634	Flange screw				24		Cup packing & screw
5	31412632	Wall flange w/dial plate						
6	31412474	Stop						
7	31412660	Cover						
8	31412668	O-Ring						
9	31412662	Upper cup w/packing						
10	31412658	Piston						
11	31412656	Lower cup						
12	31412682	Complete assembly						
13		Lower packing						
14		Screw						
15	NLA	Barrel						
16		O-Ring						
17	31412678	Body o-ring						



LEONARD PAM II-ST PRESSURE ACTUATED MIXER

ITEM	PART #	DESCRIPTION	ITEM	PART #	DESCRIPTION	ITEM	PART #	DESCRIPTION
1	40140200	Snap cap CP	19	31412708	Check bonnet packing	24	31412706	Check bonnet
2	40140201	Pointer screw & washer	20	31412702	Lower stem w/cup packing		41001013	Repair kit – items marked (1)
3	31412478	Escutcheon pointer	21	31412698	Check spring		41001233	Repair kit – items marked (2)
4	31411028	Flange screw	22	31412696	Upper check stem			
5	31412632	Wall flange w/dial plate	23	31412502	O-Ring			
6	31412480	Retainer ring						
7	31412474	Stop						
8	31412462	Cover screw						
9	31412460	Cover						
10	31412470	Cover gasket (1) (2)						
11	31411010	Control rod o-ring (2)						
12	31412458	Upper cup (2)						
13	31412464	Upper packing (2)						
14	40140203	Control rod group (1)						
15	31412452	Lower packing & screw (2)						
16	31412456	Upper sleeve packing (1)						
17	40140204	Sleeve (1)						
18	31412468	Sleeve o-ring (1)						



TOTAL MAINTENANCE SOLUTIONS

HOUSTON
800/392-5066

ORLANDO
800/327-3022

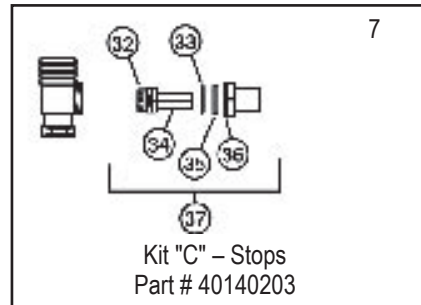
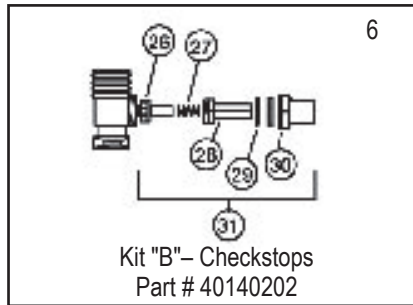
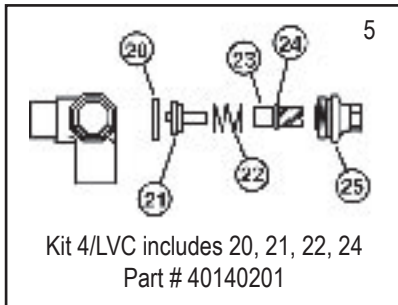
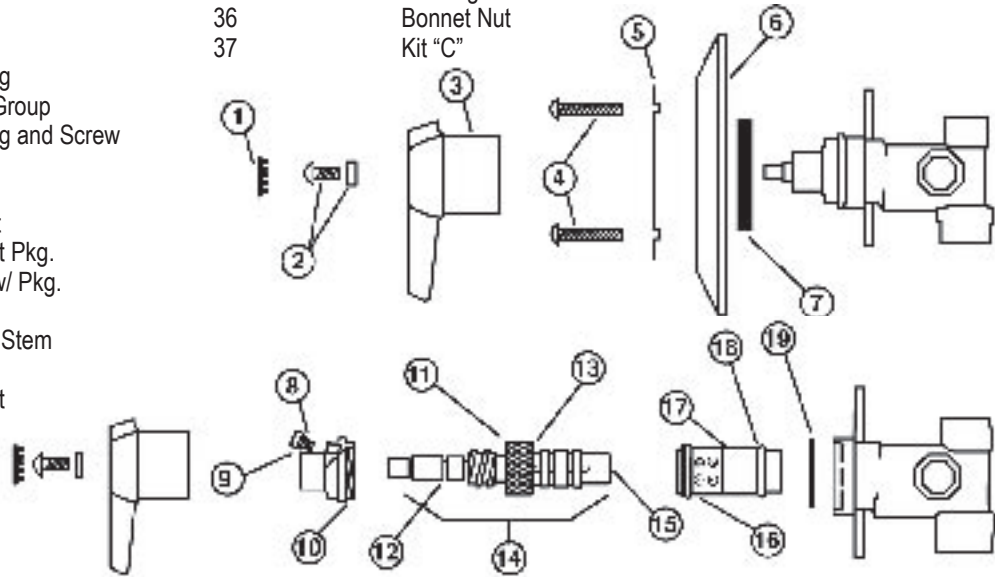
GREENVILLE
800/476-2212

LOOK FOR US ON THE WEB AT: www.TMSSouth.com

FAUCET REPAIR

LEONARD AQUATROL® 4500 PRESSURE BALANCING MIXING VALVE (1/2")

ITEM	PART #	DESCRIPTION	ITEM	PART #	DESCRIPTION
1	40140200	Snap Cap	26		Lower Stem & Packing
2	40140201	Pointer Screw and Washer	27		Spring
3	40140202	Escutcheon Pointer	28		Upper Stem
4	31411028	Flange Screw	29		Packing
5		Dial Plate	30		Bonnet
6		Wall Flange	31	41001008	Kit "B"
7		Pointer Gasket	32		Lower Stem Packing
8		Stop Screw	33		Washer
9		O-ring	34		Upper Stem
10		Cover	35		Packing
11		Upper Cup	36		Bonnet Nut
12	31411010	O-ring	37		Kit "C"
13		Upper Packing			
14	40140203	Control Rod Group			
15	31412452	Lower Packing and Screw			
16, 18	31412468	O-ring			
17	40140204	Sleeve			
19		Cover Gasket			
20	31412708	Check Bonnet Pkg.			
21	31412702	Lower Stem w/ Pkg.			
22	31412698	Check Spring			
23	31412696	Upper Check Stem			
24	31412502	O-ring			
25	31412706	Check Bonnet			



SERVICING INSTRUCTIONS

	SYMPTOM:	KIT REQUIRED:	PARTS INCLUDED:
Packings & O-rings	1. Leak at handle. 2. Valve will not shut off completely. 3. Valve is difficult to pull apart. 4. Leak at stop screw.	Part # 40140204	9, 11, 12, 13, 15, 19, 18 (2)
Control Rod Group	5. Valve delivers either all hot or all cold water, or will not mix completely.	Part # 40140205	14, 17, 19, 18 (2)
Inserted Seat	6. After replacing packings and o-rings, valve will not shut off completely.		16, 18 (2)
Checkstops, Stops	7. Supplies cannot be shut off completely 8. Leak at checkstop (or stop) bonnet or stem.		See drawing 5, 6, or 7 above for repair kits



**TOTAL
MAINTENANCE
SOLUTIONS**

HOUSTON
800/392-5066

ORLANDO
800/327-3022

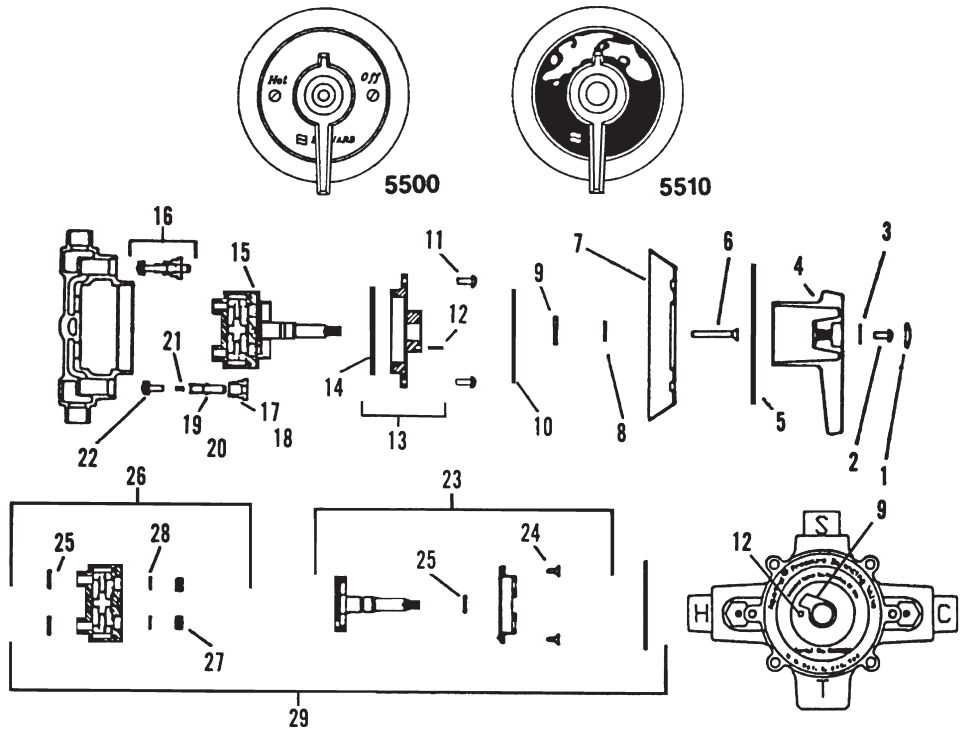
GREENVILLE
800/476-2212

LOOK FOR US ON THE WEB AT: www.TMSSouth.com

FAUCET REPAIR

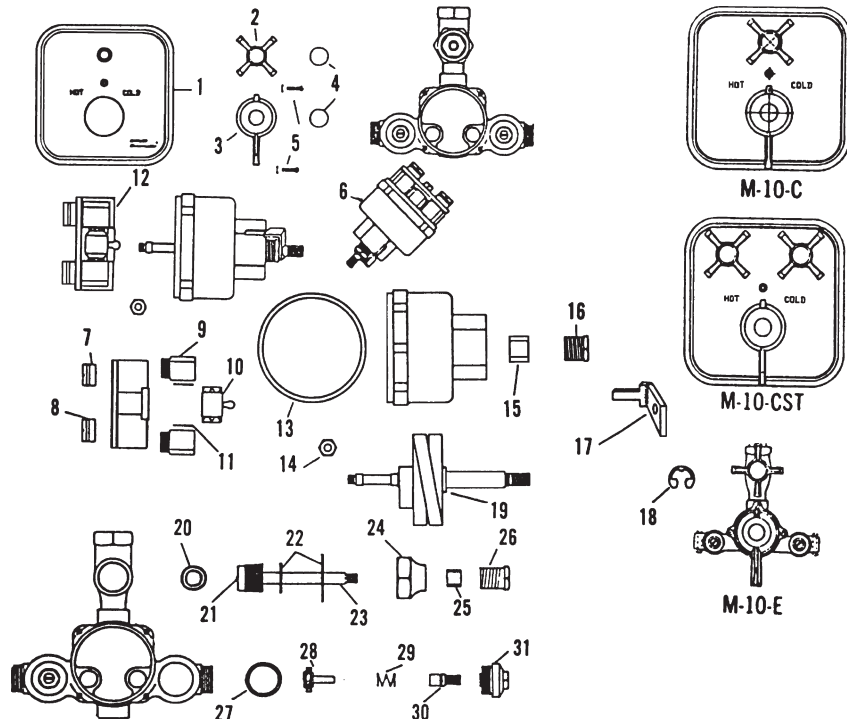
LEONARD AQUATROL NEW STYLE – 5500 & 5510 SERIAL NUMBERS G9200 & HIGHER

ITEM	PART #	DESCRIPTION
1	31413054	Snap cap
2	31413052	Pointer screw
3	31413050	Washer
4	31413020	Pointer
5	31413060	Dial plate
6	31413026	Flange screw
7	31413024	Wall flange
8	31413048	Retainer ring
9	31413018	Stop
10		Serial number plate
11	31413022	Cover screws
12	31413046	Stop pin
13		Cover complete
14	31413028	Cover o-ring
15	40170006	Cartridge complete
16	31413032	Checkstop assembly
17	31413034	Bonnet w/o-ring
18	31413036	Bonnet o-ring
19	31413038	Upper stem w/o-ring
20	31413040	Upper stem o-ring
21	31413044	Spring
22	31413042	Lower stem packing
23	31413058	Stem assembly
24	31413012	Diffuser screws
25	31413014	O-Ring
26	31413056	Block assembly
27	31413008	Diffuser packing
28	31413062	Diffuser washer
29	31413002	Rebuilding kit



LEONARD SHOWERMASTER MODELS M-10-C, M-10-CST, M-10-E

ITEM	PART #	DESCRIPTION	PART #	DESCRIPTION
1	31410250	Flange plate	31410120	Repair kit – items marked (1)
2	31410254	Handle	31410110	Repair kit – items marked (2)
3	31410426	Pointer		
4	40140200	Snap cap		
5	31410438	Screw & washer		
6	31410242	Thermostatic control assy. (2)		
7	31410208	Holder nut		
8	31410210	Holder nut o-ring (1)		
9	31410206	Port sleeve holder		
10	31410232	Port sleeve assembly		
11	31410204	Port sleeve packing		
12	31410238	Bridge assembly		
13	31410222	Cover gasket (1) (2)		
14	31410212	Pointer rod nut		
15	31410224	Gland packing (1)		
16	31410226	Gland nut		
17	31410228	Stop		
18	31410230	Retaining ring		
19	31410234	Thermo group		
20	31410340	Seat		
21	31410342	Seat washer & screw (1) (2)		
22	31410326	Washer & spacer (1)		
23	31410336	Stem w/washer & screw		
24	31410324	Bonnet		
25	31410332	Stem packing (1)		
26	31410330	Bonnet cap		
27	31410304	Bonnet packing (1)		
28	31410312	Stem & packing (1)		
29	31410314	Check spring (1)		
30	31410308	Upper stem & packing		
30A		Packing for upper stem (1)		
31		Check bonnet		



**TOTAL
MAINTENANCE
SOLUTIONS**

HOUSTON
800/392-5066

ORLANDO
800/327-3022

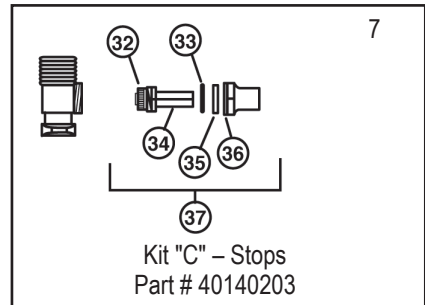
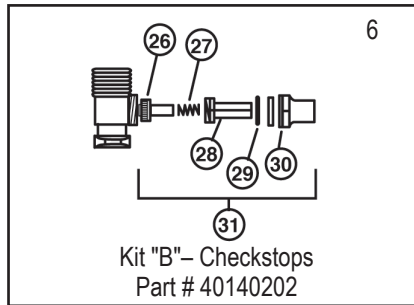
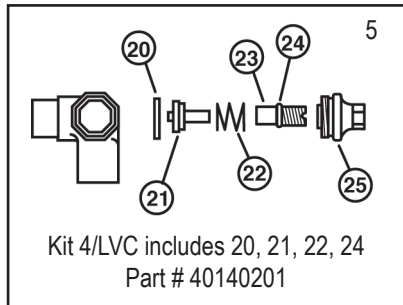
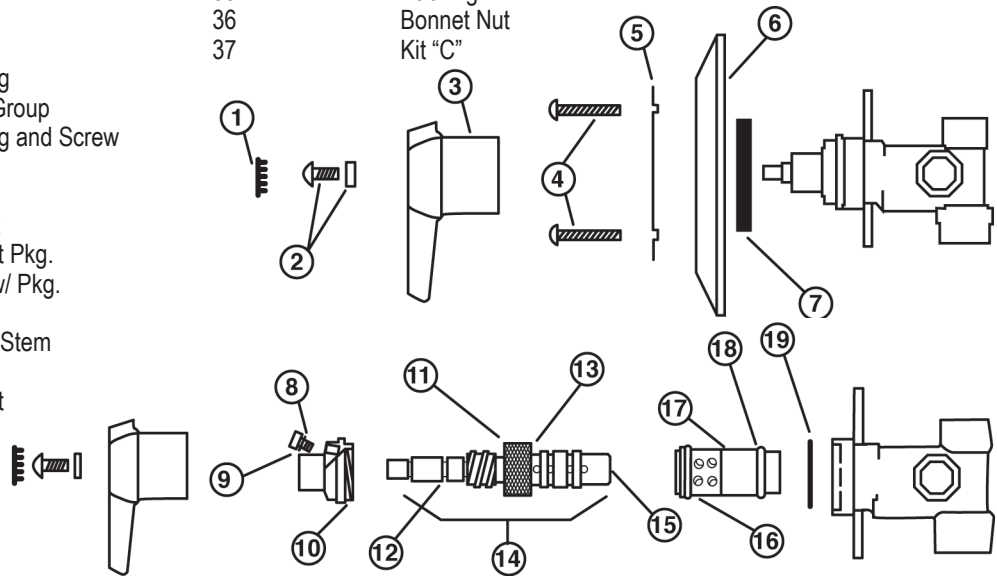
GREENVILLE
800/476-2212

LOOK FOR US ON THE WEB AT: www.TMSSouth.com

FAUCET REPAIR

LEONARD AQUATROL® 4500 PRESSURE BALANCING MIXING VALVE (1/2")

ITEM	PART #	DESCRIPTION	ITEM	PART #	DESCRIPTION
1	40140200	Snap Cap	26		Lower Stem & Packing
2	40140201	Pointer Screw and Washer	27		Spring
3	40140202	Escutcheon Pointer	28		Upper Stem
4	31411028	Flange Screw	29		Packing
5		Dial Plate	30		Bonnet
6		Wall Flange	31	41001008	Kit "B"
7		Pointer Gasket	32		Lower Stem Packing
8		Stop Screw	33		Washer
9		O-ring	34		Upper Stem
10		Cover	35		Packing
11		Upper Cup	36		Bonnet Nut
12	31411010	O-ring	37		Kit "C"
13		Upper Packing			
14	40140203	Control Rod Group			
15	31412452	Lower Packing and Screw			
16, 18	31412468	O-ring			
17	40140204	Sleeve			
19		Cover Gasket			
20	31412708	Check Bonnet Pkg.			
21	31412702	Lower Stem w/ Pkg.			
22	31412698	Check Spring			
23	31412696	Upper Check Stem			
24	31412502	O-ring			
25	31412706	Check Bonnet			



SERVICING INSTRUCTIONS

	SYMPTOM:	KIT REQUIRED:	PARTS INCLUDED:
Packings & O-rings	1. Leak at handle. 2. Valve will not shut off completely. 3. Valve is difficult to pull apart. 4. Leak at stop screw.	Part # 41001233	9, 11, 12, 13, 15, 19, 18 (2)
Control Rod Group	5. Valve delivers either all hot or all cold water, or will not mix completely.	Part # 40140205	14, 17, 19, 18 (2)
Inserted Seat	6. After replacing packings and o-rings, valve will not shut off completely.		16, 18 (2)
Checkstops, Stops	7. Supplies cannot be shut off completely 8. Leak at checkstop (or stop) bonnet or stem.		See drawing 5, 6, or 7 above for repair kits



**TOTAL
MAINTENANCE
SOLUTIONS**

HOUSTON
800/392-5066

ORLANDO
800/327-3022

GREENVILLE
800/476-2212

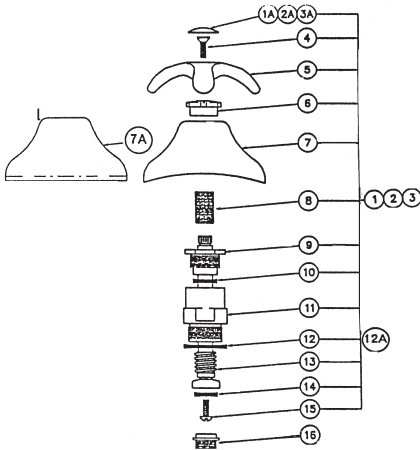
LOOK FOR US ON THE WEB AT: www.TMSSouth.com

FAUCET REPAIR

LOGAN MODEL 46 & 45 PANEL, MODEL 36 & 37 COLUMN SHOWERS

ITEM	PART #	DESCRIPTION
1	*	Valve assembly – neutral
1A	33011008	Welch button – neutral
2	*	Valve assembly – hot
2A	33011010	Welch button – hot
3	*	Valve assembly – cold
3A	33011012	Welch button – cold
4	42720206	Handle screw
5	33011016	Handle
6	33011018	Flange nut
7	33011020	Escutcheon – panel shower
7A	33011022	Escutcheon – column shower
8	33011024	Bonnet nipple
9	33011026	Packing nut
10	33010570	Stem packing
11	*	Stem sleeve
12	33010492	Washer – panel shower
12A	33010494	Washer – column shower
13	33011028	Valve stem assembly
14	33010505	Seat washer
15	50100013	Bibb screw
16	33011004	Valve seat

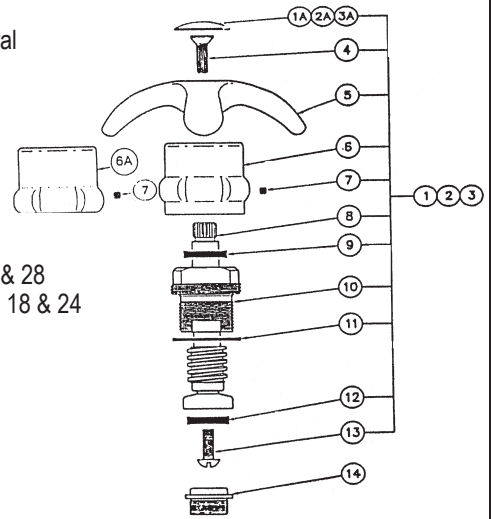
* Specify column or panel shower when ordering



LOGAN STEM & HANDLE ASSEMBLY FOR MODEL 27 & 28 PANEL SHOWER, MODEL 17, 18 & 24 EXPOSED PANEL SHOWER

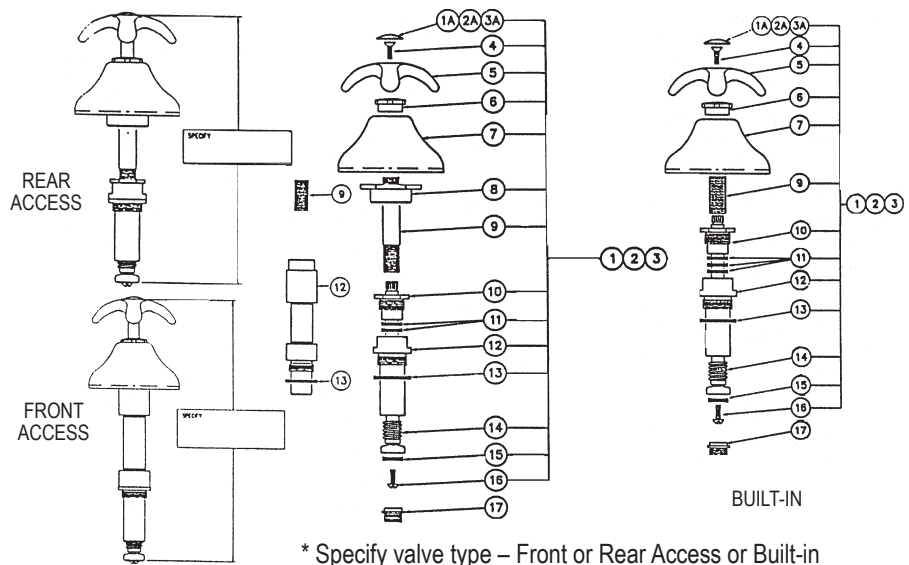
ITEM	PART #	DESCRIPTION
1	*	Valve assembly – neutral
1A	33011008	Welch button – neutral
2	*	Valve assembly – hot
2A	33011010	Welch button – hot
3	*	Valve assembly – cold
3A	33011012	Welch button – cold
4	42720206	Handle screw
5	33011016	Handle
6		Bonnet nut – model 27 & 28
6A		Bonnet nut – model 17, 18 & 24
7	33010380	Set screw
8	33011002	Stem assembly
9	33010570	Stem packing
10	*	Stem sleeve
11	33010478	Sleeve washer
12	33010505	Seat washer
13	50100013	Bibb screw
14	33011004	Valve seat

* Specify model number of shower



LOGAN STEM & HANDLE ASSEMBLY FOR MDLE. 19 & 26 BUILT-IN, FRONT & REAR ACCESS EXTENDED STEM VALVES

ITEM	PART #	DESCRIPTION	ITEM	PART #	DESCRIPTION
1	*	Valve assembly – neutral	9	33011024	Bonnet nipple – front access & built-in
1A	33011008	Welch button – neutral		33011030	Bonnet nipple – rear access
2	*	Valve assembly – hot	10	33011034	Packing nut
2A	33011010	Welch button – hot	11	33010570	Stem packing
3	*	Valve assembly – cold	12	*	Stem sleeve
3A	33011012	Welch button – cold	13	33010492	Washer
4	42720206	Handle screw	14	33011036	Stem assembly
5	33011016	Handle	15	33010505	Seat washer
6	33011018	Flange nut	16	50100013	Bibb screw
7	33011020	Escutcheon – 3-1/2"	17	33011004	Valve seat
8	33011032	Hex plug			



* Specify valve type – Front or Rear Access or Built-in



TOTAL MAINTENANCE SOLUTIONS

HOUSTON
800/392-5066

ORLANDO
800/327-3022

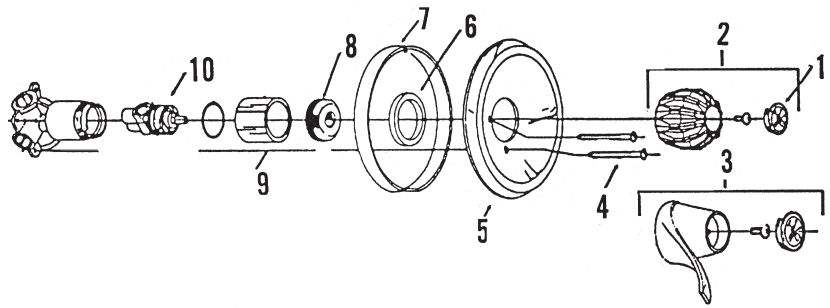
GREENVILLE
800/476-2212

LOOK FOR US ON THE WEB AT: www.TMSSouth.com

FAUCET REPAIR

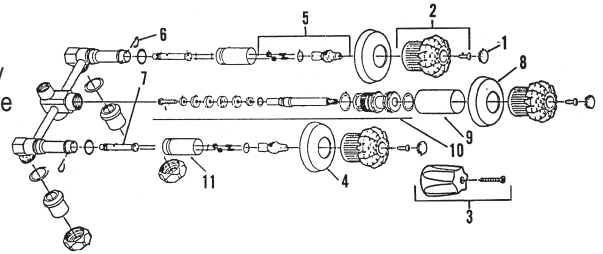
MILWAUKEE SINGLE LEVER TUB & SHOWER

ITEM	PART #	DESCRIPTION
1	20740912	Index button
2	20740648	Acrylic handle assembly
3	20741432	Lever handle assembly
4	20740712	Escutcheon screws
5	20740714	Wall escutcheon
6	20740804	Center escutcheon seal
7	20740802	Outer escutcheon seal
8	20740692	Cap nut
9	20740806	Escutcheon sleeve
10	40160147	Cartridge



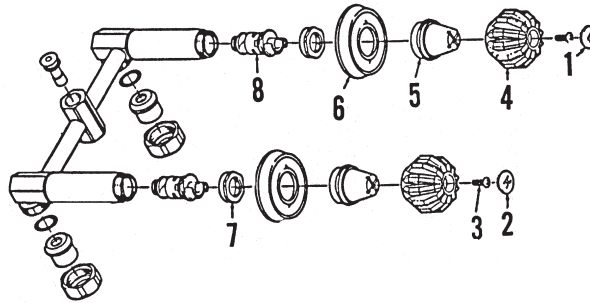
MILWAUKEE TUB & SHOWER W/DIVERTER

ITEM	PART #	DESCRIPTION	ITEM	PART #	DESCRIPTION
1	20740455	Hot index button	9	20741004	Diverter sleeve
2	20740457	Cold index button	10	20741002	Diverter assembly
3	20740906	Acrylic handle assy.	11	20740818	Escutcheon sleeve
4	20740666	Escutcheon			
5	20740295	Valve assembly kit (2 units)			
6		Clip			
7	20741476	Stem insert			
8	20740670	Diverter escutcheon			



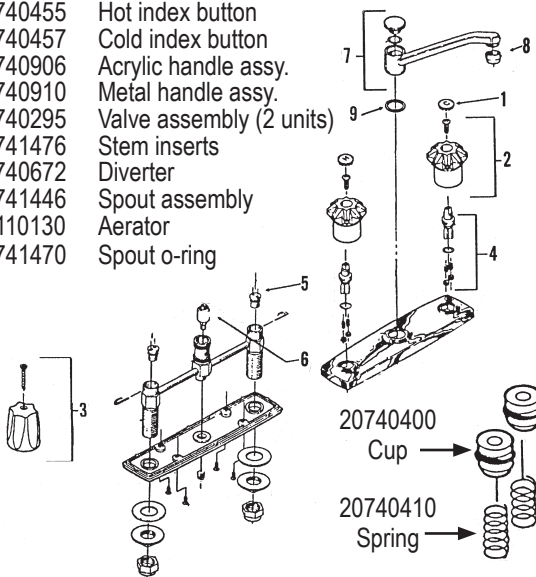
MILWAUKEE TUB & SHOWER VALVE

ITEM	PART #	DESCRIPTION
1	20740457	Cold index button
2	20740455	Hot index button
3	20740820	Handle screw
4	20740702	Acrylic handle
5	20740698	Handle insert
6		Escutcheon
7	20740688	Cap
8	20740510	Cartridge



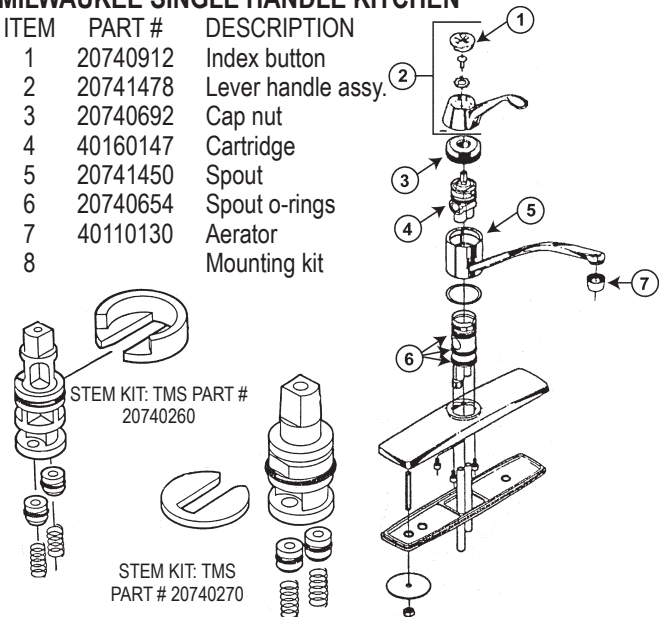
MILWAUKEE TWO HANDLE KITCHEN

ITEM	PART #	DESCRIPTION
1	20740455	Hot index button
2	20740457	Cold index button
3	20740910	Metal handle assy.
4	20740295	Valve assembly (2 units)
5	20741476	Stem inserts
6	20740672	Diverter
7	20741446	Spout assembly
8	40110130	Aerator
9	20741470	Spout o-ring



MILWAUKEE SINGLE HANDLE KITCHEN

ITEM	PART #	DESCRIPTION
1	20740912	Index button
2	20741478	Lever handle assy.
3	20740692	Cap nut
4	40160147	Cartridge
5	20741450	Spout
6	20740654	Spout o-rings
7	40110130	Aerator
8		Mounting kit



**TOTAL
MAINTENANCE
SOLUTIONS**

HOUSTON
800/392-5066

ORLANDO
800/327-3022

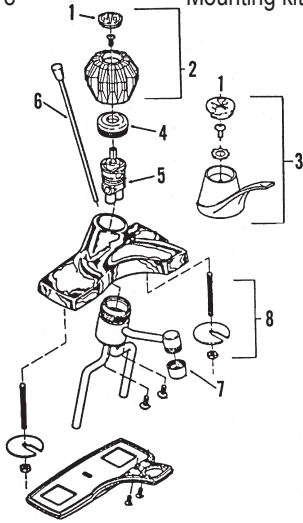
GREENVILLE
800/476-2212

LOOK FOR US ON THE WEB AT: www.TMSSouth.com

FAUCET REPAIR

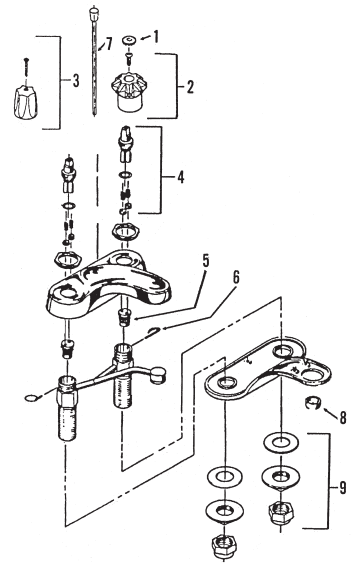
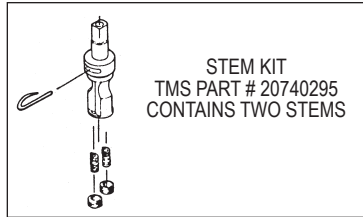
MILWAUKEE SINGLE HANDLE LAVATORY

ITEM	PART #	DESCRIPTION
1	20740912	Index button
2	20740648	Acrylic handle assy.
3	20741432	Metal handle assy.
4	20740692	Cap nut
5	40160147	Cartridge
6	20740880	Upper lift rod
7	40110130	Aerator
8		Mounting kit



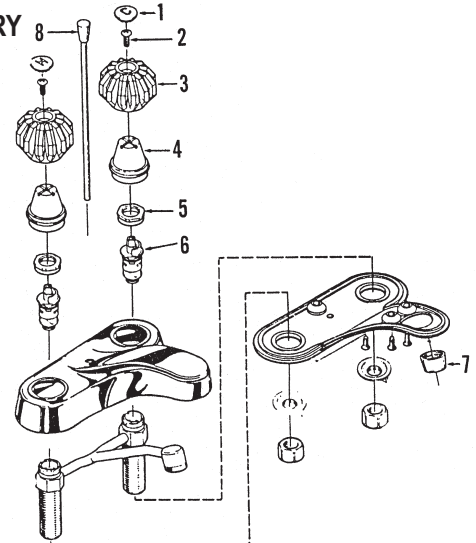
MILWAUKEE TWO HANDLE LAVATORY

ITEM	PART #	DESCRIPTION
1	20740455	Hot index button
	20740457	Cold index button
2	20740906	Acrylic handle assy.
3	20740910	Metal handle assy.
4	20740295	Valve assembly (2 units)
5	20741476	Stem inserts
7	20740880	Lift rod



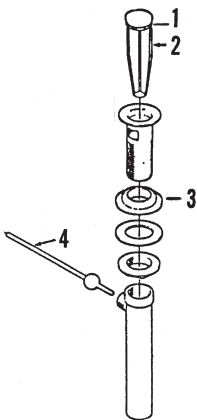
MILWAUKEE TWO HANDLE LAVATORY

ITEM	PART #	DESCRIPTION
1	20740706	Hot index
	20740708	Cold index
2	20740820	Handle screw
3	20740808	Acrylic handle
4	20740704	Handle insert
5	20740674	Cap
6	20740510	Cartridge
7	40110130	Aerator
8	20740880	Lift Rod



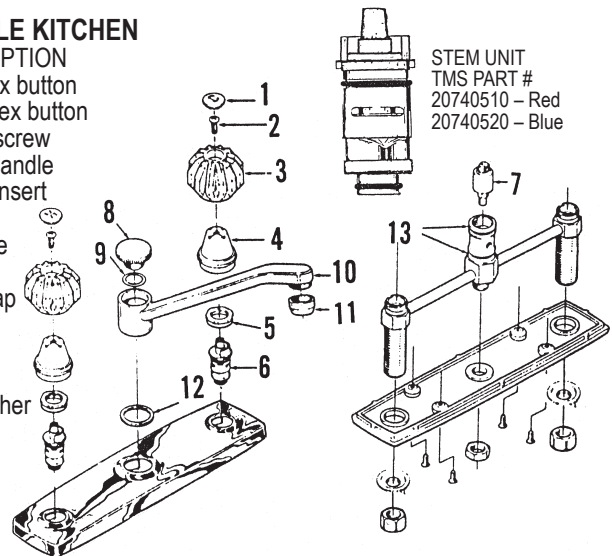
MILWAUKEE POP-UP DRAIN

ITEM	PART #	DESCRIPTION
1	20740412	Stopper
2	40120414	Stopper gasket
3	40130237	Mack washer
4	40150085	Rod & ball
5	20740300	Cap nut
6	40150066	Clip
7	12890540	Strap extension (not shown)



MILWAUKEE TWO HANDLE KITCHEN

ITEM	PART #	DESCRIPTION
1	20740455	Hot index button
	20740457	Cold index button
2	20740820	Handle screw
3	20740702	Acrylic handle
4	20740698	Handle insert
5	20740688	Cap
6	20740510	Cartridge
7	20740672	Diverter
8	20740705	Spout cap
9	20740662	O-Ring
10	20740690	Spout
11	40110130	Aerator
12	20740682	Slip washer
13	20740678	O-Ring



TOTAL MAINTENANCE SOLUTIONS

HOUSTON
800/392-5066

ORLANDO
800/327-3022

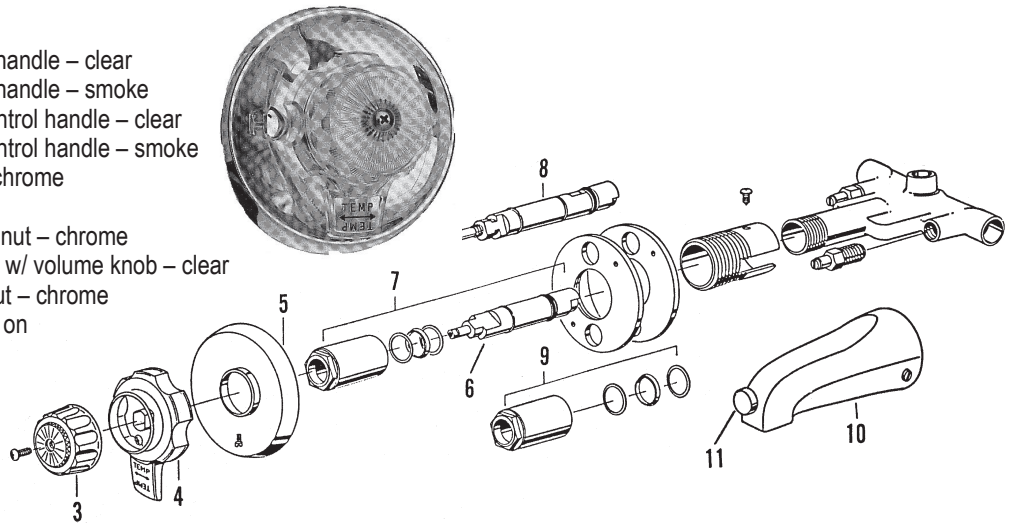
GREENVILLE
800/476-2212

LOOK FOR US ON THE WEB AT: www.TMSSouth.com

FAUCET REPAIR

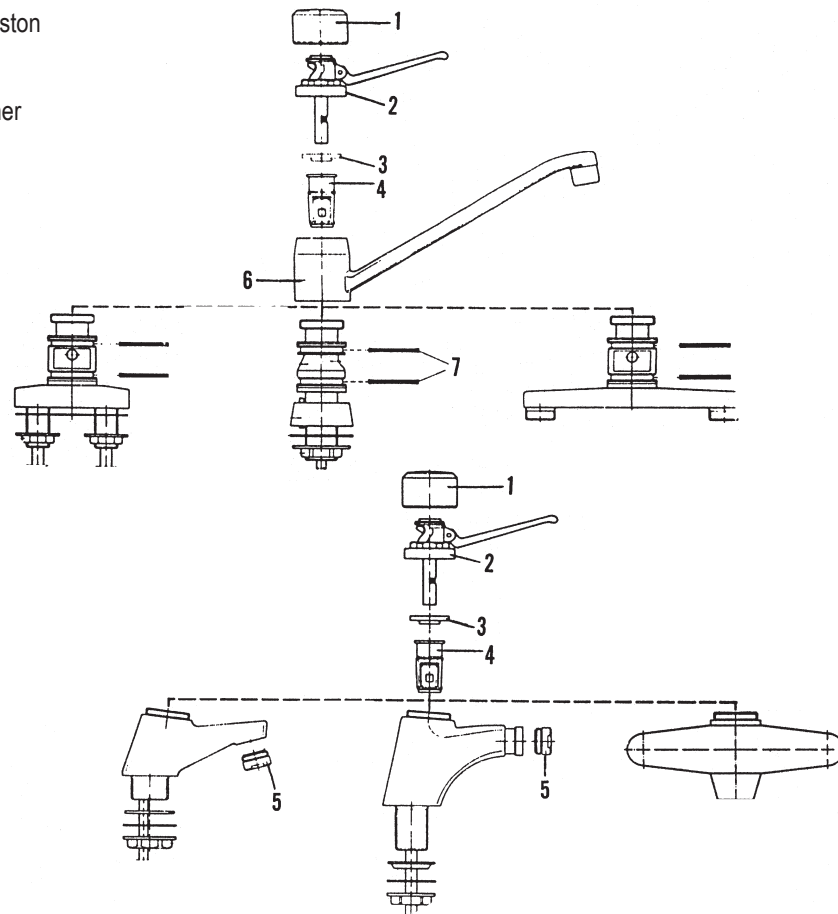
MIXET TUB & SHOWER VALVE

ITEM	PART #	DESCRIPTION
3	40140170	Volume control handle – clear
	25640180	Volume control handle – smoke
4	40140171	Temperature control handle – clear
	25640200	Temperature control handle – smoke
5	25640140	4-1/2" flange – chrome
6	25640120	Stem only
7	40140182	Stem with head nut – chrome
8	25640160	Stem – old style w/ volume knob – clear
9	25640170	Stem retainer nut – chrome
10	25640150	Tub spout – slip on
11	25640110	Diverter button



MORATEMP SINGLE CONTROL LAVATORY & SINK FAUCET

ITEM	PART #	DESCRIPTION
1	32590100	Cap
2	32590110	Handle & valve piston
3	32590120	Washer
4	32590130	Valve cylinder
5	32590140	Stream straightener
6	32590150	Spout
7	32590160	Spout o-rings



**TOTAL
MAINTENANCE
SOLUTIONS**

HOUSTON
800/392-5066

ORLANDO
800/327-3022

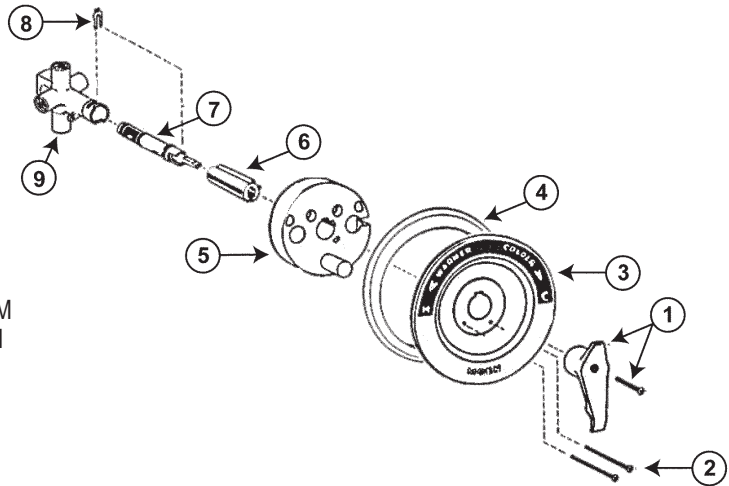
GREENVILLE
800/476-2212

LOOK FOR US ON THE WEB AT: www.TMSSouth.com

FAUCET REPAIR

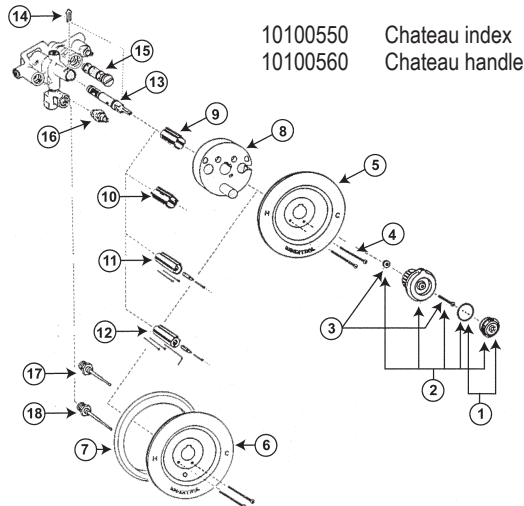
MOEN LEGEND SINGLE HANDLE TUB & SHOWER

ITEM	PART #	DESCRIPTION
1	10621468	Lever handle
2	40140164	Escutcheon screws
3	10621456	Escutcheon
4		Escutcheon extension
5		Plaster guard
6	10621348	Adjustable temperature limit stop
7	40140020	Replacement cartridge – plastic OEM
	40140019	Replacement cartridge – brass OEM
	40140101	Replacement cartridge – plastic non-OEM
	40140114	Replacement cartridge – brass non-OEM
8	40140137	Retainer clip
9		Stop check valve



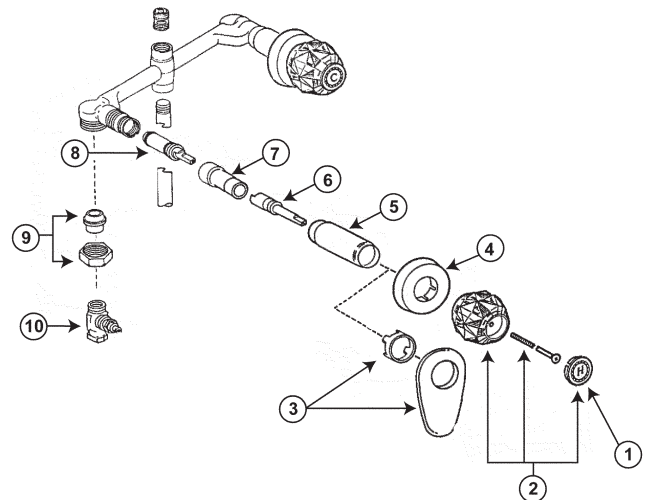
MOEN MOENTROL SINGLE HANDLE TUB & SHOWER

ITEM	PART #	DESCRIPTION
1	10620442	Knob insert kit – chrome
2	10620310	Knob kit – chrome
3	10622262	Screw & washer
4	40140164	Escutcheon screw – chrome
5	10621360	Escutcheon – non-diverter – chrome
6	10621402	Escutcheon – diverter – chrome
7		Escutcheon extension
8		Plaster guard
9	10620410	Stop tube
10	10621336	Adjustable temperature limit stop – chrome
11		1" handle extension – chrome
12		Handle extension w/ adjustable stop
13	40140020	Replacement cartridge – plastic OEM
	40140019	Replacement cartridge – brass OEM
	40140101	Replacement cartridge – plastic non-OEM
	40140114	Replacement cartridge – brass non-OEM
14	40140137	Retainer clip
15	40140026	Balancing spool
16		Stop check valve
17	40140180	Pushbutton diverter
18	40140179	Pushbutton diverter 1" longer



MOEN CHATEAU TWO HANDLE TUB & SHOWER

ITEM	PART #	DESCRIPTION
1	10620710	Knob insert kit
2	10620342	Knob kit
3		Escutcheon – tear drop
4	10620360	Escutcheon kit – round
5	10620361	Cover tube kit
6	10620344	Stem extension
7	10620362	Cartridge nut
8	40140027	Replacement cartridge
9		Union nut & adapter kit
10		Stop valve assembly



**TOTAL
MAINTENANCE
SOLUTIONS**

HOUSTON
800/392-5066

ORLANDO
800/327-3022

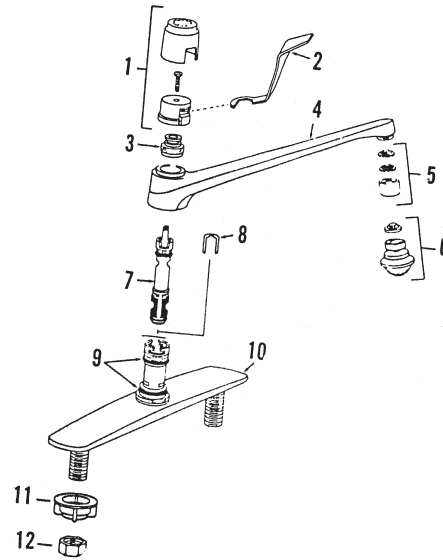
GREENVILLE
800/476-2212

LOOK FOR US ON THE WEB AT: www.TMSSouth.com

FAUCET REPAIR

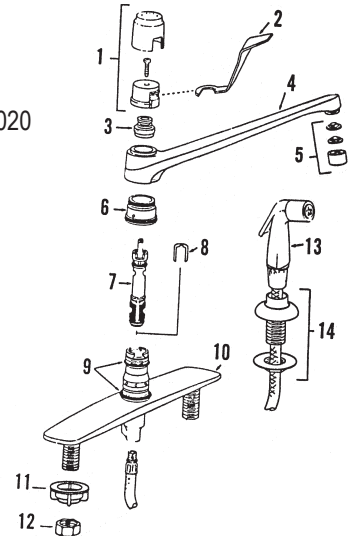
MOEN CHALET SINGLE LEVER KITCHEN

ITEM	PART #	DESCRIPTION
1	10620510	Handle assembly kit
2	10620490	Handle lever
3	10620480	Pivot nut
4	10620580	Spout
5	40110130	Aerator
6	40110103	Swing & spray aerator
7	40140020	Replacement cartridge – plastic
	40140019	Replacement cartridge – brass
	40140101	Generic replacement cartridge – plastic
	40140114	Generic replacement cartridge – brass
8	10620200	Retainer clip
9	40140165	Spout o-ring kit
10		Escutcheon body
11	21940315	Locknut
12	40800454	Coupling nut
	10620505	Repair kit for plastic cartridge (40140020)



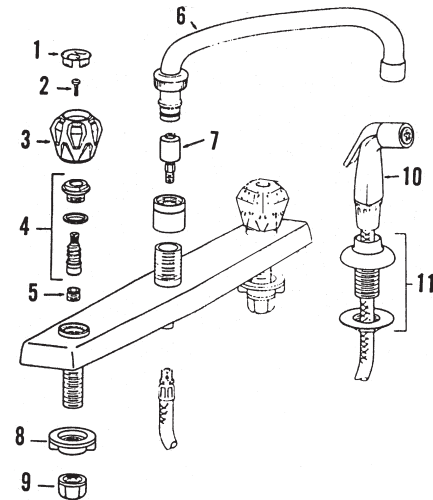
MOEN CHALET SINGLE LEVER KITCHEN W/ SPRAY

ITEM	PART #	DESCRIPTION	ITEM	PART #	DESCRIPTION
1	10620510	Handle assembly kit	14	45731002	Hose guide assembly
2	10620490	Handle lever		10620505	Repair kit for # 40140020 cartridge
3	10620480	Pivot nut			
4	10620500	Spout			
5	40110130	Aerator			
6	40140146	Diverter			
7	40140020	Replacement cartridge – plastic OEM			
	40140019	Replacement cartridge – brass OEM			
	40140101	Replacement cartridge – plastic non-OEM			
	40140114	Replacement cartridge – brass non-OEM			
8	10620200	Retainer clip			
9	40140165	Spout o-ring kit			
10		Escutcheon body			
11	21940315	Locknut			
12	40800454	Coupling nut			
13	40110165	Spray head & hose assembly			



MOEN CHALET TWO HANDLE KITCHEN

ITEM	PART #	DESCRIPTION
1	10620710	Handle knob insert
2	10622308	Knob screw
3	10620720	Knob handle
4	43681006	Stem & bonnet
5	42000760	Seat
6	10622318	Spout assembly
7	40120940	Diverter
8	40140346	Locknut
9	40800454	Coupling nut
10	40110165	Spray head & hose assembly
11	40130680	Hose guide assembly



**TOTAL
MAINTENANCE
SOLUTIONS**

HOUSTON
800/392-5066

ORLANDO
800/327-3022

GREENVILLE
800/476-2212

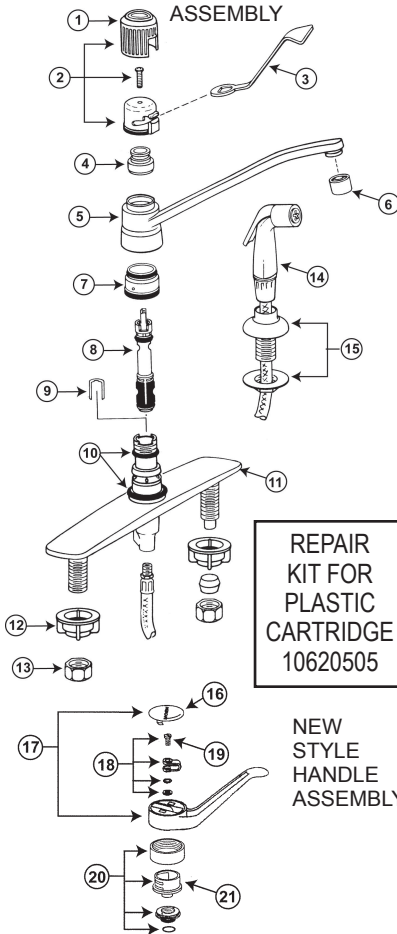
LOOK FOR US ON THE WEB AT: www.TMSSouth.com

FAUCET REPAIR

MOEN CHATEAU SINGLE LEVER KITCHEN W/ SPRAY

ITEM	PART #	DESCRIPTION
1	10620360	Cap & emblem
2	40140168	Handle assembly kit
3	10620260	Lever handle
4	10620480	Pivot nut
5	10622136	Spout
6	40110130	Aerator
7	40140146	Diverter
8	40140020	Replacement cartridge – plastic
	40140019	Replacement cartridge – brass
9	10620200	Retainer clip
10	40140165	Spout o-ring kit
11		Escutcheon body
12	40140346	Locknut
13	40800454	Coupling nut
14	40110165	Spray head & hose assembly
15	401300680	Hose guide assembly
16		Cap (specify Chrome, Sand or Glacier)
17		Handle assembly (specify Chrome, Sand or Glacier)
18	10620211	Connector kit
19		Handle screw
20		Collar & nut kit
21		Pivot retainer

OLD STYLE HANDLE ASSEMBLY

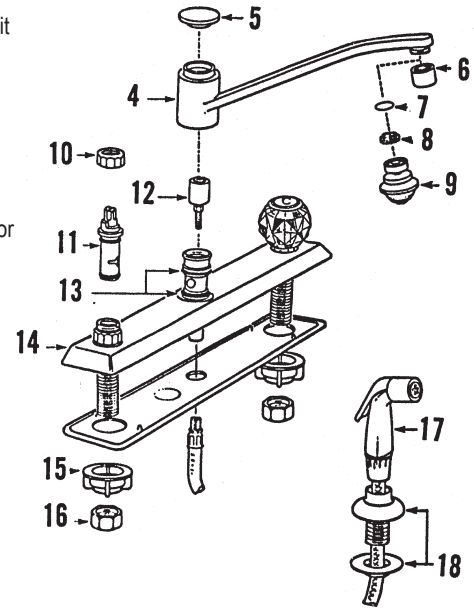
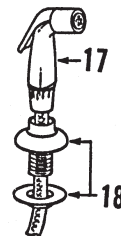
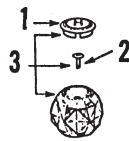


REPAIR KIT FOR PLASTIC CARTRIDGE 10620505

NEW STYLE HANDLE ASSEMBLY

MOEN CHATEAU TWO HANDLE KITCHEN

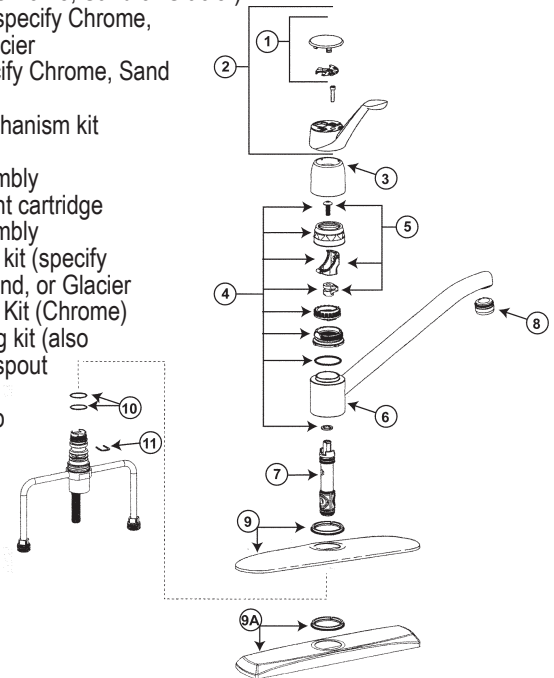
ITEM	PART #	DESCRIPTION
1	10620350	Handle knob insert kit
2	10621418	Handle screw
3	10620340	Handle knob kit
4	10621460	Spout assembly kit
5	10621458	Spout cap w/o-ring
6	40110130	Aerator
7	10621238	Adapter gasket
8	10621346	Adapter bushing
9	40110103	Swing & spray aerator
10	10622160	Cartridge nut
11	40140027	Replacement cart.
12	10622166	Diverter
13	40140165	Spout o-ring kit
14		Escutcheon body
15	40140346	Locknut
16	40800454	Coupling nut
17	40110165	Spray assy.
18	40130680	Hose guide



MOEN CHATEAU SINGLE-HANDLE KITCHEN FAUCET

ITEM	PART #	DESCRIPTION
1		Cap and Temperature indicator kit (specify Chrome, Sand or Glacier)
2		Handle kit (specify Chrome, Sand or Glacier)
3		Dome (specify Chrome, Sand or Glacier)
4	40140128	Handle mechanism kit
5	10626140	Handle kit
6		Spout assembly
7	40140020	Replacement cartridge
8		Spout assembly
9		Escutcheon kit (specify Chrome, Sand, or Glacier)
9A	40140165	Escutcheon Kit (Chrome)
10	40140165	Spout O-ring kit (also included in spout assembly)
11	10620200	Retainer clip

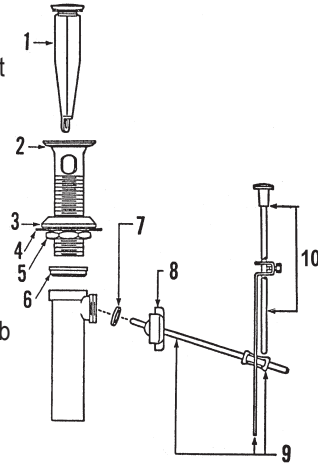
REPAIR KIT FOR PLASTIC CARTRIDGE 10620505



FAUCET REPAIR

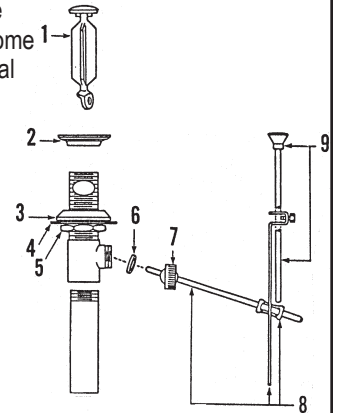
MOEN LAVATORY WASTE 96497

ITEM	PART #	DESCRIPTION
1	40140169	Stopper – waste plug
2	10620266	Waste seal kit
3	10620272	Gasket
4	10620274	Washer
5	10621406	Mounting nut
6	10621356	Seal
7	10621404	Pivot seat
8	10621358	Pivot nut
9	10620268	Pivot rod w/clip
10	10621354	Lift rod & knob



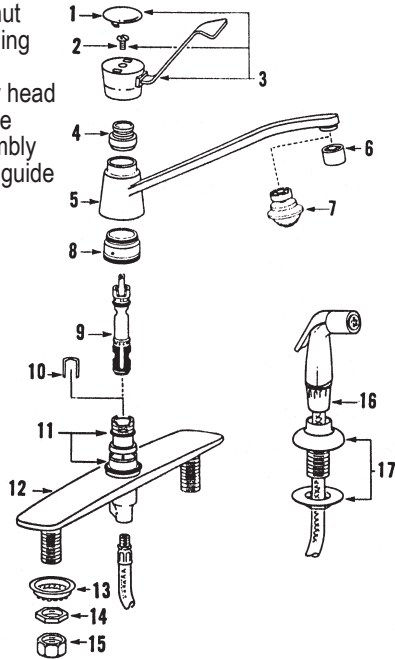
MOEN LAVATORY WASTE 10790

ITEM	PART #	DESCRIPTION
1	10620240	Stopper – plastic
	10620250	Stopper – chrome
2	10620128	Waste seat – chrome
3	10620264	Bottom gasket seal
4	10620152	Washer
5	10620154	Mounting nut
6	40140104	Pivot rod seat
7	10620375	Pivot rod nut
8	10620270	Pivot rod & clip
9	10620280	Lift rod & knob



MOEN LEGEND SINGLE LEVER KITCHEN

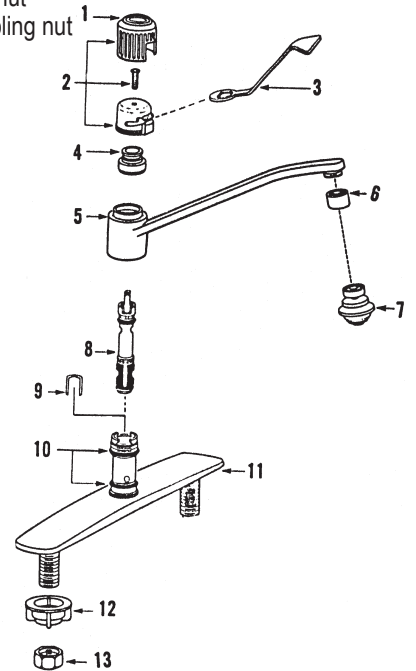
ITEM	PART #	DESCRIPTION
1	10621152	Cap
2	10620180	Handle screw
3	10620210	Handle assembly kit
4	10620480	Pivot nut
5	10622106	Spout assembly kit
6	40110130	Aerator
7	40110103	Swing & spray aerator
8	40140146	Diverter
9	40140020	Replacement cartridge – plastic
	40140019	Replacement cartridge – brass
10	10620200	Retainer clip
11	40140165	Spout o-ring kit
12		Escutcheon body
13	40800629	Deep rosette
14	40800598	Locknut
15	40800454	Coupling nut
16	40110165	Spray head & hose assembly
17	40130680	Hose guide



REPAIR KIT FOR PLASTIC CARTRIDGE 10620505

MOEN CHATEAU SINGLE LEVER KITCHEN

ITEM	PART #	DESCRIPTION
1	10620630	Cap & emblem
2	40140168	Handle assembly kit
3	10620260	Handle lever
4	10620480	Pivot nut
5	10620110	Spout assembly
6	40110130	Aerator
7	40110103	Swing & spray aerator
8	40140020	Replacement cartridge – plastic
	40140019	Replacement cartridge – brass
9	10620200	Retainer clip
10	40140165	Spout o-ring kit
11		Escutcheon body
12	40140340	Locknut
13	40800454	Coupling nut



REPAIR KIT FOR PLASTIC CARTRIDGE 10620505



TOTAL MAINTENANCE SOLUTIONS

HOUSTON
800/392-5066

ORLANDO
800/327-3022

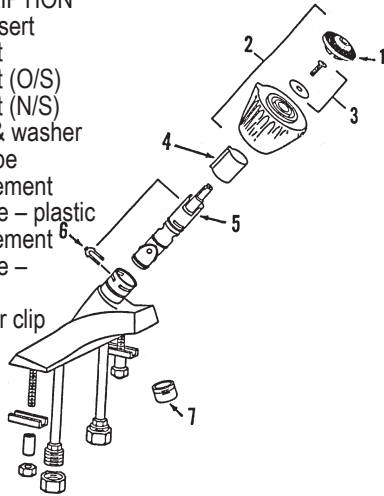
GREENVILLE
800/476-2212

LOOK FOR US ON THE WEB AT: www.TMSSouth.com

FAUCET REPAIR

MOEN LEGEND SINGLE KNOB LAVATORY

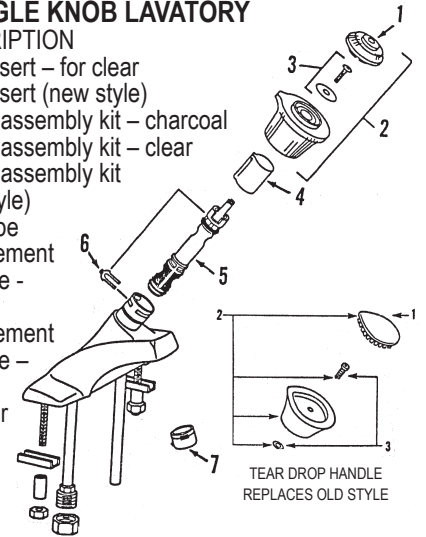
ITEM	PART #	DESCRIPTION
1	10620442	Knob insert
2	10620300	Knob kit
	10100300	Knob kit (O/S)
	10100310	Knob kit (N/S)
3	10622260	Screw & washer
4	40121092	Stop tube
5	40140020	Replacement cartridge – plastic
	40140019	Replacement cartridge – brass
6	40140137	Retainer clip
7	40110144	Aerator



REPAIR KIT FOR PLASTIC CARTRIDGE 10620505

MOEN CHATEAU SINGLE KNOB LAVATORY

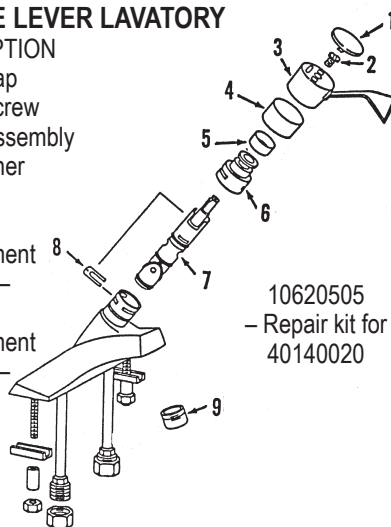
ITEM	PART #	DESCRIPTION
1	10620550	Knob insert – for clear
	10100550	Knob insert (new style)
2	10620330	Handle assembly kit – charcoal
3	10620540	Handle assembly kit – clear
	10100540	Handle assembly kit (new style)
4	40121092	Stop tube
5	40140020	Replacement cartridge – plastic
	40140019	Replacement cartridge – brass
6	40140137	Retainer clip
7	40110144	Aerator



10620505 – Repair kit for 40140020

MOEN LEGEND SINGLE LEVER LAVATORY

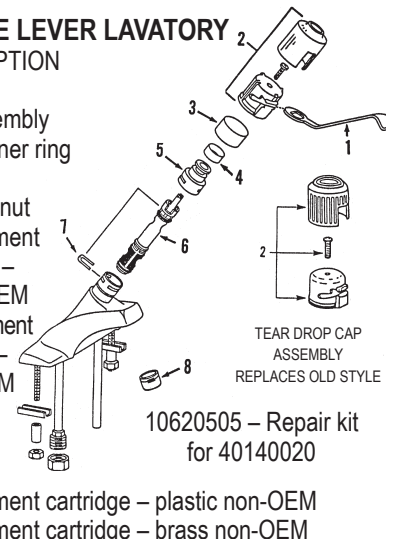
ITEM	PART #	DESCRIPTION
1	10621152	Handle cap
2	10620180	Handle screw
3	10620460	Handle assembly
4	10620400	Clip retainer
5	10620190	Spacer
6	10620390	Pivot ring
7	40140020	Replacement cartridge – plastic
	40140019	Replacement cartridge – brass
8	10620450	Retainer clip
9	40110144	Aerator



10620505 – Repair kit for 40140020

MOEN CHATEAU SINGLE LEVER LAVATORY

ITEM	PART #	DESCRIPTION
1	10620640	Handle
2	40140168	Cap assembly
3	10620400	Clip retainer ring
4	10620190	Spacer
5	10620390	Retainer nut
6	40140020	Replacement cartridge – plastic OEM
	40140019	Replacement cartridge – brass OEM
7	10620450	Retainer clip
8	40110144	Aerator

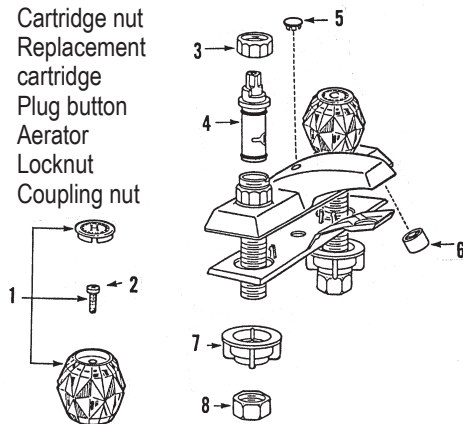


10620505 – Repair kit for 40140020

40140101 Replacement cartridge – plastic non-OEM
40140114 Replacement cartridge – brass non-OEM

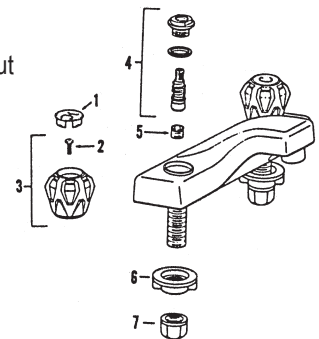
MOEN CHATEAU TWO HANDLE LAVATORY

ITEM	PART #	DESCRIPTION
1	10620350	Knob & insert kit – chrome
2	10620340	Knob screw – chrome
3	10622160	Cartridge nut
4	40140027	Replacement cartridge
5	10621340	Plug button
6	40110144	Aerator
7	40140346	Locknut
8	40800454	Coupling nut



MOEN CHALET TWO HANDLE LAVATORY

ITEM	PART #	DESCRIPTION
1	10620710	Handle knob insert
2	10622308	Knob screw
3	10620720	Knob handle kit
4	43681006	Stem & bonnet
5	42000760	Seat
6	40140346	Locknut
7	40800454	Coupling nut



TOTAL MAINTENANCE SOLUTIONS

HOUSTON
800/392-5066

ORLANDO
800/327-3022

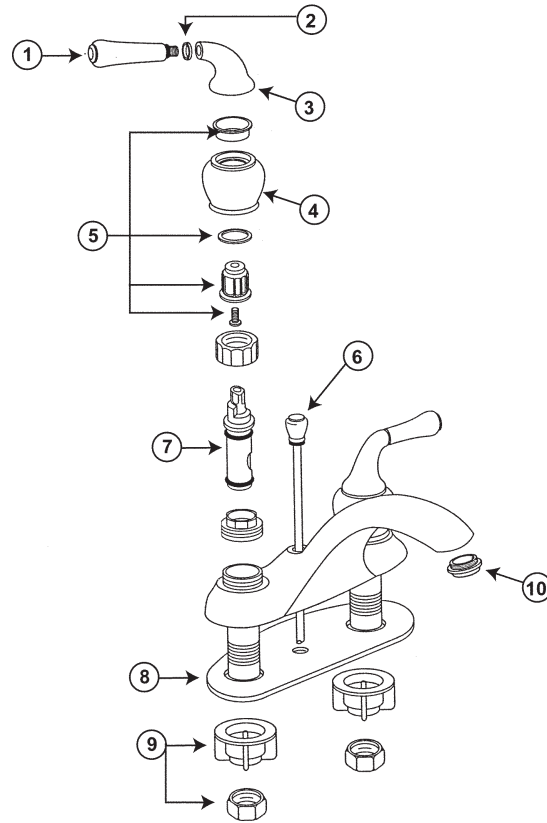
GREENVILLE
800/476-2212

LOOK FOR US ON THE WEB AT: www.TMSSouth.com

FAUCET REPAIR

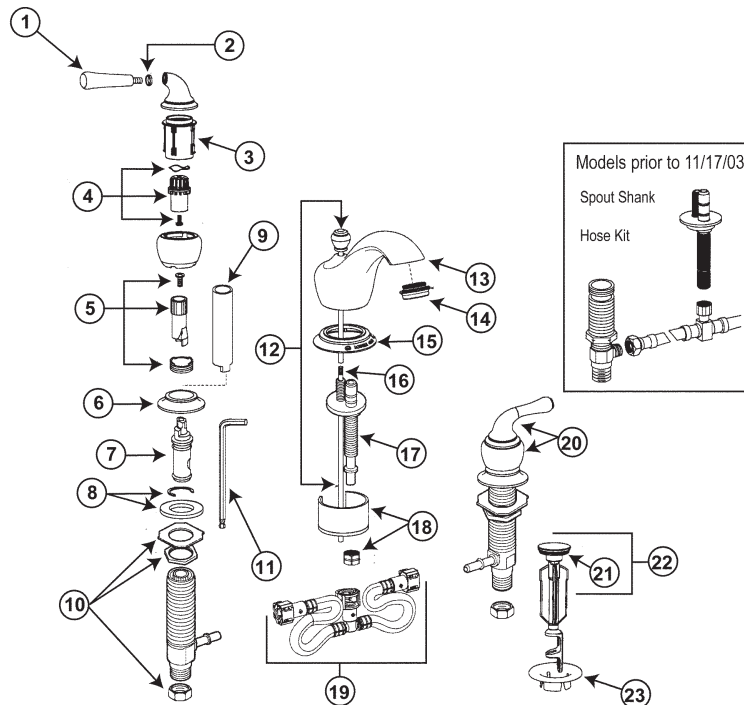
MOEN MONTICELLO 2 HANDLE LAVATORY FAUCET

ITEM	PART #	DESCRIPTION
1		Lever handle insert kit (specify Chrome, Polished Brass, Porcelain/Chrome, Porcelain/Polished Brass, Acrylic/Chrome or Acrylic/Polished Brass)
2		Washer kit
3		Handle elbow kit
4		Handle hub kit
5	40140100	Hot and cold adapter kit
6		Lift rod & knob
7	40140027	Replacement Cartridge
8		Deck gasket kit
9		Hardware package
10		Aerator kit



MOEN MONTICELLO 2 HANDLE WIDESPREAD LAVATORY FAUCET

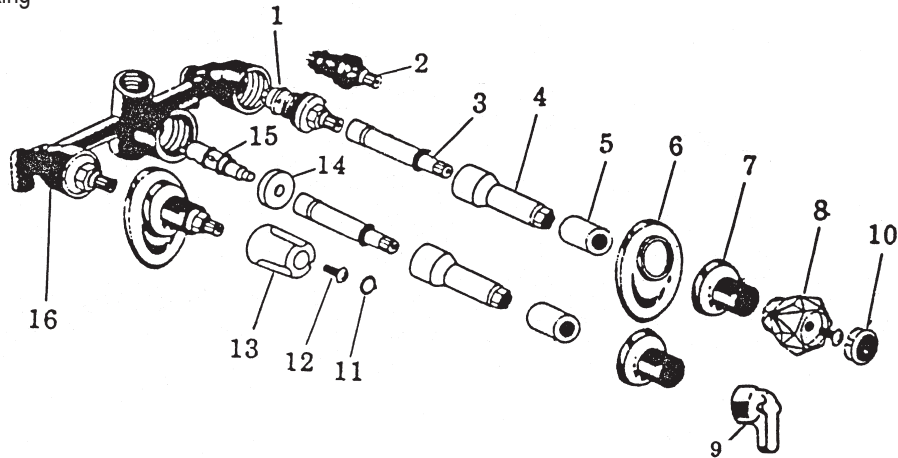
ITEM	PART #	DESCRIPTION
1		Lever handle insert kit
2		Washer kit
3		Large chassis
4	10620523	Handle adapter kit
5	40140132	Hot and cold stem extension kit
6		Escutcheon
7	40140027	Replacement cartridge
8		Mounting hardware
9	10620347	Cartridge removal tool
10		Hardware package
11		Installation tool
12		Upper & lower lift rod, strap and knob kit
13		Spout kit (chrome)
14		Aerator kit
15		Spout escutcheon
16		Set screw
17		Spout shank & o-rings
18		Hardware kit
19		Hydrolock™ and supply hose kit
20		Hub & elbow assembly
21		Pop-up o-ring
22		Pop-up & o-ring
23		Drain seat



FAUCET REPAIR

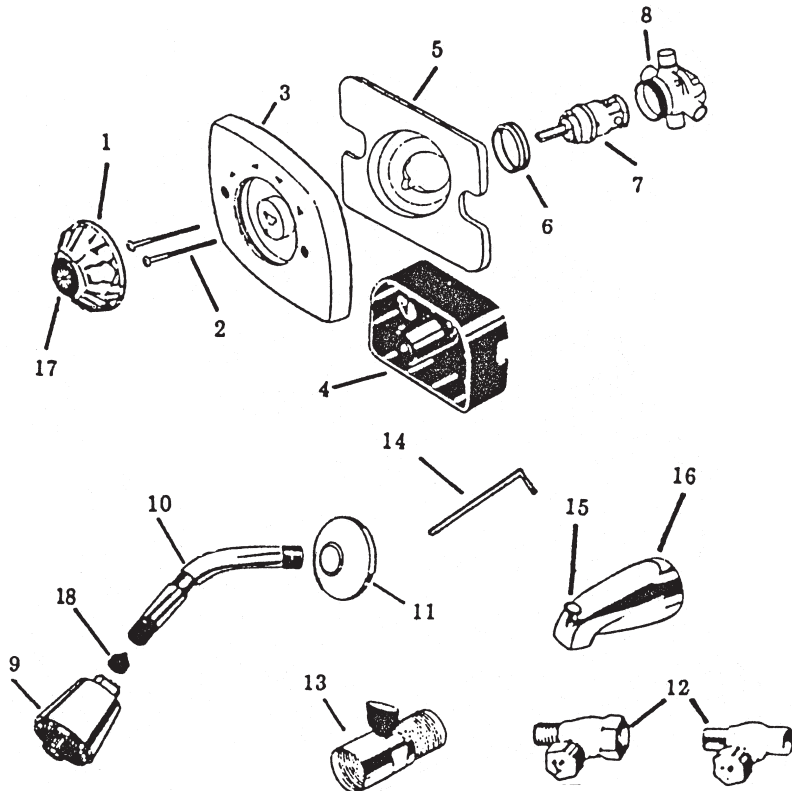
NIBCO 500 SERIES TUB & SHOWER VALVE

ITEM	PART #	DESCRIPTION
1	40150119	Cartridge
2	43501002	Reverse cartridge
3	11500230	Stem extension w/ o-Ring
4	11500225	Sleeve
5		Tube
6	11500860	Teardrop escutcheon
7	11500160	Escutcheon
8	11500290	Acrylic handle
9	11500870	Blade handle-Hot
	11500872	Blade handle-Cold
10	11500270	Index - cold
	11500272	Index - hot
11	11500280	Index - hot
	11500260	Index - cold
12	11500310	Screw
13	11500120	Chrome ABS handle
14	11500325	Thrust washer
15	11500220	Diverter stem
15A	40950023	O-ring
15B	40950041	O-ring
16		Valve Underbody



NIBCO 600 SERIES TUB & SHOWER VALVE

ITEM	PART #	DESCRIPTION
1	11500880	Handle-Clear
2	11500885	Cover Screws
3	11500890	Stop Ring & Cover Assy.
4	11500915	Plastic Guard
5	11500895	Support Plate
6	11500780	Hold Down Ring
7	40150148	Cartridge-Regular
	11500875	Cartridge-Back to Back
8		Underbody
9	40520074	TMS Shower Head
10	40520077	TMS Shower Arm
11	40800286	TMS Shower Flange
12	11500905	Integral Stop (FExM)
	11500900	Integral Stop (SWP)
13	11500910	Volume Control
14		Allen wrench
15		Diverter spout
16		Tub filler spout
17	11500320	Handle button
18	79211085	Flow control



**TOTAL
MAINTENANCE
SOLUTIONS**

HOUSTON
800/392-5066

ORLANDO
800/327-3022

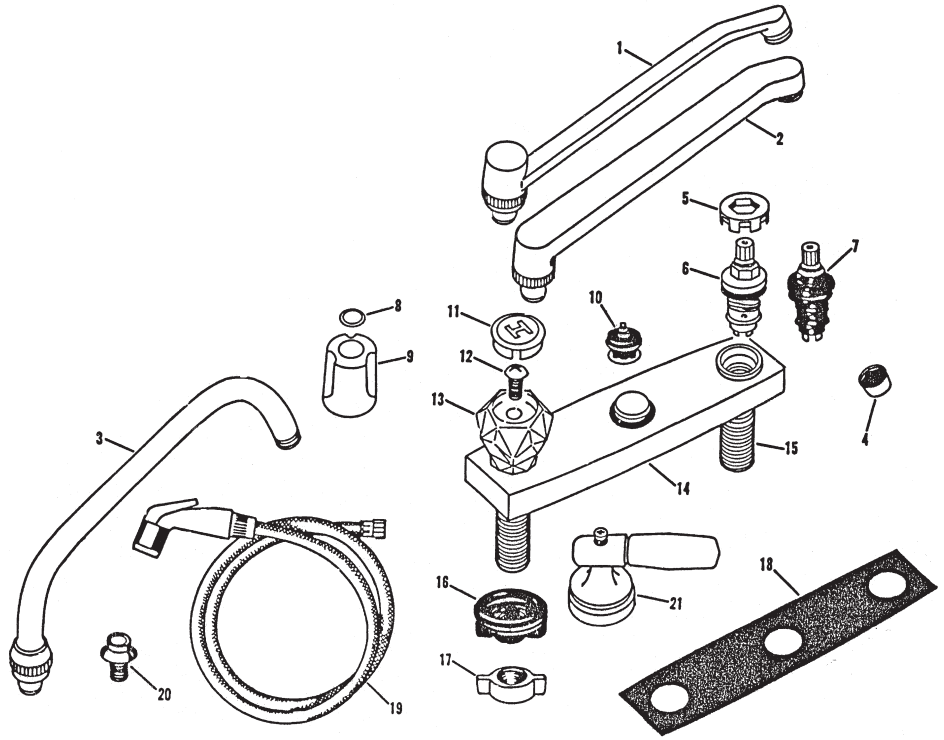
GREENVILLE
800/476-2212

LOOK FOR US ON THE WEB AT: www.TMSSouth.com

FAUCET REPAIR

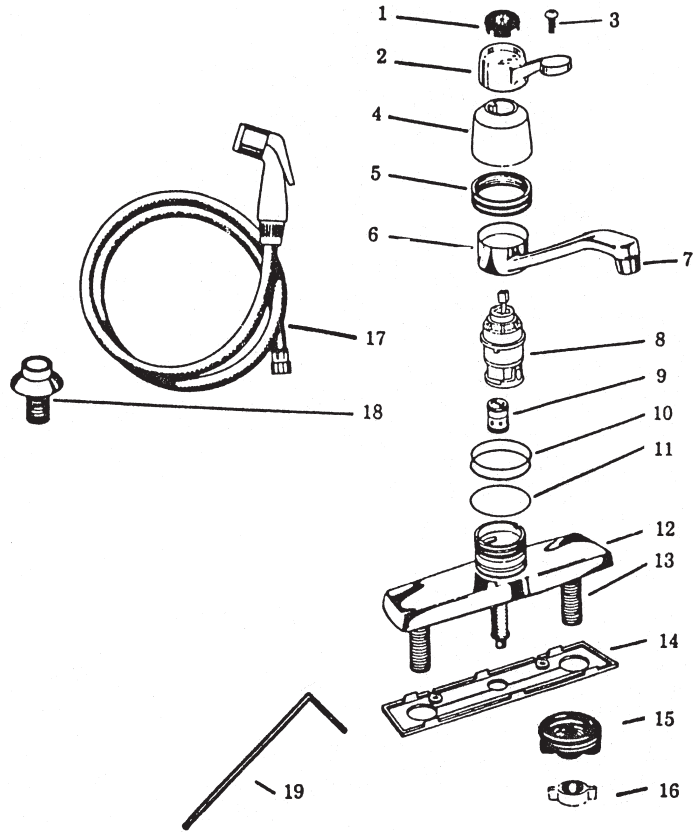
NIBCO 200 SERIES KITCHEN FAUCET

ITEM	PART #	DESCRIPTION
1	11500740	D Spout (Brass)
2	11500730	D Spout (Plastic)
3	11500720	Tube Spout
4	40110144	Aerator
5	11500252	Lock Ring
6	40150119	Cartridge
7	43501002	Reverse Cartridge
8	11500280	Hot Index
	11500260	Cold Index
9	11500120	Handle
10	11500300	Diverter
11	11500700	Hot Index
	11500690	Cold Index
12	11500310	Handle screw
13	11500290	Handle
14		Plated Cover
15	11500130	Underbody – with Spray – NLA
	11500250	Underbody – no Spray – NLA
16	40150126	Locknut
17	11500610	Coupling Nut
18	11500660	Putty Plate
19	45001010	Hose & Spray
20	45731002	Hose Guide
21		Lever Handle



NIBCO 300 SERIES KITCHEN FAUCET

ITEM	PART #	DESCRIPTION
1	11500320	Handle Button
2	11500235	Handle
3	11500750	Screw
4	11500770	Decorative Cap
5	11500780	Hold Down Ring
6	11500800	Spout
7	40110144	Aerator
8	11500140	Cartridge w/ Diverter
	11500150	Cartridge w/o Diverter
9	11500850	Diverter
10	11500810	Hub O-Ring
11	11500820	Friction Washer
12		Cover
13	11500138	Underbody w/ Spray – NLA
	11500240	Underbody No Spray – NLA
14	11500830	Putty Plate
15	40150126	Lock Nut
16	11500610	Coupling Nut
17	45001010	Hose & Spray
18	45731002	Hose Guide
19		Allen wrench



**TOTAL
MAINTENANCE
SOLUTIONS**

HOUSTON
800/392-5066

ORLANDO
800/327-3022

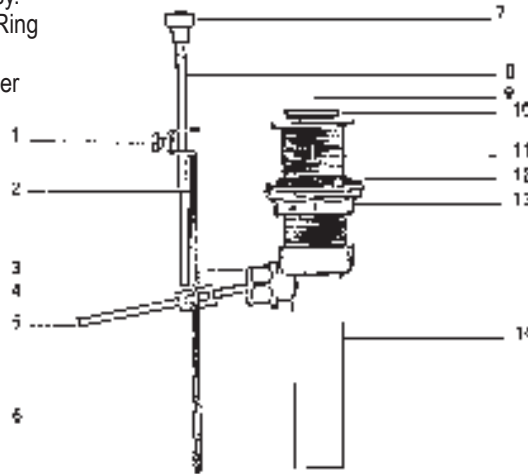
GREENVILLE
800/476-2212

LOOK FOR US ON THE WEB AT: www.TMSSouth.com

FAUCET REPAIR

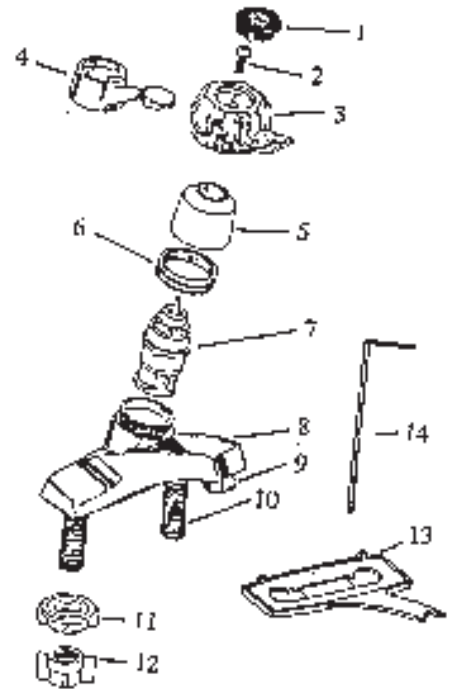
NIBCO 700 SERIES LAVATORY POP-UP

ITEM	PART #	DESCRIPTION
1	11500925	Lower Lift Strap Screw
2	11500930	Friction Washer
3	11500610	Ball Nut
4	11500340	Spring Clip
5	11500190	Ball Rod
6	11500920	Lower Lift Strap
7	11500935	Upper Pull Rod Knob
7-8	11500935	Pop-up rod & knob assy.
9	11500180	Stopper Assy.
10	40950065	Stopper O-Ring
11	11500210	Flange
12	11500950	Mack Washer
13	11500955	Locknut
14	11500200	Tailpiece



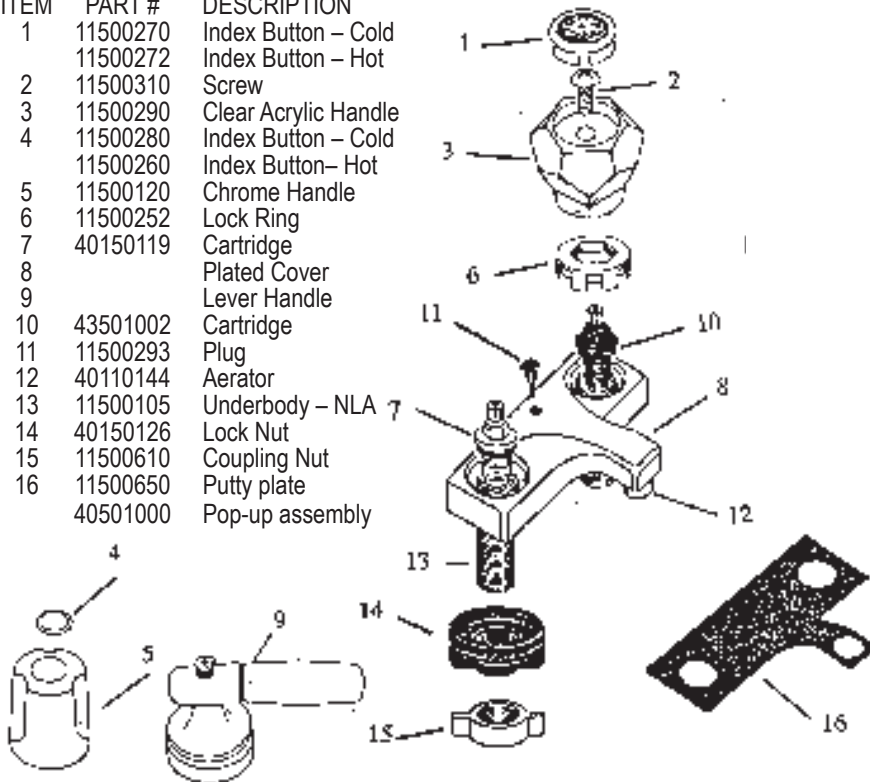
NIBCO 400 SERIES LAVATORY FAUCET

ITEM	PART #	DESCRIPTION
1	11500320	Handle Button
2	11500750	Handle Screw
3	11500760	Acrylic Handle-Clear
4	11500235	Lever Handle
5	11500770	Decorative Cap
6	11500780	Hold Down Ring
7	11500150	Cartridge
8		Plate Cover
9	40110144	Aerator
10	11500100	Underbody - NLA
11	40150126	Lock Nut
12	11500610	Coupling Nut
13	11500790	Putty Plate
14		Allen wrench
15	40501000	Pop-Up Assembly



NIBCO 100 SERIES LAVATORY FAUCET

ITEM	PART #	DESCRIPTION
1	11500270	Index Button - Cold
	11500272	Index Button - Hot
2	11500310	Screw
3	11500290	Clear Acrylic Handle
4	11500280	Index Button - Cold
	11500260	Index Button - Hot
5	11500120	Chrome Handle
6	11500252	Lock Ring
7	40150119	Cartridge
8		Plated Cover
9		Lever Handle
10	43501002	Cartridge
11	11500293	Plug
12	40110144	Aerator
13	11500105	Underbody - NLA
14	40150126	Lock Nut
15	11500610	Coupling Nut
16	11500650	Putty plate
	40501000	Pop-up assembly



Did You Know?

Water regulates the Earth's temperature. It also regulates the temperature of the human body, carries nutrients and oxygen to cells, cushions joints, protects organs and tissues, and removes wastes.



**TOTAL
MAINTENANCE
SOLUTIONS**

HOUSTON
800/392-5066

ORLANDO
800/327-3022

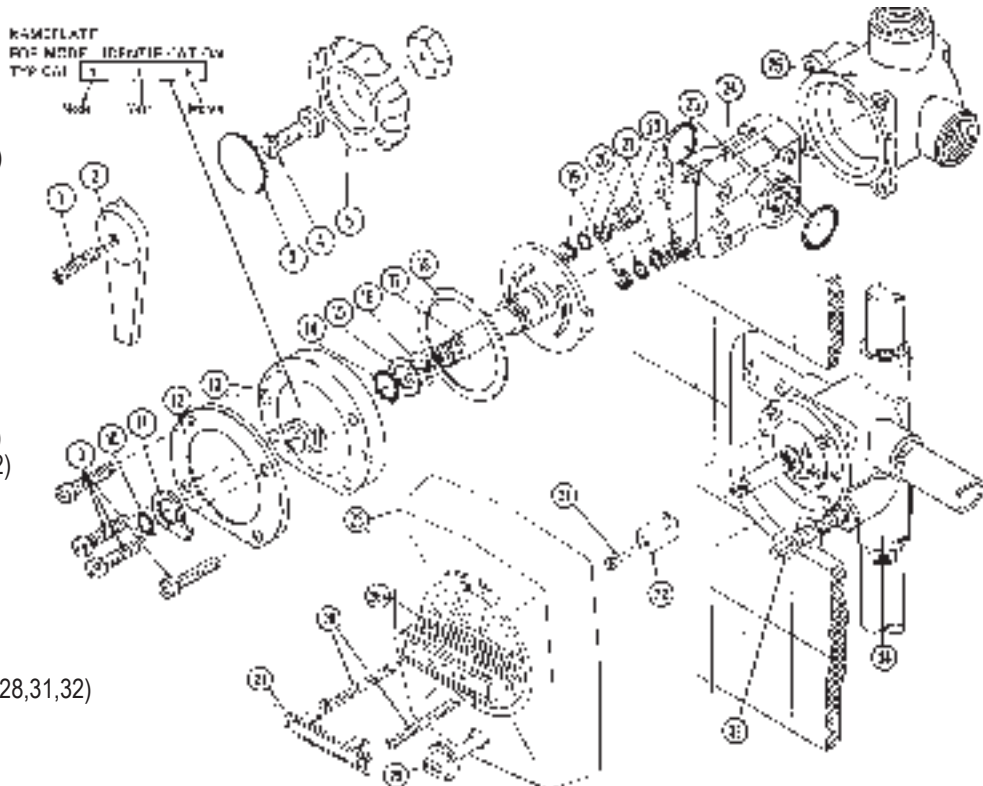
GREENVILLE
800/476-2212

LOOK FOR US ON THE WEB AT: www.TMSSouth.com

FAUCET REPAIR

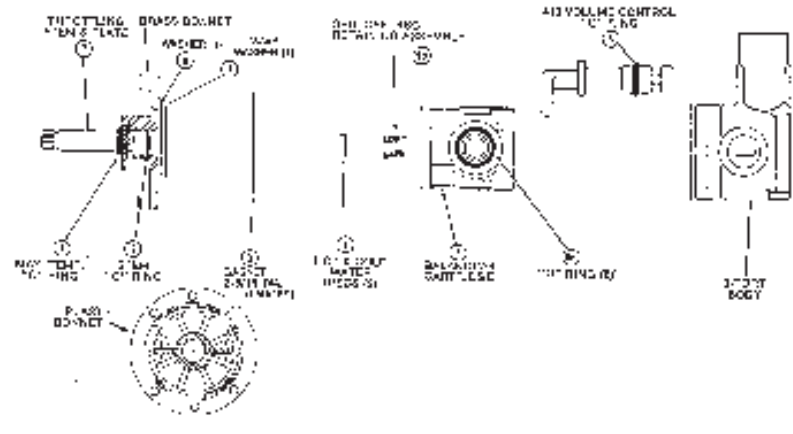
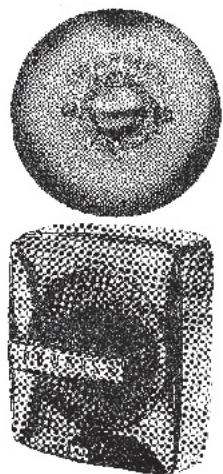
POWERS HYDROGUARD 400 MODELS 1-3

ITEM	PART #	DESCRIPTION
1	24000456	Lever handle screw
2	40150143	Lever handle
3	24000604	Plug button
4	24000450	Handle screw
5	24000242	Handle (items 3,4,5)
9		Bonnet screws (10-24x7/8)
10	40950021	O-Ring (1) (3)
11	24000418	Temperature stop
12		Support ring
13		Bonnet
14	40950021	O-Ring (1) (3)
15	24000412	Flat washer (3)
16	24000414	Wavy washer (3)
17		Adjustment stem (3)
18		Bonnet gasket (1) (2)
19		Shut off disc (1) (2)
20	40950021	O-Ring (2)
21		Guide (2)
22		Spring (2)
23		O-Ring (1) (2)
24		Cartridge (2)
25		Body
26		Dial plate (items 27,28,31,32)
26A		Handle
27	24000600	Plug button
28		Screw (8-32x2)
29		Diverter knob assy.
30		Dial plate w/diverter assy.
31		Screw (8-32x1/2)
32		Stern guide
33		Diverter kit (includes item 30)
34		Body



- (1) Gasket & disc replacement kit TMS Part # 40150106
- (2) Balancing cartridge kit TMS Part # 40150014
- (3) Stem & plate replacement kit TMS Part # 40150013

TROUBLE SHOOTING	REPAIR KIT	WHERE USED	KIT CONTAINS
1. Water leak at stem and/or bonnet. 2. Flow continues after mixer is turned off.	40150106	All models 400-410	1, 2, 3, 4, 5A, 6, & 10
1. Variable or untempered discharge temperature 2. Flow continues after mixer is turned off.	40150014	Models 1-3 400 & 410	3, 4, 5A, & 13
1. Flow continues after mixer is turned off. 2. Handle splines on stem damaged.	40150013	Models 1-3	1, 2, 3, 7, 8, & 9



**TOTAL
MAINTENANCE
SOLUTIONS**

HOUSTON
800/392-5066

ORLANDO
800/327-3022

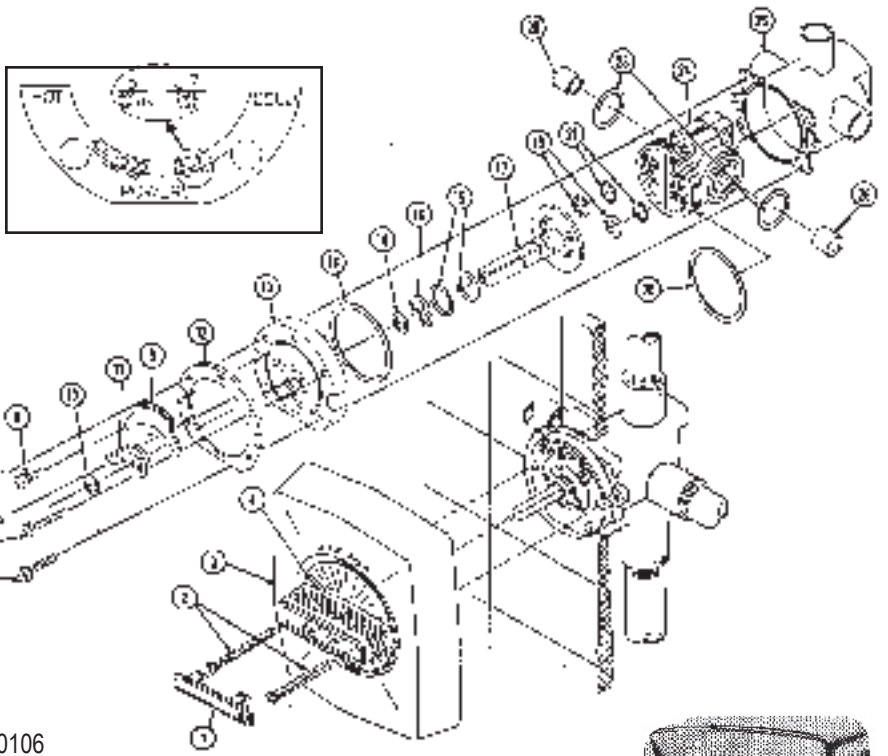
GREENVILLE
800/476-2212

LOOK FOR US ON THE WEB AT: www.TMSSouth.com

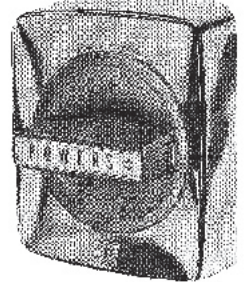
FAUCET REPAIR

POWERS HYDROGUARD 400 MODELS 4-6

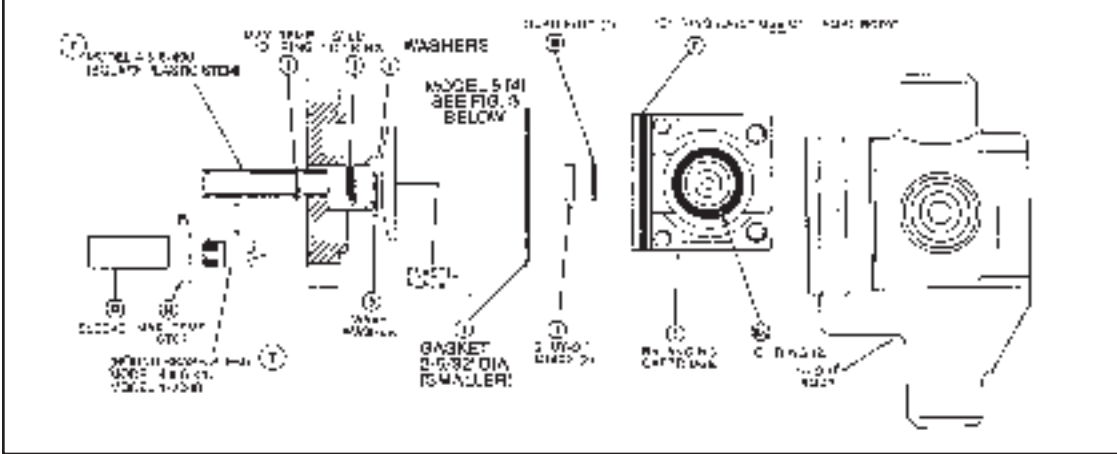
ITEM	PART #	DESCRIPTION
1	24000600	Plug button
2		Screws
3	24000260	Dial assembly (items 1 thru 3)
5		Bonnet screws (10-32x1)
6		Adjustment stop screw
9		Adjustment stop
10	40950021	O-Ring
11		Max. temperature stop
12		Support ring
13		Bonnet
14	40950021	O-Ring
15	24000412	Flat washer
16	24000414	Wavy washer
17		Throttling stem (3)
18		Bonnet gasket (1) (2) (3)
19		Shut off disc (1) (2)
20		O-Ring (1) (2)
21		Quad rings (1) (2)
23		O-Ring (1) (2)
24		Balance chamber (2)
25		Body -specify 3 or 4 port
26		Strainer caps (2)



- (1) Gasket & disc replacement kit TMS Part # 40150106
- (2) Balancing cartridge kit for model 4 & 6 TMS Part # 40150021
- (3) Stem & plate replacement kit model 4 & 6 TMS Part # 40150018



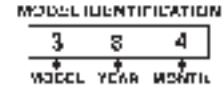
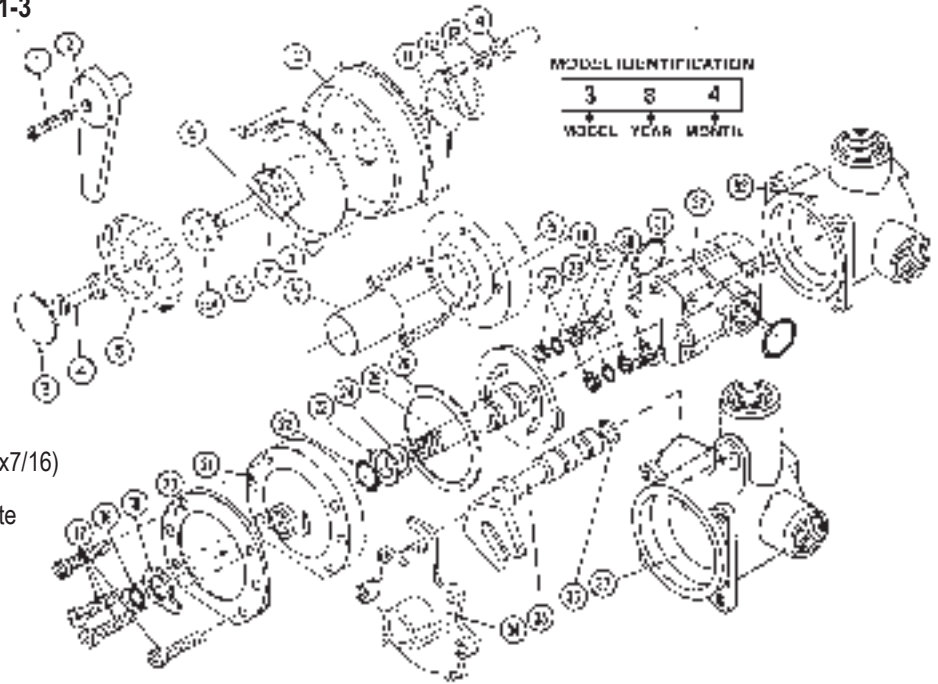
TROUBLE SHOOTING	REPAIR KIT	WHERE USED	KIT CONTAINS
1. Water leak at stem and/or bonnet. 2. Flow continues after mixer is turned off.	40150106	All models 400-410 2000	1, 2, 3, 4, 5A, 6, & 10 Use item 11 on 4 port body only
1. Variable or untempered discharge temperature. 2. Flow continues after mixer is turned off.	40150021	Models 4 & 6 400 & 410 Model 5, 410	3, 4, 5A, 10, & 11 Use item 11 on 4 port body only
1. Flow continues after mixer is turned off. 2. Handle splines on stem damaged.	40150018 40150013	Model 4 & 6, 400 Model 4 & 5 410 only Model 1, 2000	1, 2, 3, 7, 8, & 9 1, 2, 3, 7, 8, & 9



FAUCET REPAIR

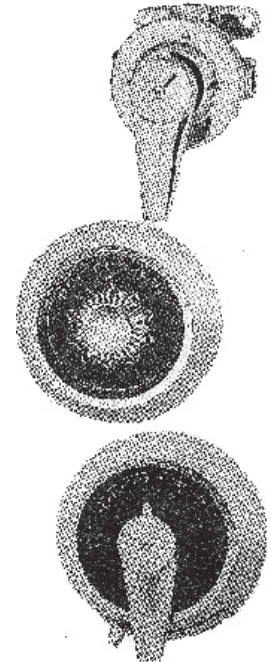
POWERS HYDROGUARD 410 MODELS 1-3

ITEM	PART #	DESCRIPTION
1	24000456	Lever handle screw
2	40150143	Lever handle
3	24000604	Plug button
4	24000450	Handle screw
5	24000242	Handle (items 3,4,5)
5A		Handle insert
6		Sleeve
7		Retainer
8		Dial insert
9		Screws
10		Dial plate
11		Volume lever
12		Retainer
13		Nut
14		Sleeve
15		Exposed dial screw (8-32x7/16)
16		Exposed dial
16A		Dial sleeve – specify Lucite or lever
17		Screw (10-24x7/8)
18	40950021	O-Ring (1) (3)
19	24000418	Adjustable limit stop
20		Support ring
21		Bonnet
22	40950021	O-Ring (1) (3)
23	24000412	Flat washer (3)
24	24000414	Wavy washer (3)
25		Stem (3)
26		Bonnet gasket (1) (2) (3)
27		Shut off disc (1)
28	40950021	O-Ring (2)
29		Guide (2)
30		Spring (2)
31		O-Ring (1) (2)
32		Cartridge (2)

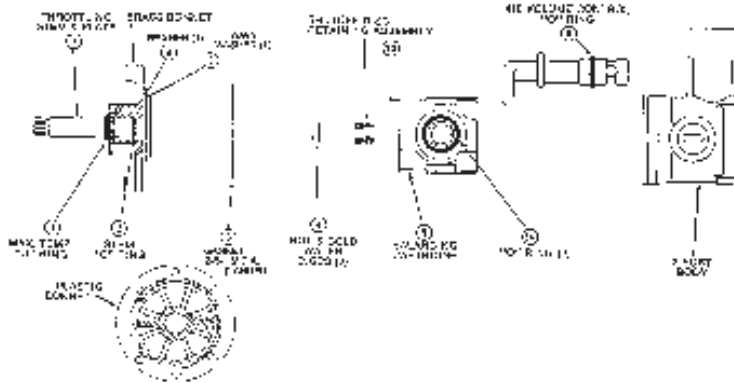


ITEM	PART #	DESCRIPTION
33		Body
34		Bonnet
35		Volume valve assembly
36	40950021	O-Ring (1)
37		Body

- (1) Gasket & disc replacement kit TMS Part # 40150106
- (2) Balancing cartridge kit TMS Part # 40150014
- (3) Stem & plate replacement kit TMS Part # 40150013



TROUBLE SHOOTING	REPAIR KIT	WHERE USED	KIT CONTAINS
1. Water leak at stem and/or bonnet 2. Flow continues after mixer is turned off	40150106	All models 400-410	1,2, 3,4,5A,6 & 10
1. Variable or untempered discharge temperature 2. Leakage after mixer is turned off	40150014 400 & 410	Model 1-3 400 & 410	3,4,5,5A, & 13
1. Flow continues after mixer is turned off 2. Handle splines on stem damaged	40150013	Model 1-3	1,2,3,7,8 & 9



HOUSTON
800/392-5066

ORLANDO
800/327-3022

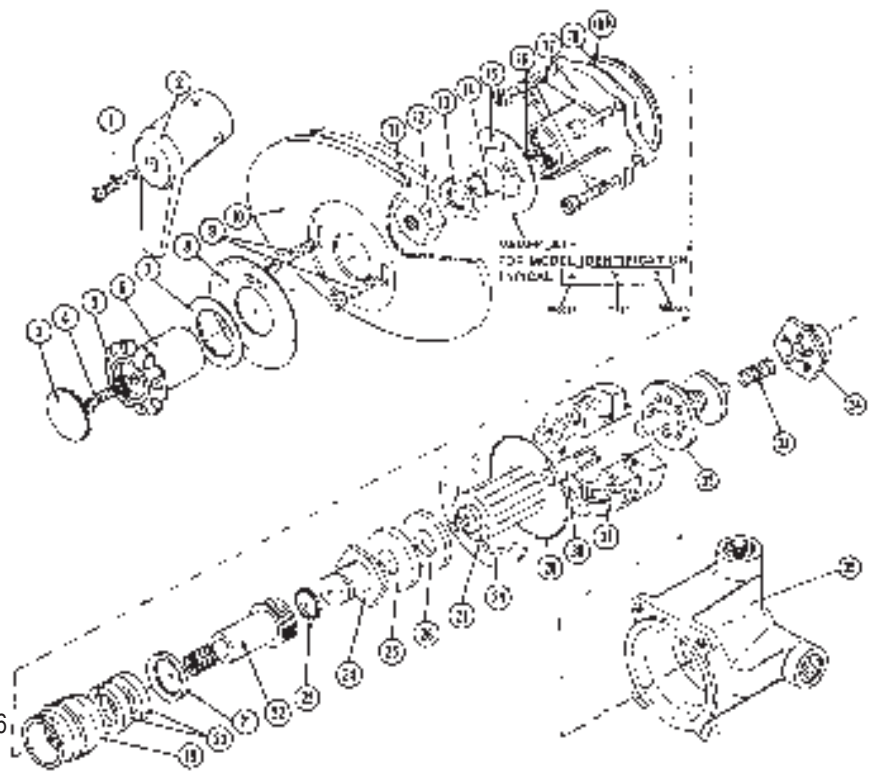
GREENVILLE
800/476-2212

LOOK FOR US ON THE WEB AT: www.TMSSouth.com

FAUCET REPAIR

POWERS HYDROGUARD 420

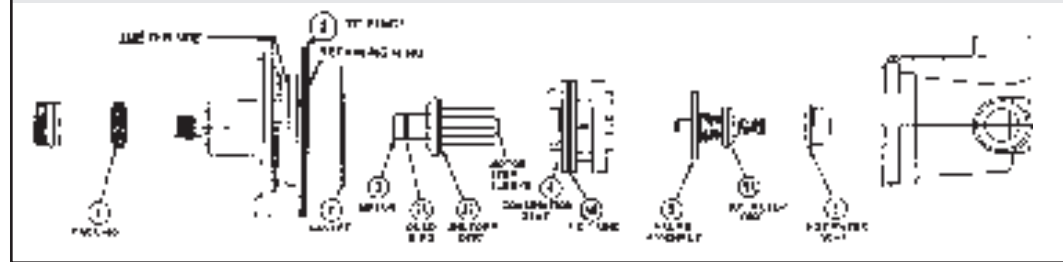
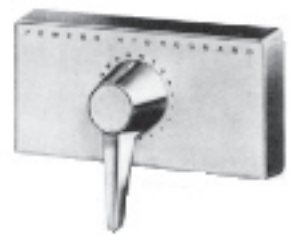
ITEM	PART #	DESCRIPTION
1	40150131	Handle screw
2	24000620	Lever handle assembly
3	24000470	Plug button
4	34990150	Handle screw
5		Washer
6	24000142	Lucite handle w/ sleeve
7		Retainer
8		Dial insert
9		Screw (8-32x1-1/2)
10		Dial plate – concealed oval Dial – exposed round
11		Gasket
12		Handle adapter
13		Temp. stop – models 4,5,6 Temp. stop – model 7
14		Spacer sleeve
15		Identification tag
16		Screw (10-24x9/16)
17		Bonnet
18		Bonnet gasket (1) (2) (3) (4)
18A		Bonnet O-Ring (1) (2) (3) (4)
19		Packing gland
20		Packing rings (1)
21		Packing stop ring
22		Adjustment stem – models 4,5,6 Adjustment stem – model 7
23		Motor quad ring (1) (2)
24		Shut-off disc nut (2)
25		Shut-off disc retainer (2)
26		Shut-off disc (1) (2)
27		Thermal motor (2)
28		Spacer ring
29		Combination seat o-ring (1) (3) (4)
30		Motor sleeve (2) (3)
31		Combination seat (4)
32		Valve assembly (3)



ITEM	PART #	DESCRIPTION
33		Valve return spring (3)
34		Hot water seat (3)
35		Body

(1) Gasket & disc replacement kit TMS Part #24000148
 (2) Motor replacement kit 65-115 F. TMS Part #24000150
 (3) Valve & hot water seat kit models 1-4 TMS Part #24000146
 (3) Valve & hot water seat kit models 5-7 TMS Part #40150022
 (4) Combination seat replacement kit (Std. capacity) TMS Part #24000154

TROUBLESHOOTING	REPAIR KIT	WHERE USED	KIT CONTAINS
1. Water leak at stem and/or bonnet.	24000148	All Models	1, 2, 3A, 3B, 4A & 8
2. Flow continues after mixer is turned off.			
3. Variable or untempered discharge temperature.	24000150	All Models	2, 3, 3A, 3B, 7 & 8
4. Flow continues after mixer is turned off due to worn hot water seat – item 6.	24000146	Models 1-4	2, 4A, 5, 6, 7 & 8
5. Variable temperature continues after replacement of motor.	40150022	Models 5-7	2, 4A, 5, 6, 7 & 8
6. Flow of water continues after mixer is turned off and shut-off disc (item 3B) and/or hot water seat (item 6) has been replaced.	24000154	All Models	2, 4, 4A & 8



**TOTAL
MAINTENANCE
SOLUTIONS**

HOUSTON
800/392-5066

ORLANDO
800/327-3022

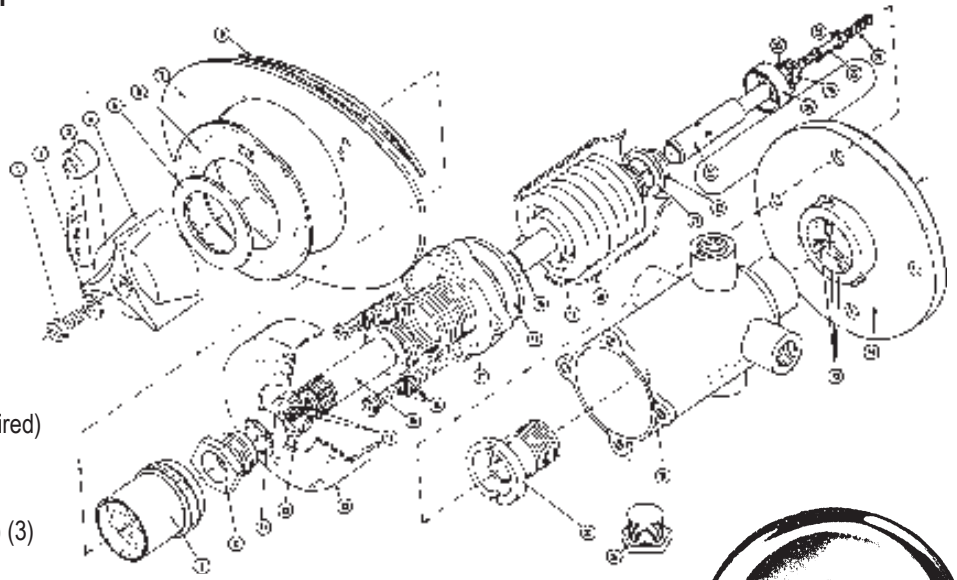
GREENVILLE
800/476-2212

LOOK FOR US ON THE WEB AT: www.TMSSouth.com

FAUCET REPAIR

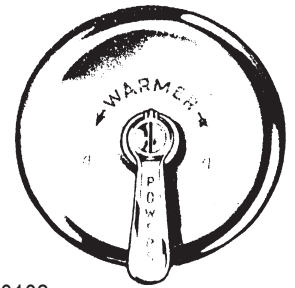
POWERS HYDROGUARD 427/428 "H"

ITEM	PART #	DESCRIPTION
1	24000486	Tri handle screw Lever handle screw
2	24000498	Washer (1)
3	24000092	Lever handle
4	24000096	Tri handle
5		Plug button
6		Dial insert
7		Dial plate
8		Dial gasket
9		Lock ring
10		Packing gland
11		Packing ring (1)
12		Packing stop ring
13		Dial plate – exposed
14		Limit screws (2 required)
15		Adjustment stem
16		Bonnet screws
17		Bonnet
18		Bonnet gasket (1) (2) (3)
19		Thermal motor (3)
20		Baffle cylinder
21		Shut-off disc (1) (3)
22		Retainer ring (1)
23		Overload spring assembly (2)
24		Mixer piston (2)
25		Washer (5 GPM only) (2)
26		Valve disc (2)
27		Disc holder (2)
28		Retaining screw (1) (2)
29		Return spring (2)
30		Piston cylinder (2)

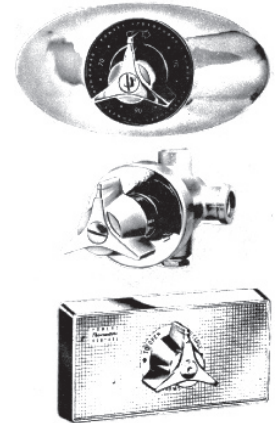


ITEM	PART #	DESCRIPTION
31		Body
32		Pipe plug
33		Screw (1/4-20x3/8)
34		Wall flange
35		Quad ring (1) (3)

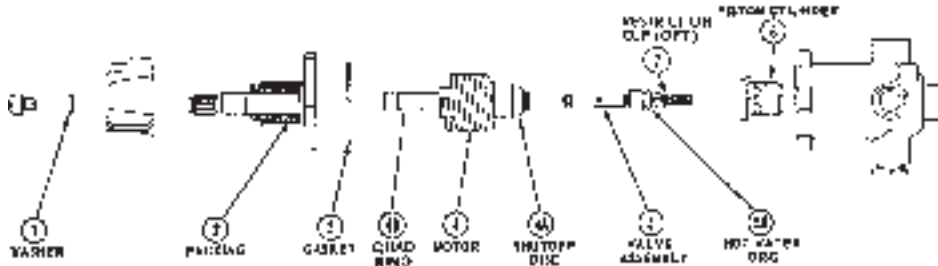
- (1) Gasket & disc replacement kit – TMS Part # 24000102
- (2) Valve & cylinder kit – 5 GPM TMS Part # 24000108
- (3) Motor replacement kit 65 – 115 F. TMS Part # 24000114



TROUBLE SHOOTING	REPAIR KIT	WHERE USED	KIT CONTAINS
1. Water leak at stem and/or bonnet. 2. Flow continues after mixer is turned off	24000099	All models	1,2, 3,4A ,4B & 5A
3. Variable or untempered discharge temperature (Lime deposits can be removed by use of various commercially available products.)	24000108	All models *	3,5,5A,6 & 7
4. If items 5 & 6 are free of lime and free moving and discharge temperature is variable or untempered	24000114	All models	3,4,4A & 4B



* The valve assembly (item 5) and cylinder (item 6) must both be replaced at the same time when using this kit. Do not use the new valve assembly with an old cylinder, or vice versa.
Note: If mixer has a serial number of 1946 or under, complete replacement of internal parts are required



**TOTAL
MAINTENANCE
SOLUTIONS**

HOUSTON
800/392-5066

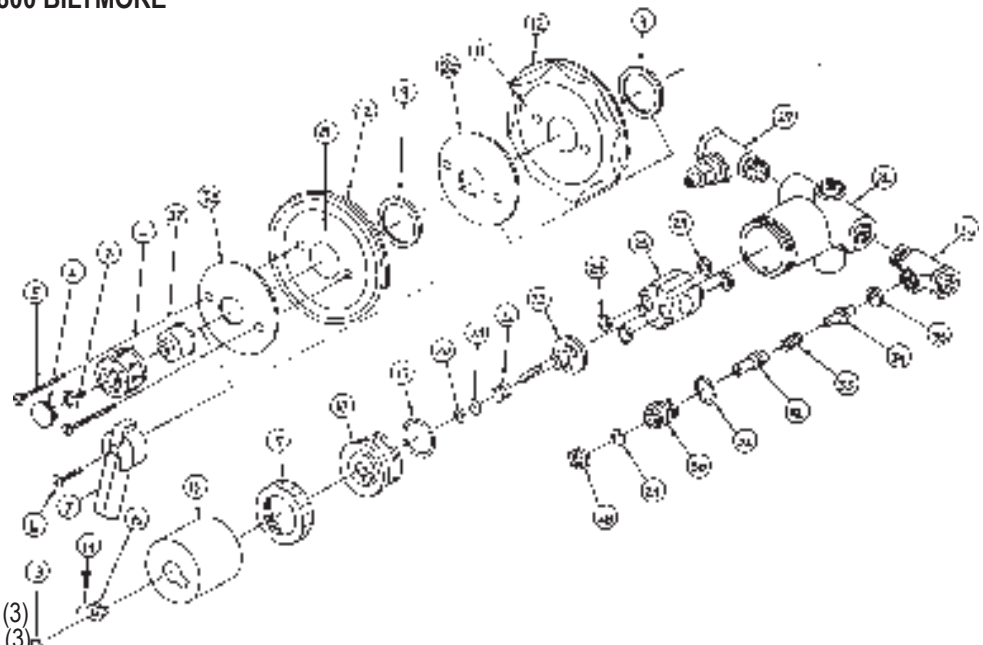
ORLANDO
800/327-3022

GREENVILLE
800/476-2212

LOOK FOR US ON THE WEB AT: www.TMSSouth.com

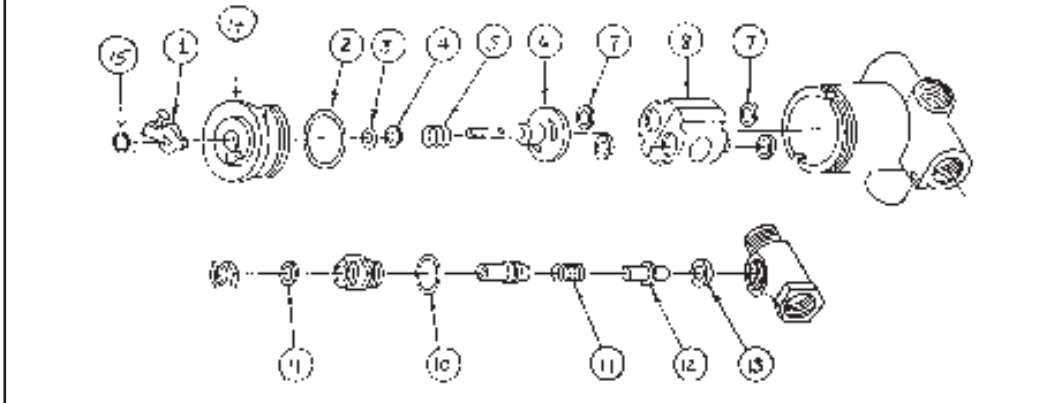
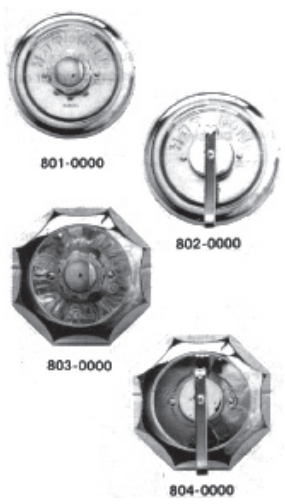
POWERS HYDROGUARD SERIES 800 BILTMORE

ITEM	PART #	DESCRIPTION
1		Plug button
2	34990150	Screw (8-32x3/4)
4	24000510	Acrylic knob kit
5		Screw (8-32x3)
6		Screw (8-32x5/8)
7	24000512	Lever handle kit
8		Round dial
9		Gasket
10		Insert – hex
11		Insert – round dial
12		Adhesive gasket
13		O-Ring (1) (2) (3)
14		Screw (2) (3)
15		Limit stop (2) (3)
16		Sleeve
17		Bonnet retainer
18		Bonnet
19	40950062	O-Ring (1) (2) (3)
20	40950034	O-Ring (1) (2) (3)
21		Washer (2) (3)
22		Spring (2) (3)
23		Stem assembly (2) (3)
24		Throttle disc (1) (2) (3)
25		Balance cartridge (3)
26		Body
27		Screw or swt check
28		Bonnet nut
29		Bonnet seal (1) (4)
30		Bonnet
31		Bonnet gasket (1) (4)
32		Stem
33		Plunger spring (4)



ITEM	PART #	DESCRIPTION
34		Plunger (4)
35		Plunger disc (1) (4)
36		Body – screw or swt
37		Plastic insert
(1) Soft components kit TMS Part # 24000508		
(2) Stem & plate replacement kit TMS Part # 24000702		
(3) Internal rebuild kit TMS Part # 24000526		
(4) Checkstop rebuild kit TMS Part # 24000704		

TROUBLE SHOOTING	REPAIR KIT	WHERE USED	KIT CONTAINS
1. Water leak at stem and/or bonnet.	24000508	All models	2,3,7(4),9(2)
2. Flow continues after mixer is turned off			10(2),13(2) & 15
3. Flow continues after mixer is turned off	24000702	All models	1,2,3,4,5,6,7(2)
4. Handle splines on stem damaged			15
5. Variable or untempered discharge temperature	24000526	All models	2,3,4,5,6,7(4) 8,15
6. Checkstop will not shut-off or allow full flow	24000704	All models	9(2),10(2),11(2)
7. Crossover			12(2),13(2)



**TOTAL
MAINTENANCE
SOLUTIONS**

HOUSTON
800/392-5066

ORLANDO
800/327-3022

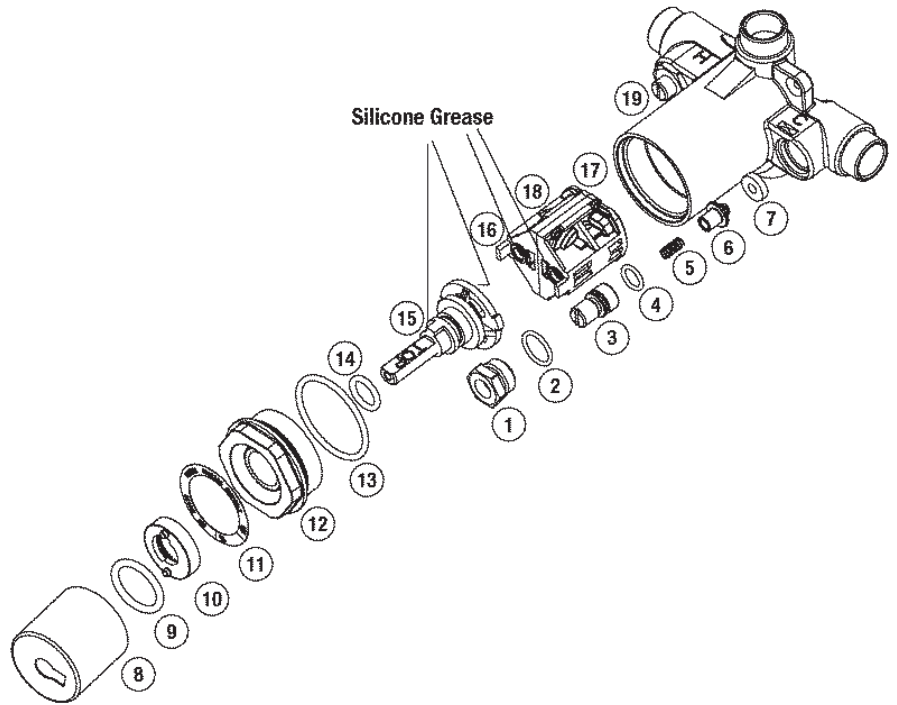
GREENVILLE
800/476-2212

LOOK FOR US ON THE WEB AT: www.TMSSouth.com

FAUCET REPAIR


POWERS HYDROGUARD SERIES 900 BILTMORE

ITEM	PART #	DESCRIPTION
1		Bonnet nut (1)
2		O-ring (1) (2)
3		Check Stem (1)
4		O-ring (1)
5		Spring (1)
6		Poppet (1)
7		Disc (1) (2)
8		Sleeve
9		O-ring (2)
10		Limit stop (3)
11		Name plate (2)
12		Bonnet (2)
13		O-ring (2) (3)
14		O-ring (2) (3)
15		Stem assembly (2)
16		Outlet seal (2) (3)
17		O-ring (2) (3)
18		Cartridge (2)




- (1) Stop repair Kit
- (2) Internals Replacement Kit
- (3) Gasket & Disc Replacement Kit

POWERS HANDLES



Lever handle
PART # 40150095

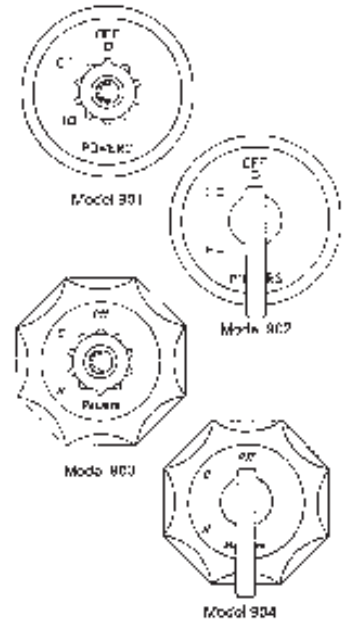
Handle Screw
PART # 40151200



Knob
PART # 40150095

MODEL IDENTIFICATION		
1	A	26
Model	Year	Week

Located on mylar label adhered to bonnet nut



TROUBLESHOOTING & REPAIR KITS		
DESCRIPTION	TROUBLESHOOTING	REPAIR KIT #
Gasket & Disc Replacement (mixer and checkstops)	<ul style="list-style-type: none"> • Water leaks at valve stem and/or bonnet • Water leaks at valve shut-off • Water leaks at checkstop. 	24000528 (Models 1 and 2)* 40151201 (Model 3)
Internals Replacement	<ul style="list-style-type: none"> • With mixer handle in MID position, hot water flows with cold water checkstop closed or cold water flows with hot water checkstop closed. 	24000532 (Model 1) 40150055 (Model 2) 40151202 (Model 3)
Checkstop Replacement	<ul style="list-style-type: none"> • Checkstop will not completely shut off. 	40151203 (Models 1 & 2) 40151204 (Model 3)



TOTAL MAINTENANCE SOLUTIONS

HOUSTON
800/392-5066

ORLANDO
800/327-3022

GREENVILLE
800/476-2212

LOOK FOR US ON THE WEB AT: www.TMSSouth.com

FAUCET REPAIR

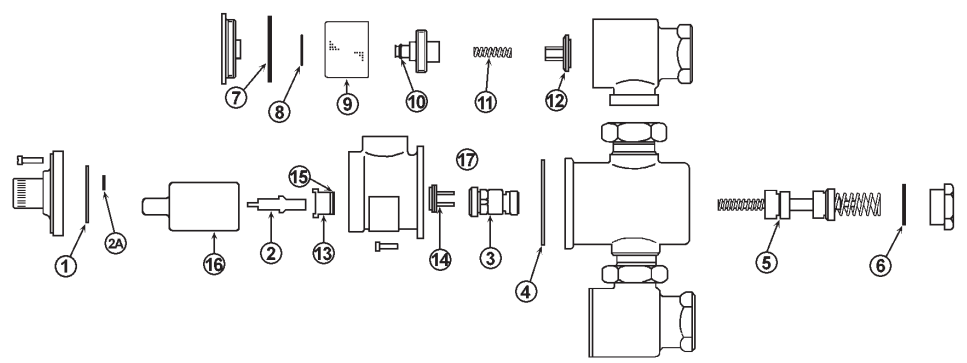
REPAIR KITS FOR HYDROGUARD 430 SERIES VALVES

PART DESCRIPTION	REPAIR KIT INCLUDES	MODEL 431	MODEL 432	MODEL 433	MODEL 434
Thermal actuator	1, 2, 4, 13 & 15	41001029	41001035	41001039	41001044
Strainer replacement	7, 8, 9, & 10	41001030	41001030	41001030	41001030
Checkstop replacement	7, 8, 10, 11, & 12	41001234	41001234	41001040	41001040
Gasket & Disc replacement	1, 2A, 4, 6, 7, 8, 10, & 12	41001032	41001036	41001041	41001045
Mixing valve replacement	3, 4, 5, & 6	41001033	41001037	41001042	41001235
Upgrade kits for older valves Shipped prior to 1/1/2001	1, 2, 2A, 4, 13-17	41001034	41001038	41001043	41001236



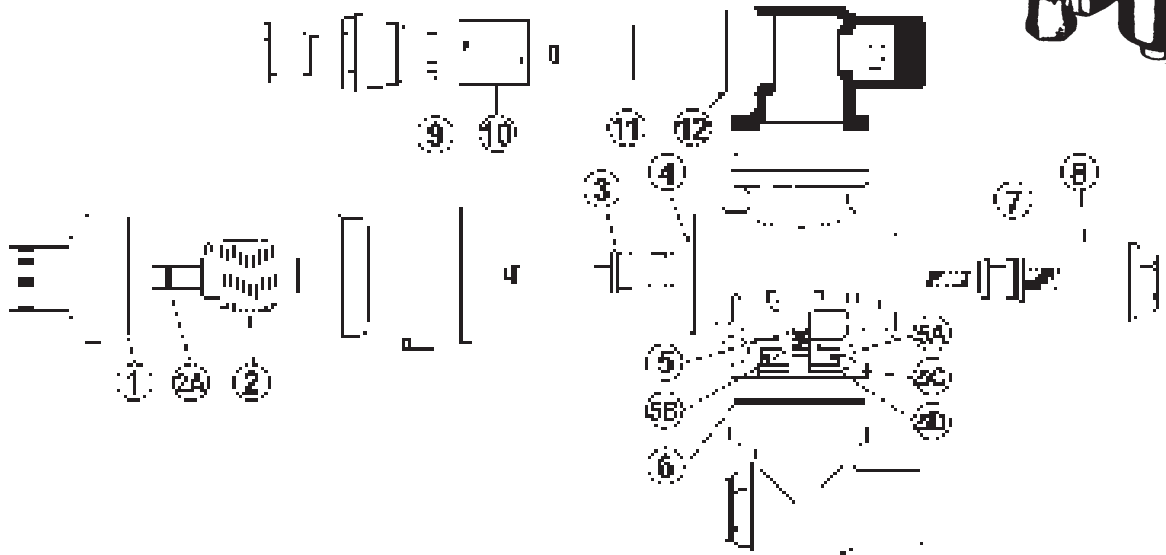
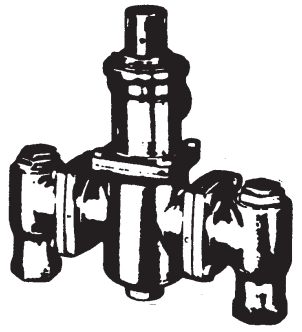
ITEM DESCRIPTION

- 1 Gasket
- 2 Actuator
- 2A O-ring
- 3 Hot water poppet and overload assembly
- 4 O-ring
- 5 Cold water poppet and Motor failure spring assembly
- 6 O-ring
- 7 O-ring
- 8 Gasket
- 9 Screen
- 10 O-ring
- 11 Spring
- 12 Poppet assembly



REPAIR KITS FOR HYDROGUARD 430 "N" SERIES VALVES

KIT	MODEL N-45	MODEL N-125
Upgrade Kit	41001038	41001236
See 430 Series drawing: includes items 1, 2, 2A, 4, 13-17		



TOTAL MAINTENANCE SOLUTIONS

HOUSTON
800/392-5066

ORLANDO
800/327-3022

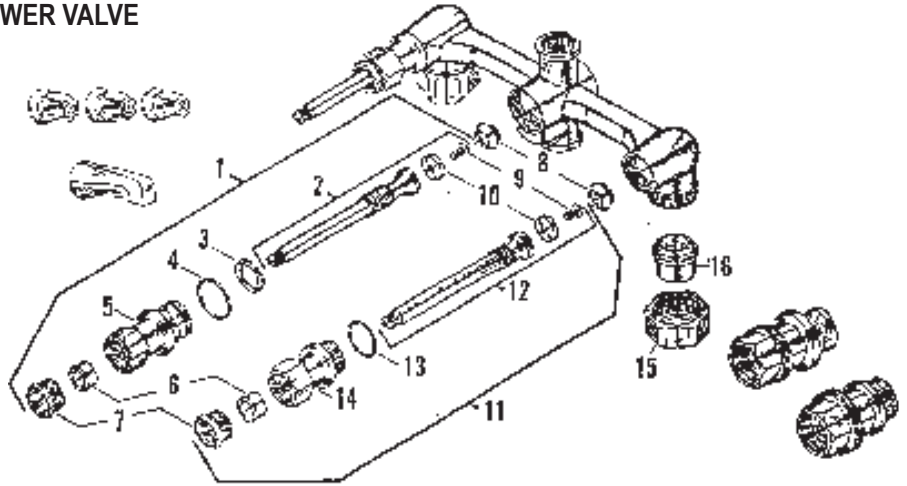
GREENVILLE
800/476-2212

LOOK FOR US ON THE WEB AT: www.TMSSouth.com

FAUCET REPAIR

PRICE PFISTER BEAUX ART TUB & SHOWER VALVE

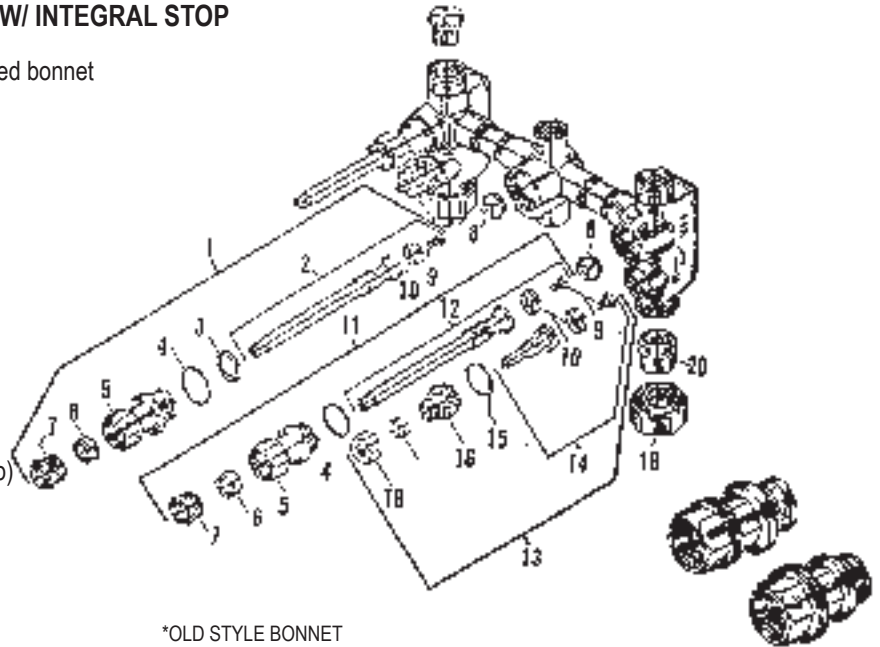
ITEM	PART #	DESCRIPTION
1	40171037	Diverter assembly
2		Stem & washer
3	12890630	Washer
4	12890610	Washer
5		Bonnet
6		Packing
7	12891674	Packing nut
8	40150063	Valve seat
9	12890730	Screw
10	40110136	Flat washer
11	40150112	Stem & bonnet
12		Stem
13	12890620	Washer
14		Bonnet
15		Coupling nut
16		Nipple



*OLD STYLE BONNET

PRICE PFISTER 8" TUB & SHOWER VALVE W/ INTEGRAL STOP

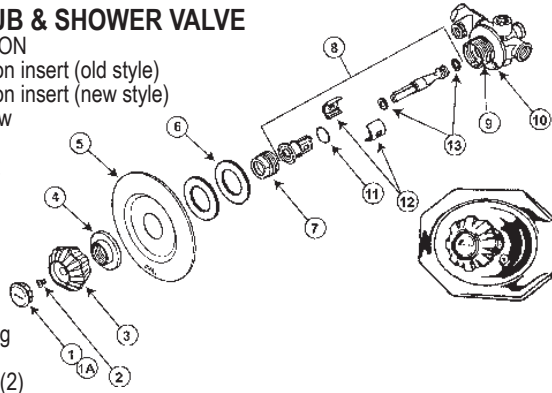
ITEM	PART #	DESCRIPTION
1	43555000	Diverter - "old style" - w/ threaded bonnet
1A	43555001	Diverter - "new style"
2		Stem & washer
3	12890630	Washer
4	12890640	Washer
5		Bonnet
6	12890690	Packing
7	12891674	Packing nut
8	40150063	Valve seat
9	12890730	Screw
10	40110136	Flat washer
11	43555002	Stem & bonnet - "old style" with threaded bonnet
	40150002	Stem & bonnet - "new style"
12		Stem & washer
13	43551062	Stem & bonnet assembly (stop)
14		Stem & washer
15	12892572	Washer
16		Bonnet
17	12892900	Packing
18		Stem nut
19		Coupling nut
20		Nipple
	40150089	Rebuild kit



*OLD STYLE BONNET

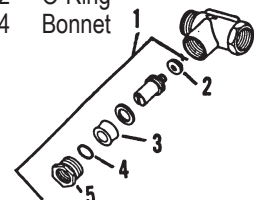
PRICE PFISTER AVANTE TUB & SHOWER VALVE

ITEM	PART #	DESCRIPTION
1	12890325	Handle button insert (old style)
1A	12892375	Handle button insert (new style)
2	12893672	Handle screw
3	12892368	Handle
4	12891924	Retainer nut
5	12893244	Wall flange
6	12892544	Spacer
7	12893392	Collar
8	40150001	Cartridge
9	12893918	Retainer
10	12893668	Screw
11	40950033	Bonnet o-ring
12	12890865	Seals (2)
13	40950023	Stem o-ring (2)



INTEGRAL STOP PARTS

ITEM	PART #	DESCRIPTION
1	43551060	Stem & bonnet
2	40110118	Washer
3	12890690	Packing
4	12892582	O-Ring
5	12891674	Bonnet



**TOTAL
MAINTENANCE
SOLUTIONS**

HOUSTON
800/392-5066

ORLANDO
800/327-3022

GREENVILLE
800/476-2212

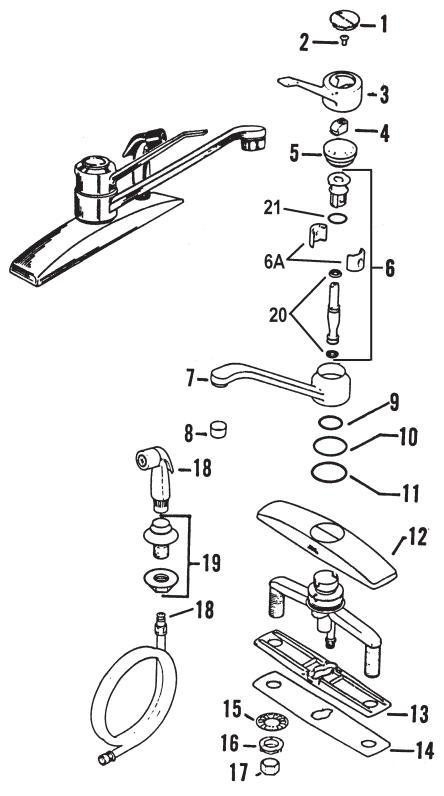
LOOK FOR US ON THE WEB AT: www.TMSSouth.com

FAUCET REPAIR

PRICE PFISTER AVANTE SINK FAUCET

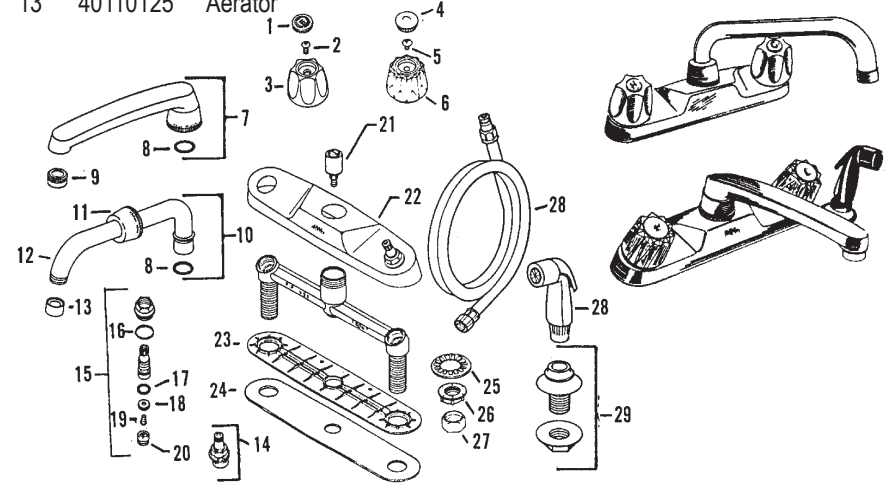
ITEM	PART #	DESCRIPTION
1	12890510	Handle button
2	12893672	Handle screw
3	12890295	Handle
4	12890970	Yoke
5	12890722	Retainer ring
6	40150001	Cartridge assembly
6A	12890865	Cartridge repair kit (2 pieces)
7	12891666	Spout
8	40110144	Aerator
9	40950070	O-Ring
10	40950082	O-Ring
11	40950091	O-Ring
12		Housing
13		Bottom plate
14		Seal gasket
15	40800529	Rosette washer
16	40800598	Locknut
17	40800454	Coupling nut
18	40110165	Spray head & hose
19	45731002	Hose guide assembly
*	12890664	Diverter
	12890000	Diverter w/ removal tool
20	40950023	Stem o-ring
21	40950033	Bonnet o-ring

*Not shown



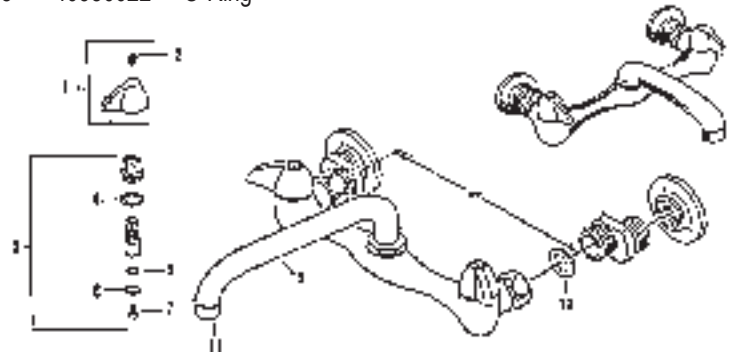
PRICE PFISTER VERVE & WINDSOR SINK FAUCET

ITEM	PART #	DESCRIPTION	ITEM	PART #	DESCRIPTION
1	12890430	Cold index	14	40150082	Cartridge assembly
	12890460	Hot index	15	40150000	Stem & bonnet assembly
2	12890192	Handle screw	16	41720490	Gasket
3	12890290	Handle	17	40950022	O-Ring
1-3	12890450	Cold handle kit	18	40110118	Washer
	12890480	Hot handle kit	19	50100010	Screw
4	12890386	Cold index	20	40150097	Seat
	12890384	Hot index	21	40150333	Diverter
5	12890750	Handle screw	22		Housing
6	12890300	Handle - clear acrylic	23		Bottom plate
7	12891574	Spout assembly	24		Seal gasket
8	40110144	O-Ring	25	40800529	Washer
9	40110131	Aerator	26	40800598	Locknut
10	12890110	Spout assembly	27	40800454	Coupling nut
11	12893396	Spout nut	28	40110165	Hose & spray
12	12891556	Spout	29	45731002	Hose guide assy.
13	40110125	Aerator			



PRICE PFISTER SHASTA SINK FAUCET

ITEM	PART #	DESCRIPTION	ITEM	PART #	DESCRIPTION
1	12890200	Hot handle assembly	6	40110118	Seat washer
	12890191	Cold handle assembly	7	50100010	Bibb screw
2	12890192	Handle screw	8	40150097	Seat (not shown)
3	43551002	Hot stem assembly	9	12890112	8" spout assembly
	43551001	Cold stem assembly	10	12890642	Flange gasket
4	41720410	Gasket	11	40110125	Spout aerator
5	40950022	O-Ring			

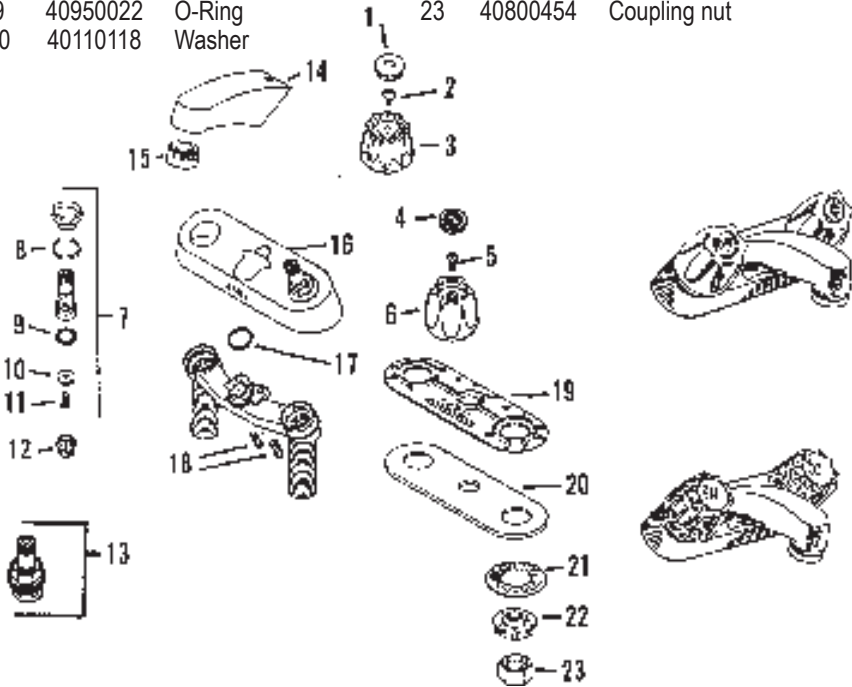


HOUSTON 800/392-5066 **ORLANDO** 800/327-3022 **GREENVILLE** 800/476-2212
 LOOK FOR US ON THE WEB AT: www.TMSSouth.com

FAUCET REPAIR

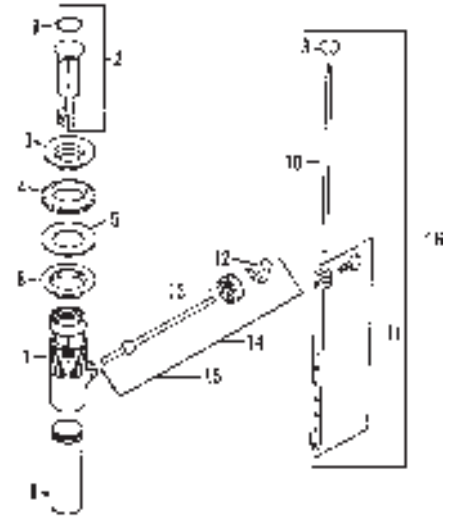
PRICE PFISTER VERVE & WINDSOR LAVATORY

ITEM	PART #	DESCRIPTION	ITEM	PART #	DESCRIPTION
1	12890386	Cold index	11	50100010	Washer screw
	12890384	Hot index	12	40150097	Seat
2	12890750	Handle screw	13	40150082	Cartridge – washerless
3	12890300	Handle – chrome	14		Spout
4	12890430	Cold index	15	40110131	Aerator
	12890460	Hot index	16		Housing
5	12890192	Handle screw	17	41001004	O-Ring
6	12890290	Handle – chrome	18		Screws
4-6	12890450	Handle kit – cold	19		Bottom plate
	12890480	Handle kit – hot	20		Seat gasket
7	40150000	Stem & bonnet RH	21	40800529	Friction washer
8	41720490	Gasket	22	40800598	Locknut
9	40950022	O-Ring	23	40800454	Coupling nut
10	40110118	Washer			



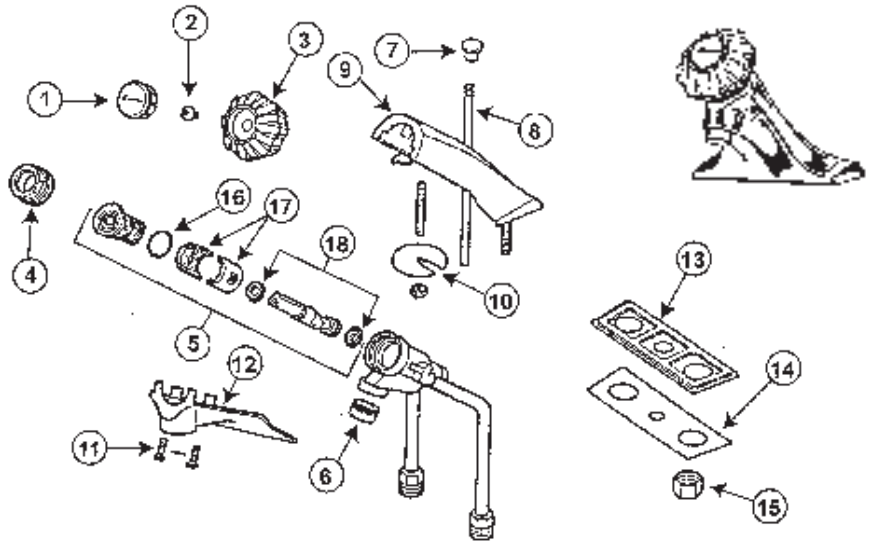
PRICE PFISTER POP-UP WASTE

ITEM	PART #	DESCRIPTION
1	40950037	Stopper o-ring
2	40150138	Stopper assembly
3		Flange
4		Washer
5	12890660	Washer
6		Locknut
7		Body
8	40801066	Tailpiece
9	12890410	Pop-up knob
10	12890520	Pop-up rod
11	12890540	Thumb screw & strap
12	40150066	Clip
13	12890500	Nut
14	40150085	Rod & ball – 6"
15	12890570	Rod & ball – 10"
16	40100214	TMS pop-up assy.
	40682204	TMS stopper



PRICE PFISTER AVANTE LAVATORY

ITEM	PART #	DESCRIPTION
1	12890325	Insert button (old style)
	12892375	Insert button (new style)
2	12893672	Handle screw
3	12892368	Handle
4	12893392	Collar nut
5	40150001	Cartridge assembly
6	40110131	Aerator
7	12890410	Pop-up knob
8	12890520	Pop-up rod
9		Housing
10	12890650	Washer
11		Cover screws
12		Cover
13		Bottom plate
14		Seal gasket
15	40800454	Coupling nut
16	40950033	O-ring
17	12890865	Seal (2)
18	40950023	O-ring



**TOTAL
MAINTENANCE
SOLUTIONS**

HOUSTON
800/392-5066

ORLANDO
800/327-3022

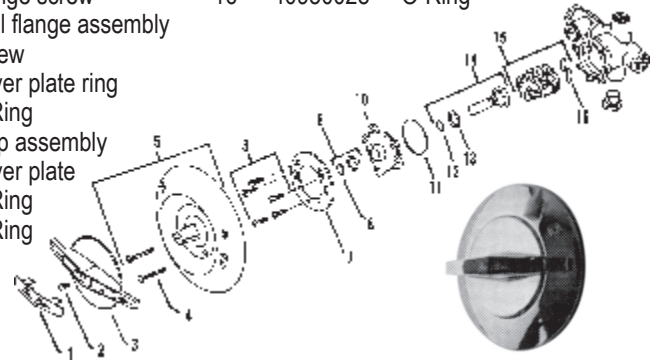
GREENVILLE
800/476-2212

LOOK FOR US ON THE WEB AT: www.TMSSouth.com

FAUCET REPAIR

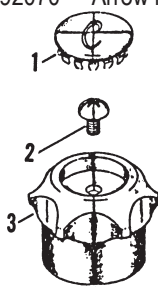
PRICE PFISTER BODYGUARD PRESSURE BALANCING VALVE

ITEM	PART #	DESCRIPTION	ITEM	PART #	DESCRIPTION
1	12890930	Plug button	13		Washer
2	12890192	Screw	14	12890910	Valve stem assembly
3	12894190	Handle	15	12890920	Balancing cartridge assy.
4	12893706	Flange screw	16	40950028	O-Ring
5	12893248	Wall flange assembly			
6		Screw			
7		Cover plate ring			
8	40950047	O-Ring			
9	12893526	Stop assembly			
10	12894196	Cover plate			
11	12892586	O-Ring			
12	12892582	O-Ring			



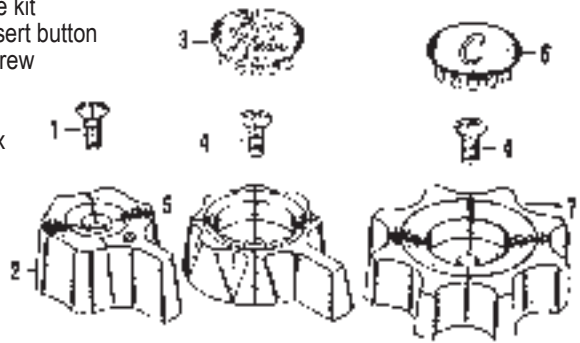
PRICE PFISTER ALL BRASS HANDLE TRIM

ITEM	PART #	DESCRIPTION
1	12890310	Cold index
	12890320	Hot index
2	12893662	Handle screw
3	12892066	Cold handle kit
	12892068	Hot handle kit
	12892070	Arrow handle kit



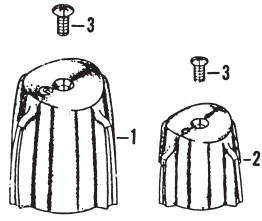
PRICE PFISTER CROWN IMPERIAL HANDLE TRIM

ITEM	PART #	DESCRIPTION	ITEM	PART #	DESCRIPTION
1	12890192	Handle screw	7	12892086	Handle
2	12890184	Cold handle	6-7	12892088	Cold handle w/ screw
	12890186	Hot handle		12892090	Hot handle w/ screw
1-2	12892076	Cold handle kit			
	12892080	Hot handle kit			
3	12892484	Handle insert button			
4	12893662	Handle screw			
5	12892082	Handle			
3-5	12892084	Handle kit			
6	12890310	Cold index			
	12890320	Hot index			



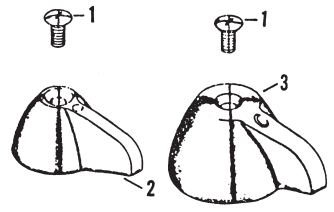
PRICE PFISTER CONTEMPERA HANDLE TRIM

ITEM	PART #	DESCRIPTION
1	40150081	Cold handle kit
	40150099	Hot handle kit
	40150128	Arrow handle kit
2	12890170	Cold handle kit
	12890180	Hot handle kit
	12892062	Arrow handle kit
3	12890192	Handle screw



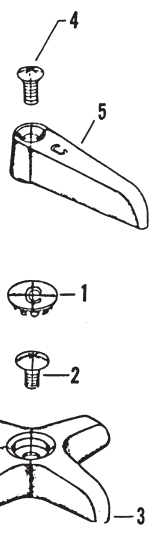
PRICE PFISTER CROWN JEWEL HANDLE TRIM

ITEM	PART #	DESCRIPTION
1	12890192	Handle screw
2	12890191	Cold handle
	12892094	Hot handle
1-2	12890190	Cold handle kit
	12890200	Hot handle kit
3	12892186	Cold handle
	12892190	Hot handle
	12892188	Cold handle w/ screw
	12892194	Hot handle w/ screw



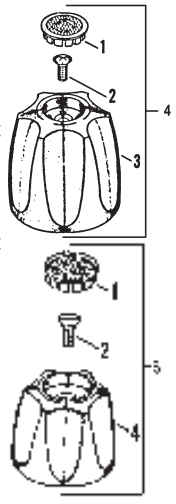
PRICE PFISTER BEAUX HANDLE TRIM

ITEM	PART #	DESCRIPTION
1	40150139	Cold index
	40150144	Hot index
	40150064	Plain index
2	12893568	Handle screw
3	12890210	Handle
1-3	12890220	Cold handle kit
	12890230	Hot handle kit
	12890240	Plain handle kit
4	12890192	Handle screw
5	12892204	Cold handle
	12892208	Hot handle
	12890270	Plain handle
4-5	12890250	Cold handle kit
	12890260	Hot handle kit
	12892268	Plain handle kit



PRICE PFISTER VERVE HANDLE TRIM

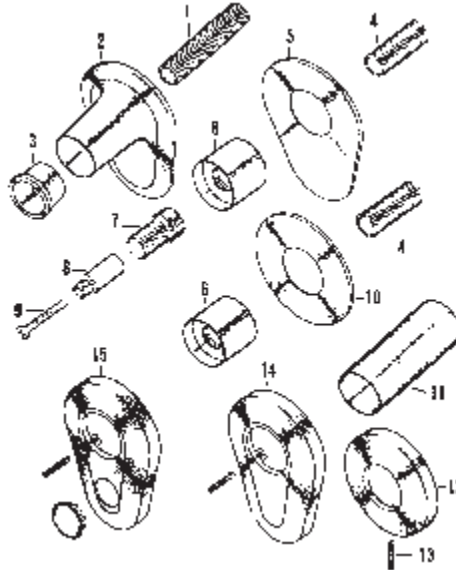
ITEM	PART #	DESCRIPTION
1	12890430	Cold index
	12890460	Hot index
	12890490	Arrow index
2	12890192	Handle screw
3	12890280	Handle
4	40150149	Cold handle kit
	40150150	Hot handle kit
	40150140	Arrow handle kit
5	12890290	Handle
6	12000450	Cold handle kit
	12000480	Hot handle
	12892854	Arrow handle



FAUCET REPAIR

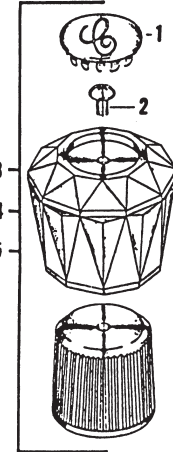
PRICE PFISTER CROWN JEWEL, CONTEMPERA, CONTESSA, MARQUIS, ALL BRASS & VERVE FLANGES

ITEM	PART #	DESCRIPTION
1	40150098	Escutcheon nipple
2	12893084	Escutcheon flange
3	12894042	Integral stop flange
1-3	12893088	Escutcheon flange kit
4	12890780	Nipple
5	12893176	Flange
6	12893444	Adapter flange
4-6	12893180	Escutcheon flange kit
7	12894022	Nipple extension
8	12891378	Valve stem extension
9	12893692	Flange screw
7-9	12891380	1" stem extension kit
10	12893182	Escutcheon plate
4, 6, 10	12893184	Flange kit
11	12893540	Tube sleeve
12	40150177	Escutcheon flange
13	12893666	Set screw



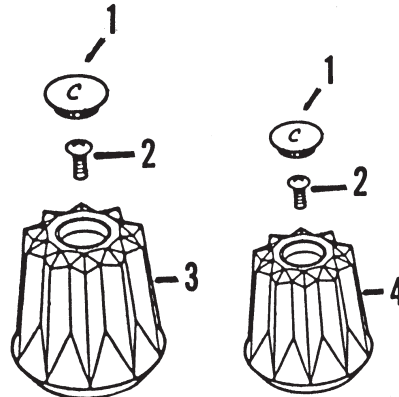
PRICE PFISTER CONTESSA HANDLE TRIM

ITEM	PART #	DESCRIPTION
1	12890390	Cold index
	12890400	Hot index
2	12893664	Handle screw
3	12892604	Cold handle kit
	12892606	Hot handle kit
	12892608	Arrow handle kit



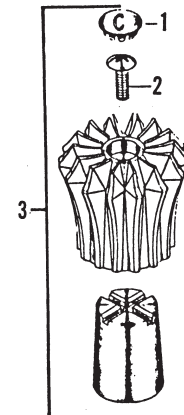
PRICE PFISTER WINDSOR HANDLE TRIM

ITEM	PART #	DESCRIPTION
1	12890386	Cold index
	12890384	Hot index
	12890382	Arrow index
2	12890750	Handle screw
3	12890381	Clear acrylic handle
4	12890300	Clear acrylic handle



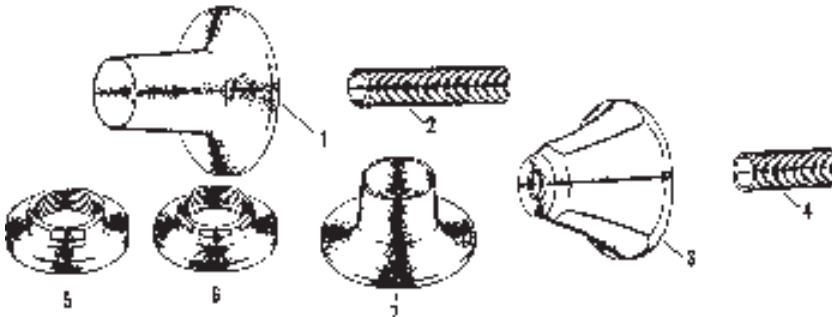
PRICE PFISTER MARQUIS HANDLE TRIM

ITEM	PART #	DESCRIPTION
1	40150139	Cold index
	40150144	Hot index
2	12893664	Handle screw
3	12890340	Cold handle kit
	12890360	Hot handle kit
	12890380	Arrow handle kit



PRICE PFISTER BEAUX ART, CROWN JEWEL, CONTEMPERA, CONTESSA, MARQUIS, ALL BRASS & VERVE FLANGES

ITEM	PART #	DESCRIPTION	ITEM	PART #	DESCRIPTION
1	40150100	Flange	4	12890780	Escutcheon nipple
2	40150098	Escutcheon nipple	5	12891838	Locknut flange
1-2	12893172	Flange kit	6	12891840	Locknut flange
5	12890720	Escutcheon flange	7	12893194	Escutcheon flange



**TOTAL
MAINTENANCE
SOLUTIONS**

HOUSTON
800/392-5066

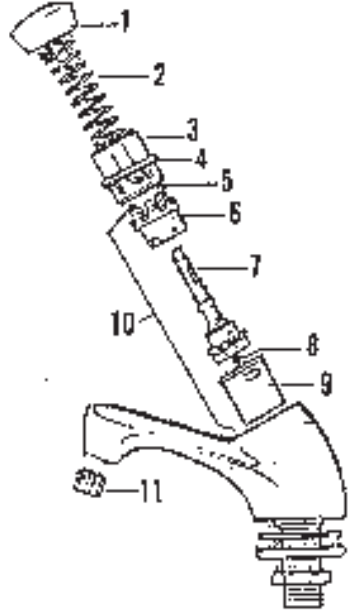
ORLANDO
800/327-3022

GREENVILLE
800/476-2212

LOOK FOR US ON THE WEB AT: www.TMSSouth.com

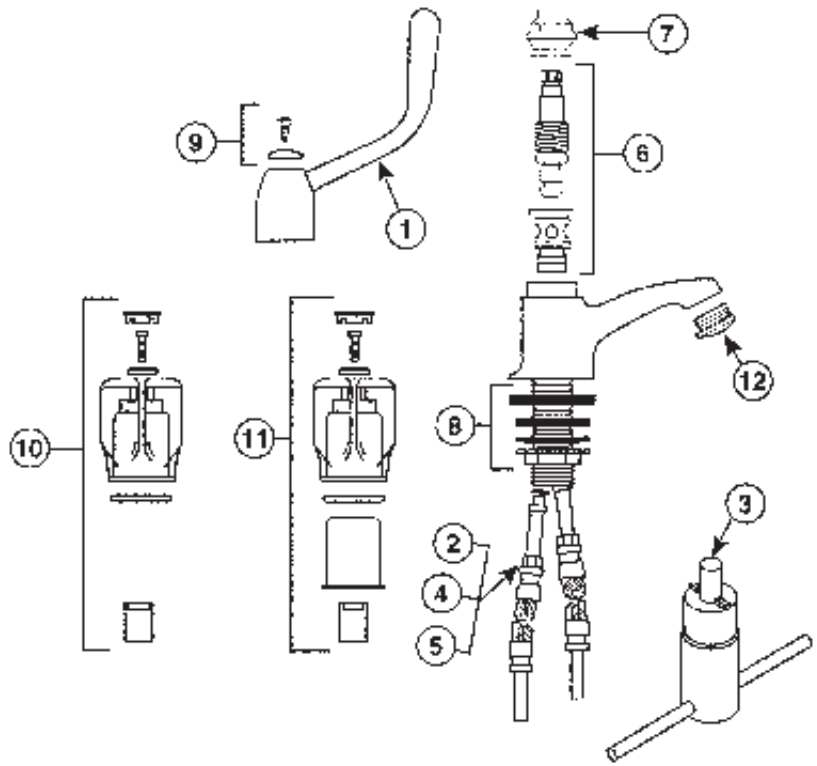
RADA 605 METERING FAUCET

ITEM	PART #	DESCRIPTION
1	32710100	Flow button
2	32710110	Spring
3	32710120	Head assembly w/ screws
4	40140160	Seal – head
5	40140161	Seal – spindle
6		Housing
7		Piston/spindle assembly – cold
		Piston/spindle assembly – hot
8	32710150	Bleed spring
9	32710160	Flow adjuster
10	32710170	Service cartridge – blue
	40140162	Service cartridge – red
11	32710190	Flow straightener



RADA UNATAP 24

ITEM	PART #	DESCRIPTION
1		Control handle U24
2		Flexible tail (Quallflex)
3	40150338	Assembly key Unataps
4		Flexible connector type J 10mm
5		Flexible connector type 0.M
6	40150339	Spindle & insert assembly 24R
7		Head assembly
8		Fixings kit
9		Cont. handle comp U24/24R
10		Knob assembly U24A/24R
11		Knob assembly U24ASR
		C spanner Unatap (not shown)
		Service pack (not shown)



Did You Know?

The average total home water use for each person in the U.S. is about 50 gallons per day.



TOTAL MAINTENANCE SOLUTIONS

HOUSTON
800/392-5066

ORLANDO
800/327-3022

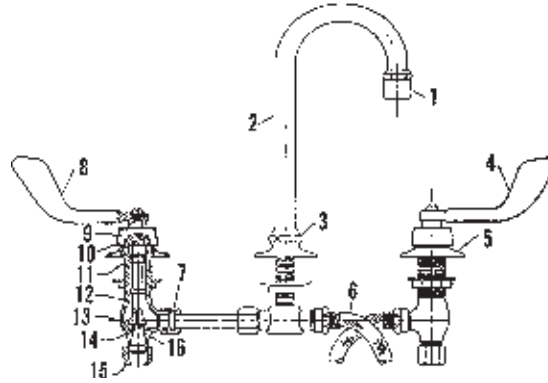
GREENVILLE
800/476-2212

LOOK FOR US ON THE WEB AT: www.TMSSouth.com

FAUCET REPAIR

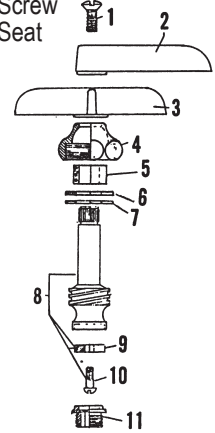
ROYAL BRASS 401 & 411 LAVATORY FAUCET

ITEM	PART #	DESCRIPTION	ITEM	PART #	DESCRIPTION
1	40110144	Aerator	13	40110119	Washer
2	27580070	Gooseneck spout	14	50100011	Screw
3	27580072	Flange	15	27580738	Coupling nut
4	27580606	Wrist handle assembly – cold	16	27580702	Seat
5	27580200	Flange			
6	27580734	Flexible connector			
7	27580742	Compression sleeve			
8	27580608	Wrist handle assembly – hot			
9		Bonnet			
10	27580714	Gasket			
11	40950022	O-Ring			
12	43581021	Stem & bonnet assembly – cold			
	43581022	Stem & bonnet assembly – hot			



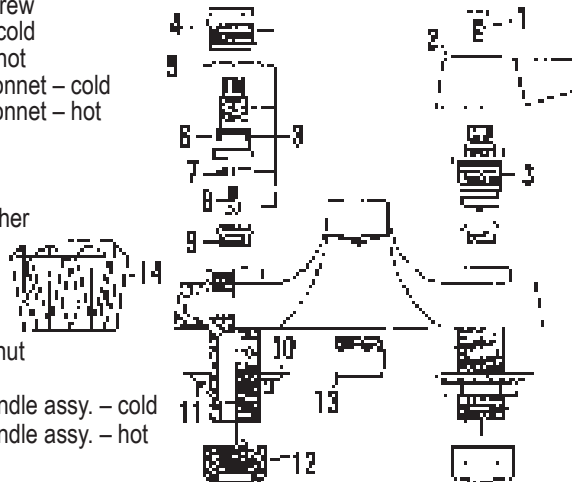
ROYAL BRASS CHROME SINGLE LAVATORY FAUCET

ITEM	PART #	DESCRIPTION
1	50100030	Handle screw
2	27580532	Lever handle – cold
	27580534	Lever handle – hot
3	27580180	Cross handle – cold
	27580200	Cross handle – hot
4	27580732	Cap nut
5	27580100	Packing
6	27580718	Washer
7	27580710	Gasket
8	43581012	Stem assy. – RH
9	40110119	Washer
10	50100011	Screw
11	40150076	Seat



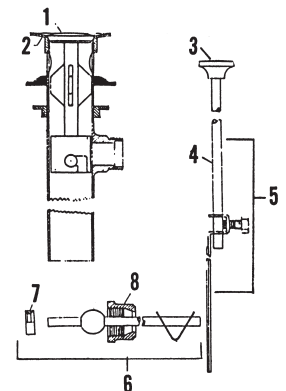
ROYAL BRASS CENTERSET LAVATORY FAUCET

ITEM	PART #	DESCRIPTION
1	50100027	Handle screw
2	27580490	Handle – cold
	27580492	Handle – hot
3	43581001	Stem & bonnet – cold
	43581002	Stem & bonnet – hot
4		Bonnet
5	41720140	Gasket
6	40950022	O-Ring
7	40110119	Stem washer
8	50100011	Screw
9	40150076	Seat
10	40800529	Washer
11	40800598	Locknut
12	40800454	Coupling nut
13	40110131	Aerator
14	27580456	Acrylic handle assy. – cold
	27580458	Acrylic handle assy. – hot



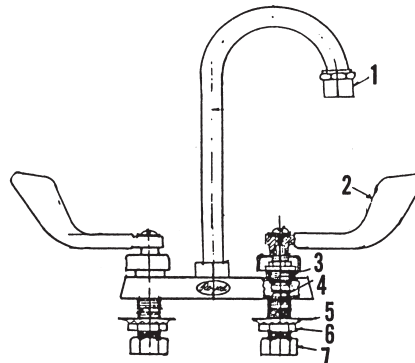
ROYAL BRASS POP-UP WASTE

ITEM	PART #	DESCRIPTION
1	27580370	Stopper
2	40950037	Stopper o-ring
3	27580904	Knob
4	27580910	Lift rod & knob
5	27581000	Lift rod, screw & extension strap
6	27581004	Rod & ball assy.
7	27581002	Ball washer
8	27581003	Ball nut



ROYAL BRASS 420 LAVATORY FAUCET

ITEM	PART #	DESCRIPTION
1	40110144	Aerator
2	27580750	Wrist handle – cold
	27580752	Wrist handle – hot
3	43581001	Stem & bonnet – cold
	43581002	Stem & bonnet – hot
4	27580702	Seat
5	40800529	Lockwasher
6	40800598	Locknut
7	40800454	Coupling nut



**TOTAL
MAINTENANCE
SOLUTIONS**

HOUSTON
800/392-5066

ORLANDO
800/327-3022

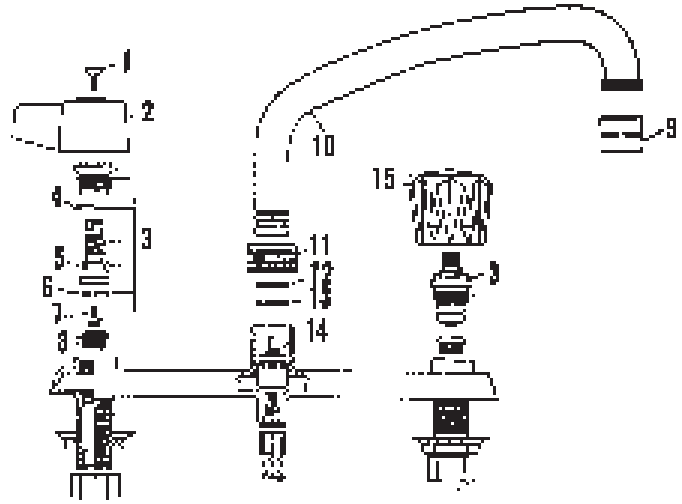
GREENVILLE
800/476-2212

LOOK FOR US ON THE WEB AT: www.TMSSouth.com

FAUCET REPAIR

ROYAL BRASS 2 HANDLE KITCHEN FAUCET

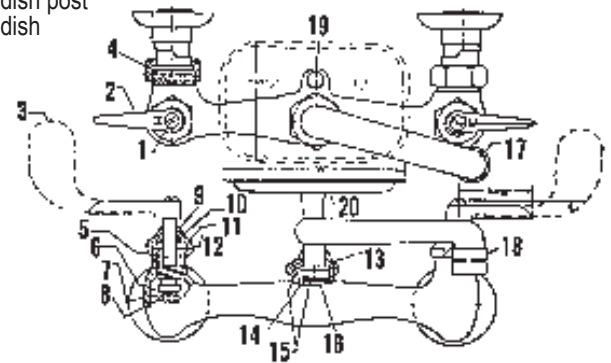
ITEM	PART #	DESCRIPTION
1	50100030	Handle screw
2	27580602	Handle & screw – hot
	27580600	Handle & screw – cold
3	43581001	Stem & bonnet LH
	43581002	Stem & bonnet RH
4	41720140	Washer
5	40950022	O-Ring
6	40110119	Stem washer
7	50100011	Screw
8	40150076	Seat
9	40110144	Aerator
10	27580744	Spout assembly
11	27580736	Spout nut
12	27580808	Snap ring
13	27580728	O-Ring
14	27580604	Diverter
15	27580460	Handle assy. – cold
	27580480	Handle assy. – hot



ROYAL BRASS 500 SERIES SINK FAUCET

ITEM	PART #	DESCRIPTION
1	50100027	Handle screw
2	27580532	Lever handle assy. – cold
	27580534	Lever handle assy. – hot
3	27580402	Wrist handle assy. – cold
	27580404	Wrist handle assy. – hot
4	27580715	Rubber washer
5	43581012	Stem assy. RH
	43581011	Stem assy. LH
6	40110119	Washer
7	50100011	Screw
8	40150076	Seat
9	27580160	Cap nut
10	27580100	Packing
11	27580120	Washer
12	27580140	Washer
13	27580746	Spout nut
14	27580726	Packing
15	27580720	Washer

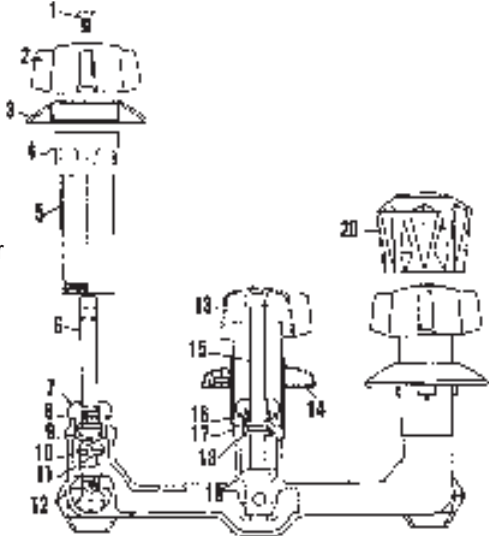
ITEM	PART #	DESCRIPTION
16	27580809	Spout ring
17	27580748	Spout
18	40110144	Aerator
19	27581006	Soap dish post
20	27581008	Soap dish



ROYAL BRASS IMPERIAL BATH & SHOWER VALVE

ITEM	PART #	DESCRIPTION
1	50100027	Handle screw
2	40150157	Handle – cold
	27580520	Handle – hot
3	27580800	Escutcheon
4	27580802	Escutcheon insert
5	27580360	Tube
6	40171038	Stem & bonnet
7		Bonnet
8	41720140	Gasket
9	40950022	O-Ring
10	40110119	Stem washer
11	50100011	Screw
12	42000650	Seat
13	27580530	Diverter handle
14	27580806	Diverter flange
15	43585001	Diverter stem & bonnet

ITEM	PART #	DESCRIPTION
16	41720140	Gasket
17	27580810	Spring
18	40950022	O-Ring
19	27580812	Stop pin
20	27580442	Handle assy. – cold
	27580444	Handle assy. – hot
	27580446	Handle assy. – diverter



**TOTAL
MAINTENANCE
SOLUTIONS**

HOUSTON
800/392-5066

ORLANDO
800/327-3022

GREENVILLE
800/476-2212

LOOK FOR US ON THE WEB AT: www.TMSSouth.com

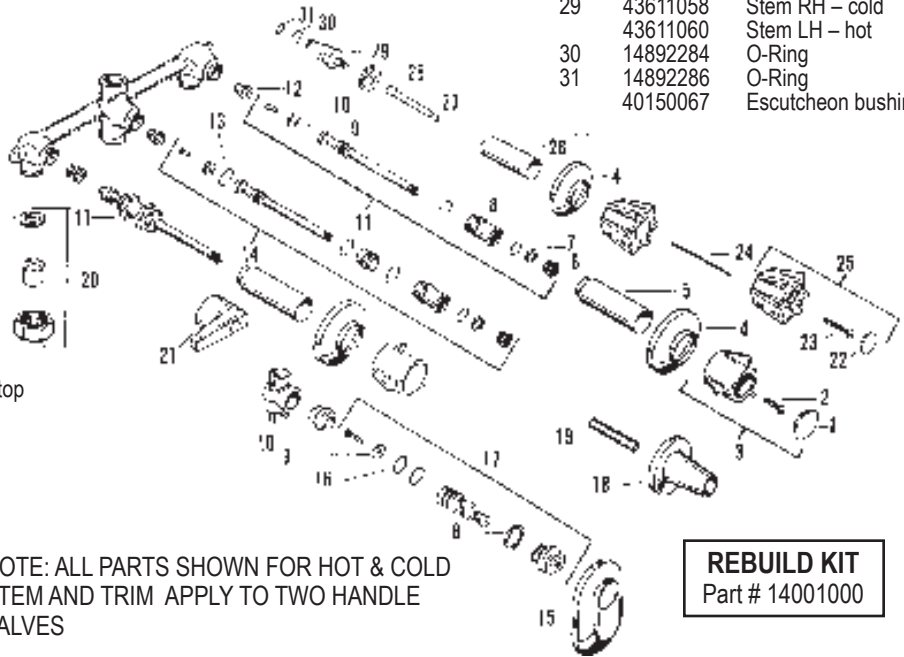
FAUCET REPAIR

SAYCO TUB & SHOWER VALVE

ITEM	PART #	DESCRIPTION
1	14890190	Cold index
	14890180	Hot index
	14890250	Arrow index
2	50100011	Handle screw
3	40150152	Cold handle kit
	40150153	Hot handle kit
	40150151	Arrow handle kit
4	40150137	Flange
5	40150145	Sleeve
6	41721310	Packing
7	14890810	Metal washer
8	40950049	Bonnet o-ring
9	40110118	Seat washer
10	50100009	Screw
11	43611021	Stem & bonnet – LH
	40150100	Stem & bonnet – RH
12	40150075	Seat
13	40950041	Diverter o-ring
14	40150109	Diverter stem & bonnet
15	14892288	Flange
16	40950022	Stem o-ring
17	43611024	Stem & bonnet – integral stop
18	14891604	Flange
19	14891606	Nipple
18-19	14893084	Flange kit
20	14892786	Coupling kit
21	14890460	Cold lever handle
	14890470	Hot lever handle
	14890472	Arrow lever handle
22	14891622	Cold index
	14891624	Hot index

ITEM	PART #	DESCRIPTION
	14891626	Arrow index
23	14891608	Handle screw – diverter
24	14891638	Handle screw – H&C stem
25	14893182	Cold acrylic handle kit

ITEM	PART #	DESCRIPTION
	14893186	Hot acrylic handle kit
	14893184	Arrow handle kit
26	14891656	Sleeve & guide
27	14891632	Stem extension
28	14892282	Hex cap nut
29	43611058	Stem RH – cold
	43611060	Stem LH – hot
30	14892284	O-Ring
31	14892286	O-Ring
	40150067	Escutcheon bushing

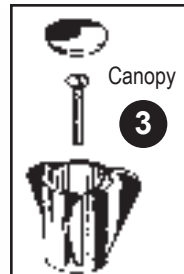
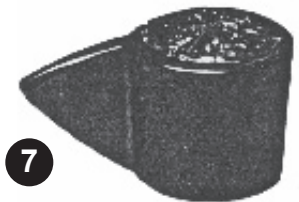
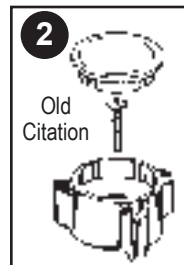
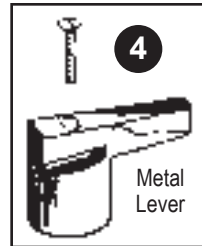
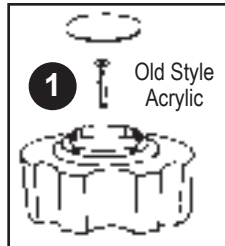


NOTE: ALL PARTS SHOWN FOR HOT & COLD STEM AND TRIM APPLY TO TWO HANDLE VALVES

REBUILD KIT
Part # 14001000

SAYCO HANDLES

ITEM	PART #	DESCRIPTION
1	14890300	Hot acrylic for kitchen & lavatory
	14890290	Cold acrylic for kitchen & lavatory
	14890420	Hot acrylic for tub & shower
	14890430	Cold acrylic for tub & shower
2	14890330	Hot "Old Citation" for kitchen & lavatory
	14890320	Cold "Old Citation" for kitchen & lavatory
	40150106	Hot "Old Citation" for tub & shower
	40150091	Cold "Old Citation" for tub & shower
	14890350	Diverter "Old Citation" for tub & shower
3	14890410	Hot small canopy for compression valves
	14890400	Cold small canopy for compression valves
	40150153	Hot large canopy for compression valves
	40150152	Cold large canopy for compression valves
	40150151	Diverter large canopy for compression valves
4	14890390	Hot small metal lever handle
	14890380	Cold small metal lever handle
	14890470	Hot large metal lever handle
	14890460	Cold large metal lever handle
5	14890480	Large cold handle
	14890490	Large hot handle
	14890475	Small cold handle
	14890476	Small hot handle
6	14890150	Hot "Old Style" lever handle
	14890140	Cold "Old Style" lever handle
7	14890760	Hot small blade handle
	14890770	Cold small blade handle
8	14890700	Hot metal handle for kitchen & lavatory
	14890710	Cold metal handle for kitchen & lavatory
	14890720	Hot metal handle for tub & shower
	14890730	Cold metal handle for tub & shower



**TOTAL
MAINTENANCE
SOLUTIONS**

HOUSTON
800/392-5066

ORLANDO
800/327-3022

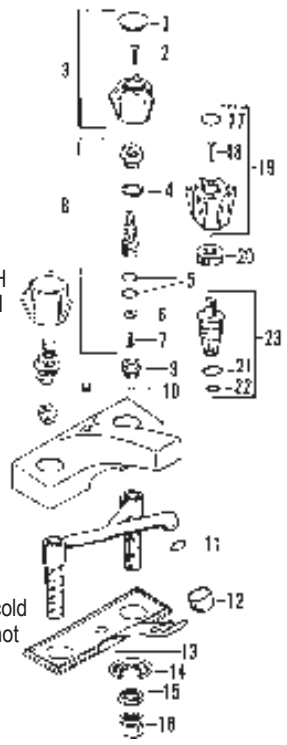
GREENVILLE
800/476-2212

LOOK FOR US ON THE WEB AT: www.TMSSouth.com

FAUCET REPAIR

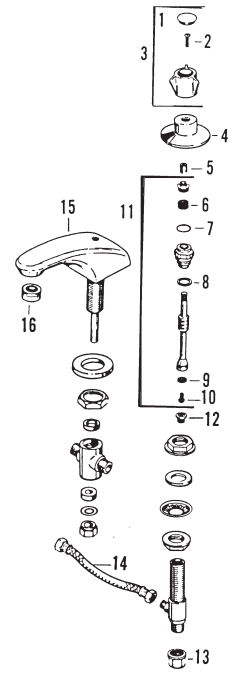
SAYCO LAVATORY FAUCET

ITEM	PART #	DESCRIPTION
1	14890190	Cold index
	14890180	Hot index
2	50100011	Handle screw
3	14890400	Cold handle kit
	14890410	Hot handle kit
4	40950049	Bonnet o-ring
5	40950022	Stem o-ring
6	40110118	Seat washer
7	50100009	Screw
8	40150107	Stem assembly – RH
	40150132	Stem assembly – LH
9	40150075	Seat
10	14891442	Plug button
11	40950022	O-Ring
12	40110144	Aerator
13		Cover
14	40800529	Washer
15	40800598	Locknut
16	40800454	Coupling nut
17	14891622	Cold index
	14891624	Hot index
18	50100011	Handle screw
19	14893170	Acrylic handle kit – cold
	14893168	Acrylic handle kit – hot
20	14892144	Cap
21	14892284	O-Ring
22	14892286	O-Ring
23	43611058	Stem – RH
	43611060	Stem – LH



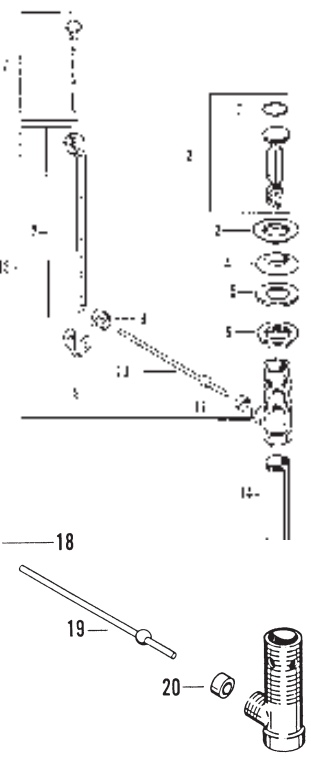
SAYCO WIDESPREAD LAVATORY FAUCET

ITEM	PART #	DESCRIPTION
1	14891622	Cold index
	14891624	Hot index
2	50100011	Handle screw
3	14893162	Cold handle kit
	14893166	Hot handle kit
4	14890540	Flange – chrome
5		Nipple
6	14890570	Packing
7	14890810	Metal washer
8	40950106	Bonnet o-ring
9	40110118	Seat washer
10	50100011	Screw
11	43611032	Stem & bonnet – RH
12	40150075	Seat
13	40800454	Coupling nut
14	14891020	Flex hose – 10"
15	14892786	Spout – chrome
16	40110130	Aerator



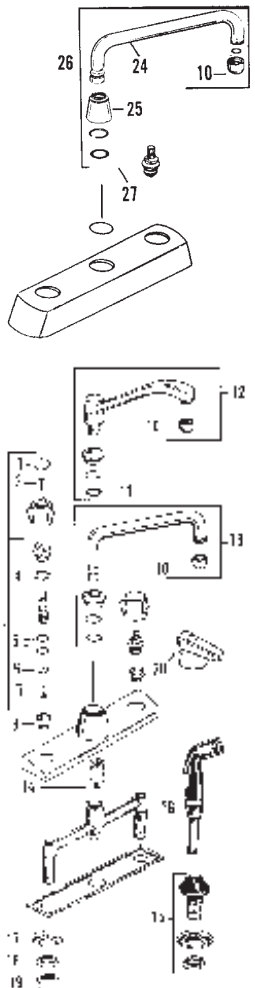
SAYCO POP-UP DRAIN

ITEM	PART #	DESCRIPTION
1	40950037	O-Ring
2	14890230	Stopper kit
3	14891486	Collar
4		Washer
5		Washer
6		Locknut
7	14892388	Lift rod
8	14890270	Spring clevis
9	14891504	Hex bushing
10	14890240	Ball rod
11	14890280	Packing
12	14890160	Strap & screw assembly
13	14892364	Ball rod assembly
14	40801066	Tailpiece
15	14892384	Lift rod
16	14891484	O-Ring
17	14890230	Stopper
18	14891504	Hex bushing
19	14890240	Ball rod
20	14890280	Packing



SAYCO KITCHEN FAUCET

ITEM	PART #	DESCRIPTION
1	14890190	Cold index
	14890180	Hot index
2	50100011	Handle screw
3	14890400	Cold handle kit
	14890410	Hot handle kit
4	40950049	Bonnet o-ring
5	40950022	Stem o-ring
6	40110118	Seat washer
7	50100009	Screw
8	40150107	Stem assembly – RH
	40150132	Stem assembly – LH
9	40150075	Seat
10	40110130	Aerator
11	40950025	Spout o-ring
12	14892760	Spout kit
13	14890524	Spout kit
14	45732012	Diverter
15	45731002	Hose guide assy.
16	40110165	Hose & spray head assembly
17	40800529	Washer
18	40800598	Locknut
19	40800454	Coupling nut
20	14890380	Blade handle – cold
	14890390	Blade handle – hot
21	14891386	Spout cap – chrome
22	14890362	Spout – chrome
23	40110144	Aerator
24	14891388	Spout – chrome
25	14891424	Spout sleeve
26	14893608	Spout assembly
27	14891420	Spout o-ring



TOTAL MAINTENANCE SOLUTIONS

HOUSTON
800/392-5066

ORLANDO
800/327-3022

GREENVILLE
800/476-2212

LOOK FOR US ON THE WEB AT: www.TMSSouth.com

FAUCET REPAIR

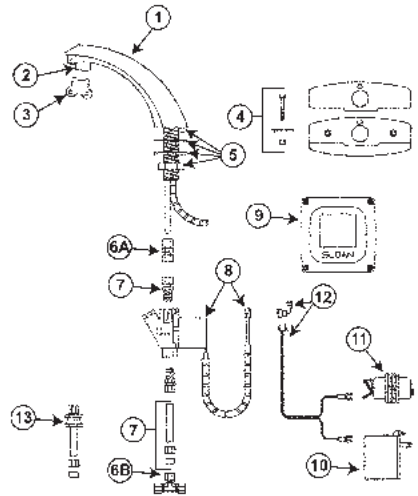
SENSOR OPERATED FAUCETS from SLOAN



SLOAN ETF-80 (MIXING VALVE OPTIONAL) AC OPERATED

ITEM	PART #	DESCRIPTION
1	32780200	Faucet /Sensor assembly
2	32780120	Aerator .5 gpm w/ key
	32780130	Aerator 2.2 gpm w/ key
	32780140	Aerator 2.2 gpm Laminar flow
3	32780210	Aerator key
4	32780220	Trim plate kit
5		Faucet mounting kit
6A	32780230	Straight compression fitting
6B	32780240	Tee compression fitting
7		Solenoid supply kit

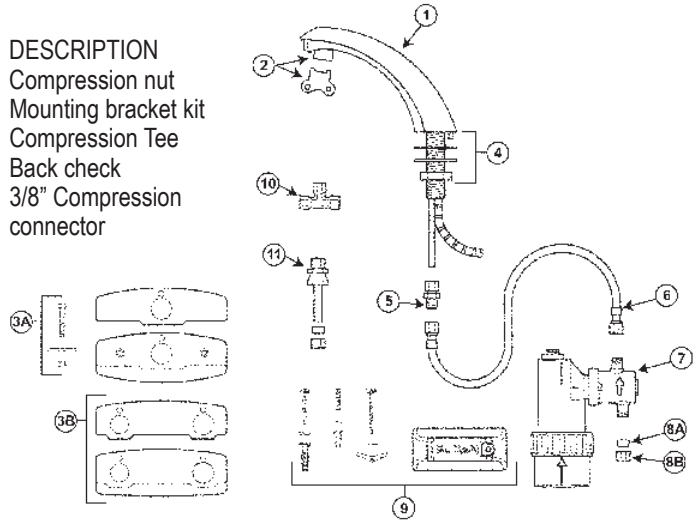
ITEM	PART #	DESCRIPTION
8	40155849	Solenoid valve w/ wire harness
9	40155000	Control module assembly
10	32780180	Plug in transformer
11	32780170	Back mount transformer
12	32780190	Power cable



SLOAN EBF-85 BATTERY OPERATED

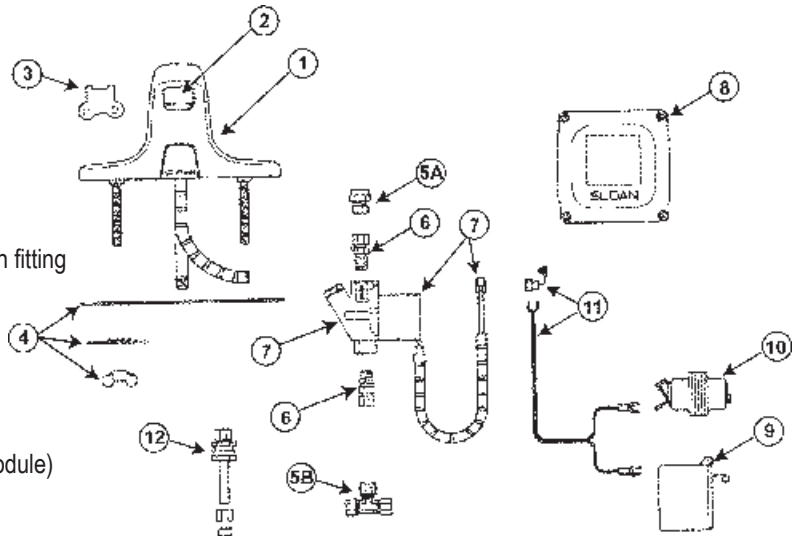
ITEM	PART #	DESCRIPTION
1	32780250	Faucet/Sensor assembly
	32780260	Sensor module only
2	32780120	Aerator .5 gpm w/ key
	32780130	Aerator 2.2 gpm w/ key
	32780140	Aerator 2.2 gpm Laminar flow
3A	32780220	Trim kit (faucet only)
3B	32780270	Trim kit (faucet w/ mixing valve)
4		Faucet mounting kit
5	32780230	1/4" to 3/8" Compression fitting
6	32780280	Flex hose
7	40155111	Valve module
8A		Ferrule

ITEM	PART #	DESCRIPTION
8B		Compression nut
9		Mounting bracket kit
10	32780240	Compression Tee
11		Back check
12	32780300	3/8" Compression connector



SLOAN ETF-600 (MIXED) AC OPERATED

ITEM	PART #	DESCRIPTION
1		Faucet/Sensor assembly
	32780110	Sensor module
2	32780120	Aerator .5 gpm w/ key
	32780130	Aerator 2.2 gpm w/ key
	32780140	Aerator 2.2 gpm Laminar flow
3		Replacement key
5A	40901193	1/8" NPT pipe to 3/8" tube compression fitting
5B		Tee compression fitting
6		Single solenoid supply kit
7	40155849	Solenoid valve w/ wire harness
8	40155000	Control module assembly
9	32780180	Plug in transformer
10	32780170	Box mount transformer
11	32780190	Power cable (transformer to control module)
12		Back check



TOTAL MAINTENANCE SOLUTIONS

HOUSTON
800/392-5066

ORLANDO
800/327-3022

GREENVILLE
800/476-2212

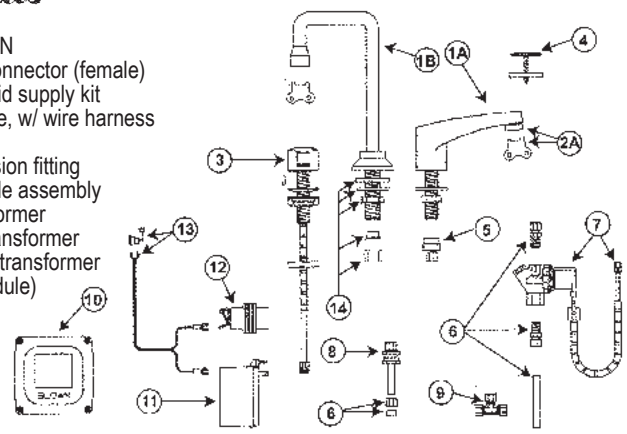
LOOK FOR US ON THE WEB AT: www.TMSSouth.com

SENSOR OPERATED FAUCETS from SLOAN



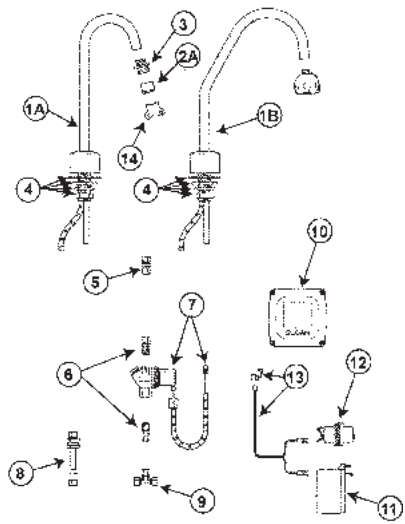
SLOAN ETF-660 & ETF-770 (MIXED) AC OPERATED

ITEM	PART #	DESCRIPTION	ITEM	PART #	DESCRIPTION
1A		Lavatory faucet assembly	5		Tube fitting connector (female)
1B		Deck-mounted gooseneck faucet assembly	6		Single solenoid supply kit
2A	32780320	Aerator .5 gpm w/ key (ETF-660)	7	40155849	Solenoid valve, w/ wire harness
	32780330	Aerator 2.0 gpm w/ key (ETF-660)	8		Back check
	32780340	Aerator 2.5 gpm Laminar flow (ETF-660)	9	32780240	Tee compression fitting
			10	40155000	Control module assembly
2B	32780120	Aerator .5 gpm w/ key (ETF-770)	11	32780180	Plug in transformer
	32750350	Aerator 2.0 gpm w/ key (ETF-770)	12	32780170	Box mount transformer
	32780130	Aerator 2.5 gpm Laminar flow (ETF-770)	13	327 80190	Power cable (transformer to control module)
3	32780360	"On-Q" Optima sensor assembly			
4		Cock hole cover			



SLOAN ETF-700-C, ETF-700-H DECK-MOUNT (MIXED) – AC OPERATED

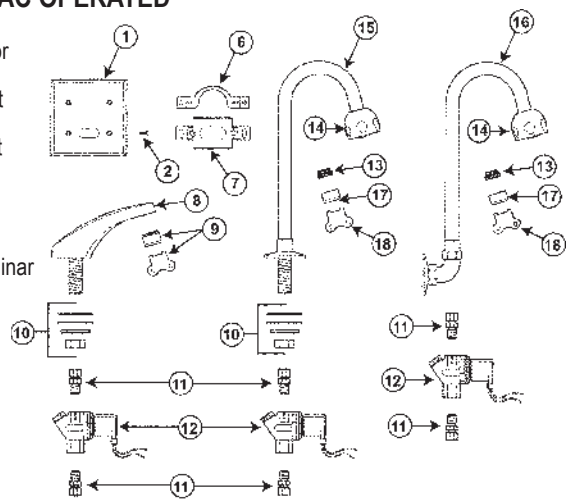
ITEM	PART #	DESCRIPTION
1A		Faucet/Sensor assembly
2A		Faucet/Sensor assembly (surgical bend)
		Sensor module with cable
2A		Aerator Laminar flow, 2.0 gpm
2B	32780310	Aerator wide spray
3		Adapter for spray heads
4		Spout mounting kit
5	32780230	3/8" straight compression fitting
6		Single solenoid supply kit
7	40155849	Solenoid valve, w/ wire harness
8		Back check
9	32780240	Tee compression fitting
10	40155000	Control module assembly
11	32780180	Plug in transformer
12	32780170	Box mount transformer
13	32780190	Power cable (transformer to control module)



SLOAN ELF-10, ESF-20, ESF-30 DECK MOUNTED & BACK MOUNTED – AC OPERATED

ITEM	PART #	DESCRIPTION	ITEM	PART #	DESCRIPTION
1		Cover plate for 2-gang junction box	14	32780430	Aerator wide spray for ESF-20/30
2		Cover plate screws	15		Deck-mounted faucet w/ gooseneck spout
3-5		Surface mount kit (not shown)	16		Back-mounted faucet
6		Yoke assembly	17	32780120	Aerator .5 gpm w/ key ESF-20/30
7	32780370	Optima sensor		32780130	Aerator 2.2 gpm ESF-20 / 30
	32780380	Optima sensor w/ 30 second time out		32780140	Aerator 2.2 gpm Laminar flow ESF-20 / 30
8		Lavatory spout		18	Replacement key
9	32780320	Aerator .5 gpm w/ key (ELF-10)	*	32780440	Solenoid valve repair kit
	32780340	Aerator 2.2 gpm w/ key (ELF-10)			
	32780390	Aerator 2.2 gpm Laminar flow (ELF-10)			
10		Mounting hardware kit			
11	32780400	3/8" Male compression fitting			
12	40155527	Solenoid valve			
13	32780420	Aerator adapter for ESF-20/30			

*Not Illustrated



HOUSTON
800/392-5066

ORLANDO
800/327-3022

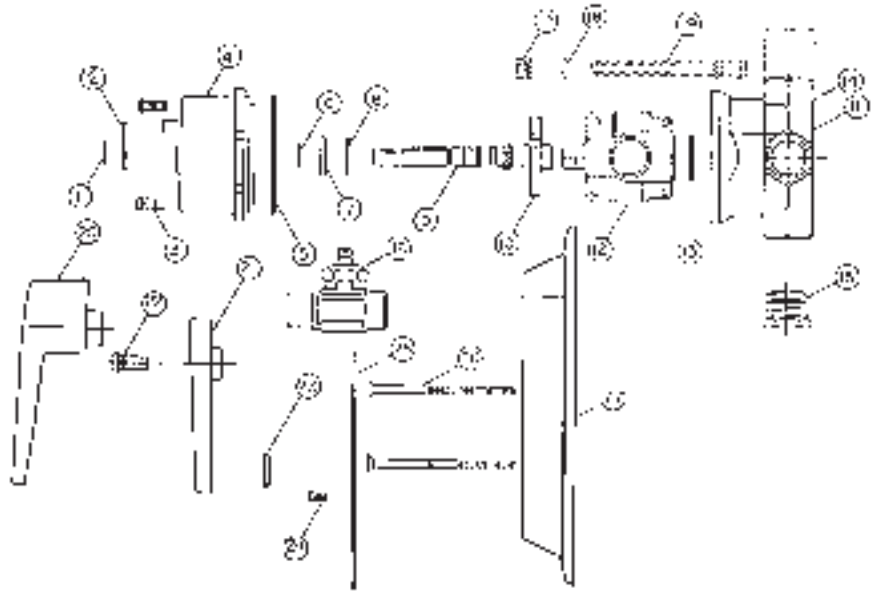
GREENVILLE
800/476-2212

LOOK FOR US ON THE WEB AT: www.TMSSouth.com

FAUCET REPAIR

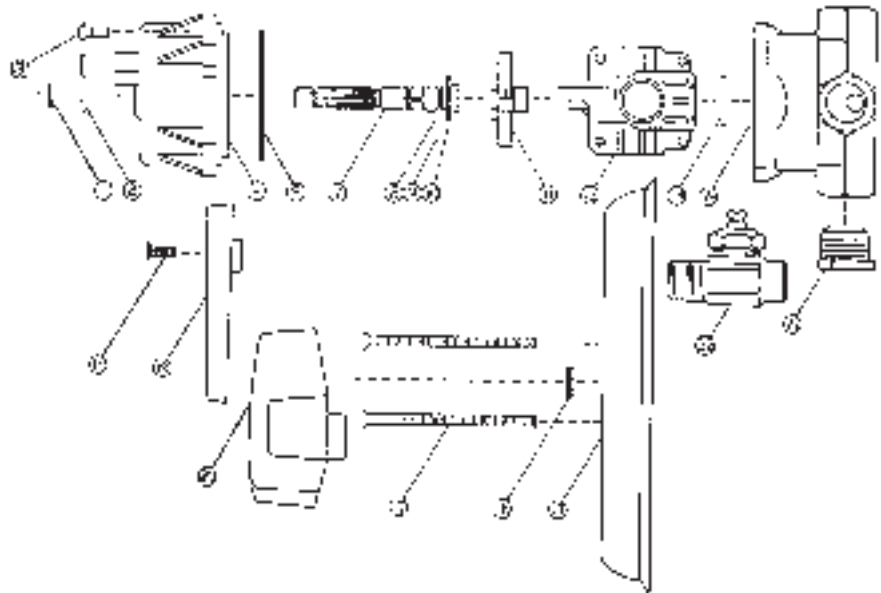
SPEAKMAN SENTINEL BALANCED PRESSURE VALVE

ITEM	PART #	DESCRIPTION
1	15891128	O-Ring
2	15893612	Temperature limit plate
3	15897422	Screw
4	15893640	Bonnet – plastic
	15893682	Bonnet – brass
5	15891151	O-Ring
6	40950020	O-Ring
7	15897206	Washer
8	15897204	Brass washer
9	40150136	Spindle
10	40150069	Regulator module
11		Body
12	40170020	Balancing module
13	15891152	Quad rings (2 each)
14		Valve body
15		Plug
16		Stop
17		Retaining nut
18	40950019	O-Ring
19	43661030	Spindle
20	15890195	Handle
21	40150087	Brass handle
22	15897678	Handle screw
23	15893608	Spindle bushing
24	15897718	Screw
25	15896306	Index plate
	15896308	Index plate w/ volume control
26	15897720	Escutcheon screw
27	15894286	Escutcheon



SPEAKMAN ROYALE ANTI-SCALD BALANCED PRESSURE VALVE

ITEM	PART #	DESCRIPTION
1	15891128	O-Ring
2	15893612	Temp. limit plate
3	15897718	Screw
4	15893640	Bonnet – plastic
	15893682	Bonnet – brass
5	15891151	O-Ring
7	40150136	Spindle – items 7-10
8	40950048	O-Ring
9	15897206	Friction washer
10	15897204	Brass washer
11	40150069	Regulating disc
12	40170020	Balancing module
13	15898004	Quad ring
14		Body
15		Plug
16	15893608	Bushing
17	15897676	Escutcheon screw
18	50100041	Screw
19	40150087	Brass lever handle
20	15891880	Adjustable arrow handle
21		Wall plate



**TOTAL
MAINTENANCE
SOLUTIONS**

HOUSTON
800/392-5066

ORLANDO
800/327-3022

GREENVILLE
800/476-2212

LOOK FOR US ON THE WEB AT: www.TMSSouth.com

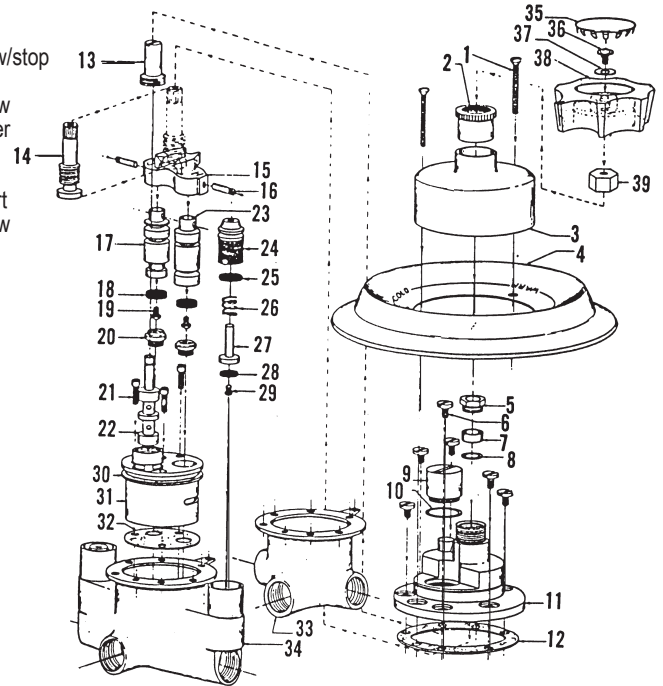
FAUCET REPAIR

SPEAKMAN BUILT-IN SENTINEL VALVE – MODEL 172

ITEM	PART #	DESCRIPTION	ITEM	PART #	DESCRIPTION
1	15897522	Wall plate screws	31	40150052	Block, seats & chamber assembly
2	15890686	Dial nut	32	15890940	Washer
3	15894220	Dial plate	33		Valve body
4	15894224	Wall plate	34		Valve body w/stop
5	15890482	Packing nut	35	15896266	Index
6	15897548	Hub screw	36	15897598	Handle screw
7	40150096	Packing	37	15896808	Brass washer
8	40150130	Washer	38	15890320	Acrylic handle assy.
9	15893940	Stem cap cover	39	15893408	Handle insert
10	15896804	Cap cover washer	40	15897446	Handle screw
11		Hub	41	15891902	Handle
12	15890940	Hub washer			
13	15893942	Stem cap			
14	43661030	Stem			
15	15890660	Yoke & plunger assy.			
16	15898024	Pin			
17	15892348	Cold plunger assy.			
18	15896844	Seat washer			
19	15891053	Screw			
20	15890400	Seat			
21	15897408	Valve block screw			
22	15893006	Piston			
23	15892350	Hot plunger assy.			
24	43661029	Stop spindle			
25	40950105	O-Ring			
26	15895798	Spring			
27-29		Disc – washer – screw			
28	40110118	Washer			
29	50100010	Screw			
30	15890940	Top block washer			



Metal Lever Handle
Furnished Only
When Specified.

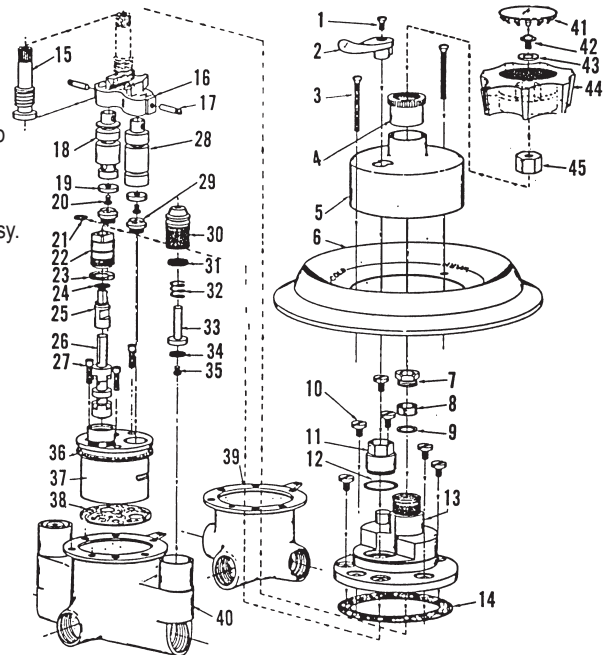


SPEAKMAN BUILT-IN SENTINEL VALVE – MODEL 182

ITEM	PART #	DESCRIPTION	ITEM	PART #	DESCRIPTION
1	15891068	Handle screw	32	15895798	Spring
2	15891904	Volume control handle	33		Disc – washer- screw
3	15897522	Wall plate screws	34	40110118	Washer
4	15890686	Dial nut	35	50100010	Screw
5	15894222	Dial plate	36	15890940	Top block washer
6	15894224	Wall plate	37	40150052	Block, seat & chamber assy.
7	15890482	Packing nut	38	15890940	Washer
8	40150096	Packing	39		Valve body
9	40150130	Washer	40		Valve body w/stop
10	15897548	Hub screw	41	15896266	Index
11	15890702	Hub seal post	42	15897598	Handle screw
12	15896804	Fibre washer	43	15896808	Brass washer
13		Hub	44	15890320	Acrylic handle assy.
14	15890940	Hub washer	45	15893408	Handle insert
15	43661030	Stem	46	15897446	Handle screw
16	15890660	Yoke & plunger assy.	47	15891902	Handle
17	15898024	Pin			
18	15892348	Cold plunger assy.			
19	15896844	Seat washer			
20	15891053	Screw			
21	15893248	Clip			
22	15893246	Extension strap			
23	40950035	O-Ring			
24	40950019	O-Ring			
25	15893244	Piston extension			
26	15893242	Piston			
27	15897408	Valve block screws			
28	15892350	Hot plunger assy.			
29	15890400	Seats			
30	43661029	Stop spindle			
31	40950105	O-Ring			



Metal Lever Handle
Furnished Only
When Specified



**TOTAL
MAINTENANCE
SOLUTIONS**

HOUSTON
800/392-5066

ORLANDO
800/327-3022

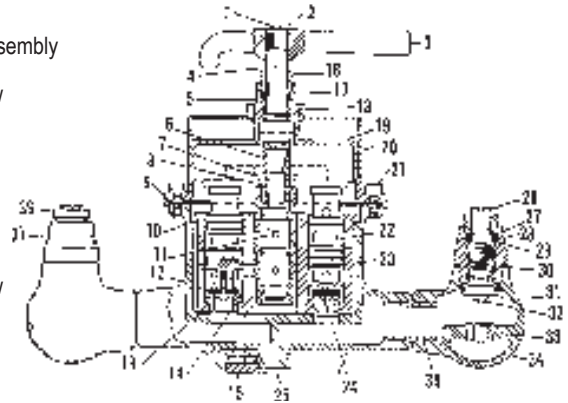
GREENVILLE
800/476-2212

LOOK FOR US ON THE WEB AT: www.TMSSouth.com

FAUCET REPAIR

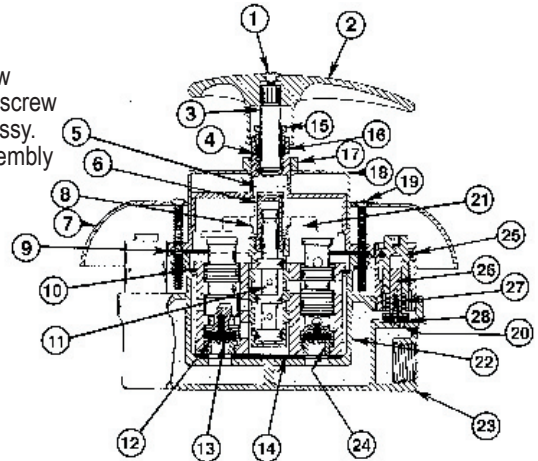
SPEAKMAN SENTINEL EXPOSED SHOWER VALVE – MODEL 60

ITEM	PART #	DESCRIPTION	ITEM	PART #	DESCRIPTION
1	15897520	Handle screw	19		Hub
2	15896808	Brass washer	20		Dial
3	15891814	Handle	21	15897422	Hub screw
4	43661012	Spindle	22	15890660	Yoke & plunger assembly
5	40150130	Brass washer	23	15890530	Valve block assy.
6	15893940	Cap	24	15891053	Seat washer screw
7	15896804	Cap washer	25		Wall flange
8	15893942	Cap	26		Spindle
9	15890940	Hub washer	27	40150096	Packing
10		Top block washer – use item 9	28	NLA	Stop assembly
11	15893006	Piston	29	40150130	Brass washer
12	15896844	Seat washer	30	41720310	Fibre washer
13		Bottom block washer – use item 9	31	40110162	Seat washer
14	15890400	Seat	32	50100010	Seat washer screw
15	NLA	Wall flange screw	33	15892412	Monel seat
16	15890482	Packing nut	34		Body – LH
17	40150096	Packing	35		Close nipple
18	15890686	Dial nut	36	15890482	Packing nut
			37		Hub
			38		Body – RH



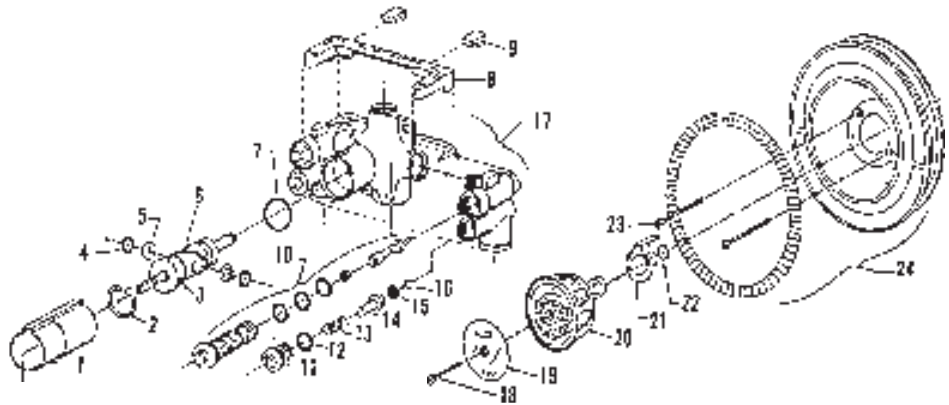
SPEAKMAN CONCEALED SENTINEL VALVE – MODEL 60

ITEM	PART #	DESCRIPTION	ITEM	PART #	DESCRIPTION
1	15897446	Handle screw	17	15890686	Dial plate
2	15891902	Handle	18	NLA	Dial
3	43661012	Stem	19	15897406	Escutcheon screw
4	40150130	Brass washer	20		I.S. Seat washer screw
5	15893940	No. 1 cap	21	15890660	Yoke & plunger assy.
6	15893942	No. 2 cap	22	15890530	Repair block assembly
7		Escutcheon	23		Body
8	15896804	Fibre washer	24	15890400	Seat
9	15890940	Hub washer	25		"O" ring
10		Top block washer – see item 9	26		Disc
11	15893006	Piston	27	15895798	Spring
12	15896844	Seat washer	28		I.S. Seat washer
13	15891053	Seat washer screw			
14		Bottom block washer – see item 9			
15	15890482	Packing nut			
16	40150096	Packing			



SPEAKMAN DUAL-SAFE COLORTEMP PRESSURE BALANCED VALVE

ITEM	PART #	DESCRIPTION	ITEM	PART #	DESCRIPTION	ITEM	PART #	DESCRIPTION
1	15890902	Collar	21	15890830	Color disc assy.	23	15897522	Wall plate screws
2	15895822	Retainer clip	22	15890440	Color disc clip	24	15894120	Wall plate & gasket assy.
3	40950037	O-Ring						
4	40950048	O-Ring						
5	15897042	Seal						
6	40150093	Complete cartridge						
7	15897062	Washer						
8	NLA	Cover						
9	NLA	Clip						
10	15892528	Piston & sleeve assy.						
11	15891542	Stop spindle						
12	40950105	O-Ring						
13	15895798	Spring						
14	15896020	Disc						
15	15896844	Seat washer						
16	50100010	Seat washer screw						
17	NLA	Valve center assy.						
18	15891060	Handle screw						
19	15890780	Index						
20	15891942	Acrylic handle						



**TOTAL
MAINTENANCE
SOLUTIONS**

HOUSTON
800/392-5066

ORLANDO
800/327-3022

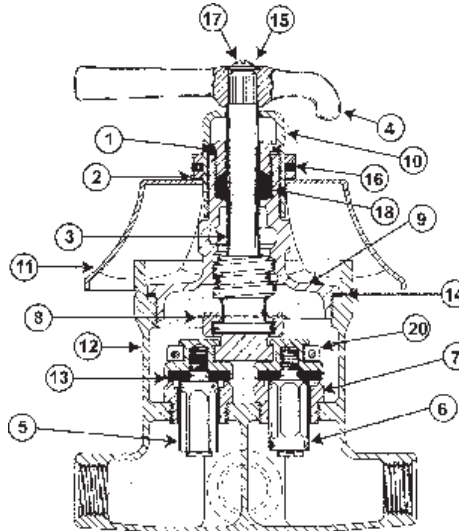
GREENVILLE
800/476-2212

LOOK FOR US ON THE WEB AT: www.TMSSouth.com

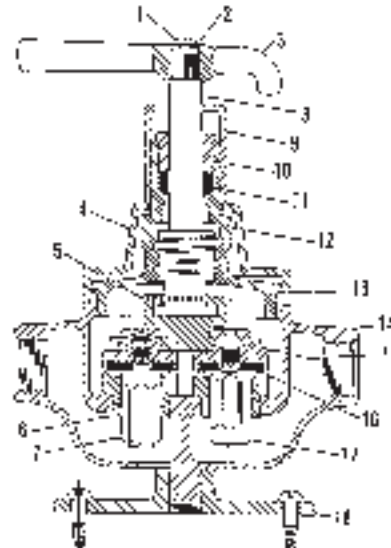
SPEAKMAN DIAMOND CONCEALED MIXOMETER VALVE

ITEM	PART #	DESCRIPTION
1	15890346	Packing nut
2		Collar – see item 19
3	43661067	Spindle/stem
4	15891814	Handle
5	15892298	Hot plunger
6	15892300	Cold plunger
7	15892680	Seat
8	15892698	Monel pin
9		Hub
10	NLA	Dome cap
11	15894124	Escutcheon & dial plate assy
12		Body
13	15896524	Seat washer
14	15890870	Hub washer
15	15896808	Brass washer
16	15897396	Set screw
17	15897520	Handle screw
18	15891080	Packing
19	15890864	Collar, pin & set screw assy.
20	15894788	Yoke assembly

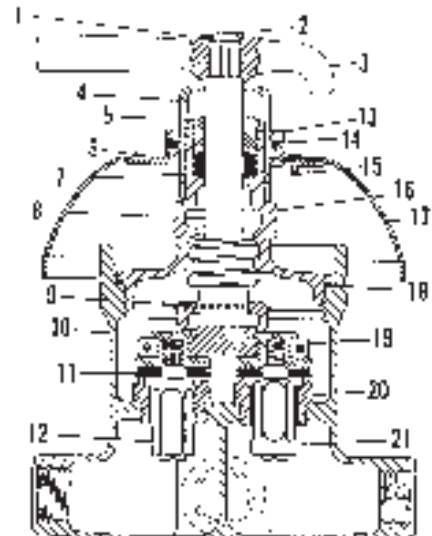
NOTE:
To replace a handle
held on with a nut
instead of a screw,
you must replace stem.

**SPEAKMAN EXPOSED INDUSTRIAL MIXOMETER VALVE**

ITEM	PART #	DESCRIPTION
1	15897520	Handle screw
2	15896808	Brass washer
3	15891814	Handle
4	15894204	Escutcheon
5	15892698	Spindle pin
6	15892680	Seat
7	15892298	Hot plunger
8	43661067	Spindle/stem
9	NLA	Dome shield
10	15890346	Packing nut
11	15891080	Packing
12		Hub
13	15890870	Hub washer
14		Body
15	15894788	Plunger & pin assy.
16	15896524	Seat washer
17	15892300	Cold plunger
18		Mounting flange

**SPEAKMAN COMMANDER BUILT-IN MIXOMETER**

ITEM	PART #	DESCRIPTION	ITEM	PART #	DESCRIPTION
1	15897520	Handle screw	18	15890870	Hub washer
2	15896808	Brass washer	19	15894788	Yoke assembly
3	15891814	Handle	20	15892680	Monel seat
4	NLA	Dome cap	21	15892300	Cold plunger
5	15890346	Packing nut		15894124	Escutcheon & dial plate assy. (Consists of items 6, 15 & 17)
6	15894300	Dial plate			
7	15891080	Packing			
8	43661066	Stem			
9	15892698	Monel pin			
10		Body			
11	15896524	Seat washer			
12	15892298	Hot plunger			
13	15890864	Collar, pin & set screw assy.			
14	15897396	Set screw			
15	15897742	Dial screw			
16		Hub			
17	15894164	Escutcheon			



**TOTAL
MAINTENANCE
SOLUTIONS**

HOUSTON
800/392-5066

ORLANDO
800/327-3022

GREENVILLE
800/476-2212

LOOK FOR US ON THE WEB AT: www.TMSSouth.com

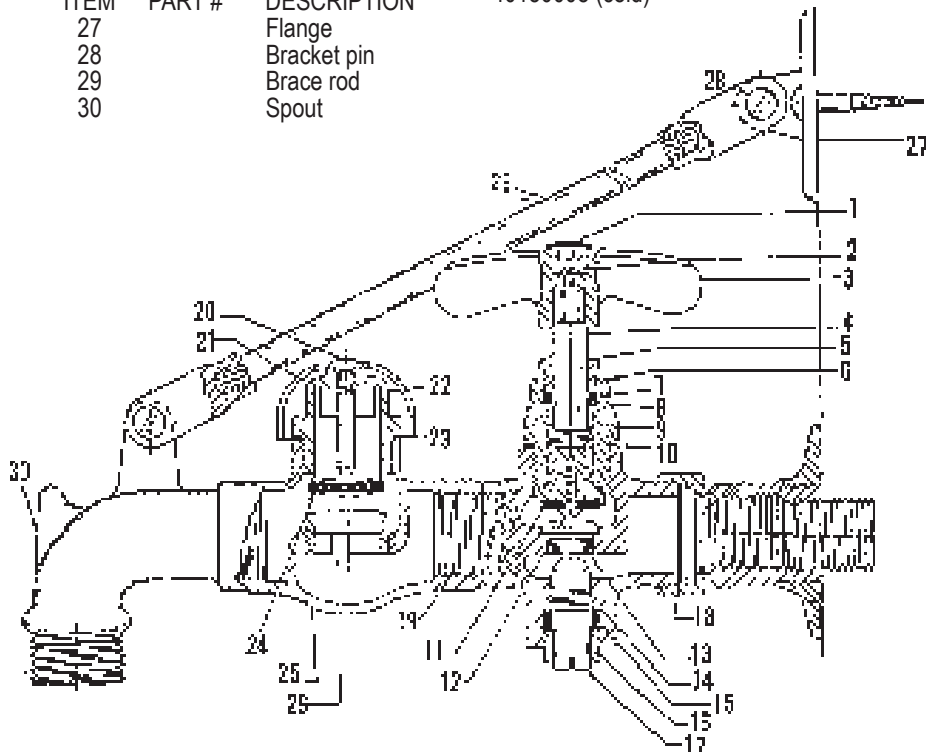
FAUCET REPAIR

SPEAKMAN SERVICE SINK FAUCET - "FIAT"

* If using lever handles, use 40150004 (hot) and 40150008 (cold)

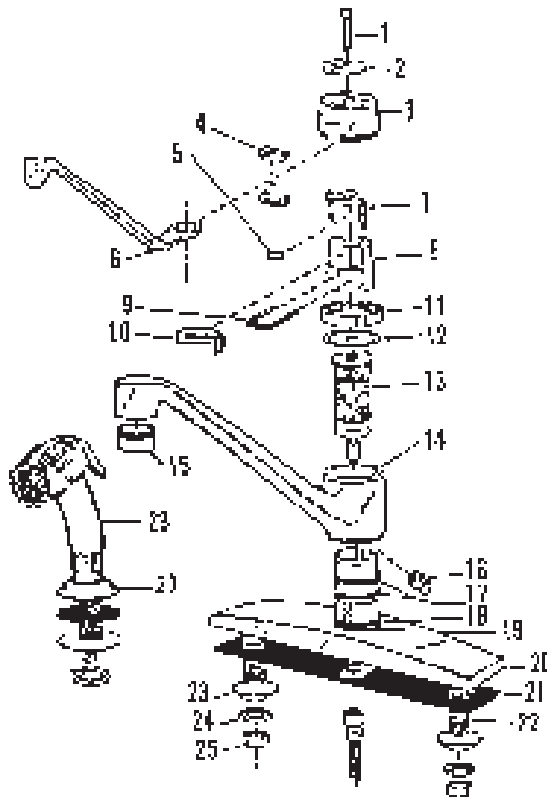
ITEM	PART #	DESCRIPTION
1	15896198	Hot index button
	15896200	Cold index button
2	50100034	Handle screw
3	40150101	Handle
4		Stem – see item 6
5	15890482	Packing nut
6	40150004	Stem & bonnet assy.*
7	40150096	Packing
8	40150130	Washer
9		Bonnet – see item 6
10	41720310	Hub washer
11	40110162	Seat washer
12	50100010	Screw
13	15890430	Seat
14	40150130	Washer
15	40150096	Packing
16	15890482	Packing nut
17		I.S. spindle
18	15890860	Washer
19		Ferrule
20	15897726	VB cap screw
21	15893948	VB cap
22		VB hub
23	15896520	VB hub washer
24	40110040	VB disc assy.
25		VB body
26	15893160	VB seat

ITEM	PART #	DESCRIPTION
27		Flange
28		Bracket pin
29		Brace rod
30		Spout



SPEAKMAN COLORTEMP 8" SINK FITTING

ITEM	PART #	DESCRIPTION
1	15897638	Handle screw
2	15890790	Acrylic insert
3	15890758	Handle cap
4	15890480	Handle bushing
5	15893444	Color disc clip
6	15890260	Handle
7	15890840	Color disc assy.
8	15890150	Collar
9	15890470	Retainer clip
10	NLA	Handle race
11	15890762	Handle ring
12	40150130	Friction washer
13	40150146	Cartridge
14	15894740	Spout
15	40110144	Aerator
16	45732034	Diverter
17	40950073	O-Ring
18	40950080	O-Ring
19	15893446	Escutcheon ring
20		Body
21		Deck washer
22		Base & shank
23	15897038	Cadmium washer
24	40800598	Locknut
25	40800454	Coupling nut
26	40110165	Hose & spray head
27	45731002	Hose guide assy.



**TOTAL
MAINTENANCE
SOLUTIONS**

HOUSTON
800/392-5066

ORLANDO
800/327-3022

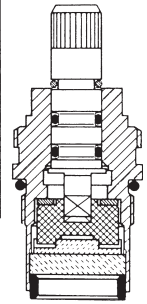
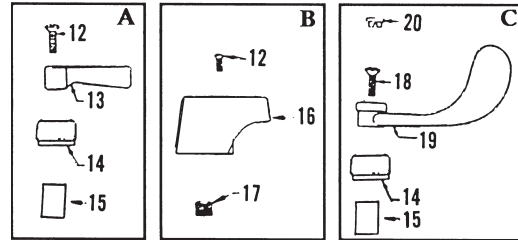
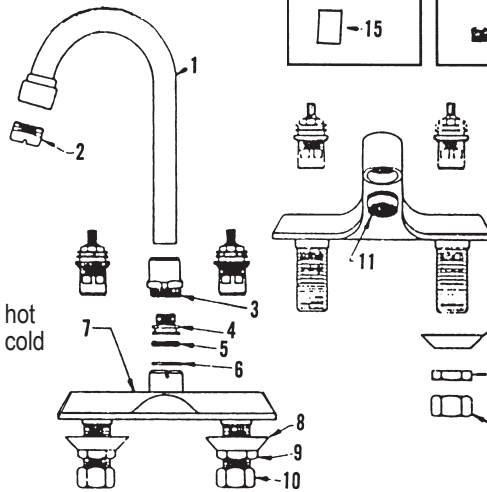
GREENVILLE
800/476-2212

LOOK FOR US ON THE WEB AT: www.TMSSouth.com

FAUCET REPAIR

SPEAKMAN COMMANDER CENTERSET LAVATORY

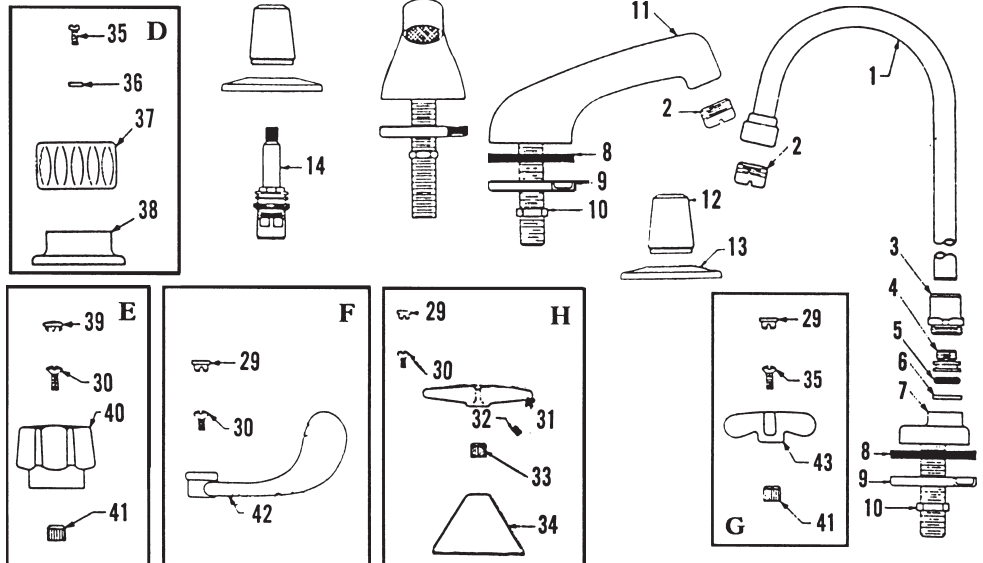
- | ITEM | PART # | DESCRIPTION |
|------|----------|---------------------------|
| 1 | | Gooseneck assembly |
| 2 | 40110124 | Aerator |
| 3 | 15890926 | Collar nut |
| 4 | 15893702 | Nozzle bushing |
| 5 | 40950026 | O-Ring |
| 6 | 15896528 | Fibre washer |
| 7 | | Body assembly |
| 8 | 40800529 | Cup washer |
| 9 | 40800598 | Locknut |
| 10 | 40800454 | Coupling nut |
| 11 | 40110144 | Aerator |
| 12 | 40150060 | Handle screw |
| 13 | 15892308 | Lever handle – hot |
| | 15892310 | Lever handle – cold |
| 14 | 15890922 | Collar |
| 15 | 15893700 | Sleeve |
| 16 | 15892180 | Round lever handle – hot |
| | 15892190 | Round lever handle – cold |
| 17 | 15893706 | Bushing |
| 18 | 15897728 | Handle screw |
| 19 | 15892162 | Wrist handle |
| 20 | 40150058 | Handle index – hot |
| | 40150059 | Handle index – cold |



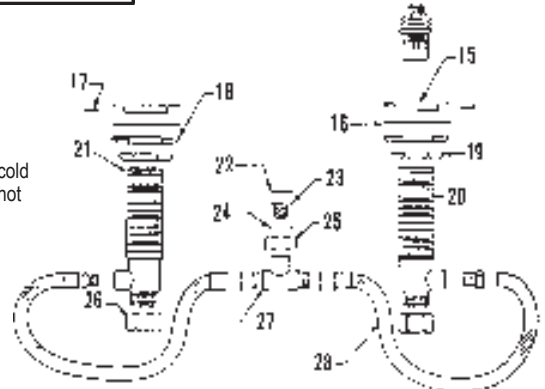
HANDLE TRIM TYPE	CARTRIDGE REPAIR KIT	
	HOT	COLD
A	40150007	40150003
B	40150009	40150010
C	40171009	40170030
D	43661076	43664076
E	43661076	43661076
F	43661082	40170004
G	40171000	40171000
H	40171000	40171000

SPEAKMAN COMMANDER WIDESPREAD LAVATORY

- | ITEM | PART # | DESCRIPTION |
|------|----------|---------------------------------------|
| 1 | 15898396 | Gooseneck assembly |
| 2 | 40110124 | Aerator |
| 3 | 15890926 | Collar nut |
| 4 | 15893702 | Nozzle bushing |
| 5 | 40950026 | O-Ring |
| 6 | 15896528 | Fibre washer |
| 7 | 15895464 | Flange assy. w/ lift rod hole |
| | 15895466 | Flange assembly |
| 8 | 15897244 | Channel washer |
| 9 | 15898116 | Nozzle spacer |
| 10 | 15890818 | Shank nut |
| 11 | | Nozzle assembly |
| 12 | 15898122 | Collar |
| 13 | 15895540 | Flange |
| 14 | 15893706 | Sleeve |
| 15 | | Flange nut |
| 16 | | Rubber washer |
| 17 | 15897724 | Set screw |
| 18 | | Split washer |
| 19 | | Locknut |
| 20 | | Body assy – round handle |
| | | Closes clockwise |
| 21 | | Body assy. – closes clockwise |
| | | Body assy. – closes counter clockwise |
| 22 | 15897260 | Rubber washer |
| 23 | 15894108 | Swivel |
| 24 | 15897262 | Friction washer |
| 25 | 15890858 | Coupling nut |
| 26 | 40800454 | Coupling nut |
| 27 | | Tee assy. |
| 28 | 15898224 | Flex hose |
| 29 | 40150058 | Hot index |
| | 40150059 | Cold index |
| 30 | 15897728 | Handle screw |
| 31 | 40150129 | Cross handle |



- | ITEM | PART # | DESCRIPTION |
|------|----------|---------------------------|
| 32 | 15897542 | Set screw |
| 33 | 15893700 | Bushing |
| 34 | 40150113 | Diamond 75 trim assy. |
| 35 | 40150060 | Handle screw |
| 36 | 15897142 | Washer |
| 37 | 40180025 | Round handle assy. – cold |
| | 15891820 | Round handle assy. – hot |
| 38 | 15894288 | Flange |
| 39 | 15890800 | Hot index |
| | 15890810 | Cold index |
| 40 | 15892082 | Round fluted handle |
| 41 | 15893700 | Bushing |
| 42 | 15892162 | 4" wrist handle |
| | 15892164 | 6" wrist handle |
| 43 | 15892142 | Cross handle |



**TOTAL
MAINTENANCE
SOLUTIONS**

HOUSTON
800/392-5066

ORLANDO
800/327-3022

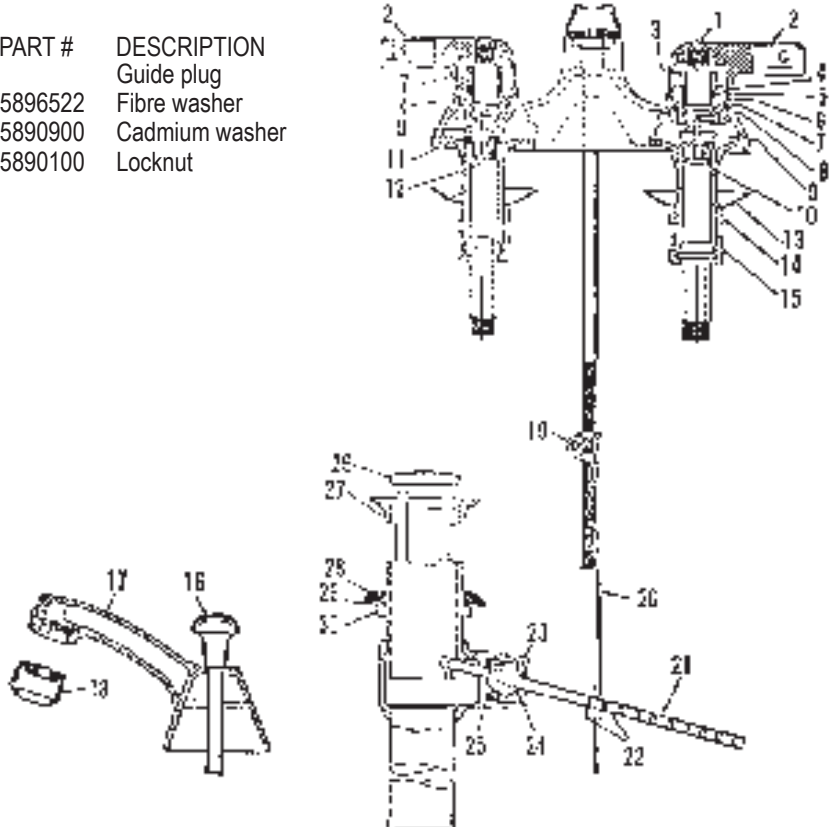
GREENVILLE
800/476-2212

LOOK FOR US ON THE WEB AT: www.TMSSouth.com

FAUCET REPAIR

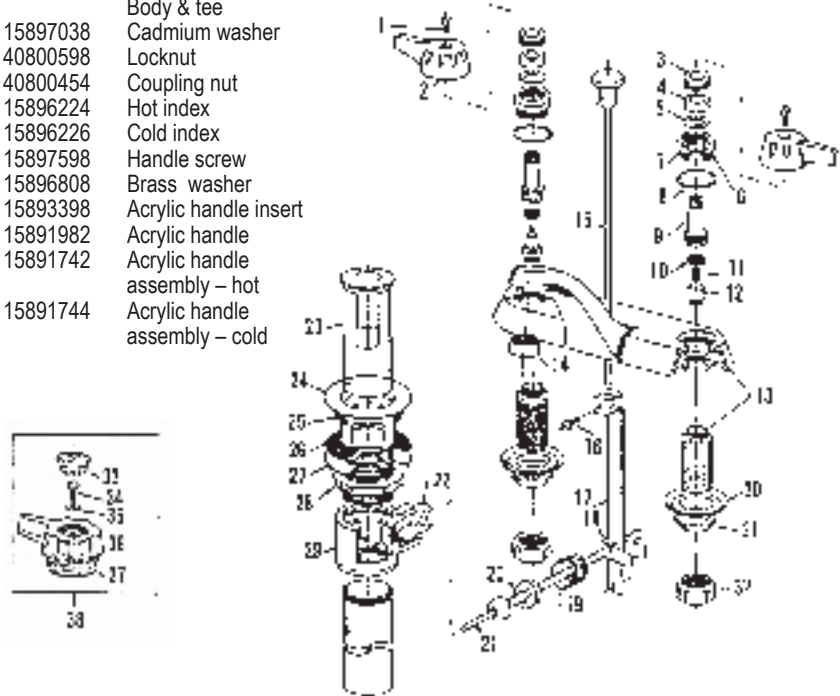
SPEAKMAN DIAMOND CENTERSET LAVATORY

ITEM	PART #	DESCRIPTION	ITEM	PART #	DESCRIPTION
1	15891068	Handle screw	27		Guide plug
2	15890270	Handle – hot	28	15896522	Fibre washer
	15890280	Handle – cold	29	15890900	Cadmium washer
3	15890482	Packing nut	30	15890100	Locknut
4		Stem & bonnet			
5	40150096	Packing			
6	40150130	Brass washer			
7		Bonnet			
8	15896522	Washer			
9	43661008	Stem – L.H.			
	43661007	Stem – R.H.			
10	50100010	Bibb screw			
11	40110162	Seat washer			
12	42000700	Renewable seat			
13	15896646	Cup washer			
14	40800598	Locknut			
15	40800454	Coupling nut			
16	NLA	Lift rod & knob			
17		Body			
18	40110144	Aerator			
19	15897320	Screw			
20	15897284	Lift rod extension			
21	15895622	Rod & ball			
22		Cotter pin			
23	15890538	Spring nut			
24	15895740	Spring			
25	15896860	Fibre washer			
26	15890630	Stopper			



SPEAKMAN KENT CENTERSET LAVATORY

ITEM	PART #	DESCRIPTION	ITEM	PART #	DESCRIPTION
1	50100027	Handle screw	27	15890900	Cadmium washer
2	15890270	Handle – hot	28	15890100	Locknut
	15890280	Handle – cold	29		Body & tee
3	15890722	Packing nut	30	15897038	Cadmium washer
4	40150096	Bonnet packing	31	40800598	Locknut
5	40150130	Washer	32	40800454	Coupling nut
6	43661001	Stem & bonnet assembly – L.H.	33	15896224	Hot index
	43661002	Stem & bonnet assembly – R.H.	34	15896226	Cold index
7		Bonnet	35	15897598	Handle screw
8	41720310	Hub gasket	36	15896808	Brass washer
9		Stem (see item 6)	37	15891982	Acrylic handle insert
10	40110118	Seat washer	38	15891742	Acrylic handle assembly – hot
11	50100010	Bibb screw		15891744	Acrylic handle assembly – cold
12	40400054	Seat			
13		Body			
14	40110144	Aerator			
15	15895608	Lift rod & knob			
16		Screw – see item 17			
17	15897282	Lift extension & screw			
18	15893498	Clip			
19	15890728	Nut			
20	15897104	Washer			
21	15895620	Rod & ball			
22	15897046	Washer			
23	15890630	Stopper			
24		Guide plug			
25	15896864	Rubber washer			
26	15890854	Washer			



**TOTAL
MAINTENANCE
SOLUTIONS**

HOUSTON
800/392-5066

ORLANDO
800/327-3022

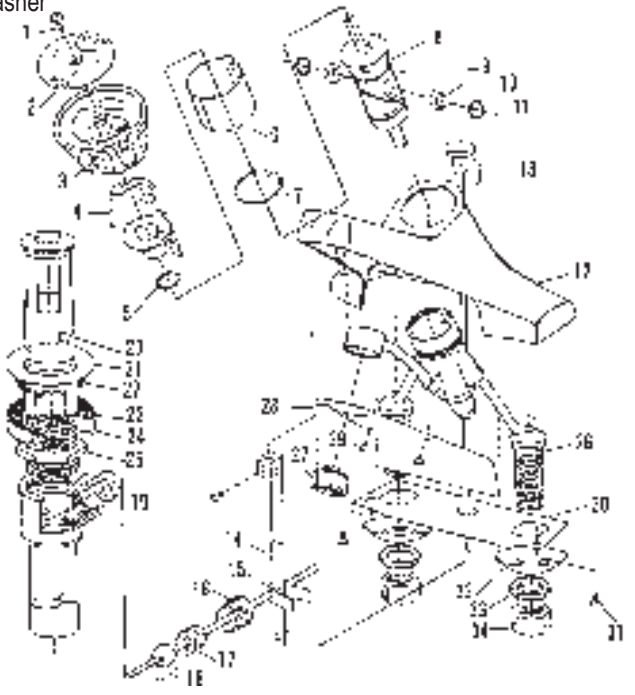
GREENVILLE
800/476-2212

LOOK FOR US ON THE WEB AT: www.TMSSouth.com

FAUCET REPAIR

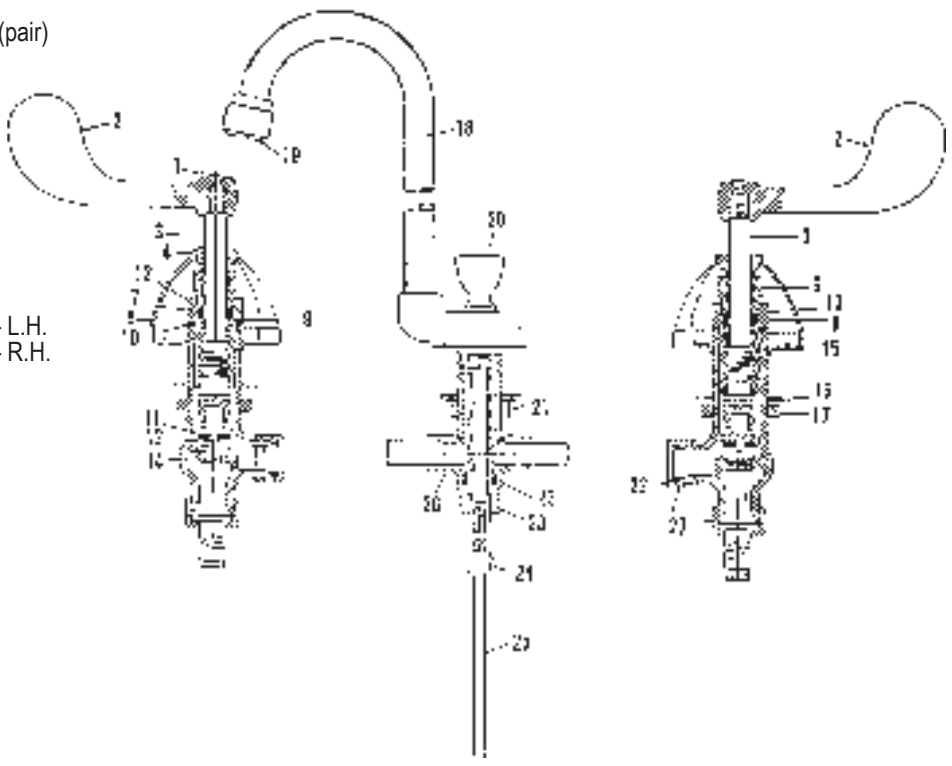
SPEAKMAN COLORTEMP SINGLE CONTROL LAVATORY

ITEM	PART #	DESCRIPTION	ITEM	PART #	DESCRIPTION
1	15897550	Handle screw	29		Screw
2	15890780	Index	30		Base plate
3	15890350	Handle	31		Screw
4	15890830	Color disc assy.	32	15897038	Cadmium washer
5	15890440	Clip	33	40800598	Locknut
6	15890886	Collar	34	40800454	Coupling nut
7	15895822	Clip			
8	40950037	O-Ring			
9	40150146	Cartridge			
10	15897042	Seal			
11	40950105	O-Ring			
12		Body			
13	15895608	Lift rod & knob			
14	15897282	Lift extension & screw			
15	15890440	Clip			
16	15890538	Spring nut			
17	15895740	Spring			
18	15895622	Rod & ball			
19	15896860	Fibre washer			
20	15890630	Stopper			
21		Guide plug			
22	15896864	Rubber washer			
23	15890854	Rubber washer			
24	15890900	Cadmium washer			
25	15890100	Locknut			
26		Body & shank			
27	40110144	Aerator			
28		Filler plate			



SPEAKMAN COMMANDER LAVATORY

ITEM	PART #	DESCRIPTION
1	50100030	Handle screw
2	15898360	Wrist handle w/ insert (pair)
3		Stem - see item 13
4	15890706	Cap nut
5	15894166	Escutcheon
6	15890331	Packing nut
7	40150096	Packing
8		Bonnet - see item 13
9	40150130	Washer
10	15897920	O-Ring
11	40110162	Stem washer
12	50100010	Bibb screw
13	43661040	Stem & bonnet assy. - L.H.
	43661041	Stem & bonnet assy. - R.H.
14	15892412	Seat
15		Body flange
16		Washer
17		Locknut
18	15894600	Gooseneck spout
19	40110124	Aerator
20	15895588	Lift rod & knob assy.
21	15890466	Locknut
22	15891090	Packing
23	15890477	Nozzle nut
24	15897320	Screw
25		Turnbuckle
26	15895248	Tee & tube assy.
27	40800454	Coupling nut



**TOTAL
MAINTENANCE
SOLUTIONS**

HOUSTON
800/392-5066

ORLANDO
800/327-3022

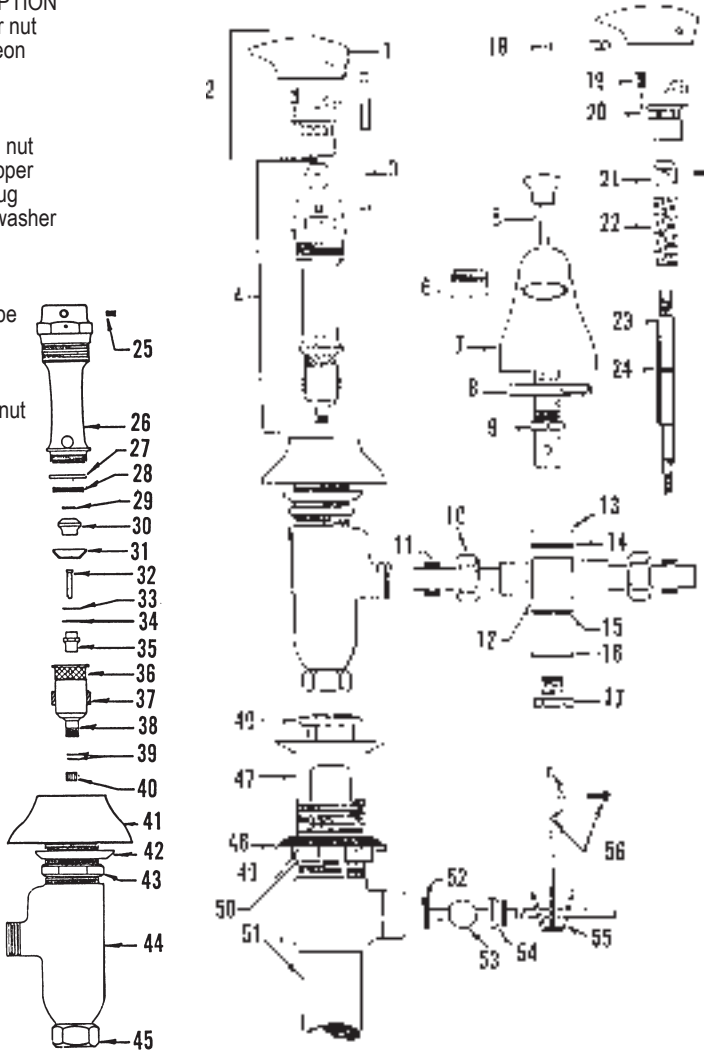
GREENVILLE
800/476-2212

LOOK FOR US ON THE WEB AT: www.TMSSouth.com

FAUCET REPAIR

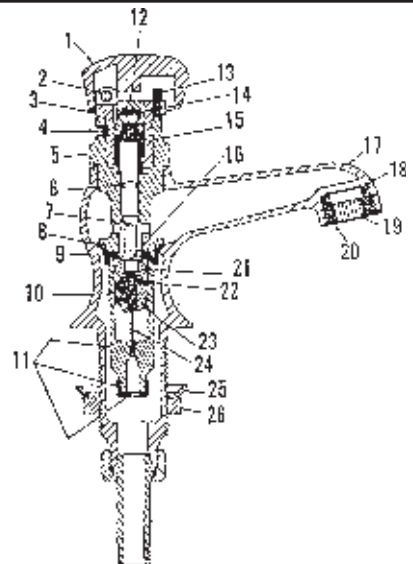
SPEAKMAN COMMANDER II METERING WIDESPREAD

ITEM	PART #	DESCRIPTION	ITEM	PART #	DESCRIPTION
1	15894406	Push button – hot	40		Chamber nut
	15894408	Push button – cold	41	15894218	Escutcheon
2	15894308	Handle assy. – hot	42	15896740	Washer
	15894310	Handle assy. – cold	43		Locknut
3	15897426	Set screw	44		Body
4	15892324	Mounting group	45		Coupling nut
5	15895640	Lift rod	46	15890630	Plug stopper
6	40110124	Aerator	47		Guide plug
7		Nozzle assembly	48	15890854	Rubber washer
8		Spacer	49	15890900	Cadium washer
9		Shank nut			washer
10		Coupling nut	50	15890100	Locknut
11	15891090	Packing	51		Tee & tube
12	15895288	Tee & tube assy. – 8" centers	52	15897140	Washer
	15895290	Tee & tube assy. – 12" centers	53	15895620	Rod & ball
13	15897146	Washer – brass	54	15890694	Packing nut
14	40950105	O-Ring	55	15893498	Clip
15	15896528	Washer	56	15897282	Lever & screw
16		Washer – metal			
17		Nut			
18	15897466	Pin			
19	15897468	Set screw			
20	15894488	Yoke			
21	15893120	Adjusting piece			
22	15895738	Spring			
23	15891208	Spindle			
24	40950017	O-ring			
25	15897642	Set screw			
26		Metering hub			
27	15896946	Washer			
28	15896702	Rubber washer			
29	15890960	Fibre washer			
30	15893022	Noryl seat			
31	15896746	Cup washer			
32	15895688	Pin			
33	15897142	Brass washer			
34	15897144	Lock washer			
35	15890804	Washer nut			
36	15895228	Chamber screen			
37	15890808	Coupling nut			
38	15893502	Chamber			
39	15895204	Strainers			



SPEAKMAN EASY-PUSH METERING LAVATORY FAUCET – MODEL 58

ITEM	PART #	DESCRIPTION	ITEM	PART #	DESCRIPTION
1	15894310	Push button – hot	20	15893142	Outlet nut
	15894308	Push button – cold	21	15893022	Seat
2	15897466	Handle pin	22	15896746	Cup washer
3	15894488	Yoke	23	15893008	Cup washer nut
4	40400016	Set screw	24		Pin – see item 11
5		Hub	25	15896920	Cadmium washer
6	40950017	O-Ring	26	40800598	Locknut
7	15891206	Spindle			
8	15896704	Hub washer			
9	15896702	Seat washer			
10	15897428	Set screw			
11	15898482	Chamber & screen assy.			
12	15893120	Adjusting piece			
13	15897468	Adjusting screw			
14	15897426	Set screw			
15	15895738	Spring			
16	15890960	Fibre washer			
17		Body			
18	15896766	Fibre washer			
19	40110124	Aerator			



**TOTAL
MAINTENANCE
SOLUTIONS**

HOUSTON
800/392-5066

ORLANDO
800/327-3022

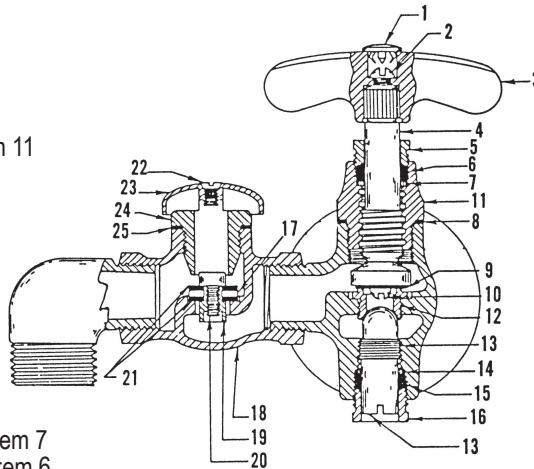
GREENVILLE
800/476-2212

LOOK FOR US ON THE WEB AT: www.TMSSouth.com

FAUCET REPAIR

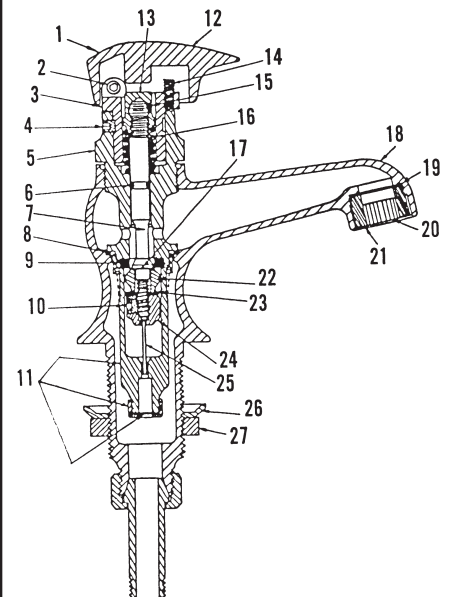
SPEAKMAN CAN WASH S-4910

ITEM	PART #	DESCRIPTION
1	15890784	Index button
2	50100034	Handle screw
3	40150101	Handle
4		Stem – see item 11
5		Bonnet
6	40150096	Packing
7	40150130	Washer
8	41720310	Hub washer
9	40110162	Seat washer
10	50100010	Screw
11	43661027	Stem & bonnet assembly
12	15890430	Seat
13		IS spindle
14		Washer – see item 7
15	40150096	Packing – see item 6
16	15890482	Nut
17		Washer
18		Body
19	15890559	Washer nut
20	15897444	Screw
21	15896846	Rubber washer
22	15891068	Screw
23		Cap
24	15893944	Hub seat
25	15893008	Washer
*	40110040	VB repair kit Items 21-22, 24-25



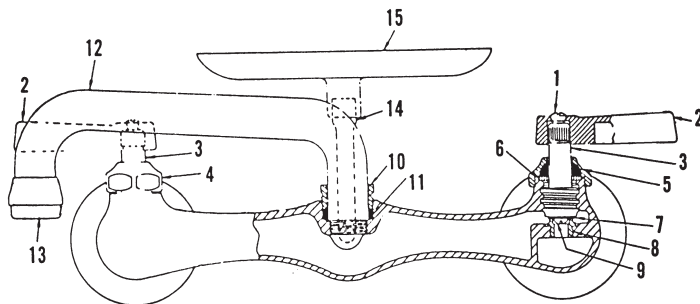
SPEAKMAN EASY-PUSH METERING LAVATORY FAUCET MODEL 70

ITEM	PART #	DESCRIPTION
1	15894406	Push button – hot
	15894408	Push button – cold
2	15897466	Handle screw
3	15894488	Yoke
4	40400016	Set screw
5		Hub
6	40950017	O-Ring
7	15891206	Spindle
8	15896704	Hub washer
9	15896702	Seat washer
10	15897428	Set screw
11	15898482	Chamber & screen assembly
12	15894310	Push button assembly – hot
	15894308	Push button assembly – cold
13	15893120	Adjusting piece
14	15897468	Adjusting screw
15	15897426	Set screw
16	15895738	Spring
17	15890960	Fibre washer
18		Body
19	15896766	Fibre washer
20	40110124	Aerator
21	15893142	Outlet nut
22	15893022	Seat
23	15896746	Cup washer
24	15893008	Cup washer nut
25		Pin – see item 11
26	15896920	Cadmium washer
27	40800598	Locknut



SPEAKMAN UTILITY SINK FITTING S-4731

ITEM	PART #	DESCRIPTION	ITEM	PART #	DESCRIPTION
1	50100027	Handle screw	10	15890352	Nozzle packing nut
2	15890212	Lever handle – hot	11	15897768	Nozzle packing
	15890214	Lever handle – cold	12	15894526	Nozzle & collar assembly
3	43661005	Stem & bonnet – cold	13	40110144	Aerator
	43661066	Stem & bonnet – hot	14		Soap dish post
4	15890428	Packing nut	15		Soap dish
5	15897766	Packing			
6	15896560	Brass washer			
7	40110094	Washer			
8	40400054	Seat			
9	50100010	Screw			



**TOTAL
MAINTENANCE
SOLUTIONS**

HOUSTON
800/392-5066

ORLANDO
800/327-3022

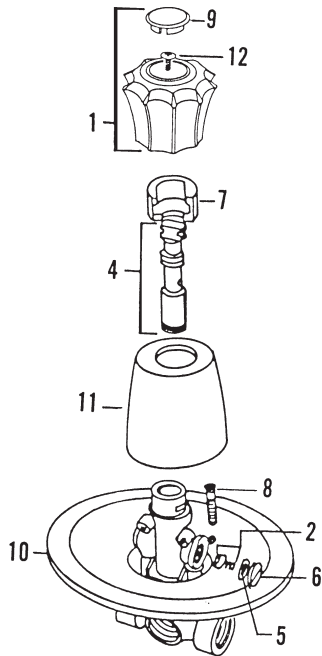
GREENVILLE
800/476-2212

LOOK FOR US ON THE WEB AT: www.TMSSouth.com

FAUCET REPAIR

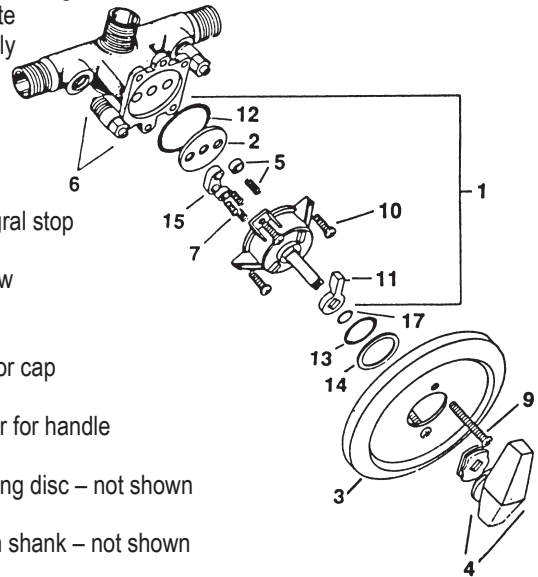
STERLING 011 SERIES SINGLE CONTROL TUB & SHOWER

ITEM	PART #	DESCRIPTION
1	16890158	Handle assembly – clear
	NLA	Handle assembly – smoke
2	NLA	Main seal & spring
3	16891055	Integral stop - not shown
4	16890110	Plunger assembly
5	40950047	O-Ring
6	NLA	Screw
7	NLA	Collar
8	NLA	Screw
9	NLA	Insert button
10	NLA	Escutcheon plate
11	NLA	Cover
12	16891380	Handle screw
13	16890689	Ejector Tee - not shown



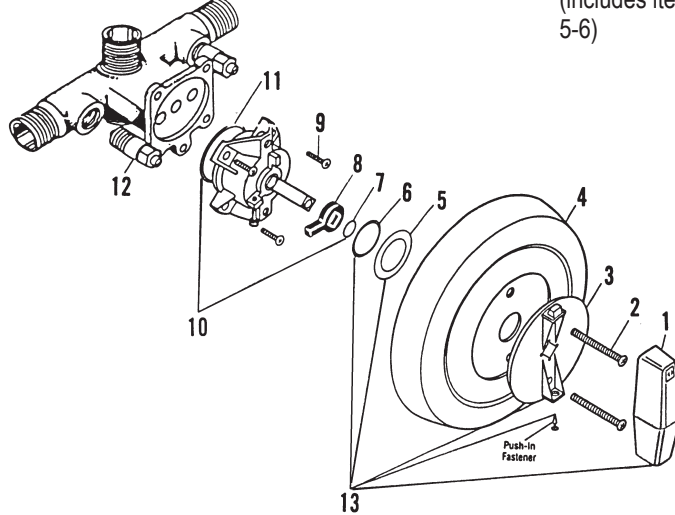
STERLING SERIES 021, 022, 023 & 024 TUB & SHOWER MIXING VALVE – (OLD STYLE)

ITEM	PART #	DESCRIPTION
1	40150114	“Snap-in” mixing cartridge
2	16890150	Sealing disc with o-ring
3	16890144	Escutcheon plate
4	16890145	Handle assembly
5	40150083	Seal & spring assembly
6	16890252	Integral stop stem assembly
7	16890591	Spring
8	NLA	O-Ring for integral stop - not shown
9	16890617	Face plate screw
10	50100013	Cap screw
11	16891372	Stem stop
12	16891373	Sealing o-ring for cap
13	41001077	Handle o-ring
14	16891375	Retainer washer for handle
15	16891376	Kidney seal
16	40950020	O-Ring for sealing disc – not shown
17	40950021	Stem o-ring
18	40950041	O-Ring for stem shank – not shown



STERLING SERIES 021, 022, 023 & 024 TUB & SHOWER MIXING VALVE – (NEW STYLE)

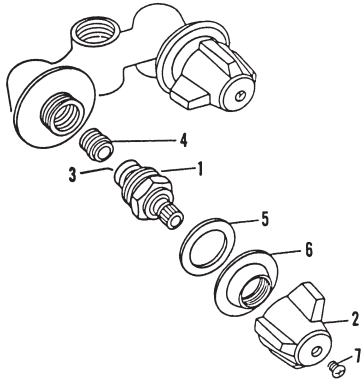
ITEM	PART #	DESCRIPTION	ITEM	PART #	DESCRIPTION
1	16890255	Handle	8	16891372	Stem stop
2	16890617	Face plate screws	9	16891371	Cap screw
3	16890256	Handle disc	10	16890155	Snap-in mixing cartridge
4	16890258	Escutcheon plate	11	16891373	Sealing o-ring for cap
5	NLA	Handle washer	12	16890252	Integral stop stem assembly
6	16890625	Handle o-ring	13	16890256	Handle & disc assembly (includes items 1-3 and 5-6)
7	40950021	Stem o-ring			



FAUCET REPAIR

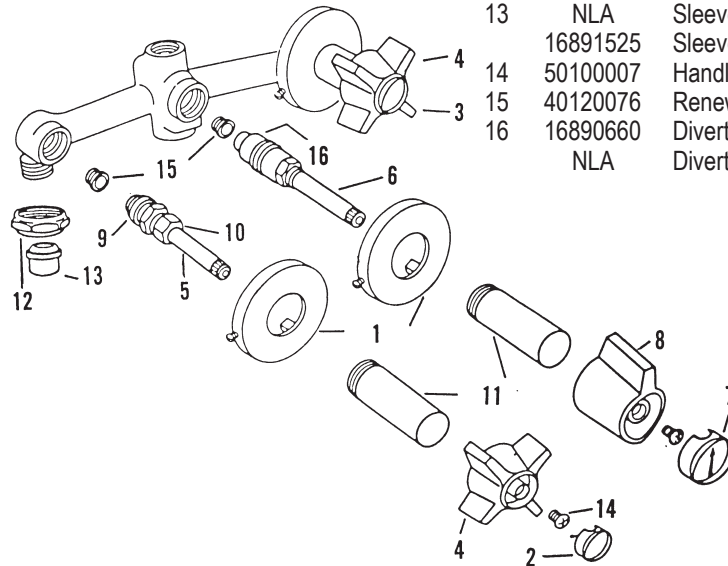
STERLING 334 SERIES SHOWER STALL VALVE

ITEM	PART #	DESCRIPTION
1	43671084	Hot stem assembly
	43671083	Cold stem assembly
2	16890460	Hot handle w/screw
	16890470	Cold handle w/screw
3	40110118	Seat washer
4	40120076	Renewable seat
5	16891635	Washer
6	16890640	Escutcheon
7	42720190	Handle screw



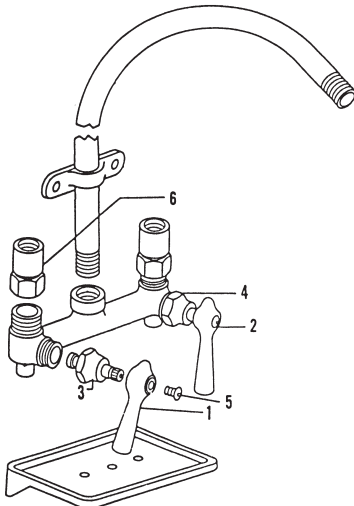
STERLING 102 SERIES TUB & SHOWER FITTING

ITEM	PART #	DESCRIPTION	ITEM	PART #	DESCRIPTION
1	16890210	Escutcheon	7	16890250	Diverter index
2	16890220	Hot index	8	16891085	Diverter handle
3	16890230	Cold index	9	40950038	Bonnet o-ring
4	16890241	Handle assy. w/index	10	NLA	Packing nut
5	43671070	Hot & cold stem assembly		16891320	Packing
	40110118	Seat washer	11	16890610	Escutcheon tube
6	43671072	Diverter stem assembly	12	NLA	Coupling kit
			13	NLA	Sleeve – copper sweat
				16891525	Sleeve – IP
			14	50100007	Handle screw
			15	40120076	Renewable seat
			16	16890660	Diverter stem bushing
				NLA	Diverter stem o-ring



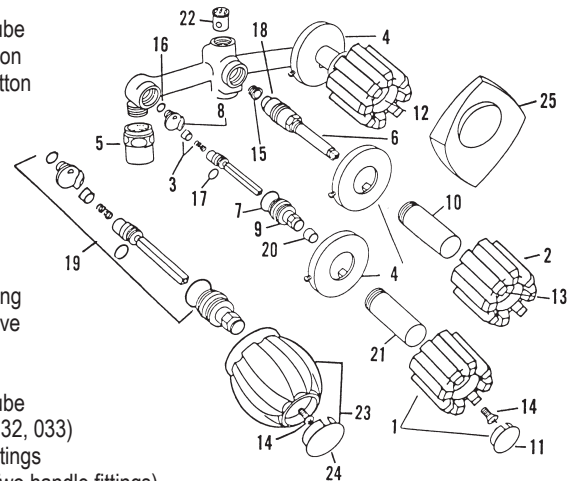
STERLING 32411 UTILITY SHOWER

ITEM	PART #	DESCRIPTION
1	16890320	Hot handle
2	16890340	Cold handle
3	43671086	Hot stem assembly
4	43671085	Cold stem assembly
	40110118	Seat washer
	40950022	Stem o-ring
5	50100007	Handle screw
6		1/2" IPS coupling



STERLING 030 SERIES 2 & 3 VALVE TUB & SHOWER FITTING

ITEM	PART #	DESCRIPTION	ITEM	PART #	DESCRIPTION
1	16890143	Handle assembly w/ hot & cold button	23	NLA	Diverter handle – smoke
2	NLA	Diverter handle		16890170	Diverter handle – clear
3	40150083	Main seal & spring S/A		16890165	Hot & cold handle – smoke
4	16890210	Escutcheon plate		40150156	Hot & cold handle – clear
5	16890511	1/2" IPS coupling	24	16891090	Diverter index
	NLA	1/2" copper coupling		16891385	Hot index
6	43675005	Diverter stem assy.		16891386	Cold index
7	40950038	Bonnet o-ring	25	16890183	Escutcheon for valves w/ integral stops
8	16891240	Renewable seat			
9	16891302	Bonnet			
10	16890610	Escutcheon tube			
11	16891336	Hot index button			
12	16891337	Cold index button			
13	16891338	Diverter index button			
14	16891380	Handle screw			
15	40120076	Seat for diverter stem			
16	40950022	O-Ring			
17	40950020	O-Ring			
18	16890660	Diverter bushing			
19	40520040	Hot & cold valve stem assy.			
20	16890605	Bushing			
21	16890610	Escutcheon tube (Series 031, 032, 033)			
22	16890689	Ejector Tee (Two handle fittings)			



HOUSTON
800/392-5066

ORLANDO
800/327-3022

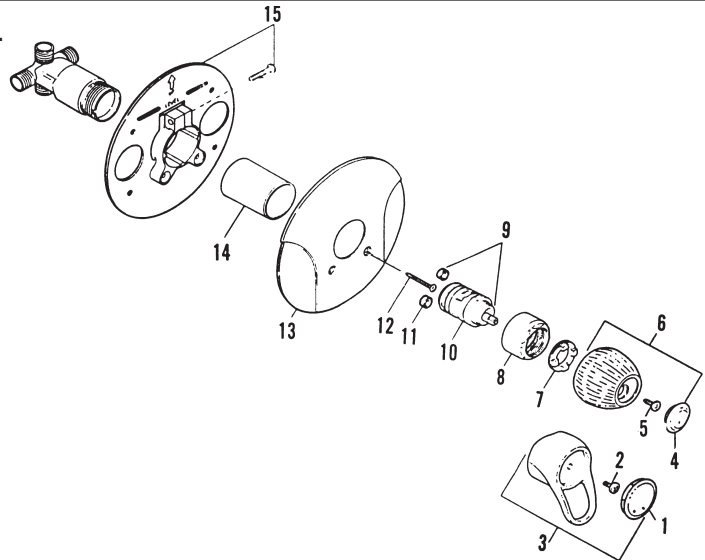
GREENVILLE
800/476-2212

LOOK FOR US ON THE WEB AT: www.TMSSouth.com

FAUCET REPAIR

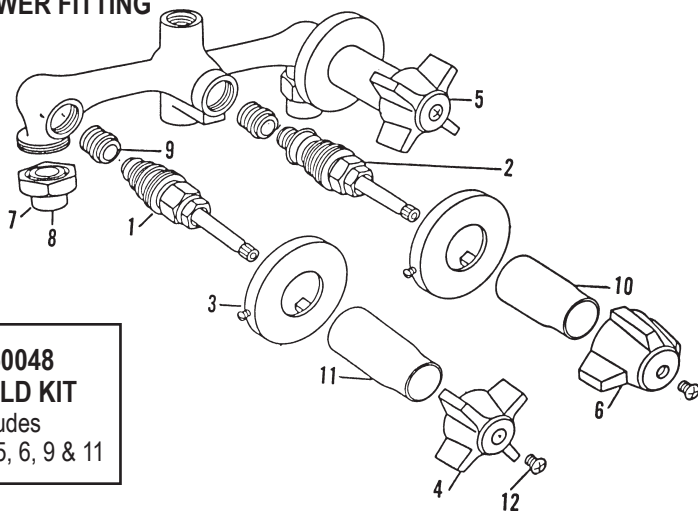
STERLING SERIES 01 TUB & SHOWER SINGLE CONTROL

ITEM	PART #	DESCRIPTION
1	16891358	Index button – loop
2	16891374	Screw – loop handle
3	16891102	Loop handle assembly
4	16891445	Index button – acrylic
5	16891370	Screw – acrylic handle
6	16891100	Acrylic handle assembly
7	NLA	Adjusting ring
8	16891350	Hub nut
9	16891040	Cartridge
10	16891355	O-Ring
11	16893121	Seal
12	16891362	Screw for escutcheon
13	NLA	Escutcheon
14	NLA	Escutcheon sleeve
15	16891367	Back plate assy. w/screw



STERLING 105 & 115 SERIES 3 OR 2 VALVE TUB & SHOWER FITTING

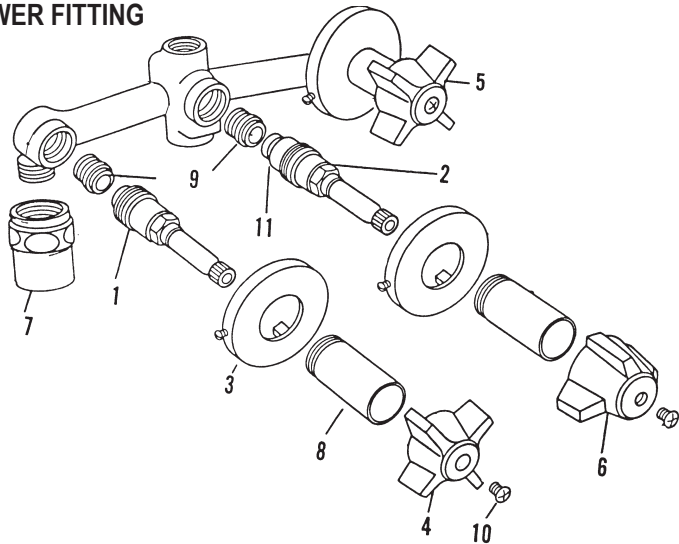
ITEM	PART #	DESCRIPTION
1	40150042	Hot & cold stem assembly
2	40150043	Diverter stem assembly
	40110118	Seat washer
	50100011	Bibb screw
	16890630	Stem packing
	40130581	Diverter seat washer
3	40150115	Escutcheon
4	40150116	Hot handle w/ screw
5	40150117	Cold handle w/ screw
6	16890450	Diverter handle w/ screw
7	NLA	Coupling nut
8	NLA	Sleeve – copper sweat
	16891525	Sleeve – IP
9	40120076	Renewable seat
10	16890670	Sleeve for diverter stem
11	40150111	Sleeve for hot & cold stem
12	42720190	Handle screw
	40150048	Rebuild kit



**40150048
REBUILD KIT**
includes
1, 2, 3, 4, 5, 6, 9 & 11

STERLING 104 & 114 SERIES 3 OR 2 VALVE TUB & SHOWER FITTING

ITEM	PART #	DESCRIPTION
1	43671046	Hot & cold stem assembly
2	43675000	Diverter stem assembly
	40950038	Bonnet o-ring
	40110118	Seat washer
	50100011	Bibb screw
	40950020	Stem o-ring
3	16890210	Escutcheon
4	40150116	Hot handle w/screw
5	40150117	Cold handle w/screw
6	16890450	Diverter handle w/screw
7	16890511	1/2" coupling IP
	NLA	1/2" coupling sweat
8	16890580	Escutcheon tube
9	40120076	Renewable seat
10	42720190	Handle screw
11	16890660	Bushing (114 series only)



**TOTAL
MAINTENANCE
SOLUTIONS**

HOUSTON
800/392-5066

ORLANDO
800/327-3022

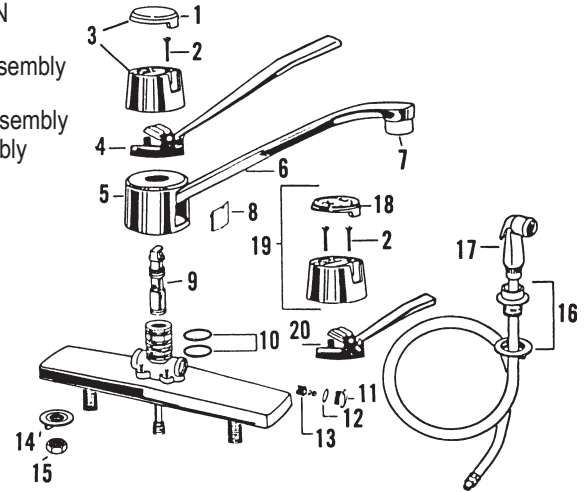
GREENVILLE
800/476-2212

LOOK FOR US ON THE WEB AT: www.TMSSouth.com

FAUCET REPAIR

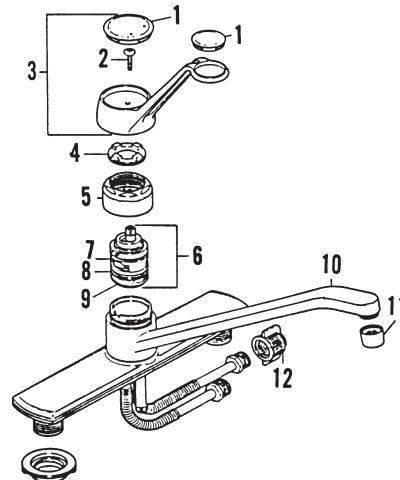
STERLING 072 SERIES (OLD STYLE) SINGLE CONTROL SINK FAUCET

ITEM	PART #	DESCRIPTION	ITEM	PART #	DESCRIPTION
1	NLA	Insert	17	40110165	Hose & spray head assembly
2	NLA	Handle screw	18	NLA	Index button
3	NLA	Handle cap assy.	19	NLA	Handle cap assembly
4	NLA	Handle assembly	20	NLA	Handle assembly
5	NLA	Handle cover			
6	16891064	Handle			
7	40110144	Aerator			
8	16890600	Access door			
9	16890120	Valve repair kit (items 9 thru 13)			
10		O-Ring			
11		Screw			
12		O-Ring			
13		Seal & spring			
14	40140346	Locknut			
15	40800454	Coupling nut			
16	40130680	Hose guide			



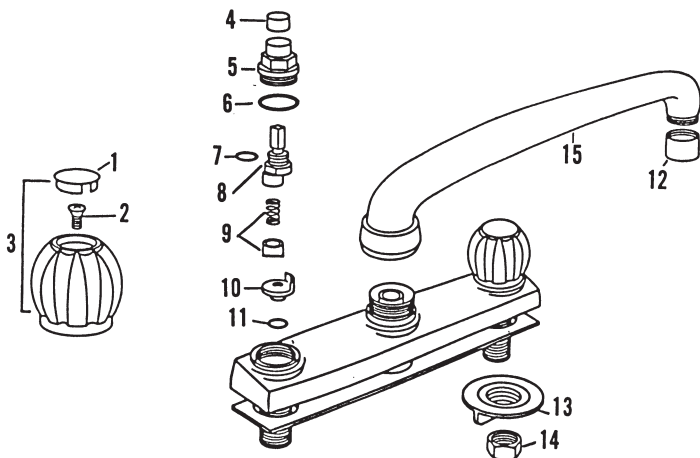
STERLING 072 TOP BRASS SERIES SINGLE CONTROL SINK FAUCET

ITEM	PART #	DESCRIPTION
1	NLA	Index button – large
	NLA	Index button – small
2	16891374	Handle screw
3	16891098	Handle assembly
4	NLA	Adjusting ring
5	16891350	Hub nut
6	16891040	Cartridge assy. – no spray
	16891050	Cartridge assy. w/ spray
7	16891355	O-Ring
8	NLA	Spray o-ring
9	16893121	Seal
10	16891352	Spout
11	40110144	Aerator
12	40800454	Coupling nut



STERLING 081 & 082 SERIES TWO HANDLE SINK

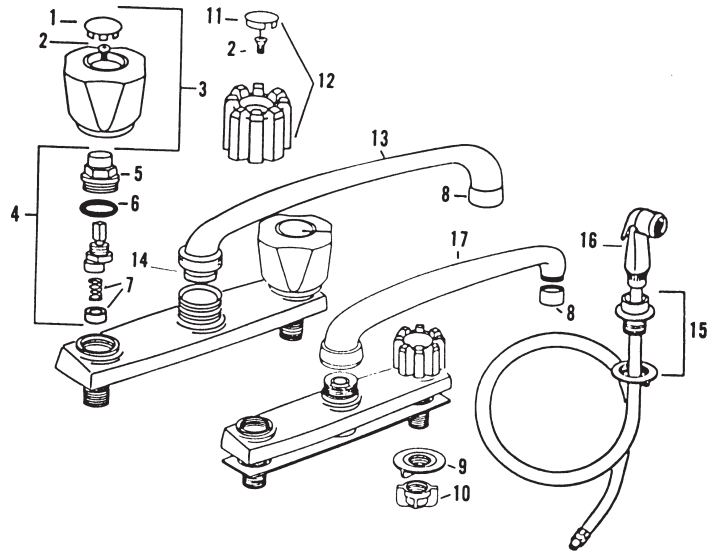
ITEM	PART #	DESCRIPTION
1	16891385	Index button – hot
	16891386	Index button – cold
2	16891380	Handle screw
3	16890180	Handle assy. – hot & cold
4	NLA	Bushing
5	16891300	Bonnet
6		Bonnet o-ring
7	40520079	Valve repair kit (items 6 thru 11)
8		O-Ring
9		Spring & seal
10		Seat
11		O-Ring
12	40110016	Aerator
13	40140346	Tailpiece nut
14	40800454	Coupling nut
15	16891078	Spout



FAUCET REPAIR

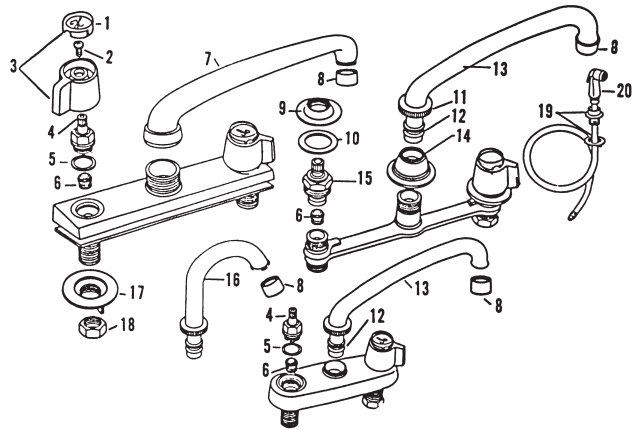
STERLING 063 & 084 SERIES TWO HANDLE SINK

ITEM	PART #	DESCRIPTION
1	16891326	Index button – hot
	16891328	Index button – cold
	16891380	Handle screw
2	40150071	Handle assy. – hot & cold
3	40150035	Stem assembly kit
4		Bonnet
5		O-Ring
6	40150083	Seal & spring
7	40110144	Aerator
8	40140346	Locknut
9	40800454	Coupling nut
10	16891336	Index button – hot
11	16891337	Index button – cold
12	16890143	Handle assy. – hot & cold
13	16891200	Spout
14	40950021	Spout o-ring
	16890700	Diverter – not shown
15	40130680	Hose guide
16	40110165	Hose & spray head assy.
17	16891078	Spout



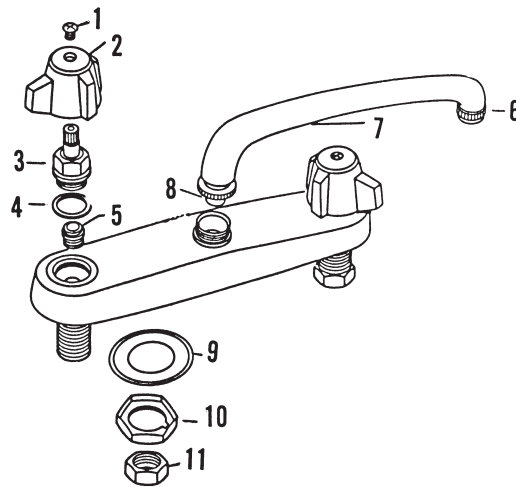
STERLING 26, 261 SERIES & 25130 SERIES SINK FAUCET

ITEM	PART #	DESCRIPTION	ITEM	PART #	DESCRIPTION	ITEM	PART #	DESCRIPTION
1	16890220	Index button – hot	15	43671011	Stem & bonnet – cold	18	40800454	Coupling nut
	16890230	Index button – cold		43671012	Stem & bonnet – hot	19	45731002	Hose guide assembly
2	50100007	Handle screw	16	16891086	Gooseneck spout assembly	20	40110165	Hose & spray assembly
3	16890240	Handle assy. H & C	17	21940315	Locknut			
4	40150034	Stem & bonnet – cold						
	40150110	Stem & bonnet – hot						
	40950020	Stem o-ring						
	40110118	Stem washer						
	50100011	Bibb screw						
5	40130671	Bonnet washer						
6	40150076	Seat						
7	16891078	Spout assembly						
	16890700	Spray diverter – not shown						
8	40110144	Aerator						
9	16890640	Flange						
10	16891590	Flange washer						
11	16891718	Spout nut						
12	40950025	Spout o-ring						
13	16891204	Spout assembly – 8"						
	16891168	Spout assembly – 12"						
14	16891570	Spout flange						



STERLING 266 SERIES SINK FAUCET

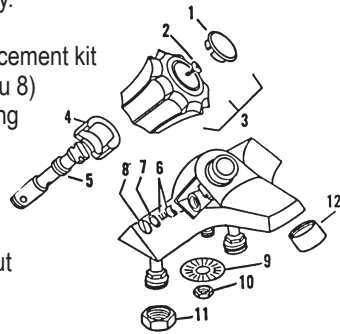
ITEM	PART #	DESCRIPTION
1	40121093	Handle screw
2	16890460	Handle assy. – hot
	16890470	Handle assy. – cold
3	40150034	Stem & bonnet – cold
	40150110	Stem & bonnet – hot
	40950022	Stem o-ring
	40110118	Stem washer
	50100011	Bibb screw
4	40130671	Bonnet washer
5	40150076	Seat
6	40110144	Aerator
7	16891200	Brass spout w/aerator
8	16891562	Spout o-ring
9	40800529	Rosette
10	40800598	Locknut
11	40800454	Coupling nut
12	40130681	Spray diverter – not shown



FAUCET REPAIR

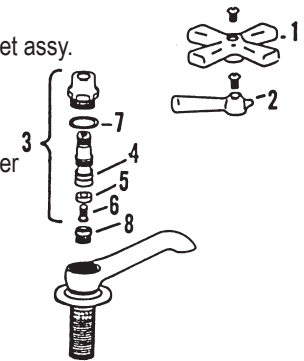
STERLING 040 SERIES SINGLE CONTROL LAVATORY

ITEM	PART #	DESCRIPTION
1	NLA	Insert button
2	16891380	Handle screw
3	16890158	Handle assy.
4	NLA	Slip stop
5	16890110	Valve replacement kit (items 5 thru 8)
6		Seal & spring
7		O-Ring
8		Screw
9	NLA	Rosette
10		Nut
11	40800454	Coupling nut
12	40110144	Aerator



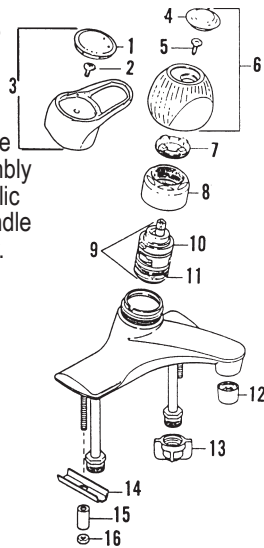
STERLING SINGLE LAVATORY FAUCET

ITEM	PART #	DESCRIPTION
1	16890280	4 arm handle
2	16890550	Lever handle
3	43671010	Stem & bonnet assy.
4	40950022	Stem o-ring
5	40110118	Seat washer
6	50100010	Bibb screw
7	40130671	Bonnet washer
8	40150076	Seat



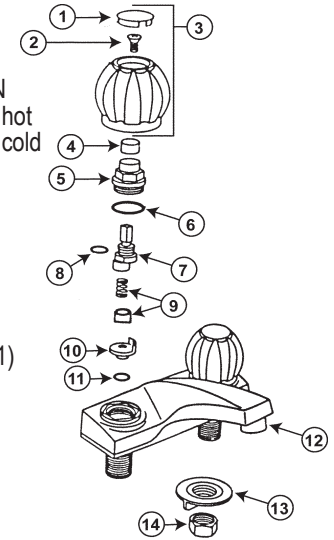
STERLING 04 TOP BRASS SERIES SINGLE CONTROL LAVATORY

ITEM	PART #	DESCRIPTION
1	16891358	Index button – loop
2	16891374	Screw – loop handle
3	16891102	Loop handle assembly
4	16891445	Index button – acrylic
5	16891370	Screw – acrylic handle
6	16891100	Acrylic handle assy.
7	NLA	Adjusting ring
8	16891350	Hub nut
9	16891040	Cartridge
10	16891355	O-Ring
11	16893121	Seal
12	40110016	Aerator
13	40140346	Tailpiece nut
14	16891330	“T” washer
15		Spacer
16	16891389	Mounting nut



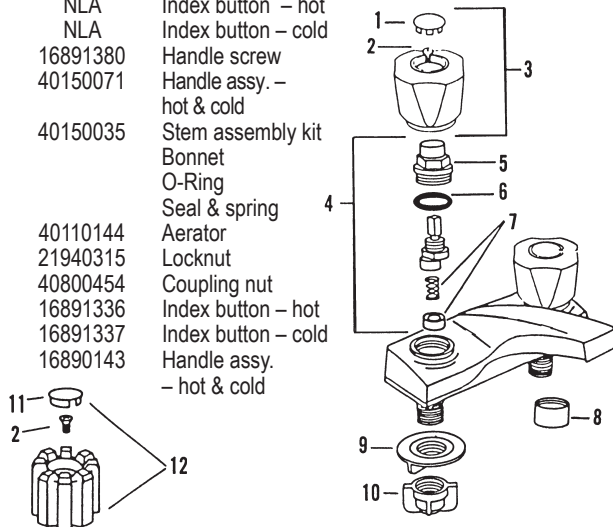
STERLING 060 & 062 SERIES TWO HANDLE LAVATORY

ITEM	PART #	DESCRIPTION
1	16891385	Index button – hot
	16891386	Index button – cold
2	16891380	Handle screw
3	16890180	Handle assy. – hot & cold
4	NLA	Bushing
5	16891300	Bonnet
6		Bonnet o-ring
7	40520079	Valve repair kit (items 6 thru 11)
8		O-Ring
9		Spring & seal
10		Seat
11		O-Ring
12	40110016	Aerator
13	40140346	Tailpiece nut
14	40800238	Coupling nut



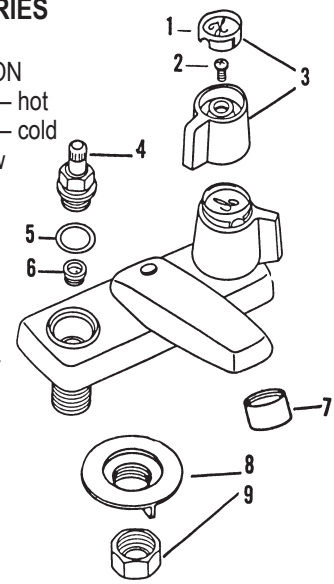
STERLING 064 & 083 SERIES TWO HANDLE LAVATORY

ITEM	PART #	DESCRIPTION
1	NLA	Index button – hot
	NLA	Index button – cold
2	16891380	Handle screw
3	40150071	Handle assy. – hot & cold
4	40150035	Stem assembly kit
5		Bonnet
6		O-Ring
7		Seal & spring
8	40110144	Aerator
9	21940315	Locknut
10	40800454	Coupling nut
11	16891336	Index button – hot
	16891337	Index button – cold
12	16890143	Handle assy. – hot & cold



STERLING 201 THRU 207 SERIES TWO HANDLE LAVATORY

ITEM	PART #	DESCRIPTION
1	16890220	Index button – hot
	16890230	Index button – cold
2	50100007	Handle screw
3	16890240	Handle assy. – hot & cold
4	40150034	Stem & bonnet – LH
	40150110	Stem & bonnet – RH
	40110118	Stem washer
	50100011	Stem screw
	40950022	Stem o-ring
5	40130671	Washer
6	40150076	Seat
7	40110144	Aerator
8	40140346	Locknut
9	40800454	Coupling nut



TOTAL MAINTENANCE SOLUTIONS

HOUSTON
800/392-5066

ORLANDO
800/327-3022

GREENVILLE
800/476-2212

LOOK FOR US ON THE WEB AT: www.TMSSouth.com

FAUCET REPAIR

STERLING 20-410 SERIES TWO HANDLE LAVATORY

ITEM	PART #	DESCRIPTION
1	40121093	Handle screw
2	16890460	Handle assy. - hot
	16890470	Handle assy. - cold
3	43671019	Stem & bonnet - cold
	43671020	Stem & bonnet - hot
4	40950022	Stem o-ring
5	40110118	Stem washer
6	50100011	Bibb screw
7	40150076	Seat
8	40800529	Rosette
9	40800598	Locknut
10	40800454	Coupling nut

STERLING 206-10 SERIES TWO HANDLE LAVATORY

ITEM	PART #	DESCRIPTION
1	40121093	Handle screw
2	16890460	Handle assy. - hot
	16890470	Handle assy. - cold
3	40150034	Stem & bonnet - cold
	40150033	Stem & bonnet - hot
4	40950020	Stem o-ring
5	40110118	Stem washer
6	50100011	Bibb screw
7	40150076	Seat
8	40800529	Rosette
9	40800598	Locknut
10	40800454	Coupling nut

STERLING 21170 (BRASS) POP-UP WASTE

ITEM	PART #	DESCRIPTION
1	40950067	Stopper o-ring
2	16890510	Stopper
3		Tube
4	16890530	Locknut assy.
5		Tee
6	NLA	Insert
7	16891590	Washer
8	16890520	Ball lever rod
9	NLA	Nut
10	16891740	Spring clip
11	16891776	Pop-up rod (large)
12	16891225	Pop-up strap w/ screw

STERLING 21180 (PLASTIC) POP-UP WASTE

ITEM	PART #	DESCRIPTION
1	40120414	Stopper gasket
2	16890510	Stopper
3		Flange
4	NLA	Locknut
5	16891364	Ball lever nut
6	16891366	Ball lever rod
7	16891740	Spring clip
8	16891776	Pop-up rod
9	16891225	Pop-up strap w/screw

STERLING 027 SERIES WALL MOUNT FAUCET

ITEM	PART #	DESCRIPTION
1	16890220	Hot index
2	16890230	Cold index
3	16890240	Handle assy. - hot & cold
4	40150033	Hot stem assy.
	40150034	Cold stem assy.
	40110118	Stem washer
	50100011	Bibb screw
	40950020	Stem o-ring
5	16890390	6" spout assembly
	16890370	12" spout assembly
6	41720390	Coupling washer
7	40130671	Stem gasket
8	40150076	Faucet seat
9		Soap dish post
10	16890640	Flange only
	16890540	1/2" coupling assy.
11		Soap dish
12	16890460	Hot handle assy.
	16890470	Cold handle assy.
13	40950025	Spout O-Ring
14	40110016	Spout Aerator



**TOTAL
MAINTENANCE
SOLUTIONS**

HOUSTON
800/392-5066

ORLANDO
800/327-3022

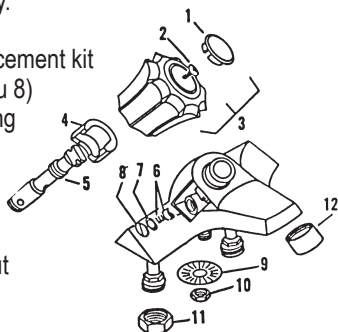
GREENVILLE
800/476-2212

LOOK FOR US ON THE WEB AT: www.TMSSouth.com

FAUCET REPAIR

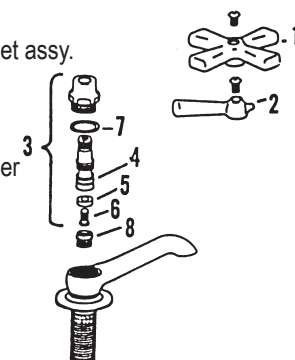
STERLING 040 SERIES SINGLE CONTROL LAVATORY

ITEM	PART #	DESCRIPTION
1	NLA	Insert button
2	16891380	Handle screw
3	16890158	Handle assy.
4	NLA	Slip stop
5	16890110	Valve replacement kit (items 5 thru 8)
6		Seal & spring
7		O-Ring
8		Screw
9	NLA	Rosette
10		Nut
11	40800454	Coupling nut
12	40110144	Aerator



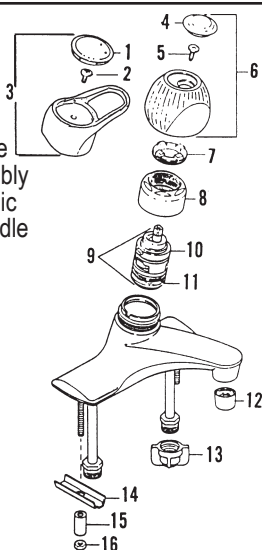
STERLING SINGLE LAVATORY FAUCET

ITEM	PART #	DESCRIPTION
1	16890280	4 arm handle
2	16890550	Lever handle
3	43671010	Stem & bonnet assy.
4	40950022	Stem o-ring
5	40110118	Seat washer
6	50100010	Bibb screw
7	40130671	Bonnet washer
8	40150076	Seat



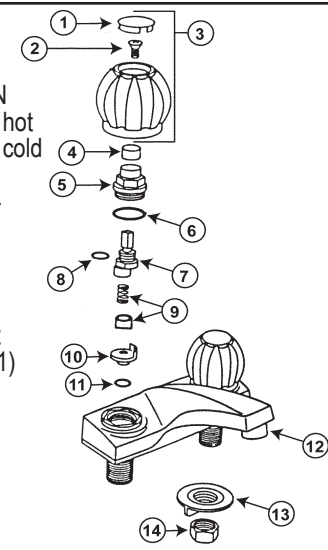
STERLING 04 TOP BRASS SERIES SINGLE CONTROL LAVATORY

ITEM	PART #	DESCRIPTION
1	16891358	Index button – loop
2	16891374	Screw – loop handle
3	16891102	Loop handle assembly
4	16891445	Index button – acrylic
5	16891370	Screw – acrylic handle
6	16891100	Acrylic handle assy.
7	NLA	Adjusting ring
8	16891350	Hub nut
9	16891040	Cartridge
10	16891355	O-Ring
11	16893121	Seal
12	40110016	Aerator
13	40140346	Tailpiece nut
14	16891330	“T” washer
15		Spacer
16	16891389	Mounting nut



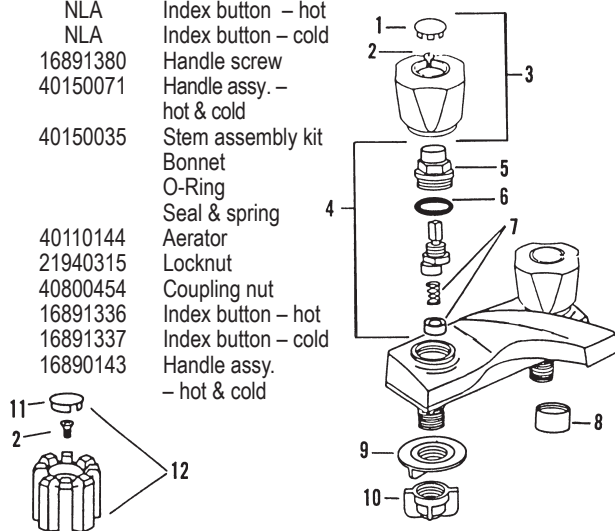
STERLING 060 & 062 SERIES TWO HANDLE LAVATORY

ITEM	PART #	DESCRIPTION
1	16891385	Index button – hot
	16891386	Index button – cold
2	16891380	Handle screw
3	16890180	Handle assy. – hot & cold
4	NLA	Bushing
5	16891300	Bonnet
6		Bonnet o-ring
7	40520079	Valve repair kit (items 6 thru 11)
8		O-Ring
9		Spring & seal
10		Seat
11		O-Ring
12	40110016	Aerator
13	40140346	Tailpiece nut
14	40800238	Coupling nut



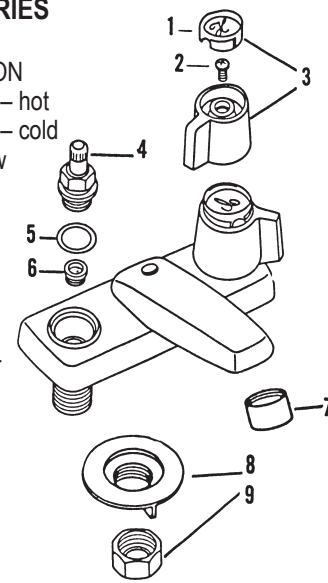
STERLING 064 & 083 SERIES TWO HANDLE LAVATORY

ITEM	PART #	DESCRIPTION
1	NLA	Index button – hot
	NLA	Index button – cold
2	16891380	Handle screw
3	40150071	Handle assy. – hot & cold
4	40150035	Stem assembly kit
5		Bonnet
6		O-Ring
7		Seal & spring
8	40110144	Aerator
9	21940315	Locknut
10	40800454	Coupling nut
11	16891336	Index button – hot
	16891337	Index button – cold
12	16890143	Handle assy. – hot & cold



STERLING 201 THRU 207 SERIES TWO HANDLE LAVATORY

ITEM	PART #	DESCRIPTION
1	16890220	Index button – hot
	16890230	Index button – cold
2	50100007	Handle screw
3	16890240	Handle assy. – hot & cold
4	40150034	Stem & bonnet – LH
	40150110	Stem & bonnet – RH
	40110118	Stem washer
	50100011	Stem screw
	40950022	Stem o-ring
5	40130671	Washer
6	40150076	Seat
7	40110144	Aerator
8	40140346	Locknut
9	40800454	Coupling nut



TOTAL MAINTENANCE SOLUTIONS

HOUSTON
800/392-5066

ORLANDO
800/327-3022

GREENVILLE
800/476-2212

LOOK FOR US ON THE WEB AT: www.TMSSouth.com

FAUCET REPAIR

STERLING 20-410 SERIES TWO HANDLE LAVATORY

ITEM	PART #	DESCRIPTION
1	40121093	Handle screw
2	16890460	Handle assy. - hot
	16890470	Handle assy. - cold
3	43671019	Stem & bonnet - cold
	43671020	Stem & bonnet - hot
4	40950022	Stem o-ring
5	40110118	Stem washer
6	50100011	Bibb screw
7	40150076	Seat
8	40800529	Rosette
9	40800598	Locknut
10	40800454	Coupling nut

STERLING 206-10 SERIES TWO HANDLE LAVATORY

ITEM	PART #	DESCRIPTION
1	40121093	Handle screw
2	16890460	Handle assy. - hot
	16890470	Handle assy. - cold
3	40150034	Stem & bonnet - cold
	40150033	Stem & bonnet - hot
4	40950020	Stem o-ring
5	40110118	Stem washer
6	50100011	Bibb screw
7	40150076	Seat
8	40800529	Rosette
9	40800598	Locknut
10	40800454	Coupling nut

STERLING 21170 (BRASS) POP-UP WASTE

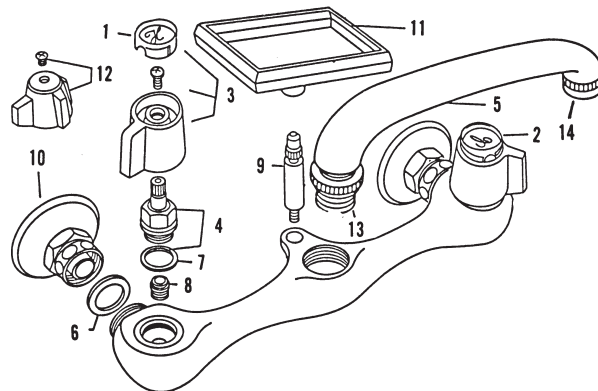
ITEM	PART #	DESCRIPTION
1	40950067	Stopper o-ring
2	16890510	Stopper
3		Tube
4	16890530	Locknut assy.
5	NLA	Tee
6		Insert
7	16891590	Washer
8	16890520	Ball lever rod
9	NLA	Nut
10	16891740	Spring clip
11	16891776	Pop-up rod (large)
12	16891225	Pop-up strap w/ screw

STERLING 027 SERIES WALL MOUNT FAUCET

ITEM	PART #	DESCRIPTION
1	16890220	Hot index
2	16890230	Cold index
3	16890240	Handle assy. - hot & cold
4	40150033	Hot stem assy.
	40150034	Cold stem assy.
	40110118	Stem washer
	50100011	Bibb screw
	40950020	Stem o-ring
5	16890390	6" spout assembly
	16890370	12" spout assembly
6	41720390	Coupling washer
7	40130671	Stem gasket
8	40150076	Faucet seat
9		Soap dish post
10	16890640	Flange only
	16890540	1/2" coupling assy.
		Soap dish
11	16890460	Hot handle assy.
	16890470	Cold handle assy.
13	40950025	Spout O-Ring
14	40110016	Spout Aerator

STERLING 21180 (PLASTIC) POP-UP WASTE

ITEM	PART #	DESCRIPTION
1	40120414	Stopper gasket
2	16890510	Stopper
3		Flange
4	NLA	Locknut
5	16891364	Ball lever nut
6	16891366	Ball lever rod
7	16891740	Spring clip
8	16891776	Pop-up rod
9	16891225	Pop-up strap w/screw



**TOTAL
MAINTENANCE
SOLUTIONS**

HOUSTON
800/392-5066

ORLANDO
800/327-3022

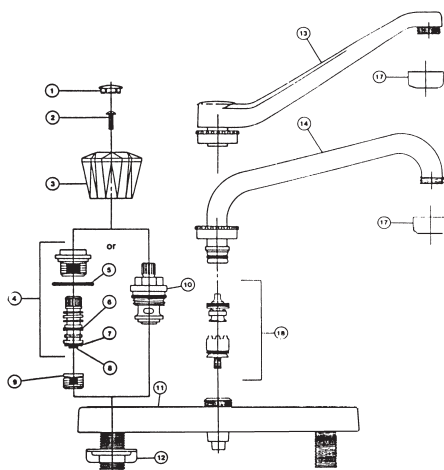
GREENVILLE
800/476-2212

LOOK FOR US ON THE WEB AT: www.TMSSouth.com

FAUCET REPAIR

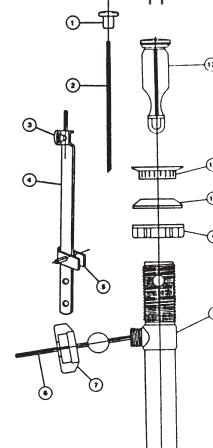
STREAMWAY KITCHEN FAUCET

ITEM	PART #	DESCRIPTION
1	17680252	Hot index
	17680254	Cold index
2	40121093	Handle screw
3	17680240	Cold acrylic handle kit
	17680250	Hot acrylic handle kit
4	43711004	Stem & bonnet assy.
5	40950029	Bonnet o-ring
6	40950022	Stem o-ring
7	40110118	Seat washer
8	50100011	Screw
9	42000760	Seat
10	43681002	Cartridge
11		Body
12	21940315	Locknut
13	17680256	Spout
14	17680258	Spout
15	40110130	Aerator
18	40130603	Upper diverter
	45732026	Lower diverter



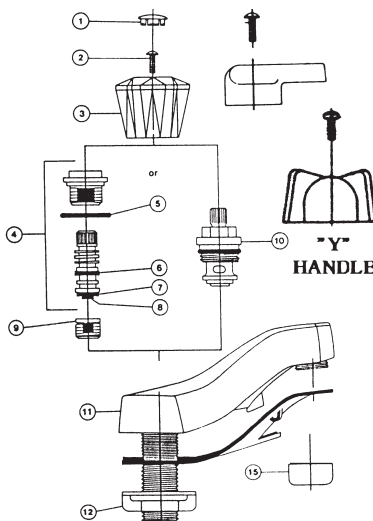
STREAMWAY POP-UP WASTE FOR SINKS W/ OVERFLOW

ITEM	PART #	DESCRIPTION
1	17680270	Lift rod knob
2	17680272	Lift rod
3		Screw, lift rod
4	17680274	Lower lift rod
5	17680276	Ball rod clip
6	17680278	Ball rod assembly
7	17680280	Ball rod nut
8		Body
9		C.O. spud
10	44735020	Mack basin washer
11		Spud
12	17680282	Stopper



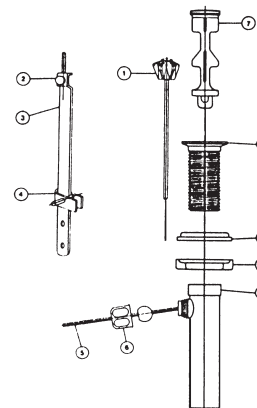
STREAMWAY LAVATORY FAUCET

ITEM	PART #	DESCRIPTION
1	17680252	Hot index
	17680254	Cold index
2	40121093	Handle screw
3	17680240	Cold acrylic handle kit
	17680250	Hot acrylic handle kit
	17680120	Cold chrome blade handle
	17680130	Hot chrome blade handle
	17680180	Cold "Y" chrome handle
	17680190	Hot "Y" chrome handle
4	43711004	Stem & bonnet assembly
5	40950029	Bonnet o-ring
6	40950022	Stem o-ring
7	40110118	Seat washer
8	50100011	Screw
9	42000760	Seat
10	43681002	Cartridge
11		Body
12	21940315	Locknut
13	40110130	Aerator



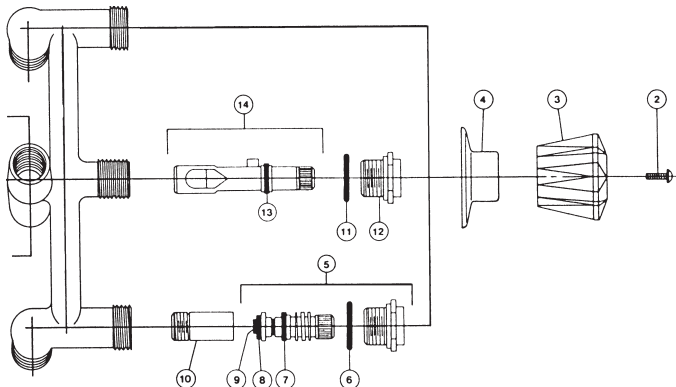
STREAMWAY POP-UP WASTE FOR SINKS W/O OVERFLOW

ITEM	PART #	DESCRIPTION
1	17680260	Lift rod & knob
2	17680262	Screw, lift rod
3	17680264	Lower lift rod
4	17680266	Ball rod clip
5	17680210	Ball rod assembly
6	17680220	Ball rod nut
7	17680230	Stopper
8		C.O. spud
9	44735020	Mack basin washer
10		Locknut
11		Pop-up body



STREAMWAY TUB & SHOWER VALVE

ITEM	PART #	DESCRIPTION	ITEM	PART #	DESCRIPTION
1	17680252	Hot index	7	40950022	Stem o-ring
	17680254	Cold index	8	40110118	Washer
2	40121093	Handle screw	9	50100011	Screw
3	17680240	Cold acrylic handle kit	10	42000740	Seat
	17680250	Hot acrylic handle kit	11	40950109	Bonnet o-ring
4	40150084	Flange	12		Bonnet
5	40170142	Stem & bonnet	13	40950022	Stem o-ring
6	40950109	Bonnet o-ring	14	43685002	Diverter stem



**TOTAL
MAINTENANCE
SOLUTIONS**

HOUSTON
800/392-5066

ORLANDO
800/327-3022

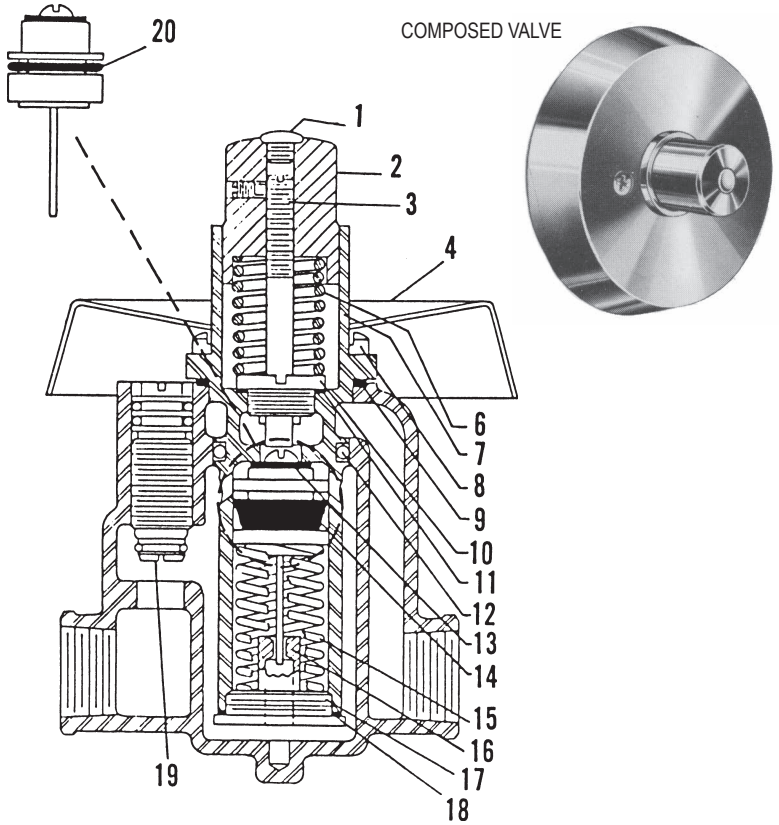
GREENVILLE
800/476-2212

LOOK FOR US ON THE WEB AT: www.TMSSouth.com

FAUCET REPAIR

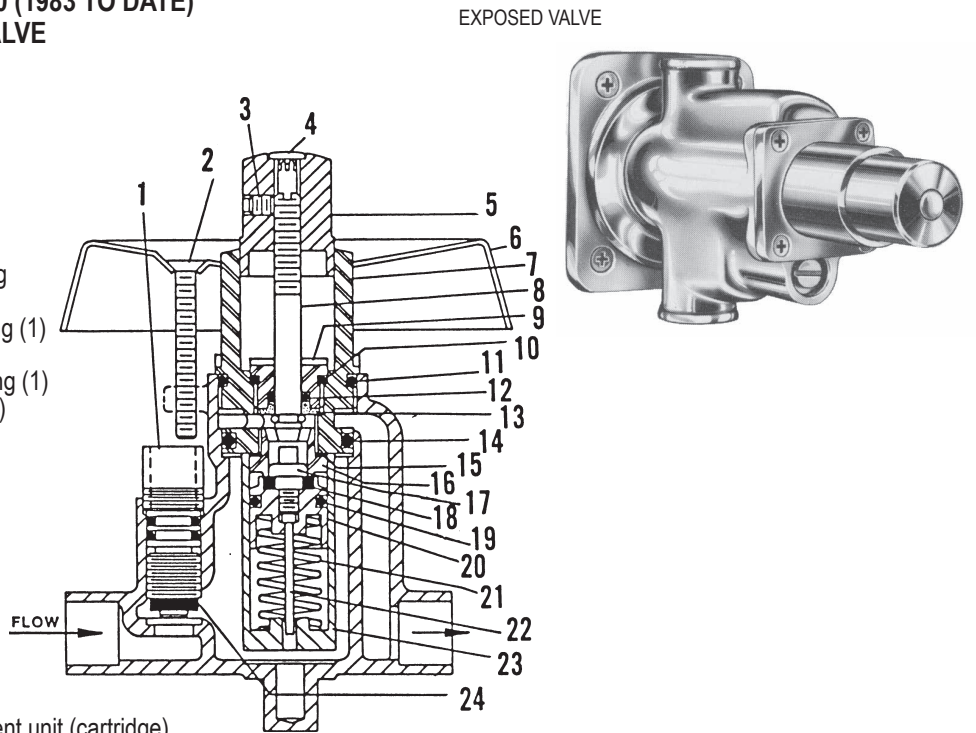
SYMMONS SHOWEROFF "60" (1960 TO 1983) AUTOMATIC SHOWER LIMITING VALVE

ITEM	PART #	DESCRIPTION
1	41001064	Screw
2	41001065	Knob & screw
3	41001085	Push-rod
4	41001238	Escutcheon
5	41001239	Escutcheon screw (not shown)
6	41001069	Knob spring
7	41001240	Cap
8	41001071	Cap screw
9	41001241	Cap gasket
10		Guide nut w/o-ring
11		Guide nut gasket
12		Cap o-ring
13		Shut-off washer & screw
14		Piston unit (1)
15		Spring
16		Control rod sleeve (1)
17		Sleeve retainer (1)
18		Retainer washer
19	41001073	Integral stop unit
20	40950028	Piston o-ring
	NLA	Washer & gasket repair kit Includes items marked (1) plus all necessary washers & gaskets
	40150053	Complete replacement unit (cartridge)



SYMMONS SHOWEROFF MODEL 80 (1983 TO DATE) AUTOMATIC SHOWER LIMITING VALVE

ITEM	PART #	DESCRIPTION
1	41001078	Stop retainer
2	41001079	Escutcheon screws
3	41001080	Knob set screw
4	41001081	Knob plug button
5	41001242	Knob
6	41001083	Escutcheon
7	41001084	Cap
8	41001085	Push rod w/snap ring
9	41001086	Guide nut
10	41001087	Guide nut large o-ring (1)
11	41001088	Cap large o-ring (1)
12	41001089	Guide nut small o-ring (1)
13	41001090	Guide nut washer (1)
14	41001091	Cap small o-ring (1)
15	41001092	Retainer gasket (1)
16	41001093	Retainer (1)
17	41001094	Washer screw (1)
18	41001095	Shut off washer (1)
19	41001096	Piston o-ring (1)
20	41001097	Piston (1)
21	41001098	Piston spring (1)
22	41001099	Control rod (1)
23	41001100	Cylinder (1)
24	41001101	Integral stop unit (1)
	40150027	Complete replacement unit (cartridge)
	40150056	Washer & gasket kit – items marked (1)
	41001103	Adapter plate – not shown



**TOTAL
MAINTENANCE
SOLUTIONS**

HOUSTON
800/392-5066

ORLANDO
800/327-3022

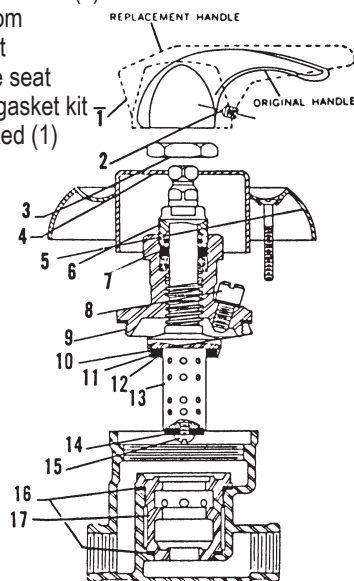
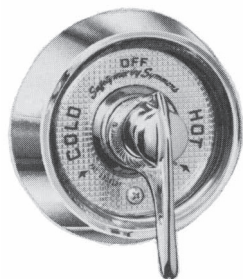
GREENVILLE
800/476-2212

LOOK FOR US ON THE WEB AT: www.TMSSouth.com

FAUCET REPAIR

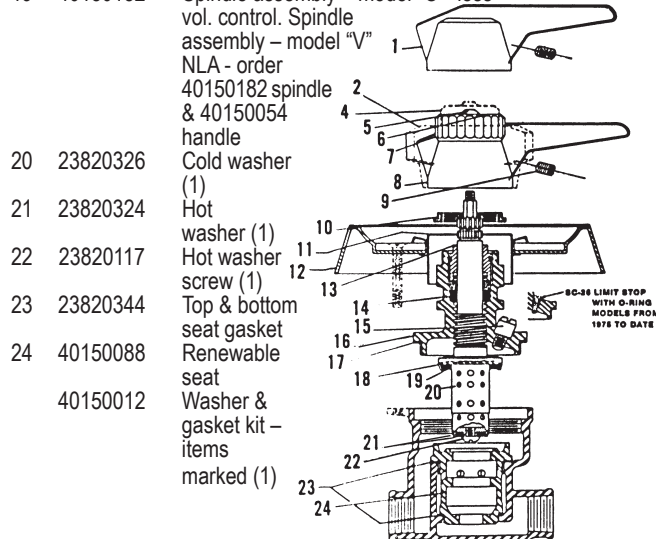
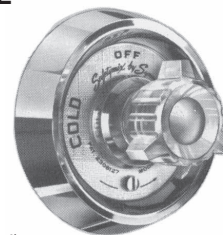
SYMMONS SAFETYMIX MIXING VALVE PRIOR TO 1960 MODEL "C", "M", "MO"

ITEM	PART #	DESCRIPTION
1	40150054	Handle
2	23820121	Handle screw (1)
3	23820124	Dial lock nut
4	23820119	Dome cover & dial
5	23820118	Escutcheon & screw
6	23820112	Packing nut
7	23820330	Packing (1)
8	23820128	Limit stop assembly
9	41001232	Cap
10	23820340	Cap gasket (1)
11	NLA	Cold washer retainer (1)
12	23820326	Cold washer (1)
13	40150182	Flow control spindle
14	23820324	Hot washer (1)
15	23820117	Hot washer screw (1)
16	23820127	Top & bottom seat gasket
17	40150088	Renewable seat
	40150012	Washer & gasket kit items marked (1)



SYMMONS SAFETYMIX MIXING VALVE 1960 TO DATE MODEL "V", "O"

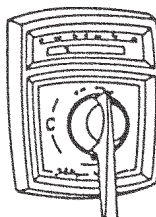
ITEM	PART #	DESCRIPTION
1	40150054	Lever handle
2	NLA	Lucite handle
3	40150094	Lucite handle (not shown)
4		Volume control knob
5		Locking screw w/washer
6		Volume dial
7		Volume control knob
8		Lever handle (volume control)
9	23820121	Handle screw (1)
10	23820328	Dome locknut w/dome cover
11		Dome cover
12	23820329	Escutcheon & screw - model "O"
	23820331	Escutcheon & screw - model "V"
13	23820193	Packing nut
14	23820330	Packing (1)
15	23820342	Limit stop assembly
16	23820180	Cap
17	23820340	Cap gasket (1)
18	23820114	Cold washer retainer (1)
19	40150182	Spindle assembly - model "O"- less



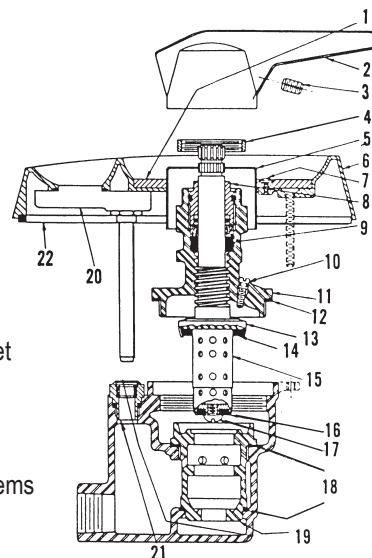
20	23820326	Cold washer (1)
21	23820324	Hot washer (1)
22	23820117	Hot washer screw (1)
23	23820344	Top & bottom seat gasket
24	40150088	Renewable seat
	40150012	Washer & gasket kit - items marked (1)

SYMMONS SAFETYMIX VISU-TEMP 1975 TO DATE MODEL "VT"

ITEM	PART #	DESCRIPTION
1	23820560	Dial
2	40150054	Handle
3	23820121	Handle screw (1)
4	23820328	Dome locknut w/ cover
5		Dome cover
6	23820570	Escutcheon & screws
7	23820580	Dial screw
8	23820193	Packing nut
9	23820330	Packing (1)
10	23820345	Limit stop w/ o-ring
11	23820180	Cap
12	23820340	Cap gasket (1)
13	NLA	Cold washer retainer (1)
14	23820326	Cold washer (1)
15	40150182	Flow control spindle assy.
16	23820324	Hot washer (1)
17	23820117	Washer screw (1)



ITEM	PART #	DESCRIPTION
18	23820344	Top & bottom seat gasket
19	40150088	Renewable seat
20	NLA	Thermometer assembly
21	23820590	Retainer assembly (1)
22	23820595	Escutcheon gasket (1)
	23820600	Washer & gasket kit - items marked (1)



**TOTAL
MAINTENANCE
SOLUTIONS**

HOUSTON
800/392-5066

ORLANDO
800/327-3022

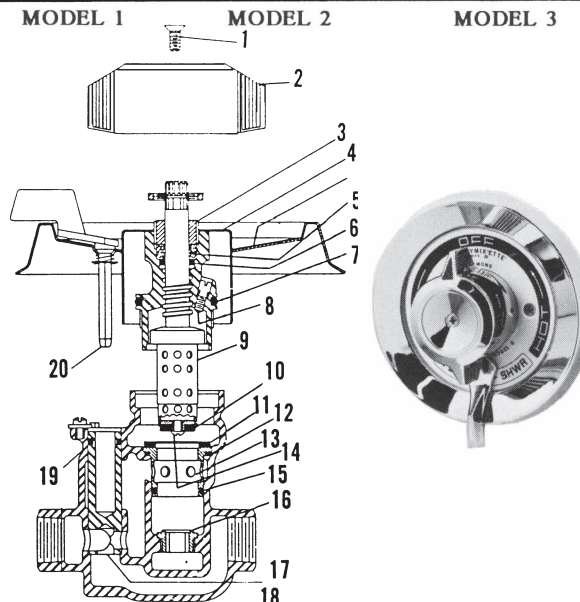
GREENVILLE
800/476-2212

LOOK FOR US ON THE WEB AT: www.TMSSouth.com

FAUCET REPAIR

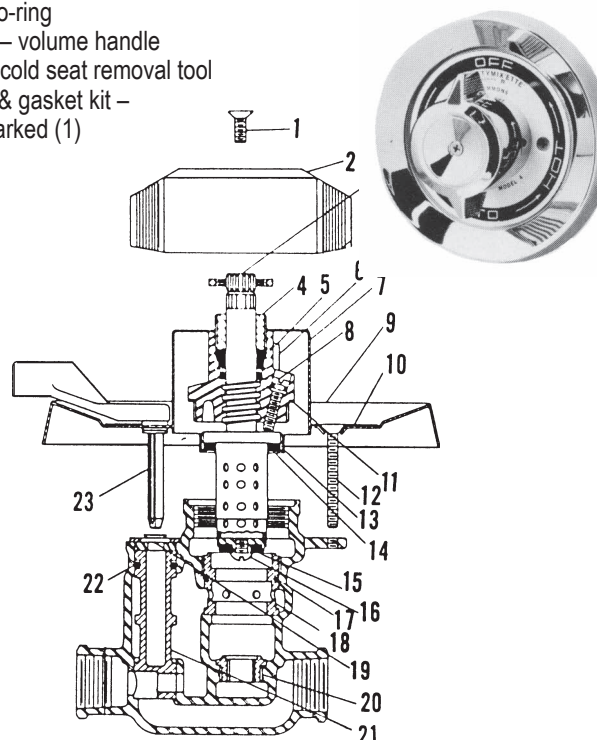
SYMMONS SAFETYMIX'ETTE' MIXING VALVES 1964 TO 1969 MODEL 1, 2, & 3

ITEM	PART #	DESCRIPTION
1	23820605	Handle screw (1)
2	23820610	Handle
3	23820615	Packing nut
4	23820620	Dome cover & locknut
5	23820625	Packing, o-ring & washer (1)
6	23820630	Cap assembly
7	NLA	Cap o-rings (1)
8	23820635	Limit stop w/o-ring
9	23820120	Flow control spindle
10	23820645	Hot washer (1)
11	23820650	Cold washer (1)
12	23820655	Large o-ring
13	23820660	Top renewable seat – includes 16
14	23820665	Hot washer screw (1)
15	23820670	Small o-ring
16	23820660	Hot renewable seat – includes 13
17	23820470	Hot seat removal tool – not shown
18	*	Volume control spindle model 2 (black) Use kit 23820310
19	*	Diverter spindle model 3 (grey or beige) Use kit 23820310
20	*	Spindle o-ring model 2 or 3 . Use kit 23820310
	*	Diverter volume handle w/spring & retainer washer Model 2 or 3. Use kit 23820310
	23820410	Washer & gasket kit – items marked (1)
	23820310	Handle & diverter spindle kit – items marked *



SYMMONS SAFETYMIX'ETTE' SERIES II MIXING VALVES 1969 TO 1980 MODELS 4, 5 & 6

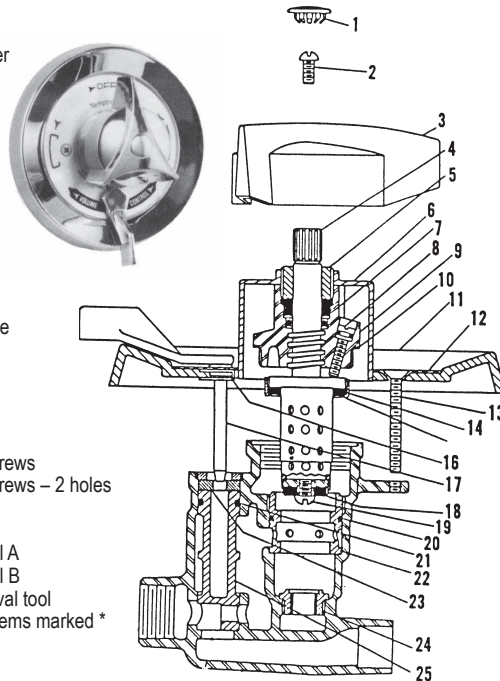
ITEM	PART #	DESCRIPTION	ITEM	PART #	DESCRIPTION
1	23820800	Handle screw (1)	22	23820775	Spindle o-ring
2	23820798	Handle	23	23820796	Diverter – volume handle
3	40150005	Flow control spindle	20401103		Hot and cold seat removal tool
4	23820750	Packing nut	23820810		Washer & gasket kit – items marked (1)
5	23820745	Packing , o-ring & washer (1)			
6	23820740	Cap assembly			
7	23820755	Dome cover & locknut			
8	23820802	Limit stop w/o-ring			
9	23820780	Escutcheon			
10	23820790	Dial – model 4			
	23820792	Dial – model 5			
	23820794	Dial – model 6			
11	23820735	Cap gasket (1)			
12	23820785	Escutcheon screws			
13	NLA	Cold washer retainer (1)			
14	NLA	Cold washer (1)			
15	NLA	Hot washer (1)			
16	NLA	Hot washer screw (1)			
17	NLA	Cold seat o-ring			
18	23820700	Cold seat – includes item 20			
19	23820760	Hold down washer			
20	23820700	Hot seat – includes item 18			
21	23820765	Volume spindle – model 5 (black)			
	23820770	Diverter spindle – model 6 (grey or beige)			



FAUCET REPAIR

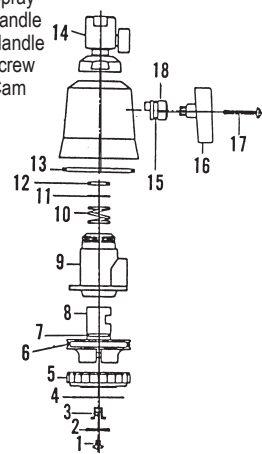
SYMMONS TEMPTRON MIXING VALVES 1968 TO DATE MODEL A, B, & C

ITEM	PART #	DESCRIPTION
1	23820210	Plug button
2	23820905	Handle screw
3	40150104	Temperature control handle
	40150163	Lever handle – not shown
	23820202	Acrylic handle – smoke (not shown)
	23820204	Acrylic handle – clear (not shown)
4	40150005	Flow control spindle
5	23820825	Packing nut
6	40150105	Dome cover & locknut
7	23820820	Packing, o-ring & washer
8	23820910	Limit stop w/o-ring
9	40150068	Cap assembly
10	23820815	Cap gasket *
11	40150135	Escutcheon
12	40151034	Dial – model A
	23820890	Dial – model B
	23820895	Dial – model C
13	23820880	Escutcheon screws
14		Cold washer retainer *
15		Cold washer *
16	23820875	Escutcheon clip
17	23820796	Diverter – volume handle
18		Hot washer *
19	23820915	Hot washer screw *
20	23820935	Cold seat o-ring
21	23820850	Spindle o-ring
22	40150057	Hot & cold seat
23	23820835	Hold down washer w/screws
24	23820840	Hold down washer w/screws – 2 holes
25	23820845	Diverter retainer
	40150057	Hot & cold seat
	23820855	Diverter spindle – model A
	23820860	Diverter spindle – model B
	20401103	Hot and cold seat removal tool
	40150011	Washer & gasket kit – items marked *



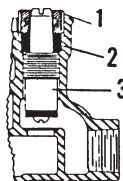
SYMMONS 4-131M SHOWERHEAD

ITEM	PART #	DESCRIPTION
1	23823010	Small spray insert screw
2	23822990	Small spray insert
3	23823000	Small spray insert spacer
4	23822975	Decorative ring
5	23822970	Large spray insert
6	23822960	Large o-ring for cam follower
7	23822950	Small o-ring for cam follower
8	23822940	Cam follower
9	23822920	Inner housing
10	23823040	Ball joint spring
11	23823100	Ball joint spring washer
12	23823050	Ball joint washer
13	23822980	Rubber for large spray insert
14	NLA	Male ball joint assy.
	NLA	Female ball joint assy.
15	23823110	Cam o-ring
16	23823020	Spray handle
17	23823030	Handle screw
18	23822930	Cam



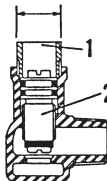
SYMMONS SAFETYMIX, SAFETYMIX'ETTE' & TEMPTRON STOP PARTS SAFETYMIX – PRIOR TO 1956

ITEM	PART #	DESCRIPTION
1	41001178	Packing nut
2	41001179	Packing
3	41001180	Spindle assembly



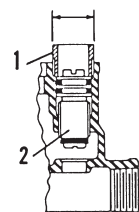
STOP PARTS SAFETYMIX'ETTE' & TEMPTRON 1965 TO 1986

ITEM	PART #	DESCRIPTION
1	41001181	Plaster shield for 5/8"
	41001182	Plaster shield for 11/16"
2	41001183	Spindle assembly – for 5/8"
	41001184	Spindle assembly – for 11/16"



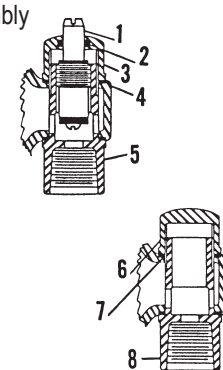
STOP PARTS SAFETYMIX – 1956 TO DATE SAFETY MIX'ETTE' 1964 TO 1965

ITEM	PART #	DESCRIPTION
1	41001185	Plaster shield for 5/8"
	41001186	Plaster shield for 11/16"
2	41001187	Spindle assembly for 5/8"
	41001188	Spindle assembly for 11/16"



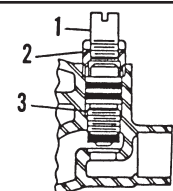
STOP PARTS EXPOSED SAFETYMIX

ITEM	PART #	DESCRIPTION
1	41001189	Spindle assembly
2	41001190	O-Ring
3	41001191	Cap
4	41001192	Gasket
5	41001193	Stop body
6	41001194	Union cap
7	41001192	Gasket
8	41001195	Union body



STOP PARTS TEMPTRON VALVE W/ SWEAT CON.

ITEM	PART #	DESCRIPTION
1	41001196	Escutcheon screw retainer
2	41001197	Plaster shield
3	41001198	Spindle assembly



TOTAL MAINTENANCE SOLUTIONS

HOUSTON
800/392-5066

ORLANDO
800/327-3022

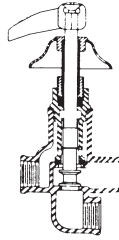
GREENVILLE
800/476-2212

LOOK FOR US ON THE WEB AT: www.TMSSouth.com

FAUCET REPAIR

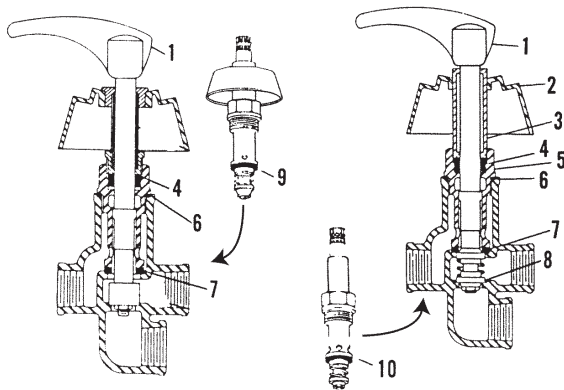
SYMMONS SAFETYMIX DIVERTERS LEVER TYPE 1960 TO 1964

ITEM	PART #	DESCRIPTION
1	NLA	Handle
4	NLA (use #9)	Packing
6	NLA (use #9)	Bonnet gasket
7	23821372	Bonnet washer
9	23821350	Complete replacement unit



SYMMONS SAFETYMIX DIVERTERS "LEVERTROL" 1965 TO 1976

ITEM	PART #	DESCRIPTION
1	40150163	Handle
2		Escutcheon w/ set screw
3		Escutcheon bushing
4	NLA (use #9)	Packing
5	23821355	Bonnet
6	NLA (use #9)	Bonnet gasket
7	NLA (use #10)	Bonnet washer
8	23821360	Spindle assembly
9	23821350	Complete replacement unit w/escutcheon
10	23821385	Complete replacement unit less escutcheon

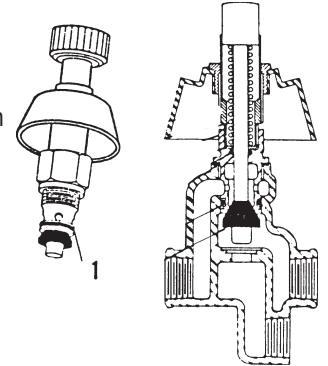


1960 to 1964

1965 to 1976

SYMMONS SAFETYMIX DIVERTERS PUSHBUTTON TYPE 1960 TO 1964

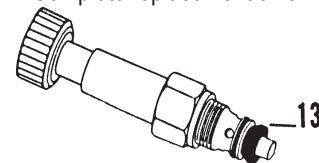
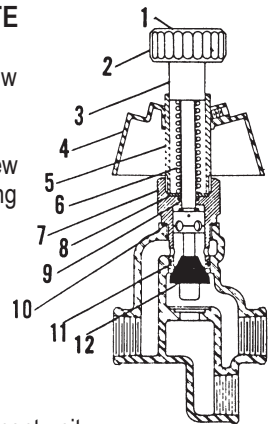
ITEM	PART #	DESCRIPTION
1	23821270	Complete replacement unit w/escutcheon



Note: Individual parts are not available

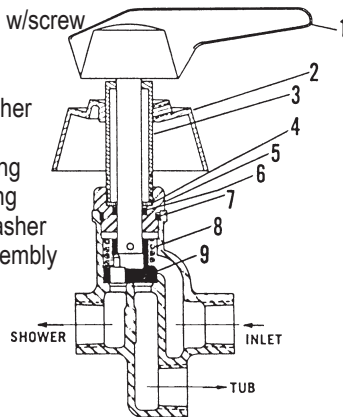
SYMMONS SAFETYMIX "DIVERTROL" DIVERTERS PUSHBUTTON TYPE 1964 TO DATE

ITEM	PART #	DESCRIPTION
1	23821315	Volume dial & screw
2	23821320	Knob
3	23821285	Spacer bushing
4	23821290	Escutcheon & screw
5	23821295	Escutcheon bushing
6	23821310	Spring
7	23821275	Bonnet
8	23820260	O-ring
9	23820250	Spindle o-ring
10	23821305	Bonnet gasket
11	23821300	Bonnet o-ring
12	23821280	Spindle assembly
13	23820270	Complete replacement unit



SYMMONS LEVERTROL DOUBLE OUTLET DIVERTERS 1976 TO DATE

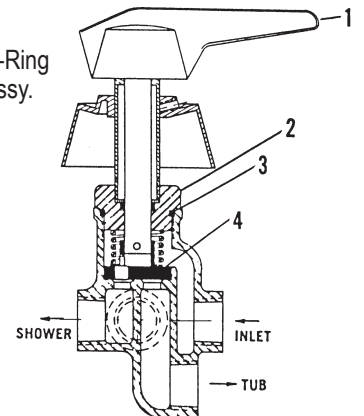
ITEM	PART #	DESCRIPTION
1	40150163	Handle
2	23821440	Escutcheon w/screw
3	23821415	Escutcheon bushing
4	23821430	Bonnet washer
5	23821405	Bonnet
6	23821420	Spindle o-ring
7	23821425	Bonnet o-ring
8	23821435	Spring & washer
9	23821410	Spindle assembly



Also used on Temptrol

SYMMONS LEVERTROL TRIPLE OUTLET DIVERTERS 1976 TO DATE

ITEM	PART #	DESCRIPTION
1	40150163	Handle
2	23821450	Bonnet
3	23821455	Bonnet O-Ring
4	23820370	Spindle assy.
5	40950055	O-ring



**TOTAL
MAINTENANCE
SOLUTIONS**

HOUSTON
800/392-5066

ORLANDO
800/327-3022

GREENVILLE
800/476-2212

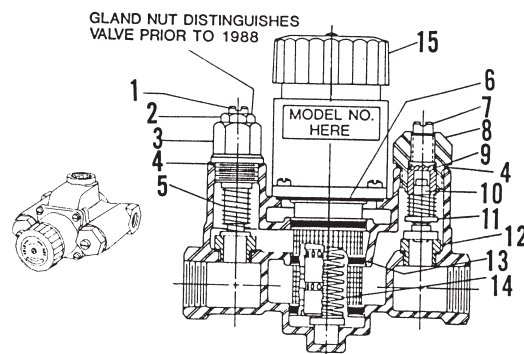
LOOK FOR US ON THE WEB AT: www.TMSSouth.com

FAUCET REPAIR

SYMMONS TEMPCONTROL THERMOSTATIC WATER CONTROLLER

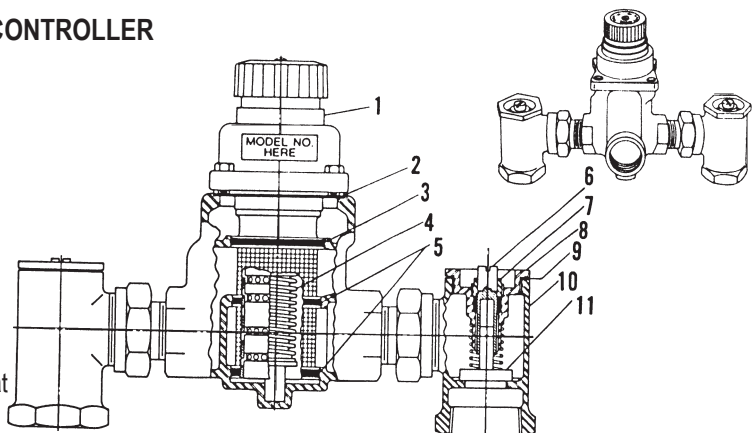
ITEM	5-200 PART #	5-400 PART #	5-500 PART #	5-700 PART #	DESCRIPTION
1	N/A	N/A	N/A	N/A	Stop spindle *
2	41001104	41001105	41001106	41001107	Gland nut and packing
3	N/A	N/A	N/A	N/A	Cap *
4	41001108	41001109	41001110	41001111	Cap gasket
5	41001112	41001113	41001114	41001115	Check spindle and spring
6	41001116	41001117	41001118	41001119	Casing gasket
7	41001120	41001121	41001122	41001123	Stop spindle
8	41001124	41001125	41001126	41001127	Cap
9	N/A	N/A	N/A	N/A	Stop spindle o-ring
10	41001128	41001129	41001130	41001131	Check spindle and spring
11	41001132	41001133	41001134	41001135	Check spring retainer
12	41001243	41001137	41001138	41001139	Check seat
13	41001244	41001141	41001142	41001143	Sleeve o-rings (3 required)
14	41001144	41001145	41001146	41001147	Spring with spring saddle
15	40150029	40150030	40150031	40150032	Cartridge unit
*	41001152	41001153	41001154	41001155	Complete spindle assembly

* Repair kit contains items 7, 8, 9, 10 & 11.



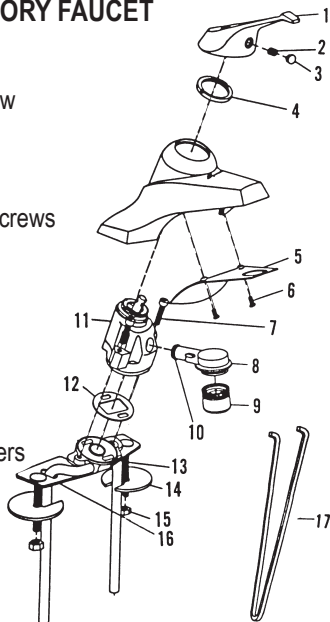
SYMMONS TEMPCONTROL THERMOSTATIC WATER CONTROLLER

ITEM	5-900 PART #	5-1000 PART #	DESCRIPTION
1	41001156	41001157	Cartridge unit
2	41001158	41001159	Casing gasket
3	41001160	41001161	Sleeve large o-ring
4	41001162	41001163	Double spring w/spring saddle
5	41001164	41001165	Sleeve small o-rings
6	41001166	41001167	Stop spindle
7	41001168	41001169	Gland nut & packing
8	41001170	41001171	Cap
9	41001172	41001173	Cap gasket
10	41001174	41001175	Check stop body w/integral seat
11	41001176	41001177	Check spindle & spring



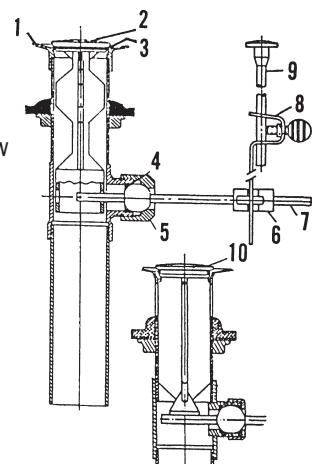
SYMMONS TEMPTRON LAVATORY FAUCET

ITEM	PART #	DESCRIPTION
1	23821460	Handle
2	23821480	Handle set screw
3	23821520	Plug button
4	23821465	Lock ring
5	23821470	Housing plate
6	23821495	Housing plate screws
7	23821525	Body screws
8		Spout
9	40110016	Aerator
10	23821485	Spout o-ring
11	NLA	Body unit
12	23821490	Body gasket
13		Mounting bolts
14		Mounting washers
15		Mounting nuts
16		Mounting gasket
17	23821530	Body unit removal tool



SYMMONS MODEL 2 DRAIN ASSEMBLY

ITEM	PART #	DESCRIPTION
1	23823280	Flange
2	23823290	Stopper
3	23823300	Stopper o-ring
4	23823320	Ball washer
5	23823330	Nut
6	23823260	Clip
7	23823340	Pop-up rod
8	12890540	Extension strap w/screw
9	23823240	Lift rod
10	23823350	Stopper for model 1



**TOTAL
MAINTENANCE
SOLUTIONS**

HOUSTON
800/392-5066

ORLANDO
800/327-3022

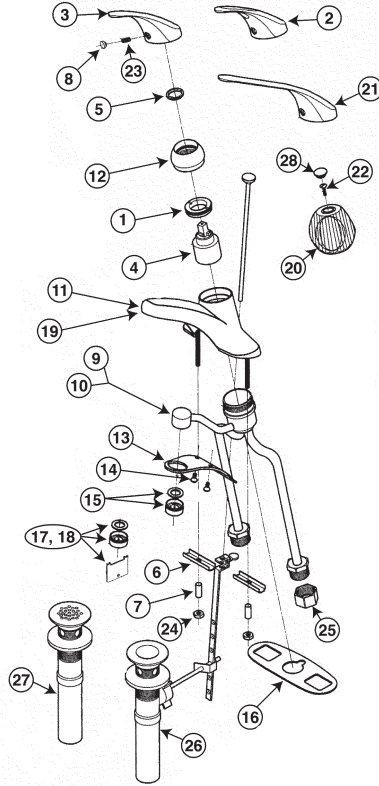
GREENVILLE
800/476-2212

LOOK FOR US ON THE WEB AT: www.TMSSouth.com

FAUCET REPAIR

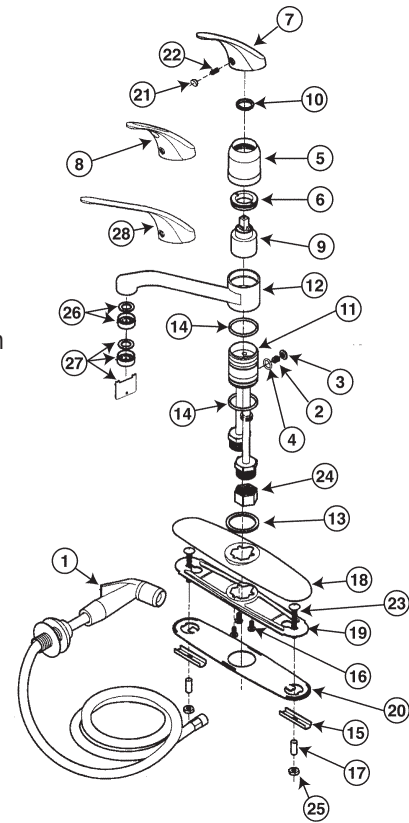
SYMMONS SYMMETRIX® S-20 SERIES SINGLE HANDLE LAVATORY FAUCET FROM 1997 TO DATE

ITEM	PART #	DESCRIPTION
1		Compression Ring
2	40150400	Solid handle
3		Loop handle
4	40170186	Cartridge
5		Limit stop ring
6		Anchor bar (2)
7		Mounting spacer (2)
8		Plug button
9		Cartridge housing assembly
10		Cartridge housing assembly
11		Shell
12		Valve cap
13		Undercover plate
14		Screw (2)
15	40110144	Aerator
16		Mounting gasket
17	40150397	Aerator (vandal resistant 0.5 gpm)
18	40110166	Aerator (vandal resistant)
19		Shell
20		Acrylic handle
21	40150401	6" lever handle with red/blue indicators
22		Screw
23	23821480	Set screw
24	23821505	Mounting nut (2)
25		Nut (2)
26		Pop-up drain assembly (complete)
27	40800167	Grid drain assembly (complete)
28	23820210	Plug button



SYMMONS SYMMETRIX® S-23 SERIES SINGLE HANDLE KITCHEN FAUCET FROM 1997 TO DATE

ITEM	PART #	DESCRIPTION	ITEM	PART #	DESCRIPTION
1	40110195	Hand spray	21		Plug button
2	40150399	Diverter	22	23821480	Set screw
3		Retaining ring	23	23821500	Carriage bolt (2)
4	64997046	O-ring	24	23821505	Mounting nut (2)
5		Valve cap	25		Nut (2)
6		Compression ring	26	40110016	Aerator
7	40150400	Solid handle	27	40110166	Aerator
8		Loop handle	28	40150401	6" lever handle with red/blue indicators
9	40170186	Cartridge			Cartridge wrench
10		Limit stop ring			
11		Supply body assembly with diverter			
		Supply body assembly without diverter			
12		Spout assembly			
13		Spacer			
14		O-ring (2)			
15		Anchor bar (2)			
16		Screw (3)			
17		Mounting spacer (2)			
18		Escutcheon			
		Escutcheon with hand spray hole			
19		Base plate			
20		Gasket			



**TOTAL
MAINTENANCE
SOLUTIONS**

HOUSTON
800/392-5066

ORLANDO
800/327-3022

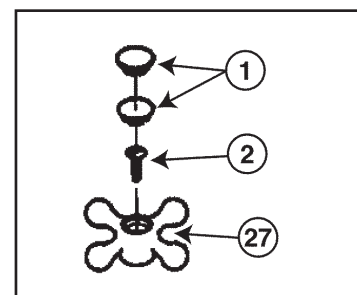
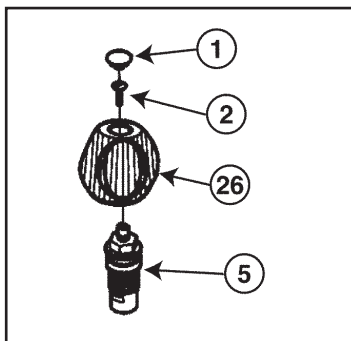
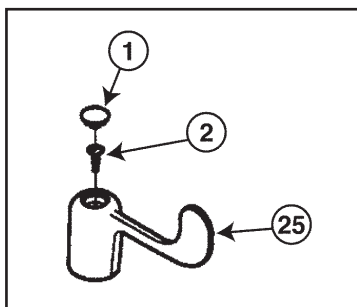
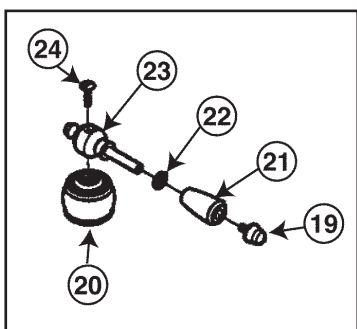
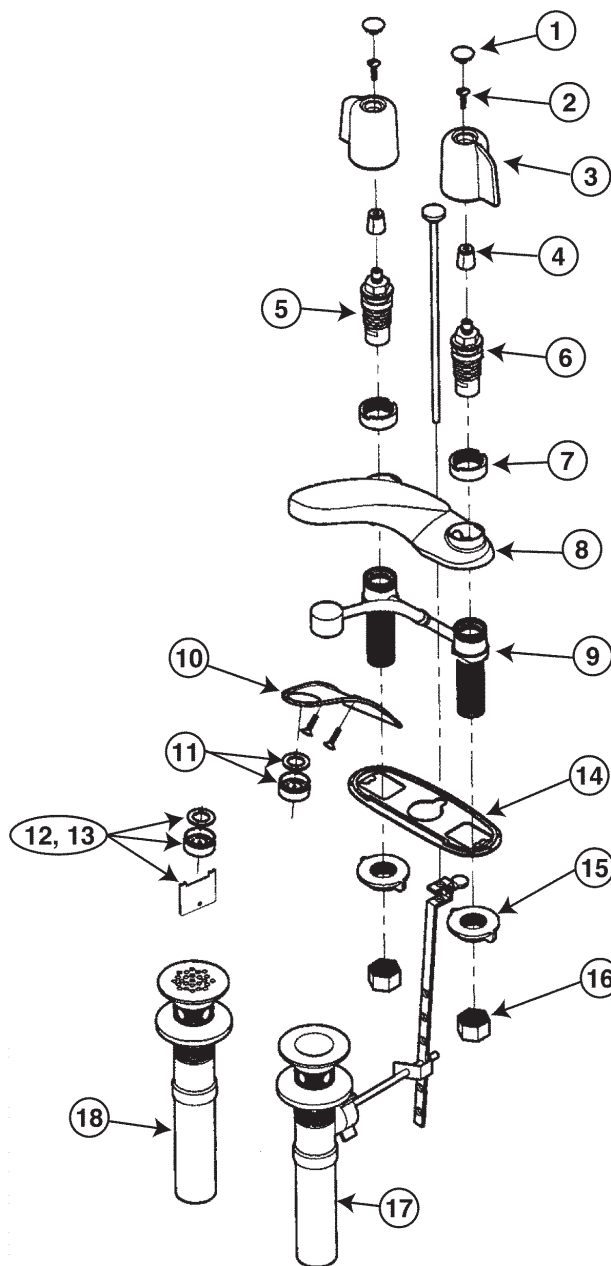
GREENVILLE
800/476-2212

LOOK FOR US ON THE WEB AT: www.TMSSouth.com

FAUCET REPAIR

SYMMONS SYMMETRIX® S-240 SERIES TWO HANDLE LAVATORY FAUCET FROM 2000 TO DATE

ITEM	PART #	DESCRIPTION
1	23820210	Plug button (plain)
	40150402	Plug button (blue)
	40150403	Plug button (red)
2		Phillips pan head screw
3	40150394	Lever handle (2)
4	40150404	Bushing
5	40150395	Valve cartridge (hot)
6	40150396	Valve cartridge (cold)
7		Lock ring
8		Shell
9		Supply body assembly
10		Undercover plate
11		Aerator
12	45972032	Aerator (vandal resistant 0.5 gpm)
13	40110166	Aerator (vandal resistant)
14		Gasket
15		Flange nut (2)
16		Nut (2)
17		Pop-up drain assembly
18	40800167	Grid drain assembly
19		Finial, handle
20		Lever handle collar (2)
21		White lever insert (2)
		Chrome lever insert (2)
		Clear lever insert (2)
22		Temperature indicator (red)
		Temperature indicator (blue)
23		Handle lever
24		Oval philips head screw (2)
25		ADA handle (2)
26		Acrylic handle (2)
27		Cross handle (2)



**TOTAL
MAINTENANCE
SOLUTIONS**

HOUSTON
800/392-5066

ORLANDO
800/327-3022

GREENVILLE
800/476-2212

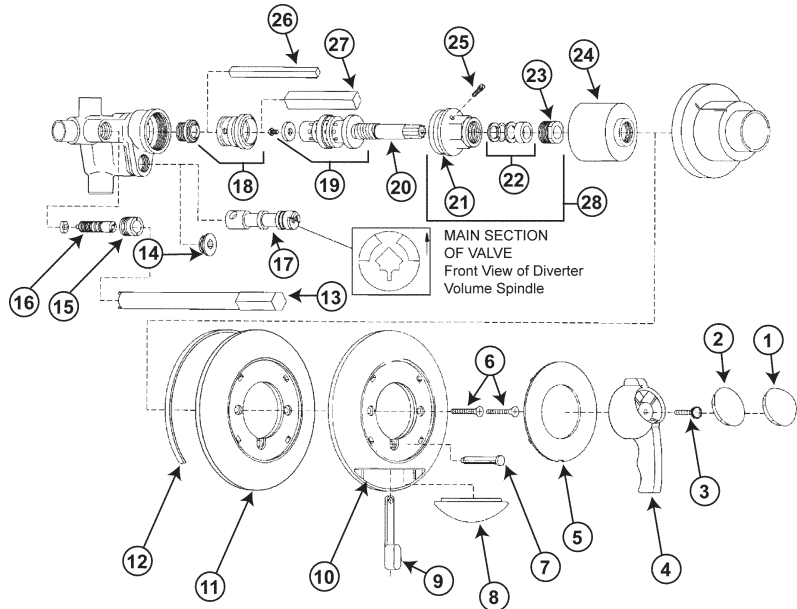
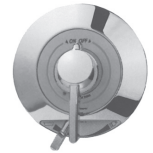
LOOK FOR US ON THE WEB AT: www.TMSSouth.com

FAUCET REPAIR

SYMMONS TEMPTROL 2000

ITEM	PART #	DESCRIPTION
1	NLA	Plug button – flat
2	23821580	Plug button – round
3	23820905	Handle screw w/lock washer
4	23821574	Temperature control handle
5	23821570	Dial – black
	23821572	Dial – tan
6	23821568	Escutcheon screws (2)
7	23821558	Diverter stem
8	23821560	Shower dial – black
	23821562	Shower dial – tan
	23821564	Tub/shower dial – black
	23821566	Tub/shower dial – tan
9	23821556	Diverter and/or volume handle
10	23821554	Escutcheon – Model A & B
11	23821552	Escutcheon – Model C
12	23821550	Escutcheon gasket
13		Stop plaster shield removal tool
14	23820845	Diverter retainer
15	23821584	Stop plaster shield
16	23821582	Stop spindle assy.
17	23820855	Diverter spindle – beige or grey
	23820860	Diverter spindle – black
18	40150057	Hot & cold seat assy.
19	40150011	Hot & cold washer set
20	40150005	Spindle assembly
21	23820815	Cap gasket
22	23820820	Packing, o-ring & washer
23	23820825	Packing nut

ITEM	PART #	DESCRIPTION
24	40150105	Dome cover & locknut
25	23820910	Limit stop w/o-ring
26	23820490	Hot seat removal tool
27	20401103	Cold seat removal tool
28	40150062	Cap assembly

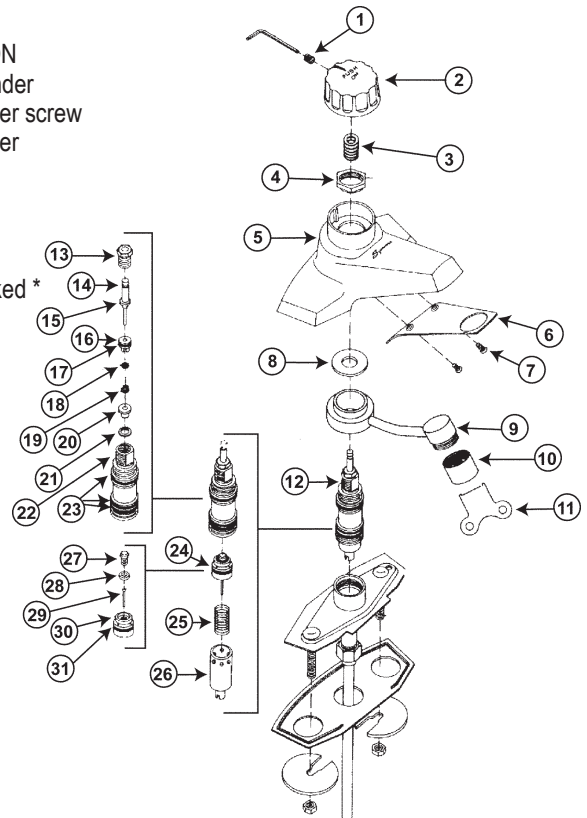


SCOT S-61 METERING FAUCET

ITEM	PART #	DESCRIPTION
1		Handle set screw 3/32
2	23821592	Handle
3		Cycle time washers
4		Shell locking nut
5		Shell
6		Undercover plate
7		Undercover plate screws
8		Valve housing gasket
9		Spout assembly
10	40110135	VP Aerator
11		Aerator wrench
12	40150015	Control cartridge
		Control cartridge for quick close
13	*	Packing nut
14	*	Cycle spindle assy.
15	*	Cycle spindle ring
16	*	Spindle packing spacer
17	*	Spacer o-ring
18	*	Spindle guide huva cup
19	*	Huva cup retainer
20	*	Metering piston
21	*	Valve seat gasket
22		Supply housing cap
23	*	Supply housing o-rings (3)
24		Piston assembly
25		Piston spring



ITEM	PART #	DESCRIPTION
26		Metering cylinder
27	*	Shut off washer screw
28	*	Shut off washer
29	*	Metering pin
30		Valve seat
31	*	Piston o-ring
*	23821590	Repair kit – all items marked *



**TOTAL
MAINTENANCE
SOLUTIONS**

HOUSTON
800/392-5066

ORLANDO
800/327-3022

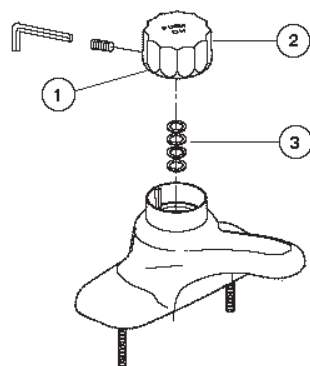
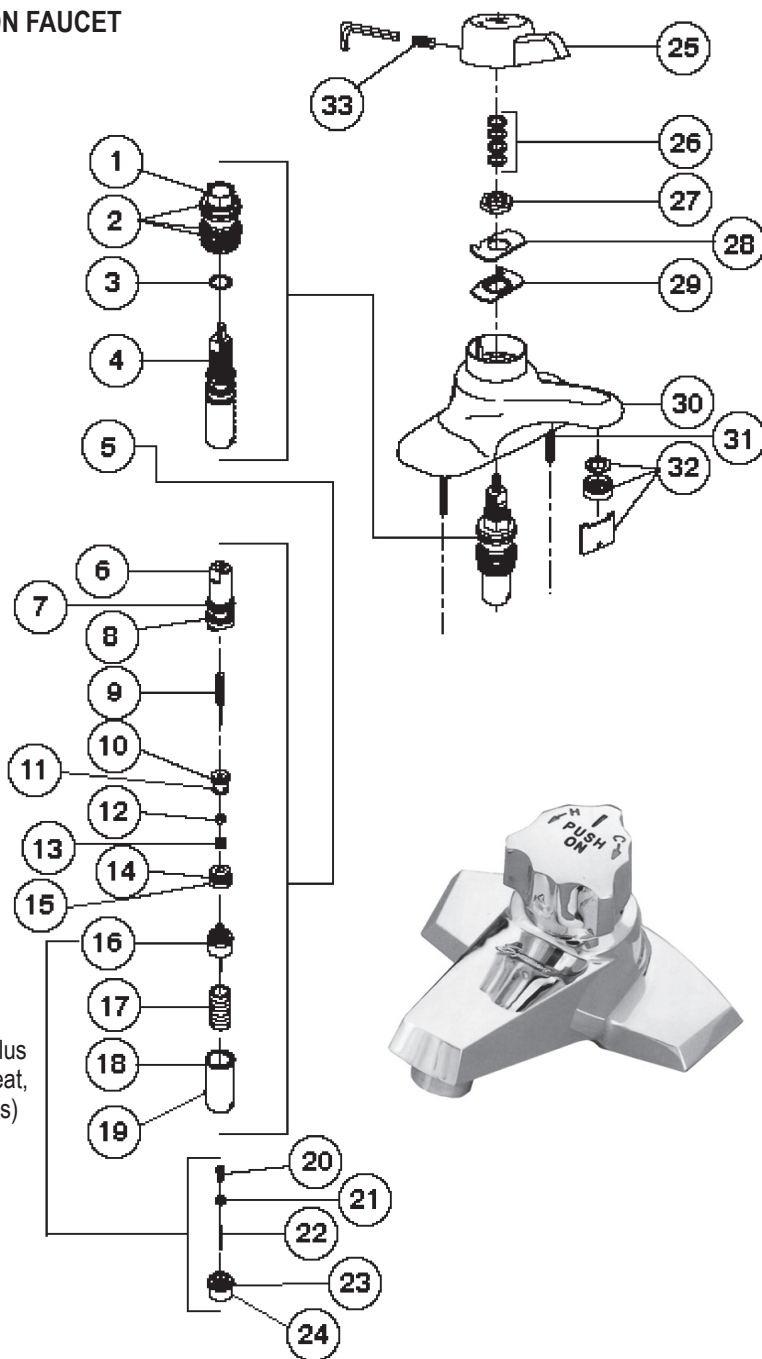
GREENVILLE
800/476-2212

LOOK FOR US ON THE WEB AT: www.TMSSouth.com

FAUCET REPAIR

SCOT S-60 METERING/TEMPERATURE SELECTION FAUCET

ITEM	PART #	DESCRIPTION
1		Upper housing
2	*	Upper housing o-rings
3	*	Thrust washer
4		Control cartridge
5		Control cartridge for quick closing
6	40150015	Control spindle
7	*	Control spindle small o-ring
8	*	Control spindle large o-ring
9		Cycle spindle assembly
10	*	Spindle guide large o-ring
11	*	Cycle spindle guide
12	*	Spindle guide huva cup
13	*	Huva cup retainer
14	*	Shut-off seat o-ring
15		Shut-off seat
16		Piston assembly
17	*	Piston spring
18	*	Retaining ring
19		Piston cylinder
20	*	Piston washer screw
21	*	Shut-off washer
22	*	Control rod
23	*	Piston o-ring
24		Piston
25		Handle
26		Cycle time washers
27		Limit stop retainer nut
28		Limit stop washer (adjustable)
29		Limist stop washer (fixed)
30		Shell
31		Anchor stud
32		Aerator (vandal resistant 0.5 gpm)
33	40110135	Aerator (vandal resistant) Repair kit (includes items marked *, plus the following items not shown: inlet seat, Inlet seat springs and inlet seat o-rings)



S-61 SERIES

ITEM	PART #	DESCRIPTION
1		Handle set screw
2		Handle
3		Cycle time washers



HOUSTON 800/392-5066 **ORLANDO** 800/327-3022 **GREENVILLE** 800/476-2212
 LOOK FOR US ON THE WEB AT: www.TMSSouth.com

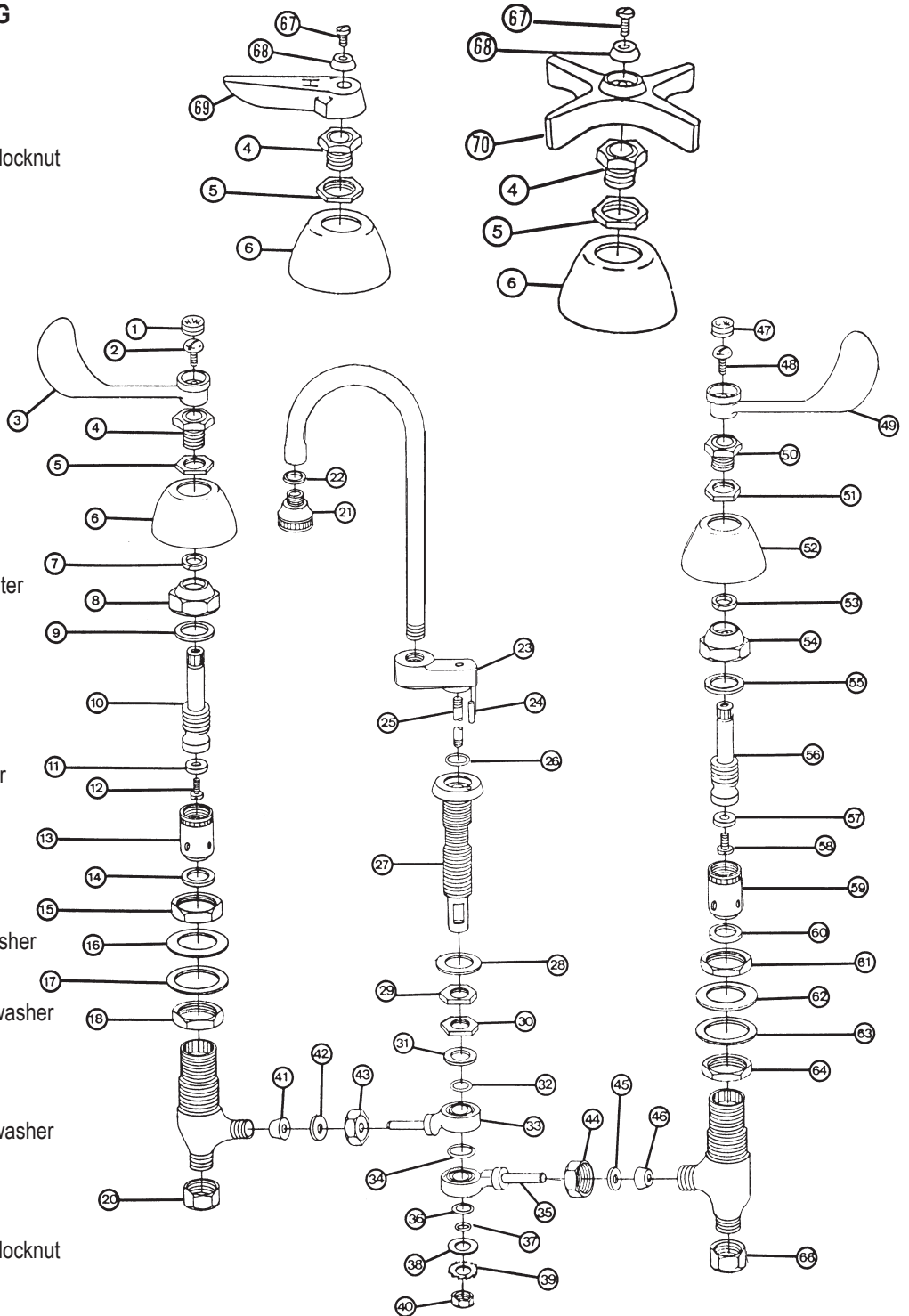
FAUCET REPAIR

T & S BRASS LAVATORY FITTING

ITEM	PART #	DESCRIPTION
1	40160159	Hot index
2	18860925	Handle screw
3	40160087	4" wrist handle
	18860420	6" wrist handle
4-5	18860725	Packing nut and locknut
6	18861257	Escutcheon
7	40160049	Packing
8	40160048	Bonnet
9	40160047	Bonnet gasket
10	40160007	Spindle -RH
11	40120020	Seat washer
12	50100021	Seat screw
13	40160016	Removable insert - RH
14	40160046	Seat gasket
15		Top locknut
16	18862290	Washer
17		Washer
18		Bottom locknut
20	18860958	Coupling nut
21	18862209	Rosespray
22	18861043	Washer
23		Gooseneck adapter
24		Roll pin
25		Nipple
26		O-Ring
27		Center body
28		Washer
29		Locknut
30		Locknut
31		Top brass washer
32	18861060	O-Ring
33		Swivel yoke
34	40950036	O-Ring
35		Nipple
36	18861060	O-Ring
37	18861070	O-Ring
38		Bottom brass washer
39		Star washer
40		Nut
41	18861091	Beveled rubber washer
42		Brass washer
43	18860958	Coupling nut
44	18860958	Coupling nut
45		Brass washer
46	18861091	Beveled rubber washer
47	40160158	Cold index
48	18860925	Handle screw
49	40160087	4" wrist handle
	18860420	6" wrist handle
50-51	18860725	Packing nut and locknut
52	18861257	Escutcheon
53	40160049	Packing
54	40160048	Bonnet
55	40160047	Bonnet gasket
56	40160008	Spindle LH
57	40120020	Seat washer
58	50100021	Seat screw
59	40160017	Removable insert LH
60	40160046	Seat gasket
61		Top locknut

ITEM	PART #	DESCRIPTION
62		Washer
63		Washer
64		Bottom locknut
66	18860958	Coupling nut
67	40120619	Handle screw

ITEM	PART #	DESCRIPTION
68	40160220	Hot index
	40160221	Cold index
69	40160011	Hot handle
	40160096	Cold handle
	40160020	Lever handles (pr)
70	40160138	Four arm handle



**TOTAL
MAINTENANCE
SOLUTIONS**

HOUSTON
800/392-5066

ORLANDO
800/327-3022

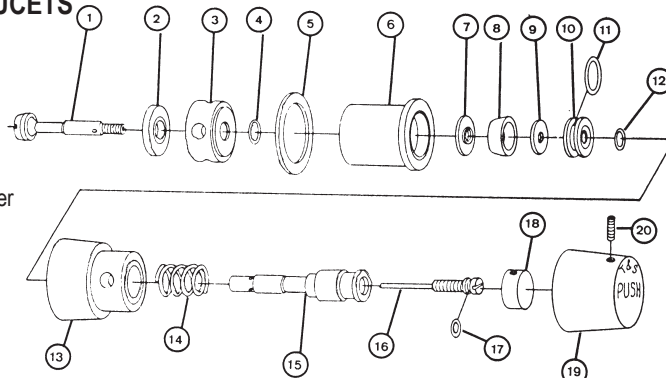
GREENVILLE
800/476-2212

LOOK FOR US ON THE WEB AT: www.TMSSouth.com

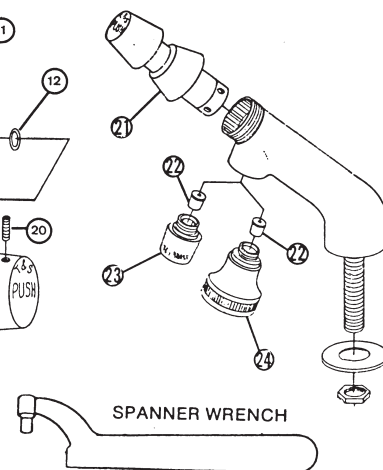
FAUCET REPAIR

T & S BRASS SLOW CLOSING FAUCETS

ITEM	PART #	DESCRIPTION
1		Stem
2	18861090	Seat washer
3		Water duct
4	40950018	O-Ring
5	18861021	Gasket
6		Cylinder
7		Piston back-up washer
8	NLA	Piston cup
9	NLA	Piston washer
10		O-Ring holder
11	40950024	O-Ring
12	40950020	O-Ring
13		Bonnet
14	18860894	Spring
15		Plunger
16		Adjusting screw
17	40950095	O-Ring
18		Cap insulator
19		Cap-specify H, C or blank
20	18860938	S/S set screw



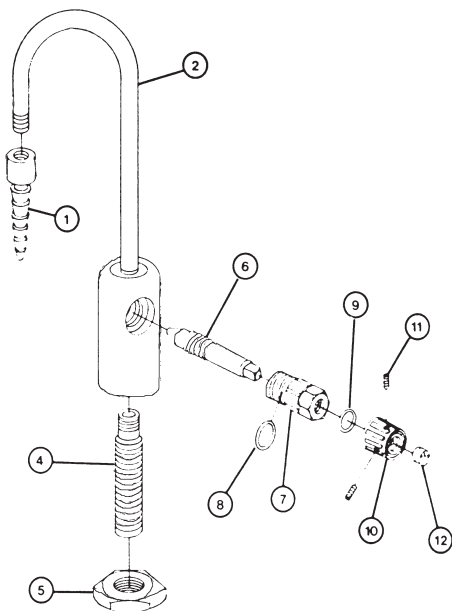
ITEM	PART #	DESCRIPTION
21	18862874	Slow self-closing cartridge
22		Flow control tower
23	18869902	Aerator
24	18862209	Rosespray
25	18861795	Spanner wrench



* Individual parts not available

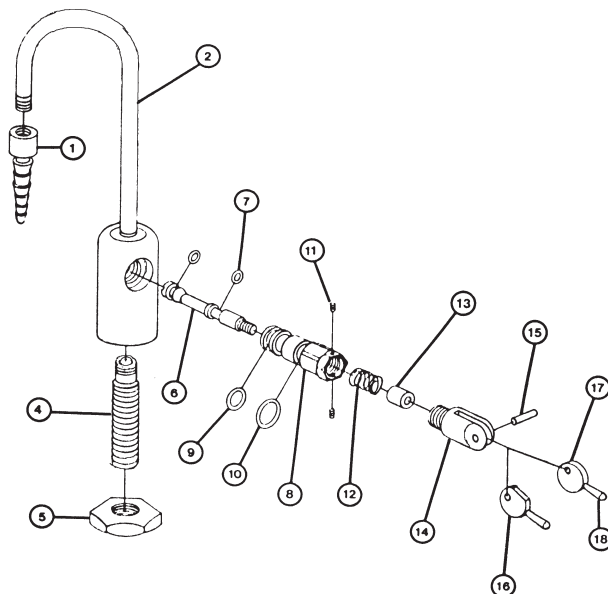
T & S BRASS PVC LABORATORY FAUCET BL-9505-1, 9505-2, 9506-1, 9510, 9530

ITEM	PART #	DESCRIPTION
1		Serrated tip
2		Gooseneck
4		Shank
5		Shank nut
6	18860493	Spindle
7	18860510	Bonnet
8	18861060	O-Ring
9	40950023	O-Ring
10	18861492	Knob
11	18860938	S/S set screw
12	18861206	Index button



T & S BRASS PVC LABORATORY FAUCET BL-9515-1, 2, 3, 4, 9520-1, 2, 3, 4

ITEM	PART #	DESCRIPTION
1		Serrated tip
2		Gooseneck
4		Shank
5		Shank nut
6	18860491	Stem
7	40950018	O-Ring
8	18860511	Bonnet
9	18861079	O-Ring
10	18861080	O-Ring
11	18860939	S/S set screw
12	18860904	Spring
13	18860492	Push button
14	18860494	Cam guide
15	18860489	Pin
16	18860496	Cam-manual & self-closing
17		Cam-manual
18		Handle



**TOTAL
MAINTENANCE
SOLUTIONS**

HOUSTON
800/392-5066

ORLANDO
800/327-3022

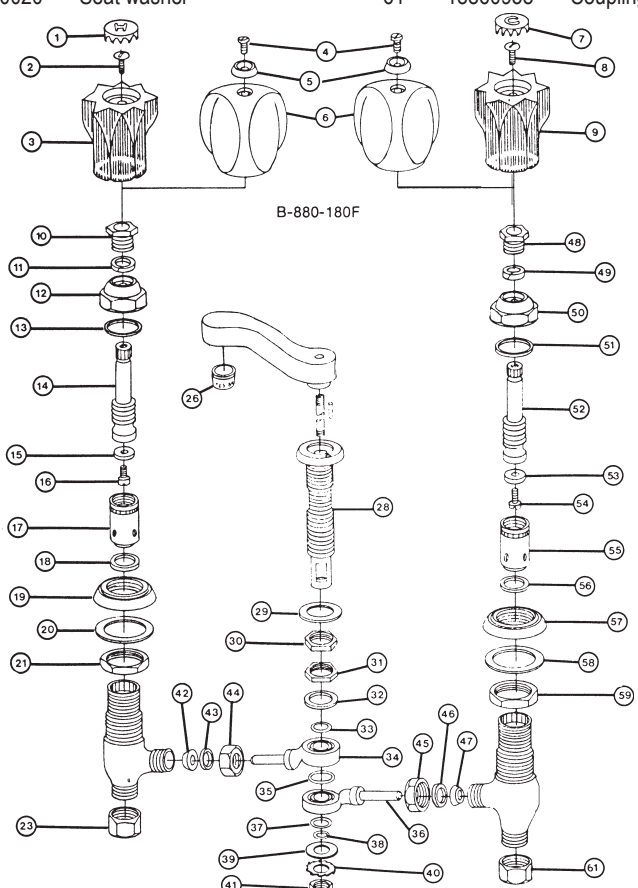
GREENVILLE
800/476-2212

LOOK FOR US ON THE WEB AT: www.TMSSouth.com

FAUCET REPAIR

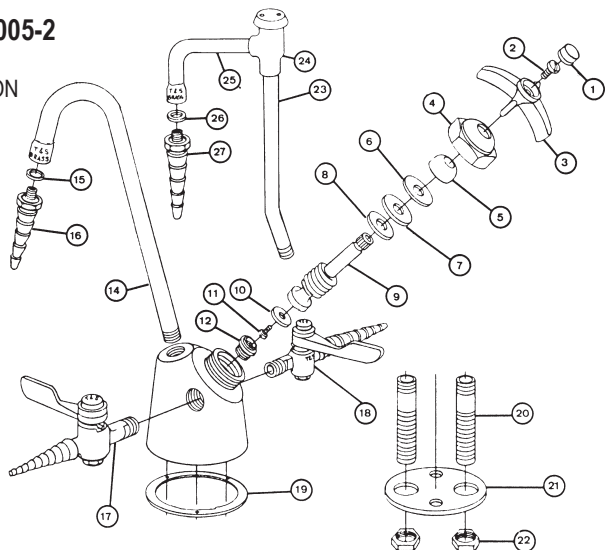
T & S BRASS LAVATORY FITTING

ITEM	PART #	DESCRIPTION	ITEM	PART #	DESCRIPTION	ITEM	PART #	DESCRIPTION
1	18861328	Hot index	47	18861091	Beveled rubber washer	54	50100021	Seat screw
2	18860925	Handle screw	48	18860725	Packing nut	55	40160016	Removable insert RH
3	18861144	Alpine Handle	49	40160049	Packing	56	40160046	Seat gasket
4	40120619	Handle screw	50	40160048	Bonnet	57	18860537	Flange escutcheon
5	40160220	Hot index	51	40160047	Bonnet gasket	58		Washer
	40160221	Cold index	52	40160007	Spindle RH	59		Bottom locknut
6	18863166	Carolina handle – hot	53	40120020	Seat washer	61	18860958	Coupling nut
	18863165	Carolina handle – cold						
7	18861327	Cold index						
8	18860925	Handle screw						
9	18861144	Alpine handle						
10-11	18860725	Packing nut and packing						
12	40160048	Bonnet						
13	40160047	Bonnet gasket						
14	40160007	Spindle RH						
15	40120020	Seat washer						
16	50100021	Seat screw						
17	40160016	Removable insert – RH						
18	40160046	Seat gasket						
19	18860537	Flange escutcheon						
20		Washer						
21		Bottom locknut						
23	18860958	Coupling nut						
26	40110144	Aerator						
28		Center body						
29		Washer						
30		Locknut						
31		Locknut						
32		Top Brass Washer						
33	40950036	O-Ring						
34		Swivel Yoke						
35	40950036	O-Ring						
36		Nipple						
37	18861060	O-Ring						
38	18861070	O-Ring						
39		Washer						
40		Star washer						
41		Nut						
42	18861091	Beveled rubber washer						
43		Brass washer						
44	18860958	Coupling nut						
45	18860958	Coupling nut						
46		Brass washer						



T & S BRASS LABORATORY FAUCETS & STOPS BL-6000-2, BL-6005-2

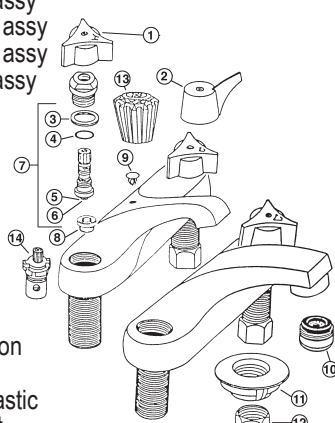
ITEM	PART #	DESCRIPTION	ITEM	PART #	DESCRIPTION
1	40160158	Cold index	20		Nipple
2	18860925	Handle screw	21		Washer
3	18860059	Four arm handle	22		Locknut
4	40160234	Bonnet	23		Riser
5	40160233	Packing	24	40110044	Vacuum breaker
6	40160232	S/S washer	25		Nozzle
7	18861047	Rubber washer	26	18861051	Washer
8	40160230	Brass washer	27	18861551	Serrated tip
9	40160007	Spindle RH			
10	40120020	Seat washer			
11	50100021	Seat screw			
12	40140113	Seat			
14		Gooseneck			
15	18861051	Washer			
16	18861551	Serrated tip			
17	18860209	Hose cock			
18	18860209	Hose cock			
19		Gasket			



FAUCET REPAIR

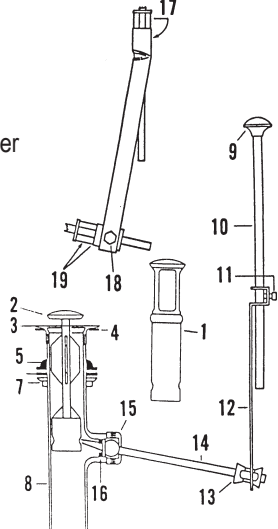
UNION BRASS LAVATORY FAUCET

ITEM	PART #	DESCRIPTION
1	19930340	Hot handle assy
	19930330	Cold handle assy
2	19930270	Cold handle assy
	19930280	Hot handle assy
3	19937430	Washer
4	40950022	Stem o-ring
5	40110119	Washer
6	50100009	Screw
7	43731002	Hot stem assembly
	43731001	Cold stem assembly
8	42000780	Seat
9	19937088	Snap-in button
10	40110130	Aerator
11	21940315	Locknut - plastic
12	40800454	Coupling nut
13	19930610	Hot handle assembly
	19930600	Cold handle assembly
14	43731005	Stem & bonnet (washerless) H&C
	43731003	Stem & bonnet - cold - use w/19930270



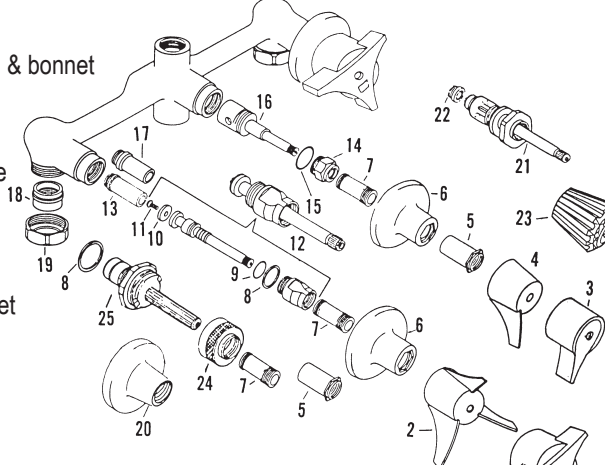
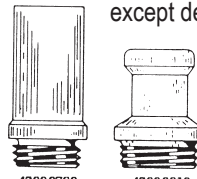
UNION BRASS POP-UP WASTE

ITEM	PART #	DESCRIPTION
1	19930510	Stopper
2	19930520	Stopper
3	19930140	Flange
4	19937446	Rubber washer
5	44735020	Mack basin washer
6		Fibre washer
7		Locknut
8		Body
9	19937176	Lift rod
10	19937314	Lift rod
11	19937326	Set screw
12	19937186	Lift link
13	19937080	Speed clip
14	19930480	Ball rod
15	19937260	Packing nut
16	19937298	Pack ring
17	19937190	Lift rod link w/ set screw
18		Shoulder screw
19	19937188	Ball rod link w/ set screw



UNION BRASS TUB & SHOWER VALVE

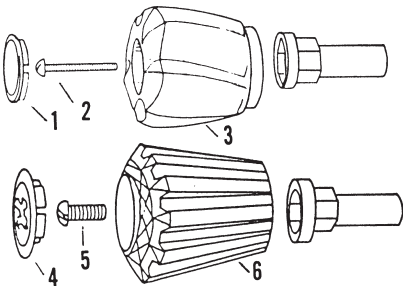
ITEM	PART #	DESCRIPTION	ITEM	PART #	DESCRIPTION
1	40520042	Hot handle assembly	19	19930440	Coupling nut
	40520041	Cold handle assembly	20	40520064	Escutcheon
2	19930220	Cold handle assembly	21	43731036	Diverter stem & bonnet
	19930230	Hot handle assembly			Used 6/84 to present
3	19930390	Diverter handle	22	42000780	Seat
4	NLA	Diverter handle	23	19930630	Acrylic handle - hot
5	40520066	Sleeve		19930620	Acrylic handle - cold
6	40520065	Escutcheon	24	19937272	Bonnet nut
7	40520054	Nipple	25	43731014	Stem & bonnet (washerless)
8	19937430	Bonnet washer			Use on all handles except decorative
9	40950022	O-Ring			
10	40110119	Washer			
11	50100009	Screw			
12	40160157	Stem & bonnet LH			
	40170010	Stem & bonnet RH			
13	42000790	Seat			
14	19930460	Bonnet			
15	40950028	O-Ring			
16	43731025	Diverter stem			
17	40160141	Seat			
18	19937406	Union			

40160093 REBUILD KIT
includes 1 (1), 2 (1), 3 (1), 5 (3), 6 (3), 7 (3), 12 (2), 14 (1), 16 (1), 17 (1)

UNION BRASS ACRYLIC HANDLES

ITEM	PART #	DESCRIPTION	ITEM	PART #	DESCRIPTION
1	19937074	Cold index	4	19937702	Hot index
	19937076	Hot index		19937704	Cold index
	19937078	Arrow index		19937706	Arrow index
2	19937344	Handle screw	5	19937342	Handle screw
1-3	NLA	Small acrylic handle	4-6	19930610	Small acrylic handle kit - hot
	NLA	Large acrylic handle kit - hot		19930600	Small acrylic handle kit - cold
	NLA	Large acrylic handle kit - hot		19930630	Large acrylic handle kit - hot
	NLA	Large acrylic handle kit - cold		19930620	Large acrylic handle kit - cold
	NLA	Large acrylic handle kit - arrow		19930628	Large acrylic handle kit - arrow




TOTAL MAINTENANCE SOLUTIONS

HOUSTON
800/392-5066

ORLANDO
800/327-3022

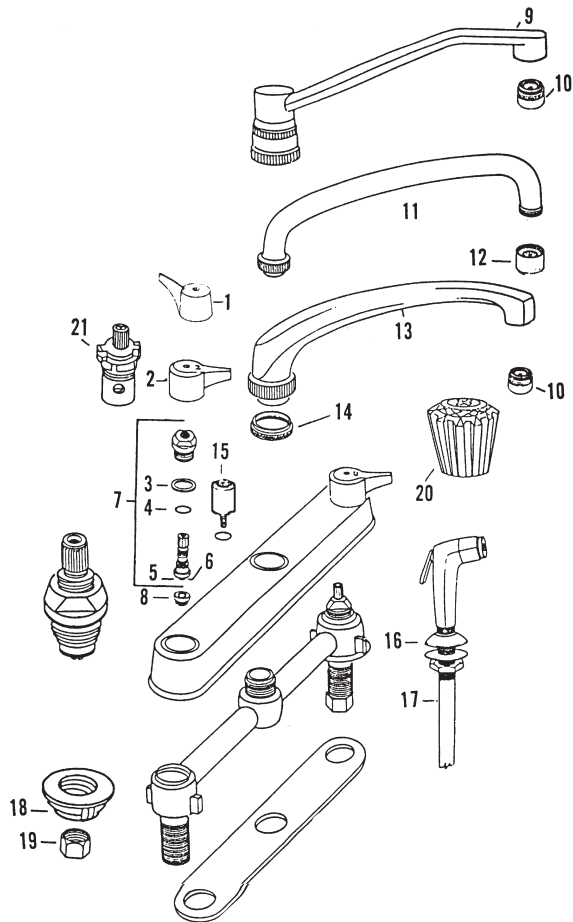
GREENVILLE
800/476-2212

LOOK FOR US ON THE WEB AT: www.TMSSouth.com

FAUCET REPAIR

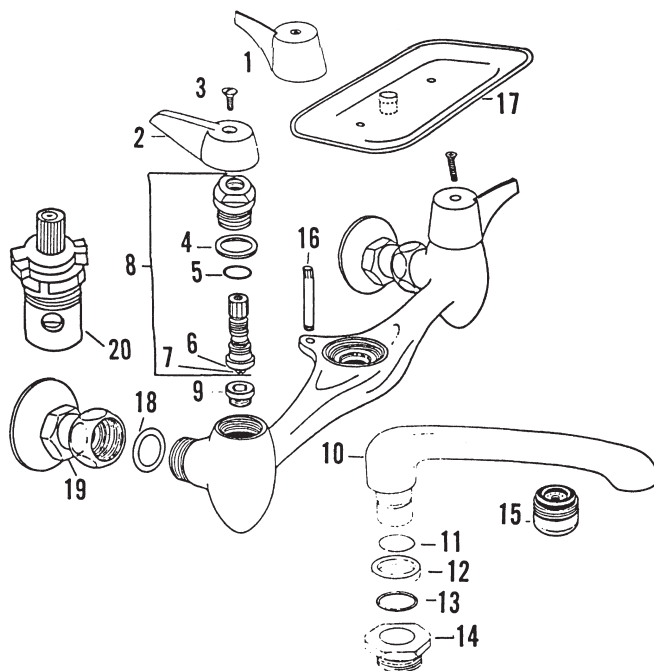
UNION BRASS KITCHEN FAUCET

ITEM	PART #	DESCRIPTION
1	19930250	Cold handle assembly
	19930260	Hot handle assembly
2	19930350	Cold handle assembly
	19930360	Hot handle assembly
3	19937430	Washer
4	40950022	Stem o-ring
5	40110119	Washer
6	50100009	Screw
7	43731001	Cold stem assembly
	43731002	Hot stem assembly
8	42000780	Seat
9	19937818	Spout assembly
10	40110130	Aerator
11	19930540	Spout assembly
12	40110144	Aerator
13	19937482	Spout assembly
14	19937276	Locknut
15	40140255	Diverter
16	45731002	Hose guide assy.
17	40110165	Hose & spray assembly
18	21940315	Plastic locknut
19	40800454	Coupling nut
20	19930610	Hot acrylic handle
	19930600	Cold acrylic handle
21	43731004	Hot stem assembly (washerless)
	43731003	Cold stem assembly (washerless)



UNION BRASS WALL TYPE SINK FAUCET

ITEM	PART #	DESCRIPTION
1	19930280	Hot handle
	19930270	Cold handle
2	19937122	Hot handle
	19937120	Cold handle
3	19930490	Handle screw
4	19937430	Washer
5	40950022	Stem o-ring
6	40110119	Washer
7	50100009	Screw
8	43731001	Cold stem assembly L.H.
	43731002	Hot stem assembly R.H.
9	42000780	Seat
10	19930500	Spout assembly
11	19937286	Snap ring
12	19937290	Bushing
13	40950028	O-Ring
14	19930438	Spout nut
15	40110130	Aerator
16	19937312	Soap dish post
17	19937082	Soap dish
18	19937418	Flange washer
19	19937024	Female flange assembly
	19937006	Male flange assembly
20	43731004	Hot stem & bonnet (washerless)
	43731003	Cold stem & bonnet (washerless)



**TOTAL
MAINTENANCE
SOLUTIONS**

HOUSTON
800/392-5066

ORLANDO
800/327-3022

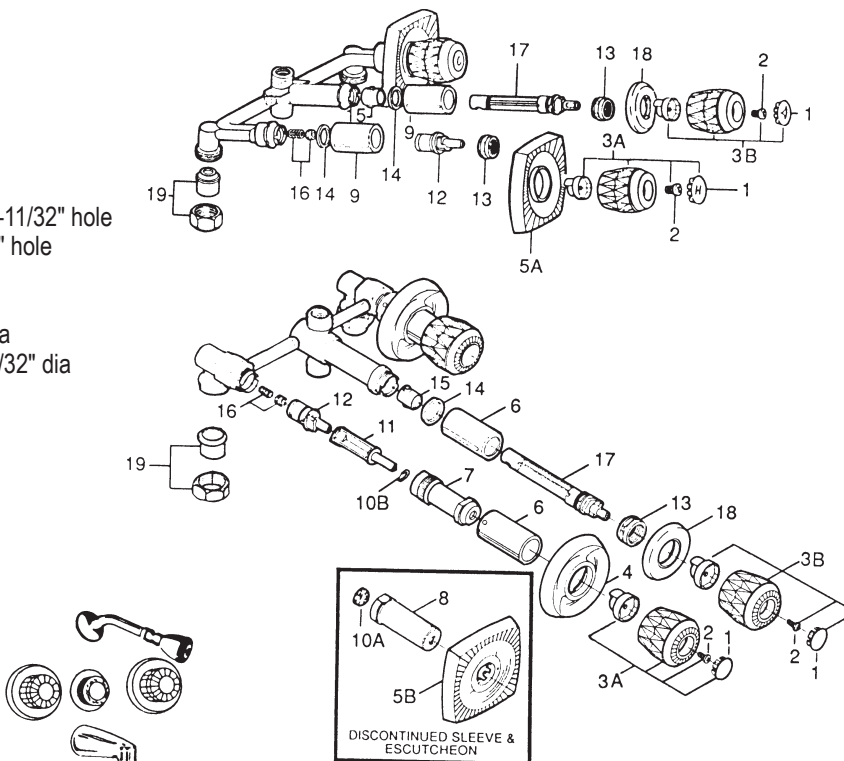
GREENVILLE
800/476-2212

LOOK FOR US ON THE WEB AT: www.TMSSouth.com

FAUCET REPAIR

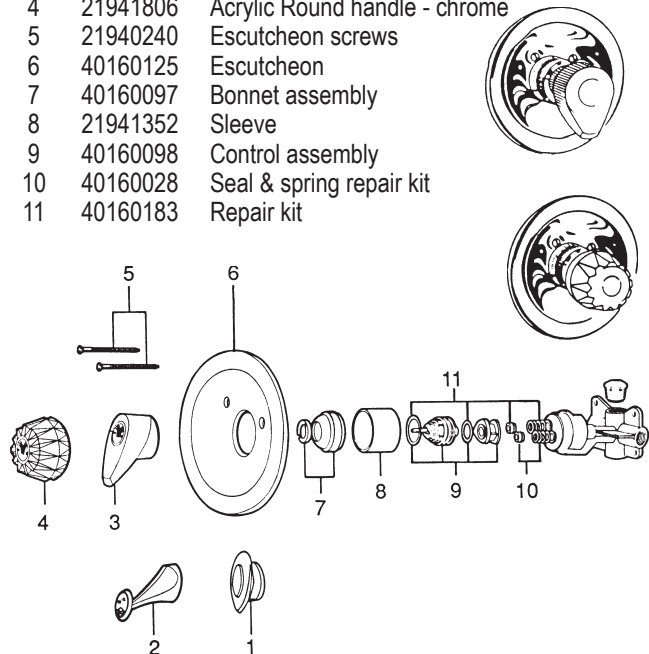
VALLEY TWO & THREE HANDLE BATH FAUCET

ITEM	PART #	DESCRIPTION
1	21942158	Cold index
	21942160	Hot index
	21942214	Arrow index
2	21942514	Handle screw
3	40160151	Acrylic handle w/insert
4	21941976	Round escutcheon
5	21941750	Square escutcheon - 1-11/32" hole
	21941950	Square escutcheon - 1" hole
6	21941710	Sleeve cover - chrome
7	21941704	Sleeve cover - chrome
8	21941932	Sleeve - chrome - 1" dia
9	21941756	Sleeve - chrome - 1-11/32" dia
10	21941026	Wave washer
11	21940205	Stem extension
12	21940280	Control assembly
13	21940380	Bonnet
14	21941762	Gasket
15	21941782	Diverter seal
16	40160028	Seal & spring repair kit
17	21940410	Diverter assembly
18	21941766	Diverter escutcheon
19		IPS fittings



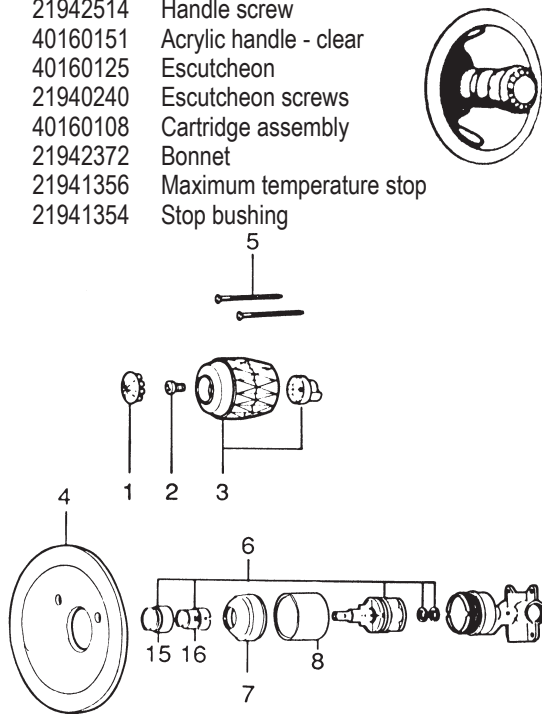
VALLEY SINGLE CONTROL BATH & SHOWER FAUCET

ITEM	PART #	DESCRIPTION
1	21940400	Acrylic handle
2	40160150	Lever handle
3	21941800	Acrylic Teardrop handle - chrome
4	21941806	Acrylic Round handle - chrome
5	21940240	Escutcheon screws
6	40160125	Escutcheon
7	40160097	Bonnet assembly
8	21941352	Sleeve
9	40160098	Control assembly
10	40160028	Seal & spring repair kit
11	40160183	Repair kit



VALLEY BACK TO BACK BATH & SHOWER VALVE

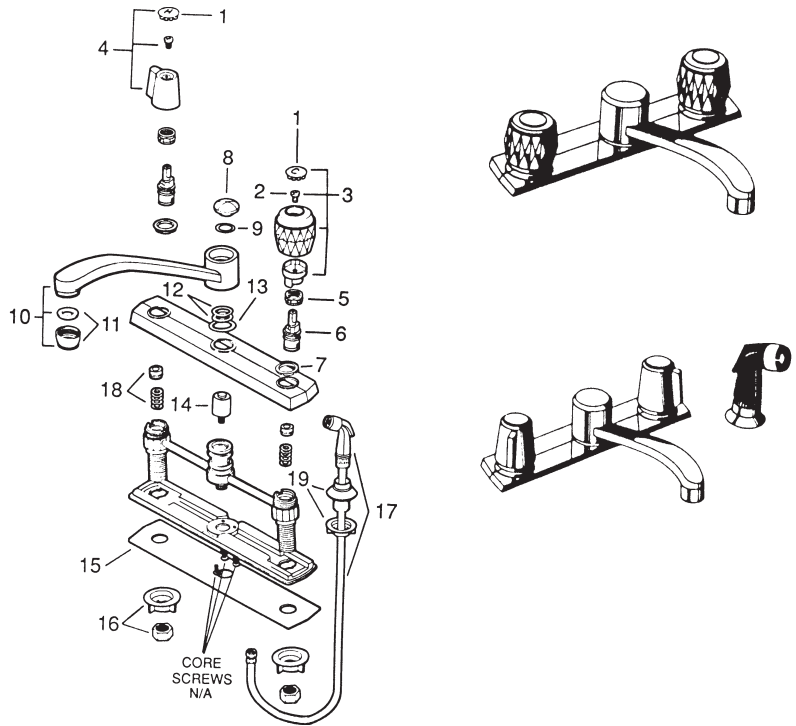
ITEM	PART #	DESCRIPTION
1	21941360	Plug button - chrome
2	21942514	Handle screw
3	40160151	Acrylic handle - clear
4	40160125	Escutcheon
5	21940240	Escutcheon screws
6	40160108	Cartridge assembly
7	21942372	Bonnet
15	21941356	Maximum temperature stop
16	21941354	Stop bushing



FAUCET REPAIR

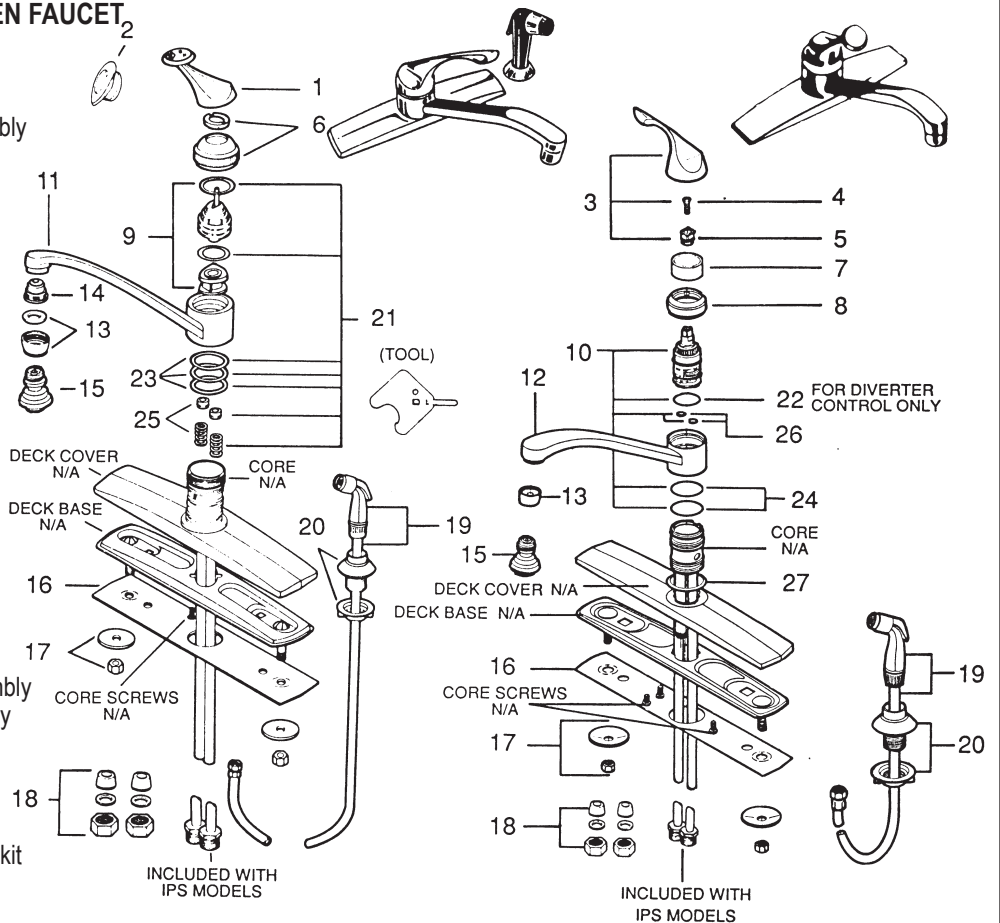
VALLEY TWO HANDLE KITCHEN FAUCET

ITEM	PART #	DESCRIPTION
1	21942158	Cold index
	21942160	Hot index
2	21942514	Handle screw
3	40160151	Acrylic handle w/insert
4	21940420	Blade handle kit
5	21940380	Bonnet nut
6	21940280	Control assembly
7	21942516	Spacer
8	21940702	Cap
9	21940722	Cap o-ring
10	21942134	Spout assembly w/aerator
11	40110130	Aerator
12	21941816	O-Ring
13		Hub spacer
14	40140255	Diverter
15		Gasket
16	21940315	Locknut
	40800454	Coupling nut
17	40110165	Hose & spray assy.
18	40160028	Seal & spring repair kit
19	45731002	Hose guide assembly



VALLEY SINGLE CONTROL KITCHEN FAUCET

ITEM	PART #	DESCRIPTION
1	40160150	Lever handle
2	21940400	Acrylic handle
3	21940584	Lever handle assembly
4	21940526	Handle screw
5	21940578	Handle adapter
6	40160097	Bonnet assembly
7	21940524	Bonnet lock ring
8	21940508	Bonnet nut
9	40160098	Control assembly
10	40160107	Control assembly - non diverter
	40160124	Control assembly - diverter
11	21940260	Spout assembly w/ diverter - 8"
12	21940602	Spout assembly - 8"
13	40110130	Aerator
14	21942380	Diverter
15		Swivel spray
16		Gasket
17	21940250	Mounting hardware
18		IPS fittings
19	40110165	Spray & hose assembly
20	45731002	Hose guide assembly
21	40160183	Repair kit
22	21940576	O-Ring - diverter
23	21940370	O-Ring repair kit
24	21940582	Spout o-ring
25	40160028	Seal & spring repair kit
26	21940426	Port seal ring
27	21940550	Bearing hub



**TOTAL
MAINTENANCE
SOLUTIONS**

HOUSTON
800/392-5066

ORLANDO
800/327-3022

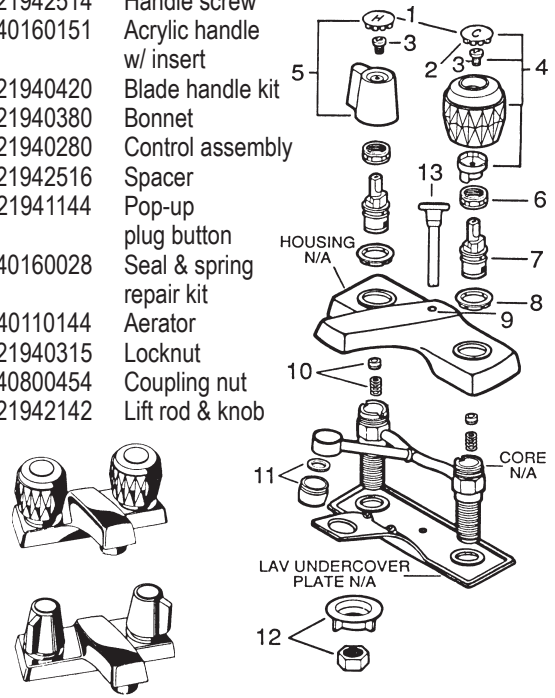
GREENVILLE
800/476-2212

LOOK FOR US ON THE WEB AT: www.TMSSouth.com

FAUCET REPAIR

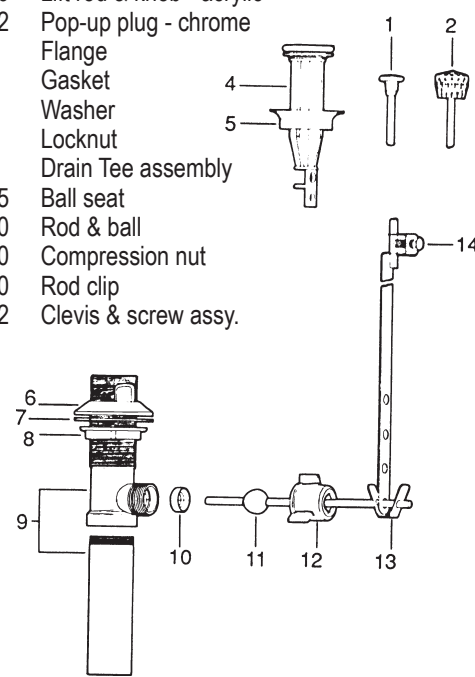
VALLEY TWO HANDLE LAVATORY FAUCET

ITEM	PART #	DESCRIPTION
1	21942158	Cold index
2	21942160	Hot index
3	21942514	Handle screw
4	40160151	Acrylic handle w/ insert
5	21940420	Blade handle kit
6	21940380	Bonnet
7	21940280	Control assembly
8	21942516	Spacer
9	21941144	Pop-up plug button
10	40160028	Seal & spring repair kit
11	40110144	Aerator
12	21940315	Locknut
	40800454	Coupling nut
13	21942142	Lift rod & knob



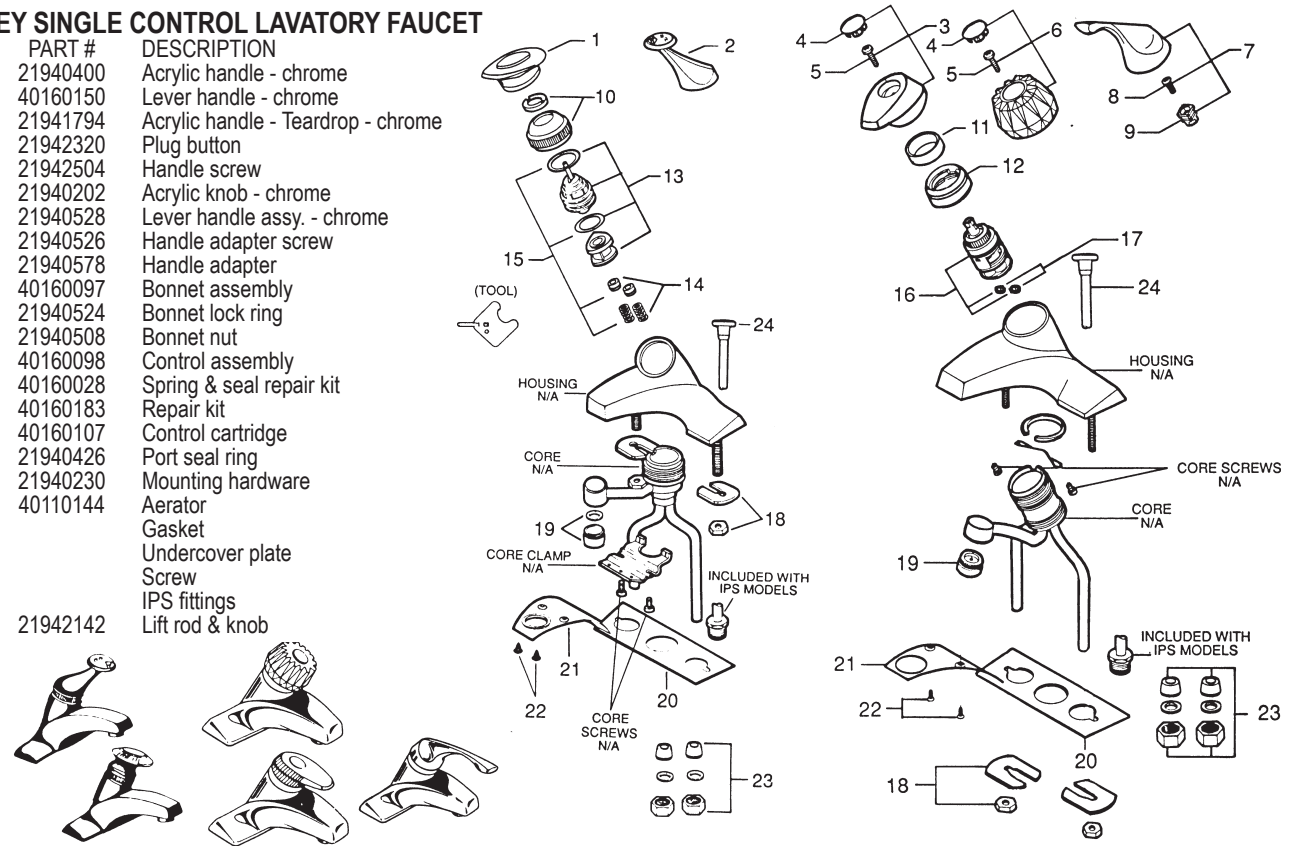
VALLEY POP-UP WASTE

ITEM	PART #	DESCRIPTION
1	21942142	Lift rod & knob - chrome
2	21942196	Lift rod & knob - acrylic
4	40160152	Pop-up plug - chrome
5		Flange
6		Gasket
7		Washer
8		Locknut
9		Drain Tee assembly
10	40160145	Ball seat
11	21940190	Rod & ball
12	21940170	Compression nut
13	40130240	Rod clip
14	21940952	Clevis & screw assy.



VALLEY SINGLE CONTROL LAVATORY FAUCET

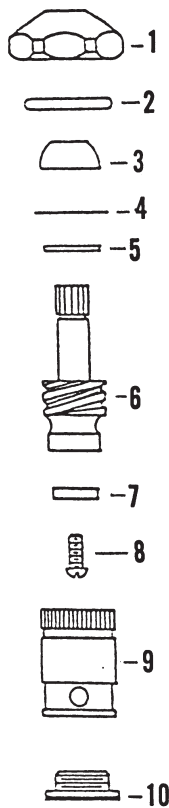
ITEM	PART #	DESCRIPTION
1	21940400	Acrylic handle - chrome
2	40160150	Lever handle - chrome
3	21941794	Acrylic handle - Teardrop - chrome
4	21942320	Plug button
5	21942504	Handle screw
6	21940202	Acrylic knob - chrome
7	21940528	Lever handle assy. - chrome
8	21940526	Handle adapter screw
9	21940578	Handle adapter
10	40160097	Bonnet assembly
11	21940524	Bonnet lock ring
12	21940508	Bonnet nut
13	40160098	Control assembly
14	40160028	Spring & seal repair kit
15	40160183	Repair kit
16	40160107	Control cartridge
17	21940426	Port seal ring
18	21940230	Mounting hardware
19	40110144	Aerator
20		Gasket
21		Undercover plate
22		Screw
23		IPS fittings
24	21942142	Lift rod & knob



FAUCET REPAIR

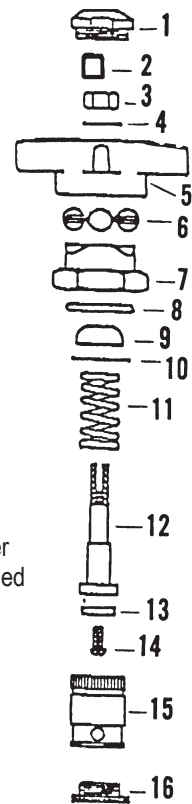
WATER SAVER COMPRESSION VALVE

ITEM	PART #	DESCRIPTION
1	32760242	Packing nut
2	32760110	Body washer
3	32760120	Stem packing
4	32760100	Retainer washer
5	32760240	Stem friction ring
6	43761004	Valve stem - RH
	43761003	Valve stem - LH
7	40110119	Washer
8	50100009	Screw
9	32760236	Barrel - RH
	32760238	Barrel - LH
10	32760232	Renewable seat w/washer
1-10	40171039	Stem assy. - LH
	40171017	Stem assy. - RH



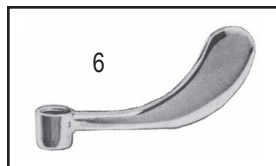
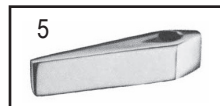
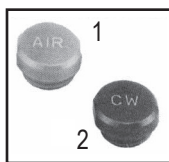
WATER SAVER SELF-CLOSING VALVE

ITEM	PART #	DESCRIPTION
1	32760224	Index disc - hot
	32760226	Index disc - cold
2	32760270	Locking clip
3	32760272	Hex nut
4	32760258	Friction washer
5	32760228	Self-closing handle
6	32760266	Roller bearing assy.
7	32760264	Packing nut
8	32760110	Body washer
9	32760262	Stem packing
10	32760260	Retainer washer
11	32760268	Lifting spring
12	32760256	Valve stem
13	32760252	Stem washer
14	50100009	Screw
15	32760250	Barrel
16	32760232	Renewable seat w/washer
1-16	32760244	Self-closing valve - Tin lined
	32760246	Self-closing valve - PVC



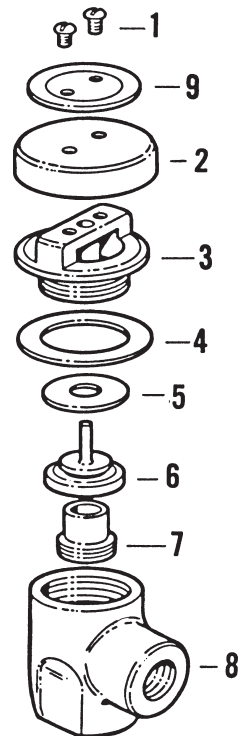
WATER SAVER HANDLES

ITEM	PART #	DESCRIPTION
1	32760224	White plastic index disc - hot
	32760226	White plastic index disc - cold
2	32760140	Colored plastic index disc - hot
	32760160	Colored plastic index disc - cold
3	32760180	Four arm handle - chrome w/ square broach
4	32760212	Four arm handle - black plastic
5	NLA	Lever handle
6	32760214	Wrist handle - 4"
	32760216	Wrist handle - 6"



WATER SAVER VACUUM BREAKER L-100 (3/8"), L-101 (1/2")

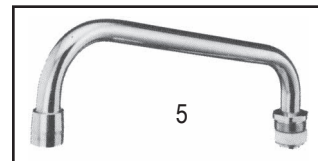
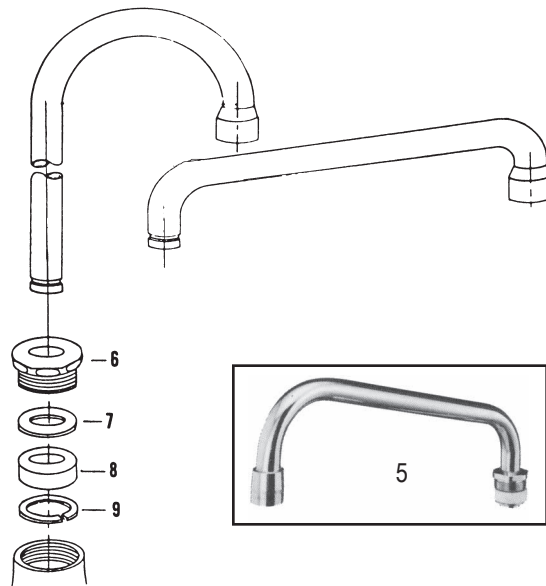
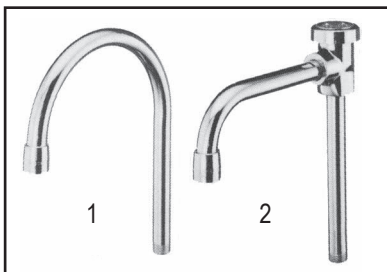
ITEM	PART #	DESCRIPTION
1	32760330	Cover screw
2	32760324	Vent cap cover
3	32760320	Vacuum breaker bonnet
4	40150159	Body gasket
5	NLA	Upper vent disc
6	40150158	Float cup
7	32760332	Seat
8		Body
9		Name plate



FAUCET REPAIR

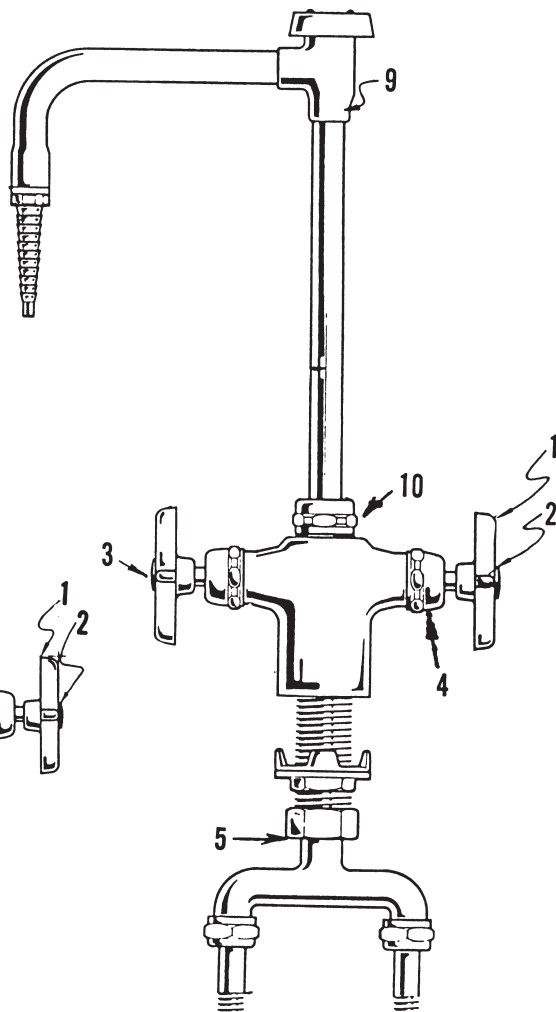
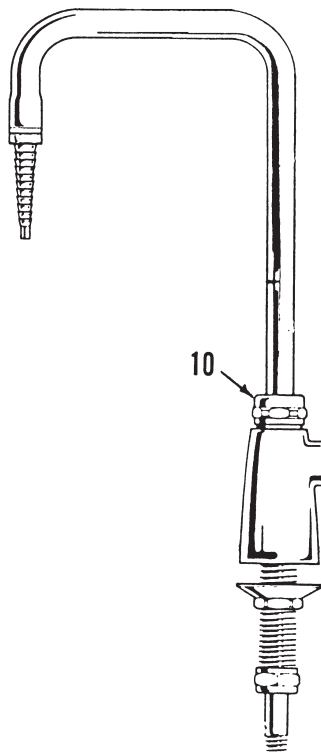
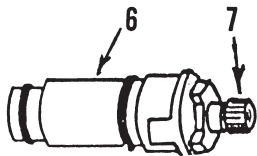
WATER SAVER SPOUTS

ITEM	PART #	DESCRIPTION
1	32760300	Gooseneck spout - rigid
2	32760302	Gooseneck spout w/VB - rigid
3	32760304	Gooseneck spout - swing
4	32760306	Gooseneck spout w/VB - swing
5	32760308	9" Swing spout
6	32760126	Packing nut
7	32760128	Friction ring
8	32760130	Spout packing
9	32760132	Split lock ring



ULTRA LAB DECK MOUNT SINGLE & DOUBLE LABORATORY FAUCETS

ITEM	PART #	DESCRIPTION
1	26780150	Cross handle
2	26780120	Cold index button
3	26780130	Hot index button
4	26780160	Bonnet nut
5	26780170	Yoke washer
6	26780100	Cartridge
7	26780110	Stem only - cold
	26780112	Stem only - hot
8	26780140	4" wrist handle
9	40110044	Vacuum breaker assy. - chrome
	40110049	V/B repair kit (not shown)
10	NLA	Spout nut



FAUCET REPAIR

SENSOR OPERATED FAUCETS



PART #	DESCRIPTION
45972032	.5 GPM VP aerator
40110166	2.0 GPM VP aerator
32990344	Filter attachment kit
32990346	Filter screen replacement kit
32990348	Sensor eyes w/ screws, Z-6901
32990350	Electronics module, Z-6901
32990352	Solenoid valve, Z-6901, Z-6903
32990354	Sensor eyes, electronics, cover plate, Z-6903
32990356	Solenoid valve, Z-6911, Z-6910
32990358	Electronics Z-6911, Z-6910
32990360	Battery drawer
32990362	Electronics module cover, battery operated units



ZURN Z-6901
AC OPERATED



Z-6903-77
AC OPERATED



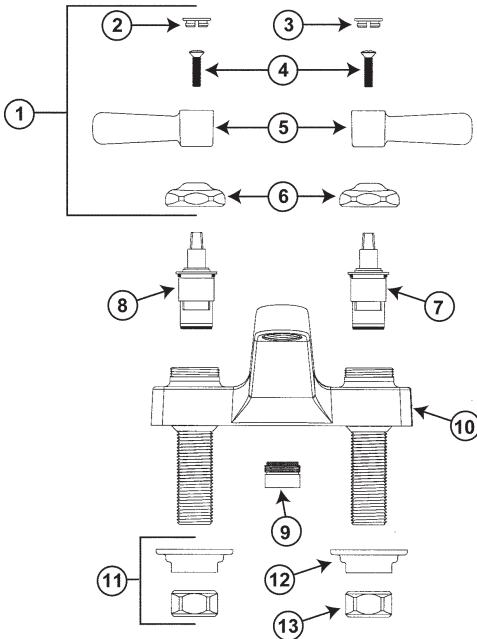
ZURN Z-6911
BATTERY OPERATED



Z-6910 BATTERY
OPERATED

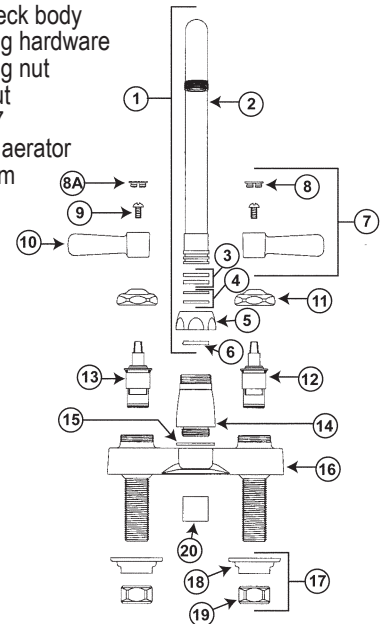
ZURN Z-81101 4" CENTERSET FAUCET

ITEM	PART #	DESCRIPTION
1	32990100	VP brass lever handles
2	32990110	Hot index
3	32990120	Cold index
4	32990130	10/32 screw
5	32990140	Lever handle
6	32990150	Handle nut
7	40160036	Short cold cartridge
8	40160037	Short hot cartridge
9	40110124	13/16" - 27 male aerator - 2.0 gpm
10		4" Centerset body
11		Mounting hardware
12		Mounting nut
13		Riser nut



ZURN Z-812A1 4" CENTERSET GOOSENECK

ITEM	PART #	DESCRIPTION
1		3-1/2" Centerline gooseneck 'A' spout assembly
2	32990160	3-1/2" Centerline gooseneck spout
3	32990180	Swing washers
4	32990190	O-Rings (qty. 2)
		Spout nut
6		Spacer washer
7	32990100	2.5" VP brass lever handles
8	32990120	Cold index
8A	32990110	Hot index
9	32990130	10/32 screw
10	32990140	Brass lever handle
11	32990150	Handle nut
12	40160036	Short cold cartridge
13	40160037	Short hot cartridge
14	32990170	Spout base
15	32990200	O-Ring (qty. 1)
16		4" Centerset gooseneck body
17		Mounting hardware
18		Mounting nut
19		Riser nut
20	40110125	3/4" - 27 Female aerator - 2.0 gpm



**TOTAL
MAINTENANCE
SOLUTIONS**

HOUSTON
800/392-5066

ORLANDO
800/327-3022

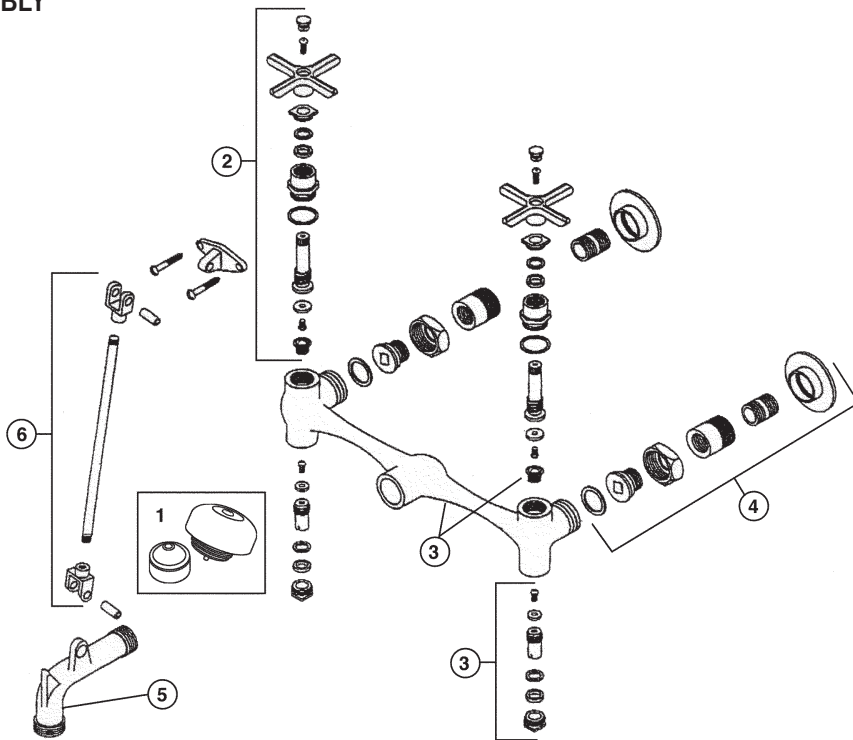
GREENVILLE
800/476-2212

LOOK FOR US ON THE WEB AT: www.TMSSouth.com

FAUCET REPAIR

ZURN Z-1996-SF MOP SINK FAUCET ASSEMBLY

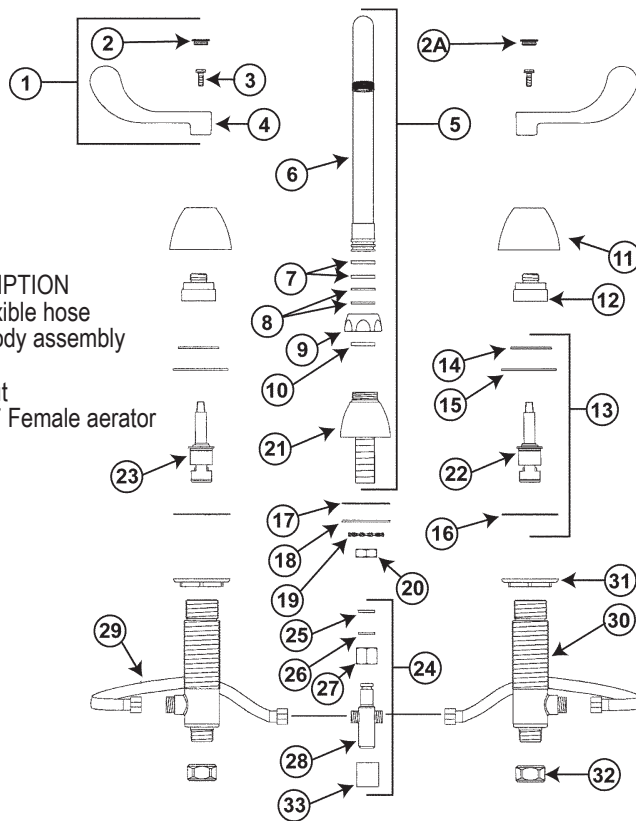
ITEM	PART #	DESCRIPTION
1	40300174	Vacuum breaker assembly
2	40291052	Handle assembly
3		Faucet body w/ seats
4		Connection assembly
5		Spout
6		Spout brace assembly



ZURN Z-831A4 WIDESPREAD

ITEM	PART #	DESCRIPTION
1	32990210	VP brass wrist handles
2	32990110	Hot index
2A	32990120	Cold index
3	32990130	10/32 screw
4	32990220	4" Wrist blade handle
5		3-1/2" Gooseneck 'A' spout assembly
6	32990160	3-1/2" Centerline gooseneck spout
7	32990180	Swing washers
8	32990190	O-Rings
9	32990320	Spout nut
10		Spacer washer
11	32990230	Escutcheon
12	32990240	Cartridge cap
13		Mounting hardware
14	32990250	Retaining ring
15	32990260	Washer, brass
16	32990270	Washer, steel
17	32990290	Steel washer
18	32990300	Gasket
19		Toothed lockwasher
20		Mounting nut
21	32990310	Base
22	40160034	Long hot cartridge
23	40160033	Long cold cartridge
24		Tee assembly
25		Gasket
26	32990330	Retaining ring
27		Shank nut
28		Tee

ITEM	PART #	DESCRIPTION
29		S/S Flexible hose
30		Valve body assembly
31	32990280	Nut
32		Riser nut
33	40110125	3/4" - 27 Female aerator



**TOTAL
MAINTENANCE
SOLUTIONS**

HOUSTON
800/392-5066

ORLANDO
800/327-3022

GREENVILLE
800/476-2212

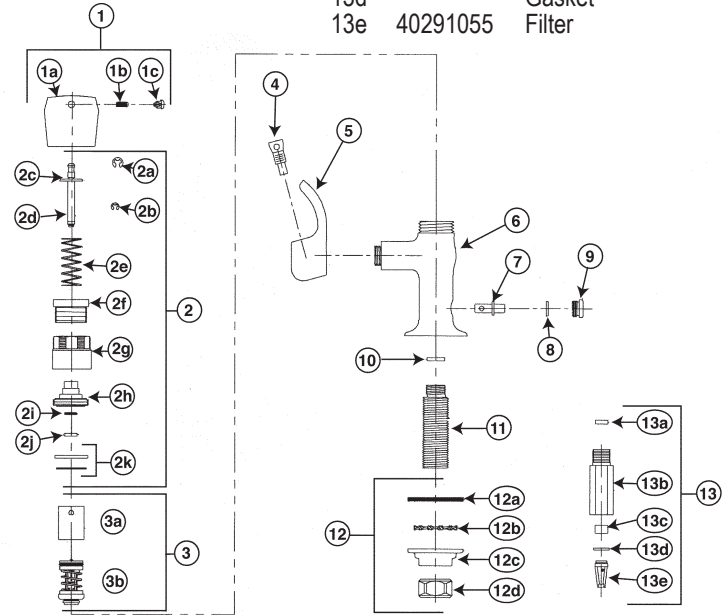
LOOK FOR US ON THE WEB AT: www.TMSSouth.com

FAUCET REPAIR

ZURN Z83600 BUBBLER

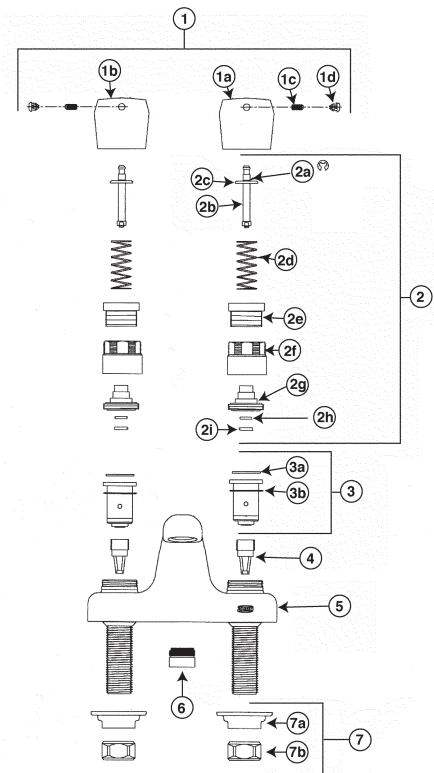
ITEM	PART #	DESCRIPTION
1	40291053	Metering handle assembly
1a		Metering handle
1b		Set screw
1c		Metering index buttons
		Hot index
		Cold index
		Tempered index
2	40291054	Handle nut assembly
2a		Retaining "E" ring
2b		Retaining "E" ring
2c		Spring seat
2d		Stem
2e		Return spring
2f		Adjustment nut
2g		Cap
2h		Stem housing
2i		O-ring
2j		O-ring retainer
2k		Cap sealing washer assy.
		Plastic ring
		O-ring
3	32992682	Poppet assembly w/ sleeve
3a		Valve sleeve
3b		Poppet
4		Bubbler adapter
5		Bubbler outlet
6		Body
7		Flow control
8		Gasket

ITEM	PART #	DESCRIPTION	ITEM	PART #	DESCRIPTION
9		Retainer nut	12c		Mounting nut
10		Gasket	12d		1/2" NPSM riser nut
11		Shank	13		Filter assy.
12		Mounting hardware	13a		Washer
12a		Gasket	13b		Housing
12b		Lock washer	13c		Flow control
			13d		Gasket
			13e	40291055	Filter



Z86500 METERING FAUCET

ITEM	PART #	DESCRIPTION
1	40291056	Dual metering handle assembly
1a		Cold metering handle
1b		Hot metering handle
1c		Setscrew
1d		Metering index buttons – H, C
		Hot index
		Cold index
2	40291054	Handle nut assembly
2a		E-ring
2b		Stem
2c		Spring seat
2d		Spring
2e		Adjustment nut
2f		Cap
2g		Stem housing
2h		O-ring
2i		O-ring retainer
3	32990235	Metering cartridge assy.
3a		O-ring
3b		Washer
4	40291057	Integral shank filter
5		4" centerset body
6		13/16"-27 male spray outlet, .25 GPC
7		Mounting hardware
7a		Mounting nut
7b		1/2" NPSM riser nut



**TOTAL
MAINTENANCE
SOLUTIONS**

HOUSTON
800/392-5066

ORLANDO
800/327-3022

GREENVILLE
800/476-2212

LOOK FOR US ON THE WEB AT: www.TMSSouth.com

FAUCET REPAIR

FAUCET AERATORS

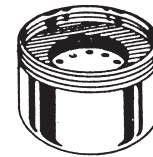
PART #	DESCRIPTION
40110124	13/16 Slotless male aerator
40110125	13/16 Slotless female aerator
40110144	15/16 Slotless male aerator
40110130	15/16 Slotless female aerator
40110149	15/16 Slotless dual thread aerator
40110150	15/16 Slotless dual thread aerator – polished brass
40110135	13/16 Slotted male aerator
45972032	15/16 male .5 gpm aerator – vandal proof w/ rotating sleeve
40110151	15/16 female .5 gpm aerator – vandal proof w/ rotating sleeve
40110055	15/16 Slotted male aerator
45972025	13/16 Slotted female aerator
40110132	15/16 Slotted female aerator
40110145	15/16 Slotted dual thread aerator
45972020	13/16 Male vandal proof w/ rotating sleeve
40110166	15/16 Male vandal proof w/ rotating sleeve
40110183	13/16 Male moderator 2.0 gpm
45972075	13/16 Female moderator 2.0 gpm
40110189	15/16 Dual thread moderator 2.0 gpm
45163043	Aerator parts kit - for large male & female



40110124
40110144



40110125
40110130



40110149



40110055
40110135



45971010
45972025



40110145



Moderator
45972075



VP Ultra Low
Flow .5 gpm
40110151



VP aerator w/
rotating sleeve



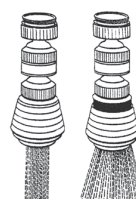
Wrench

FAUCET SPRAYS

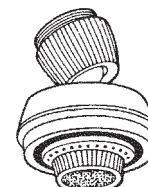
PART #	DESCRIPTION
45163004	Swivel spray aerator w/ C.P. brass upper section and white plastic lower section.
45163008	Same as 45163004 except white plastic upper & lower sections.
40110103	Swing-N-Spray aerator, C.P. brass & white plastic w/ male thread adapter
45003005	Kitchen faucet swivel spray (white)
40950124	Kitchen faucet swivel spray (black)



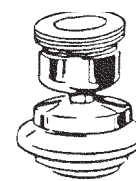
45163004



Aerated
Jet Stream
Just Pull For
Wide Spray
45003005/40950124



45163008

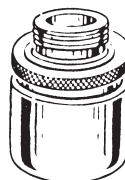


40110103

SPECIAL AERATORS

PART #	DESCRIPTION
45162042	Swivel aerator – dual thread
45972025	Small female aerator 3/4" x 27 thrd.
45163030	Male aerator 3/8" IPS thread
45163036	Female aerator 3/4" hose thread
45164006	Male aerator 11/16" x 27 thread (Chicago Faucet)
40110111	Female aerator 13/64" x 24 "SoftFlo" Chicago Faucet

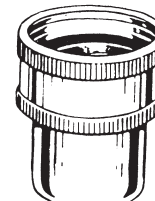
45162042



45163030



45164006



45163036

AERATOR ADAPTERS

Lower section fits standard female aerator unless otherwise specified

ITEM	PART #	DESCRIPTION
1	45162002	15/16 X 27 Thread, male adapter (Delta, A/S)
2	45162004	15/16 x 16 Thread, male adapter
3	40110120	3/8" IPS Thread, male adapter (Youngstown, Milwaukee)
4	45162014	3/8" IPS Thread, female adapter



1



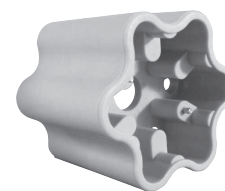
2



3



4



VANDAL WRENCH
PART # 40110026



AERATOR WRENCH
PART # 40110027



**TOTAL
MAINTENANCE
SOLUTIONS**

HOUSTON
800/392-5066

ORLANDO
800/327-3022

GREENVILLE
800/476-2212

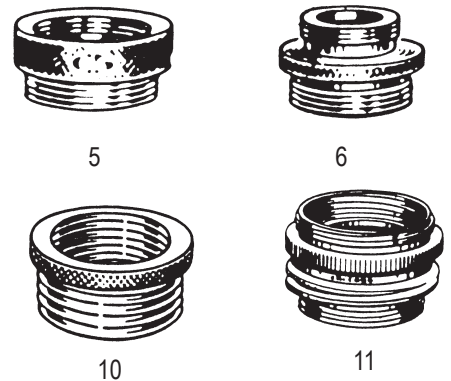
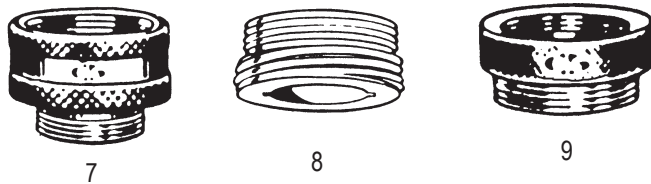
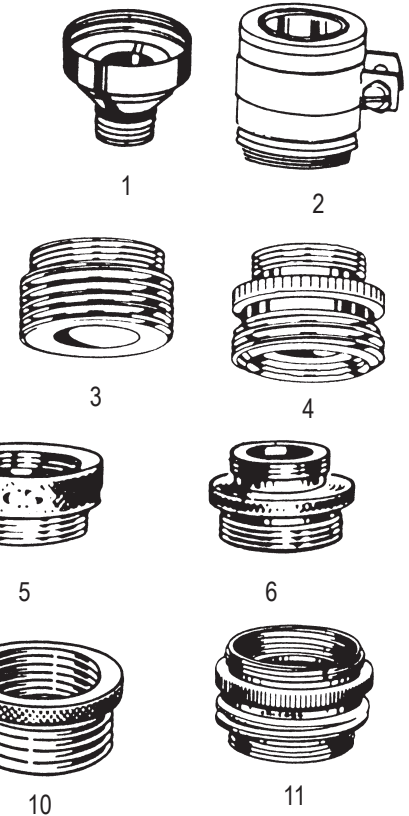
LOOK FOR US ON THE WEB AT: www.TMSSouth.com

FAUCET REPAIR

AERATOR ADAPTERS (CONTINUED)

Lower section fits standard female aerator unless otherwise specified

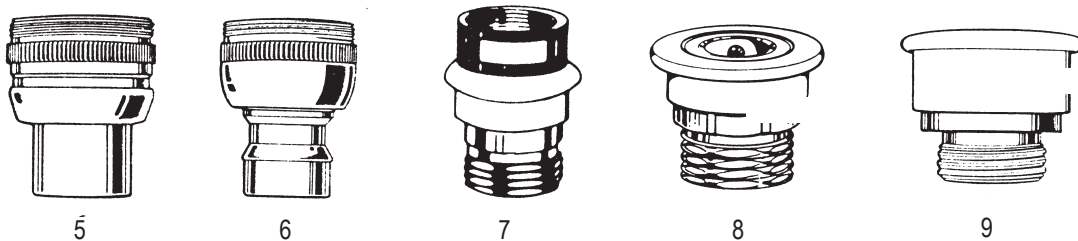
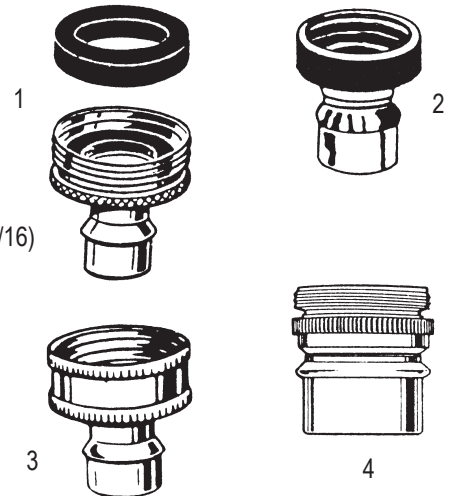
ITEM	PART #	DESCRIPTION
1	14890560	17/32 X 27 Thread, female (Sayco), lower section thread for std. male aerator
2	45162028	Universal slip-over adapter-2 sleeves-middle section for 3/4" hose thread. Lower section for standard female aerator
3	40110164	Hose adapter, upper section dual thread – lower section 3/4" hose thread
4	45162040	Hose adapter, upper section 13/16 x 27 thread male – lower 3/4" hose thread
5	40110122	13/16 x 24 Thread, female adapter (Chicago Faucet)
6	45163034	11/16 x 27 Thread, male adapter (Chicago Faucet)
7	45163038	3/4" Hose thread, female adapter
8	40110121	13/16 x 27 thread, male adapter – metal
9	45163042	3/4 x 27 Thread female adapter (Kohler, Price Pfister)
10	40110138	Standard female aerator thrds. x 3/4" male hose thread
11	40110123	Faucet to hose adapter-upper section dual thread aerator. Lower section takes standard female aerator or 3/4" hose thread
	45972060	55/64" female x 15/16" female (not shown)



AERATORS ADAPTERS (CONTINUED)

Lower section fits standard female aerator unless otherwise specified

ITEM	PART #	DESCRIPTION
1	45162044	Small snap fitting, dual threads (55/64 & 15/64)
2	45163013	Small snap fitting, female 3/4 x 27 thread (P.P. & Kohler)
3	45163019	Small snap fitting, 3/4" female hose thread
4	45163022	Large snap fitting, w/ adapter for dual aerator thread (55/64 & 15/16) (Sears, Wards, & Whirlpool)
5	45724006	Small Whirlpool snap fitting w/ adapter for dual aerator thread (55/64 & 15/16)
6	45724008	G.E. & Westinghouse snap fitting w/ adapter for dual aerator thread (55/64 & 15/16)
7	45163012	Snap coupler set, small snap fitting 3/4" female hose thread and snap coupler 3/4" male hose thread
8	45163002	Large snap coupler with 3/4" male hose threads
9	45163023	Small snap coupler with 3/4" male hose threads



**TOTAL
MAINTENANCE
SOLUTIONS**

HOUSTON
800/392-5066

ORLANDO
800/327-3022

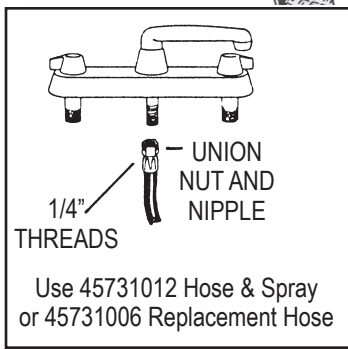
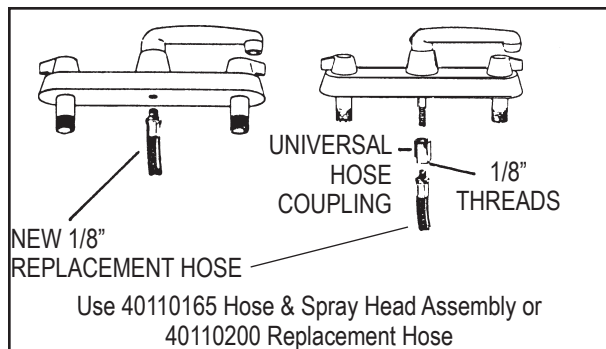
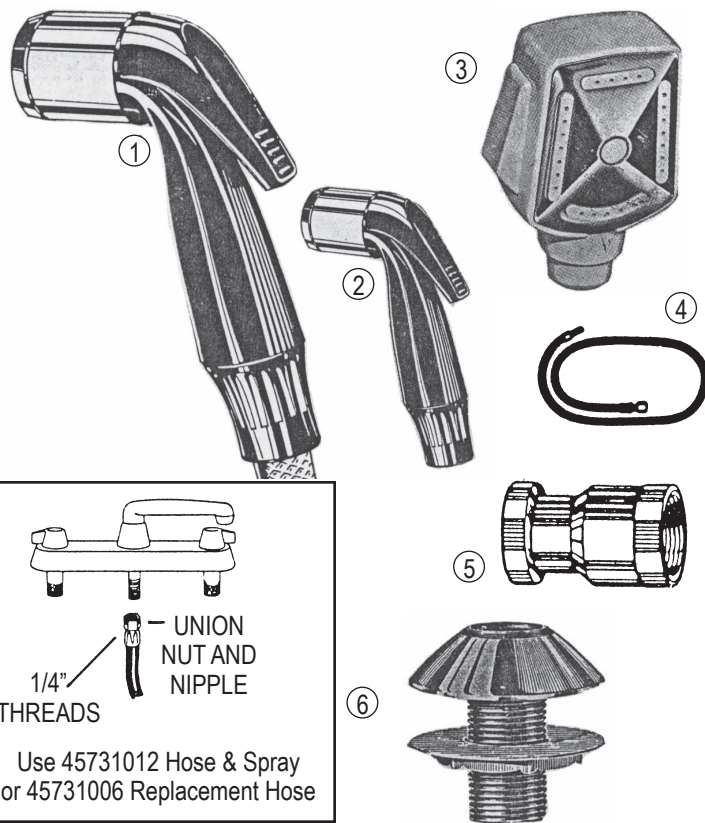
GREENVILLE
800/476-2212

LOOK FOR US ON THE WEB AT: www.TMSSouth.com

FAUCET REPAIR

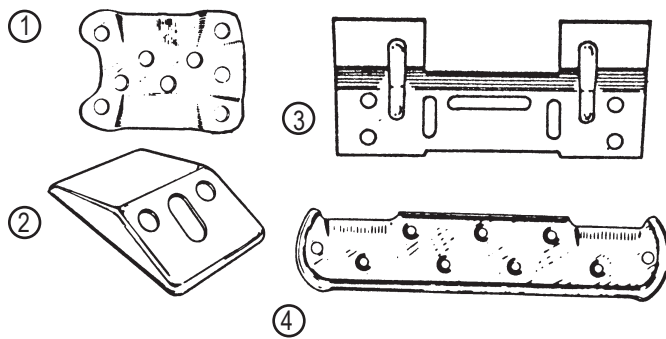
SINK SPRAYERS

ITEM	PART #	DESCRIPTION
1	40110165	Hose & spray head with adapter (1/4" female or 1/8" male)
	40110195	Economy hose & spray – black
	45731159	Economy hose & spray – almond
	45731160	Economy hose & spray – white
	45731012	Hose & spray head with 1/4" union nut and nipple connection.
2	40110142	Spray head only – black
	45731007	Spray head only – white
3	45731003	Shampoo spray head only
4	40110200	4 foot replacement hose with universal cplng.
	45731006	4 foot replacement hose with 1/4" union nut and nipple connection.
5	45731014	Adapter coupling nut adapter 1/4"x 1/8"
6	45731002	Hose guide – black
	45731001	Hose guide – white
	45731000	Hose guide – almond



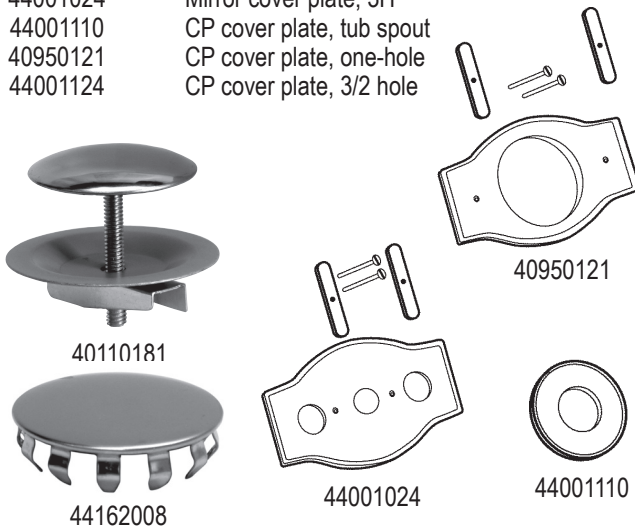
SINK HANGERS

ITEM	PART #	DESCRIPTION
1	34160200	Universal Sink Hanger. Three sizes of notches makes it adaptable for most any style of sink.
2	40110202	Fits most types of basins
3	34160230	China lavatory hanger bracket
4	34160240	Double notch sink hanger - 10" centers



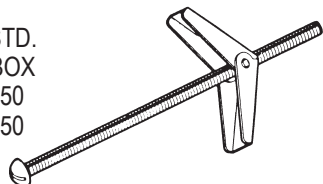
FAUCET HOLE COVER-UP PLATES

ITEM #	DESCRIPTION
44162008	1-1/2 CP Snap-in cover
40110141	2" Bolt style cover
40110181	1-3/4" Bolt style cover
44005010	P/B Faucet hole cover
44001000	Mirror cover plate, 1H
44001010	Mirror cover plate, tub spout
44001023	Mirror cover plate, 2H
44001024	Mirror cover plate, 3H
44001110	CP cover plate, tub spout
40950121	CP cover plate, one-hole
44001124	CP cover plate, 3/2 hole



TOGGLE BOLTS

PART #	SIZE	DRILL SIZE	STD. BOX
50300357	1/8"x 3"	1/2"	50
50300364	1/4"x 3"	3/4"	50



TOTAL MAINTENANCE SOLUTIONS

HOUSTON
800/392-5066

ORLANDO
800/327-3022

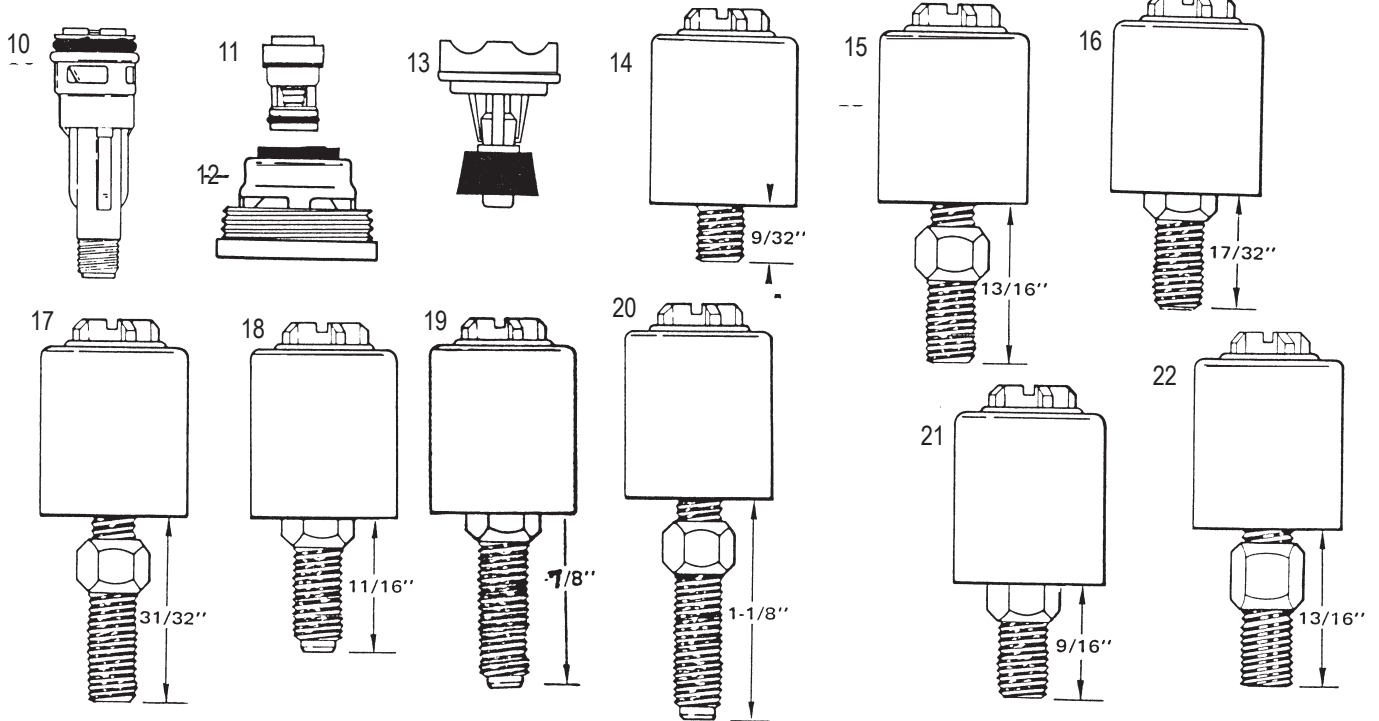
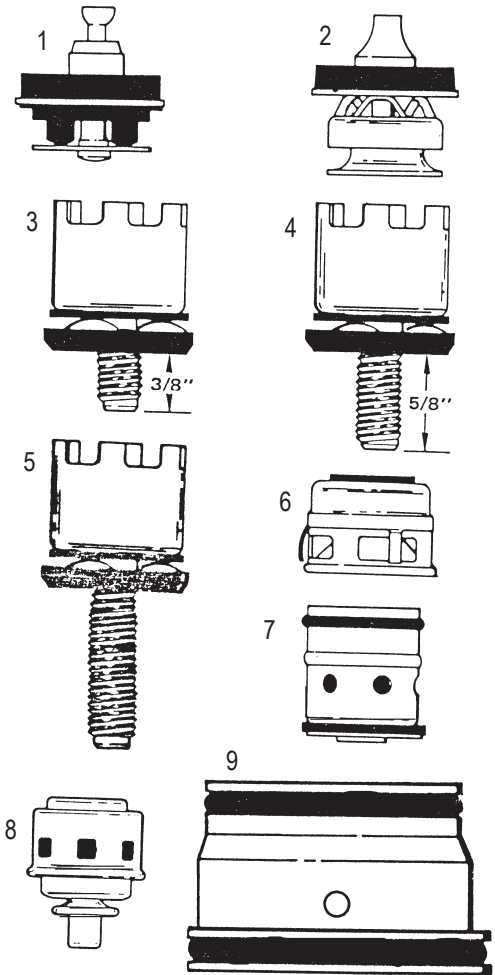
GREENVILLE
800/476-2212

LOOK FOR US ON THE WEB AT: www.TMSSouth.com

FAUCET REPAIR

ITEM	PART #	APPLICATION*
1	45732002	American Kitchen 4203, Briggs 6830, Nibco 86099
2	40130603	Am. Kit. 5275 (plus item 4), Am. Std. 696-17,55275-07 (plus item 4), Central Brass 166E, 166DE (plus item 3), Eljer 4242 (plus item 3), Elkay 13010, Gerber 94-050, Kohler 54904, Sterling S-4904, Union Brass 405 (plus item 4), Wolverine 51862.
3	40130604	Am. Std. 697-17, Central Brass 166D (w/o bottom gasket), Eljer 4242 (plus item 2), Gerber 94-051 (w/ bottom gasket), Kohler 39867.
4	45732026	Am. Kit. 5275 (plus item 2), Am. Std. 55275-07 (plus item 2), Union Brass 405 (plus item 2).
5	45732028	Same as item 4 with longer stem
6	21942380	Valley V7713
7	45732034	Gerber 90-118, Speakman 05-1474.
8	45732022	Am. Std. 69360-07, Kohler 42144.
9	40140146	Moen 91192 (old # 1589)
10	NLA	American Standard 58332-07
	40120406	American Standard 42850-07 (Reliant single lever)
11	40120542	American Standard 13200-07 (Single lever)
12	40130652	Price Pfister 951-111, Elkay A51593
	12890664	Price Pfister Avante single lever - not shown
13	40130125	Delta RP320 (single lever)
	40130158	Delta RP6073 (Delex 2 handle) - not shown
14	40140255	Briggs 6826, Crane FB9609, Harcraft 2601-7, Kohler 39981, Speakman 05-1283, Union Brass 403
15	40140333	Burlington Brass 58-9, Crane FB10974, Kohler 38636.
16	NLA	Kohler 20854, Price Pfister 951-010.
17	45732010	American Standard 12435-07,53828-07, Eljer 8055.
18	45732012	Sayco 207
19	45732014	Various manufacturers
20	45732016	Delta 6073, Elkay 51981, Federal 25-1741, Sterling S-3786, Speakman 05-1584.
21	45732018	Universal Rundle XP5765
22	45732020	Elkay 51486

* The manufacturer shown for each diverter is not complete. Please match your diverter with those shown to ensure the proper replacement.



**TOTAL
MAINTENANCE
SOLUTIONS**

HOUSTON
800/392-5066

ORLANDO
800/327-3022

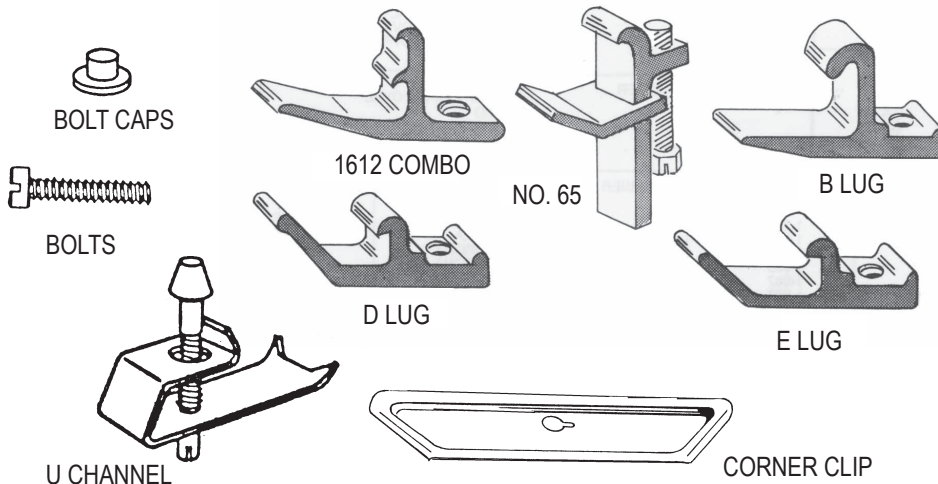
GREENVILLE
800/476-2212

LOOK FOR US ON THE WEB AT: www.TMSSouth.com

FAUCET REPAIR

SINK LUGS

PART #	TYPE OF LUG	COUNTER THICKNESS
40110176	1612 Combo	5/8" to 1-1/8"
34771020	B	7/8" to 1"
34771050	D	3/8" to 1/2"
34771060	E	1/2" to 5/8"
34771062	No. 65	3/4" to 2-3/4"
40110160	U-Channel	N/A

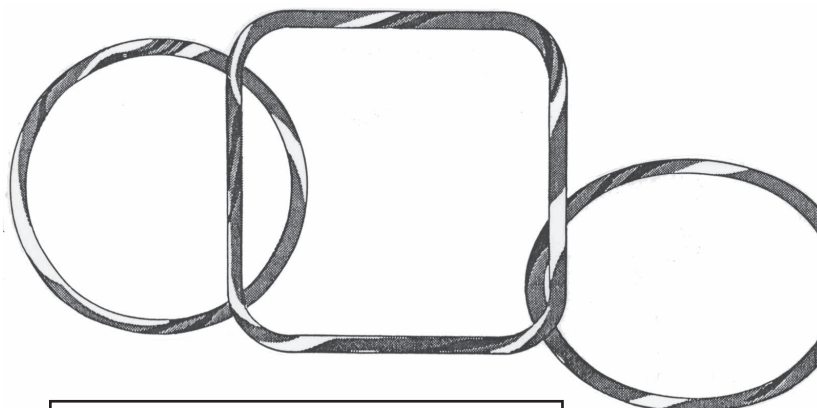


ACCESSORIES

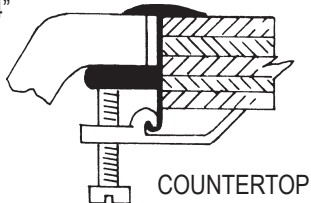
PART #	DESCRIPTION
34771012	Corner clip with bolts
34771000	Bolts for lugs
40110203	Bolt caps

SINK FRAMES

TYPE	PART #	SIZE
A	34771086	21" x 42"
B	34771080	21" x 24"
B	34771082	23" x 24"
B	34771084	21" x 32"
B	34771088	17-7/8" Round
B	34771090	18" Round
B	34771092	16" x 19" Oval
B	34771093	16-1/4" x 19-1/4" Oval
C	34771094	21" x 32" Goof Frame
C	34771096	17-7/8" Round Goof Frame
C	34771098	18" Round Goof Frame
C	34771100	16" x 19" Oval Goof Frame



MAX 3/4" LEDGE



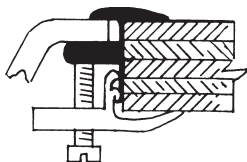
COUNTERTOP
3/4" TO 7/8"

TYPE A

For vitreous china, cast iron, porcelainized steel, or stainless steel bowl with ledges up to 3/4" thick. Comes with E lugs and bolts.

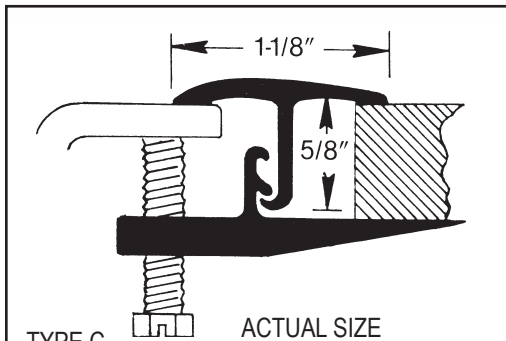
MAX 1/2" LEDGE

COUNTERTOP
3/4" TO 7/8"



TYPE B

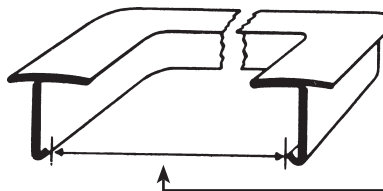
For cast iron, porcelainized steel, or stainless steel bowl with ledges up to 1/2" thick. Comes with 1612 Combo lugs and bolts.



TYPE C

ACTUAL SIZE

Goof Frame corrects cut-out mistakes. Will correct oversized cut-outs up to 3/4". For cast iron, porcelainized steel & stainless steel bowls with ledges up to 1/2" thick.



Measure this dimension for Frame Size



**TOTAL
MAINTENANCE
SOLUTIONS**

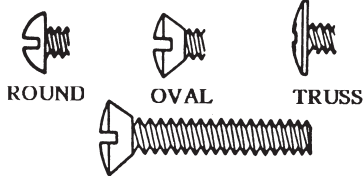
HOUSTON
800/392-5066

ORLANDO
800/327-3022

GREENVILLE
800/476-2212

LOOK FOR US ON THE WEB AT: www.TMSSouth.com

FAUCET REPAIR



CHROME PLATED

FAUCET HANDLE SCREWS

PART #	LENGTH	THRDS	HEAD
50100033	1/2"	8-32	Oval
40121093	1/2"	8-32	Pan
42720140	1"	10-32	Truss
50100003	3/8"	8-32	Oval
50100041	1/2"	8-32	Truss
50100002	7/8"	8-32	Oval
50100000	1/2"	10-24	Truss
42960110	1"	8-32	Truss
50100027	1/2"	10-24	Oval
50100030	3/4"	10-32	Oval
42960080	1"	10-24	Oval
50100043	1-1/2"	10-24	Oval
50100044	2"	10-24	Oval
42960105	2-1/2"	10-24	Oval
50100032	1"	10-24	Round
50100007	3/8"	10-32	Round
42960130	1"	10-32	Oval
50100028	3/4"	10-24	Oval

HANDLE SCREW ASSORTMENT KIT

Contains 150 pieces, 12 sizes.
PART # 50100039



BRASS BIBB SCREWS

PART #	LENGTH	THRDS	HEAD
50100008	1/4"	8-32	#8
50100009	1/2"	8-32	#8
50100010	3/8"	10-24	#8
50100034	1/2"	10-24	#8
50100011	3/8"	8-32	#7
42720270	3/8"	10-28	#8
42720280	1/2"	10-28	#8
50100012	3/8"	10-32	#8
50100013	1/2"	10-32	#8
50100014	3/8"	6-32	#6
50100015	1/2"	6-32	#6

155 PIECE, 12 SIZES ASSORTMENT.
PART # 42720330

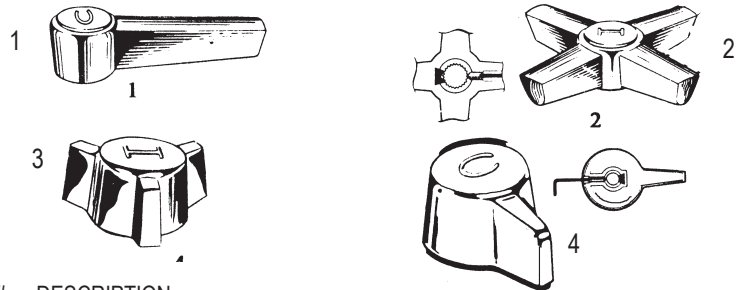


SELF-LOCKING BIBB SCREWS — MONEL

PART #	LENGTH	THRDS	HEAD
50100018	3/8"	10-24	#8
50100019	1/2"	10-24	#8
42720362	3/8"	10-28	#8
42720364	1/2"	10-28	#8
50100020	3/8"	8-32	#8
50100021	1/2"	8-32	#8
42720390	3/8"	10-32	#8
50100023	1/2"	10-32	#8

215 PIECE, 3/8", 1/2" X 10-24
ASSORTMENT WITH TAP.
PART # 42720375

FIT-ALL REPLACEMENT HANDLES (SET SCREW TYPE)



ITEM	PART #	DESCRIPTION
1	34160100	Lever type handle (pair)
2	34160110	Cross type handle (pair)
3	34160130	Cross type canopy handle (pair)
4	34160140	Lever type canopy handle (pair)

"TWIN -GRIP" FIT-ALL HANDLES



ITEM	PART #	DESCRIPTION
1	34730100	Lever type handle (pair)
2	34730110	Cross type handle (pair)

Did You Know?

Water expands by 9% when it freezes. Frozen water (ice) is lighter than water, which is why ice floats in water.



TOTAL MAINTENANCE SOLUTIONS

HOUSTON
800/392-5066

ORLANDO
800/327-3022

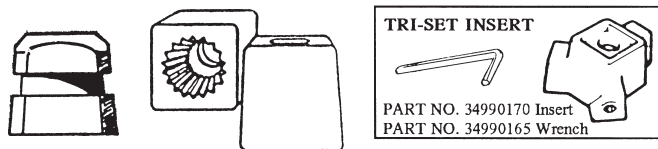
GREENVILLE
800/476-2212

LOOK FOR US ON THE WEB AT: www.TMSSouth.com

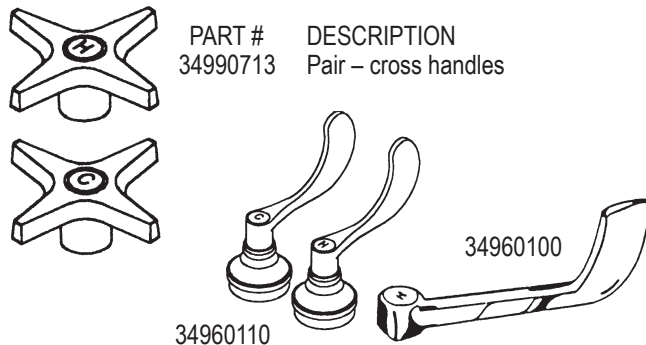
FAUCET REPAIR

HANDLE BUSHINGS (INSERTS)

BRASS PART #	CELCON PART #	INSERT #	FAUCET MANUFACTURER
34511000	34991000	1-1	Small Crane – Dialese, Michigan Brass
40110137	34991010	1-2	Price Pfister
34511030	34991030	1-4	American Standard 7/16" (Aquaseal)
34511400		5-1	American Standard w/ extension (Aquaseal)
34511040	34991040	1-5	Sterling-Rockwell
34511050		1-6	Central, Eljer, Burlington
34511060	34991060	1-7	Kohler
34511070	34991070	1-8	American Standard 3/8" – old style
34511080		1-12	Harcraft
34511090	34991090	1-13	Savoy, Wolverine
34511100	34991100	2-1	American Standard 9/16" (Aquaseal)
	34991110	2-2	Youngstown
34511130	34991130	2-4	Speakman, T&S
34511140	34991140	2-5	Price Pfister, Grand Haven, Harcraft, Crane, Repeal
		2-6	American Standard Colony, Kohler Trend (shoreham)
34511150			
	34991160	3-1	Small Crane-Repeal
34511170	34991170	3-2	Sayco, Gerber
34511180	34991180	3-3	Union, Richmond, Indiana, Briggs, Belvedere
34511190	34991190	3-4	Dick Bros., Central, Eljer, Milwaukee
	34991200	3-5	Michigan Brass, Wolverine (new style)
34511210	34991210	3-7	American Brass, Steamway, Nibco, Indiana
		3-9	Harcraft
34511220			
34511230	34991230	3-10	Universal Rundle, Bradley, Sears, Elkay, Milwaukee
	34991240	3-11	Michigan Brass (old style)
	34991250	3-12	Chicago
	34991260	3-17	Sterling-Cleveland
	34991270	4-1	Peerless
34511540	34991280	4-2	Delta, Valley, Nibco
34511500	34991290	4-3	Bradley, J.P.I.
	34991300	4-4	Moen, Standadyne, Tub/shwr.
34511520	34991310	4-5	Moen, Standadyne, Lav.
	34991320	4-6	Price Pfister, (Avanti)
34511510	34991400	5-1	Delta (Delex)
	34991410	5-2	Valley II
	34991430	5-4	Milwaukee, Sears Best
34511270			Fit-all self tapping

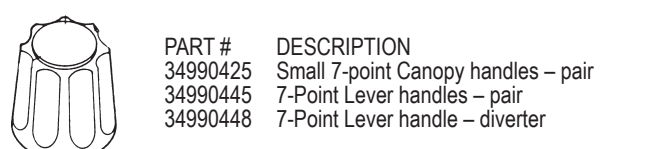


FIT-ALL REPLACEMENT HANDLES (FOR USE WITH BRASS OR CELCON BUSHINGS)



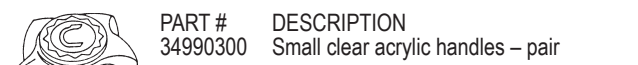
PART # DESCRIPTION
34990713 Pair – cross handles

PART # DESCRIPTION
34960100 Pair of 4" wrist handles-Hot & Cold index less screws and bushings
34960110 Wrist handle

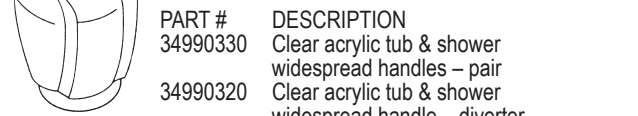


PART # DESCRIPTION
34990425 Small 7-point Canopy handles – pair
34990445 7-Point Lever handles – pair
34990448 7-Point Lever handle – diverter

CANOPY



PART # DESCRIPTION
34990300 Small clear acrylic handles – pair



PART # DESCRIPTION
34990330 Clear acrylic tub & shower widespread handles – pair



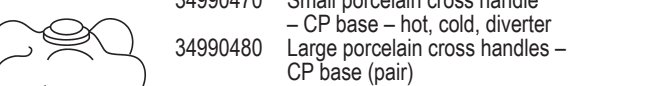
PART # DESCRIPTION
34990320 Clear acrylic tub & shower widespread handle – diverter



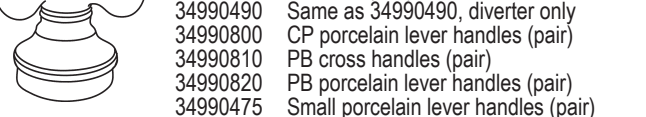
PART # DESCRIPTION
34990335 Clear acrylic tub & shower widespread handles – long broach – pair



PART # DESCRIPTION
34990460 Small porcelain cross handles – CP base (pair)



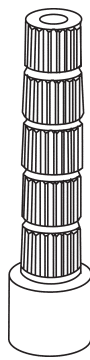
PART # DESCRIPTION
34990470 Small porcelain cross handle – CP base – hot, cold, diverter
34990480 Large porcelain cross handles – CP base (pair)



PART # DESCRIPTION
34990490 Same as 34990490, diverter only
34990800 CP porcelain lever handles (pair)
34990810 PB cross handles (pair)
34990820 PB porcelain lever handles (pair)
34990475 Small porcelain lever handles (pair)

STEM EXTENDERS

PART #	INSERT #	DESCRIPTION
34511999	1-1	Crane, Repeal
34512000	1-2	Price Pfister, Harcraft
34512005	1-4	American Standard 7-1/6"
34512010	1-5	Sterling
34512020	1-6	Central, Kohler (Trend)
34512030	1-7	Kohler
40110140	2-3	Sayco, Gerber
34512038	3-3	Briggs, Union Brass
34512040	3-7	American Brass, Streamway



HOUSTON
800/392-5066

ORLANDO
800/327-3022

GREENVILLE
800/476-2212

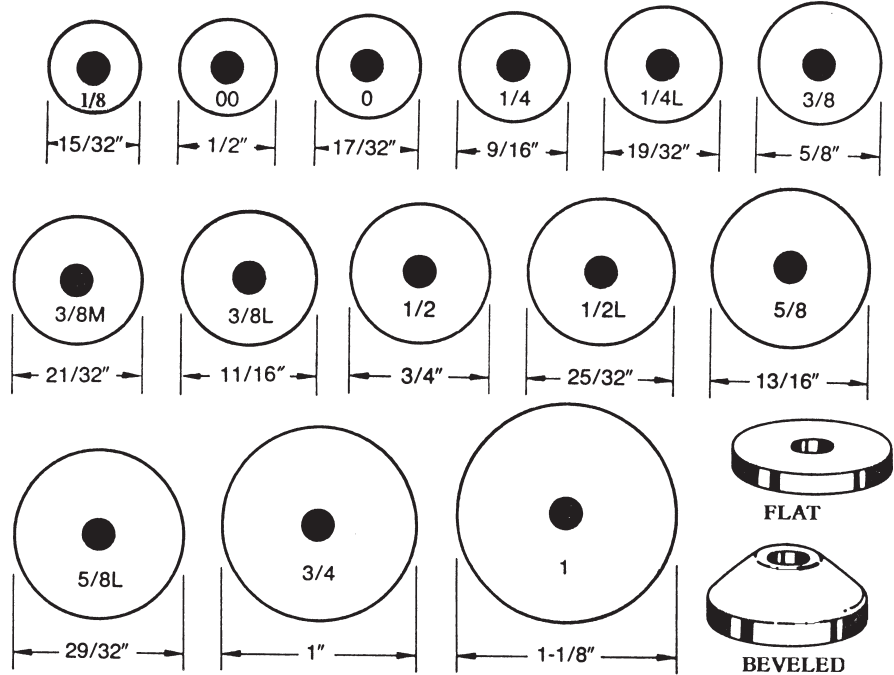
LOOK FOR US ON THE WEB AT: www.TMSSouth.com

FAUCET REPAIR

NEOPRENE FAUCET WASHERS

FLAT PART #	BEV. PART #	TRADE SIZE	ACTUAL DIAMETER
40110177	42691000	1/8	15/32"
40110118	40110128	00	1/2"
40110094	42691020	0	17/32"
41010119	40110129	1/4	9/16"
40110163	40110168	1/4L	19/32"
40110162	40110139	3/8	5/8"
40700145	42691060	3/8M	21/32"
40110136	42691070	3/8L	11/16"
40110204	40300331	1/2	3/4"
42690190	42691090	1/2L	25/32"
40110127	42691100	5/8	13/16"
40110205		3/4	1"
42690215	42691110	1	1-1/8"

FAUCET WASHERS (ACTUAL SIZE)



COMPOUND FIBRE WASHERS "TEFLON WASHERS"

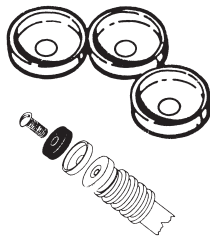
FLAT PART #	TRADE SIZE	ACTUAL DIAMETER
40110169	00	1/2"
40110148	0	17/32"
40110178	1/4	9/16"
40110170	1/4L	19/32"
40110179	3/8	5/8"

BRASS RETAINER CUPS

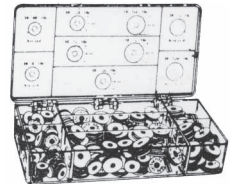
PART #	WASHER SIZE
50100042	00
50100045	0
42720430	1/4
42720440	1/4L
42720450	3/8
42720460	3/8M
42720470	3/8L



PART #	DESCRIPTION
42720500	200 Flat Fibre washer assortment, 9 sizes
42720520	200 Beveled washer assortment
50100045	200 Flat washer assortment
42720540	200 Combination Beveled & Flat washer assort.

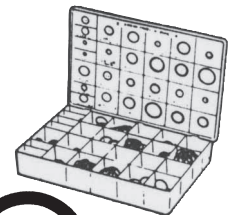
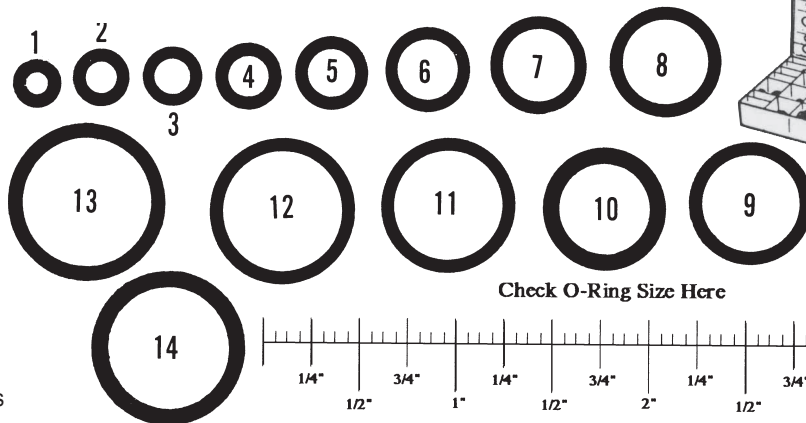


PART #	DESCRIPTION
50100040	Small Flat washer assortment. Sizes 00-1/4L, 17 washers & 4 bibb screws.
42720570	Small Beveled washer assortment. Sizes 00-1/4L, 17 washers & 4 bibb screws.



ITEM	PART #	O.D	I.D	THICK
1	40950095	1/4"	1/8"	1/16"
2	40950016	9/32"	5/32"	1/16"
3	40950017	5/16"	3/16"	1/16"
4	40950018	11/32"	7/32"	1/16"
5	40950019	3/8"	1/4"	1/16"
6	40950020	7/16"	5/16"	1/16"
7	40950021	1/2"	3/8"	1/16"
8	40950047	9/16"	7/16"	1/16"
9	40950035	5/8"	1/2"	1/16"
10	40950106	5/8"	33/64"	3/64"
11	40950041	11/16"	9/16"	1/16"
12	40950049	3/4"	5/8"	1/16"
13	40950027	13/16"	11/16"	1/16"
14	40950109	51/64"	41/64"	5/64"

O-RINGS 1/16" (ACTUAL SIZE)



O-RING ASSORTMENTS

PART #	DESCRIPTION
41001400	200 O-Ring Assortment - 14 Sizes
40950113	84 O-Ring Assortment - 42 Sizes



TOTAL MAINTENANCE SOLUTIONS

HOUSTON
800/392-5066

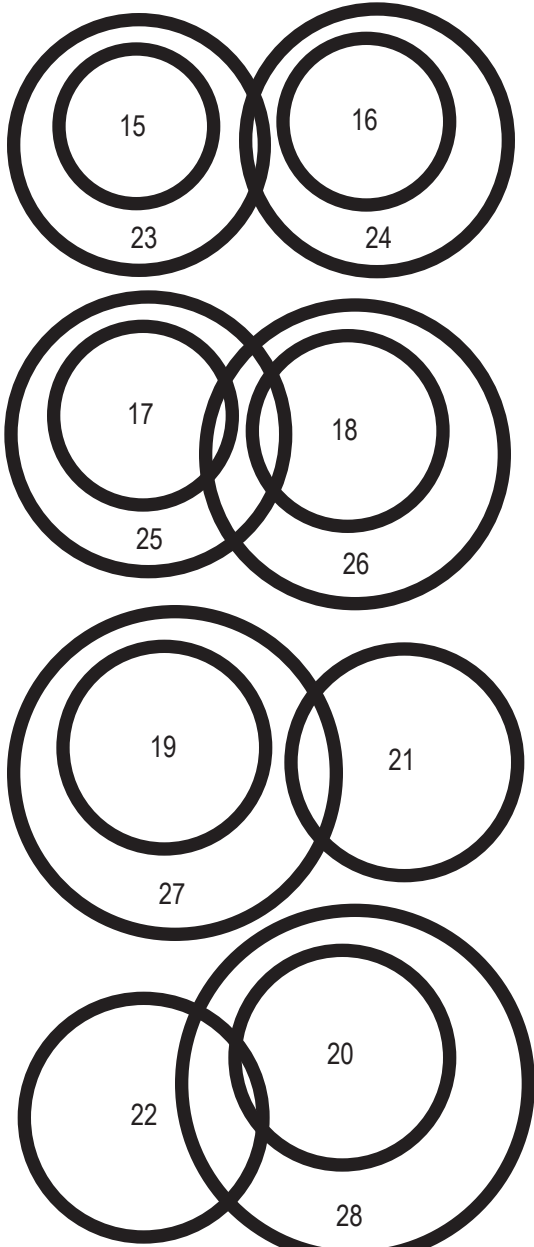
ORLANDO
800/327-3022

GREENVILLE
800/476-2212

LOOK FOR US ON THE WEB AT: www.TMSSouth.com

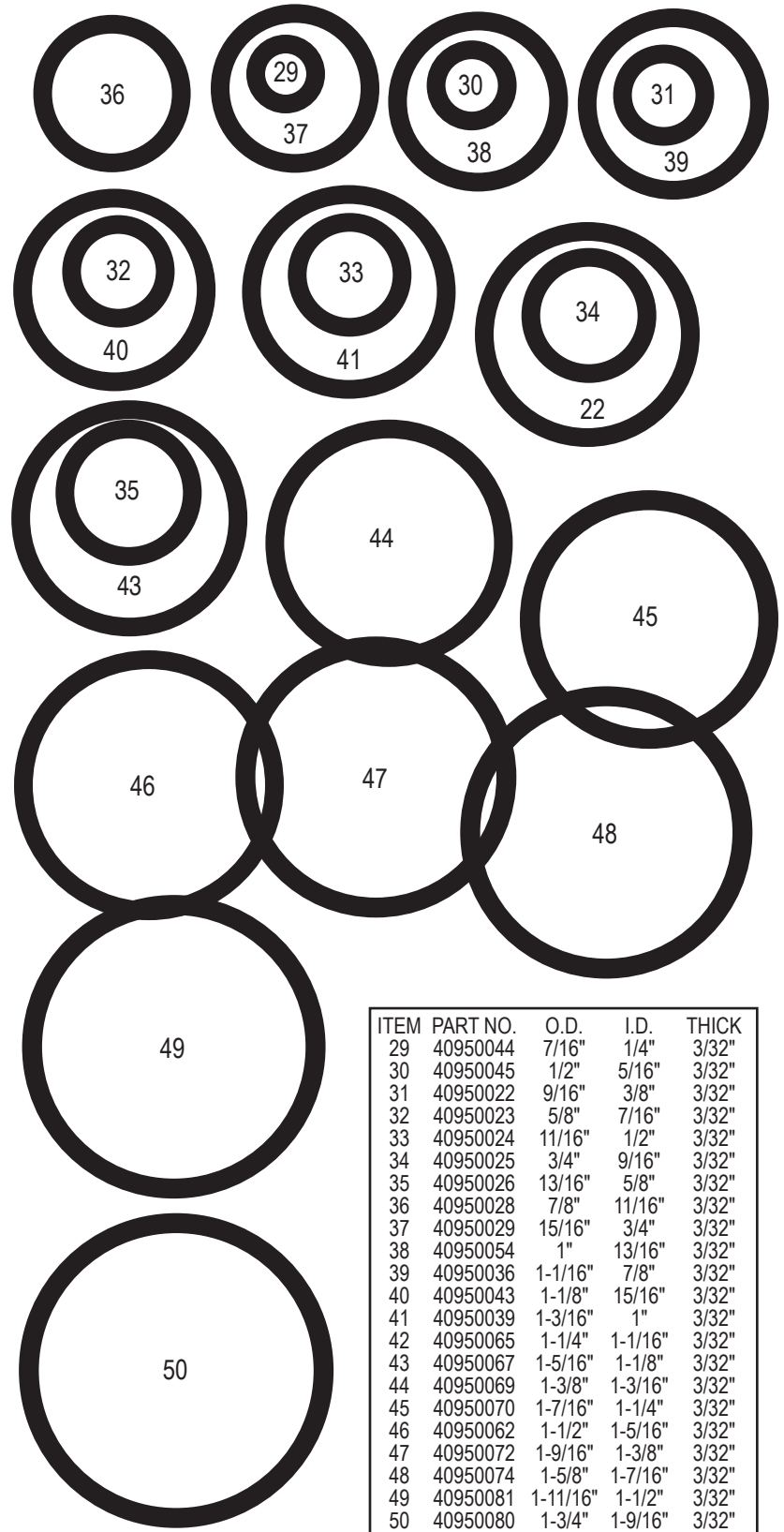
FAUCET REPAIR

O-RINGS 1/16 (ACTUAL SIZE) – CONT.



ITEM	PART #	O.D.	I.D.	THICK
15	40950038	7/8"	3/4"	1/16"
16	40950052	15/16"	13/16"	1/16"
17	40950053	1"	7/8"	1/16"
18	40950037	1-1/16"	15/16"	1/16"
19	40950055	1-1/8"	1"	1/16"
20	40950040	1-3/16"	1-1/16"	1/16"
21	40950064	1-1/4"	1-1/8"	1/16"
22	40950066	1-5/16"	1-3/16"	1/16"
23	40950068	1-3/8"	1-1/4"	1/16"
24	40950063	1-7/16"	1-5/16"	1/16"
25	40950071	1-1/2"	1-3/8"	1/16"
26	40950073	1-5/8"	1-1/2"	1/16"
27	40950079	1-3/4"	1-5/8"	1/16"
28	40950082	1-7/8"	1-3/4"	1/16"

O-RINGS 3/32" (ACTUAL SIZE)



ITEM	PART NO.	O.D.	I.D.	THICK
29	40950044	7/16"	1/4"	3/32"
30	40950045	1/2"	5/16"	3/32"
31	40950022	9/16"	3/8"	3/32"
32	40950023	5/8"	7/16"	3/32"
33	40950024	11/16"	1/2"	3/32"
34	40950025	3/4"	9/16"	3/32"
35	40950026	13/16"	5/8"	3/32"
36	40950028	7/8"	11/16"	3/32"
37	40950029	15/16"	3/4"	3/32"
38	40950054	1"	13/16"	3/32"
39	40950036	1-1/16"	7/8"	3/32"
40	40950043	1-1/8"	15/16"	3/32"
41	40950039	1-3/16"	1"	3/32"
42	40950065	1-1/4"	1-1/16"	3/32"
43	40950067	1-5/16"	1-1/8"	3/32"
44	40950069	1-3/8"	1-3/16"	3/32"
45	40950070	1-7/16"	1-1/4"	3/32"
46	40950062	1-1/2"	1-5/16"	3/32"
47	40950072	1-9/16"	1-3/8"	3/32"
48	40950074	1-5/8"	1-7/16"	3/32"
49	40950081	1-11/16"	1-1/2"	3/32"
50	40950080	1-3/4"	1-9/16"	3/32"



**TOTAL
MAINTENANCE
SOLUTIONS**

HOUSTON
800/392-5066

ORLANDO
800/327-3022

GREENVILLE
800/476-2212

LOOK FOR US ON THE WEB AT: www.TMSSouth.com

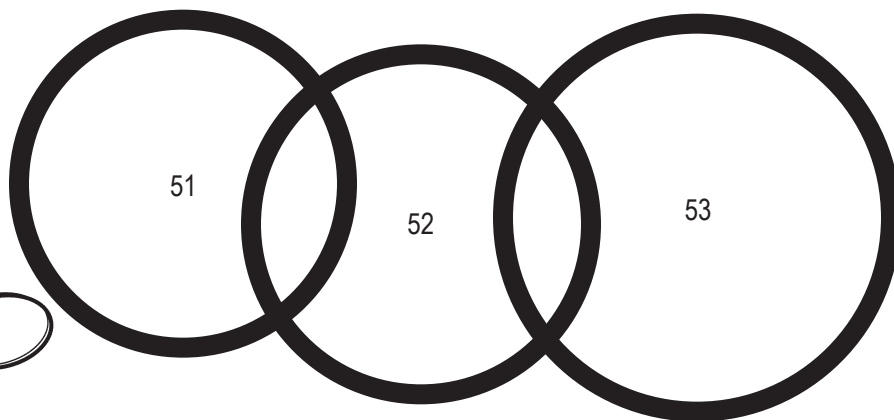
FAUCET REPAIR

O-RINGS 3/32" - CONTINUED

ITEM	PART #	O.D.	I.D.	THICK
51	41001067	1-13/16"	1-5/8"	3/32"
52	40950083	1-7/8"	1-11/16"	3/32"
*	40950089	2-1/16"	1-7/8"	3/32"
53	40950091	2-1/8"	1-15/16"	3/32"
*	41001082	2-3/16"	2"	3/32"
*	41001140	2-7/16"	2-1/4"	3/32"

* Not shown

O-RING PICK
PART # 64001412

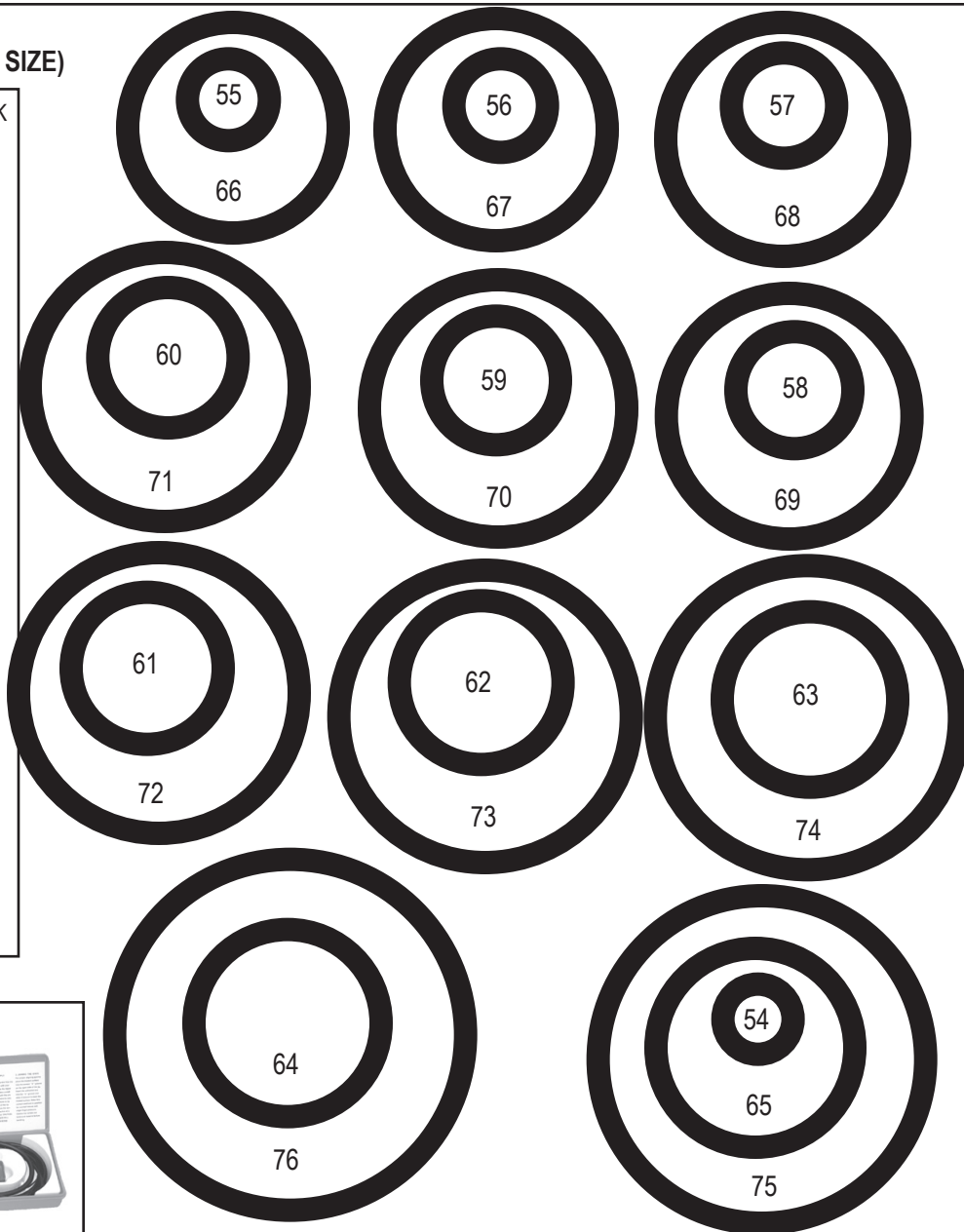


O-RINGS 1/8" - 3/16" (ACTUAL SIZE)

ITEM	PART #	O.D.	I.D.	THICK
54	40950046	1/2"	1/4"	1/8"
55	40950034	9/16"	5/16"	1/8"
56	41001068	5/8"	3/8"	1/8"
57	40950048	11/16"	7/16"	1/8"
58	40950050	3/4"	1/2"	1/8"
59	41001070	13/16"	9/16"	1/8"
60	40950051	7/8"	5/8"	1/8"
61	41001072	15/16"	11/16"	1/8"
62	40950030	1"	3/4"	1/8"
63	40950031	1-1/16"	13/16"	1/8"
64	40950032	1-1/8"	7/8"	1/8"
65	40950033	1-3/16"	15/16"	1/8"
66	40300014	1-1/4"	1"	1/8"
67	40950057	1-5/16"	1-1/16"	1/8"
68	40950058	1-3/8"	1-1/8"	1/8"
69	40950059	1-7/16"	1-3/16"	1/8"
70	40950060	1-1/2"	1-1/4"	1/8"
71	40950061	1-9/16"	1-5/16"	1/8"
72	40950075	1-5/8"	1-3/8"	1/8"
73	40950076	1-11/16"	1-7/16"	1/8"
74	40950077	1-3/4"	1-1/2"	1/8"
75	40950084	1-7/8"	1-5/8"	1/8"
76	40950088	2"	1-3/4"	1/8"
*	41001335	2-9/64"	2"	1/8"
*	41001228	2-1/2"	2-1/4"	1/8"
*	41001231	2-7/8"	2-5/8"	1/8"
*	41001235	3-3/8"	3-1/8"	1/8"
*	41001334	22/32"	15/32"	9/64"
*	41001309	13/16"	7/16"	3/16"
*	41001031	2-1/8"	1-3/4"	3/16"
*	41001328	2-1/4"	1-7/8"	3/16"
*	41001329	2-3/8"	2"	3/16"
*	41001331	2-5/8"	2-1/4"	3/16"
*	41001332	2-3/4"	2-3/8"	3/16"
*	41001333	2-7/8"	2-1/2"	3/16"

* Not shown

O-RING SPLICING KIT
PART # 41001631



**TOTAL
MAINTENANCE
SOLUTIONS**

HOUSTON
800/392-5066

ORLANDO
800/327-3022

GREENVILLE
800/476-2212

LOOK FOR US ON THE WEB AT: www.TMSSouth.com

FAUCET REPAIR

AMERICAN STANDARD TUB & SHOWER TRIM KITS

3-HANDLE KIT (INCLUDES ALL PARTS SHOWN)
PART # 40120639



2-HANDLE KIT (INCLUDES ALL PARTS SHOWN)
PART # 40120651



3-HANDLE JUNIOR KIT (INCLUDES ALL PARTS SHOWN)
PART # 40120640



2-HANDLE JUNIOR KIT (INCLUDES ALL PARTS SHOWN)
PART # 40120638



**TOTAL
MAINTENANCE
SOLUTIONS**

HOUSTON
800/392-5066

ORLANDO
800/327-3022

GREENVILLE
800/476-2212

LOOK FOR US ON THE WEB AT: www.TMSSouth.com

FAUCET REPAIR

CENTRAL BRASS TUB & SHOWER TRIM KITS

3-HANDLE KIT (INCLUDES ALL PARTS SHOWN)
PART # 40120641



2-HANDLE KIT (INCLUDES ALL PARTS SHOWN)
PART # 40120649



3-HANDLE JUNIOR KIT (INCLUDES ALL PARTS SHOWN)
PART # 40120642



2-HANDLE JUNIOR KIT (INCLUDES ALL PARTS SHOWN)
PART # 40120650



FAUCET REPAIR

GERBER TUB & SHOWER TRIM KITS

3-HANDLE KIT (INCLUDES ALL PARTS SHOWN)
PART # 40130183



2-HANDLE KIT (INCLUDES ALL PARTS SHOWN)
PART # 401300190



3-HANDLE JUNIOR KIT (INCLUDES ALL PARTS SHOWN)
PART # 401300184



2-HANDLE JUNIOR KIT (INCLUDES ALL PARTS SHOWN)
PART # 401300182



**TOTAL
MAINTENANCE
SOLUTIONS**

HOUSTON
800/392-5066

ORLANDO
800/327-3022

GREENVILLE
800/476-2212

LOOK FOR US ON THE WEB AT: www.TMSSouth.com

FAUCET REPAIR

GERBER TUB & SHOWER TRIM KITS

**3-HANDLE KIT
(INCLUDES ALL PARTS SHOWN)
PART # 40130191**



**2-HANDLE KIT (INCLUDES ALL PARTS SHOWN)
PART # 40130192**



**3-HANDLE JUNIOR KIT (INCLUDES ALL PARTS SHOWN)
PART # 40130028**



**2-HANDLE JUNIOR KIT (INCLUDES ALL PARTS SHOWN)
PART # 40130193**



**TOTAL
MAINTENANCE
SOLUTIONS**

HOUSTON
800/392-5066

ORLANDO
800/327-3022

GREENVILLE
800/476-2212

LOOK FOR US ON THE WEB AT: www.TMSSouth.com

FAUCET REPAIR

PRICE PFISTER TUB & SHOWER TRIM KITS

3-HANDLE KIT (INCLUDES ALL PARTS SHOWN)
PART # 40150170



2-HANDLE KIT (INCLUDES ALL PARTS SHOWN)
PART # 40150006



3-HANDLE JUNIOR KIT (INCLUDES ALL PARTS SHOWN)
PART # 40150171



2-HANDLE JUNIOR KIT (INCLUDES ALL PARTS SHOWN)
PART # 40150169



**TOTAL
MAINTENANCE
SOLUTIONS**

HOUSTON
800/392-5066

ORLANDO
800/327-3022

GREENVILLE
800/476-2212

LOOK FOR US ON THE WEB AT: www.TMSSouth.com

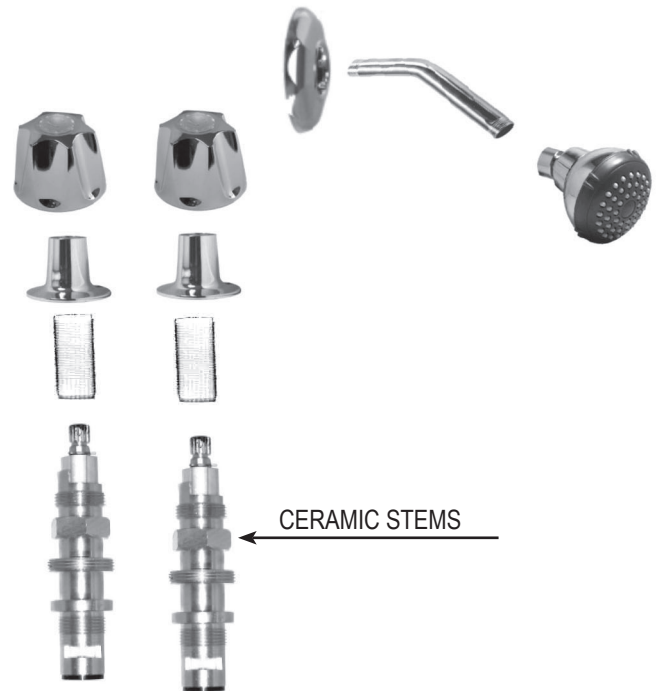
FAUCET REPAIR

PRICE PFISTER TUB & SHOWER TRIM KITS

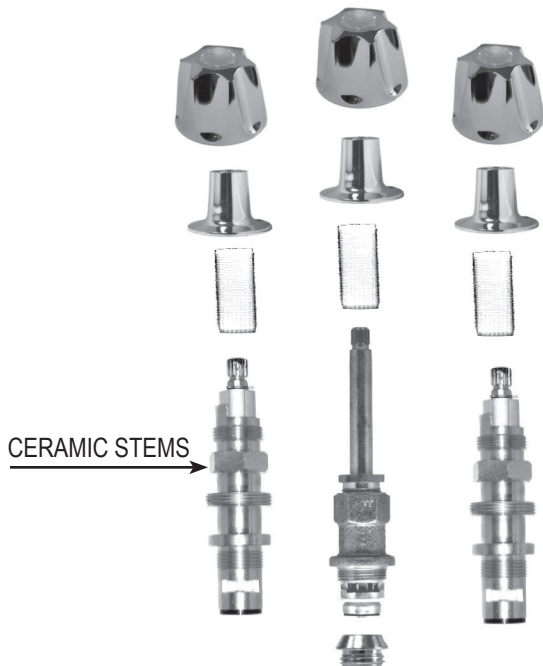
3-HANDLE KIT (INCLUDES ALL PARTS SHOWN)
PART # 40150039



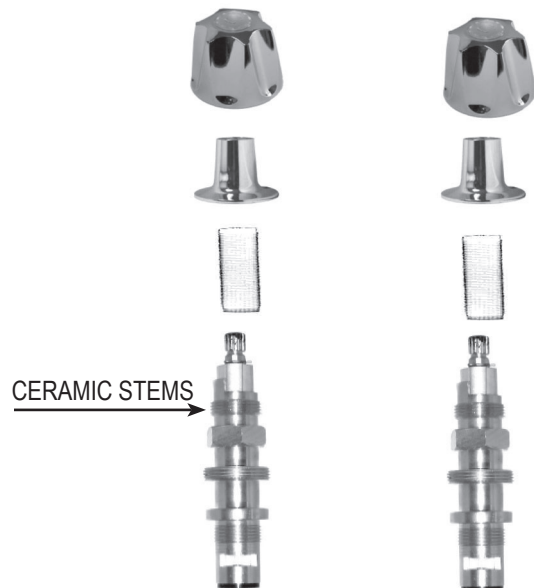
2-HANDLE KIT (INCLUDES ALL PARTS SHOWN)
PART # 40150041



3-HANDLE JUNIOR KIT (INCLUDES ALL PARTS SHOWN)
PART # 40150044



2-HANDLE JUNIOR KIT (INCLUDES ALL PARTS SHOWN)
PART # 40170172



**TOTAL
MAINTENANCE
SOLUTIONS**

HOUSTON
800/392-5066

ORLANDO
800/327-3022

GREENVILLE
800/476-2212

LOOK FOR US ON THE WEB AT: www.TMSSouth.com

FAUCET REPAIR

SAYCO TUB & SHOWER TRIM KITS

3-HANDLE KIT (INCLUDES ALL PARTS SHOWN)
PART # 40150174



2-HANDLE KIT (INCLUDES ALL PARTS SHOWN)
PART # 40150009



3-HANDLE JUNIOR KIT (INCLUDES ALL PARTS SHOWN)
PART # 40150175



2-HANDLE JUNIOR KIT (INCLUDES ALL PARTS SHOWN)
PART # 40150173



**TOTAL
MAINTENANCE
SOLUTIONS**

HOUSTON
800/392-5066

ORLANDO
800/327-3022

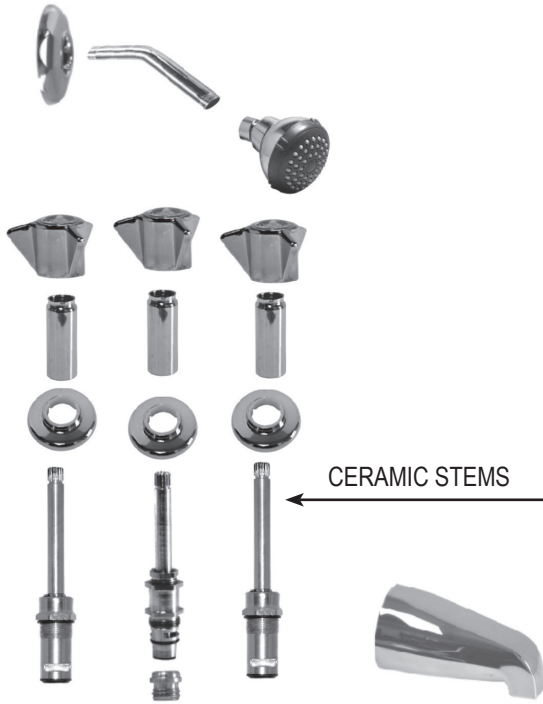
GREENVILLE
800/476-2212

LOOK FOR US ON THE WEB AT: www.TMSSouth.com

FAUCET REPAIR

SAYCO TUB & SHOWER TRIM KITS

3-HANDLE KIT (INCLUDES ALL PARTS SHOWN)
PART # 40150019



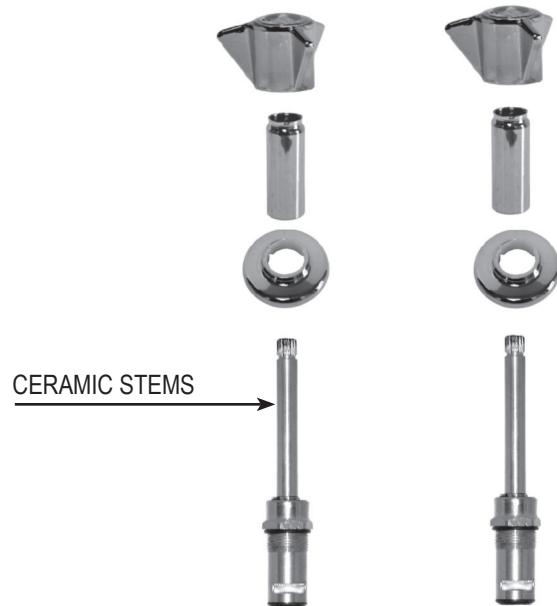
2-HANDLE KIT (INCLUDES ALL PARTS SHOWN)
PART # 40150024



3-HANDLE JUNIOR KIT (INCLUDES ALL PARTS SHOWN)
PART # 40150028



2-HANDLE JUNIOR KIT (INCLUDES ALL PARTS SHOWN)
PART # 40151184



**TOTAL
MAINTENANCE
SOLUTIONS**

HOUSTON
800/392-5066

ORLANDO
800/327-3022

GREENVILLE
800/476-2212

LOOK FOR US ON THE WEB AT: www.TMSSouth.com

FAUCET REPAIR

STERLING FAUCET TUB & SHOWER TRIM KITS

3-HANDLE KIT (INCLUDES ALL PARTS SHOWN)
PART # 40151185



2-HANDLE KIT (INCLUDES ALL PARTS SHOWN)
PART # 40167385



3-HANDLE JUNIOR KIT (INCLUDES ALL PARTS SHOWN)
PART # 40151183



2-HANDLE JUNIOR KIT (INCLUDES ALL PARTS SHOWN)
PART # 40150042



**TOTAL
MAINTENANCE
SOLUTIONS**

HOUSTON
800/392-5066

ORLANDO
800/327-3022

GREENVILLE
800/476-2212

LOOK FOR US ON THE WEB AT: www.TMSSouth.com

FOOD SERVICE

ROTARY DRAINS: FOR 3-1/2" SINK OPENING, 1-1/2" OR 2" WASTE OUTLET

QUIK-FLO ROTARY DRAIN FOR 3-1/2 SINK OPENING, NICKEL PLATED BRASS AND STAINLESS – 1-1/2 OR 2" WASTE OUTLET

- Heavy-duty nickel plated solid brass
- Patented rotary valve provides fast, unobstructed water evacuation
- Twist-lock recessed removable beehive crumb-cup prevents clogging and insures continuous water flow
- Self-adjusting heat and chemical resistant Teflon® seals eliminate costly replacement of O-rings and conventional gaskets
- 3 times the flow rate of conventional lever drains
- Fits standard 3-1/2" (90 mm) sink opening
- Full opening ball valve allows access for snaking or plunging from sink top, eliminating costly service calls



Quik-Flo Rotary Drain, Nickel Plated Brass
PART # 40451230

ABS PLASTIC ROTARY DRAIN

PART # 53107098
(Drain assembly)
PART # 53101000
(Overflow assembly)



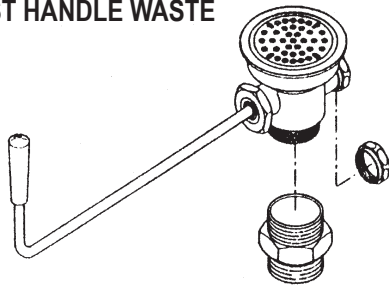
SOLID STAINLESS STEEL DRAIN

PART # 40800583

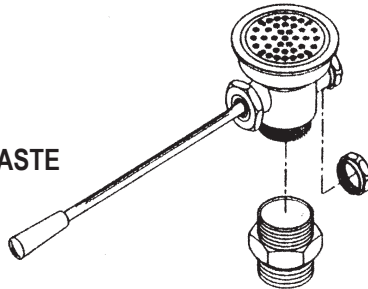
OVERFLOW ASSEMBLY FOR S/S OR NICKEL BRASS DRAIN

PART # 40451231

TWIST HANDLE WASTE



LEVER HANDLE WASTE

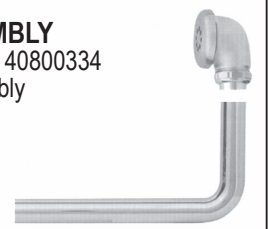


SINK OPENING	IPS	FACE FLANGE DIA.	PART #
3-1/2"	2" OR 1-1/2"	4-1/2"	40451003
3-1/2"	2" OR 1-1/2"	4-1/2"	40800493

DESCRIPTION
Twist handle waste with 1-1.4" overflow outlet OR seal cap when overflow tube is not installed
Lever handle waste with 1-1.4" overflow outlet OR seal cap when overflow tube is not installed

OVERFLOW ASSEMBLY

Overflow tube PART # 40800334
Overflow elbow assembly PART # 40451013



COMPLETE DRAIN ASSEMBLIES

SINK OPENING DIAMETER	IPS	FACE FLANGE DIAMETER	PART #	DESCRIPTION
3"	1-1/2"	4"	40451002	Lever handle waste with flat strainer
3-1/2"	1-1/2"	4-1/2"	53487300	Lever handle waste with flat strainer
3-1/2"	2"	4-1/2"	40451011	Lever handle waste with flat strainer
3-1/2"	2"	4-1/2"	53487410	Lever handle waste w/ flat strainer & overflow
3"	2"		40451015	Twist handle waste w/ overflow assembly
3-1/2"	1-1/2"	4-1/2"	40451010	Twist handle waste with flat strainer
3-1/2"	2"	4-1/2"	40451000	Twist handle waste with flat strainer



HOUSTON
800/392-5066

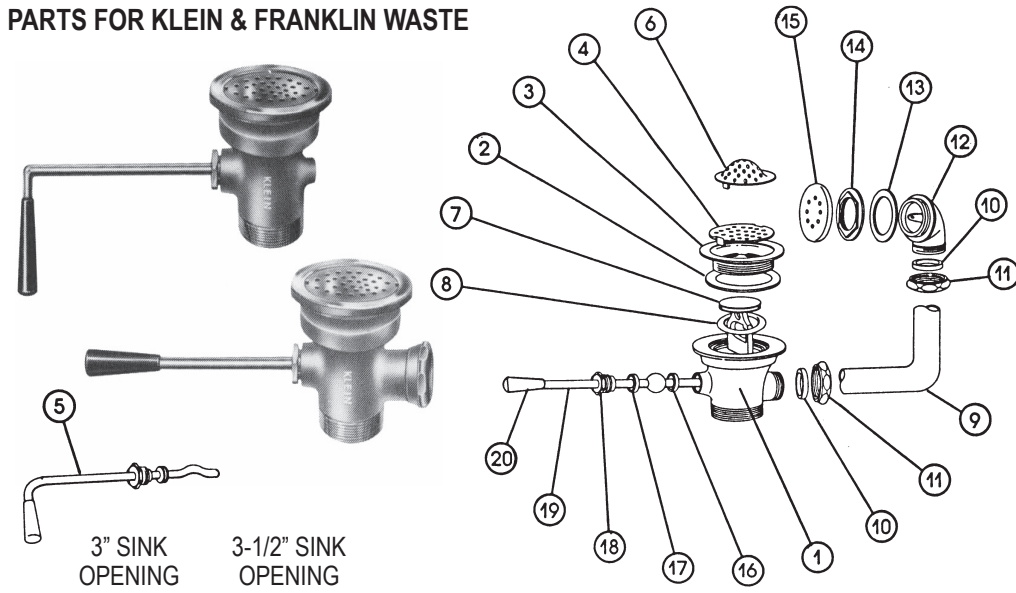
ORLANDO
800/327-3022

GREENVILLE
800/476-2212

LOOK FOR US ON THE WEB AT: www.TMSSouth.com

FOOD SERVICE

PARTS FOR KLEIN & FRANKLIN WASTE



ITEM	3" SINK OPENING PART #	3-1/2" SINK OPENING PART #	DESCRIPTION
1			1-1/2" waste outlet body w/o overflow 2" waste outlet body w/o overflow
2	40800635	40800337	Head gasket
3	40451200	40451201	Face flange kit contains items, 2, 3, & 4
4	40451202	40800332	Flat strainer-stainless steel
5	40451008	40451008	Complete S/S handle assy – twist type
6	53291107	53291034	Beehive strainer – stainless steel
7	40451009	40451009	Stem valve
8	40950127	40950127	Stopper O-Ring
9	40800334	40800334	One piece overflow elbow
10	40950003	40950003	S.J. Washer
11	40800031	40800031	S.J. Nut
10-15	40451013	40451013	Overflow kit for 1-1/4" tubing
13	40451203	40451203	Gasket
14	40451204	40451204	Flanged locknut
15	40451205	40451205	Stainless steel strainer for overflow
16	40451206	40451206	Body bushing – lever model
17	40451014	40451014	Packing nut bushing – lever model
18	40451207	40451207	Packing nut, lever model
19	40451005	40451005	Complete lever handle assembly
20	40451208	40451208	Phenolic handle only-lever model
21	40451001	40451001	New style waste repair kit-3" or 3-1/2" (Contains items 2, 4, 16, 17, o-ring (8), clip and metal washer for twist handle.

STRAINER LOCKS

Prevents loss of Snap-in strainers
All stainless steel



PART # 40451209
Fits 3-7/16" diameter

PART # 40451210
Fits 3-1/8" diameter

Installs in seconds: simply drop the bar into the slot in the top ring and twist. Snap in strainer and insert screw.



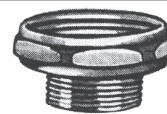
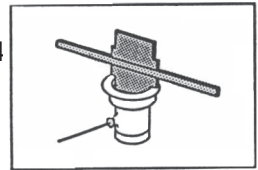
Supplied with standard and vandal-proof screws.



COMMERCIAL WASTE TOOL

For removal of face flange on either lever or twist handle waste. Heavy duty stainless steel construction. One side used on 3" sink opening waste and the other side for 3-1/2" sink opening.

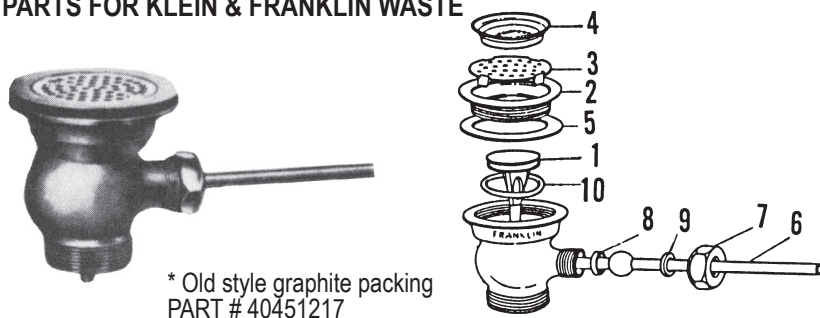
PART # 20401014



Reducer

2" NPS female to 1-1/2" NPS male
PART # 40451211
2" Rubber washer
PART # 44695050

PARTS FOR KLEIN & FRANKLIN WASTE



* Old style graphite packing
PART # 40451217

ITEM	PART #	DESCRIPTION
1	40451212	Plunger
2		Flange – No longer available
3	40451213	Flat strainer
4	53293908	Crumbcup strainer
5	40800635	Flange washer
6	40451214	Handle assembly
7	40451215	Packing nut
8	40451216	Body bushing
9	40451217	Packing nut bushing
10	40950127	Plunger O-Ring
	40451218	Old style waste repair kit Contains items 5, 8, 9, & 10



TOTAL MAINTENANCE SOLUTIONS

HOUSTON
800/392-5066

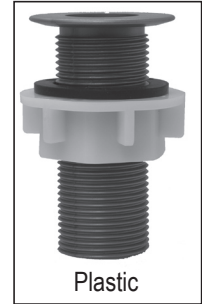
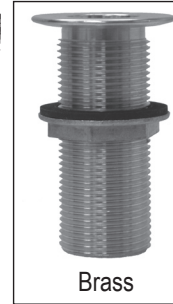
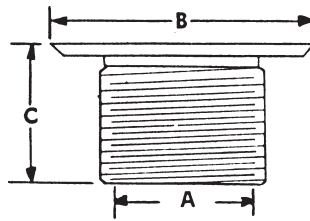
ORLANDO
800/327-3022

GREENVILLE
800/476-2212

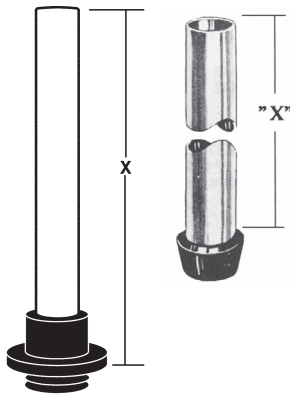
LOOK FOR US ON THE WEB AT: www.TMSSouth.com

HEAVY CAST DRAIN ASSEMBLIES

THREAD SIZE "A"	LENGTH "C"	FLANGE DIA. "B"	FINISH	PART #
1/2" NPS	2"	1-1/8"	Brass	47292002
3/4" NPS	1-5/8"	1-1/2"	Chrome	47292004
1" NPS	1-1/2"	2"	Brass	40800566
1" NPS	3-1/4"	2"	Brass	40800500
1" NPS	3-1/4"	2"	Poly resin	47208003
1-1/2" NPS	1-1/2"	3"	Brass	40451219
1-1/2" NPS	2-7/8"	3"	Poly resin	47208004



FOR COMPLETE LINE OF BASKET STRAINERS SEE SECTION 17

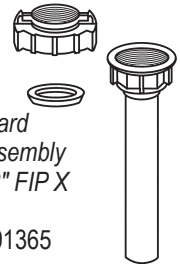


OVERFLOW TUBES

DRAIN SIZE	LENGTH "X"	TUBE MATERIAL	SEAT TYPE	PART #
1"	7-1/2"	Plastic	Rubber	40451220
1-1/2"	6-7/8"	Brass	Brass	2230280
1-1/2"	12"	CP Brass	Rubber	
1"	8-5/8"	Plastic	Rubber	40451220
1-1/2"	8-7/8"	Plastic	Rubber	40451222

SINK EXTENSION TUBE

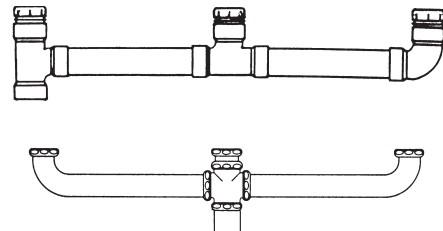
1/2" FIP
PART # 47291355
Adapter
Fits all standard 1/2" drain assembly products. 1/2" FIP X 1-1/2" SJ
PART # 47291365



40451220
40451222

PART #	DESCRIPTION
40800463*	2" PVC End Outlet waste for 30" centers or less and 2" NPS drains
40451223*	2" PVC Center Outlet waste for 30" centers or less and 2" NPS drains
40451224	1-1/2" 20 GA C.O. waste-25" centers
50552763	1-1/2" 20 GA E.O. waste-25" centers

* Note PVC waste comes unassembled - gluing required



KENCO DA-50 DRAIN (DISCONTINUED - PARTS NOT AVAILABLE)



Did You Know?

Approximately 85% of United States residents receive their water from public water facilities. The remaining 15% supply their own water from private wells or other sources.

- Allaboutwater.org

SEE OUR ANTIMICROBIAL PRODUCTS TO HELP KEEP YOUR FACILITY GERM-FREE!
SEE PAGES 2-5 and 9-13



TOTAL MAINTENANCE SOLUTIONS

HOUSTON
800/392-5066

ORLANDO
800/327-3022

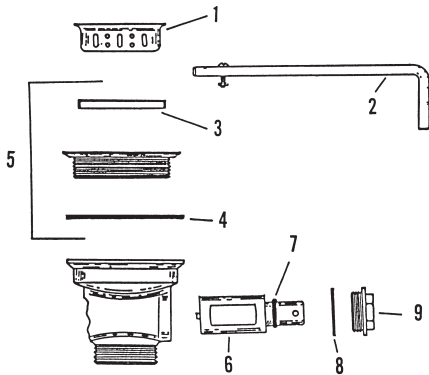
GREENVILLE
800/476-2212

LOOK FOR US ON THE WEB AT: www.TMSSouth.com

FOOD SERVICE

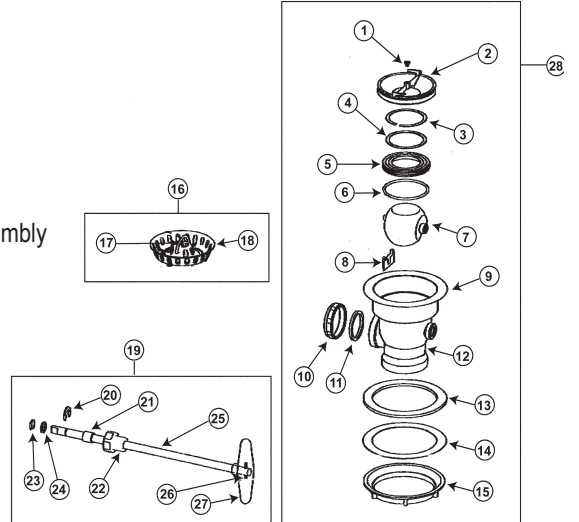
FISHER ROTARY WASTE PARTS

ITEM	PART #	DESCRIPTION
1	2230302	Basket strainer
2	2230275	Handle with screw & nut
3	2230304	Flat strainer
4	2230306	Gasket
5	2230308	Flat strainer assembly
6	2230310	Rotor with O-ring
7	2230312	O-ring
8	2230314	Gasket
9	2230316	End cup



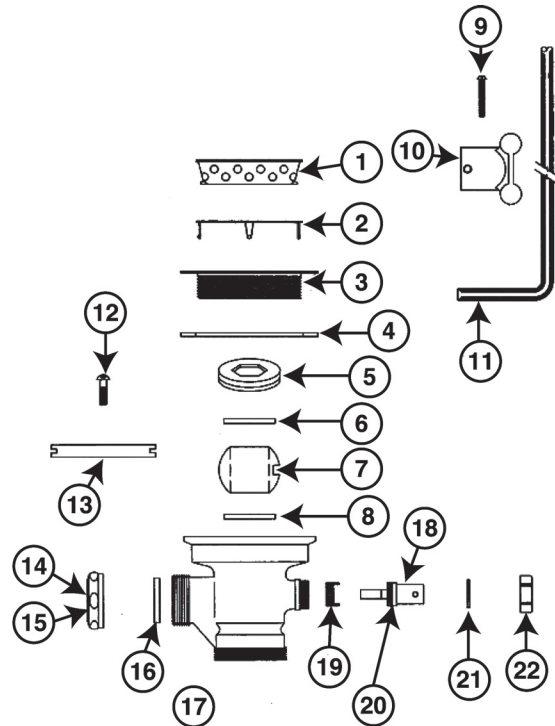
DRAINMASTER DSS-8000 STAINLESS STEEL DRAIN

ITEM	PART #	DESCRIPTION	ITEM	PART #	DESCRIPTION
1		Screw	24		D-ring
2		Retainer	25		Handle rod
3		Wave spring	26		Roll pin handle
4		Backup ring	27		Grip overmold assembly
5		Seat	28		Body assembly
6		O-ring	53291951		Repair kit (includes items 3, 5, 6, 8, 11, & 23)
7		Ball			
8		Trunion			
9		S/S body			
10		Cap			
11		Washer			
12		Label			
13		Head gasket			
14		Slip ring			
15		Flange nut			
16	53291955	Strainer assembly			
17		Ball			
18		Strainer			
19	53291953	Handle assembly			
20		E-ring (s/s)			
21		Bushing			
22		Handle nut			
23		Washer			



FISHER DRINKING REPLACEMENT PARTS

ITEM	PART #	DESCRIPTION
1		Basket strainer
2	40451051	Flat strainer
3	40451052	Clamping ring
4	2230306	Clamping ring gasket
5		Waste valve retaining nut
6	40451053	Teflon seal
7		Waste ball valve
8	40451053	Teflon seal
9		Screw
10		Vandal resistant knob
11	2230275	Lever handle
12	40451054	Vandal resistant screw
13	40451055	Vandal resistant bar
14		End cap
15		Slip joint nut
16		Slip joint washer
17		End cap gasket
18	40451056	Rotor arm
19	40451057	Rotor stop
20	40451058	O-ring
21	40451059	Washer
22		Rotor nut



Overflow elbow kit also available



HOUSTON
800/392-5066

ORLANDO
800/327-3022

GREENVILLE
800/476-2212

LOOK FOR US ON THE WEB AT: www.TMSSouth.com

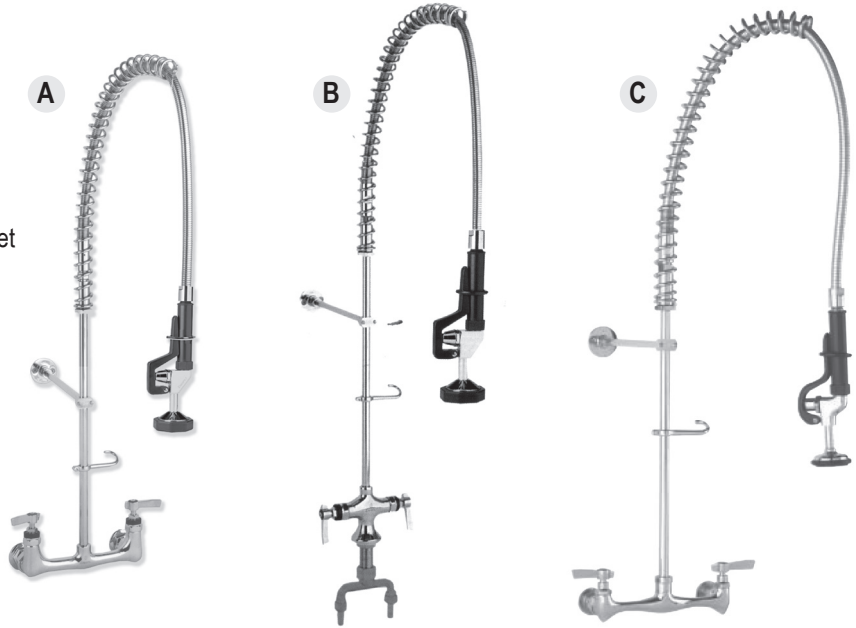
COMPONENT HARDWARE GROUP (CHG)

PRE-RINSE VALVES

A. Wall Mount Pre-Rinse Assembly
PART # 40310014

B. Deck Mount Pre-Rinse Valve
PART # 40310013

C. Economy wall Mount Pre-Rinse with Wall Bracket and 18" Riser
PART # 40451026



PRE-RINSE REPLACEMENT PARTS FROM CHG



PRE-RINSE HOSE SUB-ASSEMBLY
PART # 40451030

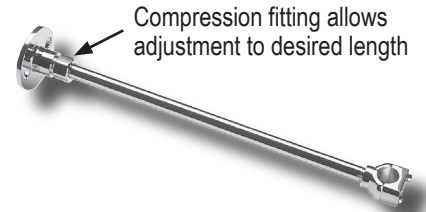


UNIVERSAL PRE-RINSE REPLACEMENT
PART # 40451024

SELECT-A-SPRAY PRE-RINSE HEAD ASSEMBLY
PART # 40120633

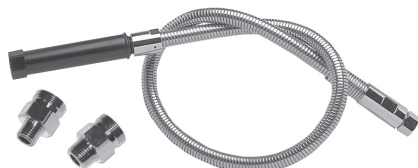


GRIP
PART # 40451032



Compression fitting allows adjustment to desired length

WALL BRACKET ASSEMBLY
Long Rod
PART # 40451023



44" Universal Hose and Adapters
PART # 40120634
44" Universal Hose less Adapters
PART # 40310016



PRE-RINSE SPRAY VALVE REPAIR KIT

Includes universal button valve bumper, face plate, screw and washers as shown.
PART # 31485010



Spring for Pre-Rinse Unit
Part # 40160042



TOTAL MAINTENANCE SOLUTIONS

HOUSTON
800/392-5066

ORLANDO
800/327-3022

GREENVILLE
800/476-2212

LOOK FOR US ON THE WEB AT: www.TMSSouth.com

FOOD SERVICE

COMPONENT HARDWARE GROUP (CHG)

12" POT FILLER FAUCET

- Operating Temperature: 40 - 180°F
- Operating Pressure: 20 - 125psi
- Flow Rate: 35gpm @ 60psi
- Handle Treatment: Saniguard™ Inorganic Antimicrobial - Lasts the life of the product
- Polished Chrome Plated Brass
- 3/4" NPT Male Inlet
- Single hole deck mounting
- Full turn 3/4" Commercial Valves w/ Check Valve
- Full Flow 1" Diameter Spout



PART # 40451035

WALL MOUNT FAUCET WITH 6" SWIVEL GOOSENECK

- NSF listed
- New easy 1/4 Turn full open feature
- Furnished with both optional aerator and bubbler screen
- Specification grade quality
- Provided with 1/2" NPT female inlets

PART # 40451021



BACKSPLASH FAUCET

- NSF Listed
- New easy 1/4 Turn Full Open Feature
- The only 4" faucet with built-in check valves, to prevent back flow and offer positive seal
- High commercial quality
- International color coded hot and cold identifiers
- Shown with optional wrist blade handles (no. K50-0001)
- Solid heavy-duty cast bodies with 5" Gooseneck Faucet



PART # 40451020



DOUBLE PANTRY BASE FAUCET ASSEMBLY
PART # 40451027

ENCORE DIPPERWELL FAUCET MODEL K22-3100

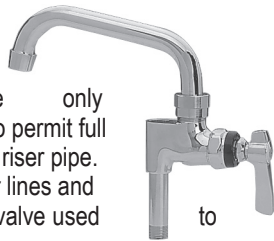
- 2" spout
- 1/2" pipe size with 1/4" tailpiece
- 1-3/8" long inlet

PART # 31482100



ADD-ON FAUCET

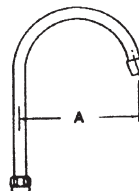
Add-on faucet extends flexibility of Pre-Rinse Assemblies by providing additional swivel spout capability. The only Add-on faucet designed specifically to permit full spout swing without interference with riser pipe. Easy installation, utilizing same water lines and controls as the Pre-Rinse. Separate valve used control spout flow.



PART # 40451028

ENCORE SWIVEL GOOSENECK

PART #	DESCRIPTION
31481000	3-1/2" (A)
31481001	8-1/2" (A)
31481002	6" (A)



QUIK-WASH AUTOMATIC FAUCET CONTROL

Instant water shut-off eliminates waste! Comes with adapter to fit 15/16" male or female spouts.
PART # 40120632



ENCORE COMMERCIAL DUTY SWING SPOUTS

PART #	DESCRIPTION
31481006	6" swing
31481008	8" swing
31481012	12" swing
31481015	18" swing



COMBO BASE FAUCET ASSEMBLY
PART # 40451025



TOTAL MAINTENANCE SOLUTIONS

HOUSTON
800/392-5066

ORLANDO
800/327-3022

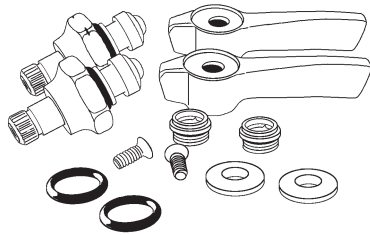
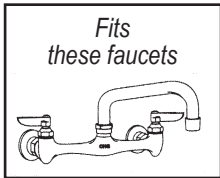
GREENVILLE
800/476-2212

LOOK FOR US ON THE WEB AT: www.TMSSouth.com

REPAIR KITS FROM COMPONENT HARDWARE GROUP

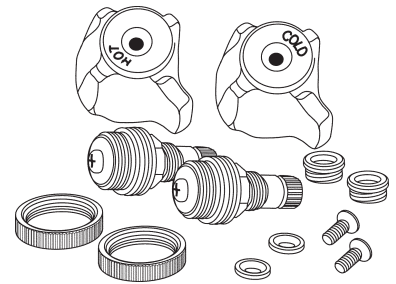
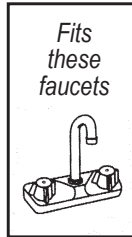
ENCORE FAUCET REPAIR KIT #1

PART # 40110158



ENCORE FAUCET REPAIR KIT #2

PART # 40120070



UNIVERSAL BUTTON VALVE ASSEMBLY

Kit includes all Parts to completely replace pre-rinse button valve assembly or knee/foot valve assembly

PART # 31481024



DECK FAUCET MOUNTING KIT

PART # 31481033



INLET NIPPLE KIT

PART # 40121032



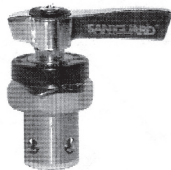
ENCORE PRE-RINSE SPRAY VALVE ASSEMBLY

PART # 40120635



ENCORE HANDLE KIT WITH CARTRIDGE

PART #	DESCRIPTION
40451045	KN41 Series, Cold
40451046	KN41 Series, hot



40451034	KN50 Series, Cold
40451033	KN50 Series, Hot

ENCORE FAUCET HANDLE REPAIR KIT #3

Includes handle, screw, and hot & cold indicator buttons
PART # 31481022

Handle repair kit (pair) with Saniguard
PART # 40310009



ENCORE REPLACEMENT CARTRIDGES

PART #	DESCRIPTION
31488002	KN41 & KN45 Series cold cartridge assembly
31488003	KN41 & KN45 Series hot cartridge assembly
31488006	KN50 Series cold cartridge assembly
31488007	KN50 Series hot cartridge assembly
40451047	KN45 Series ceramic cold cartridge assembly
40451048	KN45 Series ceramic hot cartridge assembly
40451049	KN50 Series cold ceramic cartridge assembly
40451050	KN50 Series hot ceramic cartridge assembly



CHG WRIST AND LEVER HANDLES

4" Wrist Handles for Chicago and Zurn
PART # 40310012

Lever Handles for Chicago and Zurn (not shown)
PART # 40310011

4" Wrist Handles for T&S and CHG (not shown)
PART # 40310010

Lever Handles for T&S and CHG (not shown)
PART # 40310009



TOTAL MAINTENANCE SOLUTIONS

HOUSTON
800/392-5066

ORLANDO
800/327-3022

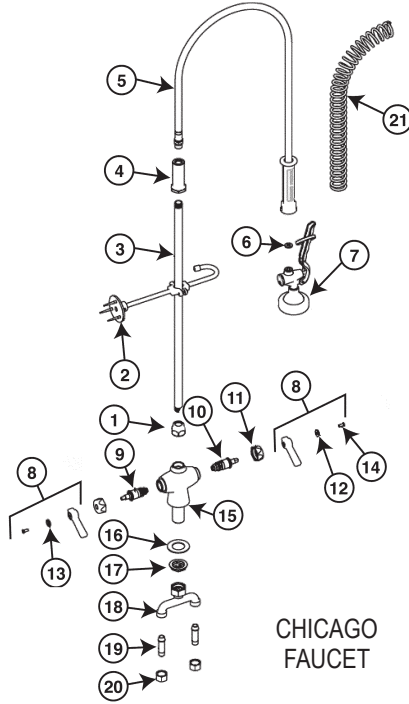
GREENVILLE
800/476-2212

LOOK FOR US ON THE WEB AT: www.TMSSouth.com

FOOD SERVICE

CHICAGO FAUCET SPRAY VALVES

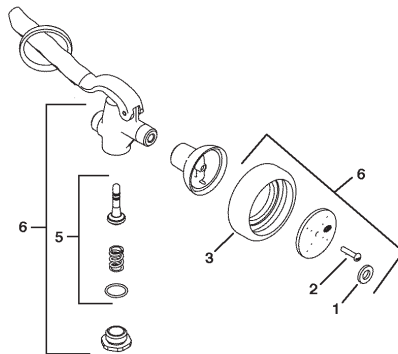
Chicago Faucet deck mounted pre-rinse with built-in back checks. Unit is 44" high with a 12" overhang.
TMS PART # 03150919



919-L PRE-RINSE

ITEM	PART #	DESCRIPTION
1		Adapter
2		Pipe Strap & hook assembly
3		Riser 3/8" x 23"
4	03150904	Guide shank
5	03150800	Hose and handle assembly
6		Gasket
7	40121050	Spray valve
8		Lever handle assembly (pair)
9	40120052	Quatum unit (LH)
10	40170053	Quatum unit (RH)
11	03151018	Cap nut
12	40110115	Index button (blue)
13	40110114	Index button (red)
14	40120619	Screw
15		Valve body (not sold separately)
16		Steel washer
17		Locknut
18		Connection assembly
19		Tailpiece
20		Coupling nut
21	03150900	Spring

CHICAGO FAUCET



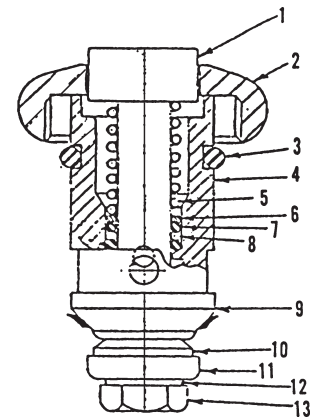
CHICAGO FAUCET SPRAY HEAD 80-L

ITEM	PART #	DESCRIPTION
1		Gasket
2		Screw
3		Rubber bumper
4		Spray face, bumper, gasket & screw
5		Renewal kit, valve stem assembly
6		Pre-rinse valve, less spray



PUSH BUTTON UNIT PARTS

ITEM	PART #	DESCRIPTION
1	40121051	Stem & bonnet assembly
2	03151632	Cap
3	40950026	O-Ring
4	03151565	Sleeve
5	40120655	Spring
6	03151275	Washer
7	03150360	O-Ring (2)
8	40120658	Washer
9	40110172	Seat
10	40120252	Washer
11	40110173	Retainer
12	40110167	Washer
13	40120261	Nut



CHICAGO FAUCET # 80 OLD STYLE



CHICAGO FAUCET PRE-RINSE REPLACEMENT HOSE

PART # 03150800
44" Flexible S/S hose

PART # 40120665
58" Flexible S/S hose



TOTAL MAINTENANCE SOLUTIONS

HOUSTON
800/392-5066

ORLANDO
800/327-3022

GREENVILLE
800/476-2212

LOOK FOR US ON THE WEB AT: www.TMSSouth.com

FOOD SERVICE

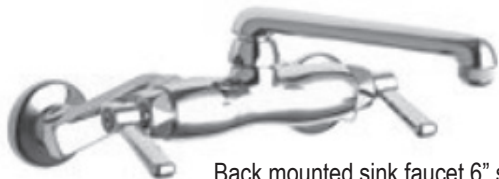


CHICAGO FAUCETS

Back mounted sink faucet 12" swing spout, 8" centers 1/2" IPS female flanged inlet. TMS # 40121052



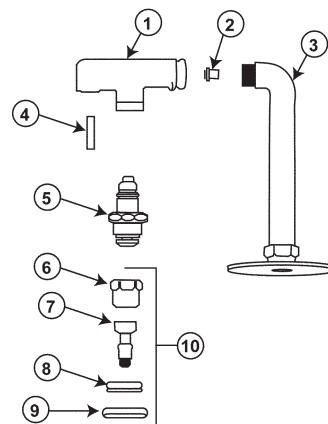
Wall mounted service sink faucet with cast swing spout, soap dish and 2.2 gpm Pressure Compensating Softflo Aerator PART # 40120667



Back mounted sink faucet 6" swing spout, adjustable supply arms (8"), 1/2" IPS female flanged inlet. TMS # 03159445

CHICAGO FAUCET 709 GLASS FILLER

ITEM	PART #	DESCRIPTION
1		Valve body
2	03153134	Flow control assembly
3		Angle type shank
4		Anti-splash screen
5	40121053	Glass filler less dashpot
6		Bonnet
7		Handle
8		Disc
9		Ring
10	03153130	Handle assembly



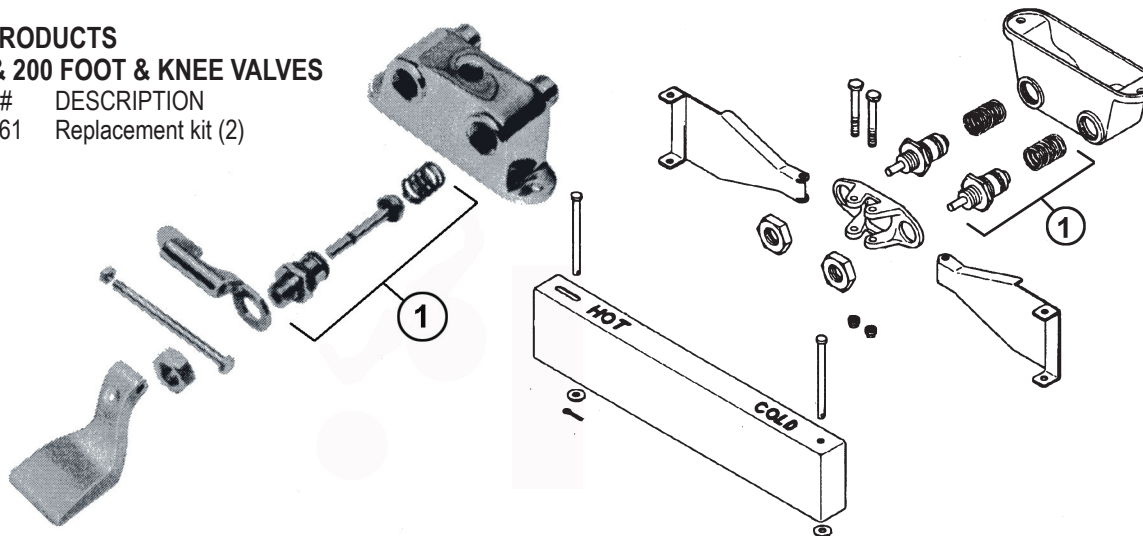
Single wall fitting with 6" swing spout. 1/2" IPS female shank. TMS # 03150332



Deck mounted service sink faucet with rigid/swing goose-neck spout. PART # 40120626

**COLUMBIA PRODUCTS
SERIES 100 & 200 FOOT & KNEE VALVES**

ITEM	PART #	DESCRIPTION
1	33011061	Replacement kit (2)



**TOTAL
MAINTENANCE
SOLUTIONS**

HOUSTON
800/392-5066

ORLANDO
800/327-3022

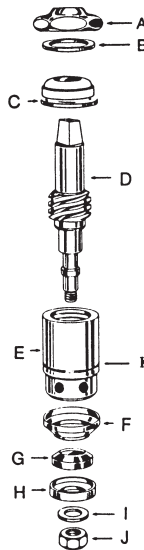
GREENVILLE
800/476-2212

LOOK FOR US ON THE WEB AT: www.TMSSouth.com

FOOD SERVICE

CHICAGO FAUCETS QUATURN STEM UNIT

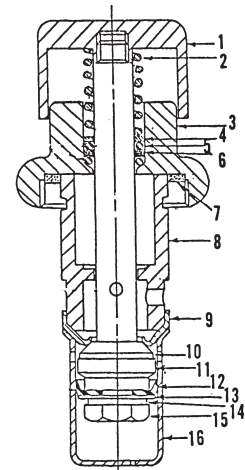
ITEM	PART #	DESCRIPTION
A	40110188	Cap
B	40120660	Gasket
C	40110174	Packing Assy.
D	1-111K	Right hand stem
	1-110K	Left hand stem
E	40121054	Right hand sleeve
	40121055	Left hand sleeve
F	40110172	Seat
G	40120049	Washer
H	40110173	Retainer
I	40110167	Washer
J	40120261	Nut
K	40950027	O-Ring (older stems only)



Parts kit for Quatern stem – Contains one each of B, C, F, G, H, I, J TMS PART # 40121056

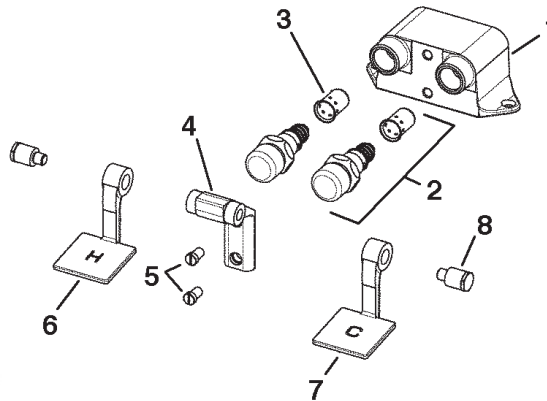
CHICAGO FAUCETS 628-X UNIT FOR 625 PEDAL VALVE

ITEM	PART #	DESCRIPTION
1	03151416	Button & Stem
2	40120655	Spring
3	40120659	CP Cap
4	03151275	Washer
5	40120657	O-Ring (2)
6	40120658	Leather washer
7	40120660	Gasket
8	433-46	Sleeve
9	40110172	Monel seat
10	40120252	Washer
11	40120661	Retainer
12	40120662	Cup
13	40120663	Washer
14	40110167	Washer
15	40120261	Nut
16	40120664	Dashpot
	40120627	Self-closing repair kit for 2 cartridges



625 PEDAL VALVE

ITEM	PART #	DESCRIPTION
1		Valve body (not sold separately)
2	40170011	Cartridge
3	40120664	Dashpot
4	03150590	Bracket
5	03150560	Screw
6	03150570	Hot pedal
7	03150610	Cold pedal
8	03150600	Bolt

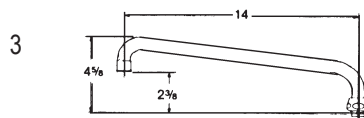
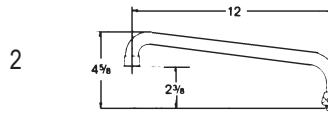
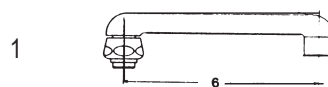


CHICAGO FAUCETS SWING SPOUTS

ITEM	PART #	DESCRIPTION
1	03150760	6" Swing Spout
2	40120229	12" Swing Spout
3	03150764	15" Swing Spout

PART #	DESCRIPTION
40110111	Softflo aerator
40110122	Adapter-Chicago spout to 15/16 male aerator thrd. Allows use of large female aerator on Chicago spouts
40110016	15/16 female aerator

40110111



A COMPLETE LINE OF CHICAGO FAUCETS IS AVAILABLE FROM TMS

Did You Know?

There are a total of about 326 million cubic miles of water on the Earth.

– AllAboutWater.org



TOTAL MAINTENANCE SOLUTIONS

HOUSTON
800/392-5066

ORLANDO
800/327-3022

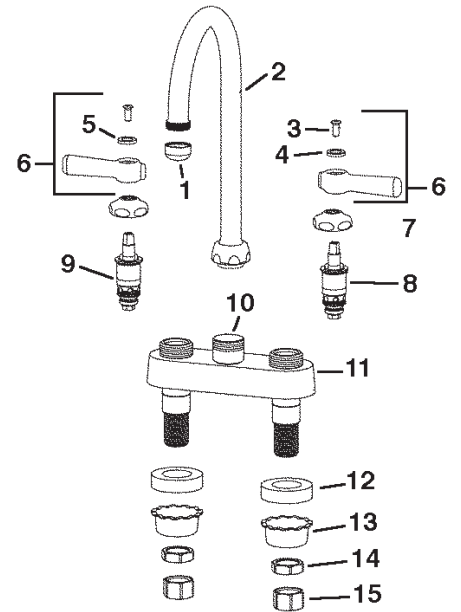
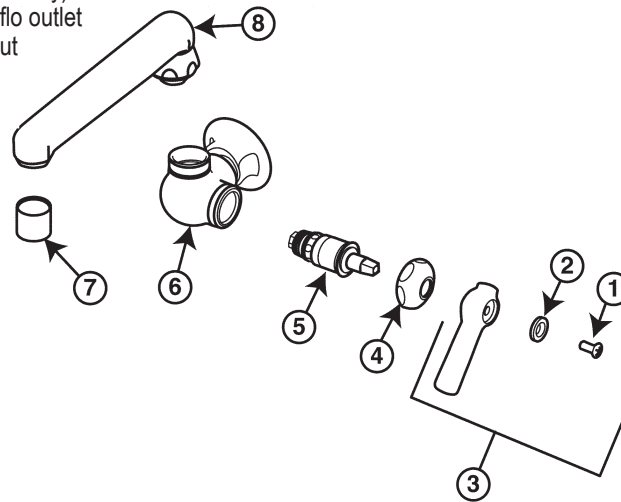
GREENVILLE
800/476-2212

LOOK FOR US ON THE WEB AT: www.TMSSouth.com

FOOD SERVICE

WALL MOUNTED SINGLE WATER INLET FAUCET 332-CP

ITEM	PART #	DESCRIPTION
1		Screw
2	40110115	Index button (blue)
3	40120062	Cold lever handle assembly
4	40110188	Cap
5	40120053	Cartridge
6		Valve body (not sold separately)
7	40110022	Softflo outlet
8	03150760	Spout

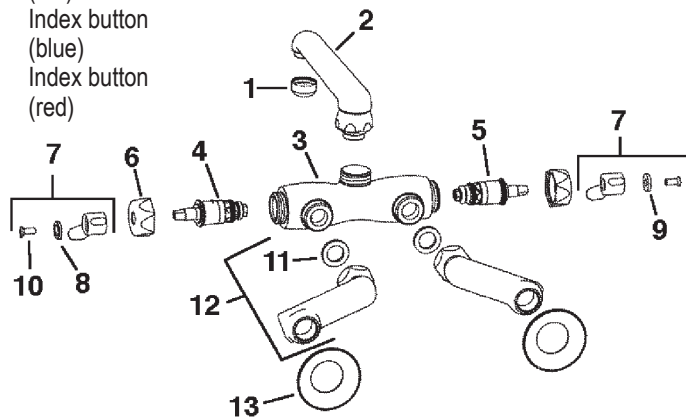


DECK MOUNTED SERVICE SINK FAUCET 526-GN2AE1

ITEM	PART #	DESCRIPTION
1	40110111	Outlet
2	40120083	Gooseneck spout
3	40120619	Screw
4	40110115	Index button (blue)
5	40110114	Index button (red)
6	40120062	Lever handle assembly (cold)
	40120061	Lever handle assembly (hot)
7	40110188	Cap
8	40120053	Cartridge (RH)
9	40120052	Cartridge (LH)
10		Adapter
11		Valve body (not sold separately)
12		Washer
13	40800629	Basin cock washer
14	40800598	Locknut
15	40800454	Coupling nut

WALL MOUNTED SERVICE SINK FAUCET 445-E1

ITEM	PART #	DESCRIPTION	ITEM	PART #	DESCRIPTION
1		Outlet	10	40120619	Screw
2	03150760	Spout	11	03150140	Washer
3		Valve body (not sold separately)	12		"H" arm assembly
4	40120053	Cartridge (RH)			
5	40120052	Cartridge (LH)			
6		Cap nut			
7	40120062	Lever handle assembly (cold)			
	40120061	Lever handle assembly (hot)			
8	40110115	Index button (blue)			
9	40110114	Index button (red)			



**TOTAL
MAINTENANCE
SOLUTIONS**

HOUSTON
800/392-5066

ORLANDO
800/327-3022

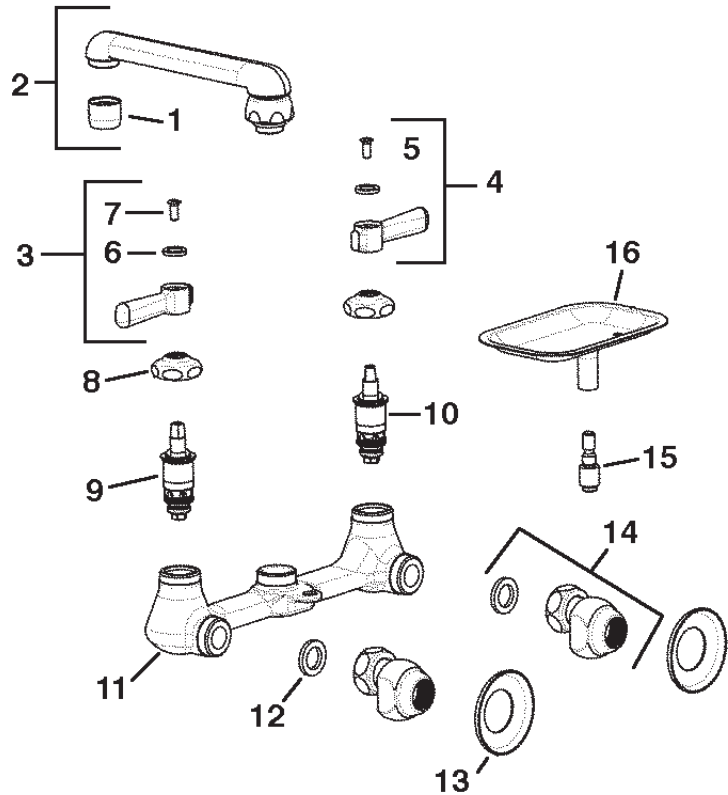
GREENVILLE
800/476-2212

LOOK FOR US ON THE WEB AT: www.TMSSouth.com

FOOD SERVICE

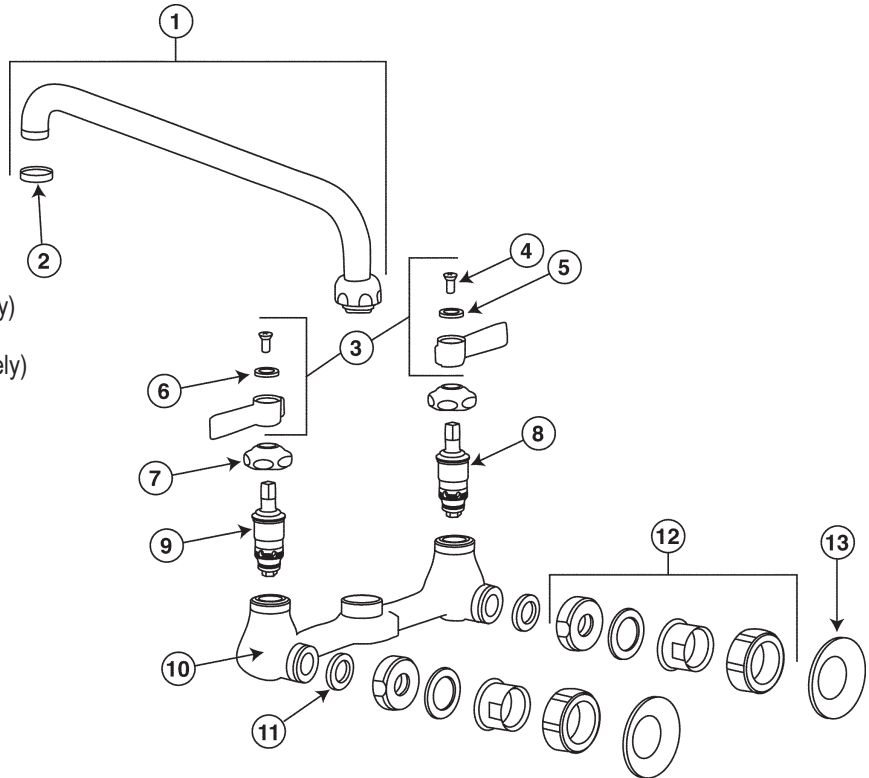
WALL MOUNTED SERVICE SINK FAUCET 540-CP

ITEM	PART #	DESCRIPTION
1	40110111	Softflo outlet
2	03150760	Spout assembly
3	40120062	Lever handle assembly (cold)
4	40120061	Lever handle assembly (hot)
5	40110114	Index button (red)
6	40110115	Index button (blue)
7		Screw
8	40110188	Cap
9	40120053	Cartridge (RH)
10	40120052	Cartridge (LH)
11		Valve body (not sold separately)
12	03150140	Washer
13	03151026	Flange
14		'G' arm (includes washer)
15	03151022	Soap dish post
16	03151020	Soap dish assembly



WALL MOUNTED SERVICE SINK FAUCET 540-LDL12-1-159-3/4

ITEM	PART #	DESCRIPTION
1	40120229	Spout
2	40110111	Spout outlet
3	40121057	Hot/Cold horizontal handle
4	40120619	Screw
5	40110114	Button, red index (hot)
6	40110115	Button, blue index (cold)
7	40110188	Cap
8	40120052	Cartridge (LH)
9	40120053	Cartridge (RH)
10		Valve body (not sold separately)
11	03150140	Rubber washer
12		3/4" adapter (not sold separately)
13	03151026	Flange



**TOTAL
MAINTENANCE
SOLUTIONS**

HOUSTON
800/392-5066

ORLANDO
800/327-3022

GREENVILLE
800/476-2212

LOOK FOR US ON THE WEB AT: www.TMSSouth.com

FISHER SPRAY VALVES

Fisher Hose & Spray assembly
TMS PART # 2232911

Fisher back mounted with 8" centers. Unit is 36" high with a 12" overhang. TMS # 2232210

Fisher deck mounted with internal check valves. Unit is 35" high with an overhang of 12". TMS # 2232110

Fisher hose for dual deck 40130185

Spray valve for Fisher Pre-Rinse units.
TMS # 2230220

Water saver spray valve for Fisher Pre-Rinse units.
TMS # 2230210

FISHER FAUCET MODEL 2110

ITEM	PART #	DESCRIPTION
1	2230450	21-3/4" Riser
2	2230452	Hose to pipe adapter
3	2230454	Hose hook
4	2230456	Spring
5	2230246	36" S/S hose
6	2230458	Gasket
7	40130041	Handle
8	2230220	Spray valve(2990)
	2230221	Ultra spray valve (2949)
9		Back flow preventer

FISHER 2990 & 2949

ITEM	PART #	DESCRIPTION
1	2230230	Basic valve repair kit
2	2230400	Retainer assembly
3	40110129	Seat washer
4	50100019	Seat screw
5	1000-3301	Bonnet nut
6	1000-5001	Bonnet washer
7	2230434	Spring
8	40800845	Gasket
9	2230402	Lift pin
10	40950126	O-Ring
11	2909-5000	Gasket
12	2230404	Lift pin retainer
13	2912-7501	Screw
14	2230406	Spring clip
15	2230408	Nozzle for 2990
	2230410	Nozzle for 2949
16	2230412	Cup washer
17	2230414	Black bumper
	2230416	Blue bumper
18	2230240	Squeeze lever
19	NLA	Dish guard bumper
20	NLA	Spray face
21	2230420	Screw

For Old Style 2912 Spray Valve

FISHER PRE-RINSE REPLACEMENT HOSES

PART #	DESCRIPTION
2230254	15-1/2" Flex S/S hose
2230246	36" Flexible S/S hose
2230256	25-1/2" Flexible S/S hose

ADAPTERS - HOSE TO PRE-RINSE

PART #	DESCRIPTION
18860172	T&S to Fisher
18860442	T&S to Chicago
2230252	Fisher to T&S



TOTAL MAINTENANCE SOLUTIONS

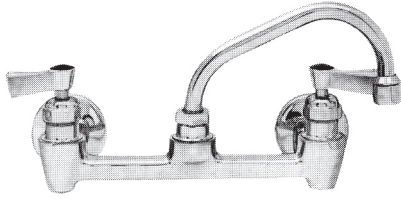
HOUSTON
800/392-5066

ORLANDO
800/327-3022

GREENVILLE
800/476-2212

LOOK FOR US ON THE WEB AT: www.TMSSouth.com

FOOD SERVICE

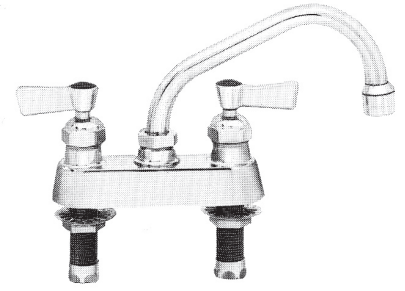


Sink mixing faucet w/12" swing spout, 8" centers backmount, 1/2" IPS female flanged inlet.
TMS # 2233253

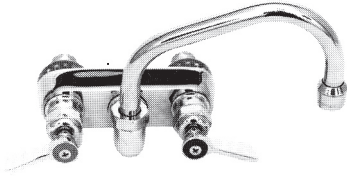
FISHER



Add-on faucet with 12" swing spout.
TMS # 2232912



4" Deck mount faucet, 1/2" IPS shanks with 6" swing spout.
TMS # 2233510



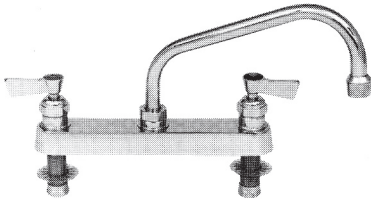
Wall mount faucet, 4" centers, 1/2" IPS shank, 6" spout.
TMS # 2233610



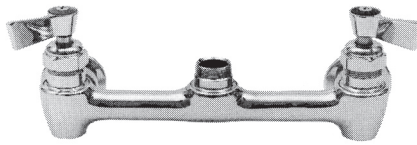
Pushback glass filler with 3/8" NPT male shank.
TMS # 2231007



Base faucet for 2110 Pre-Rinse unit.
1/2" slip joint inlets.
TMS # 2232100



Deck mount faucet, 8" centers, 1/2" IPS shank and 12" spout.
TMS # 2233313



Base faucet for 2210 Pre-Rinse unit.
8" centers with 1/2" NPT female shank.
TMS # 2232200

Did You Know?

- It takes 2 gallons to brush your teeth.
- It takes 2 to 7 gallons to flush a toilet.
- It takes 25-50 gallons to take a shower.
- It takes about 1 gallon of water to process a quarter pound of hamburger.
- It takes 2,072 gallons of water to make four new tires.

(If you need some water saving ideas, just call us!)



HOUSTON
800/392-5066

ORLANDO
800/327-3022

GREENVILLE
800/476-2212

LOOK FOR US ON THE WEB AT: www.TMSSouth.com

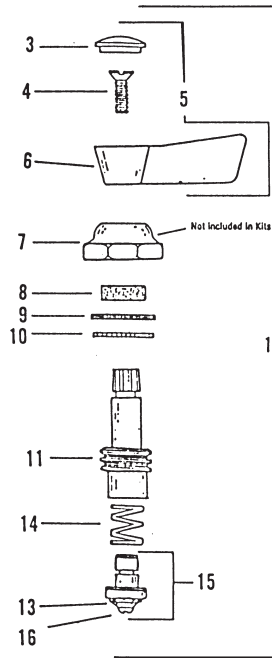
FISHER 1/2" CHECK STEM AND 1/2" SWIVEL STEM

Stem components for all Fisher faucets with 1/2" inlets.
 Pre-Rinse faucets, Service sink and most Lab faucets use Check Stems.
 All other faucets use Swivel Stems.

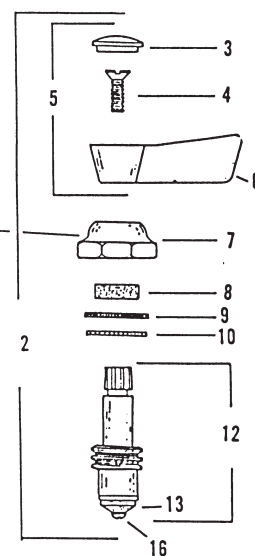


ITEM	PART #	DESCRIPTION
1	40130144	RH check stem repair kit
	40130145	LH check stem repair kit
2	40130146	RH swivel stem repair kit
	40120618	LH swivel stem repair kit
3	40130049	Hot button
	40130048	Cold button
4	50100030	Handle screw
5	2230284	Lever handle assembly
6	2000-2301	Lever handle
7	40130037	Bibb cap
8	41580140	Packing
9	2230288	Fibre washer
10	40130050	S/S washer
11	2230292	LH check stem
	2230294	RH check stem
12	40130045	LH swivel stem
	40130043	RH swivel stem
13	40110129	Seat washer
14	2230300	Spring
15	2230425	Retainer assembly
16	50100019	Bibb screw

**1/2"
Check
Stem**



**1/2"
Swivel
Stem**

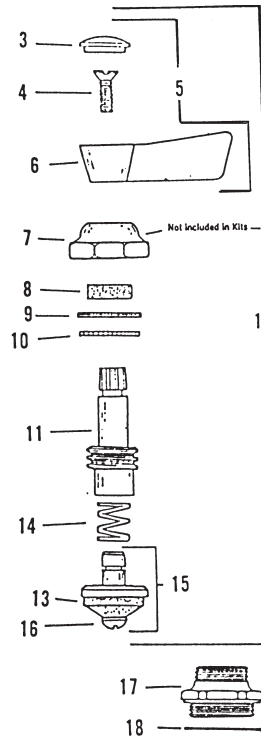


FISHER 3/4" CHECK STEM AND 3/4" SWIVEL STEM

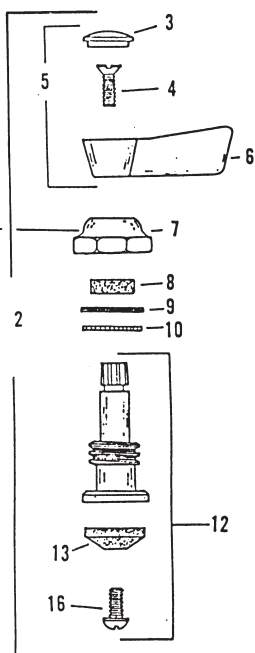
Stem components for all Fisher faucets with 3/4" inlets.

ITEM	PART #	DESCRIPTION
1	2230426	R.H. 3/4 check valve stem kit
	2230428	L.H. 3/4 check valve stem kit
2	40130136	R.H. 3/4 swivel stem kit
	40130137	L.H. 3/4 swivel stem kit
3	40130049	Hot button
	40130048	Cold button
4	50100030	Handle screw
5	2230284	Lever handle assy.
6	2000-2301	Lever handle
7	40130037	Bibb cap
8	41580140	Packing
9	2230288	Fibre washer
10	40130050	S/S washer
11	2230292	L.H. check stem
	2230294	R.H. check stem
12	2230317	L.H. 3/4 swivel stem
	2230318	R.H. 3/4 swivel stem
13	42691105	Seat washer
14	2230300	Spring
15	2230320	Retainer assy. 3/4 ck. stem.
16	50100019	Bibb screw
17	2230322	R.H. 3/4 stem adapter
	2230324	L.H. 3/4 stem adapter
18	2230326	Stem adapter gasket

**3/4"
Check
Stem**



**3/4"
Swivel
Stem**



**TOTAL
MAINTENANCE
SOLUTIONS**

HOUSTON
800/392-5066

ORLANDO
800/327-3022

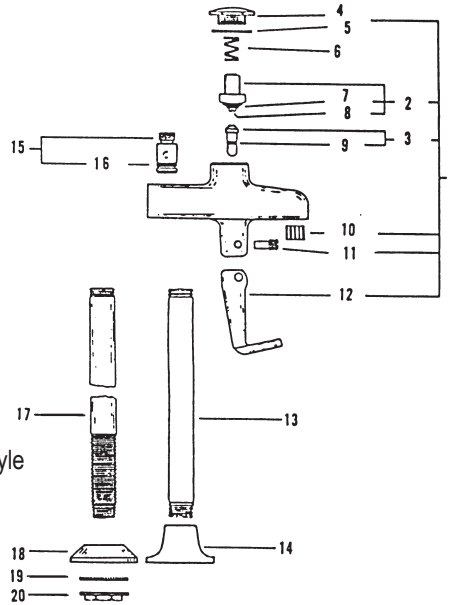
GREENVILLE
800/476-2212

LOOK FOR US ON THE WEB AT: www.TMSSouth.com

FOOD SERVICE

GLASS FILLER PARTS

ITEM	PART #	DESCRIPTION
1	2230462	Repair kit
2	2230400	Retainer assembly
3	2230402	Lift pin
4	1000-3301	Bonnet nut
5	1000-5001	Washer
6	1000-6001	Spring
	2900-600	Spring paper cups
7	40110129	Seat washer
8	50100019	Seat screw
9	40950126	O-Ring
10	2230464	Flow control
11	1000-3416	Axle screw
12	2230468	Prong
13	1000-4307	8" riser
14	1000-2304	3/8" riser base
	1000-23-5	1/2" riser base
15	2230470	Volume cock assy
	1000-0002	Volume cock assy.-old style
	1000-3302	Nut for old style cock
16	2230472	O-Ring
	1000-5004	O-Ring for old style cock
17	1000-4302	8" G.F. Riser
	1000-4303	10" G.F. Riser
18	1000-3321	Base flange
19	1000-5012	Washer
20	3042-3002	Locknut



CONSERVE WATER AND ENERGY AND LOWER SEWER COSTS!

FISHER PRE-RINSE SPRAY VALVE

Solid brass "showerhead" spray nozzle – no leaking o-rings! High-strength bronze alloy (not plastic!) insulated handle. 1.60 GPM @ 80 psi provides efficient pre-rinsing of dishes, trays, etc.

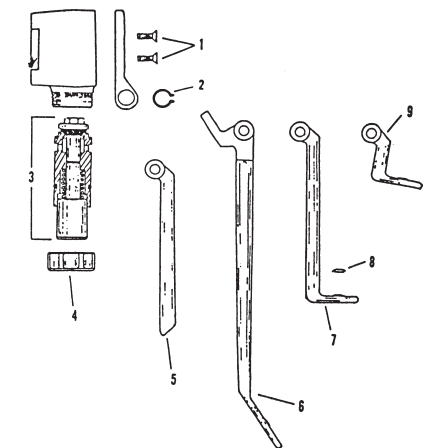
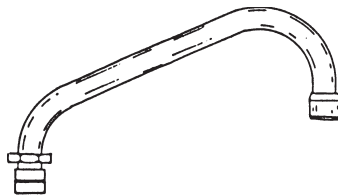
PART # 2230210



FISHER SWING SPOUTS

For 1/2" inlet faucets

PART #	DESCRIPTION
2233960	6" Tubular swing spout
2233961	8" Tubular swing spout
2230270	12" Tubular swing spout
40130054	14" Tubular swing spout
40130052	16" Tubular swing spout



PEDAL VALVE PARTS

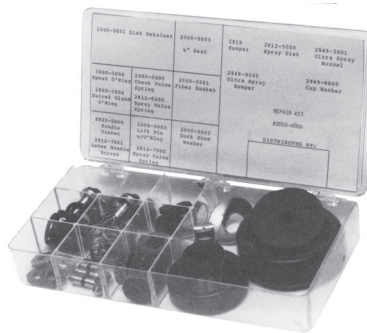
ITEM	PART #	DESCRIPTION
1	3070-7000	Screw
2	2233070	Snap ring
3	2230264	Cylinder
4	2233071	Bonnet nut
5	2233074	Knee pedal
6	2233076	Wall pedal-rough
7	2232403	Elevated floor pedal-rough – NLA
8	2238000	Red button
	2238001	Blue button
9	2232402	Floor pedal-rough
	2234030	Body o-ring for item #3



MASTER REPAIR KIT #1

Handy for the maintenance of glass fillers, faucet stems and spray valves. The kit contains the following: Seat Washers, Prong Axle Screws, Springs for spray valves, Seat Screws, Packing Washers, Spout O-Rings, Handle Screws, Index Buttons.

PART #2230202



MASTER REPAIR KIT #2

A more comprehensive kit that contains everything in 2230202 plus the following: Spray valve bumpers & Disks Ultra-Spray Nozzle & Cap washer, Check valve spring, Spray valve handle gaskets.

PART #2230203 Repair kit



TOTAL MAINTENANCE SOLUTIONS

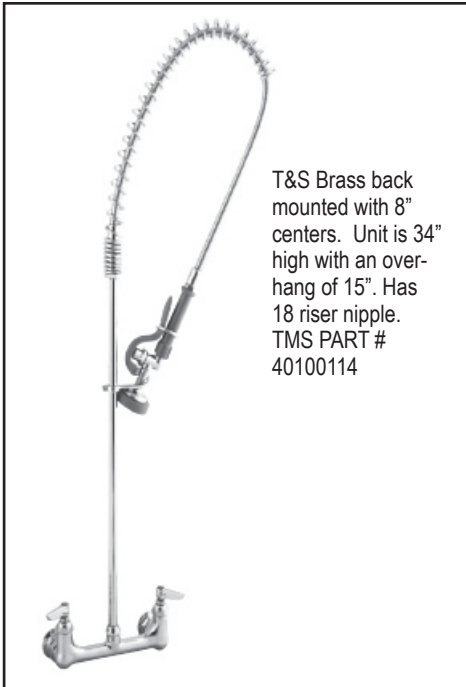
HOUSTON
800/392-5066

ORLANDO
800/327-3022

GREENVILLE
800/476-2212

LOOK FOR US ON THE WEB AT: www.TMSSouth.com

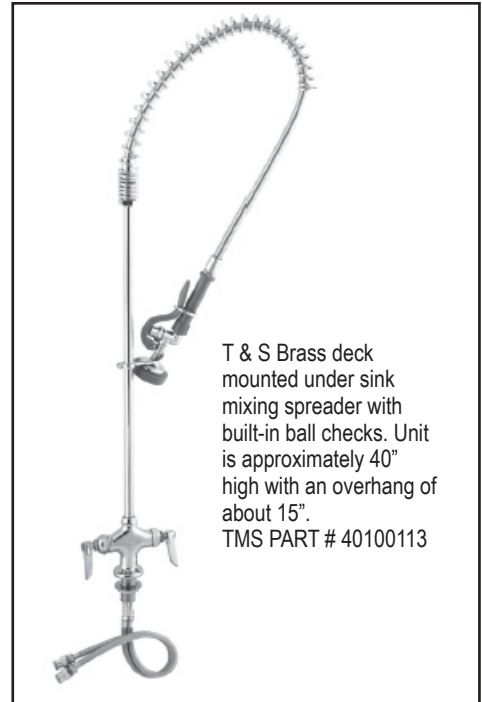
T&S SPRAY VALVES



T&S Brass back mounted with 8" centers. Unit is 34" high with an overhang of 15". Has 18 riser nipple. TMS PART # 40100114



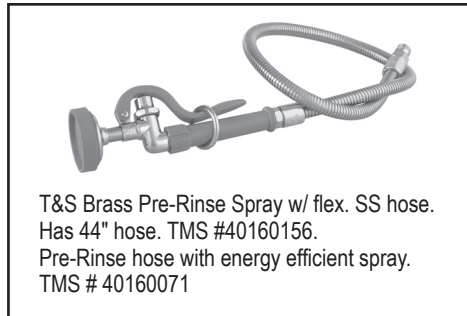
T&S Brass deck mounted with mixing faucet on 8" centers. Unit is 40" high with 15" overhang. TMS PART # 18860024



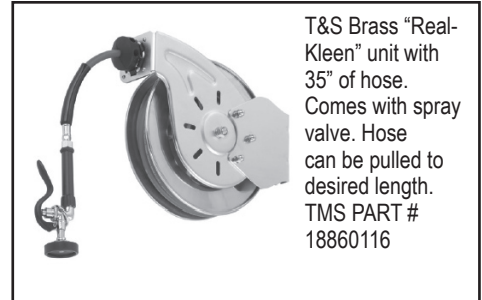
T & S Brass deck mounted under sink mixing spreader with built-in ball checks. Unit is approximately 40" high with an overhang of about 15". TMS PART # 40100113



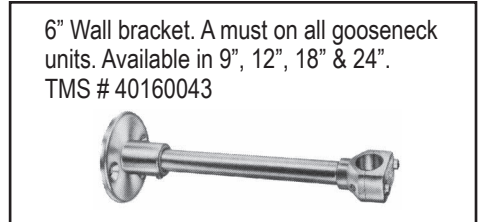
T&S Brass deck mounted with 8" centers and overhead swivel gooseneck. Gooseneck reaches 12" over sink at top. Height above the sink is about 39". TMS PART # 18860019



T&S Brass Pre-Rinse Spray w/ flex. SS hose. Has 44" hose. TMS #40160156. Pre-Rinse hose with energy efficient spray. TMS # 40160071



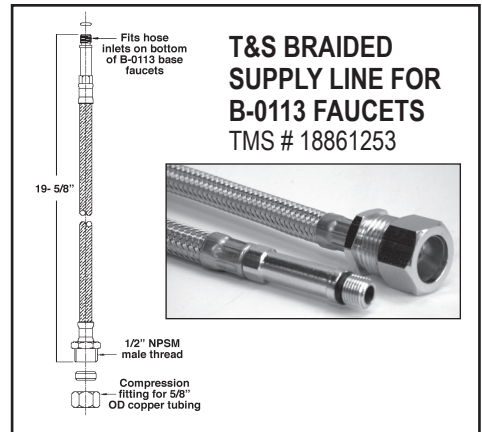
T&S Brass "Real-Kleen" unit with 35" of hose. Comes with spray valve. Hose can be pulled to desired length. TMS PART # 18860116



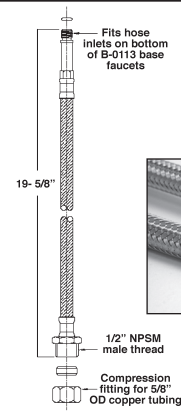
6" Wall bracket. A must on all gooseneck units. Available in 9", 12", 18" & 24". TMS # 40160043

T & S BRASS REPLACEMENT HOSES

PART #	DESCRIPTION
40160079	20" Flexible S/S hose
40160109	26" Flexible S/S hose
40160040	44" Flexible S/S hose
40160127	44" Flexible S/S hose w/ vacuum breaker
40160075	48" Flexible S/S hose
40160106	68" Flexible S/S hose
40160088	80" Flexible S/S hose
40160126	35. Ft. replacement hose for Real-Kleen unit



T&S BRAIDED SUPPLY LINE FOR B-0113 FAUCETS
TMS # 18861253

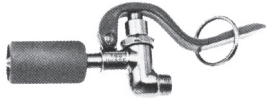


FOOD SERVICE

T&S SPRAY VALVES



T&S Pre-Rinse valve. High pressure spray for heavy duty use in industrial kitchens. 1.6 GPM
TMS # 40190038

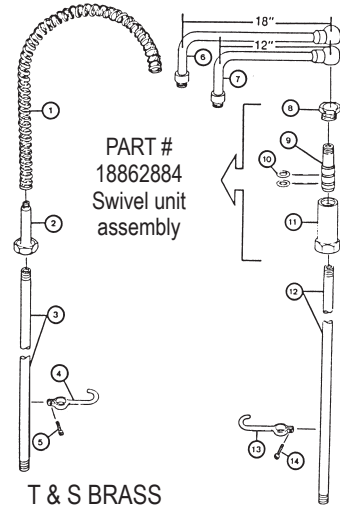


T&S energy efficient spray valve. Fan jet/knife action spray. GPM rate approx. 35% of regular spray valve. 1.24 GPM
TMS # 40160091



New JeTSpray Ergonomic spray valve. EPA Act 2005 Compliant. Available in 1.48 GPM and 1.2 GPM.
TMS # 40160190 1.48 GPM
TMS # 40160187 1.2 GPM

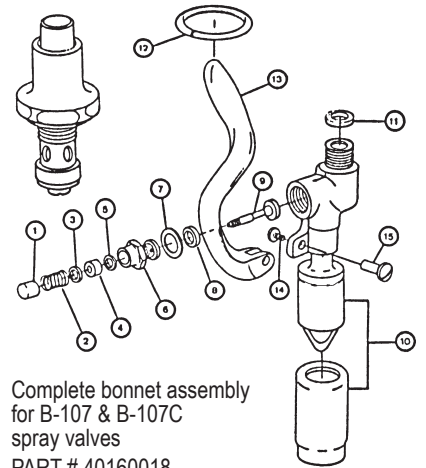
ITEM	PART #	DESCRIPTION
1	40160042	Spring
2	40160052	Spring body
3	40160131	18" Riser
	40160053	24" Riser
4	40160137	Finger hook
5	40160200	Screw
6	18860390	L-Tube-18"
7	384-40	L-Tube-12"
8	735-40	Swivel hex nut
9	839-25	Swivel stem
10	40950026	O-Rings
11	591-25	Swivel Body
12	376-40	32" Riser
13	40160137	Finger Hook
14	40160200	Screw



T & S BRASS

T&S BRASS B-107C

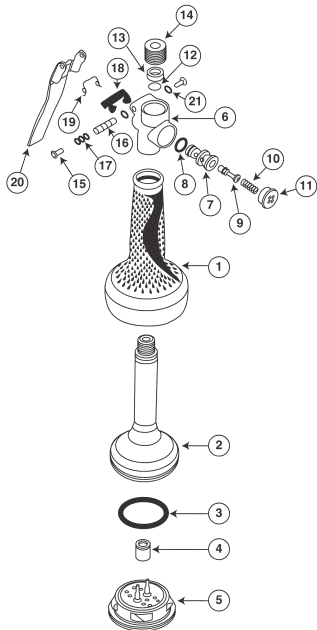
ITEM	PART #	DESCRIPTION
1	40160201	Push button
2	40160202	Bonnet spring
3	40160203	Washer
4	40160236	Packing
5	40160203	Washer
6	608-25	Bonnet
7	40160205	Binding washer
8	40160099	Seat washer
9	40160206	Stem
10	2662-20	Nozzle assembly
11	40160207	Hose washer
12	40160208	Hold-down ring
13	40160133	Squeeze valve handle
14	40160209	Handle screw
15	40160210	Handle nut
16	18862659	Shield



Complete bonnet assembly for B-107 & B-107C spray valves
PART # 40160018

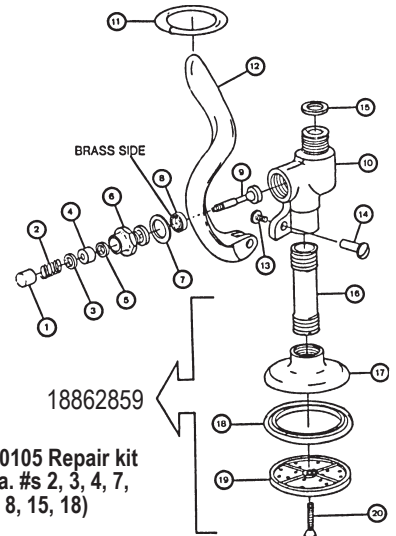
REPAIR KITS

- 40160191 Valve repair kit (includes 7, 10, 11)
- 40160192 Trigger repair kit (includes 15, 16, 18, 19, 20, 21)
- 40160193 Low flow spray face repair kit (includes 3, 5)
- 40160194 Regular flow (1.48 GPM) spray face repair kit (includes 3, 5)



T&S BRASS B-107

ITEM	PART #	DESCRIPTION
1	40160201	Push button
2	40160202	Bonnet spring
3	40160203	Bonnet washer
4	40160236	Packing
5	40160203	Bonnet washer
6	18860608	Bonnet
7	40160205	Binding washer
8	40160099	Seat washer
9	40160206	Stem
10	40160211	Squeeze valve body
11	40160208	Hold-down ring
12	40130133	Squeeze valve handle
13	40160209	Handle screw
14	40160210	Handle nut
15	40160207	Hose washer
16	40160212	Short nipple
17	40160213	Spray cup
18	40160154	Rubber ring
19	40160144	Spray face - Plastic
	18861502	Metal spray face
20	40160214	Spray face screw



18862859
40160105 Repair kit (2 ea. #s 2, 3, 4, 7, 8, 15, 18)



HOUSTON 800/392-5066 **ORLANDO** 800/327-3022 **GREENVILLE** 800/476-2212

LOOK FOR US ON THE WEB AT: www.TMSSouth.com

FOOD SERVICE



Deck mounted workboard faucet with 3-1/2" centers and 6" spout.
TMS # 40160121
With 4" centers and 6" spout.
TMS # 40160077



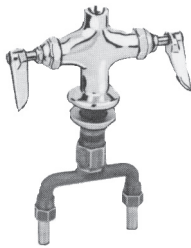
Splashback mounted workboard faucet with 3-1/2" centers and 6" spout
TMS # 18860096
With 4" centers and 6" spout
TMS # 40160092
TMS # 40160086 (less spout)



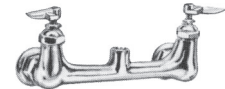
Deck mounted workboard faucet with 8" centers.
TMS # 40160128 (6" spout)
TMS # 40160123 (8" spout)
TMS # 40160116 (12" spout)
TMS # 40160110 (Less spout)



Splashback mounted workboard faucet with 8" centers.
TMS # 40160153 (6" spout)
TMS # 18861126 (8" spout)
TMS # 40160084 (12" spout)
TMS # 40160111 (less spout)



B-111, B-112, B-113 Pre-Rinse replacement faucet.
TMS # 40160120



B-131, B-132, B-133, B-134 Pre-Rinse replacement faucet.
TMS # 18862832



Pot sink faucet with 12" spout, 3/4" IPS inlet and 8" centers.
TMS # 40160072



Sink mixing faucet w/ 12" swing spout, 8" centers backmount, 1/2" IPS female flanged inlet
TMS # 40160070
Less spout TMS # 40160112



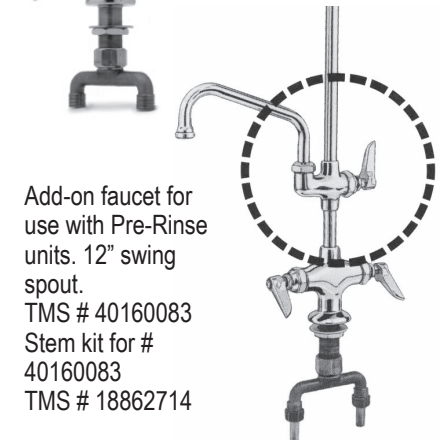
Double pantry faucet, rigid gooseneck, deck mount w/ 1/4" IPS union type tailpiece on 4" centers.
TMS # 40160082



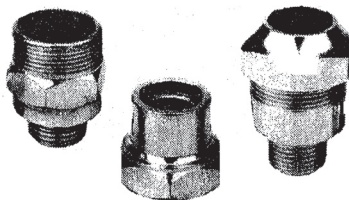
Workboard faucet with S/S hose and spray valve. 1/2" shanks on 8" centers for splashback mounting.
TMS # 18860021



Pushback glass filler. 1/2" MIP shank 2" long.
TMS # 40160122



Add-on faucet for use with Pre-Rinse units. 12" swing spout.
TMS # 40160083
Stem kit for # 40160083
TMS # 18862714



T & S BRASS SPOUT ADAPTERS

PART #	DESCRIPTION
40160218	Converts 3/8" rigid to swing
40160217	Converts swing to 3/8" rigid
18008150	Spout repair fitting (fits 3/8" spout)



TOTAL MAINTENANCE SOLUTIONS

HOUSTON
800/392-5066

ORLANDO
800/327-3022

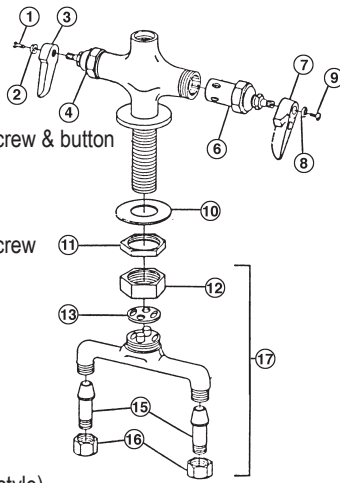
GREENVILLE
800/476-2212

LOOK FOR US ON THE WEB AT: www.TMSSouth.com

FOOD SERVICE

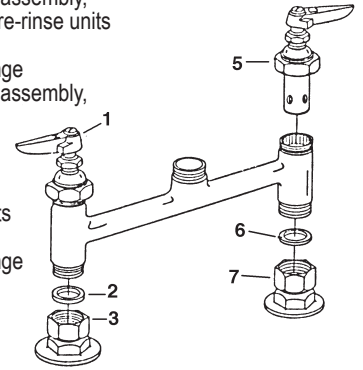
B-111 SERIES RIGID BASE

ITEM	PART #	DESCRIPTION
1	40120619	Handle screw
2	40160220	Index button – hot
3	40160011	Lever handle – hot
3A	18002714	Import handle w/ screw & button
4	40160073	Hot spindle assy
6	40160078	Cold spindle assy
7	40160096	Lever handle-cold
7A	18002713	Import handle w/ screw & button
8	40160221	Index button-cold
9	40120619	Handle screw
10	18862290	Washer
11	18860965	Nut
12	40160222	Spreader nut
13	40160058	Gasket
15	18861592	Tailpiece
16	18860958	Tailpiece nut (new style)
16A	18863004	Tailpiece nut (old style)
17	40160051	Spreader unit



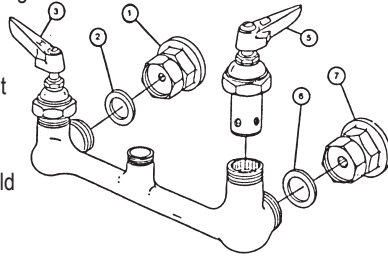
B-220 SERIES SWIVEL BASE – B-121 SERIES RIGID BASE

ITEM	PART #	DESCRIPTION
1	40160000	Hot spindle assembly, faucets
	40160001	Cold spindle assembly, (L/ handle) pre-rinse units
2	40160139	Washer
3	18862893	Coupling flange
5	18862713	Cold spindle assembly, faucets
	40160078	Cold spindle assembly, (L/handle) pre-rinse units
6	40160139	Washer
7	18862893	Coupling flange



B-230 SERIES SWIVEL BASE – B-131 SERIES RIGID BASE

ITEM	PART #	DESCRIPTION
1	18862893	Coupling flange
2	40160139	Washer
3	40160073	RH Spindle assembly, pre-rinse units
	40160000	Hot (RH) Spindle assembly (all others)
5	40160078	LH Spindle assembly, pre-rinse units
	40160001	Cold (LH) Spindle assy. (all others)
6	40160139	Washer
7	18862893	Coupling flange
	18002714	Import handle w/ screw & button – hot
	18002713	Import handle w/ screw & button – cold



T & S BRASS SWING NOZZLES

PART #	Length	Clearance
40160223	6"	2-5/16"
40160118	8"	2-15/16"
40160061	12"	3-3/4"
40160130	14"	5"
40160224	18"	6-3/8"



DOUBLE-JOINT NOZZLES

PART #	Back	Front	Total
18869066	6"	6"	12"
18869067	9"	6"	15"
18869068	12"	6"	18"

SWIVEL GOOSENECK

PART #	Spread	Height	Clearance
40160119	2-3/4"	9-1/16"	5-9/16"
18860469	5-11/16"	10-3/8"	6-3/8"
40160225	7-3/4"	11-7/16"	5-1/2"
40160226	8-3/4"	12-1/16"	5-9/16"

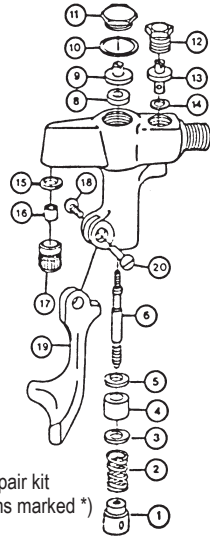


RIGID GOOSENECK

PART #	Spread	Height	Clearance
40160227	5-1/2"	10-1/4"	5-5/16"
40160228	5-1/2"	12-1/2"	7-1/2"

B-1200 SERIES GLASS FILLER

ITEM	PART #	DESCRIPTION
1	18860752	Push button
2	18860894	Spring*
3	40160203	Brass washer
4	40160236	Packing*
5	40160203	Brass washer*
6	18860826	Stem*
8	18861094	Seat washer
9	18860664	Seat holder
10	18861029	Binding washer*
11	18860623	Hex cap
12	18860714	Volume control nut
13	18860834	Volume control stem
14	18861031	Fibre washer*
15	18861030	Washer
17	18863090	Outlet tip
18	40160209	Lever screw
19	18861145	Lexan arm*
20	40160210	Lever nut*

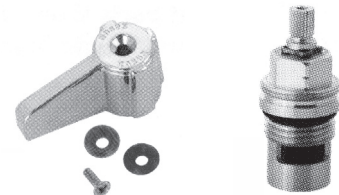


Glass filler repair kit (includes items marked *) 40160244

KASON AQUAWARE ELITE AND T&S BRASS "EQUIP" FAUCET PARTS

Handle kit
PART # 40451042

Cold stem
PART # 40451043
Hot stem
PART # 40451044



TOTAL MAINTENANCE SOLUTIONS

HOUSTON
800/392-5066

ORLANDO
800/327-3022

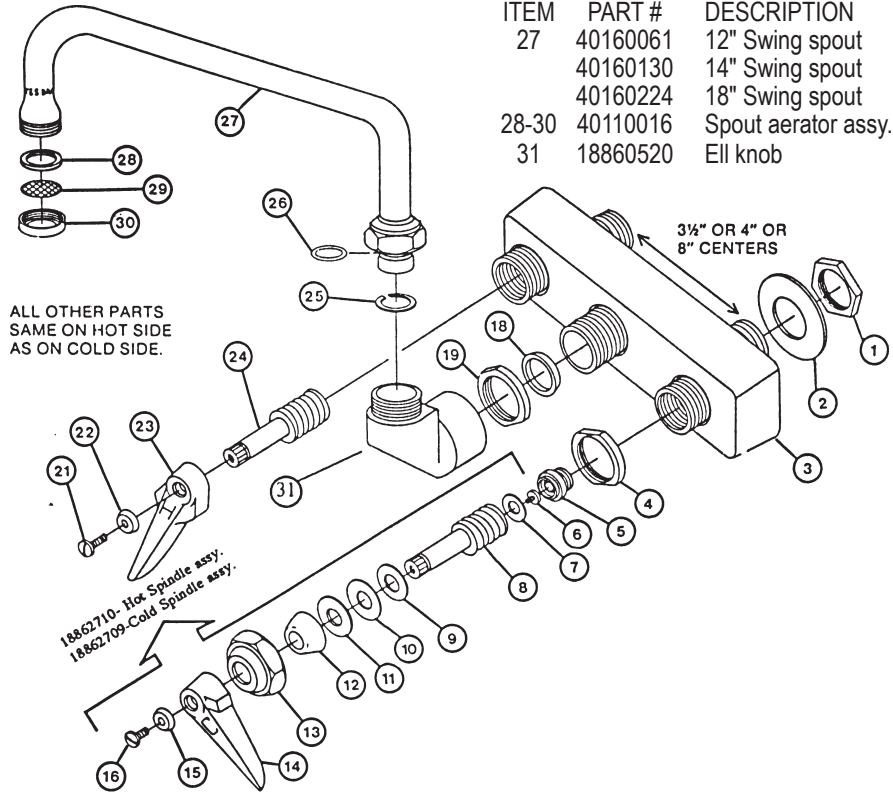
GREENVILLE
800/476-2212

LOOK FOR US ON THE WEB AT: www.TMSSouth.com

FOOD SERVICE

T&S B-1105 SERIES WORKBOARD FAUCETS

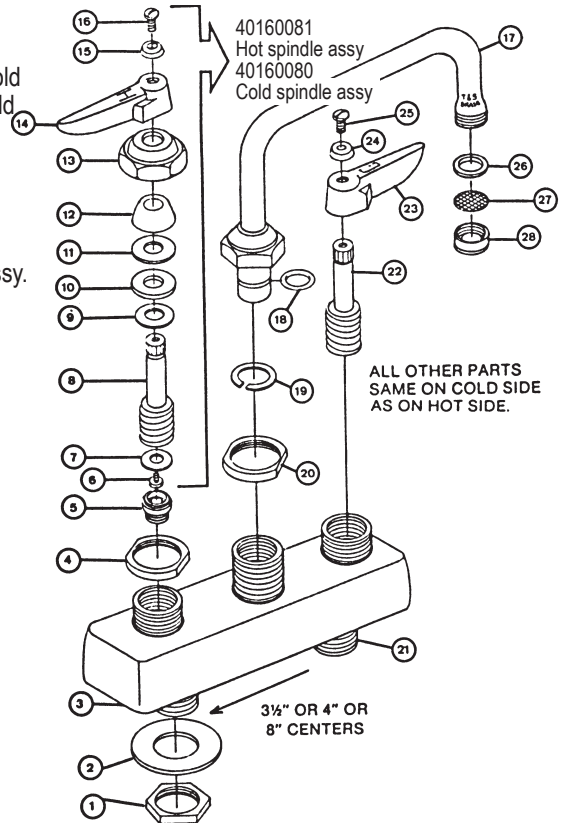
ITEM	PART #	DESCRIPTION
1	40800598	Nut
2	40800529	Washer
3	1258-40	Escutcheon
4	40160229	Lock nut
5	40140113	Removable seat
6	50100020	Seat screw
7	40120162	Seat washer
	40110148	Teflon seat washer
8	40160132	Right hand spindle
9	40160230	Brass washer
10	40160231	Rubber washer
11	40160232	Stainless steel washer
12	40160233	Packing (see note 1)
13	40160234	Bonnet
14	40160096	Lever handle-cold
15	40160221	Index button-cold
16	40120619	Screw
18	18860754	Ring-wedge - NLA
19	40160229	Lock nut
21	40120619	Screw
22	40160220	Index button-hot
23	40160011	Lever handle-hot
24	40160006	Left hand spindle
25	18861028	Washer
26	40950026	O-Ring
27	40160223	6" Swing spout
	40160118	8" Swing spout



ITEM	PART #	DESCRIPTION
27	40160061	12" Swing spout
	40160130	14" Swing spout
	40160224	18" Swing spout
28-30	40110016	Spout aerator assy.
31	18860520	Ell knob

T&S B-1100 SERIES WORKBOARD FAUCETS

ITEM	PART #	DESCRIPTION	ITEM	PART #	DESCRIPTION
1	40800598	Nut	23	40160096	Lever handle-cold
2	40800529	Washer	24	40160221	Index button-cold
3	1258-40	Escutcheon	25	40120619	Screw
4	40160229	Lock nut	26-28	40110016	Spout aerator assy.
5	40140113	Removable seat		40160081	Hot Spindle Assy.
6	50100020	Seat screw		40160080	Cold Spindle Assy.
7	40120162	Seat washer			
	40110148	Teflon seat washer			
8	40160132	Right hand spindle			
9	40160230	Brass washer			
10	40160231	Rubber washer			
11	40160232	Stainless steel washer			
12	40160233	Packing (see note 1)			
13	40160234	Bonnet			
14	40160011	Lever handle-hot			
15	40160220	Index button-hot			
16	40120619	Screw			
17	40160223	6" Swing spout			
	40160118	8" Swing spout			
	40160061	12" Swing spout			
	40160130	14" Swing spout			
	40160224	18" Swing spout			
18	40950026	O-Ring			
19	18861028	Washer			
20	40160229	Lock nut			
21	141-43	Faucet body			
22	40160006	Left hand spindle			



**TOTAL
MAINTENANCE
SOLUTIONS**

HOUSTON
800/392-5066

ORLANDO
800/327-3022

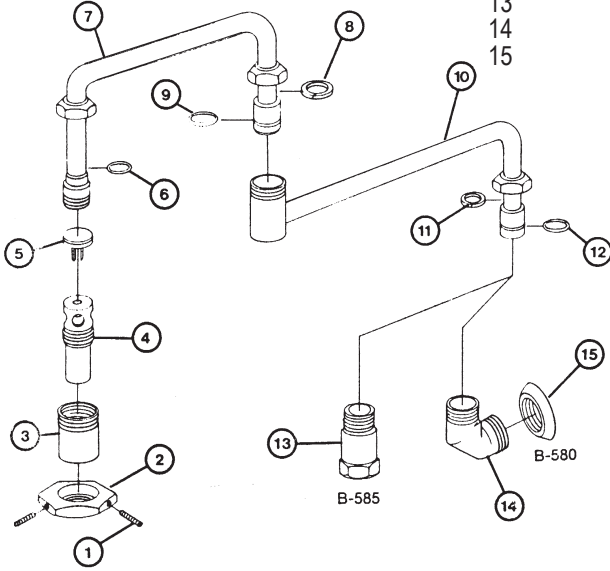
GREENVILLE
800/476-2212

LOOK FOR US ON THE WEB AT: www.TMSSouth.com

FOOD SERVICE

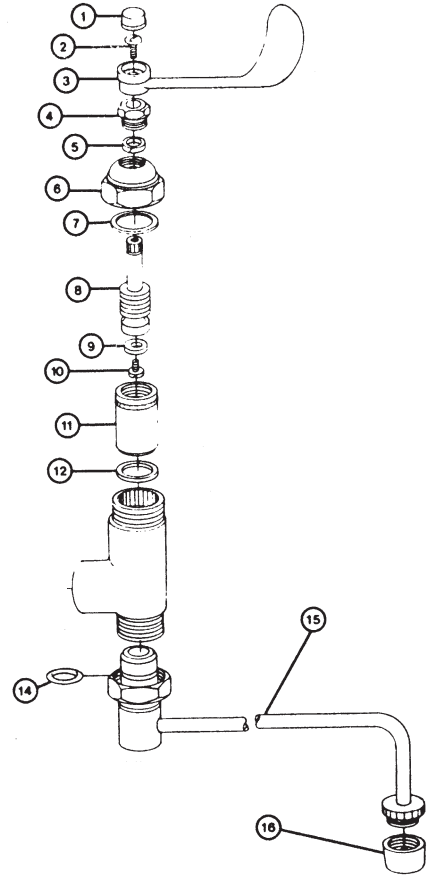
T&S BRASS RANGE FAUCETS B-580, B-585

ITEM	PART #	DESCRIPTION	ITEM	PART #	DESCRIPTION
1		Set Screw	7		Front spout assembly (12" or 6")
2		Bakelite handle	8	18861028	Fibre washer
3		Spout body	9	40950026	O-ring
4		Spout	10		Back spout assembly (12")
5	18861089	Seat washer	11	18861028	Fibre washer
6	40950038	O-ring	12	40950026	O-ring
			13		Body (swivel)
			14		Body
			15		Flange



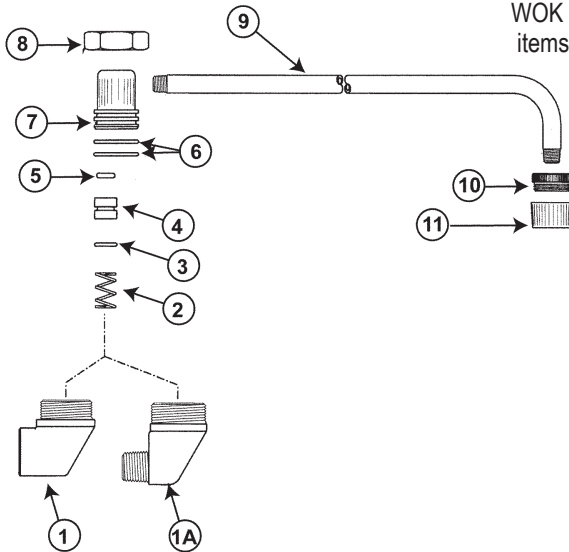
T&S BRASS RANGE FAUCETS

ITEM	PART #	DESCRIPTION
1	40160235	Index button
2	18860925	Handle screw
3	40160087	4" wrist handle
4	40160050	Packing nut
5	40160049	Packing
6	40160048	Bonnet
7	40160047	Bonnet gasket
8	40160007	Spindle RH
9	40110148	Teflon seat washer
10	50100021	Bibb screw
11	40160016	Removable insert
12	40160046	Seat gasket
14	40950026	O-ring
15		Nozzle assembly
16	40110132	Aerator



T&S BRASS WOK WAND

ITEM	PART #	DESCRIPTION	ITEM	PART #	DESCRIPTION
1		B-757	6		O-ring
1A		B-756	7		Swivel piece
2		Spring	8		Swivel nut
3		Side o-ring	9		Nozzle
4		Dynamic bearing	10		Nozzle adapter
5		Dynamic top o-ring	11	40110132	Aerator
				18869030	Repair kit to repair 2 WOK WANDS (includes items 2, 3, 4, 5 & 6)



**TOTAL
MAINTENANCE
SOLUTIONS**

HOUSTON
800/392-5066

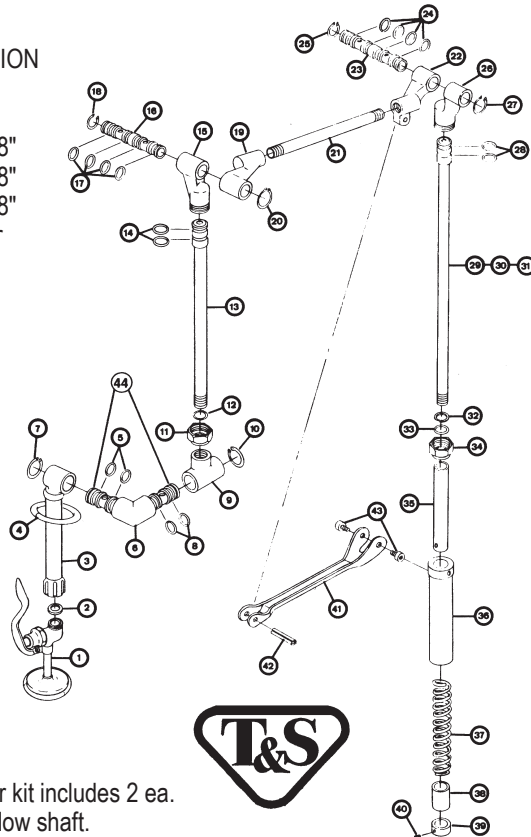
ORLANDO
800/327-3022

GREENVILLE
800/476-2212

LOOK FOR US ON THE WEB AT: www.TMSSouth.com

T&S BRASS B-114 PRE-RINSE

ITEM	PART #	DESCRIPTION	ITEM	PART #	DESCRIPTION
1	40190038	Spray valve	27		Snap ring
2	40160207	Fibre washer	28	40950028	O-ring
3		Handle grip	29		Riser 23-5/8"
4	40160208	Hold down ring	30		Riser 17-5/8"
5	40950028	O-ring	31		Riser 13-5/8"
6		Joint	32	18861455	Slip washer
7		Snap ring	33	40950028	O-ring
8	40950028	O-ring	34		Swivel nut
9		Joint	35	18861122	Nylon tube
10		Snap ring	36		Tube
11		Swivel nut	37	18860899	Spring
12	18861455	Slip washer	38		Spring rest
13		Pipe	39		Support bushing
14	40950028	O-ring	40		Set screw
15		Joint	41		Arm
16		Hollow shaft	42		Pin
17	40950028	O-ring	43		Cap screw
18		Snap ring	44		Swivel PC
19		Joint			
20		Snap ring			
21		Pipe			
22		Joint			
23		Hollow shaft			
24	40950028	O-ring			
25		Snap ring			
26		Joint			



PART # 18869114 – Repair kit includes items 5, 6, 7, 8, 10, 16, 17, 18, 20, 23, 24, 25, 27 & 44.

PART # 18860190 – O-ring repair kit includes 2 ea. snap rings & 4 ea. o-rings for hollow shaft.

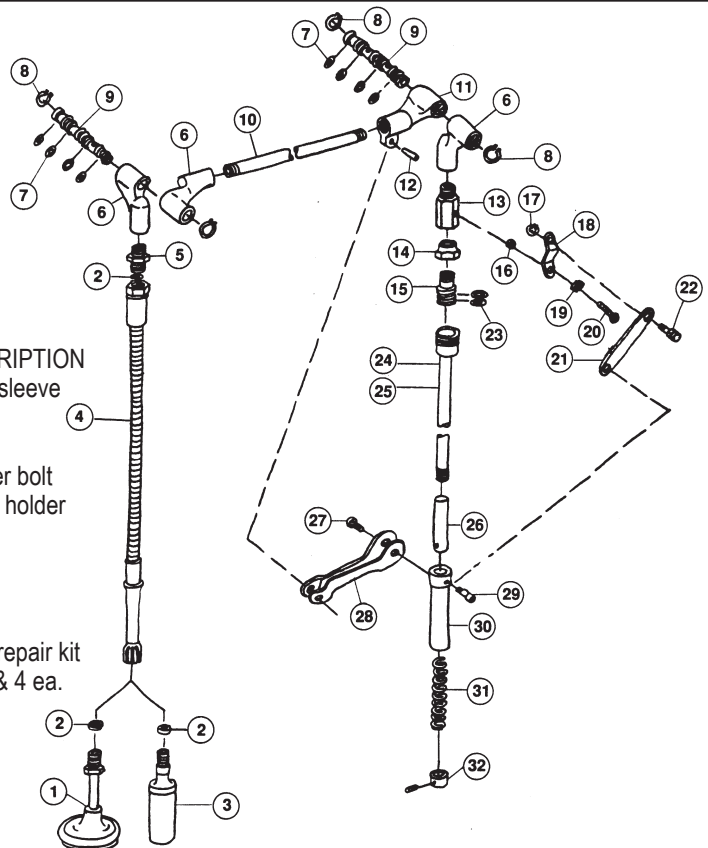
T&S BRASS PRE-RINSE UNIT – B-115, B-116, B-125, B-135 & B-136

ITEM	PART #	DESCRIPTION
1	18865940	Spray head
2	40160207	Washer
3	18865939	Fan jet spray
4	40160079	Flex s/s hose
5		Adapter
6		Knuckle
7	40950028	O-ring
8		Snap ring
9		Hollow shaft
10		Nipple 3/8" x 18"
11		Knuckle
12		Roll pin
13		Ball valve
14		Nut
15		Swivel piece
16		Spacer
17		Snap ring
18		Link arm
19		Star washer
20		Screw
21		Link arm
22		Shoulder bolt
23	40950028	O-ring
24		20" riser
25		16" riser



ITEM	PART #	DESCRIPTION
26	18863395	Nylon sleeve
27		Screw
28		Arm
29		Shoulder bolt
30		Spring holder
31	18860899	Spring
32		Collar

PART # 18860190 – O-ring repair kit – includes 2 ea. snap rings & 4 ea. o-rings for hollow shaft.



TOTAL MAINTENANCE SOLUTIONS

HOUSTON
800/392-5066

ORLANDO
800/327-3022

GREENVILLE
800/476-2212

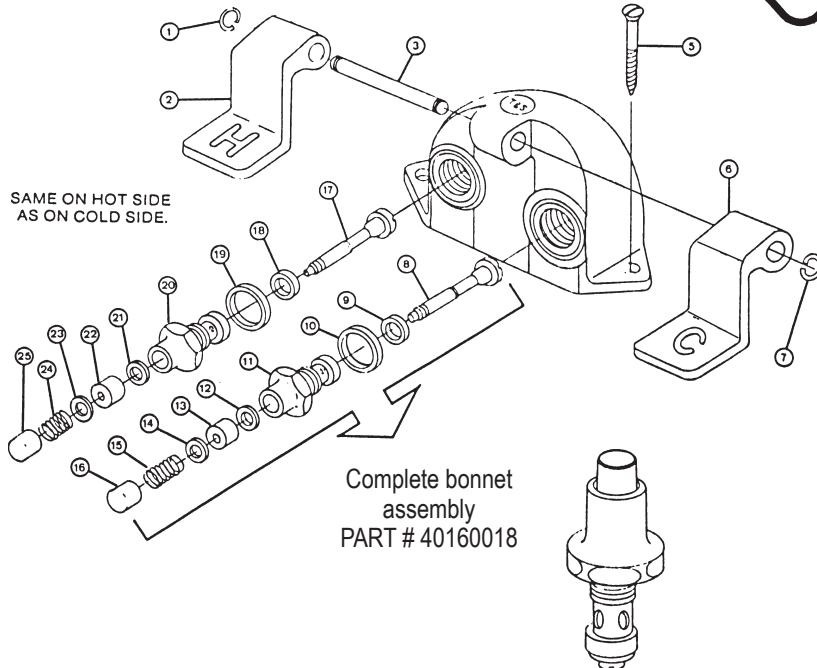
LOOK FOR US ON THE WEB AT: www.TMSSouth.com

FOOD SERVICE



B-502 SERIES PEDAL VALVE

ITEM.	PART #	DESCRIPTION
1	40160142	Snap ring
2	18860092	Hot pedal
3	767-25	Shaft
5	915-45	Mounting screw
6	18860091	Cold pedal
7	40160142	Snap ring
8	40160206	Stem
9	40160099	Seat washer
10	40160205	Binding washer
11	608-45	Bonnet
12	40160203	Brass washer
13	40160236	Packing
14	40160203	Brass washer
15	40160202	Spring
16	40160201	Push-button
17	40160206	Stem
18	40160099	Seat washer
19	40160205	Binding washer
20	40160204	Bonnet
21	40160203	Brass washer
22	40160236	Packing
23	40160203	Brass washer
24	40160202	Spring
25	40160201	Push-button

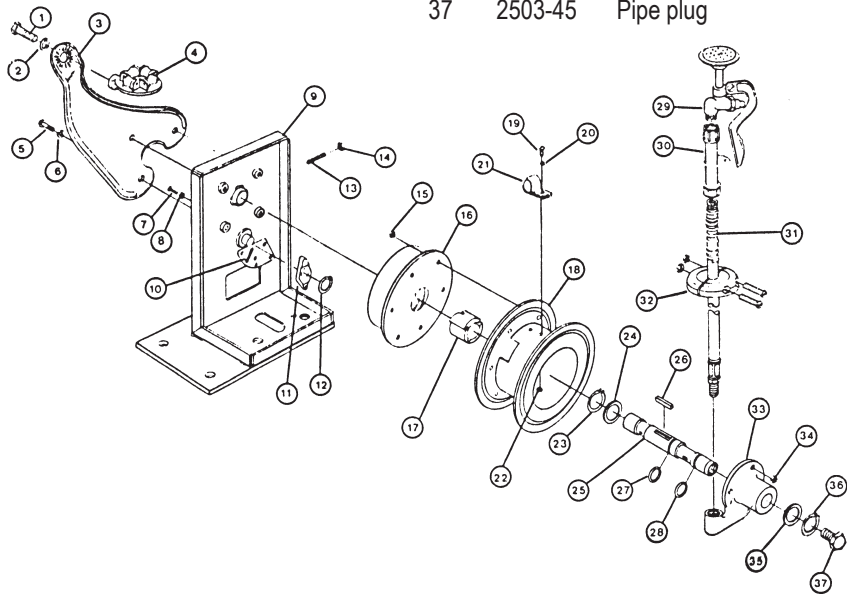


B-1403 REEL CLEAN

ITEM	PART #	DESCRIPTION
1	2495-45	Screw
2	2456-45	Lock washer
3	2496-45	Guide arm
4	2483-45	Guide assembly
5	2506-45	Bolt (3 required)
6	2458-45	Lock washer
7	2505-45	Screw
8	2459-45	Lock washer
9	2497-45	Stand assembly
10	18862446	Ratchet spring
11	2504-45	Ratchet lever
12	18862447	Ratchet ring
13	2463-45	Set screw
14	2498-45	Nut
15	2448-45	Lock nut
16	2469-45	Mainspring, cup & ratchet assy
17	2499-45	Hub spring
18	2502-45	Drum assembly
19	2500-45	Screw
20	2458-45	Washer
21	2501-45	Clamp
22	2457-45	Lock nut
23	18862451	Retainer ring
24	2453-45	Washer
25	2468-45	Mainshaft
26	2481-45	Cotter pin N

ITEM	PART #	DESCRIPTION
27	40950038	O-Ring
28	40950038	O-Ring
29	40160091	Spray valve assembly
30	18862881	Handle assembly
31	40160126	Hose assembly

ITEM	PART #	DESCRIPTION
32	1427-45	Hose stop assembly
33	2467-45	Swivel
34	2448-45	Lock nut (requires 3)
35	2453-45	Washer
36	18862451	Retaining ring
37	2503-45	Pipe plug



**TOTAL
MAINTENANCE
SOLUTIONS**

HOUSTON
800/392-5066

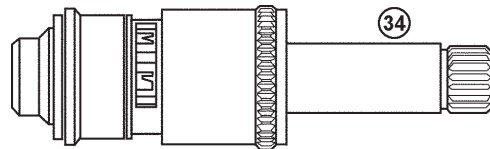
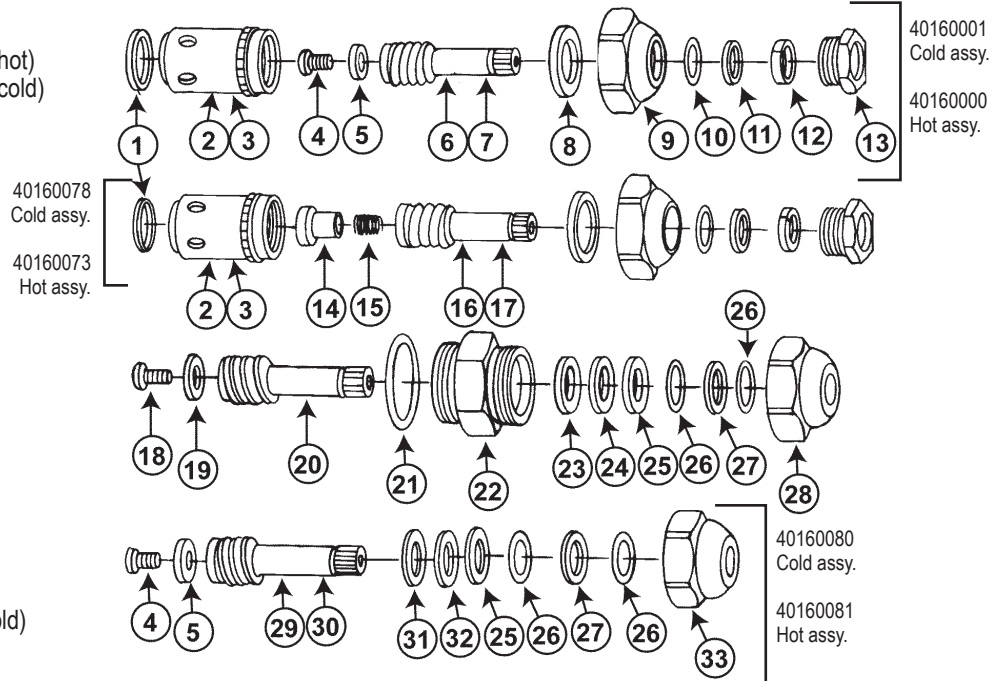
ORLANDO
800/327-3022

GREENVILLE
800/476-2212

LOOK FOR US ON THE WEB AT: www.TMSSouth.com

HOT AND COLD SPINDLE ASSEMBLIES

ITEM	PART #	DESCRIPTION
1	40160046	Bottom gasket
2	40160016	Removable insert (hot)
3	40110017	Removable insert (cold)
4	50100021	Seat screw
5	40120162	Seat washer
	40110148	Teflon seat washer
6	40160007	Spindle - hot
7	40160008	Spindle - cold
8	40160047	Top gasket
9	40160048	Bonnet
10	40160143	O-ring
11	40160237	Washer
12	40160049	Packing
13	40160050	Packing nut
14	40160140	Spring check seat
15	40160014	Spring
16	40160238	Spindle - hot
17	40160239	Spindle - cold
18	50100021	Seat screw
19	40110127	Seat washer
	40110180	Teflon seat washer
20	18860794	Spindle (hot and cold)
21	18862721	O-ring
22	18860685	Removable insert
23	18860976	Brass washer
24	40160231	Rubber washer
25	40160232	Stainless steel washer
26	18861075	O-ring
27	18869752	Washer
28	18869750	Bonnet
29	40160132	Spindle (hot)
30	40160006	Spindle (cold)
31	40160230	Brass washer
32	40160231	Rubber washer
33	40160234	Bonnet (old style)
	18869749	Bonnet (new style)



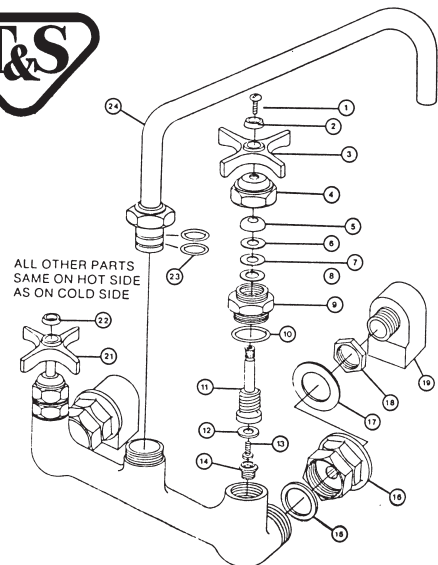
Replaces Eterna Compression cartridge

ITEM	PART #	DESCRIPTION
34	40160094	Ceramic cartridge - hot
	40160095	Ceramic cartridge - cold
	40160134	Ceramic cartridge - hot w/ check
	40160135	Ceramic cartridge - cold w/ check



B-290 SERIES "BIG-FLOW" FAUCETS

ITEM	PART #	DESCRIPTION	ITEM	PART #	DESCRIPTION
1	40120619	Handle screw	14	18860764	Removable seat 11/16 x 18 threads (new style)
2	40160221	Index button-cold		40160148	Removable seat 11/16 x 24 threads (old style)
3	40160138	Four-arm handle (#21)	15	40160139	Washer
4		Bonnet (see note 1)	16	18862895	Coupling flange
5	18861099	Packing (see note 2)	17	40160139	Washer
6	18861020	Fibre washer	18	971-45	Coupling nut
7	40160231	Rubber washer	19	265-20	Inlet EI
8	18860976	Brass washer	21	40160138	Four-arm handle
9	18860685	Insert	22	40160220	Index button-hot
10	18862721	O-ring	23	40950036	O-Ring
11	18860794	Right hand spindle	24	18862896	Nozzle
12	40110127	Rubber seat washer			
	40110180	Teflon seat washer			
13	50100021	Seat screw			
	18866482	Complete stem assembly, items 4-13			



Note 1: NLA - replace with 18869750
 Note 2: Use 2 ea. 18861075 & 1 ea. 18869752 barrel washer



TOTAL MAINTENANCE SOLUTIONS

HOUSTON
800/392-5066

ORLANDO
800/327-3022

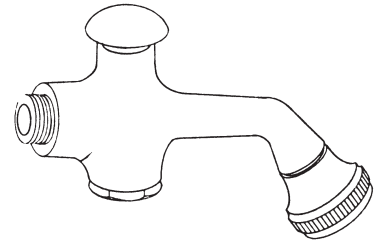
GREENVILLE
800/476-2212

LOOK FOR US ON THE WEB AT: www.TMSSouth.com

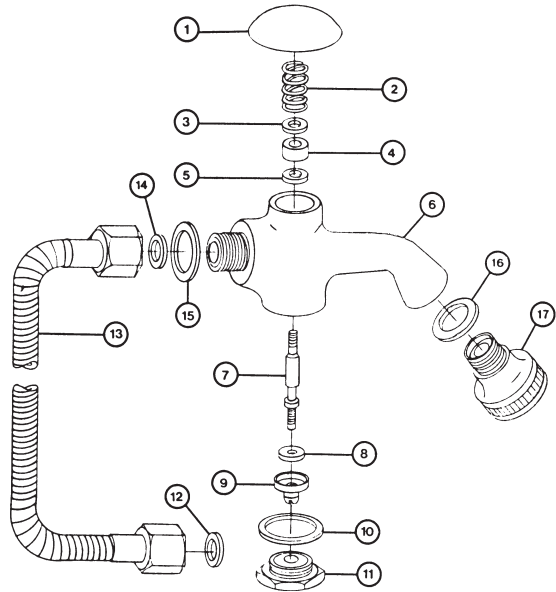
FOOD SERVICE

T & S BRASS B-101 PRE-RINSE SPRAY

ITEM	PART #	DESCRIPTION
1	18860622	Cap
2	18860894	Spring*
3	40160203	Washer*
4	40160236	Packing*
5	40160203	Washer*
6		Body
7	18860826	Stem
8	18861094	Seat washer*
9	18860664	Seat holder
10	18861029	Binding washer*
11	18860623	Hex cap
12	40160207	Washer
13	18861336	36" Flexible S/S hose
14	40160207	Washer
15	18861010	Washer
16	18861043	Washer
17	18862209	Spray head
	40160241	Complete spray valve assembly



COMPLETE SPRAY VALVE ASSEMBLY
TMS PART # 40160241



Repair kit include items marked *
Part # 40160240

T & S BRASS B-1150 WORK BOARD FAUCET – DIVERTER NOZZLE

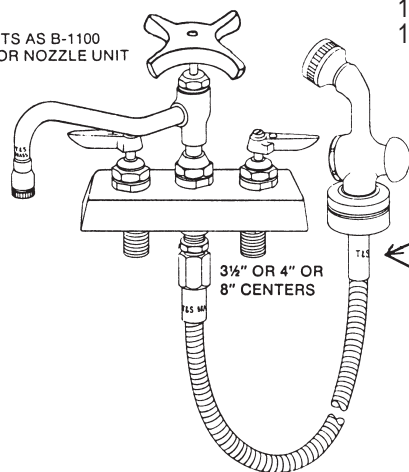
ITEM	PART #	DESCRIPTION
1	40120619	Screw
2	40160138	4-Arm handle
3	18860881	Bonnet
4	18861075	O-ring
5	18861049	Bonnet washer

ITEM	PART #	DESCRIPTION
6	18860876	Slotted washer
7		Top stem
8	18860875	Clearance washer
9	18860893	Spring
10	18860820	Seat holder
11	40160099	Seat washer (brass side up)
12	18860832	Bottom stem
13	40950026	O-ring

ITEM	PART #	DESCRIPTION
14	18860557	Adapter
15	18861043	Washer
16	18860861	Faucet tip
	18862878	Complete nozzle assembly (includes items 1-16)

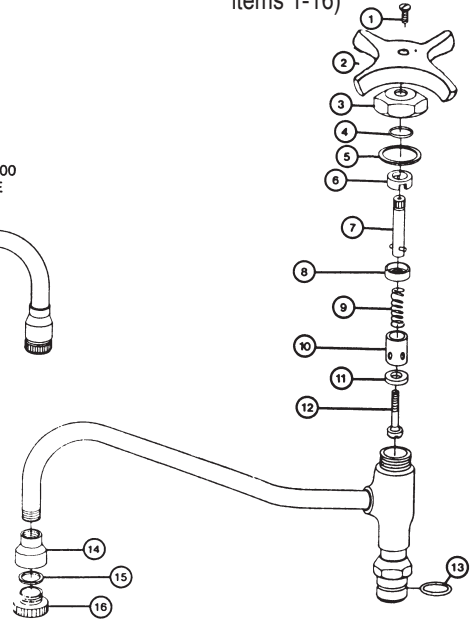
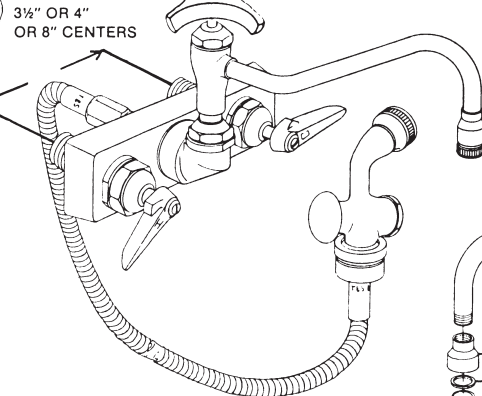
B-1150, 1151, 1152 WORK BOARD FAUCETS

SAME PARTS AS B-1100 EXCEPT FOR NOZZLE UNIT



B-1155, 1156, 1157 WORK BOARD FAUCETS

SAME PARTS AS B-1100 EXCEPT FOR NOZZLE



HOUSTON
800/392-5066

ORLANDO
800/327-3022

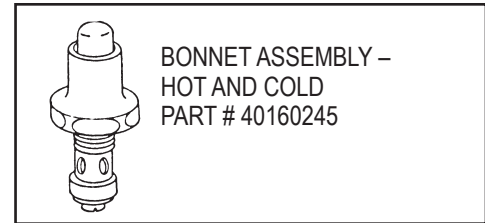
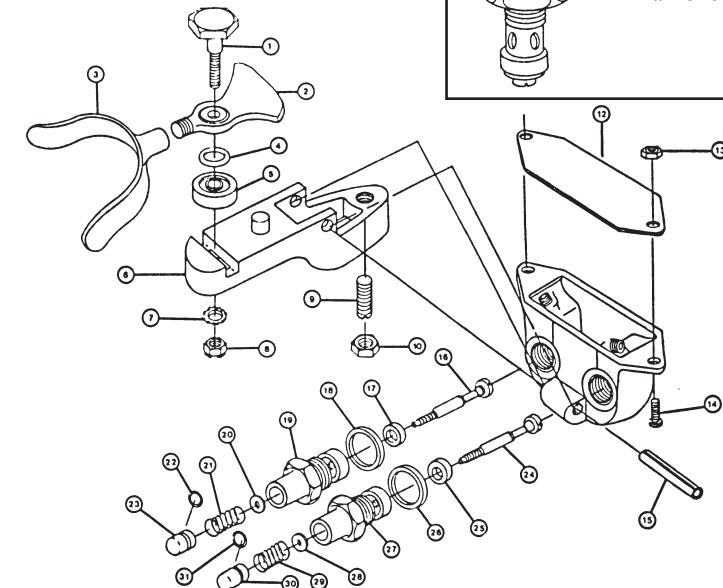
GREENVILLE
800/476-2212

LOOK FOR US ON THE WEB AT: www.TMSSouth.com

T & S BRASS B-475 KNEE ACTION VALVE

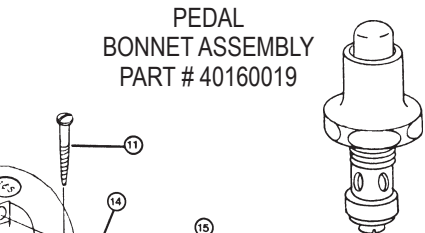
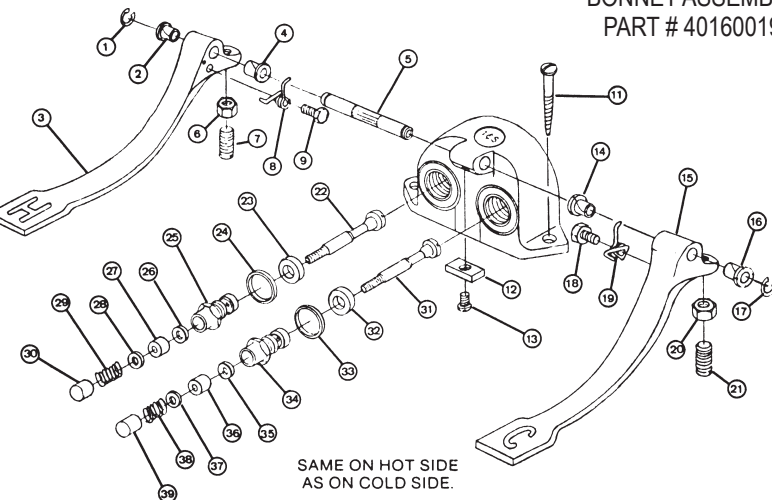


ITEM	PART #	DESCRIPTION
1		Bolt
2		Cam
3		Stirrup
4		O-Ring
5		Bushing
6		Cantilever
7		Star washer
8		Locknut
9		Screw
10		Locknut
12		Cover plate
13		Nut
14		Screw
15		Roll pin
16	18860828	Hot stem
17	40160099	Seat washer
18	40160205	Binding washer
19		Bonnet
20	40160203	Brass washer
21	18860892	Spring
22	18861075	O-Ring
23	18865342	Button
24	40160206	Cold stem
25	40160099	Seat washer
26	40160205	Binding washer
27		Bonnet



T & S BRASS B-504 DOUBLE PEDAL VALVE

ITEM	PART #	DESCRIPTION
1	40160142	Snap ring
2	18861602	Nylon bushing
3	18860240	Hot pedal
4	18861602	Nylon bushing
5		Shaft
6	18860952	Nut
7	18861123	Adjusting screw
8	18860886	Spring-left hand
9	18861483	Spring screw
11		Mounting screw
12		Nylon block
13		Screw
14	18861602	Nylon bushing
15	18860239	Cold pedal
16	18861602	Nylon bushing
17	40160142	Snap bushing
18	18861483	Spring screw
19	18860887	Spring-right hand
20	18860952	Nut
21	18861123	Adjusting screw
22	40160206	Stem
23	40160099	Seat washer
24	40160205	Binding washer
25	18860608	Bonnet



SAME ON HOT SIDE AS ON COLD SIDE.



TOTAL MAINTENANCE SOLUTIONS

HOUSTON
800/392-5066

ORLANDO
800/327-3022

GREENVILLE
800/476-2212

LOOK FOR US ON THE WEB AT: www.TMSSouth.com

FOOD SERVICE

T & S BRASS REPAIR KITS

PART #	DESCRIPTION
40160129	B-6K Parts kit for "Eterna" faucets
40160242	B-50P Parts kit for foot pedal valves
40160105	B-10K Parts kit for B-107 Spray valve
40160243	B-20K Parts kit for B-1100 series faucets
40160244	B-1255 Parts kit for push back glass fillers
18860408	B-16K Parts kit for push button valve
40160020	B-9K lever handle kit
18861114	B-0114-K repair kit for old style pre-rinse unit
18862230	B-30K Range faucet Parts kit



B-1255 KIT FOR PUSH BACK GLASS FILLERS #40160244

QTY	PART #	DESCRIPTION
2	18860894	Springs
1	40160209	Handle screw
1	40160210	Handle nut
2	40160203	Brass washers
2	18861029	Cap washers
2	18861094	Seat washers
2	40160236	Packing
1	18861145	Lexan lever arm

B-20K KIT FOR B-1100 FAUCETS #40160243

QTY	PART #	DESCRIPTION
1	40160132	Spindle-Hot
1	40160006	Spindle-Cold
4	18860933	Bibb screws
2	40160230	Bonnet washers
2	40160232	S/S bonnet washers
2	40950026	O-Ring
4	40120162	Seat washer
4	40160233	Dome packing
8	18861075	O-rings

B-16K KIT FOR PUSHBUTTON VALVE #18860408

QTY	PART #	DESCRIPTION
1	18860894	Spring
2	40160203	Bonnet washers
2	40160207	Hose washers
2	18861029	Hex cap washers
2	18861094	Seat washer
2	40160236	Packings

B-30K RANGE FAUCET PARTS KIT #18862230

QTY	DESCRIPTION
1	Spring
4	O-rings
2	O-rings
2	O-rings
2	Bearing

B-6K KIT "ETERNA FAUCETS" #40160129

QTY	PART #	DESCRIPTION
1	40160016	Removable insert – hot
1	40160017	Removable insert – cold
1	40160007	Spindle – hot
1	40160008	Spindle – cold
6	18860933	Bibb screws
12	40160047	Gaskets
12	40160046	Seat gaskets
24	40120162	Seat washers
6	40160049	Packings

B-50P KIT FOR FOOT PEDAL VALVES #40160242

QTY	PART #	DESCRIPTION
4	40160206	Valve stems
4	40160202	Springs
4	40160203	Bonnet washers
4	40160205	Binding washers
4	40160099	Seat washers
4	40160236	Packing stem
4		Seat washer

B-9K LEVER HANDLE KIT #40160020

QTY	PART #	DESCRIPTION
1	40160011	Lever handle – hot
1	40160096	Lever handle – cold
1	40160220	Index button, red, hot
1	40160221	Index button, blue, cold
2	40120619	Lever handle screws

B-0114-K REPAIR KIT FOR OLD STYLE PRE-RINSE UNIT # 18861114

Includes Parts to repair both knuckles and elbow. Parts for the old-style B-0114 pre-rinse unit include:

QTY	DESCRIPTION
2	Knuckle joint assemblies
1	Elbow joint assembly

B-10K KIT FOR B-107 VALVE #40160105

QTY	PART #	DESCRIPTION
2	18860855	Bonnet springs
2	40160203	Bonnet washers
2	40160207	Hose washers
2	40160205	Binding washers
2	40160099	Seat washers
2	40160154	Rubber rings
2	40160236	Packings



TOTAL MAINTENANCE SOLUTIONS

HOUSTON
800/392-5066

ORLANDO
800/327-3022

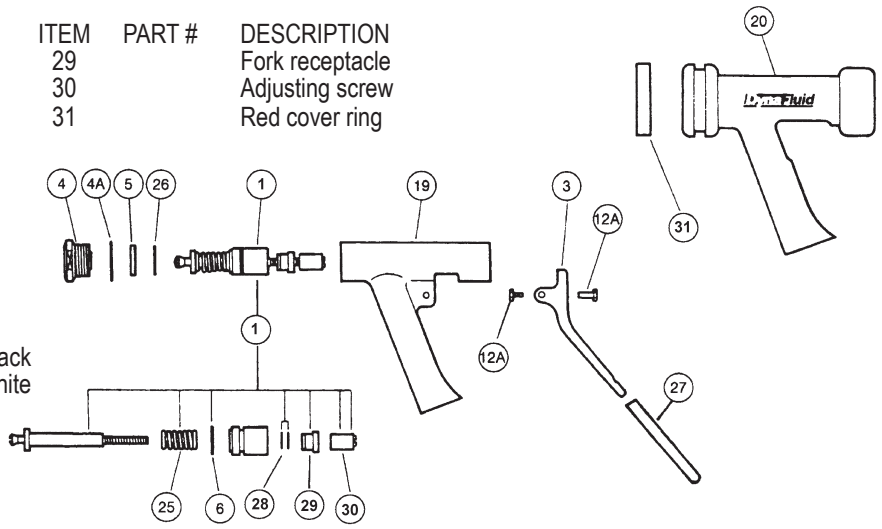
GREENVILLE
800/476-2212

LOOK FOR US ON THE WEB AT: www.TMSSouth.com

FOOD SERVICE

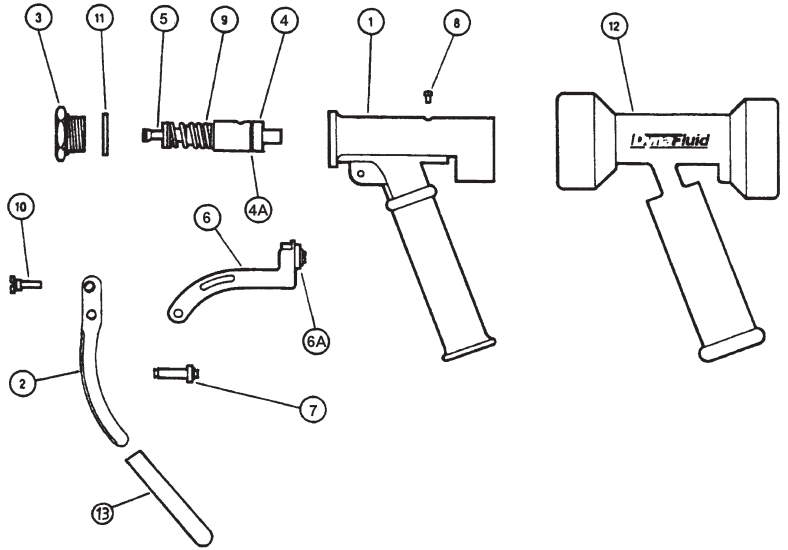
T&S BRASS WATER GUN MODEL 516

ITEM	PART #	DESCRIPTION
1		Renewable cartridge inc. working Parts
3		Lever arm
4		Nose piece
4A		Nose piece (plastic)
5		Fibre washer
6		Seat gasket
12		Cartridge gasket (body seal)
19		Lever arm screw (old type)
19		Body – gunmetal
19		Body – plastic
20		Renewable rubber cover – black
20		Renewable rubber cover – white
25		Spring
26		Anti-blow off washer
27		Trigger sleeve
28		Spindle o-ring



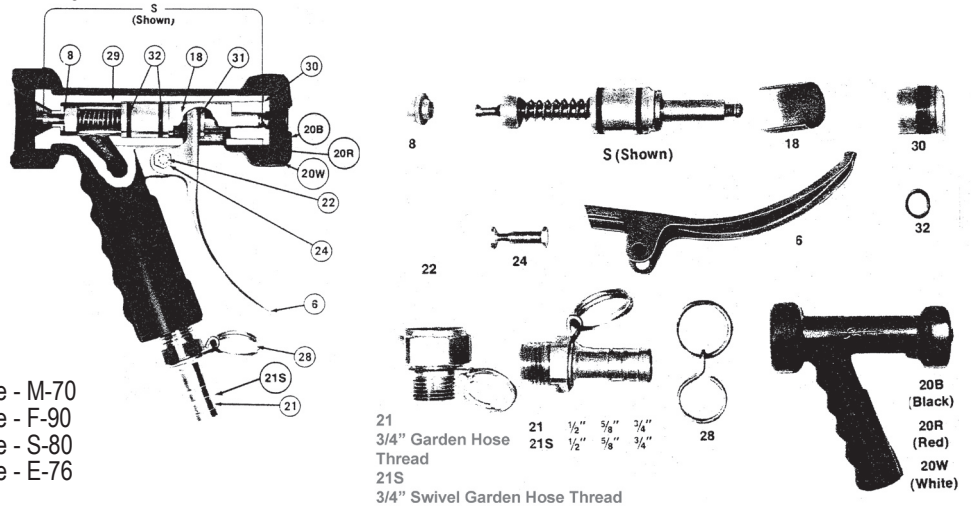
T & S BRASS WATER GUN MODEL 522

ITEM	PART #	DESCRIPTION
1		Body
2		Trigger
3		Nozzle piece
4		Cartridge unit
4A		Spindle o-ring
5		Meter & shut-off assembly (specify model)
6		Actuator fork & spindle
6A		Actuator fork, locking washer & screw
7		Trigger sleeve set (after 2/93)
8		Spindle housing anchor screw and washer
9		Main spring
10		Trigger pivot pin
11		Nozzle piece washer
12		Body cover (specify color)
13		Trigger sleeve



STRAHMAN WATER-SAVER NOZZLE M-70

ITEM	PART #	DESCRIPTION
6		Arm
8		S/S seat
18		Cage
20		Rubber cover
21		Hose adapter
21S		Swivel connector
22		Lever arm bushing
24		Lever arm screw
28		Locking ring assy.
29		Body
30		Lock screw
31		Stem guide
32		Body seal o-rings
S		Renewable cartridge - M-70
		Renewable cartridge - F-90
		Renewable cartridge - S-80
		Renewable cartridge - E-76



**TOTAL
MAINTENANCE
SOLUTIONS**

HOUSTON
800/392-5066

ORLANDO
800/327-3022

GREENVILLE
800/476-2212

LOOK FOR US ON THE WEB AT: www.TMSSouth.com

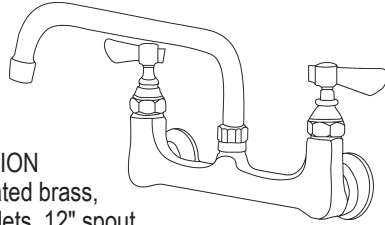
FOOD SERVICE



**PRO CHOICE
COMMERCIAL FAUCETS**

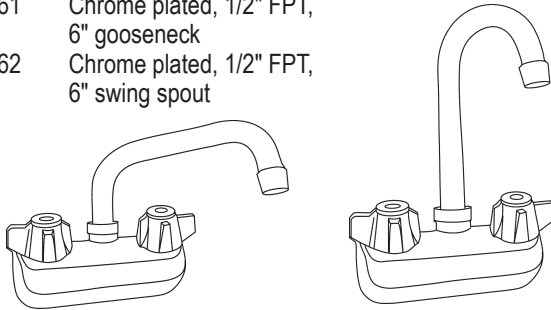
**TMS HEAVY DUTY
WALL MOUNT FAUCET
- 8" CENTERS**

PART #	DESCRIPTION
40180026	Chrome plated brass, 1/2" FPT inlets, 12" spout



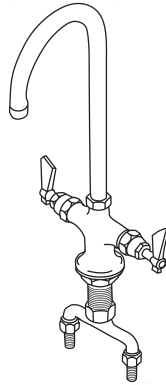
**TMS MEDIUM DUTY DECK MOUNT -
4" CENTER FAUCETS**

PART #	DESCRIPTION
40103161	Chrome plated, 1/2" FPT, 6" gooseneck
40103162	Chrome plated, 1/2" FPT, 6" swing spout



TMS DECK MOUNT PANTRY FAUCET

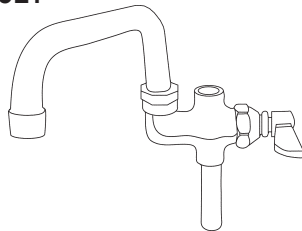
PART #	DESCRIPTION
40103111	Chrome plated brass, 1/2" FPT inlets, 10" twin seal tubular swing gooseneck spout



TMS PRE-RINSE ADD-ON FAUCET

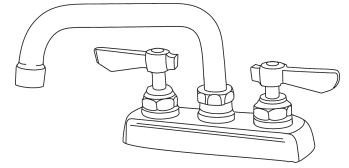
Connects to 3/8" pre-rinse riser.
Chrome plated brass.
Fits all manufacturers

PART #	DESCRIPTION
40103614	6"
40101412	12"



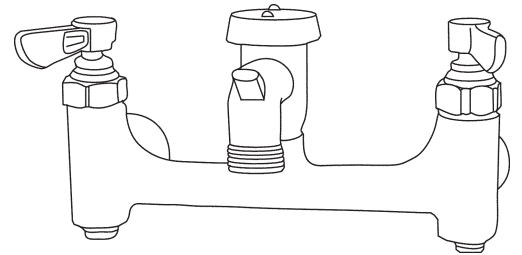
TMS HEAVY DUTY DECK MOUNT - 4" CENTER FAUCET

PART #	DESCRIPTION
40103105	Chrome plated brass, 1/2" FPT inlets, 6" spout
40103104	Chrome plated brass, 1/2" FPT inlets, 6" gooseneck



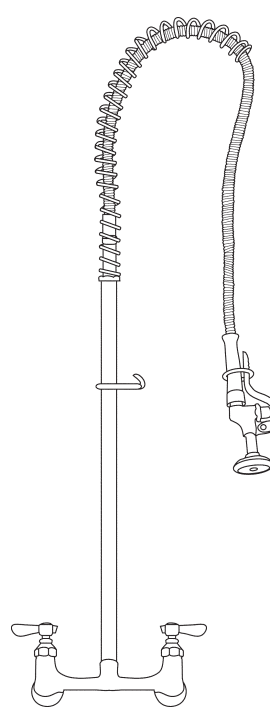
**TMS SERVICE SINK FAUCET -
8" CENTERS, 2-1/2" SPOUT**

PART #	DESCRIPTION
40100186	Satin chrome plated brass, 7-1/2" to 8-1/2" wall centers, 1/2" FPT inlets, integral check stems



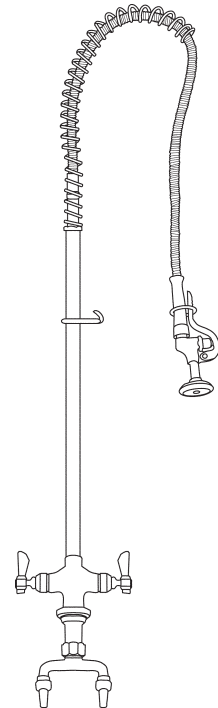
**TMS WALL MOUNT
PRE-RINSE - 8" CENTER**

PART #	DESCRIPTION
40103013	Chrome plated brass riser, 1/2" FPT, with wall bracket



**TMS DECK MOUNT
PRE-RINSE**

PART #	DESCRIPTION
40103612	Chrome plated brass riser, 1/2" MIP inlets with wall bracket



**TOTAL
MAINTENANCE
SOLUTIONS**

HOUSTON
800/392-5066

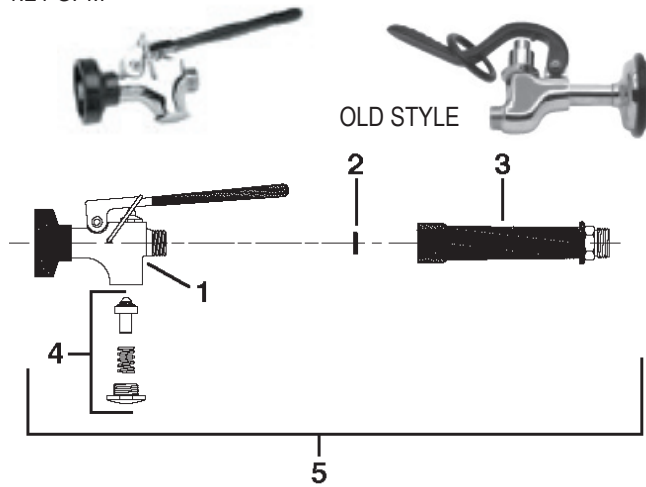
ORLANDO
800/327-3022

GREENVILLE
800/476-2212

LOOK FOR US ON THE WEB AT: www.TMSSouth.com

ZURN PRE-RINSE

G62739 SPRAY VALVE
1.24 GPM



REPLACEMENT PARTS

ITEM	PART #	DESCRIPTION
1	40451036	Valve body with rubber dish guard and rubber handle guard
2		Gasket
3		Thermoplastic handle with brass insert
4	40451038	Valve repair kit
5		Pre-rinse assembly

PRE-RINSE REPAIR PARTS FOR OLD STYLE VALVE

Old Style Valve (see above)
40451037

Self Closing Cartridge
PART # 40451039

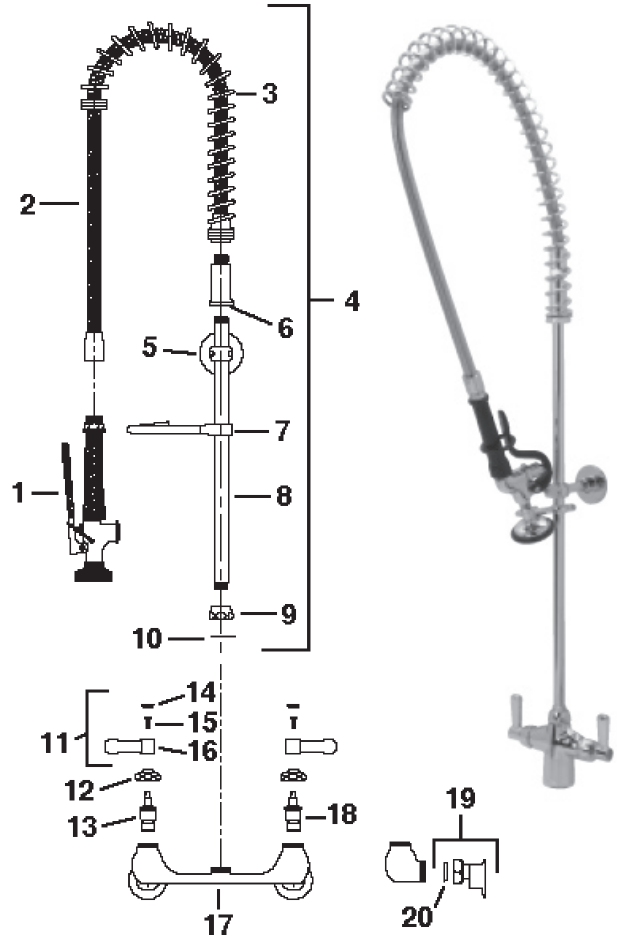
Spray Face Repair Kit
PART # 40451040



Z8000-HI PRE-RINSE REPLACEMENT HOSE

Pre-rinse hose with 6" insulated handle.
36"

PART # 40451041



Z842X1 REPLACEMENT PARTS

ITEM	PART #	DESCRIPTION
1		Pre-rinse unit
2	40451041	Stainless steel hose
3	40160042	Spring
4		X spout riser support assembly
5	40160043	Pre-rinse pipe support
6	40160052	Riser adaptor outlet
7	40160137	Hook and screw
8	40160053	Riser tube - 24"
9		Adaptor, riser inlet
10		Gasket
11	32990100	Vandal resistant metal lever handles
12	32990150	Handle nut
13	40160037	Short hot cartridge
14		Hot/Cold color-coded indexes
15	50100013	10-32 screw
16	32990140	Lever handle
17		Sink body
18	40160036	Short cold cartridge
19		Short supply arm assembly w/ check stops
20		Gasket

FOOD SERVICE

ZURN PRE-RINSE

Z826X1 REPLACEMENT PARTS

ITEM	PART #	DESCRIPTION
1		Pre-rinse unit
2	40451041	Stainless steel hose
3	40160042	Spring
4		Riser adapter outlet
5	40160043	Pre-rinse pipe support
6	40160137	Hook and screw
7		Adaptor, riser inlet
8		Gasket
9		X spout riser support assembly
10	40160037	Short hot cartridge
11	40160036	Short cold cartridge
12		Double lab body
13		Handle nut
14	32990100	Lever handle assembly
15		Hot/cold color-coded indexes
16	50100013	10-32 screw
17	32990140	Lever handle
18		Mounting hardware
19		Gasket
20		Washer
21		Mounting nut
22		Mixing yoke w/ check stops
23		1/2" Riser nut
24	40160053	Riser tube

Z85500 REPLACEMENT PARTS

ITEM	PART #	DESCRIPTION
1		Body assembly
2	40451039	Self closing valve assembly
3	40160188	Short hot foot pedal
4	40160189	Short cold foot pedal
5		10-32 screw
6		Wall anchor
7		1-1/2" wood screw

Did You Know?

If every household in America had a faucet that dripped once each second, 928 million gallons of water a day would leak away...
 (Fix those faucets with parts from TMS!
 We specialize in hard to find items!)



**TOTAL
MAINTENANCE
SOLUTIONS**

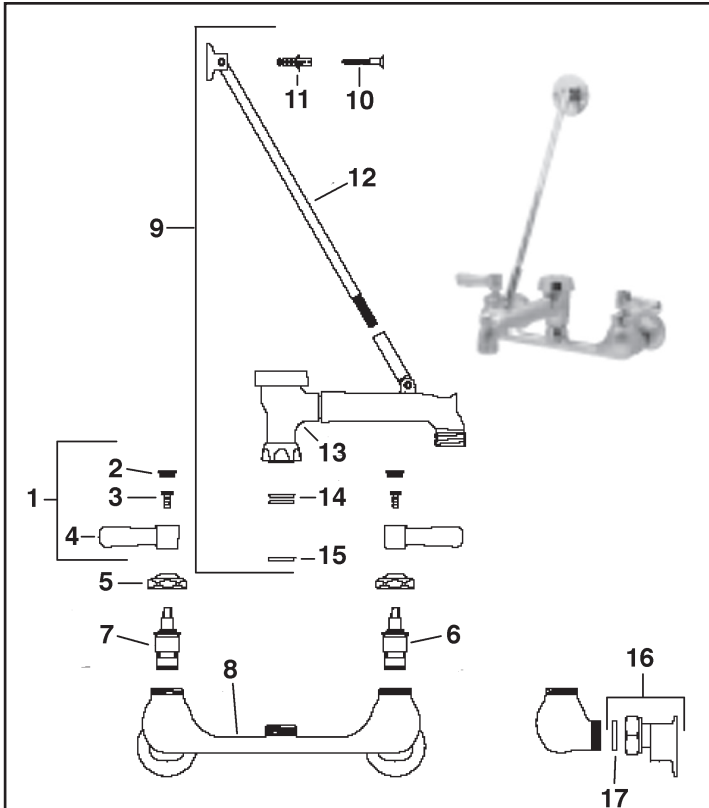
HOUSTON
800/392-5066

ORLANDO
800/327-3022

GREENVILLE
800/476-2212

LOOK FOR US ON THE WEB AT: www.TMSSouth.com

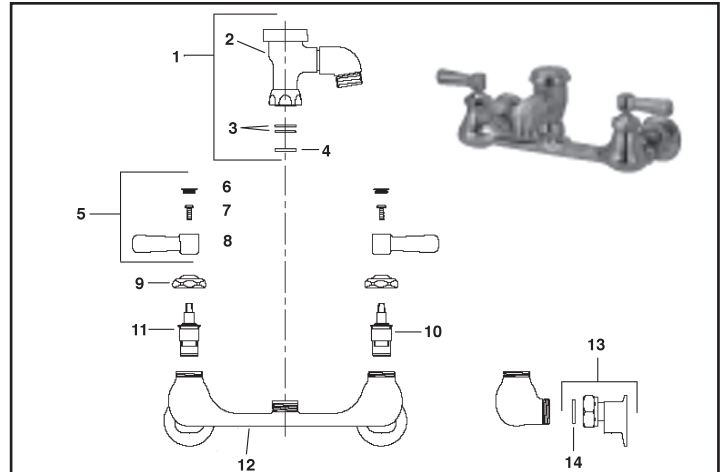
ZURN SERVICE SINK FAUCETS



Z842M1-RC REPLACEMENT PARTS

ITEM	PART #	DESCRIPTION
1	32990100	Vandal resistant metal lever handles
2		Hot/cold color-coded indexes
3	50100013	10-32 screw
4	32990140	Lever handle
5	32990150	Handle nut
6	40160036	Short cold cartridge
7	40160037	Short hot cartridge
8		Sink body
9		'M' vacuum breaker spout assembly – RC
10		Flat head wood screw
11		Plastic anchor
12		Wall bracket/rod assembly
13		'M' vacuum breaker spout sub-assembly – RC
14	32990190	O-ring
15	40160186	Spacer washer
16		Short supply arm assembly
17		Gasket

VACUUM BREAKER REPAIR KIT
PAGE 2-38



Z842L1-RC REPLACEMENT PARTS

ITEM	PART #	DESCRIPTION
1		"L" vacuum breaker spout assembly – RC
2		"L" vacuum breaker spout sub-assembly – RC
3	32990190	O-ring
4	40160186	Rigid washer
5	32990100	Vandal resistant metal lever handles
6		Hot/cold color-coded indexes
7	50100013	10-32 screw
8		Lever handle
9	32990150	Handle nut
10	40160036	Short cold cartridge
11	40160037	Short hot cartridge
12		Sink body
13		Short supply arm assembly
14		Gasket

VACUUM BREAKER REPAIR KIT
PAGE 2-38

Did You Know?

- Human brains are 75% water
- Human bones are 25% water.
- Human blood is 83% water.



TOTAL MAINTENANCE SOLUTIONS

HOUSTON
800/392-5066

ORLANDO
800/327-3022

GREENVILLE
800/476-2212

LOOK FOR US ON THE WEB AT: www.TMSSouth.com

FOOD SERVICE

WATER SAVING IDEAS FROM TMS

TMS'S DISH TABLE TROUGH KIT

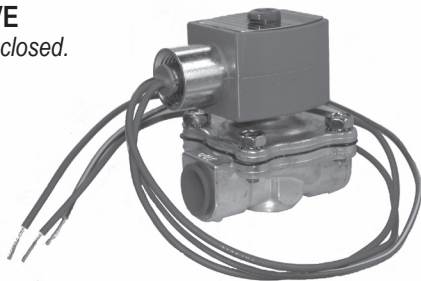
Controls water flow to trough on dish table. Adjustable timer allows water to run from 5 to 25 seconds. Water flow is started by pushing the contact button. Unit requires 110V service. Unit attaches to leg of dishtable.
PART # 30100055



SOLENOID VALVE

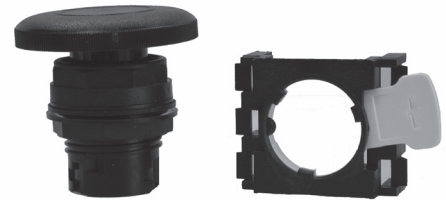
1/2" valve normally closed.
PART # 30100056

Repair Kit
PART # 65301040



REPLACEMENT PARTS FOR DISH TABLE TROUGH KIT

OPERATOR
PART # 65301012



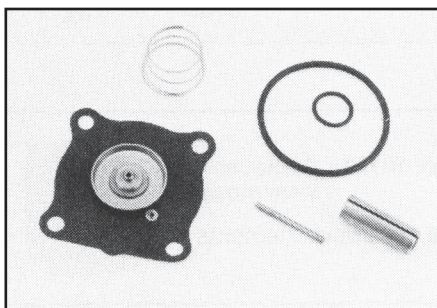
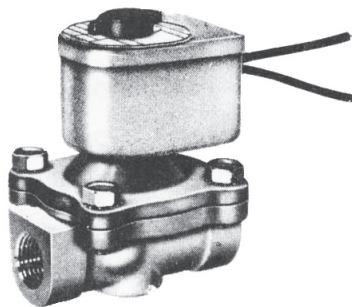
CONTACT BLOCK
PART # 65301014

SOLID STATE TIMER CUBE
PART # 65301010



ASCO SOLENOID VALVE REPAIR KIT

PART #	SIZE	RATING
59481050	3/8", 1/2"	Hot water
59481052	3/4"	Hot water
59481056	3/8", 1/2", 3/4"	Steam



Did You Know?

- It takes 5700 liters of water to make a barrel of beer.
- It takes 44 liters of water to process one chicken.
- A barrel of crude oil requires 7000 liters.
- 35 liters of water are required to process a can of fruit or vegetables



**TOTAL
MAINTENANCE
SOLUTIONS**

HOUSTON
800/392-5066

ORLANDO
800/327-3022

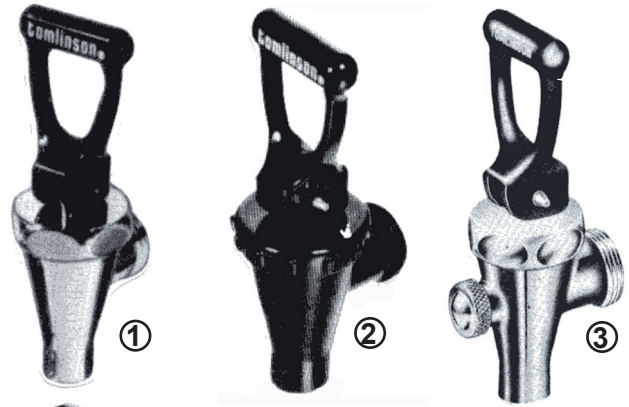
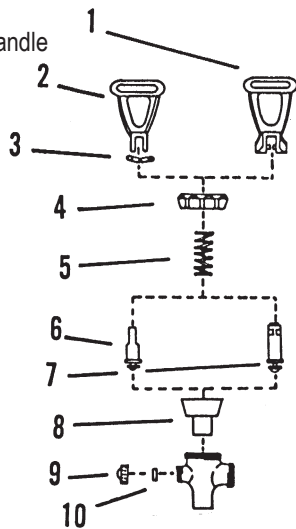
GREENVILLE
800/476-2212

LOOK FOR US ON THE WEB AT: www.TMSSouth.com

FOOD SERVICE

PARTS FOR TOMLINSON "S" SERIES FAUCETS

ITEM	PART #	DESCRIPTION
1	31482011	New style pinless handle – black
	31482012	New style pinless handle – red
2	31482001	Old style pinned handle – black
	31482010	Old style pinned handle – red
3	31482002	Pin
4	31482003	Chrome bonnet
	31482103	Plastic bonnet
5	31482004	Spring
6	31482005	Metal stem for pinned handle
1-6	31482009	Pinned upper assembly
1-6	31482014	Pinless upper assembly
7	31482013	Plastic stem for pinless handle
8	31482006	Seat cup (1-1/4" dia.)
9	31482008	Cap
10	31482007	Cap washer



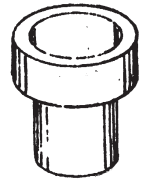
TOMLINSON URN FAUCETS

ITEM	PART #	DESCRIPTION
1	31486010	Chrome plated brass urn faucet
2	31486012	Black plastic urn faucet
3	31486014	Chrome plated brass urn faucet with C/O
4	31486016	Chrome plated brass urn faucet w/ aerator



TOMLINSON SEAT CUPS

PART #	DESCRIPTION
31482006	Large seat cup 1-1/4" top diameter
31482306	Medium seat cup 15/16" top diameter
31482206	Small seat cup 13/16" top diameter



KROWNE 20-GAUGE BASIC HANDSINK

NSF approved, deep-drawn sink bowl design made of heavy gauge type 304 series stainless steel. Overall size is 15-1/2" square. PART # 40611001

With faucet & drain PART # 40611000



NEED A KITCHEN SINK CALL US FIRST!



TOTAL MAINTENANCE SOLUTIONS

HOUSTON
800/392-5066

ORLANDO
800/327-3022

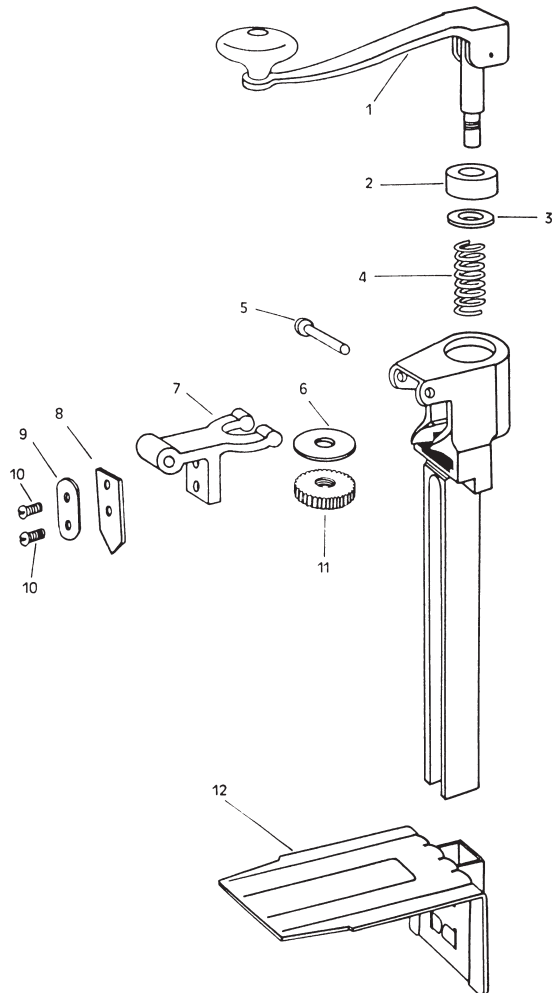
GREENVILLE
800/476-2212

LOOK FOR US ON THE WEB AT: www.TMSSouth.com

EDLUND CAN OPENERS

MODEL 1 & 2

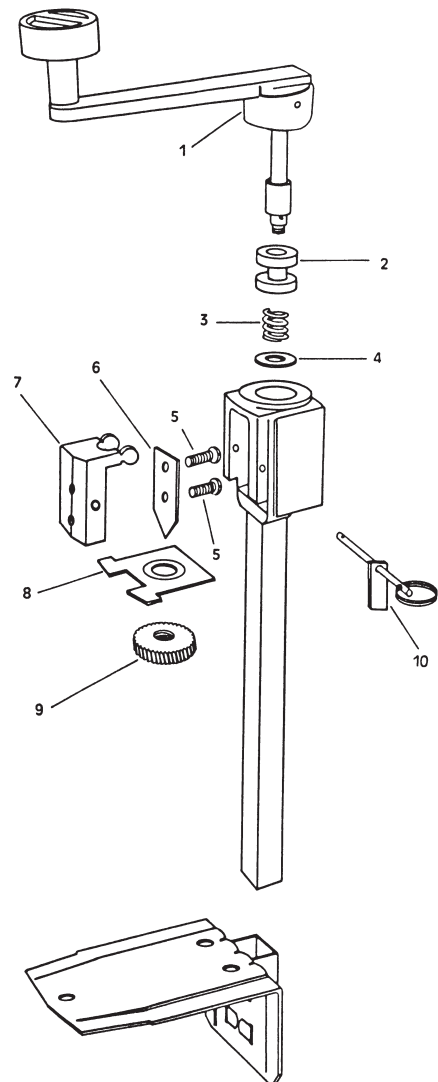
ITEM	DESCRIPTION	MODEL 1 PART #	MODEL 2 PART #
1	Handle with arbor	*	*
2	Bushing	53501001	53501012
3	Spring washer	53501034	53501036
4	Spring	53501038	53501040
5	Knife holder rivet	53501033	53501035
6	Disc washer	53501010	
7	Knife holder	53501037	53501039
8	Knife	53501005	53501016
9	Knife plate	53501006	
10	Knife screw	53501008	53501008
11	Gear	53501003	53501014
12	Base	*	*



Complete units with base are available.
Specify model 1 or 2
* Indicates item is available

MODEL 10 & 20

ITEM	DESCRIPTION	MODEL 10 PART #	MODEL 20 PART #
1	Handle with arbor	*	*
2	Bushing	53501048	53501057
3	Spring	53501049	53501058
4	Spring washer	53501050	53501050
5	Knife screw	53501044	53501044
6	Knife	53501005	53501016
7	Knife holder	53501043	53501053
8	Can guide	53501052	53501059
9	Gear	53501051	53501060
10	Pull pin with tool	53501045	53501054



Complete units with base are available.
Specify model 10 or 20
* Indicates item is available



**TOTAL
MAINTENANCE
SOLUTIONS**

HOUSTON
800/392-5066

ORLANDO
800/327-3022

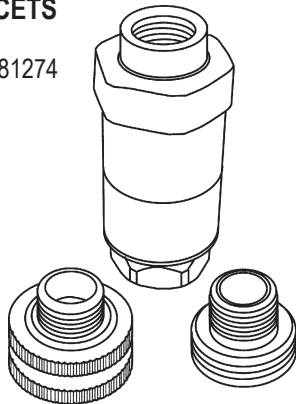
GREENVILLE
800/476-2212

LOOK FOR US ON THE WEB AT: www.TMSSouth.com

FOOD SERVICE

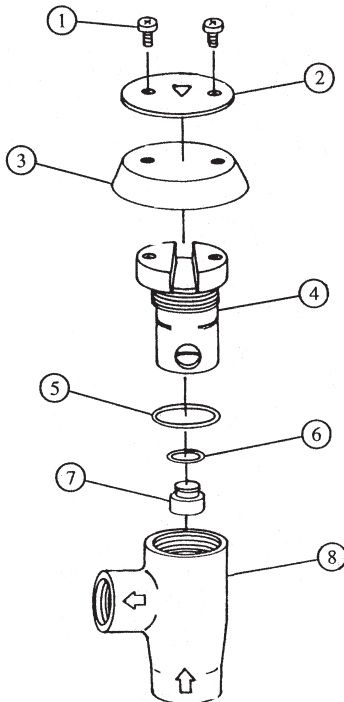
**WATTS REGULATOR H7C
DUAL CHECK BACKFLOW
PREVENTER FOR SERVICE
SINK FAUCETS**

PART # 40581274

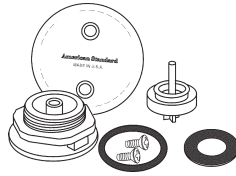


**T & S BRASS B-968 & B-969
ATMOSPHERIC VACUUM BREAKER**

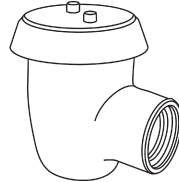
PART # DESCRIPTION
40110154 Repair kit for 3/8" vacuum breaker. Contains items 4-7
40110065 Repair kit for 1/2" vacuum breaker. Contains items 4-7



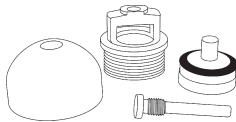
VACUUM BREAKER REPAIR KITS



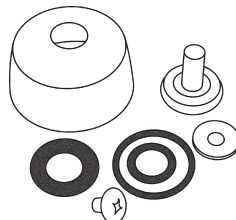
AMERICAN STANDARD
PART # 40110057



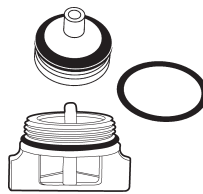
CHICAGO FAUCET
1/2" Vacuum Breaker
PART # 40110067
3/8" Vacuum Breaker
PART # 40110068



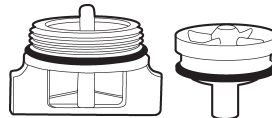
JONES STEPHENS SERVICE SINK
1/2"
PART # 31500354



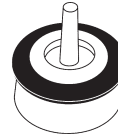
KOHLER
1/2"
PART # 40140121



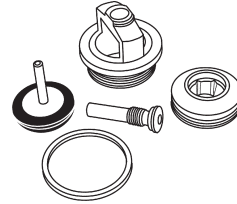
FISHER
1/2"
PART # 40110233
Less bonnet can sub # 40110050



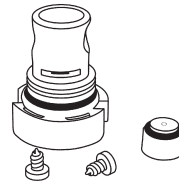
ZURN REPAIR KITS
3/8" PART # 40291048
1/2" PART # 40291047



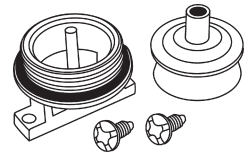
SPEAKMAN NEW STYLE VACUUM BREAKER CHECK ASSEMBLY
PART # 15893180



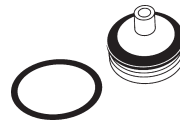
SPEAKMAN VACUUM BREAKER DISC ASSEMBLY
Also fits FIAT and Stern-Williams
PART # 40110040



T & S REPAIR KITS
3/8" PART # 40110154 (at left)
1/2" PART # 40110065 (below)



WATTS REGULATOR
3/8" PART # 40110049
1/2" PART # 40110050
3/4" PART # 40110051



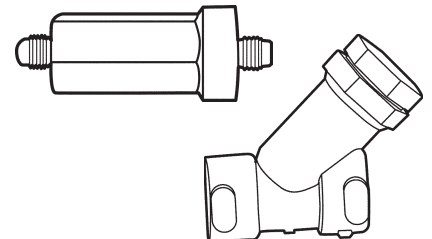
ZURN
Mop sink vacuum breaker
PART # 40300174

IN-SINK-ERATOR SAFETY BAFFLE
PART # 44006526

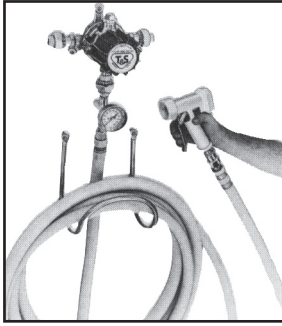


IN-LINE STRAINERS

PART # DESCRIPTION
59502582 1/4" male flare fittings. Commonly used on coffee machines.
40585987 1/4" NPT "Y" type strainer with PVC body. Commonly used on ice machines.



WASHDOWN EQUIPMENT



THERMOKLEEN

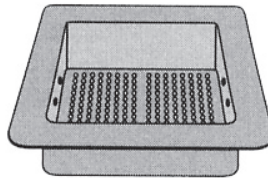
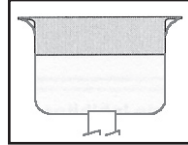
Washdown Station. Uses 3/4" chrome-plated steam/water mixing valve, S/S thermometer/tee, 50 ft. hose and water gun. S/S hose rack and bar.

PART #	SIZE
18861440	1/2"

FLANGED FLOOR DRAIN STRAINER

- Rests on top of floor drain
- 11-3/4" top flange
- 8-1/2" basket width
- 4" high
- Heavy duty plastic

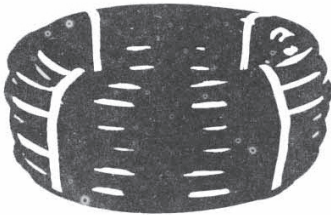
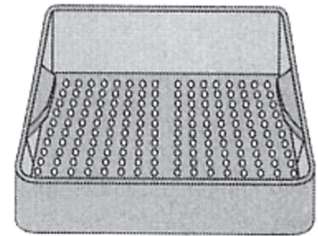
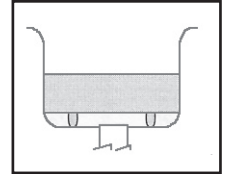
PART # 47501503



DROP IN FLOOR DRAIN STRAINER

- Fits most deep, white floor drains. Keeps food, mop strings, etc. from clogging drains.
- 8-1/2" x 8-1/2" x 2-1/2" high
- Heavy duty plastic

PART # 47501010



HOT WATER HOSE

Handles hot water up to 212°F and 200 lbs. bursting pressure. Equipped with brass couplings.

PART #	DESCRIPTION
44005850	5/8" x 50 ft.
44005875	5/8" x 75 ft.

Hoses made to order!
Please call us with your requirements. We will be happy to provide you with pricing and availability.



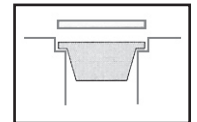
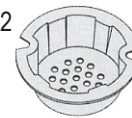
LIQUID PROPORTIONER

Proportions from 1-1/2 oz. to 14 oz. per gallon of water. Female hose threads.
PART # 80199902

FLOOR DRAIN STRAINER

Fits most small floor drains

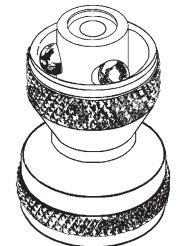
PART # 47501012



ADJUST-A-POWER HOSE NOZZLE

- Adjustable, fingertip control operations include solid jet, heavy spray and pinpoint.
- Innerseal-rubber tube construction
- Precision made of solid brass

PART # 40350097



HOSE NOZZLES

ITEM	PART #	DESCRIPTION
1	46871076	All metal gun w/ adjusting spray. Max. pressure of 250 psi & temp. 180°F.
2	40350090	All-Zinc metalized body. Clip locks any spray pattern. Brass valve stem w/ adjusting nut.
3	46722020	Metal pistol grip. Brass stem - economy
4	40350098	Heavy duty pistol grip w/ insulated handle for water up to 160°
5	46705823	Adjustable brass tip - pistol nozzle
	46722070	Hose thread (not shown)



Water Gun for washdown stations. 1/2" FIP inlet. Can be used with steam.
PART # 18862967



TOTAL MAINTENANCE SOLUTIONS

HOUSTON
800/392-5066

ORLANDO
800/327-3022

GREENVILLE
800/476-2212

LOOK FOR US ON THE WEB AT: www.TMSSouth.com

FOOD SERVICE

EVERPURE
 WATER YOU CAN TRUST®
REPLACEMENT CARTRIDGES

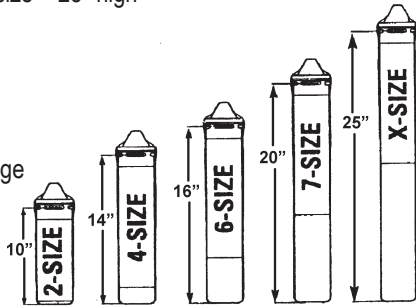
What's your filter size?

Everpure replacement filter cartridges are manufactured in 5 different height configurations. Each cartridge has a size designation of:

- 2 - size = 10" high
- 4 - size = 14" high
- 6 - size = 16" high
- 7 - size = 20" high
- X - size = 25" high

FOR EXAMPLE

- 2 - size = OCS cartridge
- 4 - size = BH cartridge
- 6 - size = OW200L cartridge
- 7 - size = MC cartridge
- X - size = XC cartridge



INSUREICE 2000 AND 4000 REPLACEMENT CARTRIDGES

PART #	DESCRIPTION
94401226	Insureice 2000 cartridge
94401236	Insureice 4000 cartridge



"MC" AND "MH" REPLACEMENT CARTRIDGES

PART #	DESCRIPTION
94409612	MC cartridge for cold water systems
94409613	MH cartridge for hot water systems



"EC110" COARSE PREFILTER

For large dirt and rust PARTicles. Fits in 10" housing. Can be used as replacement for Ametek, Bunn, Cuno and Manitowoc filter systems.

PART #	DESCRIPTION
94409534	EC110 replacement cartridge



"EC210" COARSE PREFILTER

For large dirt and rust PARTicles. Fits in 20" housing.

PART #	DESCRIPTION
94409536	EC210 replacement cartridge



"CV" REPLACEMENT CARTRIDGE

5 micron precoat filter class I T&O, class II PARTiculate

PART #	DESCRIPTION
94409625	CV Cartridge



Did You Know?

Ancient Egyptians treated water by siphoning water out of the top of huge jars after allowing the muddy water from the Nile River to settle.

(But we've got water filters!)



INSTALLATION SHIMS

PART #	DESCRIPTION
7150210	Jar of 75 soft wedges
40211225	8 pk
80501174	Each



HAVE YOU HEARD?

THE TMS SOUTH WEBSITE IS COMING SOON!

WWW.TMSSOUTH.COM



TOTAL MAINTENANCE SOLUTIONS

HOUSTON
800/392-5066

ORLANDO
800/327-3022

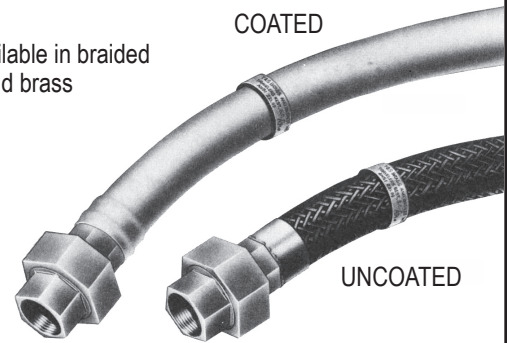
GREENVILLE
800/476-2212

LOOK FOR US ON THE WEB AT: www.TMSSouth.com

A.G.A. APPROVED GAS APPLIANCE CONNECTORS ANSI Z21.69

Available in 1/2", 3/4", 1" & 1-1/4" and lengths of 1, 2, 3, 4, 5, & 6 feet. Connectors are available in braided stainless steel or plastic coated braided stainless steel. Connectors can be equipped with solid brass Quick-Link couplings to permit easy movement of castered equipment.

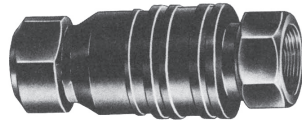
PART #	DESCRIPTION
18865010	1/2" x 4 foot with Quick-Link coupling - coated
18865012	1/2" x 4 foot with union - coated
18865040	3/4" x 4 foot with Quick-Link coupling - coated
18865042	3/4" x 4 foot with union - coated
18865055	1" x 5 foot with union - uncoated
18866040	1-1/4" x 4 foot with Quick-Link coupling - coated



QUICK-LINK COUPLING

An add-on unit to facilitate the sure, easy, quick, and economical movement of castered equipment. Constructed of solid brass. Spring loaded, it is merely pressed into place and insures proper passage.

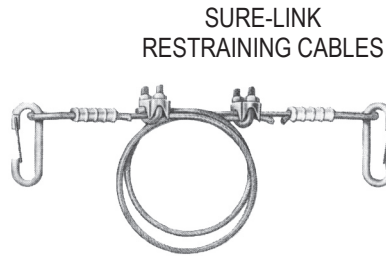
PART #	SIZE
18867010	1/2"
18867012	3/4"
18867014	1"
18867016	1-1/4"



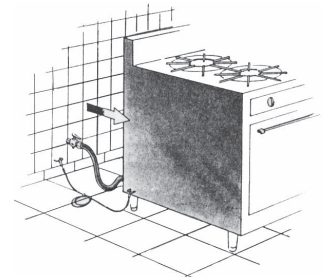
QUICK-LINK COUPLING

SURE-LINK CABLES

A restraining device designed to prevent accidental movement of castered equipment. One size fits all applications. Constructed of coated high strength cable. Adjusts from 1 foot to 6 feet. PART # 18867020



SURE-LINK RESTRAINING CABLES



GAS APPLIANCE CONNECTORS

EPOXY COATED - CORRUGATED BRASS TUBING

7/8" O.D. (1/2 Nom. I.D. 15/16" - 16 Thread)

PART #	LENGTH	DESCRIPTION
51941610	18" 3/4"	F.I.P. X 3/4" F.I.P.
51941620	24" 3/4"	F.I.P. X 3/4" F.I.P.
51941630	18" 3/4"	F.I.P. X 3/4" F.I.P.
51941640	24" 3/4"	F.I.P. X 3/4" M.I.P.



51941610
51941620

1/2" O.D. (1/2 Nom. I.D.) WITH END FITTINGS

PART #	LENGTH	DESCRIPTION
51941490	18" 1/2"	F.I.P. X 1/2" M.I.P.
51941500	24" 1/2"	F.I.P. X 1/2" F.I.P.



51941630
51941640

CORRUGATED STAINLESS STEEL TUBING

7/8" O.D. (1/2" Nom. I.D.) WITH END FITTINGS

PART #	LENGTH	DESCRIPTION
51941710	18" 3/4"	F.I.P. X 3/4" F.I.P.
51941720	24" 3/4"	F.I.P. X 3/4" F.I.P.
51941730	18" 3/4"	F.I.P. X 3/4" F.I.P.
51941740	24" 3/4"	F.I.P. X 3/4" M.I.P.



51941490



51941500

AGA GAS BALL VALVES

PART #	SIZE
57165512	1/2"
57165524	3/4"



TOTAL MAINTENANCE SOLUTIONS

HOUSTON
800/392-5066

ORLANDO
800/327-3022

GREENVILLE
800/476-2212

LOOK FOR US ON THE WEB AT: www.TMSSouth.com

DRAIN CLEANERS & TREATMENT

DRAIN-SNAKE

Sulfuric acid drain opener. Opens completely blocked drains. Disintegrates hair, paper, cloth, sanitary napkins, small roots, food scraps, organic matter. For drains, traps, waste lines. Contains corrosion inhibitors. For professional use only.

PART #	DESCRIPTION
60800004	Quart Drain-Snake
60800008	1/2 Gallon Drain-Snake

MUST SHIP BY MOTOR FREIGHT



CLOROBEN PT

A biodegradable, non-acid/non-caustic, solvent formula used to dissolve grease, soap, fat, oil, and detergent in residential, commercial, and institutional waste systems. Concentrated – one gallon makes five gallons of effective solution. Reduces or eliminates regular grease trap cleaning and/or septic tank pumping.

PART #	DESCRIPTION
60800006	Quart (32 oz.) Cloroben-PT

Available in 1, 6, 15, 30, & 55 gallon containers.



TMS SULFURIC ACID DRAIN OPENER

Part # 60801010



TMS SULFURIC ACID WITH ODOR BARRIER

Part # 60800001



CLOROBEN DE

A fast-acting, inhibited acid for rapid cleaning of plumbing, heating, cooling equipment and lines. Disintegrates concrete, plaster, grout in drains and traps. Dissolves lime, rust, scale, urinary salts and minerals. Contains foam-reducers. For professional use only.

PART #	DESCRIPTION
60800014	Quart of DE

Also available in gallon containers



FLOWEASY DRAIN OPENER

Fast acting, professional strength. Dissolves hair, grease, sludge, rags, soap, paper – any organic material! Safe to use in septic tanks, toilets, sinks, tubs, metal & PVC pipe.

PART #	DESCRIPTION
93000701	1 pint bottle



OPEN-WIDE

Powdered caustic drain opener and deodorizing cleaner. Destroys hair and controls odor. Suitable for all plumbing fixtures, plastic piping and septic systems.

PART #	DESCRIPTION
93001042	1 lb. Open-Wide



TMS CRYSTAL DRAIN OPENER

PART # 60802200



TMS COLD WATER ACTIVATED DRAIN OPENER

Super-activated to dissolve grease, fats, hair, vegetable matter, etc. Won't harm pipes. Part # 60802000



TCI ADC ALKALINE DRAIN CLEANER

No more sulfuric acid fumes! Alkaline drain opener formulated to hold two times more grease and fats in suspension. Quart bottle.

PART #	DESCRIPTION
93781020	Quart bottle



GREEN-BLASTER DRAIN OPENER

Non-acid, will not harm fixtures, chrome or plastic pipe. 32 oz. bottle PART # 60800003



TOTAL MAINTENANCE SOLUTIONS

HOUSTON
800/392-5066

ORLANDO
800/327-3022

GREENVILLE
800/476-2212

LOOK FOR US ON THE WEB AT: www.TMSSouth.com

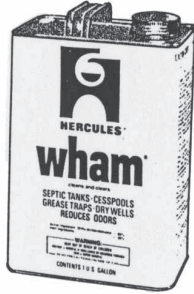
CHEMICALS

DRAIN CLEANERS & TREATMENT

WHAM

Dissolves and controls grease, slime, soap, detergents and odors in waste systems. Clears and conditions drains, septic tanks, cesspools, grease traps and drain fields. Non-caustic, non-acid. Harmless to digestive bacteria.

PART #	DESCRIPTION
93371034	Qt. of Wham Septic formula



SEPTIC TANK & CESSPOOL CLEANER

Dissolves grease and organic matter in clogged, sluggish or malfunctioning cesspools, septic tanks and grease traps. Organic solids rapidly liquefied. Ideal for emergency use to eliminate back-up.

PART #	DESCRIPTION
93371036	5 lb. Tank & Cesspool cleaner

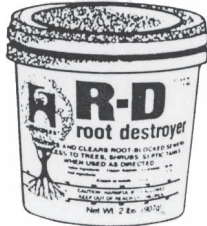
Available in 25 & 50 lb. containers



R-D ROOT DESTROYER

Clears and prevents root-blocked sewer lines. No caustics or acids – harmless to skin or clothing. Safe to use in lines leading to septic tanks. Works only on live roots – will not harm trees or shrubs.

PART #	DESCRIPTION
60500022	2 lb. Root Destroyer



BACTA-LIFE

Non-Acid, non-corrosive, non-caustic, non-poisonous. Blend of enzymes and bacteria cultures turns waste solids in free flowing liquids. For drains, grease traps garbage disposals & septic tanks. Used to start off new septic systems or to re-activate those treated with caustic chemicals.

PART #	DESCRIPTION
60800009	1 lb. can Bacta-Life activator

Also available in 25 lb. containers



EVERPRIME DRAIN TRAP LIQUID

Simply add it and forget it! Stops odors naturally in floor and shower drains, toilets/urinals, condensate drains and more! Will not evaporate or freeze. Biodegradable. Great for schools, restaurants, stadiums, empty/vacant buildings, marine applications and high traffic facilities.

PART #	DESCRIPTION
60800105	1 qt. bottle



LIQUID FIRE DRAIN LINE OPENER

Disintegrates hair, paper, cloth, sanitary napkins, small roots, food scraps and organic matter. For drains, traps and waste lines.

PART #	DESCRIPTION
60800005	

DEODORIZERS/CLEANERS

PBGONE!

Uric acid eradicator. Attacks uric acid odors immediately by an enzyme/digestion process. It does the job by digesting the source in minutes with zero environmental impact. Pour directly into drains or spray area from where odor is originating (urinals or toilets). Product may be effectively mopped on floor areas around washroom fixtures. Spray attachment included.

PART #	DESCRIPTION
60300104	Quart of PBgone



TMS WATERFREE URINAL CLEANER

- Developed especially for use in waterfree urinals
- Approved for use with Sloan and Falcon water-free urinals
- Will not harm the sealant, so no unpleasant odors!
- Quick and easy-to-use – just spray and wipe
- Maximizes urinal efficiency
- Biodegradable and phosphate free – safe for the environment

PART #	DESCRIPTION
60300112	



FOAMING HOUSING CLEANER AND ODOR BLOCKER FROM FALCON

Specifically formulated to provide an instant odor-block when the foam enters the housing. Helps clean the urinal housing during the change of the cartridge. Helps you get optimal performance from your waterfree urinals. The foam is fully biodegradable and the container is recyclable!

PART #	DESCRIPTION
60300113	



TOTAL MAINTENANCE SOLUTIONS

HOUSTON
800/392-5066

ORLANDO
800/327-3022

GREENVILLE
800/476-2212

LOOK FOR US ON THE WEB AT: www.TMSouth.com

CLEANERS/DEGREASERS

ERASE-IT

ELECTRO CONTACT CLEANER

Cleans electrical/electronic components and delicate mechanisms. Removes greases, oil, dirt and organic soils. Safe on all rubber, paint, plastic, metal, fabric and glass surfaces. Evaporates completely, leaving no residue.



PART #	DESCRIPTION
60300117	16 oz. aerosol can

DE-SOLV-IT CONTRACTORS' SOLVENT

Removes oil, tar, water seal, asphalt, floor adhesive, grease, lube, silicone sealant, paint, roofing tar and caulk. Safe on hard surfaces, cured paint metal & wood. Biodegradable with no harsh chemicals.



PART #	DESCRIPTION
93727540	12 oz. bottle

HERCULES FOR HANDS

Big pre-moistened hand cleaning towels remove the toughest soils, stains, grease, paint, tar, plastic pipe cement, adhesives, ink, sealants, sticky dirt and more! With aloe, lanolin and vitamin E.



PART #	DESCRIPTION
60300103	70 12" x 10" Premoistened towels

TMS WIPE OFF GRAFFITI REMOVER

Wipes off most spray paint, inks, crayons, vandal marks, road tar and scuff marks. Works on road signs, sidewalks, reflective signs, formica tops, washroom walls, public buildings, mirrors and lockers. 16.5 oz can
PART # 60300102



GUNK GREEN CONCENTRATED CLEANER

Removes grease and grime from machinery when used at full strength. Effective for glass and crystal when diluted. Non-toxic, biodegradable and non-corrosive.



PART #	DESCRIPTION
93727732	22 oz. bottle

IRON IKE

Dissolves rust and iron stains quickly. Can be used on metallic and non-metallic surfaces. Effective on water softeners, water heaters, toilets, tubs, tile & more. Contains no phosphoric acid, phosphates or chlorine.
PART # DESCRIPTION
9371040 20 oz. Iron Ike



GENERAL PURPOSE CLEANER

A specially formulated mildly ammoniated aerosol spray cleaner for cleaning of grease, oily film, hand marks, soap and fruit stains from counters, bathroom and kitchen fixtures, wall and floor tile, mirrors and windows, refrigerator doors, and chrome plated appliances. Cleans windows, and plastic upholstery on cars and boats. Contains no fluorocarbons.

PART #	DESCRIPTION
93001010	18 oz. aerosol can



ERASE IT ALL PURPOSE

Will work on many surfaces such as patio furniture, decking, and tile. Cleans stains such as metal, rust, mold & mildew, graffiti, pen and pencil marks and more.
PART # 93901841

ERASE IT FOR KITCHEN

Will work on many surfaces such as Formica®, countertops, walls, pots and pans, and cabinets. Erases stubborn stains such as pen/pencil, coffee, crayon, mold, mildew and scuffs.
PART # 93901822

ERASE IT FOR THE BATH

Will work in the tub, shower, sink and toilet, erasing such stains as rust, mold, mildew, algae, dirt and scum.
PART # 60300108

ERASE IT FOR TILE GROUT

Will work on any color grout, sanded or unsanded, sealed or unsealed, removing ANY surface stain while restoring the grout to its original color. (Not shown)
PART # 93901870



GAS LEAK DETECTOR

Fluid detects leaks in anything that can be tested with air or gas pressure. Dries clean.

PART #	DESCRIPTION
94494054	8 oz. bottle
94494056	1 gallon bottle



TOTAL MAINTENANCE SOLUTIONS

HOUSTON
800/392-5066

ORLANDO
800/327-3022

GREENVILLE
800/476-2212

LOOK FOR US ON THE WEB AT: www.TMSouth.com

CHEMICALS

TAPES

SUPER SEAL TAPE

Self bonding tape with 100's of uses. Works on wet, dry, greasy or dirty surfaces as well as on metal or plastic pipes.

PART #	DESCRIPTION
93007409	Roll of Super Seal Tape



DUCT TAPE

Industrial grade for HVAC, plumbing and general contractor use. Silver polycloth with rubber resin adhesive.

PART #	DESCRIPTION
60450002	2"x 60 yd Duct tape



ELECTRICAL TAPE

PVC electrical tape. Suitable for use at not more than 600V and not more than 176°F.

PART #	DESCRIPTION
60450003	3/4"x 60 ft x 7.5 Mil

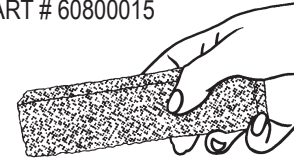


LIME REMOVERS

PUMIE SCOURING STICK

- 100% natural pumice
- Removes lime, rust and stains
- Removes hard water rings
- Cleans porcelain, masonry, ceramic tile and iron

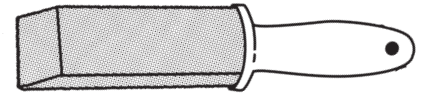
PART # 60800015



PUMIE TOILET BOWL RING REMOVER WITH HANDLE

- No gloves
- No applicators
- No skin irritants

PART # 93901010



LUBRICANTS

WHITE LITHIUM GREASE

Heavy duty lubricant reduces friction in all metal-to-metal and metal-to-plastic applications.

Protects against rust and corrosion. Will not melt, run, freeze or wash off.

PART #	DESCRIPTION
93721003	2 oz Squeeze tube



LOCK LUBRICANT

Highest quality graphite formula. Keeps locks working freely. Seals out moisture and guards against rust and corrosion.

PART #	DESCRIPTION
93701050	4 oz. Aerosol Lock Lubricant



POWDERED GRAPHITE LUBRICANT

High quality graphite keeps locks working freely. Guards against sticking, corrosion, and dirt build-up. Use for year round protection. Greaseless and odorless.

PART #	DESCRIPTION
93701020	6.5 Gram tube
93701030	1-1/8 oz. tube
93701040	1 lb. can powdered graphite



HEAT-PRUF GREASE

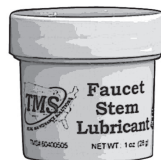
Lubricates faucet stem threads, o-ring packings, gaskets, ballcock cup leathers, etc.

PART #	DESCRIPTION
60500025	1/2 oz can
60800013	2 oz plastic tub
60500132	2-1/2 oz can
60400109	1 oz. tube



TMS FAUCET STEM LUBRICANT

1 oz container
PART # 60400505



SILICONE LUBRICANT

Ideal for lubrication of o-rings. An excellent lubricant that assures a permanent leak-proof seal.

PART #	DESCRIPTION
60400107	2 oz tube silicone grease
93681625	1/2 oz. can silicon grease



**TOTAL
MAINTENANCE
SOLUTIONS**

HOUSTON
800/392-5066

ORLANDO
800/327-3022

GREENVILLE
800/476-2212

LOOK FOR US ON THE WEB AT: www.TMSSouth.com

LUBRICANTS/PENETRANTS

LA-CO RUSTBUSTER

Loosens rust in seconds

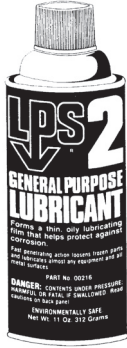
PART #	DESCRIPTION
60400106	4 oz bottle with telescoping spout applicator



LPS 2

General purpose lubricant. Leaves light oily coating. Penetrates and loosens rusted and frozen parts. Protects against rust and corrosion. Protective coating for hand and machine tools.

PART #	DESCRIPTION
60400111	11 oz Aerosol can



MULT-PURPOSE LUBE OIL

Multi-purpose oil for use on motors, bearings and wherever metal lubricating is desired. Non-gumming, non-toxic, will not foam during use. Non-detergent, contains rust and corrosion preventatives. Not for use on internal combustion engines or extreme heat producing operations.

PART #	DESCRIPTION
93371008	4 oz bottle with extended spout



SILICONE SPRAY LUBRICANT

Heavy duty silicone spray lubricant stops squeaking, sticking, prevents rust and corrosion. Lubricates doors, locks, drawers, windows. Brightens rubber, vinyl and leather.

PART #	DESCRIPTION
60400110	13 oz Aerosol can



LIQUID WRENCH

Super penetrant that loosens rusted bolts, nuts and parts in seconds.

PART #	DESCRIPTION
93721004	6 oz Spray
93721006	8 oz Squeeze can



PIPE THREAD COMPOUNDS

T-O-T PIPE JOINT COMPOUND

No drip pipe joint compound. Silicized for fast spreading. For water, steam, air and natural gas. Do not use on oxygen.

PART #	DESCRIPTION
60550216	1/2 Pint T-O-T with brush



PIPETITE STIK

Thread compound in handy stick form. For water, steam, air, natural gas, butane, propane. Use on metal threads. Do not use on oxygen.

PART #	DESCRIPTION
60550217	1-1/4 oz. Pipetite-Stik



TITE-SEAL NO. 55

A special liquid, non-hardening density prepared for easy application. For leak proofing threaded, flanged and assembly line connections. For LP gas, natural gas, diluted acids, ammonia, etc.

PART #	DESCRIPTION
93721017	4 oz. can Tite-Seal
93721018	1 pint can Tite-Seal



RECTORSEAL NO. 5

Compounded from 13 ingredients, making it a dependable sealant for lines carrying numerous types of liquids and gases. It is especially applicable for threaded PVC, steel, iron, copper and fiberglass reinforced pipe. Not for ABS pipe. Does not dry out.

PART #	DESCRIPTION
60500023	1/2 Pint of No. 5
60500011	1 Pint of No. 5



TMS NO-DRIP PIPE JOINT COMPOUND

Contains built-in wicking. Both seals and lubricates.

PART # 60550206



TMS TEFLON THREAD COMPOUND

Multipurpose, non-flammable, non-hardening compound that is lead-free and easy to use.

PART # 60550735



TOTAL MAINTENANCE SOLUTIONS

HOUSTON
800/392-5066

ORLANDO
800/327-3022

GREENVILLE
800/476-2212

LOOK FOR US ON THE WEB AT: www.TMSSouth.com

CHEMICALS

THREAD & GASKET COMPOUNDS

LA-CO LOC PIPE THREAD SEALANT

Locks threads against vibration. Contains "Teflon" for positive seal & anaerobic adhesives for locking power. Do not use on oxygen.

PART #	DESCRIPTION
60550103	1.69 fl. oz. La-co Loc



SLIC-TITE PASTE

Heavy duty thread sealing compound. Non-toxic, non-drying, anti-seize. For water, steam, air, natural gas, gasoline, kerosene, refrigerants, LP gases. Use for thread connections on steel, brass and aluminum. Not for use on oxygen.

PART #	DESCRIPTION
60550101	1/2 Pint Slic-Tite



"TEFLON" THREAD TAPE

Use on any surface. Withstands solvents, chemicals and oxygen. Non-toxic. Safe on food lines.

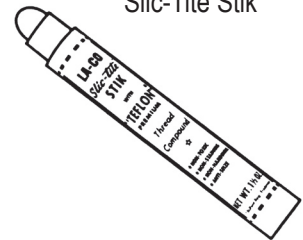
PART #	DESCRIPTION
60504144	1/2" x 520" roll
60500024	3/4" x 520" roll
60450004	1" x 520" roll



SLIC-TITE STIK

High performance thread compound in handy stick form. Non-toxic & non-staining. Use on metal threads. Do not use on oxygen.

PART #	DESCRIPTION
60450005	1-1/4 oz. Slic-Tite Stik



STEM & VALVE PACKING

GRAPHITE PACKING

For repairing leaking packing on faucet and valve stems and packing nuts.

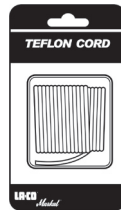
PART #	DESCRIPTION
60400108	1/8" x 24"
93371052	3/32" x 24"
93722014	1/4" x 8' roll on resealable spool



TEFLON PACKING

For repairing leaking packing on faucet and valve stems and packing nuts.

PART #	DESCRIPTION
93601006	7/32" x 120"
93601010	Cord of PTFE, 3/32 x 25'



Did You Know?

An automatic dishwasher uses approximately 9 to 12 gallons of water while hand washing dishes can use up to 20 gallons.



WIRE SOLDER

PART #	DESCRIPTION
60500014	1 lb. 50/50 Solder (lead)
60500013	1 lb. 95/5 Solder
60550003	1 lb. Lead Free Solder
64960056	1 lb. Silverflow Brazing Rod (lead free)



COPPER BRITE

"INSTANT CLEANER FOR SOLDERING"

Eliminates sand cloth and fitting brushes. Eliminates hot spots by penetrating pits and scratches. Does not affect tolerances.

Great for lead free solders.



PART #	DESCRIPTION
93001061	16 oz. Copper Brite



**TOTAL
MAINTENANCE
SOLUTIONS**

HOUSTON
800/392-5066

ORLANDO
800/327-3022

GREENVILLE
800/476-2212

LOOK FOR US ON THE WEB AT: www.TMSouth.com

SOLDERING FLUXES

REGULAR FLUX PASTE

Non-acid & Lead Free. Use with Lead Free, 40/60, 50/50, 60/40, 95/5 or any standard soft solder. For copper, galvanized iron, sheet lead, zinc, nickel, tin, silver, mild steel, malleable iron.

PART #	DESCRIPTION
60550100	4 oz. can flux paste
93371000	4-1/2 oz. SCORE paste flux
93601002	1 lb. can flux paste



ALL-PURPOSE FLUX LIQUID

For soldering most grades of stainless steel, plus chrome, copper, and brass. Use with all types of soft solders. Fast fluxing action. Do not use on stainless steel water tubing.

PART #	DESCRIPTION
60550218	4 oz. Bottle liquid flux



SOLDER FLUX

Lead-free, will not turn fittings green.

PART #	DESCRIPTION
60550105	1/2 lb. can
60550106	1 lb. can

TMS PASTE SOLDERING FLUX

Formulated especially for copper

PART # 60550215



FLUX & SOLDER

50/50 or 95/5 tin lead solder with flux. Fluxes, tins and solders in one operation. For all common metals except aluminum and some grades of stainless steel. One pound does the work of 3 to 4 lbs of wire solder plus flux.

PART #	DESCRIPTION
93371004	1 lb. 50/50 Flux & Solder
93601005	1/2 lb. 95/5 Flux & Solder
93601007	1 lb. 95/5 Flux & Solder



ABRASIVE CLOTH

Aluminum oxide, water resistant, 120 GRIT

PART #	DESCRIPTION
60500134	1-1/2"x 10 Yards
60500017	1-1/2" x 25 Yards



OPEN MESH ABRASIVE CLOTH

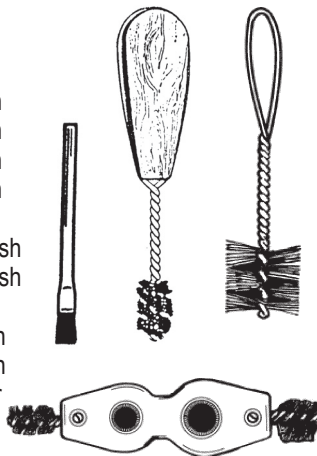
Lasts twice as long as regular abrasive cloth. Nylon fabric allows cleaning if cloth becomes loaded. 180 GRIT gives smoother finish.

PART #	DESCRIPTION
60550007	1-1/2"x 10 Yards



FLUX & FITTING BRUSHES

PART #	DESCRIPTION
60300009	3/8" Flux brush
20200141	1/4" ID Fitting brush
20200142	3/8" ID Fitting brush
20200180	1/2" ID Fitting brush
20300368	3/4" ID Fitting brush
20300374	1" ID Fitting brush
20200143	1-1/4" ID Fitting brush
20200144	1-1/2" ID Fitting brush
20200145	2" ID Fitting brush
93161005	1/2" Economy brush
93161007	3/4" Economy brush
20401020	4-in-1 Brush copper cleaning tool



JUST FOR COPPER

Solderless copper bonding that's fast and easy to use. A permanent, cold-weld for use on all copper and copper-alloy pipe and copper or brass fittings. One part, no mixing - requires 70% less time. Non-toxic, non-flammable compound that exceeds all copper bonding specifications.

PART #	DESCRIPTION
60550008	10g bottle
60550102	50g bottle



**COMING IN 2008:
THE NEW TMS SOUTH WEBSITE
www.tmsouth.com**



**TOTAL
MAINTENANCE
SOLUTIONS**

HOUSTON
800/392-5066

ORLANDO
800/327-3022

GREENVILLE
800/476-2212

LOOK FOR US ON THE WEB AT: www.TMSSouth.com

CHEMICALS

CAULKS AND SEALANTS

POLYSEAMSEAL

All purpose adhesive caulk. Caulks: Tubs, Sinks, Showers. Seal: Floor and wall cracks, gutters, windows, doors, air conditioners, stops leaks. Bond: Adheres to most any metal, molding, paneling, glass, metal, plastic laminates. Resets ceramic tiles.

Cleans up with soap and water.

PART #	DESCRIPTION
60500028	10.3 oz White
93001030	10.3 oz Clear
93001025	10.3 oz Almond
93001032	4 oz White squeeze tube
60500004	6 oz White squeeze tube
93001031	10.3 oz White (Seamseal 2002)
93371060	Harvey's Tub & Tile, squeeze tube



PLUMBERS PUTTY

For setting bowls, rims, strainers, faucets etc. Will not harden, shrink, crack or crumble. Not for use on marble.

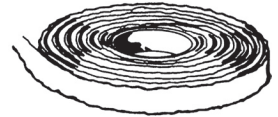
PART #	DESCRIPTION
93371058	5 lb. Plumbers putty



PLUMBERS SEALANT

30 ft. x 1/2" wide roll Plum-Gum. Seals sink drains, flanges. Won't dry up. Unaffected by freezing or boiling water.

PART #	DESCRIPTION
60500031	1/2" x 54" roll



TMS PLUMBER'S PUTTY

PART #	DESCRIPTION
60500105	16 oz
60500120	5 lb



SILICONE CAULK

100% silicone rubber adhesive sealant, for bonding, sealing and waterproofing tubs, showers, sinks and fixtures. Won't crack, shrink or peel. Bonds to porcelain, ceramic, glass, painted surfaces and most metals.

PART #	DESCRIPTION
60500016	10.3 oz White
60500129	10.3 oz Clear
93211002	White squeeze tube
93211004	Clear squeeze tube



RS 136 NON COMBUSTIBLE FIREBLOCK/DRAFT STOP

Meets ASTM E-136, VOC compliant. 2 year shelf life with excellent freeze/thaw properties. Paintable and water soluble.

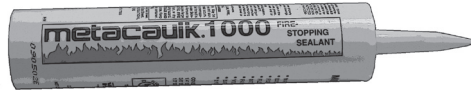
PART # 93002002
10.3 oz. tube



METACAULK 1000 FIRE-STOPPING SEALANT

Water based, with excellent freeze/thaw properties. For interior use. Safe and easy to use, with a 2year shelf life.

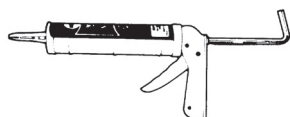
PART # 93002008
10.3 oz. tube



CAULK GUN

Steel ratchet type, with heavy spot welding.

PART #	DESCRIPTION
93401002	Caulking gun



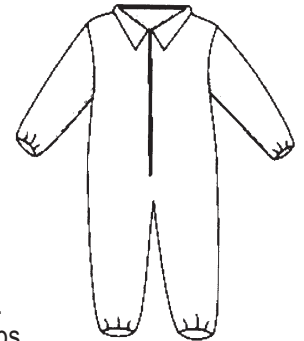
PROTECTIVE GEAR

DISPOSABLE COVERALLS WITH COLLAR

White. 5 per bag

PART #	DESCRIPTION
93007384	Size Large
93107384	Size X-Large
93117384	Size 2X

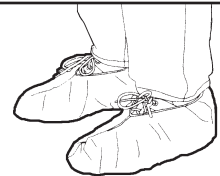
Large – 5'5" to 5'10", 140-200 lbs.
X-large – 5-7" to 6'2", 160-220 lbs.
XX-large – 5'11" to 6'4", 180-240 lbs.



DISPOSABLE SHOE COVERS

Blue

PART # 60300109 (One pair)



LATEX GLOVES

Box of 100 gloves

PART # 60300105



TOTAL MAINTENANCE SOLUTIONS

HOUSTON
800/392-5066

ORLANDO
800/327-3022

GREENVILLE
800/476-2212

LOOK FOR US ON THE WEB AT: www.TMSouth.com

CEMENTS FROM OATEY

PURPLE PRIMER

- Purple tinted all purpose primer for PVC and CPVC pipes and fittings.
- Prepares surface by removing surface dirt, grease and grime as well as by softening pipe.
- Purple tint allows for verification for code.



PART #	DESCRIPTION
60500021	1 pint

HEAVY DUTY PVC CEMENT

- Recommended for all grades & type of PVC up to 12"
- Fills gaps in large diameter pipe
- Meets ASTM D-2564
- Application temperature 40° to 100°F



PART #	DESCRIPTION
60500131	1/4 pint
93372023	1 pint

PVC CEMENT - RAIN -R-SHINE

Medium body for all grades and types of PVC pipe & fittings, potable water and DWV. Can be used under water.

PART #	DESCRIPTION
60500020	8 oz. Rain-R-Shine



MULTI-PURPOSE CEMENT

Medium body, fast set for joining PVC, CPVC & ABS pipe and fittings up to 6" diameter schedule 40.

PART #	DESCRIPTION
93371016	1/4 pt Multi-purpose
93371019	1/2 pt Multi-purpose



CEMENT DAUBERS

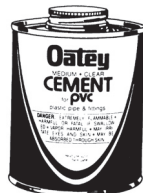
PART #	DESCRIPTION
93001009	1 pt. Dauber
93001011	1 qt. Dauber



PVC CEMENT

Medium body, medium set for PVC pipe and fittings up to 6" diameter schedule 40 and 80.

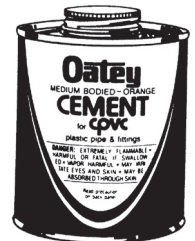
PART #	DESCRIPTION
60500130	1/4 pt PVC cement
93371020	1/2 pt PVC cement
60500018	1 pt PVC cement
60500019	1 qt PVC cement



CPVC CEMENT

For CPVC pipe and fittings. Hot and cold water applications. Any diameter pipe through 6" at recommended temperatures.

PART #	DESCRIPTION
93371013	1/4 pt. CPVC Cement
93371014	1/2 pt. CPVC Cement



CLEANER FOR CPVC, PVC OR ABS

Clear cleaner for ABS, PVC and CPVC pipe and fittings. All schedules and all diameters. Flows freely and evaporates quickly. Fast-acting cleaner removes surface dirt, grease and grime.

PART #	DESCRIPTION
60300107	1/4 pt. Cleaner
60500026	1/2 pt. Cleaner
60500127	Pint Cleaner



FLOWGUARD GOLD 1-STEP CEMENT

Yellow, medium body CPVC cement exceeds new environmental requirements. May be used without primer where local codes permit. For cold water systems and hot water systems up to 180°F. Faster cure time/reduced installation time. For copper tube size (CTS) CPVC hot and cold potable water pipe and fittings up to 2" diameter interference fit only.



PART #	DESCRIPTION
60500126	1/2 pt. Flowguard

PLUMB-TITE BLUE PROFESSIONAL GRADE PVC PLASTIC PIPE CEMENT

For fast set pressure applications. Medium bodied, very fast set. Suitable for Flex and Rigid Pipe and Schedule 80.

PART # 60300106



DON'T GET STUCK!
Call us for all your plumbing adhesive needs!



TOTAL MAINTENANCE SOLUTIONS

HOUSTON
800/392-5066

ORLANDO
800/327-3022

GREENVILLE
800/476-2212

LOOK FOR US ON THE WEB AT: www.TMSouth.com

CHEMICALS

GLUES AND EPOXY COMPOUNDS

PRO POXY 20

Fast acting, single stick, steel reinforced epoxy putty. Makes steel hard repairs in 20 minutes. Seals, mends, bonds, repairs almost anything-even under water. Adheres to metals, masonry, wood, glass, ceramics and most plastics. When cured, may be drilled, sanded, filed and painted.



PART #	DESCRIPTION
60500006	4 oz Stick Pro Poxy

PLASTIC POXY

Fast acting, single stick. This patented combination of epoxy resin and hardener mixes quickly and easily. Repairs most plastic: seals, mends, or bonds to ABS, PVC and CPVC pipes and fittings. Hardens in 40 minutes and can be used in temperatures of up to 250° for extended periods. Can be drilled, sanded, filed and painted when cured.



PART #	DESCRIPTION
60500010	Plastic Poxy

MR. STICKY'S® UNDERWATER GLUE

Bonds PVC, ABS, tile. Repairs spas and hot tubs. Fills cracks in plaster, concrete, acrylic and fiberglass. Remains flexible. 1-2 hours setting time.

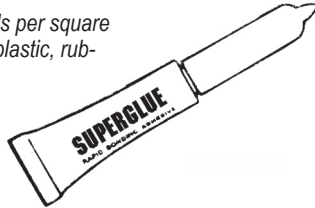


PART # 60500012



SUPER GLUE

Has a bonding power of 5000 pounds per square inch. It works instantly on ceramic, plastic, rubber, tile and metal without mixing.

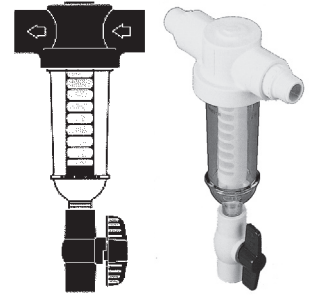


PART #	DESCRIPTION
60500135	3 Grams SuperGlue

WATER FILTERS

SPIN DOWN SEDIMENT FILTER

Used as a pre-filter to remove sand and pipe scale. Sediment can be removed through flush valve.

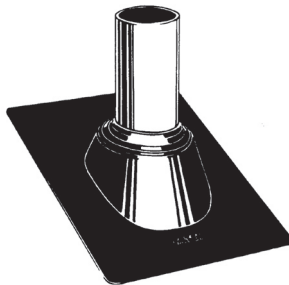


PART #	DESCRIPTION
40750009	3/4 MPT, 60 Mesh

ROOF FLASHING

ROOF FLASHINGS

PART #	DESCRIPTION
40950122	1-1/2" Roof flashing
40950140	2" Roof flashing
44470116	3" Roof flashing
44470118	4" Roof flashing



VALVE-IN HEAD

- Closes inlet and outlet simultaneously with a half turn of handle
 - Cartridge change-outs are quick and easy
 - 3/4" NPT inlet/outlet
 - Accepts wide variety of 2-1/2" to 3" cartridges
- PART # 94021102



ROOF & FLASHING CEMENT

Heavy duty paste-like consistency; easily applied with trowel or putty knife. Adheres to wet or moist surfaces; can be applied in rain. Adheres to concrete, metal, tile, roofing and masonry.



PART #	DESCRIPTION
93371064	1 qt Roof cement

GRANULAR ACTIVATED CARBON CARTRIDGE

- Effective taste/odor/chlorine reduction
 - Water passes through entire length of carbon bed
 - Tested and certified by NSF International
- PART #94021170



TOTAL MAINTENANCE SOLUTIONS

HOUSTON
800/392-5066

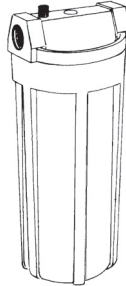
ORLANDO
800/327-3022

GREENVILLE
800/476-2212

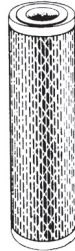
LOOK FOR US ON THE WEB AT: www.TMSSouth.com

WATER FILTER ASSEMBLIES*(For water pressure up to 125 psi)*

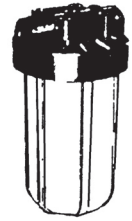
- | PART # | DESCRIPTION |
|----------|---|
| 94021020 | 3/8" inlet/outlet clear housing for cold water only. Accepts sediment or taste/odor cart. 5-1/8"W x 12" H. Comes with sediment cartridge. For single faucet installation. |
| 94021005 | 3/4" inlet/outlet for cold water only. Accepts taste/odor or sediment cartridge. 5-1/8" W x 12" H. Comes with sediment cartridge. Can be used for single faucet or whole house installation. Has opaque sump. |
| 40750003 | 3/4" inlet/outlet clear housing for cold water only. Accepts sediment or taste/odor cartridges. 5-1/8" W x 12" H. Comes with sediment cartridge. Can be used for single faucet or whole house installation. Has clear sump. |

**FILTER CARTRIDGES**

- | PART # | DESCRIPTION |
|----------|---|
| 40750007 | Sediment cartridge. 20 micron filtration 5 gpm flowrate with 2 psi drop. 9-3/4" long. Cold or hot water – max 160°F. |
| 40750002 | Taste/odor/sediment. Carbon impregnated cellulose. Removes foul odors, taste of chlorine, sand, silt, rust particles. 5 micron filtration. 5 gpm flow rate at 3.5 psi drop. 9-3/4" L Cold water only. |
| 94021112 | Metals and chemicals cartridge. Removes up to 96% of lead, mercury & volatile organic chemicals. Recommended flow rate of 7 GPM. Max. temperature: 40°F to 125°F. |

**MAIN LINE FILTER**

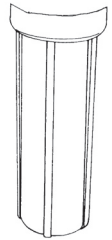
- | PART # | DESCRIPTION |
|----------|--|
| 94021030 | 1" inlet/outlet main line filter. Ideal for spas, hot tubs or other uses. Accepts sediment or taste/odor cartridges. |

**FILTER CARTRIDGES**

- | PART # | DESCRIPTION |
|----------|---|
| 40750011 | Sediment cartridge. 30 micron filtration. 4-1/2" W x 9-3/4" H |

REPLACEMENT SUMPS/ACCESSORIES

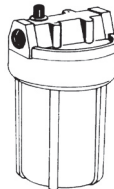
- | PART # | DESCRIPTION |
|----------|------------------------------------|
| 94021117 | Sump – brown for 3/4" inlet/outlet |
| 94021118 | Sump – clear for 3/4" inlet/outlet |
| 40750010 | Wall bracket for 3/4" housing |
| 94021125 | Spanner wrench for 3/4" housing |
| 94021135 | O-ring for 3/4" housing |
| 94021122 | Wall bracket for 3/8" housing |

**ICEMAKER FILTERS**

- | PART # | DESCRIPTION |
|----------|---|
| 40750004 | Taste/odor/sediment filter. Comes with 3/8" OD compression fittings on inlet and outlet. |
| 40750008 | Taste/odor & scale inhibitor filter. Prevents hard scale build-up. Ideal for use on coffee makers and icemakers. Comes with 1/4" OD comp. fittings. |

**COMPACT WATER FILTER**

- | PART # | DESCRIPTION |
|----------|---|
| 40750005 | 3/8" inlet/outlet for cold water only. Accepts taste/odor/sediment cartridge only. 4-1/2" W x 6-1/2" H. For single faucet installation. |

**FILTER CARTRIDGES**

- | PART # | DESCRIPTION |
|----------|--|
| 40750001 | Taste/odor/sediment. Carbon impregnated cellulose. 2 gpm flow rate at 2 psi drop. 4-7/8"L Cold water only. |
| 94021175 | Taste/odor filter only (ea.) |

**WATER COOLER FILTERS**

Designed to remove cysts, such as cryptosporidium and giardia, lead particles and chlorine taste and odor. Features include Quick Disconnect fittings on each end of the in-line filter. The filter contains a carbon block with lead sorbent media and the housing is made of rust and corrosion free plastic. Designed specifically for use with HTV Series Voyager water coolers but can be used on most Halsey Taylor models where space is a concern.

- | PART # | DESCRIPTION |
|----------|-------------------------------|
| 60800010 | 1-3/8" OD x 6-1/8" LG. filter |

**HOT WATER FILTER**

- | PART # | DESCRIPTION |
|----------|---|
| 94021010 | 3/4" inlet/outlet for hot water up to 200 F & pressure up to 200 psi. 5-1/8" W x 12" H. |

**FILTER CARTRIDGES**

- | PART # | DESCRIPTION |
|----------|--|
| 94021108 | Sediment cartridge for hot water. Removes sand, silt, scale, unseen sludge and rust particles. For water temperatures up to 300°F. |

FILTER-PAK FILTER FOR SUNROC COOLERS

- | PART # | DESCRIPTION |
|----------|---|
| 93831002 | Filter-Pak filter for Sunroc coolers. Removes taste, odor, and color from water. Cartridge contains STERILUM. Filter is 2-1/4"x 10-1/2". Designed for the following models: NFR-8,13, NSF-16W,20W, CSW-4,8,13, NSF-8T, 14T, 20T, NSF-8H,14H,20H, NSW-8H, 14H,16H, NSF-4,10. |
| 93831004 | Replacement cartridge for Filter-Pak |



**TOTAL
MAINTENANCE
SOLUTIONS**

HOUSTON
800/392-5066

ORLANDO
800/327-3022

GREENVILLE
800/476-2212

LOOK FOR US ON THE WEB AT: www.TMSSouth.com

SAFETY EQUIPMENT

DRENCH SHOWER WITH HORIZONTAL SUPPLY

ANSI Standard Z358.1-1998 compliant. Galvanized steel with BRADTECT™ Safety Yellow Coating. Impact resistant plastic showerhead, stainless steel fixture. With yellow plastic handle.



PART # 40401912
FOR PARTS SEE PAGE 4-2, 4-3



DRENCH SHOWER WITH VERTICAL SUPPLY

ANSI Standard Z358.1-1998 compliant. Galvanized steel with BRADTECT™ Safety Yellow Coating. Impact resistant yellow plastic showerhead.



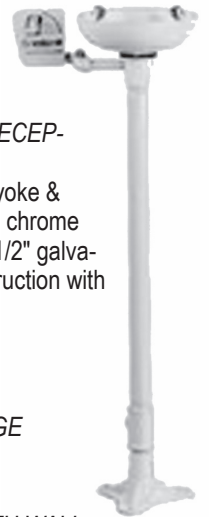
PART # 40400010

FOR PARTS SEE PAGE 4-2, 4-3

EYE WASH FIXTURES

PEDESTAL MOUNTED POLYPROPYLENE RECEPTOR

Chrome plated brass yoke & heads. 1/2" Stay-open chrome plated brass valve. 1-1/2" galvanized steel pipe construction with safety yellow coating.



PART # 40401921

FOR PARTS SEE PAGE 4-2, 4-3

EYE WASH UNIT WITH WALL BRACKET & TAIL PIECE

Complies with ANSI Standard Z358.1-1998. Unit has galvanized steel pipe and waste tee protected with BRADTECT™ Safety Yellow Coating. Plastic eye wash bowl. PART # 40401922



COMBINATION DRENCH SHOWER/EYE WASH UNIT

10" showerhead with yellow impact-resistant head. 1" IPS stay open chrome-plated brass ball valve w/ stainless steel pull rod. 10" eye wash bowl made of yellow impact-resistant plastic. 1/2" IPS chrome-plated stay open valve. 1-1/4" IPS female supply and waste.



PART # 40401910

STAINLESS RECEPTOR
Same with S/S shower head and eyewash bowl.

PART # 40401931
FOR PARTS SEE PAGE 4-2, 4-3

ON-SITE® GRAVITY-FED EYE WASH STATION

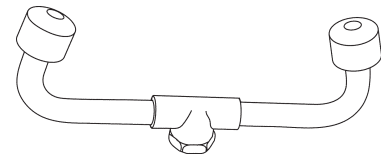
7-gallon capacity allows 15 minutes of flushing fluid. Blow molded tank without seams doesn't leak. Has built in handles for portability ease. Clear, patented polycarbonate tank allows you to see the flushing fluid. Meets ANSI Z358.1-1981 for self-contained eye wash stations. PART # 40401965

SEE PAGE 4-2 FOR WATER PRESERVATIVE



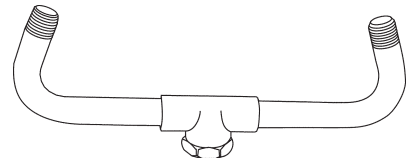
EYEWASH YOKE ASSEMBLY

PART # 40400509



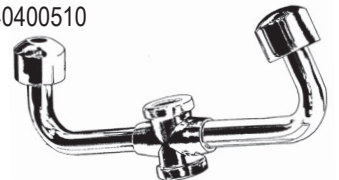
EYEWASH YOKE SUB ASSEMBLY

PART # 40400513



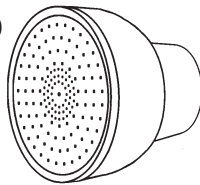
EYEWASH YOKE & SPRAY ASSEMBLY

PART # 40400510



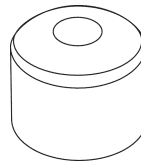
EYE WASH HEAD

PART # 40400515



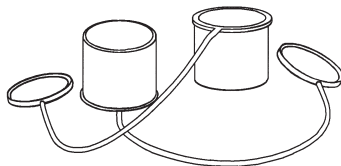
EYE WASH HEAD

PART # 40401151



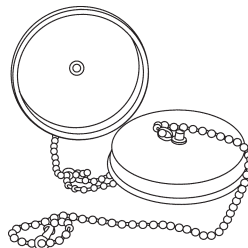
DUST COVER CAPS

PART # 40401073 (each)



DUST COVER CAPS

2-1/2" wide PART # 40405306



HOUSTON
800/392-5066

ORLANDO
800/327-3022

GREENVILLE
800/476-2212

LOOK FOR US ON THE WEB AT: www.TMSSouth.com

SAFETY EQUIPMENT

BRADLEY SAFETY REPLACEMENT PARTS




OPTI-AID PLUS PERSONAL EYEWASH STATION
Integral eye cup provides a gentle flush directly to the eye.

PART # 40400107

EYE WASH REPLACEMENT BOWLS

10" diameter impact-resistant plastic eye wash bowl
 PART # 40401545

10" diameter stainless steel eye wash bowl
 PART # 40401870



WATER PRESERVATIVE
 8 oz. bottle

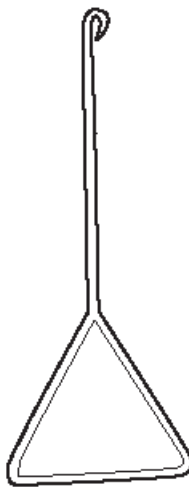
*Universal application can be used with any eyewash unit (plastic or stainless steel)
 Prevents bacteria, fungi and algae growth for up to 4 months.*



PART # 40400108

DRENCH SHOWER HANDLE VALVES
 24" pull rod only

PART # 40401281



DRENCH SHOWER BALL VALVE
 Brass 1" ball valve with lever

PART # 40401011



FOOT TREADLE KIT
Includes all necessary fittings for attaching to Bradley pedestal-mounted eye washes and combination showers for hand or foot operation.



PART # 40400109

EYE WASH FLOW RESTRICTORS

3.5 gpm, black, for eye wash only
 PART # 40400113

2.64 gpm, yellow, for eye wash only
 PART # 40400114

3.7 gpm, pink, used on eye wash with face spray ring
 PART # 40400115



EYE WASH HANDLE KITS
Includes stainless steel handle with hardware and 1/2" IPS stay-open ball valve.

PART # 40400110

Stainless steel handle with hardware.
 PART # 40400111

Plastic handle only
 PART # 40401280




Includes plastic handle with hardware and 1/2" IP stay-open ball valve.
 PART # 40400112

SHOWERHEADS

10" impact resistant plastic showerhead
 PART # 40402407

10" stainless steel showerhead
 PART # 40402408



STEM ASSEMBLY FOR EYE WASH FIXTURES ONLY
 Brass

PART # 40400116



EYE WASH BALL VALVES ONLY
 1/2" brass IPS stay-open ball valve only
 PART # 40402728



TOTAL MAINTENANCE SOLUTIONS

HOUSTON
 800/392-5066

ORLANDO
 800/327-3022

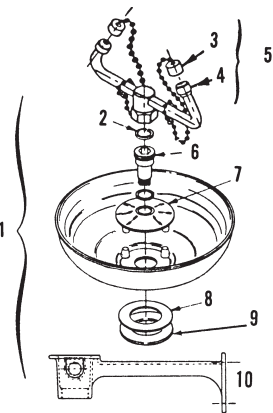
GREENVILLE
 800/476-2212

LOOK FOR US ON THE WEB AT: www.TMSSouth.com

SAFETY EQUIPMENT

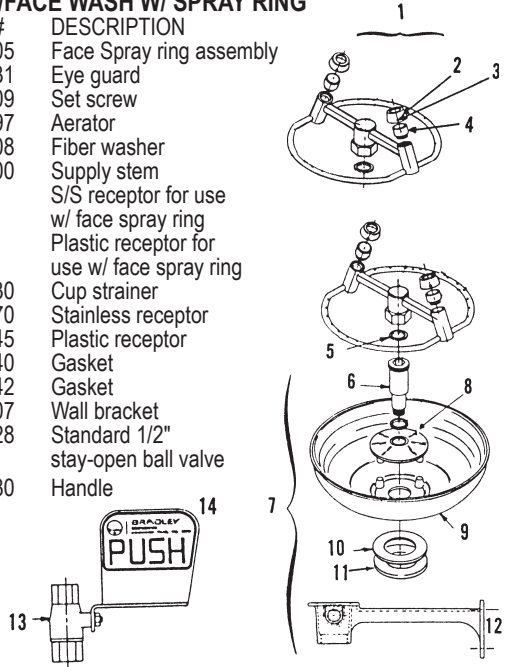
BRADLEY EYE WASH

ITEM	PART #	DESCRIPTION
1	40409009	Stainless receptor assembly
	40409028	Plastic receptor assembly
2	40401008	Gasket
3	40401073	Dust cover
4	40401151	Eye-wash head
5	40400506	Standard eyewash head assembly
6	40401205	Supply stem
7	40401730	Cup strainer
8	40401240	Gasket
9	40401242	Gasket
10	37082298	Wall bracket



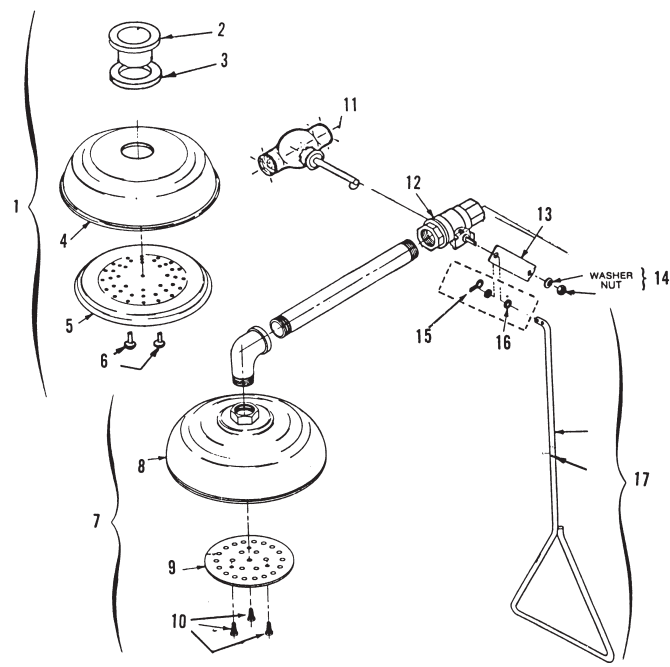
BRADLEY EYE/FACE WASH W/ SPRAY RING

ITEM	PART #	DESCRIPTION
1	40400505	Face Spray ring assembly
2	40401531	Eye guard
3	40400009	Set screw
4	40401697	Aerator
5	40401008	Fiber washer
6	40401200	Supply stem
7	NLA	S/S receptor for use w/ face spray ring
	NLA	Plastic receptor for use w/ face spray ring
8	40401730	Cup strainer
9	40401870	Stainless receptor
	40401545	Plastic receptor
10	40401240	Gasket
11	40401242	Gasket
12	40401007	Wall bracket
13	40402728	Standard 1/2" stay-open ball valve
14	40401280	Handle



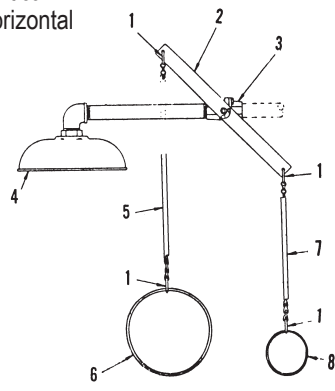
BRADLEY DRENCH SHOWER

ITEM	PART #	DESCRIPTION
1	40402408	Complete S/S showerhead assembly
2	NLA	Adapter (must replace showerhead)
3	40401250	Washer
4	40401870	Stainless showerhead shell
5	40401558	Diffuser - stainless
6	40401601	Screws
7	40402407	Complete plastic showerhead assy.
8	40401540	Plastic showerhead shell
9	40401550	Diffuser-plastic
10	40401602	Screws
11	40400901	1" self-closing valve
12	40401011	1" stay-open ball valve
13	40402631	Handle
14	40401001	Washer-nut (included w/ ball valve)
15	40404571	Pin for attaching rod
16	40401420	Washer
17	40401281	Chrome plated rod for stay-open valve
	40401288	Chrome plated rod for self-closing valve



BRADLEY DOUBLE CHAIN OPERATED SHOWER

ITEM	PART #	DESCRIPTION
1	40402690	"S" hook
2	40401261	Handle for vertical
	40401287	Handle for horizontal
3	40401011	1" ball valve
4	40402407	Plastic showerhead
	40402408	Stainless showerhead
5	40401340	Chain
6	NLA	Pull ring
7	40401344	Chain
8	40401046	Pull ring



EYE WASH TEST GAUGE

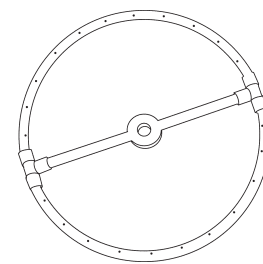
PART # 40400006



INSPECTION TAG
PART #40402044

FACE WASH SPRAY RING

PART # 36089087



TOTAL MAINTENANCE SOLUTIONS

HOUSTON
800/392-5066

ORLANDO
800/327-3022

GREENVILLE
800/476-2212

LOOK FOR US ON THE WEB AT: www.TMSSouth.com

SAFETY EQUIPMENT

ENCON

ENCON YELLO-BOWL™

ABS Plastic

PART # 40401110



ENCON SHOWER HEAD ASSEMBLY

ABS Plastic, 1" connection, 30 gpm

PART # 40400105



ENCON VALVE & PUSH PLATE

1/2"

PART # 40401051



ENCON REPLACEMENT FACE WASH COVERS

10" Chain

PART # 40401052



ENCON REPLACEMENT EYE WASH COVERS

10" Chain

PART # 40401053



ENCON REPLACEMENT EYEWASH HEAD

1.2 gpm

PART # 40401054

40401054



ENCON REPLACEMENT FACEWASH HEAD

1/4" NPT

PART # 40401050



40401050

GUARDIAN EQUIPMENT

1/2" IPS Stay-Open ball valve with flag handle. For most Guardian models.
PART # 40406001



Guardian 12" eye wash bowl. Cicolac plastic.

PART # 40401009 – Orange

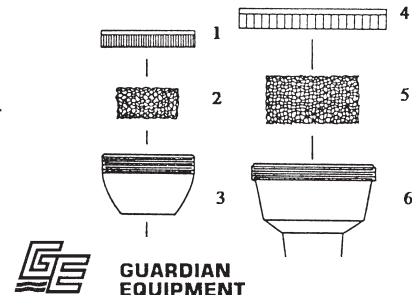
PART # 40401005 – Yellow



Guardian Cicolac 10" orange plastic shower head. 1-1/2" FIP inlet.
PART # 40404503

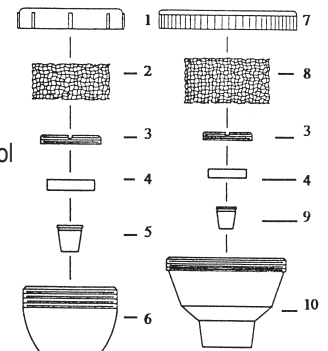
GENTLE SPRAY & FINE SPRAY OUTLET HEADS – DISCONTINUED

ITEM	PART #	DESCRIPTION
1	NLA	1-1/2" GS Delrin spray cover
2	40404600	GS polyurethane filter
1-3	NLA	Gentle Spray outlet head
4	NLA	2-1/2" FS Delrin spray cover
5	40400012	FS polyurethane filter
4-6	NLA	Fine Spray outlet head



GENTLE SPRAY & FINE SPRAY OUTLET HEADS– OLD STYLE

ITEM	PART #	DESCRIPTION
1	36340400	1-1/2" Delrin spray cover
2	40404600	GS polyurethane filter
3	NLA	Slotted retainer for float
4	NLA	Flow control holder (Order 40404700)
5	NLA	1.6 GPM flow control
1-6	40404700	Gentle Spray outlet head with flow control
7	40400013	2-1/2" Delrin spray head cover for use with brass body
	40402509	2-1/2" Delrin spray head cover for use with plastic body
8	40400012	FS polyurethane filter
9		3.0 GPM flow control (Order 40404702)
7-10	40404702	Fine Spray outlet head with internal flow control



**TOTAL
MAINTENANCE
SOLUTIONS**

HOUSTON
800/392-5066

ORLANDO
800/327-3022

GREENVILLE
800/476-2212

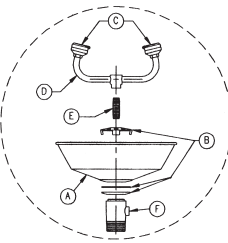
LOOK FOR US ON THE WEB AT: www.TMSSouth.com

SAFETY EQUIPMENT

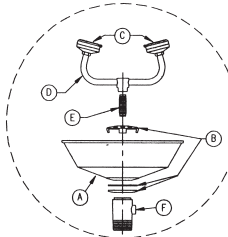
**GUARDIAN SAFETY STATIONS
(EYE & EYE/FACE WASHES)**

ITEM	PART #	DESCRIPTION
A	40401009	Orange plastic Green plastic Yellow plastic Stainless steel
B	40400059	Drain plate assembly for plastic bowls (includes drain plate, cupped washer and gasket)
	40400018	Drain plate assembly for stainless steel bowls (includes drain plate, cupped washer and gasket)
C	40400056	Dust cover assembly (plastic) for 2 GS Plus Spray heads
	40400014	Dust cover assembly (plastic) for FS Plus Spray heads
D	40404701	Spray head assembly (plastic heads w/ chrome plated brass fittings for 2 GS Plus Spray Heads)
	40400011	Spray head assembly (Same as above for 2 FS Plus Spray Heads)
		Spray head assembly (Same as above for 4 GS Plus Spray Heads)
E		Eyewash shank – 3/8" IPS x 2-1/4" Brass Shank
F		Waste receptor – 1-1/2" IPS male outlet

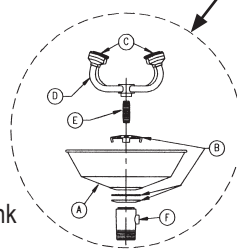
Assembly detail
Eye wash
(2 GS Plus
Spray Heads)



Assembly detail
Eye wash
(2 FS Plus
Spray Heads)



Assembly detail
Eye wash
(4 GS Plus
Spray Heads)



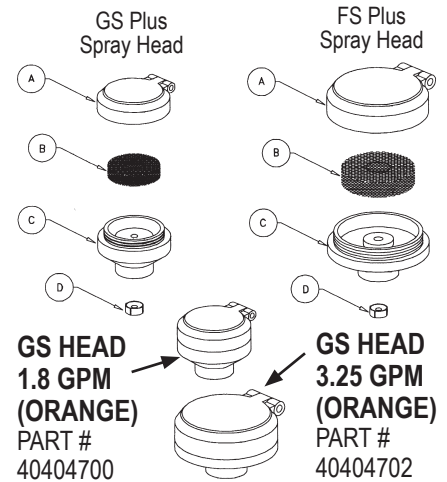
**GUARDIAN SPRAY HEAD
ASSEMBLY – GS PLUS AND
FS PLUS SPRAY HEAD**

GS PLUS SPRAY HEAD

ITEM	PART #	DESCRIPTION
A	40400056	Dust cover & cap assembly
B	40400020	60 ppi polyurethane filter (pack of 6)
C		Plastic body
D	40400057	1.8 GPM flow control

FS PLUS SPRAY HEAD

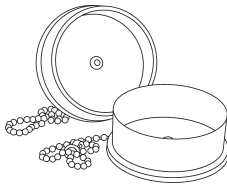
ITEM	PART #	DESCRIPTION
A	40400014	Dust cover & cap assembly
B	40400021	60 ppi polyurethane filter (pack of 6)
C		Plastic body
D	40400058	3.2 GPM flow control



**GUARDIAN EYE WASH
DUST COVERS –
GENTLE SPRAY
OUTLET**

1-3/4" plastic, 2 ea.
per package.

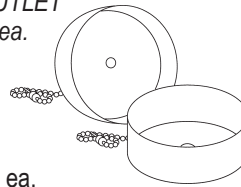
PART # NLA
Can substitute 2 ea.
PART # 40403150



**GUARDIAN EYE WASH
DUST COVERS
FINE SPRAY OUTLET**

2-1/2" plastic, 2 ea.
per package.

PART # NLA
Can substitute 2 ea.
PART # 40400063



FAUCET MOUNTED EYE WASH SYSTEM
Attaches directly to spout.

PART # 40401000



Did you know?

Water dissolves more substances than any other liquid. Wherever it travels, water carries chemicals, minerals and nutrients with it.

— AllAboutWater.org

COMING SOON
TO A BROWSER
NEAR YOU:

THE NEW
TMS SOUTH
WEB SITE
www.tmssouth.com

WATCH
FOR IT!



**TOTAL
MAINTENANCE
SOLUTIONS**

HOUSTON
800/392-5066

ORLANDO
800/327-3022

GREENVILLE
800/476-2212

LOOK FOR US ON THE WEB AT: www.TMSSouth.com

SAFETY EQUIPMENT

COMBINATION SHOWER AND EYE WASH

With 10" ABS plastic showerhead. Stainless steel eye wash receptor. Pull rod activation for shower. Eye wash activated by push flag or foot treadle. Meets ANSI Z358.1 Standard for emergency eye wash and shower equipment.

PART # 40400033



COMBINATION SHOWER AND EYE WASH

With 10" ABS plastic showerhead, eyewash receptor and twin Soft-Flo eye wash heads. Shower activated by pull rod. Eye wash activated by push flag. Meets ANSI Z358.1 Standard for emergency eye wash and shower equipment.

PART # 40400034

COMBINATION SHOWER AND EYE/ FACE WASH

With 10" ABS plastic showerhead, stainless steel eyewash receptor and twin ABS Feather-Flo® eye/face wash heads. Shower activated by pull rod. Eye wash activated by push flag or foot treadle. Meets ANSI Z358.1 Standard for emergency eye wash and shower equipment.

PART # 36368309



WALL MOUNTED EYE WASH RECEPTOR

Green plastic receptor, aluminum wall bracket and twin Soft-Flo ABS plastic anti-surge eye wash heads. Meets ANSI Z358.1 Standard for emergency eye wash and shower equipment.

PART # 40400028



EYE WASH MODEL 7460B

Wall-mounted unit features 11" round stainless steel receptor, aluminum wall bracket and twin Soft-Flo ABS plastic anti-surge eyewash heads. 1/2" IPS supply. Meets ANSI Z358.1 standards.

PART # 40400029



DRENCH SHOWER

With 10" ABS plastic showerhead and stay-open ball valve activated by a pull rod. Meets ANSI Z358.1 Standard for emergency eye wash and shower equipment.

PART # 40400031 (Horizontal)

PART # 40400032 (Vertical)



EYE/FACE WASH MODEL 7360B

Wall-mounted unit features 11" round stainless steel receptor, aluminum wall bracket and twin Feather-Flo® ABS plastic eye/face wash heads. 1/2" IPS supply. Meets ANSI Z358.1 standards.

PART # 36367360



PORTABLE GRAVITY OPERATED EYEWASH MODEL 7500

16 gallon capacity, FDA high-density green polyethylene tank. Provides over 15 minutes of pattern flushing at .4 gpm. Handles on top and side for easy handling. Wide fill opening with threaded cap permits easy inspection, cleaning and filling. Supplied with wall bracket and additive to allow storage of water up to 6 months.

PART # 40400030



EYE/FACE WASH MODEL 7610

Sink or countertop mounted polished chrome-plated brass single action swing-down to activate eye/face wash that features twin Feather-Flo® heads. 1/2" OD slip joint supply. Meets ANSI Z358.1 standards.

PART # 36367610



HOUSTON
800/392-5066

ORLANDO
800/327-3022

GREENVILLE
800/476-2212

LOOK FOR US ON THE WEB AT: www.TMSSouth.com

SAFETY EQUIPMENT

HAWS/WESTERN EMERGENCY EQUIPMENT ACCESSORIES

PART #	DESCRIPTION
40400022	(HAWS) Polished chrome plated brass. Soft-Flo anti-surge eye wash head with 1/4" FIP inlet. Used on Haws models 7612 & 7612LH. Water flow 1.2 GPM
40400023	(HAWS) ABS plastic Soft-Flo anti-surge eye wash head with 1/4" FIP inlet. Water flow 1.2 GPM
40400044	(WESTERN) Yellow soft PVC covered ABS plastic anti-surge eyewash head with 1/4" FIP inlet.
40400024	(HAWS) 2" ABS green plastic Feather-Flo eye wash head with 1/4" FIP inlet. Water flow rate 3.5 GPM
40400045	(WESTERN) Yellow ABS plastic 2" eye-face wash head with 1/4" FIP inlet.



40400022



40400023



40400024

HAWS BALL VALVE WITH FLAG

Rough chrome plated ball valve with flag. 1/2" FIP inlet x 1/4" FIP outlet. Used on most Haws eye wash units with horizontal installation. PART #40400026

Same as above with 1/2" FIP inlet x 3/8" FIP outlet with vertical installation PART #36360700

Flag only PART # 40400117



40400026

36360700

HAWS EYEWASH SPRAY HEAD ASSEMBLY MODEL SP62FC

Soft-Flo ABS plastic eyewash antisurge heads. One piece, electropolished Type 304 stainless steel eyewash yoke. 1/4" IPS. PART # 40400060

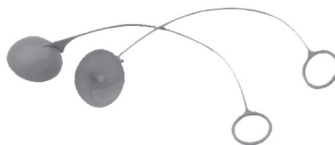


HAWS EYE/FACE WASH SPRAYHEAD ASSEMBLY MODEL SP69FC

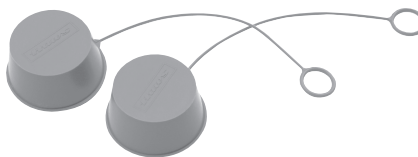
Same as above with Feather-Flo eyewash heads PART # 36365069

HAWS/WESTERN EYE WASH DUST COVERS

PART # DESCRIPTION
40400050 Plastic pop-off covers for eye wash units. Two per set.



40400051 Plastic pop-off covers for eye/face wash units. Two per set.



FACE SPRAY RING

Chrome plated brass face spray ring. Used on most Haws eye/face wash units. Water flow rate 1.8 GPM. PART # 40400025

EYEWASH FLOW CONTROL

1.2 gpm chrome-plated brass flow control assembly. Fits most Haws eyewashes. PART # 40400118



HAWS MODEL 8129FC SHOWER HEAD

ABS plastic. Also available in stainless steel.

PART # 40400052



HAWS MODEL SP509 INLINE STRAINER

Fully serviceable in-line, 50 x 50 mesh strainer filters debris from reaching the eyewash. Comes with a 1/2" slipjoint nut and washers for connection to combination shower and eyewash units. PART # 40400027



TOTAL MAINTENANCE SOLUTIONS

HOUSTON
800/392-5066

ORLANDO
800/327-3022

GREENVILLE
800/476-2212

LOOK FOR US ON THE WEB AT: www.TMSSouth.com

SAFETY EQUIPMENT

HAWS/WESTERN EMERGENCY EQUIPMENT

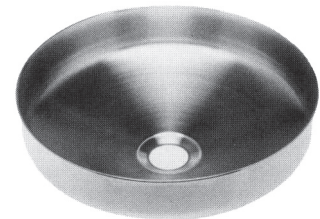
PART #	DESCRIPTION
40400047	1" Chrome plated stay open ball valve with handle for horizontal installation.
40400048	1" Chrome plated stay open ball valve with double arm handle for horizontal installations.
36942500	1" Chrome plated stay open ball valve with handle for vertical installation.
40400049	1" Chrome plated stay open ball valve with double arm handle for vertical installations.



PART #	DESCRIPTION
40400007	28" stainless steel pull rod. For use with stay open ball valve.



PART #	DESCRIPTION
36941351	Stainless steel 11" receptor for eyewash units.



Did You Know?

The word plumbing comes from the latin word for lead, *plumbum*.

For all your plumbing needs, call us!



**TOTAL
MAINTENANCE
SOLUTIONS**

HOUSTON
800/392-5066

ORLANDO
800/327-3022

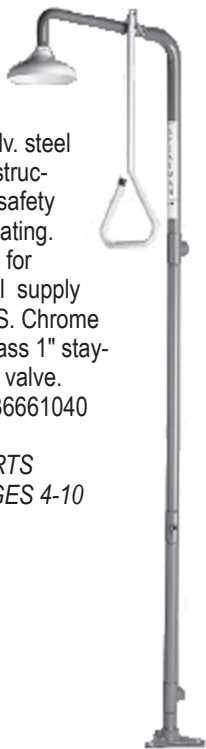
GREENVILLE
800/476-2212

LOOK FOR US ON THE WEB AT: www.TMSSouth.com

**DRENCH SHOWERS
FREE STANDING
DRENCH
SHOWER**

Free standing 8" Cyclac plastic self-cleaning head. 1-1/2" galv. steel pipe construction with safety yellow coating. Provision for horizontal supply 1-1/2" IPS. Chrome plated brass 1" stay-open ball valve. PART # 36661040

FOR PARTS
SEE PAGES 4-10

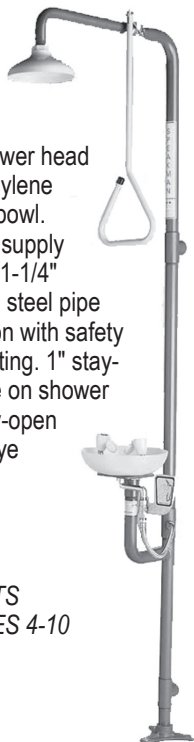


SPEAKMAN

**COMBINATION DRENCH
SHOWER/
EYE
WASH
UNIT
8"**

Cyclac plastic shower head & polypropylene eye wash bowl. 1-1/4" IPS supply and drain. 1-1/4" galvanized steel pipe construction with safety yellow coating. 1" stay-open valve on shower & 1/2" stay-open valve on eye wash. PART # 40400043

FOR PARTS
SEE PAGES 4-10



**HORIZONTAL DRENCH
SHOWER**

Horizontal supply 8" head of yellow impact resistant plastic. 1" horizontal supply with 1" chrome plated brass stay-open valve. 1" galvanized steel pipe const. with safety yellow coating. PART # 40400038

FOR PARTS SEE PAGES 4-10



VERTICAL DRENCH SHOWER

Vertical supply 8" head of yellow impact resistant plastic. 1" stay-open chrome plated brass ball valve. PART # 40400037

FOR PARTS SEE PAGES 4-10



EYE WASH FIXTURES

PEDESTAL MOUNTED POLYPROPYLENE RECEPTOR

Chrome plated brass yoke & heads. 1/2" Stay-open chrome plated brass valve. 1-1/2" galvanized steel pipe construction with safety yellow coating. PART # 40400040

WALL MOUNTED STAINLESS STEEL RECEPTOR

Chrome plated brass yoke & heads. 1/2" IPS Stay-open chrome plated brass valve. 1-1/4" IPS drain w/ cast aluminum wall mount. All with safety yellow coating. PART # 40400039 (SE-582)
Same as 40400039 except receptor is polypropylene. PART # 40400061 (SE-580)

FOR PARTS SEE
PAGE 4-10, 4-11



PART #
40400061



PART #
40400039



PART #
40400040

**EYE/FACE WASH
FIXTURE**

Wall mounted polyethylene bowl. 1/2" IPS Stay-open chrome plated brass valve. 1-1/4" IPS drain with safety yellow coating. PART # 36662040 (SE-495)

FOR PARTS SEE PAGE 4-11



**TOTAL
MAINTENANCE
SOLUTIONS**

HOUSTON
800/392-5066

ORLANDO
800/327-3022

GREENVILLE
800/476-2212

LOOK FOR US ON THE WEB AT: www.TMSSouth.com

SAFETY EQUIPMENT



SPEAKMAN

HAND-HELD AERATED EYE WASH

PART # 36663010 **DESCRIPTION**
Hand-held aerated eyewash. 5 ft. vinyl reinforced hose with 1/2" IPS male thread.



HAND-HELD TABLETOP MOUNTED AERATED EYE WASH

6 ft. vinyl reinforced hose with 1/2" IPS male thread.
PART # 36663020



GRAVITY FED, PORTABLE EYE-WASH

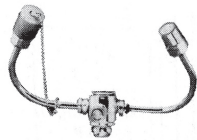
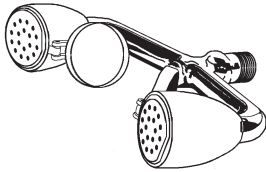
21-gallon capacity.

PART # 36664000



BULLHORN ASSEMBLY

PART # 40400036



PART # 40401000
Faucet mounted eye wash system. Attaches directly to spout.

EYESAVER FAUCET W/ GOOSENECK

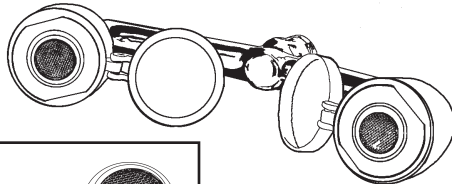
An independently operated eyewash combined with a gooseneck faucet. Features 1/4 turn Ceramic Perfect Valves and twin aerated sprays with flip top dust covers on the eyewash.

PART # 40400041



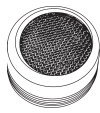
AERATED BULLHORN ASSEMBLY

PART # 40400035



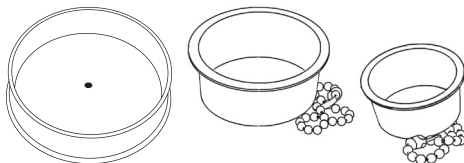
REPLACEMENT AERATOR

Use with old case with slot
PART # 40110209



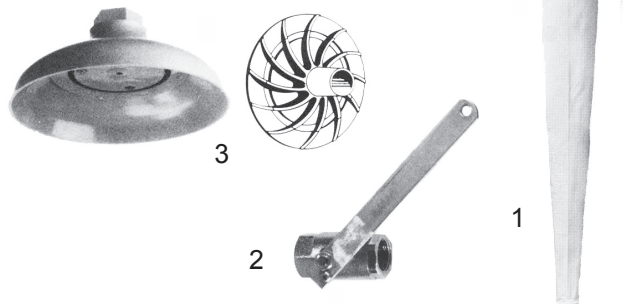
SPEAKMAN EYEWASH CAPS

PART #	DESCRIPTION
40400566	1-1/4" cap with chain (each)
40403150	1-3/4" cap with chain (each)
40400063	2-1/2" cap (each)



PARTS FOR SHOWERS

ITEM	PART #	DESCRIPTION
1	36663650	Shower tester
2	40400064	1" stay-open ball valve with S/S lever
3	36663630	8" Cylolac plastic shower head. 1" FIP inlet w/ impeller faceplate.



TOTAL MAINTENANCE SOLUTIONS

HOUSTON
800/392-5066

ORLANDO
800/327-3022

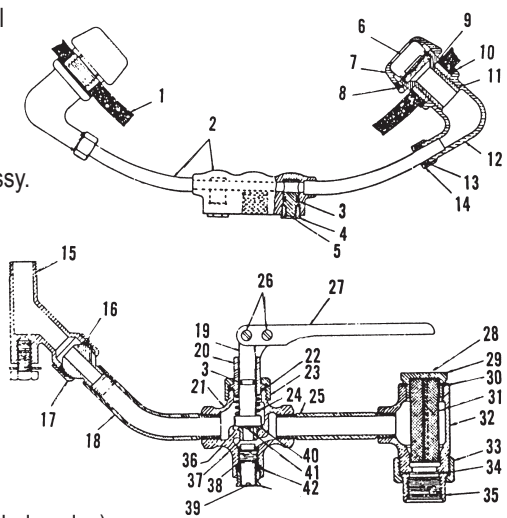
GREENVILLE
800/476-2212

LOOK FOR US ON THE WEB AT: www.TMSSouth.com

SAFETY EQUIPMENT

SPEAKMAN EYE WASH FIXTURE W/ VITREOUS CHINA BOWL

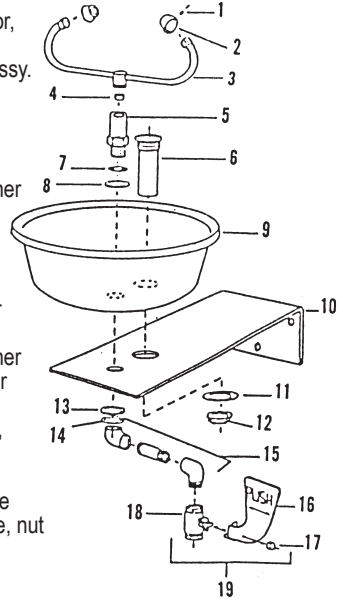
ITEM	PART #	DESCRIPTION
1	NLA	China Eye-Wash bowl
2	15890743	Control Tee & Tubes
3	40950019	O-Ring
4	15890135	V.C. packing nut
5	15890172	V.C. spindle
6	40400384	Aerator screen assy.
7	40400002	Aerator cap & shell assy.
8	40400016	Set screw
9	15890950	Fibre washer
10	15890995	Rubber washer
11	15890420	Stream outlet spud
12	15890748	Outlet elbow
13	89382006	Collar
14	15890125	Coupling nut
15	15890745	45 degree Tee
16	15891110	Packing
17	15890126	Coupling nut
18	15890848	Bent arm & ball assy.
19	15890168	Spindle assy.
20	NLA	Hub (NLA must buy whole valve)
21	NLA	Self Closing valve assy. less handle



ITEM	PART #	DESCRIPTION
22	40400395	Fibre washer
23	40400563	Hex nut
24	40403700	Spring
25	15890757	Pipe
26	40400068	Pin
27	15890220	Handle (SE-500)
28	15890741	Supply line strainer assy.
29	15890124	Hex nut
30	15890935	Fibre washer
31	15890740	Strainer Gauze
32	15890726	Strainer body
33	15890137	Coupling nut
34	15890860	Fibre washer
35	15890632	Swivel
36	15890710	Valve body & seat assy.
37	40400054	Seat
38	15890993	Brass washer
39	15890165	I.S. Spindle
40	40400005	Seat washer
41	40400019	Seat washer screw
42	15891126	Packing
43	15890123	I.S. Packing nut

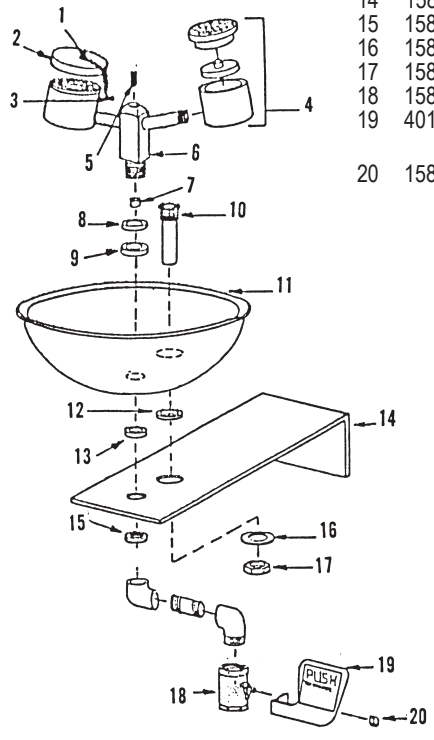
SPEAKMAN EYE WASH SE-580, SE-582

ITEM	PART #	DESCRIPTION
1	15891055	Set screw
2	40400002	Cap & aerator, set screw
3	NLA	Tee & tube assy.
4	15890689	Flow control
5	15890512	Adapter
6	15890619	Drain assy.
7	15891049	S/S washer
8	15890995	Rubber washer
9	15892062	Stainless steel bowl
10	15892061	Plastic bowl
11	15891156	Wall bracket
12	15891043	Fiber washer
13	15890137	Nut
14	15890995	Rubber washer
15	15891048	Brass washer
16	15890753	Pipe assy.
17	40400438	Push handle, nut, decal
18	15890138	Nut
19	15890691	1/2" ball valve
20	40402160	Valve, handle, nut



SPEAKMAN EYE/FACE WASH, SE-490, 495

ITEM	PART #	DESCRIPTION	ITEM	PART #	DESCRIPTION	
1	15890574	Chain assembly	9	15890995	Rubber washer	
2	40400063	Dust cover	10	15890619	Drain assy.	
3	NLA	Chain screw	11	15892061	Plastic bowl	
4	15890776	Spray head assy.	12	15892062	Stainless steel bowl	
5	15891072	Balancing screw	13	15891047	Brass washer (SE-495 only)	
6	15890724	Body & pipe assy.	14	15891048	Brass washer (SE-495 only)	
7	15890698	Flow control	15	15891156	Wall bracket	
8	15891049	S/S washer	16	15890995	Rubber washer	
			17	15891043	Fiber washer	
			18	15890137	Nut	
			19	15890691	1/2" ball valve	
			20	40150069	Handle, decal, nut	
				20	15890138	Nut



PUSH HANDLE W/ NUT NLA



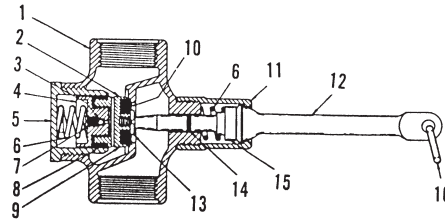
PUSH HANDLE W/ 1/2" BALL VALVE PART # 40402160



SAFETY EQUIPMENT

SPEAKMAN SELF-CLOSING VALVE (SE-900 & SE-901)

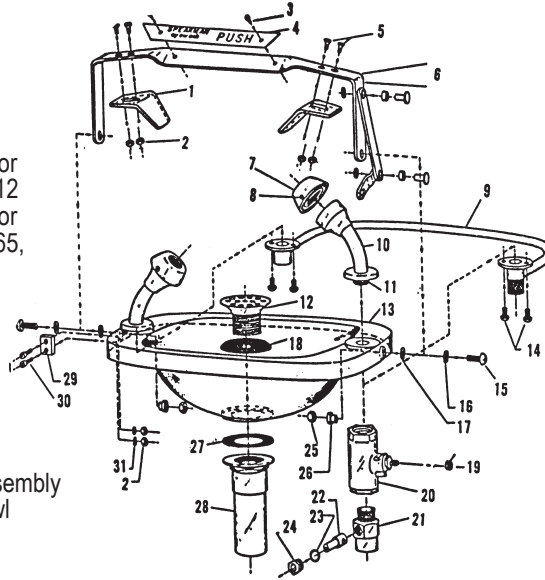
ITEM	PART #	DESCRIPTION
1		Valve body for SE-901
		Valve body for SE-900
2	15890393	Seat washer holder
3	15890380	Monel ball
4	15890394	Nut
5	15890115	Cap nut
6	15890770	Spring
7	15890379	By-pass regulator
8	15890928	Rubber cup washer



ITEM	PART #	DESCRIPTION
9	15890520	Piston assy. items 2,3,4 7,8,10 & 13
10	15890925	Washer
11	15890131	Handle nut
12	15890251	Lever handle
13	15891052	Screw
14	40950019	O-Ring
15	15890550	Plunger assembly
16	15890366	Ring

SPEAKMAN EYE WASH FIXTURE WITH STAINLESS STEEL BOWL, SE-505

ITEM	PART #	DESCRIPTION
1	NLA	Shield
2	15890128	Hex nut
3	15891067	Drive screw #2
4	15890782	Index
5	15891064	Screw
6	15890363	Handle assembly for SE-515,546,610,612
	15890362	Handle assembly for SE-505,535,545,565, 614, 616
7	40400002	Aerator cap & shell w/ screw
8	40400016	Set screw
9	15890852	Tubing manifold
10	15890851	Nozzle base & tube assembly
11	15891128	O-Ring
12	15890600	Strainer & plug assembly
13	15892050	Stainless steel bowl
14	15891053	Screw
15	15891065	Screw
16	15891018	Nylon washer
17	15891014	Nylon washer
18	15890854	Rubber washer



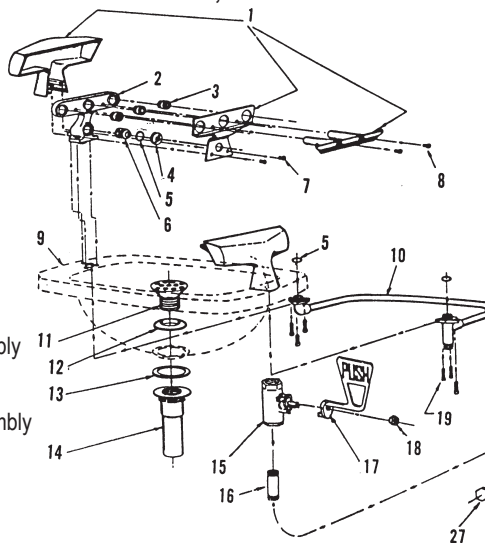
ITEM	PART #	DESCRIPTION
19	15890138	Nut
20	15890690	3/8" I.P. ball valve
21	15890720	Volume control assembly
22	15890172	Spindle
23	40950019	O-Ring
24	15890135	Packing nut
25	15890133	Hex nut
26	15890462	Handle bushing
27	15890920	Fiber washer
28	15890532	Tailpiece & spud assembly
29		Handle stop
30		Cap screw
31	15891017	6/32 Lockwasher
*	40400384	Aerator screen assembly
*	NLA	3/8" ball valve repair kit

* Not shown



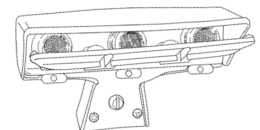
SPEAKMAN EYE/FACE WASH W/ PLASTIC SPRAY SHIELDS, SE-400

ITEM	PART #	DESCRIPTION
1	15890640	Shroud assembly
2	15890696	Body
3	40110209	Aerators
4	15890136	V.C. nut
5	40950025	O-Ring
6	NLA	V.C. spindle
7	15891066	Screw
8	15891067	Screw
1-8	40400042	Shroud, Body & Aerator assembly
9	15892060	Bowl
10	15890665	Manifold assembly
11	15890600	Strainer & Plug assembly
12	15891042	Rubber washer
13	15890920	Fiber washer
14	15890532	Tailpiece & spud assembly
15	15890691	1/2" ball valve
16	15890752	1/2" IPS nipple
17	40400438	Handle
18	15890138	Jam nut
19	15891068	Screw



ITEM	PART #	DESCRIPTION
20	15890742	Supply line strainer assembly
21	15890137	Coupling nut
22	15890632	Swivel
23	15890860	Fiber washer
24	15890733	Strainer body
25	15890740	Strainer gauze
26	15890935	Fiber washer
27	15890124	Hex nut
*	15892140	1/2" ball valve repair kit (Not shown)

SHROUD ASSEMBLY PART # 40400042



**TOTAL
MAINTENANCE
SOLUTIONS**

HOUSTON
800/392-5066

ORLANDO
800/327-3022

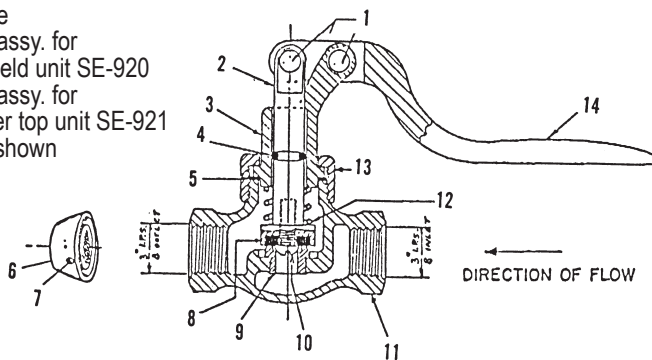
GREENVILLE
800/476-2212

LOOK FOR US ON THE WEB AT: www.TMSSouth.com

SPEAKMAN

SPEAKMAN HANDHELD UNITS SE-920, SE-921

ITEM	PART #	DESCRIPTION	ITEM	PART #	DESCRIPTION
1	40400068	Pin	14	40400259	Handle
2	40400177	Spindle self-closing valve	*	40400015	Hose assy. for handheld unit SE-920
3	NLA	Hub			
4	40950019	O-Ring	*	40400017	Hose assy. for counter top unit SE-921
5	40400395	Fibre washer			* Not shown
6	40400002	Metal cap & shell assy.			
*	40400384	Aerator screen assy.			
7	40400016	Set screw			
8	40400005	Black rubber washer			
9	40400054	Seat			
10	40400019	Machine screw			
11	40400516	Valve body			
12	40403700	Compression spring			
13	40400563	Hex nut			



NOTES



**TOTAL
MAINTENANCE
SOLUTIONS**

HOUSTON
800/392-5066

ORLANDO
800/327-3022

GREENVILLE
800/476-2212

LOOK FOR US ON THE WEB AT: www.TMSouth.com

SAFETY EQUIPMENT

SAFETY-WALK ANTI-SLIP MATERIALS

The complete line of Safety-Walk antislip materials help solve costly slip and fall problems before they begin, improve product performance, and safety. These antislip materials even work around oil, grease, and water. Indoors and outdoors.

Ease of application makes for instant protection. Goes on like tape to a clean, dry surface. Available in assorted shapes and colors. Lasts for years with minimum maintenance.



GENERAL PURPOSE

- Dramatically reduces the chance of injury from falls in heavy traffic areas.
- Diamond-hard mineral top surface with adhesive backing.
- Use on non-porous surface applications. (For porous surfaces-use with Safety-Walk Primer.)
- No drying time necessary-ready for immediate use.

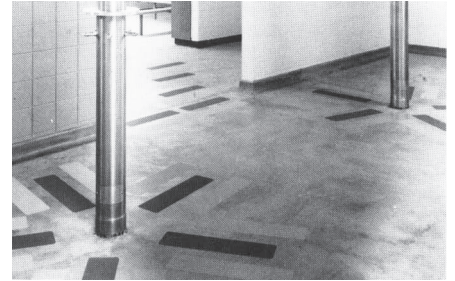
COLOR: Black - also available in clear

PART #	DESCRIPTION
80001001	3/4" x 24" Strip
80001007	5-1/2" x 5-1/2" Treads
80001004	6" x 24" Treads
80001005	2" x 60 ft. Roll
80001006	4" x 60 ft. Roll

Available in other sizes: 6", 12", 18", 24", 36" & 48" x 60 ft. Rolls.

RESILIENT - MEDIUM GRADE

- Dramatically reduces the chance of injury from falls.
- Medium textured polymer, ideal for smooth, flat surfaces.
- Use indoors or outdoors.
- Light & medium duty applications on or around barefoot traffic areas.



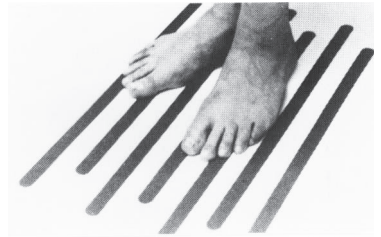
COLOR: Grey -also available in Black.

PART #	DESCRIPTION
80003004	2" x 60 ft. Roll
80003006	4" x 60 ft. Roll

Available in other sizes: 1", 6", 12", 18", 24", 36" & 48" x 60 ft. Rolls.

RESILIENT - FINE GRADE

- Sanitary. Can be cleaned the same as tub or shower areas and just as easy.
- Durable. Strips will stay securely in place. Easily replaced without damage to tub or shower.
- Colorfast. Won't fade or wash out.
- Easy to apply. Adhesive backed. Sticks at a touch.



COLORS: White & Clear

PART #	DESCRIPTION
80005002	6" x 24" Tread-White
80005004	2" x 60 ft. Roll
80005006	4" x 60 ft. Roll
40500261	3/4" x 17" Strips-White
40500262	3/4" x 17" Strips-Clear

Available in other sizes: 1", 6", 12", 18", 24", 36" & 48" x 60 ft. Rolls.

SAFETY-WALK ACCESSORY PRODUCTS

PRIMER

For priming porous surfaces such as concrete and wood prior to Safety-Walk installation.

PART #	DESCRIPTION
80005050	One quart-Primer
80005010	5 oz. tube edge sealer - seals 100 L.F.

EDGE SEALING COMPOUND

For sealing areas exposed to water, grease or oil for extended periods of time.

SAFETY-WALK is a product of the 3-M Company



CONFORMABLE

- Dramatically reduces the chance of injury from falls.
- Diamond-hard mineral provides positive grip.
- The new anti-slip material you can roll, bend, or angle.
- No drying time necessary-ready for immediate use.

COLOR: Black

PART #	DESCRIPTION
80002001	5-1/2" x 5-1/2" Tread
80002002	6" x 24" Tread
80002004	2" x 60 ft. Roll
80002006	4" x 60 ft. Roll

Available in other sizes: 3/4", 1", 6", 12", 18" & 24" x 60 ft. Rolls.



**TOTAL
MAINTENANCE
SOLUTIONS**

HOUSTON
800/392-5066

ORLANDO
800/327-3022

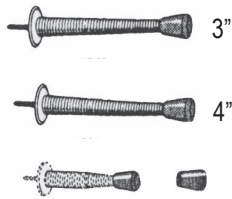
GREENVILLE
800/476-2212

LOOK FOR US ON THE WEB AT: www.TMSSouth.com

HARDWARE & TOILET PARTITIONS

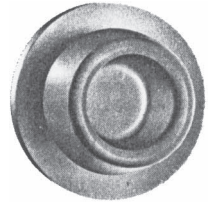
FLEXIBLE DOOR STOPS

PART #	DESCRIPTION
82000202	3" Steel – aluminum finish economy
50200244	3" Steel – bright brass finish
50200245	3" Steel – bright nickel finish
50200246	4" Steel – bright brass finish
50200247	Replacement tip for flexible stop



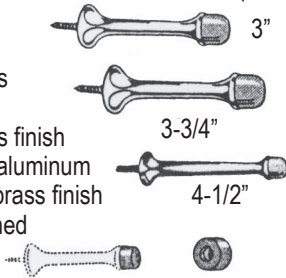
WALL DOOR STOP-ADHESIVE BACKED

PART #	DESCRIPTION
50200020	1-7/8" dia. white adhesive backed resilient bumper
50200005	1-7/8" dia. grey adhesive backed resilient bumper



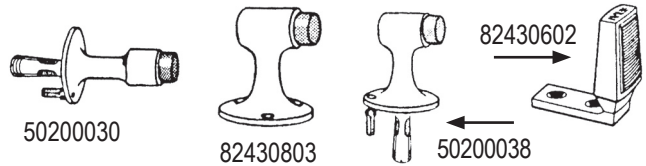
DOOR STOPS

PART #	DESCRIPTION
50200235	3" aluminum – bright brass finish – economy
50200232	3" aluminum – bright brass finish
50200248	3" aluminum – burnished aluminum
82430206	3-3/4" aluminum – bright brass finish
82430216	4-1/2" aluminum – burnished aluminum finish
50200249	Replacement tip for stops



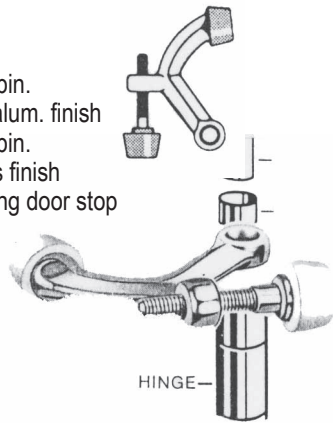
HEAVY DUTY WALL & FLOOR STOPS

PART #	DESCRIPTION
50200030	3-5/8" cast brass wall mtd. stop. Bright chromium finish
50200038	3" high cast brass floor stop. Bright chromium finish
82430803	3" high cast brass floor stop. Dull bronze finish
50200236	2-5/8" high steel-zinc plated finish. For undercut doors
82430415	Bumper only for 82430803



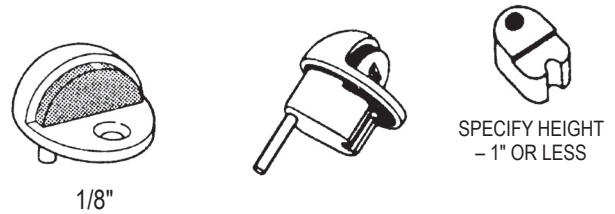
HINGE PIN DOOR STOP

PART #	DESCRIPTION
82430301	1/4" to 5/16" hinge pin. alum. – burnished alum. finish
50200250	1/4" to 5/16" hinge pin. alum. – bright brass finish
50200251	Heavy duty adjusting door stop – bright brass finish



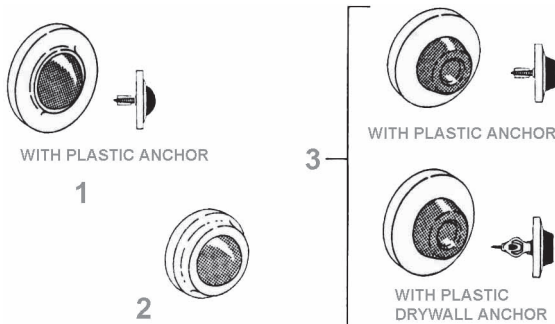
DOMES STOPS & RISERS

PART #	DESCRIPTION
50200008	Dome stop for doors w/o thresholds Cast brass – bright brass finish
50200252	Same as 82430608. Cast brass – dull bronze finish
50200000	Same as 82430608. Cast brass – bright chromium finish
82430604	5/8" Riser for carpeted floors
82430606	1" Riser for carpeted floors

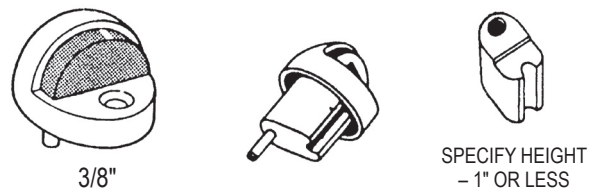


WALL BUMPERS & STOPS

ITEM	PART #	DESCRIPTION
1	50200012	2-1/2" dia. brass – bright brass finish
2	50200004	1" dia. Brass – dull chromium finish
3	50200226	2-1/2" dia. Alum. – alum. satin finish
	50200011	2-1/2" dia. Brass – bright chrome finish
	82430408	Same as 82430406. Comes w/ toggler



PART #	DESCRIPTION
50200001	Domed stop for doors w/thresholds Aluminum-Aluminum satin finish
50200009	Same as 50200001. Cast brass – bright brass finish
50200254	Same as 50200001. Cast brass – dull bronze finish
50200255	Same as 50200001. Cast brass – bright chromium finish
82430614	5/8" Riser for carpeted floors
50200257	1" Riser for carpeted floors



HOUSTON
800/392-5066

ORLANDO
800/327-3022

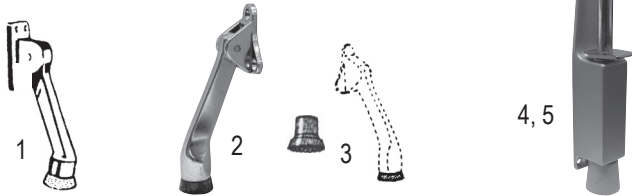
GREENVILLE
800/476-2212

LOOK FOR US ON THE WEB AT: www.TMSSouth.com

HARDWARE & TOILET PARTITIONS

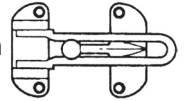
KICK-DOWN DOOR HOLDERS

ITEM	PART #	DESCRIPTION
1	50200200	4" Solid brass – dull chromium finish
	82430802	5" Solid brass – dull chromium finish
2	50200194	4" Aluminum – bright brass finish
	50200196	4" Aluminum – burnished alum. finish
	50200258	4" Cast brass – bright brass finish
	82430810	4" Cast brass – bright chromium finish
3	50200197	Replacement tip for kick-down stops
4	50200205	Plunger door stop – aluminum
5	50200207	Plunger door stop – bronze



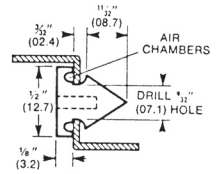
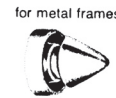
DOOR GUARDS

PART #	DESCRIPTION
50200264	Aluminum – bright chromium finish
50200265	Aluminum – bright brass finish
50200266	Aluminum – antique brass finish



DOOR SILENCER

PART #	DESCRIPTION
50200233	Gray rubber – for metal frames



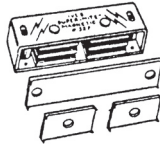
DOOR STOP & HOLDER

PART #	DESCRIPTION
82430340	Cast iron – bright brass finish



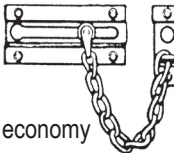
MAGNETIC DOOR CATCH

PART #	DESCRIPTION
82431402	Heavy duty Super-Mite catch aluminum – burnished aluminum finish



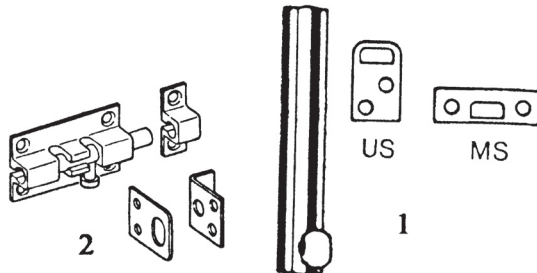
CHAIN DOOR GUARDS

PART #	DESCRIPTION
50200259	Wrought brass – bright brass finish
82431004	Wrought steel – bright brass finish
50200260	Wrought steel – bright brass finish – economy
50200261	Wrought steel – dull nickel finish



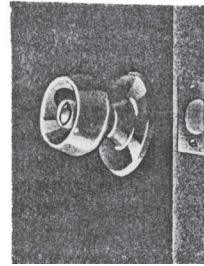
SURFACE & SLIDE BOLTS

ITEM	PART #	DESCRIPTION
1	50200262	3" Surface bolt. Aluminum, aluminum satin finish
	50200263	4" Surface bolt. Cast brass, dull chromium finish
2	82431204	3" Security bolt. Cast brass, bright brass finish



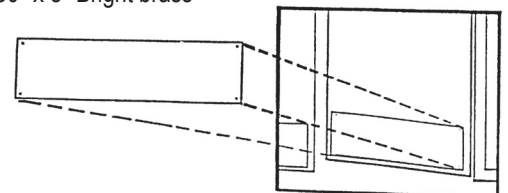
WALL PROTECTOR

PART #	DESCRIPTION
50200238	3" Wall Protector w/ adhesive
50200234	5" Wall Protector w/ adhesive



KICK PLATES

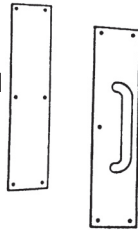
PART #	DESCRIPTION
82001050	26" x 7" Lexan kick plate
82431550	30" x 8" Stainless steel
82431560	30" x 8" Aluminum
82431570	30" x 8" Bright brass



HARDWARE & TOILET PARTITIONS

PUSH/PULL PLATES

PART #	DESCRIPTION
50200108	3-1/2" x 15" Push plate – stainless steel
50200107	3-1/2" x 15" Push plate – aluminum
50200109	3-1/2" x 15" Push plate – bright brass
50200084	3-1/2" x 15" Pull plate - stainless steel
50200083	3-1/2" x 15" Pull plate - aluminum
50200085	3-1/2" x 15" Pull plate – bright brass



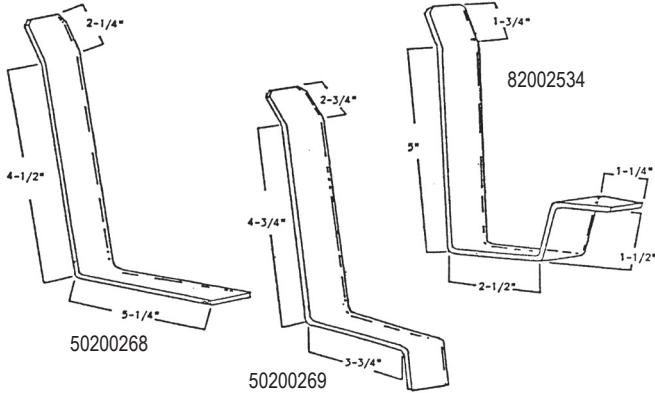
DOOR SAVER – POLISHED BRASS

PART #	DESCRIPTION
82035002	2-3/8" Backset, 1-3/4" thickness – large
82035004	2-3/8" Backset, 1-3/8" thickness – large
82035006	2-3/8" Backset, 1-3/4" thickness – small
82035008	2-3/8" Backset, 1-3/8" thickness – small



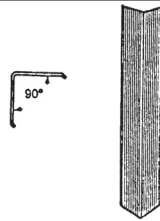
DRAPERY HOLD BACK (LEXAN)

PART #	DESCRIPTION
50200268	Drapery hold back – single bend
50200269	Drapery hold back – special bend
82002534	Drapery hold back – double bend



CORNER GUARDS

PART #	DESCRIPTION
40500062	1" x 1" x 48" Lexan plastic
80106010	3-1/2" x 3-1/2" x 40" stainless steel
40500069	3-1/2" x 3-1/2" x 48" stainless steel
40500060	3/4" x 3/4" x 48" Lexan plastic
40500061	3/4" x 3/4" x 96" Lexan plastic



DRAPERY ACCESSORIES

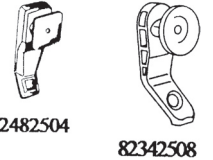
TRAVERSE RODS

PART #	DESCRIPTION
82482514	Regular duty, two-way, traverse rod 28" to 48", projects 2-1/2" to 4-1/4"
82482516	Regular duty, two-way, traverse rod 48" to 84", projects 2-1/2" to 4-1/4"



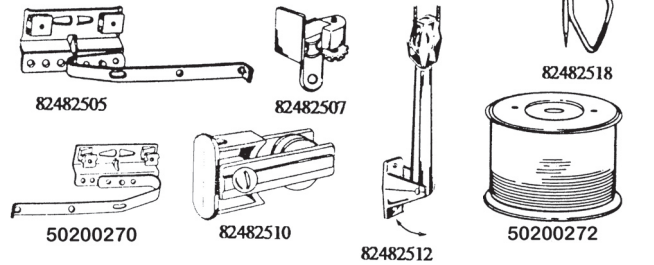
TRAVERSE SLIDE

PART #	DESCRIPTION
82482504	Celcon – Traverse slide – Kirsch
82342508	White – Traverse slide – Graber



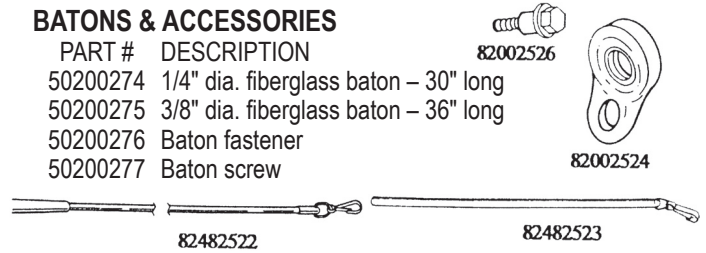
TRAVERSE ROD ACCESSORIES

PART #	DESCRIPTION
82482505	One-way master slide, left or right
50200270	Reversible master slide for one-way draw
82482507	End cap
82482510	Insert pulley & cap – for Kirsch 9000
50200271	Plastic cord tension pulley
50200272	1/8" x 500 ft. nylon drapery cord
82482519	White plastic cord drop
82482517	Curtain hook-For 3-1/2" open heading Decorative rods only
50200273	Heavy duty offset pin-on hook



BATONS & ACCESSORIES

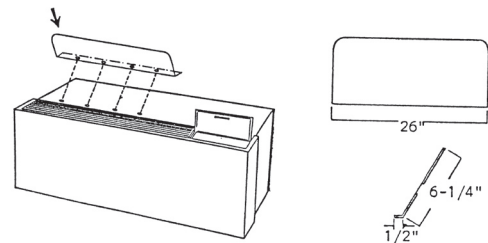
PART #	DESCRIPTION
50200274	1/4" dia. fiberglass baton – 30" long
50200275	3/8" dia. fiberglass baton – 36" long
50200276	Baton fastener
50200277	Baton screw



ENERGY GUARD

Air control system for motels, hospitals, nursing homes and other applications. Compatible with all tip vented heat pumps. Installs with four #6 self tapping screws. Made of clear Lexan.

PART # 82001070



HOUSTON
800/392-5066

ORLANDO
800/327-3022

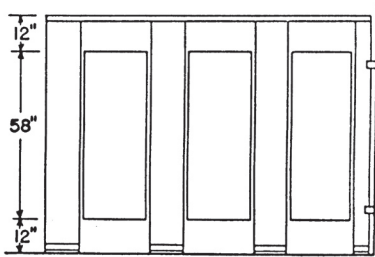
GREENVILLE
800/476-2212

LOOK FOR US ON THE WEB AT: www.TMSSouth.com

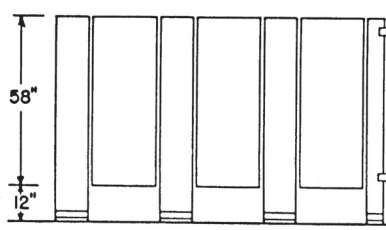
HARDWARE & TOILET PARTITIONS

TOILET COMPARTMENTS

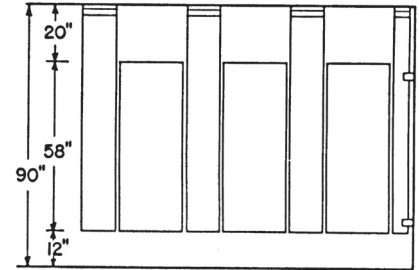
Toilet compartments are available in Baked Enamel, Stainless Steel, Plastic Laminate, Solid Phenolic Core (SPC) and High Density Polyethylene (HDPE). Detail specifications are available on each of these materials. Please request our product guide for more information. The product guide also lists colors available for each type of material.



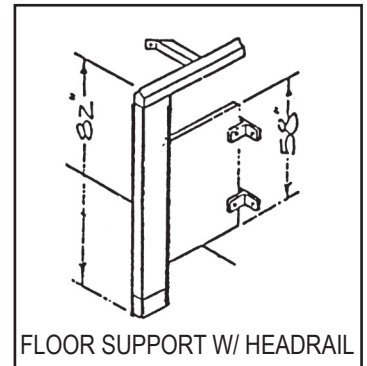
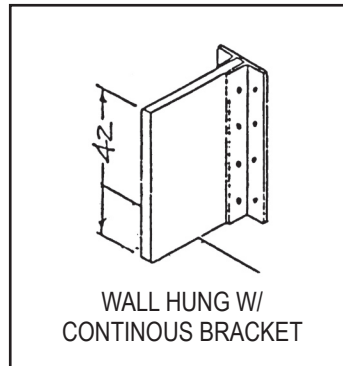
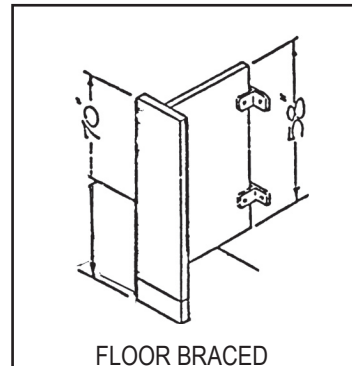
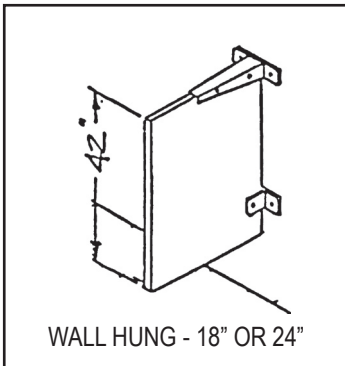
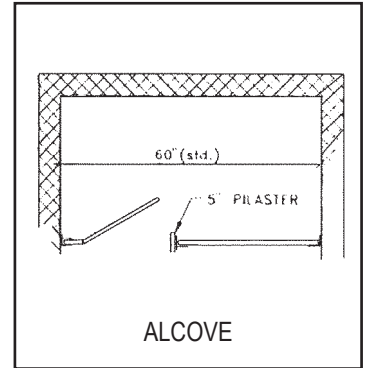
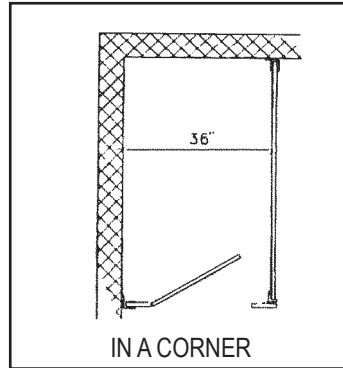
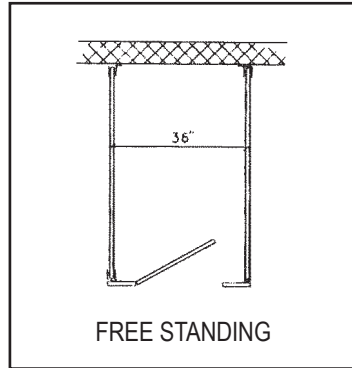
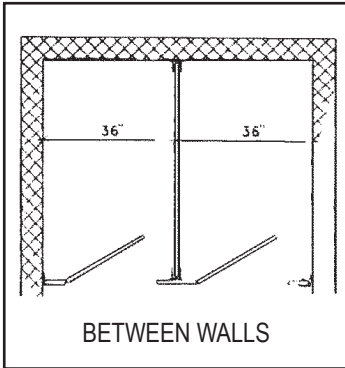
FLOOR SUPPORTED W/ HEADRAIL



FLOOR SUPPORTED



CEILING HUNG

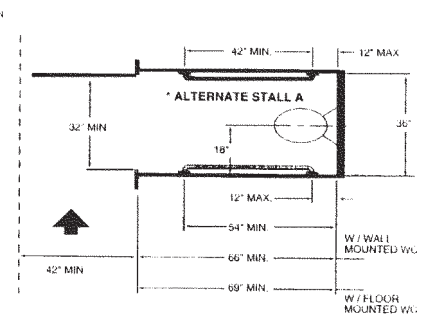
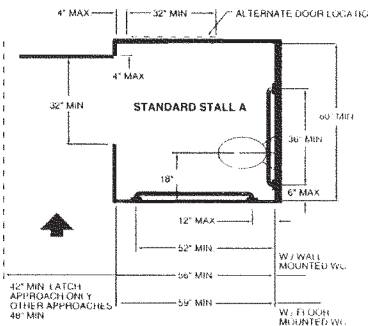


ADA TOILET COMPARTMENTS

TMS SOUTH can assist you in modifying existing stalls or designing new ones to comply with ADA requirements.

NEED IT FAST ?

We can ship floor supported partitions with headrail in: baked enamel (almond) in two working days, plastic laminate in three working days (almond, white & light grey), or solid plastic (HDPE) in five working days (gray, desert beige and ebony & ivory).



FAX A SKETCH WITH DIMENSIONS – WE WILL GIVE COST & DELIVERY



TOTAL MAINTENANCE SOLUTIONS

HOUSTON
800/392-5066

ORLANDO
800/327-3022

GREENVILLE
800/476-2212

LOOK FOR US ON THE WEB AT: www.TMSouth.com

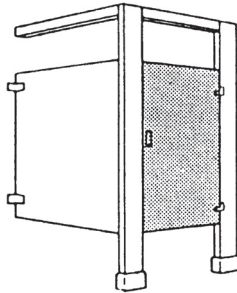
HARDWARE & TOILET PARTITIONS

INDIVIDUAL COMPONENTS

If you need to replace a damaged component on your existing partitions, TMS SOUTH can supply these in baked enamel steel, stainless steel, plastic laminate, solid plastic or phenolic. Request our product guide to match colors with your existing partitions.

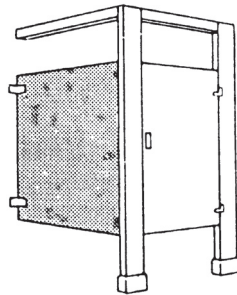
DOORS

Please specify the actual door size i.e. 23-1/2" x 58" and thickness or the actual door opening i.e. 24". Also specify the material and whether the door is inswing or outswing. All doors are shipped with mounting hardware.



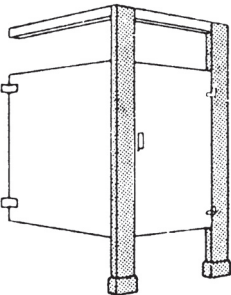
PANELS

Please specify the actual panels size and thickness (i.e. 54-1/2" x 58" x 1"). Also specify the material. Panels come with hardware to mount them to the wall and pilasters.



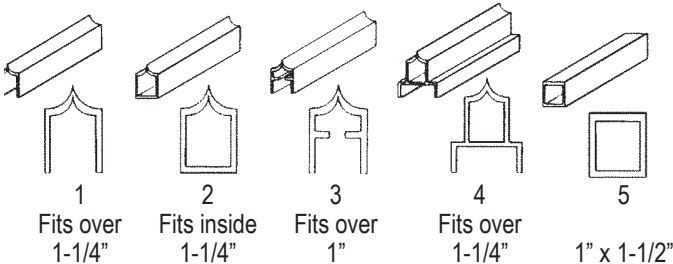
PILASTERS

Please specify the width, length and thickness of the pilaster. For floor mounted pilasters with headrail indicate whether the headrail slips over or into the pilaster. Pilasters come with hardware to mount them to the floor or ceiling and a pilaster shoe.



HEADRAIL

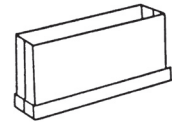
Specify the type of headrail and length required. Any length over 100" cannot be shipped by UPS.



PILASTER SHOES

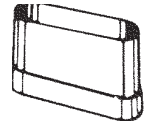
Please specify if shoe is for floor or ceiling hung pilaster and the type of material it is used on i.e. baked enamel. Mounting hardware is ordered separately

TYPE A	TYPE B	SIZE
PART #	PART #	
50400333	77462080	2"
50400305	77462082	3"
50400291	77462084	4"
50400298		5"
50400306	77462088	6"
50400308	77462090	8"
50400310	77462092	10"
50400311	77462094	12"
50400038	77462096	14"
77461098	77462098	18"
77461099	77462099	24"



Type A
For 1-1/4" Sq. edge pilasters

Type B
For 1-1/4" round edge pilasters



Open type (one-end) also available (specify)

GRAB BAR - SAFETY BARS



All grab bars are 304 stainless steel (18 gauge). All 1-1/4" and 1-1/2" grab bars are produced to satisfy the handicap code for State and Federal requirements. Check with your local code authority concerning use of 1-1/4" or 1-1/2" diameter bars. These bars meet ANSI A117.1. All bars listed below come with standard finish. Peened finishes are available.

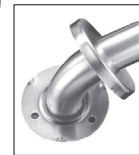
1-1/4" EXP. MTNG. PART #	1-1/2" CON. MTNG. PART #	BAR LENGTH
80772330	80774330	18"
80772332	80774332	24"
80772338	80774338	36"
80772340	80774340	42"



EXPOSED MOUNTING



CONCEALED MOUNTING



Snap Flange

STAINLESS STEEL GRAB BARS – SNAP FLANGE

PART #	DESCRIPTION
80775718	1-1/4" x 18" Chrome grab bar
80775720	1-1/4" x 18" White grab bar
50200278	1-1/4" x 24" White grab bar
40500140	1-1/2" x 18" Stainless steel grab bar
40500135	1-1/2" x 24" Stainless steel grab bar
50200279	1-1/2" x 30" Stainless steel grab bar
80775332	1-1/2" x 32" Stainless steel grab bar
40500116	1-1/2" x 36" Stainless steel grab bar
40500117	1-1/2" x 42" Stainless steel grab bar
50200280	1-1/2" x 48" Stainless steel grab bar

REFER TO PAGE 5-20 FOR INFORMATION ABOUT SPECIALTY GRAB BARS



TOTAL MAINTENANCE SOLUTIONS

HOUSTON
800/392-5066


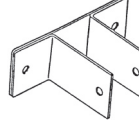
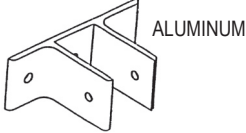
ORLANDO
800/327-3022

GREENVILLE
800/476-2212

LOOK FOR US ON THE WEB AT: www.TMSSouth.com

HARDWARE & TOILET PARTITIONS

TWO EAR WALL BRACKET

PANEL SIZE	CHROME ZAMAK PART #	S/S STAMPING PART #	ALUM. EXTRUSIONS PART #	
1/2"		77461433		 ZAMAK
3/4"	77462002	77461533	77774034	S/S STAMPING
7/8"	50200296			
1"	50400042	77461753	50200282	
1" (1)	50400043		50200283	 ALUMINUM
1-1/4"	50400044			

(1) Extra long bracket 3-1/2"


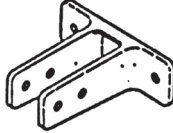
TWO PIECE BRACKET

CHROME ZAMAK
PART # 50400040


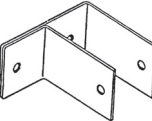
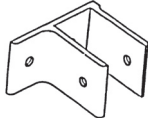


URINAL SCREEN BRACKET

CHROME ZAMAK

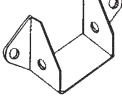
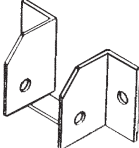
PART #	PANEL THICK.	BRACKET LENGTH	
50400068	1"	3-1/2"	 50400036
50400036	1"	12"	 50400037
50400037	1-1/4"	6"	50400068

ONE EAR WALL BRACKET

PANEL SIZE	CHROME ZAMAK PART #	S/S STAMPING PART #	ALUM. EXTRUSIONS PART #	
1/2"		77461463		 ZAMAK
3/4"	50200299	77461563	77774035	
7/8"	50200300			
1"	50400047	77631016	50200284	
1-1/4"	50400048	77461843	50200285	 ALUMINUM

S/S STAMPING

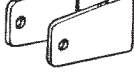
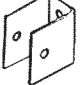
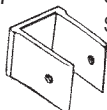
HEADRAIL WALL FITTING

HEADRAIL SIZE	CHROME ZAMAK PART #	S/S STAMPING PART #	
1"	50400041	77462169	 ZAMAK
1-1/4"	50400051		 S/S STAMPING

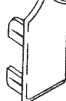
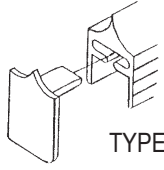
ALCOVE CLIPS

PART #	DESCRIPTION	
50200305	1 (pr) clips for joining 1" panels to 1-1/4" pilasters	
50400365	Curved molding (fits at top & bottom and joins to 1-1/4" pilaster)	

U-BRACKET

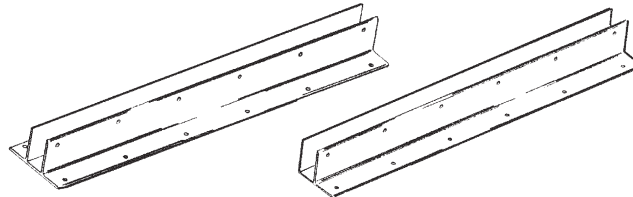
PANEL SIZE	CHROME ZAMAK PART #	S/S STAMPING PART #	ALUM. EXTRUSION PART #	
1/2"		77461943		 ZAMAK
3/4"	50200302	77461953		
7/8"	50200303			
1"	50400050	77461913	77775007	S/S STAMPING
1-1/4"	50200304			 ALUMINUM

HEADRAIL END CAPS

PART #	DESCRIPTION	
77466670	Headrail end cap for type 4 headrail	
77201050	Headrail end cap for type 3 headrail	
77260088	Headrail end cap for type 1 headrail	TYPE 3

CONTINUOUS WALL BRACKETS - EXTRUDED ALUMINUM FOR PARTITIONS WITH 58" HIGH PANELS

PART #	DESCRIPTION
77462344	1" x 57-1/2" Two ear
77462345	1" x 41-1/2" Two ear
77462334	1" x 57-1/2" One ear
77462354	1-1/4" x 57-1/2" One ear



CONTINUOUS WALL BRACKETS FOR SOLID PLASTIC PARTITIONS WITH 55" HIGH PANELS

DESCRIPTION	ALUM	WHITE	BEIGE	GREY	BLUE	BRN.	BLK	TEAL
1" x 54" Two ear	50400052	77201008	77201010	77201012	77201014	77201016	77201018	77201020
1" x 54" One ear	77201002	77201022	77201024	77201026	77201028	77201030	77201032	77201034
1" x 54" "H" Brkt.	77201004	77201036	77201038	77201040	77201042	77201044	77201046	77201048



**TOTAL
MAINTENANCE
SOLUTIONS**

HOUSTON
800/392-5066

ORLANDO
800/327-3022

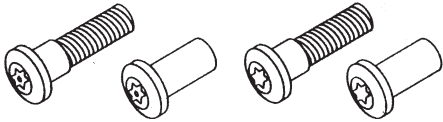
GREENVILLE
800/476-2212

LOOK FOR US ON THE WEB AT: www.TMSSouth.com

HARDWARE & TOILET PARTITIONS

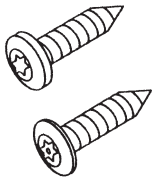
TORX HEAD SHOULDER SCREW & BARREL NUTS (10-24)

PART #	M	F	DESCRIPTION
50300384	15/16"		CP steel with center pin
50300385	3/4"		S/S with center pin
50300386	1-5/16"		CP steel with center pin
50300387	15/16"		CP steel without center pin
50300388	1-5/16"		CP steel without center pin
50300389		5/8"	CP steel with center pin
50300390		5/8"	CP steel without center pin
50300391		3/4"	S/S with center pin



TORX HEAD SECURITY SCREWS

PART #	SIZE	DESCRIPTION
50300392	#14 x 5/8"	Chrome plated steel without center pin
50300393	#14 x 3/4"	S/S with center pin



50300394 Torx bit – for screws with center pin



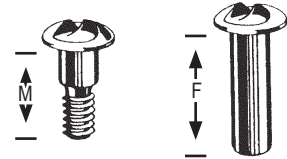
ONE-WAY SHEET METAL SCREWS

PART #	DESCRIPTION	USE
77461068	#8 x 3/4" self tapping screw	Coat Hook
50300167	#10 x 5/8" self tapping screw	Slide Latch
50300165	#10 x 3/4" self tapping screw	Slide Latch
50300166	#10 x 1" self tapping screw	Flat back strike
77469233	#12 x 1-1/2" self tapping screw	Bracket to Wall
50300404	#14 x 5/8" self tapping screw	Bracket to Panel or Pilaster

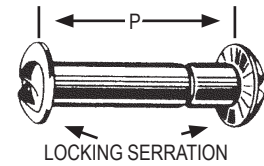


MALE SHOULDER SCREWS & FEMALE BARREL NUTS (10-24)

PART #	M	F
50300403	1/2"	
50300217	15/16"	
50300219	1-5/16"	
50300221		1/2"
50300222		5/8"



M	+	F	=	P
1/2"		1/2"		3/4"
15/16"		5/8"		1"
1-5/16"		5/8"		1-1/4"



STAMPED S/S FOR SQUARE POSTS

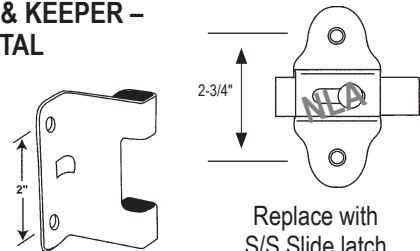
Please specify door size (thickness)

 INSWING Specify door thickness	 OUTSWING Specify post size	 INSWING For 3/4" doors	 INSWING Specify door thickness
 INSWING STRIKE Specify door thickness Keeper	 OUTSWING STRIKE & KEEPER Specify door thickness	 STRIKE for any size. KEEPER for IN or OUTSWING	 INSWING LATCH & STRIKE COMBO Can be used if door and post are equal

INSWING STRIKE & KEEPER - S/S FOR SANYMETAL

PART # 7777269
For 3/4" doors

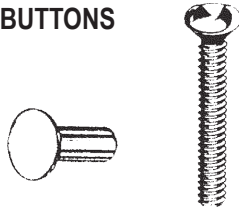
PART # 7777270
For 1" doors



Replace with S/S Slide latch

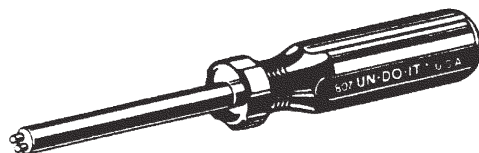
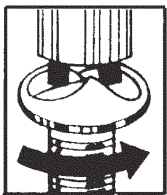
MACHINE SCREWS & FEMALE BUTTONS (8-32)

PART #	M	F
50300181	3/4"	
50300183	1-1/8"	
50300228		1/2"



ONE - WAY SCREW REMOVAL TOOLS

PART #	DESCRIPTION
50300225	Removal tool fits screw sizes 4-6-8
50300226	Removal tool fits screw sizes 10-12
50300227	Removal tool fits screw sizes 14,18,1/4,3/8
50300224	Removal tool kit (3 sizes) - Fits all sizes



HOUSTON
800/392-5066

ORLANDO
800/327-3022

GREENVILLE
800/476-2212

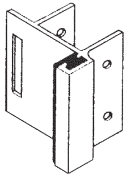
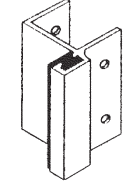
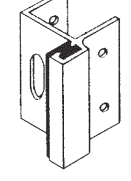
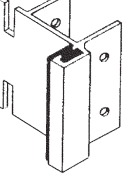
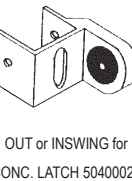


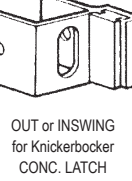
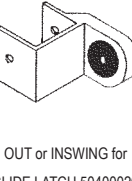
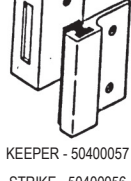
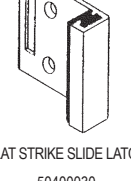
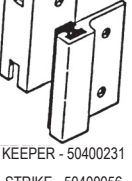
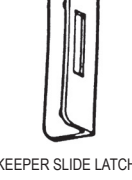
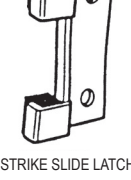
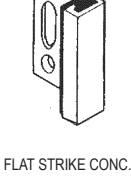
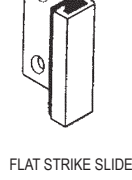
LOOK FOR US ON THE WEB AT: www.TMSSouth.com






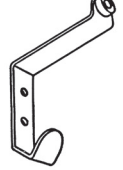
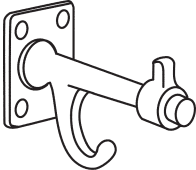
HARDWARE & TOILET PARTITIONS

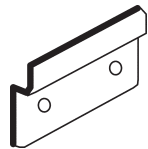
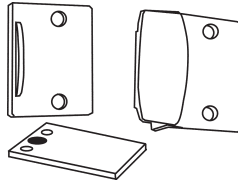
STRIKE & KEEPERS FOR SQUARE EDGE (1-1/4") POST (Plastic Laminate)

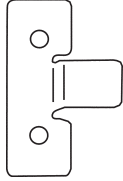
COAT HOOKS & BUMPERS

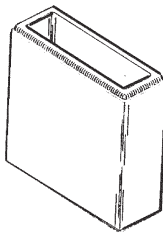
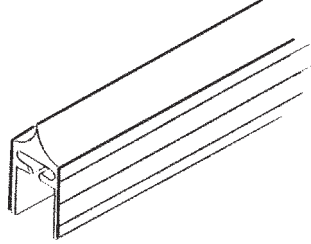
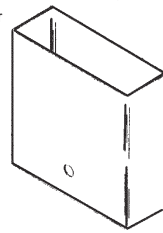
A = distance between screw holes

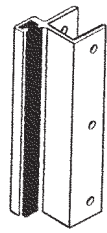
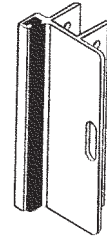
 INSWING 50400233	 OUTSWING 50400236	 OUT or INSWING for CON. LATCH 50400239	 INSWING for THROW LATCH 77465130
 OUT or INSWING for CONC. LATCH 50400027	 INSWING for THROW LATCH 50400028	 OUT or INSWING for Sany- metal CONC. LATCH 7775052	 OUT or INSWING for Knickerbocker CONC. LATCH 77461152
 OUT or INSWING for SLIDE LATCH 50400026	 KEEPER - 50400057 STRIKE - 50400056	 FLAT STRIKE SLIDE LATCH 50400030	 KEEPER - 50400231 STRIKE - 50400056
 KEEPER SLIDE LATCH Sanymetal 50400035	 STRIKE SLIDE LATCH Sanymetal 50400034	 FLAT STRIKE CONC. LATCH 50400031	 FLAT STRIKE SLIDE LATCH 50400029

 TWO PRONG HOOK Pol. Brass - 77461030 Chrome - 50400244	 DOOR STOP 50400241	 COAT HOOK and BUMPER Sanymetal 50400243
 COAT HOOK and BUMPER 50400240 BUMPER ONLY 77461029	 COAT HOOK and BUMPER 50400251	 S/S HOOK & BUMPER 50400246
 CLOTHES HOOK AND BUMPER BOBRICK 77101010		

 Bobrick INSWING KEEPER 77101004	<p>PART # 77462350 For Global or Accurate</p> 
--	---

 Bobrick OUTSWING KEEPER 77101006	<p>IF YOU'RE UNSURE ABOUT WHICH PARTS YOU NEED... CALL US, WE'D BE GLAD TO HELP!</p>
--	---

<p>Plastic pilaster shoes Order by size & color.</p> 	<p>HEAD RAIL FOR 1" SOLID PLASTIC PILASTERS</p> <p>Heavy Duty Aluminum headrail Order by the foot.</p> 
<p>Stainless steel pilaster shoes. Order by size.</p> 	

 OS Strike & Keeper 77501012 6" Aluminum	 IS Strike & Keeper 77501014 6" Aluminum
--	---



**TOTAL
MAINTENANCE
SOLUTIONS**

HOUSTON
800/392-5066

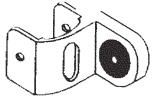
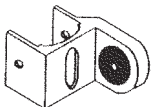
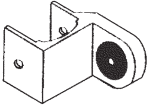

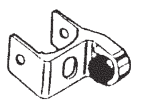
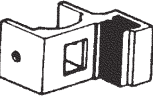
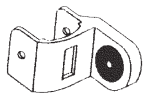
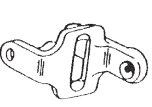
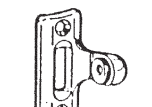
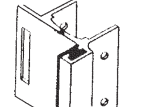
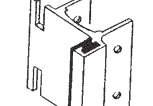
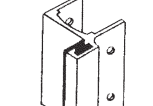
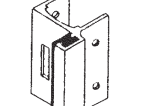
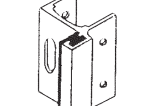
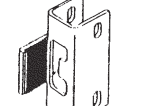
ORLANDO
800/327-3022

GREENVILLE
800/476-2212

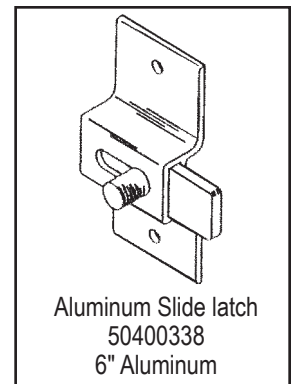
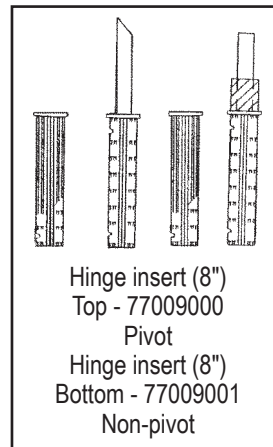
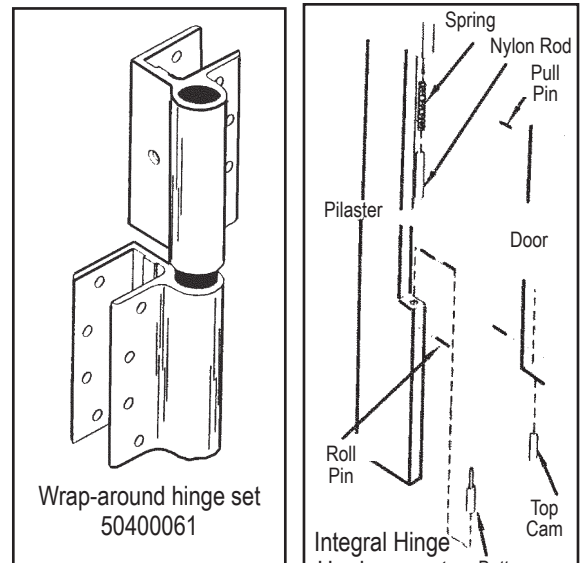
LOOK FOR US ON THE WEB AT: www.TMSSouth.com

HARDWARE & TOILET PARTITIONS





STRIKE & KEEPERS FOR ROUND EDGE (1-1/4") POST (Baked Enamel Steel)

				
OUT or INSWING for CONC. LATCH with round bar 50400024	IN or OUTSWING for CONC. LATCH 50200236	OUTSWING for SLIDE LATCH 50400026	NO LONGER AVAILABLE USE 50400024 OUT or INSWING TOGGLE TYPE Sanymetal 77775018	OUT or INSWING for CONC. LATCH Sanymetal 77775046
				
OUT or INSWING for CONC. LATCH Knickerbocker 50200286	OUT or INSWING for CONC. LATCH with FLAT TIP 50400033	STRIKE & KEEPER Mills 77630318	STRIKE & KEEPER Mills 50400025	INSWING for SLIDE LATCH 50400232
				
INSWING for THROW LATCH 50400234	OUTSWING for SLIDE LATCH 50400235	IN or OUTSWING for CONC. LATCH w/ flat bar 50200307	IN or OUTSWING for CONC. LATCH w/ round bar 77465430	STRIKE & KEEPER Weis/Robart 77990136

HARDWARE FOR SOLID PLASTIC PARTITIONS



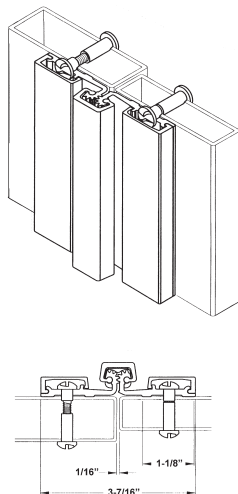
DOOR PULLS

			
2-5/8" BETWEEN SCREWS Sanymetal 77775030	2-3/4" BETWEEN SCREWS 50400248	3-1/2" BETWEEN SCREWS 50400249	4" BETWEEN SCREWS Knickerbocker 77466240

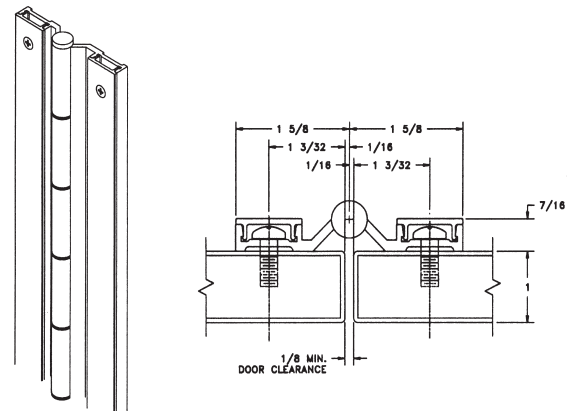
CONTINUOUS HINGES FOR ANY TOILET STALL INSTALLATION

FULL SURFACE GEARED HINGES FROM SELECT PRODUCTS SELECT SL60 AND SL62 FULL SURFACE, CONTINUOUS GEARED HINGE

- Bonds pilaster and door into one continuous unit
- Door "kick-back" shock dissipates along entire hinge length
- Compensates for warped or irregular doors and frames
- Quick, easy installation
- One-way, slotted, chrome-finished barrel nuts and shoulder screws
- System is:
 - tamper-proof
 - rust-proof
 - maintenance free
- Use with all types of partition applications



FULL SURFACE SPRING LOADED HINGES FROM MARKAR PRODUCTS, INC.



TOTAL MAINTENANCE SOLUTIONS

HOUSTON
800/392-5066

ORLANDO
800/327-3022

GREENVILLE
800/476-2212

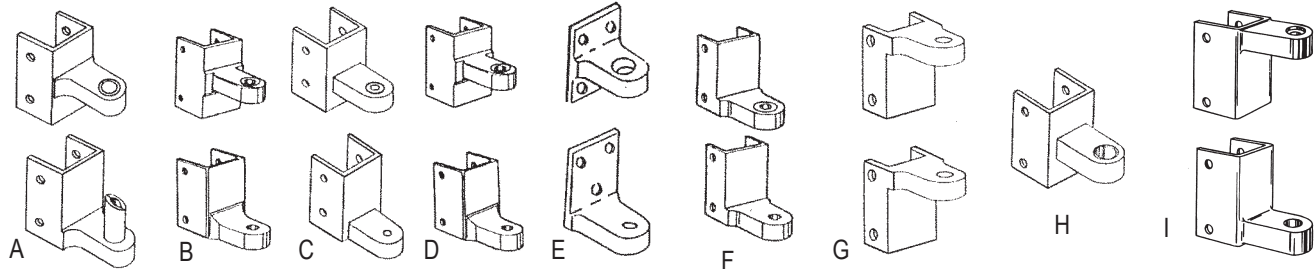
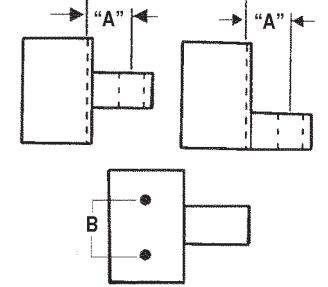
LOOK FOR US ON THE WEB AT: www.TMSSouth.com

HARDWARE & TOILET PARTITIONS

GRAVITY PIVOT HINGES FOR SQUARE POST (1-1/4")

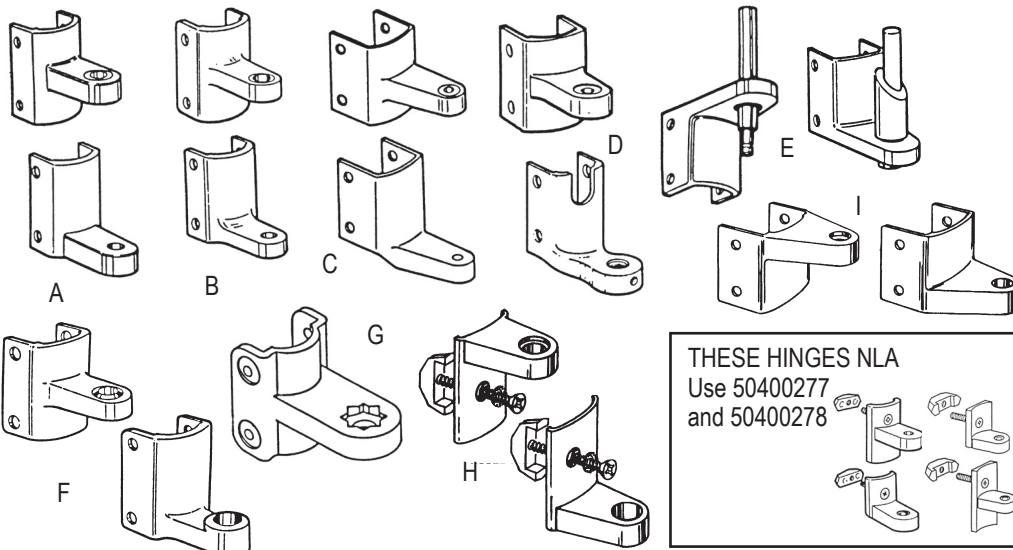
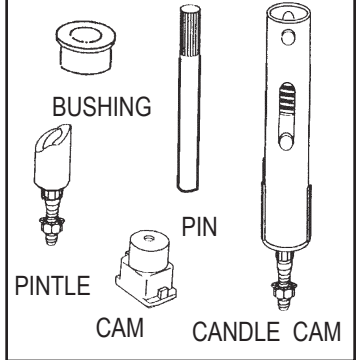
TYPE	TOP HINGE	BOTTOM HINGE	DIMEN. "A"	DIMEN. "B"	PIN	BUSH.	PINTLE	CAM
A	77463610	77463110	1.125		77469585	77469095	77000012	77462010
A	77463620	77463120	1.155		50400227	77469060	50400293	
B	77000211	77000214	1.275	1.5	50400255		50400293	77468185
C	50400355	50400356	1.385	1.125	50400260	77469062	50400293	77269000
A	77463930	77463430	1.104	1.5	50400227	77469060	77631014	
D	50200287	50200288	1.125	1.25	50200289		50200293	
E	77464020	77464022	1.385	1.125	50400260	77469062	50400293	77269000
F	77461026	77461022	1.313	1.5	50400262	77469060	77000012	77462010
G	77005175	77005280	1.265	1.5	50400262	77469060	77260311	
H	77011610	77011610	1.3	1.5	77011173			
I	50200291	50200292			77301400		77301600	77301700

HINGE IDENTIFICATION

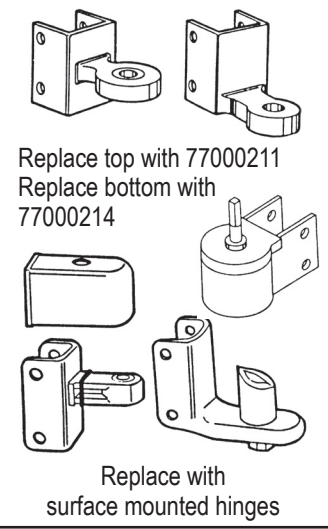


GRAVITY PIVOT HINGES FOR ROUND POST (1-1/4")

TYPE	TOP HINGE	BOTTOM HINGE	DIMEN. "A"	DIMEN. "B"	PIN	BUSH.	PINTLE	CAM
A	50400279	50400280	1.187	1.5	50400262	77469060		
B	50400288	50400289	1.104	1.5	50400227	77469060	77467245	
C	50400284	50400283	1.385	1.125	50400260	77469062	77467245	
D	50400277	50400278	1.165	1.25	50200289		50400274	
E	KIT	50400285		1.375	INCLUDED	INCLUDED	INCLUDED	
F	77001820	77001810	1.187	1.5	-	-	77011806	77011807
G	77002300	77002300		1.375	-	-	77005000	-
H	50400359	50400360			77301400		77301600	77301700
I	50400361	50400362			77301400		77301600	77301700



DISCONTINUED HINGES



**TOTAL
MAINTENANCE
SOLUTIONS**

HOUSTON
800/392-5066

ORLANDO
800/327-3022

GREENVILLE
800/476-2212

LOOK FOR US ON THE WEB AT: www.TMSSouth.com

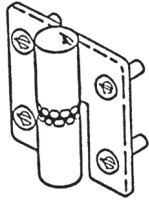
HARDWARE & TOILET PARTITIONS

SURFACE MOUNTED HINGES

SURFACE MOUNTED HINGE PAIR

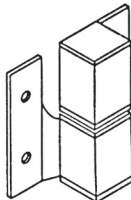
1-1/2" Vertical & 2-3/8" Horizontal between screws

RH-IN or LH-OUT 50400270
RH-OUT or LH-IN 50400271
Hinges are chrome plated brass



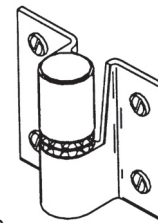
SURFACE MOUNTED HINGE PAIR

LH-IN or RH-OUT 50400266
RH-IN or LH-OUT 50400265
Hinges are cast stainless steel

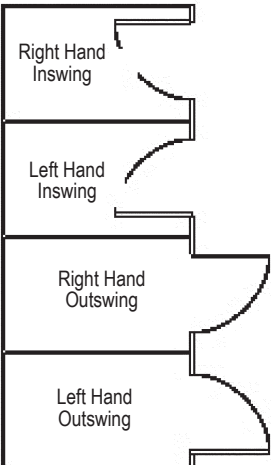


SURFACE MOUNTED HINGE PAIR

LH-IN or RH-OUT 50400269
RH-IN or LH-OUT 50400268
Hinges are cast stainless steel

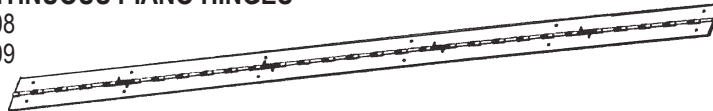


DOOR SWING



STAINLESS STEEL CONTINUOUS PIANO HINGES

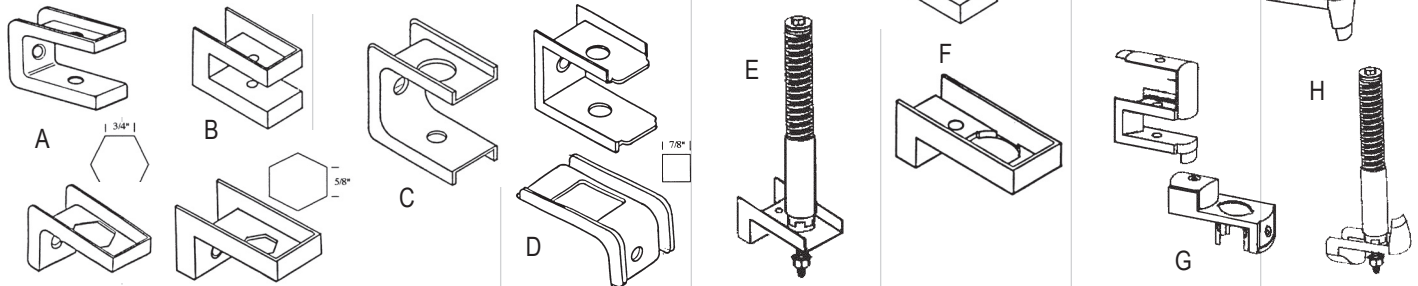
RH-IN or LH-OUT 50200308
LH-IN or RH-OUT 50200309



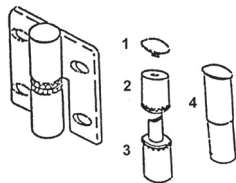
DOOR INSERTS FOR 1" DOORS

TYPE	TOP INSERT	DIMEN. "A"	DIMEN. "B"	BOTTOM INSERT	DIMEN. "A"	DIMEN. "B"	PIN	PINTLE	CAM
A	50200311	2-5/16"	1-5/8"	50200312	2-1/4"	1-1/8"	50400262	50400293	50400069
B	77001510	2"	1-1/4"	77002900	1-13/16"		50400262	77000012	77462010
C	77011620	2-1/4"	2-1/8"	77011620	2-1/4"	2-1/8"	77011173		77011635
D	77001510	2-1/8"	1-9/16"	77350240	2-1/8"	3/4"	77469574	77260311	77714006
E	77772450	1-57/64"	1-5/8"	50200293	2-57/64"	1"	50200289	N/A	N/A
F	77261500	1-3/4"	5/8"	77261000	1-3/4"	5/8"	50400260	50400293	77269000

TYPE	TOP INSERT	BOTTOM INSERT	PIN	PINTLE	CAM
G	77464640	50400303	50400260	50400293	50400300
H	77774680	50400274	50200289	N/A	N/A

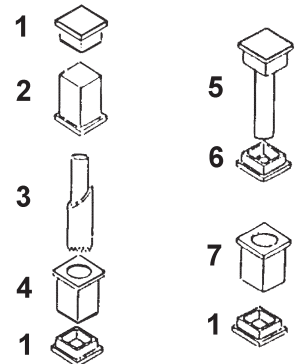
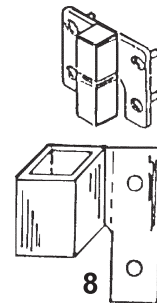


ITEM	PART #	DESCRIPTION
1	77469050	Cap
2	77469052	Female cam
3	77469054	Male cam
4	77469056	Bottom cam
1-4	77469058	Cam assembly



SURFACE MOUNTED HINGE REPAIR PARTS

ITEM	PART #	DESCRIPTION
1	77469002	Cap
2	77469016	Female cam housing
3	77469014	Male cam housing
4	77469012	Cam housing
5	77469008	Male pin
6	77469004	Cap (hole in center)
7	77469006	Male pin housing
8	77469010	S/S wing



HOUSTON
800/392-5066


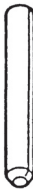








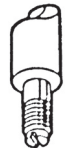


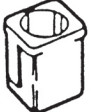
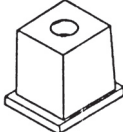


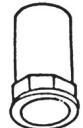

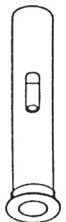
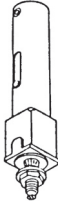

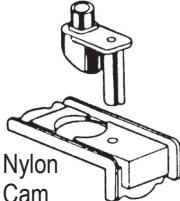





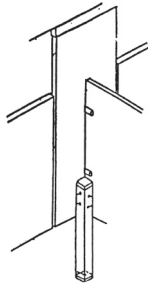
ORLANDO
800/327-3022

GREENVILLE
800/476-2212

LOOK FOR US ON THE WEB AT: www.TMSSouth.com

HARDWARE & TOILET PARTITIONS

DOOR HINGE ACCESSORIES

 <p>1/4" x 2-7/8" Metal 50400260 Plastic 77261516</p>	 <p>3/8" x 2-1/2" Metal 50400252 Plastic 50200289</p>	 <p>3/8" x 3" Metal 50400262</p>	 <p>3/8" x 4-1/4" Steel 77011173</p>	 <p>FITS ACCURATE # 50400255 3/8" x 2-7/8" 12/24 Internal Thread</p>	 <p>FITS AM. SANITARY, FIAT, GENERAL, & GLOBAL 3/8" x 3-5/8" # 50400259</p>
 <p>3/8" x 3" Metal 50400263</p>	 <p>3/8" x 3" Thread Metal 50400227</p>	 <p>7/32" x 3-1/4" Metal (AMPCO) 77469585</p>	 <p>5/8" Diameter 50400293</p>	 <p>1/2" Diameter 50200313</p>	 <p>Cam & Pin assembly 77005000</p>
 <p>For 11/16" Pintle 77714006</p>	 <p>For 11/16" Pintle 77460232</p>	 <p>7/8" x 1" For 3/4" Pintle 77005001</p>	 <p>Cam Top 77011807 Cam Bottom 77011806</p>	 <p>For 1/2" Pintle 50200314</p>	 <p>For 5/8" Pintle 50400069</p>
 <p>Cam Set 50200315</p>	 <p>Candle Cam for plastic laminated 77269000 (Black) 50400300 (White, uses 50400293 pintle)</p>	 <p>Candle Cam 50400301</p>	 <p>Candle Cam for metal part. 50400300</p>	 <p>Nylon Cam 77630117 Bottom Door Insert 77630114</p>	 <p>Rubber Bumper for strike & keeper Long - 77462012 Short - 77469025</p>
 <p>S/S cover plate Covers latch hole 50400009</p> <p>Conversion kit PART # 77775021</p>	 <p>Spray paint PART # 77469084</p> <p>Touch Up Paint 10 oz. Aerosol spray Almond - 77469080 Tan - 77469082</p>	 <p>Top Hinge bushing 3/8" hole - 77469060 1/4" hole - 77469062</p>	 <p>ITEM PART # DESCRIPTION 1 77775860 Toggle and screw (7777780) 2 77775861 Screw</p>	 <p>Aluminum seat leg. Used to stabilize ceiling hung partitions. PART # 50400065</p>	



**TOTAL
MAINTENANCE
SOLUTIONS**

HOUSTON
800/392-5066

ORLANDO
800/327-3022

GREENVILLE
800/476-2212

LOOK FOR US ON THE WEB AT: www.TMSSouth.com

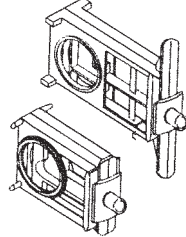
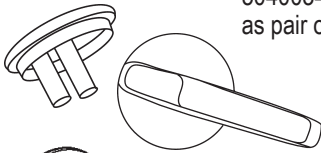
HARDWARE & TOILET PARTITIONS

CONCEALED LATCHES

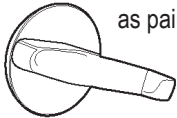
Used with latch housing

SANYMETAL

NEW STYLE
50400342 – Sold
as pair only

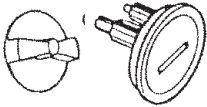


OLD STYLE
50400013 – Sold
as pair only



Latch Housing
- metal partitions
PART # 50200316
Latch Housing
PART # 77466626

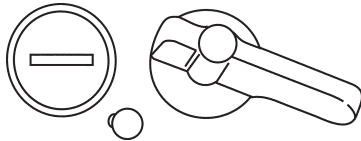
GLOBAL - OTHERS



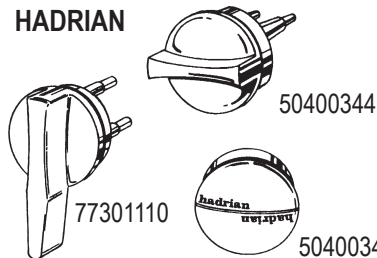
Female - 50400058
Male - 50400059

ADA LATCH SET

Male and Female - 50200294



HADRIAN

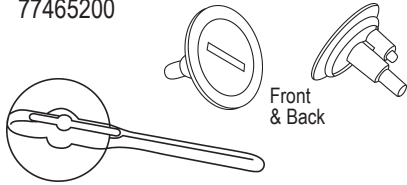


50400344

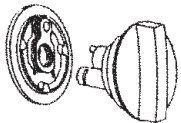


50400343

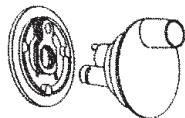
77465200



Front
& Back



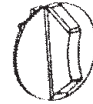
50400018



77466160

ACCURATE

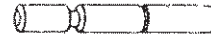
Male
PART #50400022



Female
PART # 77010403



Slide pin
PART # 77010460

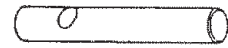


ADA latch



WEIS/ROBART

Door slide bolt PART # 77991043



Recessed latch
PART #
77991040

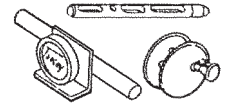
Bolt retaining clip
PART # 77991048



Latch front cover
PART # 77991044

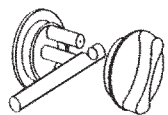
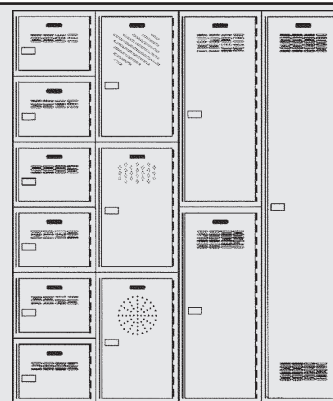
DISCONTINUED LATCHES

Use the following:
Surface mounted latches: 50400000 or 50400001
Cover plates: 2 ea of 50400009 and
Keeper: 50400232 (IS) or 50400236 (OS)

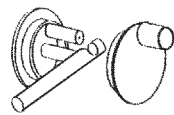


**WE CAN HELP YOU
WITH ALL YOUR
LOCKER ROOM
NEEDS!**

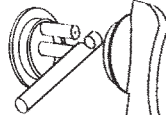
- Locker room benches
- Shower stalls and privacy compartments
- Washroom vanities



50400367

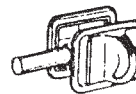


50400014



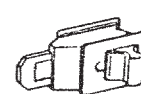
50400023

MILLS



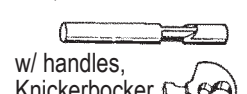
50400012

METPAR

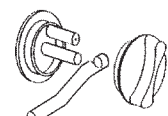


50400015

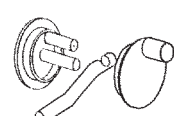
Latch, Latch Bar & Cam



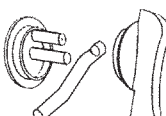
w/ handles,
Knickerbocker
77262020



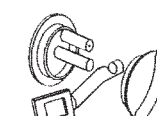
50200317



77466190



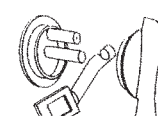
77468190



50400016



77466090



77468090



**TOTAL
MAINTENANCE
SOLUTIONS**

HOUSTON
800/392-5066

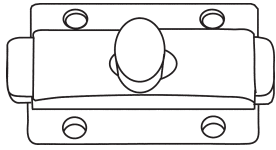
ORLANDO
800/327-3022

GREENVILLE
800/476-2212

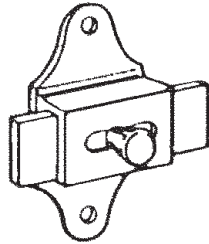
LOOK FOR US ON THE WEB AT: www.TMSSouth.com

HARDWARE & TOILET PARTITIONS

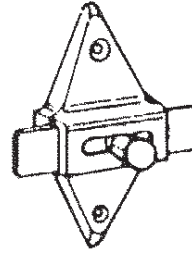
SURFACE MOUNTED SLIDE LATCHES



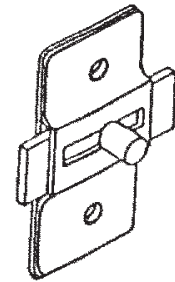
1-3/4" between screws, 4-hole
PART # 50200243



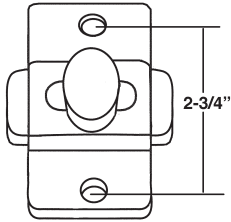
2-5/8" between screws
PART # 50400005



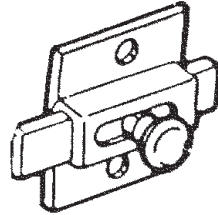
2-3/4" between screws
PART # 50400045



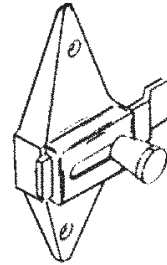
1-7/8" between screws
Stainless Steel
PART # 50400007



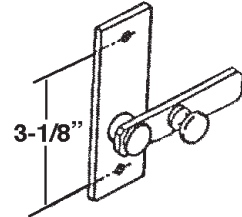
2-3/4" between screws, 2-hole
PART # 50200240 (ZAMAK)
PART # 50200242
(BRUSHED ALUMINUM)



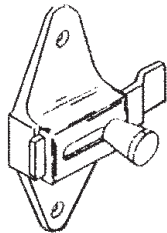
1-7/8" between screws
PART # 50400006



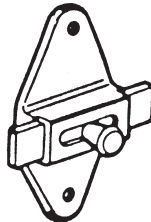
2-3/4" between screws
PART # 50400004



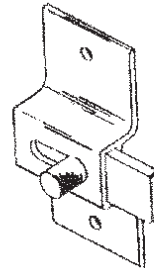
Throw Latch
50400002



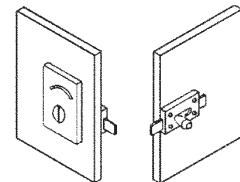
3-1/2" between screws
PART # 50400003



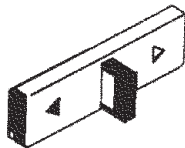
3-1/2" between screws
PART # 50400001



3-1/2" between screws
Aluminum
PART # 50400338



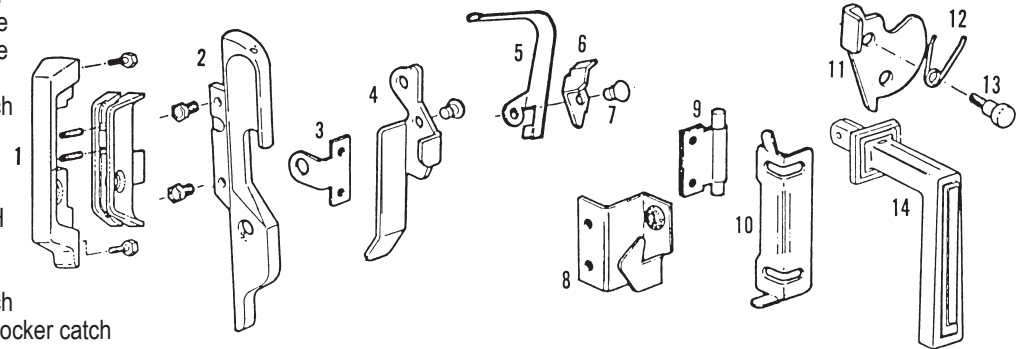
Indicator (Vacant/ Engaged)
latches are available.
Call with your requirements.



Bobrick Universal Slide Latch
RH/LH
PART # 50400064

ALL STEEL

ITEM	PART #	DESCRIPTION
1	82751000	2 - piece handle
2	82751002	1 - piece handle
3	82751004	Padlock eye
4	82751006	Box locker catch
5	82751008	Latch spring
6	82751010	Catch
7	82751012	Shoulder rivet
8	82751014	Door jamb - RH
9	82751016	Hinge
10	82751018	Hinge clip
11	82751020	Box locker catch
12	82751022	Spring for box locker catch
13	82751024	Shoulder bolt



**TOTAL
MAINTENANCE
SOLUTIONS**

HOUSTON
800/392-5066

ORLANDO
800/327-3022

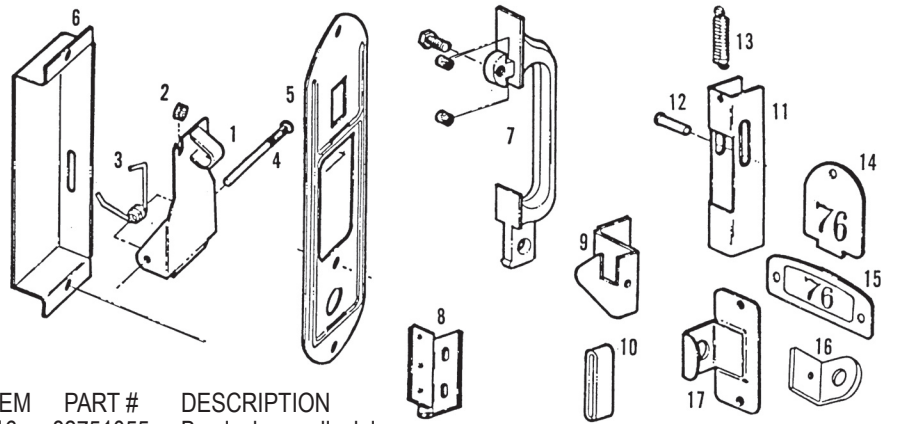
GREENVILLE
800/476-2212

LOOK FOR US ON THE WEB AT: www.TMSSouth.com

HARDWARE & TOILET PARTITIONS

AURORA STEEL

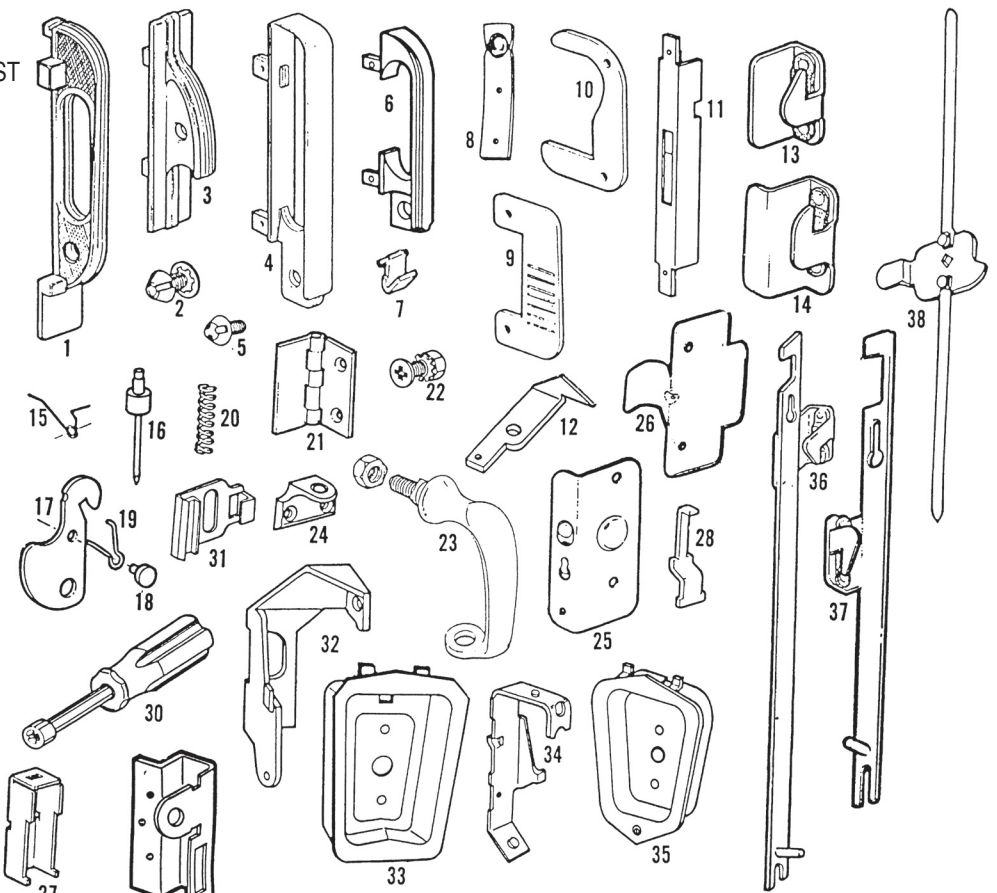
ITEM	PART #	DESCRIPTION
1	82751030	Lifter w/padlock loop
2	82751032	Bumper for lifter
3	82751034	Lifter spring
4	82751036	Lifter pin
5	82751038	Face plate
6	82751040	Lifter cover
7	82751042	Grip type handle
8	82751044	Hinge
9	82751046	Door jamb
10	82751048	Bumper for door jamb
11	82751050	Latch for locking bar
12	82751052	Latch pin
13	82751054	Coil spring for locking bar
14	82751056	Number plate for handle
15	82751051	Number plate for door



ITEM	PART #	DESCRIPTION
16	82751055	Box locker padlock loop
17	82751057	Box locker door pull

INTERIOR

ITEM	PART #	DESCRIPTION
1	82751060	Locker handle
2	82751062	Screw 8-32 x 3/8" ST
3	82751064	Locker handle
4	82751066	Locker handle
5	82751068	Screw 8-32 x 5/16"
6	82751070	Locker handle
7	82751072	Latch finger
8	82751074	Spring
9	82751076	Lift
10	82751078	Lift
11	82751080	Upper locking bar assembly
12	82751082	Interior latch - top & bottom
13	82751084	Door jamb - RH
	82751086	Door jamb - LH
14	82751088	Door jamb - RH
	82751090	Door jamb - LH
15	82751092	Spring
16	82751094	Latch bar bumper
17	82751096	Box locker latch
18	82751098	Stud
19	82752000	Spring
20	82752002	Coiled spring
21	82752004	Hinge
22	82752006	Nut
23	82752008	Expanded metal lock handle
24	82752010	Keeper
25	87572012	Box locker friction catch
26	82752014	Box locker pull
27	82752016	Latch assembly
28	82752018	Nylon latch finger
	82752020	Metal latch finger
29	82752024	Padlock clip & lock catch - RH
	82752026	Padlock clip & lock catch - LH
30	82752028	Wrench
31	82752030	Nylon retainer clip
32	82752032	Recess lift
33	82752034	Recess handle



34	82752036	Recess lift
35	82752038	Recess handle
36	82757000	Latch for 2 - person locker - LH
37	82757002	Latch for 2 - person locker - RH
38	82757004	Lock bar for single tier - 60"
	82757006	Lock bar for single tier - 72"
	82757008	Lock bar for double tier - 30"
	82757010	Lock bar for double tier - 36"



**TOTAL
MAINTENANCE
SOLUTIONS**

HOUSTON
800/392-5066

ORLANDO
800/327-3022

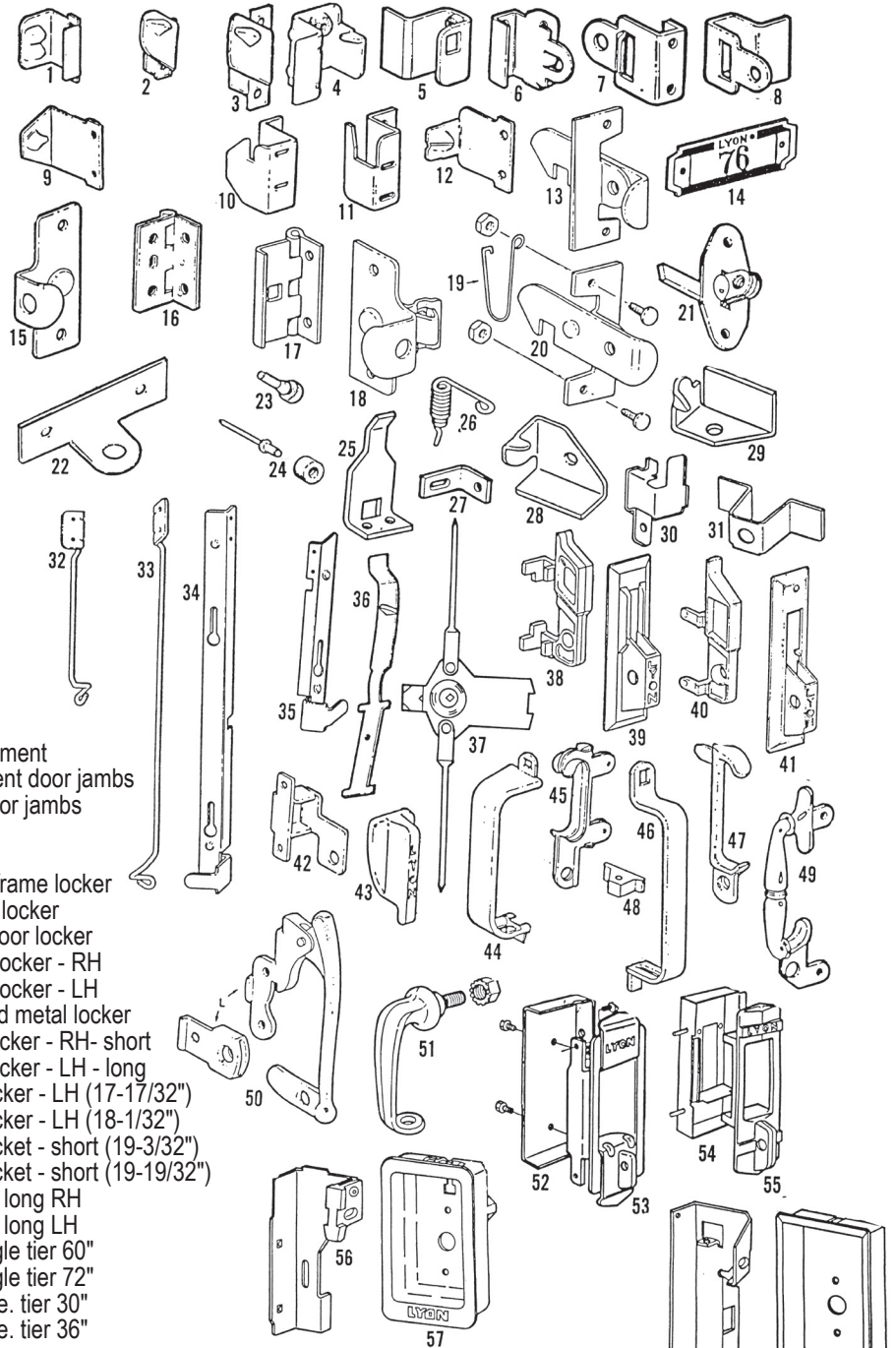
GREENVILLE
800/476-2212

LOOK FOR US ON THE WEB AT: www.TMSSouth.com

HARDWARE & TOILET PARTITIONS

LYON

ITEM	PART #	DESCRIPTION
1	82752040	Door jamb
2	82752042	Door jamb - RH
	82752044	Door jamb - LH
3	82752046	Door jamb - RH
	82752048	Door jamb - LH
4	82752050	Door jamb
5	82752052	Door jamb - RH
	82752054	Door jamb - LH
6	82752056	Door jamb
7	82752058	Door jamb
8	82752060	Door jamb
9	82752062	Door jamb
10	82752064	Door jamb - RH
	82752066	Door jamb - LH
11	82752068	Door jamb
12	82752070	Door jamb
13	82752072	Gravity latch
14		Number plate
15	82752076	Box locker pull
16	82752078	Hinge
17	82752079	Hinge (used 1935-1953)
18	82752080	Roll point catch
19	82752082	Spring for S.A. latch
20	82752084	Spring actuated latch
21	82752086	Padlock attachment - RH
	82752088	Padlock attachment - LH
22	82752089	Wire basket padlock attachment
23	82757072	Pull-through bumper - current door jambs
24	82757074	Bumper w/pop rivet O/S door jambs
25	82757076	Old style lock bar lift finger
26	82757078	Door closer spring
27	82757080	Angle bracket - O/S angle frame locker
28	82757082	Top door jamb - Dble. door locker
29	82757084	Bottom door jamb - Dble. door locker
30	82757086	Lock wire strap - 2 person locker - RH
	82757088	Lock wire strap - 2 person locker - LH
31	82757090	Upper rod guide - expanded metal locker
32	82753026	Wire latch bar - 2 person locker - RH- short
33	82753028	Wire latch bar - 2 person locker - LH - long
34	82757052	O/S latch bar - 2 person locker - LH (17-17/32")
	82757054	O/S latch bar - 2 person locker - LH (18-1/32")
35	82757056	O/S latch bar - 2 person locket - short (19-3/32")
	82757058	O/S latch bar - 2 person locket - short (19-19/32")
36	82757060	Locking bar spring w/rivet - long RH
	82757062	Locking bar spring w/rivet - long LH
37	82757064	Lock rod & cam assy. - single tier 60"
	82757066	Lock rod & cam assy. - single tier 72"
	82757068	Lock rod & cam assy. - Dble. tier 30"
	82757070	Lock rod & cam assy. - Dble. tier 36"
38	82752092	Handle lift - RH
	82752094	Handle lift - LH
39	82752090	Handle housing
40	82752098	Handle lift - RH
	82753000	Handle lift - LH
41	82752096	Handle housing
42	82753004	Handle lift - RH
	82753006	Handle lift - LH
43	82753002	Handle housing
44	82753008	Rolled edge handle guide
45	82753010	Rolled edge handle lift
46	82753012	Flat strap handle guide
47	82753014	Flat strap handle lift



48	82757050	Bumper for rolled edge handle guide
49	82753024	Durand No. 6 handle
50	82753020	3 - piece cast brass handle
51	82753022	Expanded metal locker handle
52	82753018	Cover plate for SM handle
53	82753016	Sheetmetal handle
56	82753030	Recess lift
57	82753032	Recess handle
58	82753034	Recess lift
59	82753036	Recess handle



**TOTAL
MAINTENANCE
SOLUTIONS**

HOUSTON
800/392-5066

ORLANDO
800/327-3022

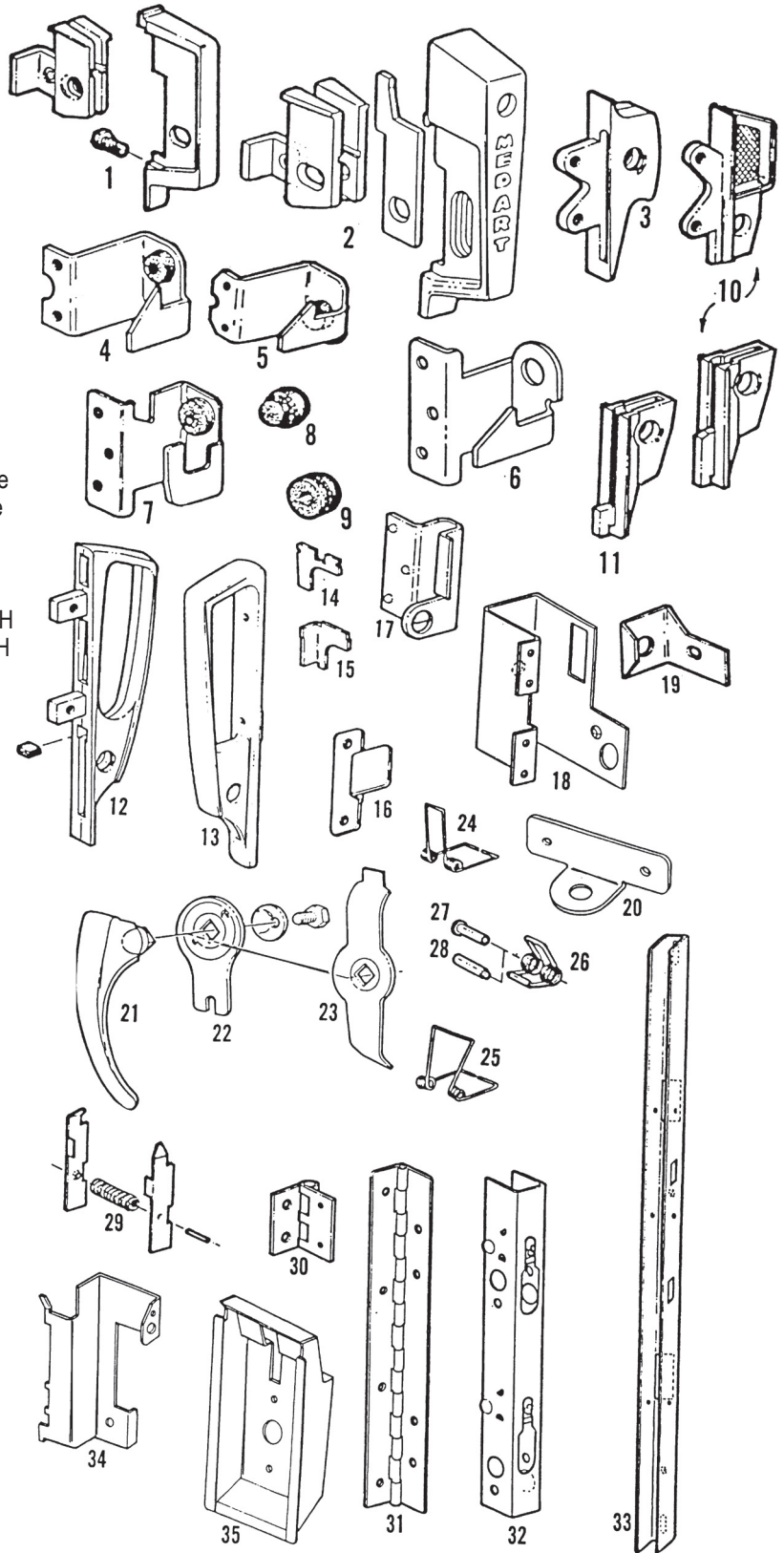
GREENVILLE
800/476-2212

LOOK FOR US ON THE WEB AT: www.TMSSouth.com

HARDWARE & TOILET PARTITIONS

MEDART

ITEM	PART #	DESCRIPTION
1	82753040	Locker handle assy. - RH
	82753042	Locker handle assy. - LH
2	82753044	Locker handle assy. RH
	82753045	Locker handle assy. LH
3	82753046	Locker handle
4	82753048	Door stop RH (1958-1961)
	82753049	Door stop LH (1958-1961)
5	82753050	Door stop RH (1961-current)
	82753051	Door stop LH (1961-current)
6	82753052	Door stop RH (1954-1958)
	82753053	Door stop LH (1954-1958)
7	82753054	Door stop RH (1945-1954)
	82753055	Door stop LH (1945-1954)
8	82753072	Door stop bumper - small
9	82753074	Door stop bumper - large
10	82753084	Standard 2-piece kick proof handle
11	82753086	Modified 2-piece kick proof handle
12	82753066	Locker handle
13	82753068	Locker handle
14	82753088	Padlock hasp for item 3
15	82753089	Padlock hasp for item 12 & 13 - RH
	82753090	Padlock hasp for item 12 & 13 - LH
16	82753076	Lockrod lift
17	82753078	Box locker catch - old style
18	82753080	Box locker catch - new style
19	82753082	Finger pull for item 18
20	82754012	Basket rack padlock attachment
21	82754000	Turn type handle
	82753099	Cup washer for handle
	82754001	Bolt for handle
22	82753096	Short flat cam lever
23	82753098	Long flat cam lever
24	82753058	Lockrod spring - old style
25	82753062	Lockrod spring - new style
26	82753061	Roller for lockrod spring
27	82753060	Hollow rivet for lockrod spring
28	82753056	Solid rivet for lockrod spring
29	82754014	Lockrod latch catch assembly
30	82754008	Hinge
31	82754002	Continuous hinge for 2 person locker
32	82754004	Lockrod for upper 2 person locker
33	82754003	Lockrod for 72" single tier
	82754005	Lockrod for 60" single tier
	82754006	Lockrod for 36" double tier
	82754007	Lockrod for 30" double tier
34	82754016	Recess lift - since 1987
35	82754018	Recess handle - since 1987



**TOTAL
MAINTENANCE
SOLUTIONS**

HOUSTON
800/392-5066

ORLANDO
800/327-3022

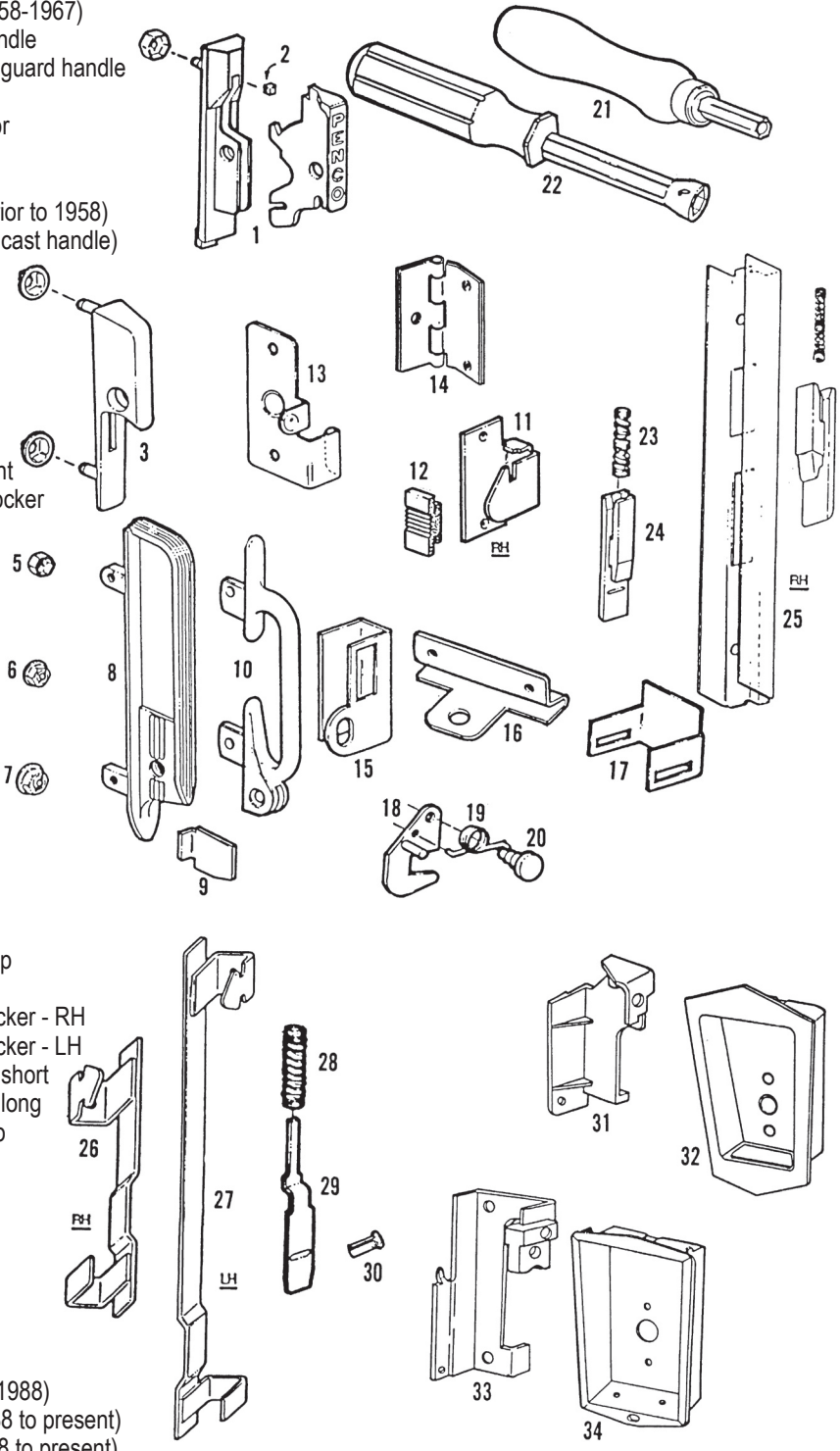
GREENVILLE
800/476-2212

LOOK FOR US ON THE WEB AT: www.TMSSouth.com

HARDWARE & TOILET PARTITIONS

PENCO

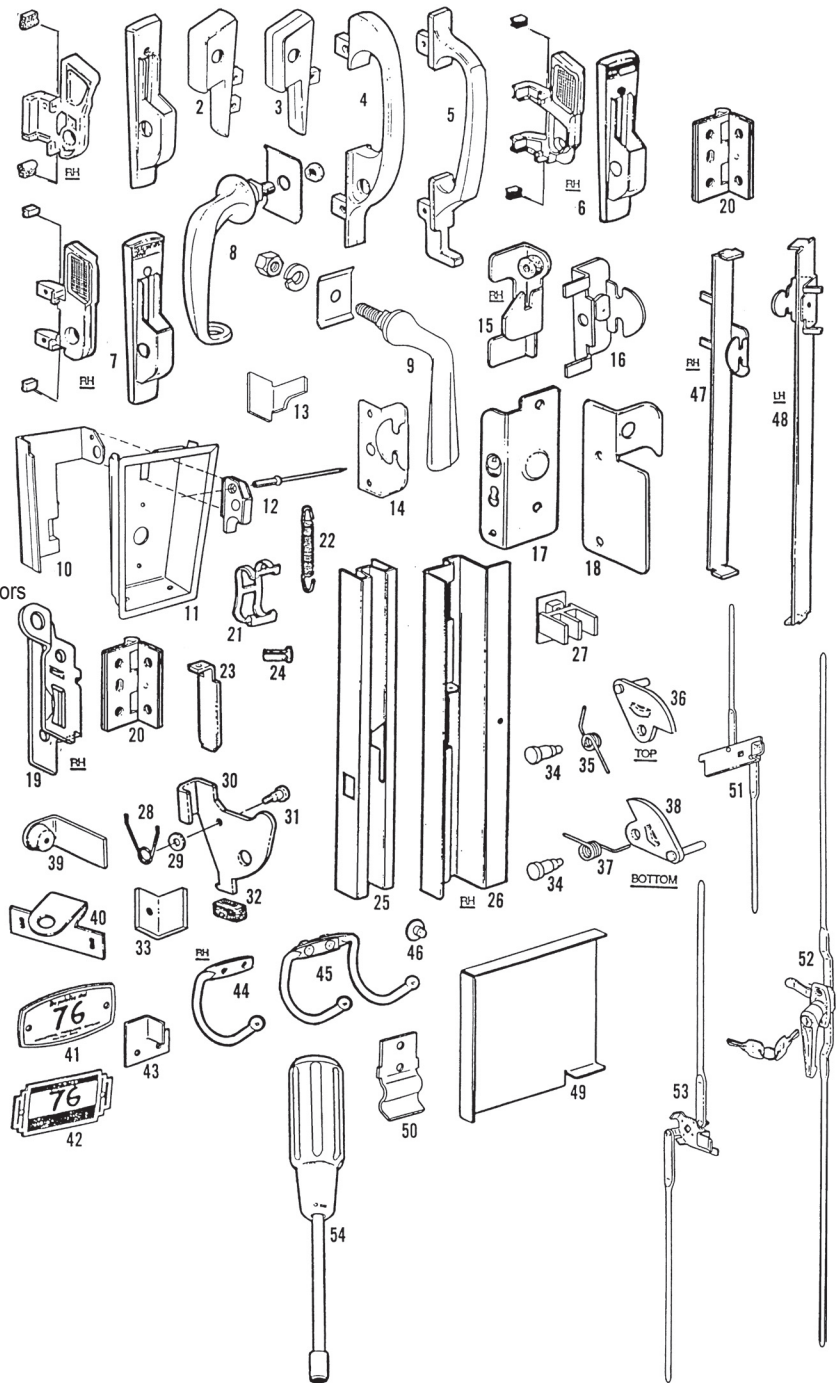
ITEM	PART #	DESCRIPTION
1	82754030	Vanguard 2 – piece handle (used after 1967)
2	82754032	Bumper for Vanguard handle
3	82754034	Finger lift handle 1 – piece (1958-1967)
4	82754036	Padlock staple for finger lift handle
5	82754037	Old style palnut (small) for Vanguard handle (prior to 1972)
6	82754038	New style palnut (med. size) for Vanguard handle (after 1972)
7	82754039	Palnut for finger lift handle
8	82754040	Penn Metal die cast handle (prior to 1958)
9	82754042	Penn Metal padlock hasp (Die cast handle)
10	82754044	Penn Metal cast brass handle
11	82754046	Door jamb – RH
	82754047	Door jamb – LH
12	82754048	Bumper for door jamb
13	82754050	Box locker door pull
14	82754052	Hinge
15	82754054	Box locker padlock
16	82754056	Basket rack padlock attachment
17	82754058	Replacement clip – 2 person locker (guide for latch bar)
18	82754059	Cam for double door locker – upper
	82754060	Cam for double door locker – lower
19	82754061	Spring for double door locker – upper
	82754062	Spring for double door locker – lower
20	82754063	Shoulder rivet for double door locker
21	82754064	Palnut tool – old style (used prior to 1972)
22	82754066	Palnut tool – new style (used after 1972)
23	82754067	Coiled spring for nylon latch clip
24	82754068	Nylon latch clip for lock bar
25	82754070	Lock bar for upper 2 person locker - RH
	82754071	Lock bar for upper 2 person locker - LH
26	82754072	Latch bar for 2 person locker - short
27	82754074	Latch bar for 2 person locker - long
28	82754076	Coiled spring for steel latch clip
29	82754078	Steel latch clip for lock bar (1958-1967)
30	82754080	Spiral pin for lock bar (used after 1967)
31	82754082	Lift for recessed cup - RH (before 1988)
	82754084	Lift for recessed cup - LH (before 1988)
32	82754086	Recessed handle cup (before 1988)
33	82754088	Lift for recessed cup - RH (1988 to present)
	82754090	Lift for recessed cup - LH (1988 to present)
34	82754092	Recessed handle cup (1988 to present)



HARDWARE & TOILET PARTITIONS

REPUBLIC STEEL

ITEM	PART #	DESCRIPTION
1	82755030	Low decibel locker handle assy. - RH
	82755031	Low decibel locker handle assy. - LH
2	82755032	No. 10 locker handle (used 1960 to 1962)
3	82755034	No. 9 locker handle (used 1959 to 1960)
4	82755036	No. 8 locker handle (used 1936 to 1959)
5	82755038	No. 6 locker handle (used 1934 to 1936)
6	82755040	No. 12 locker handle assy. - RH (used 1965 - current)
	82755041	No. 12 locker handle assy. - LH (used 1965 - current)
	82755042	Lift only - RH
	82755043	Lift only - LH
	82755044	Case only
7	82755046	No. 11 locker handle assy. - RH (used 1962 - 1965)
	82755047	No. 11 locker handle assy. - LH (used 1962 - 1965)
	82755048	Lift only - RH
	82755049	Lift only - LH
	82755050	Case only
8	82755052	Expanded metal locker handle
9	82755054	Old style handle for swinging shelving doors
10	82755056	Recessed handle slide plate - RH
	82755057	Recessed handle slide plate - LH
11	82755058	Recessed handle case
12	82755059	Black plastic handle w/rievet
13	82755060	Padlock stop for No. 8, 9 & 10 handle
14	82755062	Door jamb
15	82755063	Old style door jamb - RH
	82755064	Old style door jamb - LH
16	82755065	Door jamb for 2 person locker latch bar
17	82755066	Box locker friction catch
18	82755068	Box locker escutcheon plate
19	82755070	Box locker door jamb - RH
20	82755072	Hinge
21	82755074	Spring latch for lock bar
22	82755076	Lock bar latch finger spring
23	82755078	Lock bar latch finger
24	82755080	Tube rivet for lock bar
25	82755082	Current lock bar for upper 2 person locker door
26	82755084	Old style lock bar for upper 2 person locker door - RH
	82755085	Old style lock bar for upper 2 person locker door - LH
27	82755086	Plastic guide for O/S low dec./mondrain lock bar
28	82755088	1 - point latch spring
29	82755090	1 - point latch washer
30	82755091	1 - point latch handle
31	82755092	1 - point latch stud
32	82755093	1 - point latch bumper
33	82755094	1 - point latch attachment bracket
34	82755096	Stud for double door locker cam
35	82755098	Top spring for double door locker cam
36	82756000	Top cam for double door locker
37	82756002	Bottom spring for double door locker cam
38	82756004	Bottom cam for double door locker
39	82756006	Frame bumper for double door locker
40	82756008	Padlock clip for basket rack
41	82756010	Current number plate
42	82756012	Old style number plate
43	82756014	Coat rod bracket for single prong wall
44	82756016	Single prong wall hook - RH
	82756020	Single prong wall hook - LH
45	82756022	Double prong wall hook
46	82756024	Round head shoulder rivet O/S latch bar
47	82756026	Latch bar for 2 person locker - short



ITEM	PART #	DESCRIPTION
48	82756028	Latch bar for 2 person locker - long
49	82756030	Corner recess trim cap (3" SQ.) - unpainted
50	82756032	Trim clip for recessed trim
51	82756034	Expanded metal lock bar assy. 72" single tier
	82756035	Expanded metal lock bar assy. 60" single tier
	82756036	Expanded metal lock bar assy. 36" double tier
	82756037	Expanded metal lock bar assy. 30" double tier
52	82756038	Lock bar & handle assy. O/S storage cabinet
53	82756040	Cam & lock bar assy. O/S swinging shelving doors (rods to be cut to proper length)
54	82756042	Gulmite wrench



**TOTAL
MAINTENANCE
SOLUTIONS**

HOUSTON
800/392-5066

ORLANDO
800/327-3022

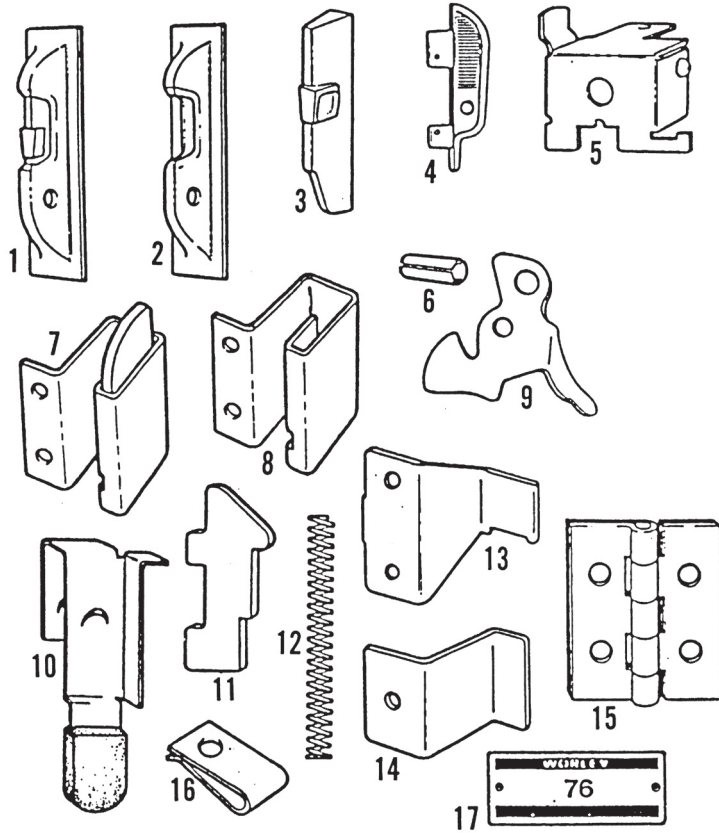
GREENVILLE
800/476-2212

LOOK FOR US ON THE WEB AT: www.TMSSouth.com

HARDWARE & TOILET PARTITIONS

WORLEY

ITEM	PART #	DESCRIPTION
1	82756050	Automatic locker handle
2	82756052	Handle case only
3	82756054	Handle slide only
4	82756056	1 - piece handle
5	82756058	Handle - bumper box assembly
6	82756060	Roll pin for handle
7	82756062	Automatic jamb assembly
8	82756064	Housing for jamb
9	82756066	Handle for gravity latch
10	82756068	Clip for jamb
11	82756070	Plunger for jamb - steel
	82756072	Plunger for jamb - plastic
12	82756074	Coil spring for jamb
13	82756076	Jamb for gravity latch
14	82756078	Door stop for gravity latch
15	82756080	Hinge
16	82756082	Clip for locking channel
17	82756084	Number plate



SPECIALTY GRAB BARS

Angle bar
left hand

80778002 Right hand
80778004 Left hand

80778008
Tub corner bar

80778014
Urinal bar

80778016
Closet bar

80778018
Closet bar

STAINLESS STEEL GRAB BARS WITH SANIGUARD®

- 24" Stainless Steel Grab Bar, 1-1/2" OD
Part # 50250003
- 32" Stainless Steel Grab Bar, 1-1/2" OD
Part # 50250005
- 36" Stainless Steel Grab Bar, 1-1/2" OD
Part # 50250006



SANIGUARD
ANTIMICROBIAL

NEED A QUOTE ON LOCKERS?
Give us a call for all types of lockers (metal, phenolic, plastic)



TOTAL MAINTENANCE SOLUTIONS

HOUSTON
800/392-5066

ORLANDO
800/327-3022

GREENVILLE
800/476-2212

LOOK FOR US ON THE WEB AT: www.TMSSouth.com

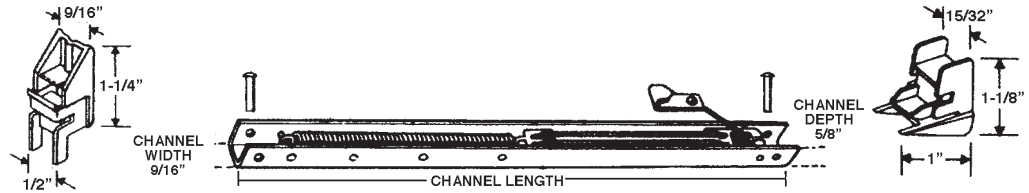
HARDWARE & TOILET PARTITIONS

60 SERIES CHANNEL BALANCES

1/2" channel balance
(actually 5/8" but considered
1/2" in the trade)

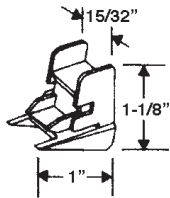
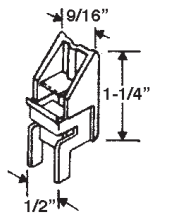
ORDERING INFORMATION

1. Measure metal channel balance length (do not include plastic ends).
2. Check number stamped on channel: e.g., 2010, 28A, 3620, etc.
3. Select our corresponding part number from the chart
4. Balances stamped with a 3-digit number (e.g., 122, 183, 143) or a 2-digit number (e.g., 15, 18, 19 will require you to contact your sales representative for more information, such as exact channel length, type of ends attached, etc.



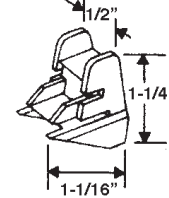
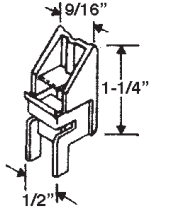
POPULAR COMBINATIONS

PART # 50605070 TOP



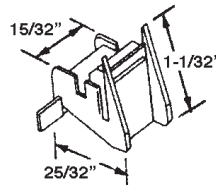
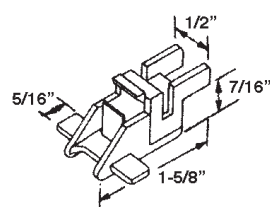
PART # 50605010 BOTTOM

PART # 50605070 TOP



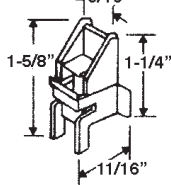
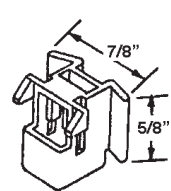
PART # 50605020 BOTTOM

PART # 50605640 TOP



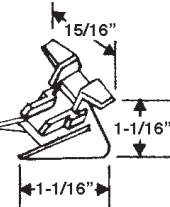
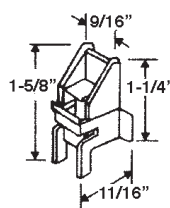
PART # 50605655 BOTTOM

PART # 50605910 TOP



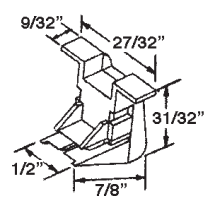
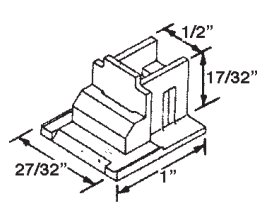
PART # 50605900 BOTTOM

PART # 50605080 TOP



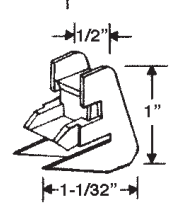
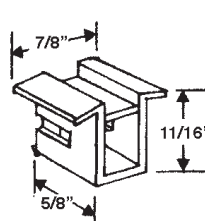
PART # 50605030 BOTTOM

PART # 50605950 TOP



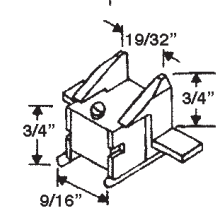
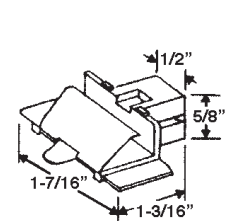
PART # 50605960 BOTTOM

PART # 50605950 TOP



PART # 50605960 BOTTOM

PART # 50605950 TOP



PART # 50605960 BOTTOM



**TOTAL
MAINTENANCE
SOLUTIONS**

HOUSTON
800/392-5066

ORLANDO
800/327-3022

GREENVILLE
800/476-2212

LOOK FOR US ON THE WEB AT: www.TMSSouth.com

HARDWARE & TOILET PARTITIONS

60 SERIES 1/2" WINDOW BALANCE CHART

**TO ORDER A 24" WINDOW BALANCE STAMPED 2330
SPECIFY
TMS # (50602330)
BALANCE TOP END TMS # (50605070)
BALANCE BOTTOM END TMS # (50605010)**



1/2" wide

SEE ENDS ON PAGE 5-21

LENGTH	TMS PART #	NUMBER STAMPED ON BALANCE	TMS PART #	NUMBER STAMPED ON BALANCE	TMS PART #	NUMBER STAMPED ON BALANCE	TMS PART #	NUMBER STAMPED ON BALANCE	TMS PART #	NUMBER STAMPED ON BALANCE
13"	50601210	1210	50601220	1220	50601230	1230	50601240	1240	—	—
14"	50601310	1310	50601320	1320	50601330	1330	50601340	1340	—	—
15"	50601410	1410	50601420	1420	50601430	1430	50601440	1440	—	—
16"	50601510	1510	50601520	1520	50601530	1530	50601540	1540	—	—
17"	50601610	1610	50601620	1620	50601630	1630	50601640	1640	—	—
18"	50601710	1710	50601720	1720	50601730	1730	50601740	1740	—	—
19"	50601810	1810	50601820	1820	50601830	1830	50601840	1840	—	—
20"	50601910	1910	50601920	1920	50601930	1820	50601940	1940	—	—
21"	50602010	2010	50602020	2020	50602030	2030	50602040	2040	—	—
22"	50602110	2110	50602120	2120	50602130	2130	50602140	2140	—	—
23"	50602210	2210	50602220	2220	50602230	2230	50602240	2240	—	—
24"	50602310	2310	50602320	2320	50602330	2330	50602340	2340	—	—
25"	50602410	2410	50602420	2420	50602430	2430	50602440	2440	—	—
26"	50602510	2510	50602520	2520	50602530	2530	50602540	2540	—	—
27"	50602610	2610	50602620	2620	50602630	2630	50602640	2640	—	—
28"	50602710	2710	50602720	2720	50602730	2730	50602740	2740	—	—
29"	50602810	2810	50602820	2820	50602830	2830	50602840	2840	50602850	2850
30"	50602910	2910	50602920	2920	50602930	2930	50602940	2940	50602950	2950
31"	50603010	3010	50603020	3020	50603030	3030	50603040	3040	50603050	3050
32"	50603110	3110	50603120	3120	50603130	3130	50603140	3140	50603150	3150
33"	50603210	3210	50603220	3220	50603230	3230	50603240	3240	50603250	3250
34"	50603310	3310	50603320	3320	50603330	3330	50603340	3340	50603350	3350
35"	50603410	3410	50603420	3420	50603430	3430	50603440	3440	50603450	3450
36"	50603510	3510	50603520	3520	50603530	3530	50603540	3540	50603550	3550



**TOTAL
MAINTENANCE
SOLUTIONS**

HOUSTON
800/392-5066

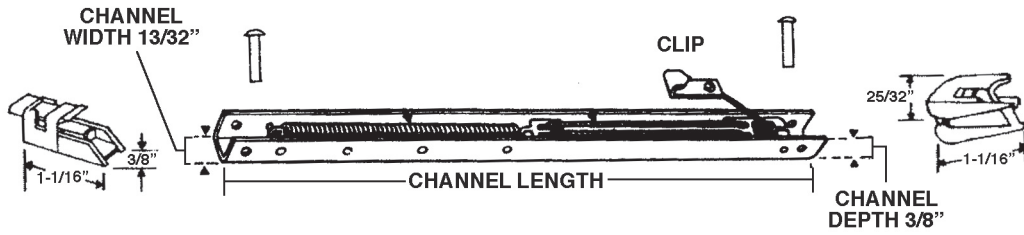
ORLANDO
800/327-3022

GREENVILLE
800/476-2212

LOOK FOR US ON THE WEB AT: www.TMSSouth.com

HARDWARE & TOILET PARTITIONS

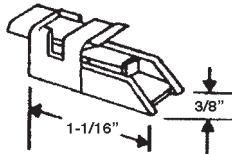
64 SERIES 3/8" CHANNEL BALANCES



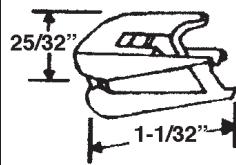
ORDERING INFORMATION

1. Measure metal channel balance length (do not include plastic ends).
2. Check number stamped on channel: eg., 19A, 22B, 28C, etc.
3. Select our corresponding part number from the chart (next page).
4. To identify the top and bottom ends to be attached see illustrations below..

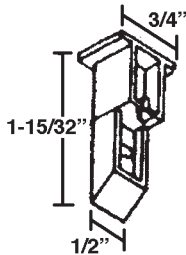
TOP BRACKET
PART # 50645000



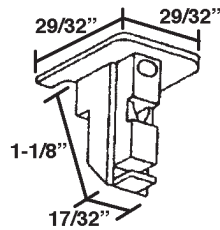
TOP BRACKET
PART # 50645010



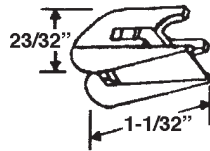
SASH GUIDE
PART # 50646000



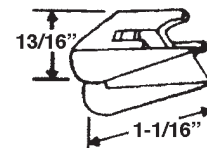
BOTTOM BRACKET
PART # 50646010



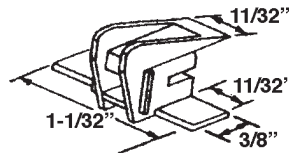
BOTTOM BRACKET
PART # 50645020



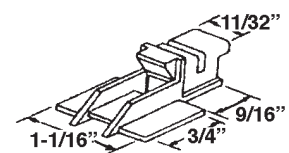
BOTTOM BRACKET
PART # 50645030



BOTTOM BRACKET
PART # 50645050



BOTTOM BRACKET
PART # 50645060



HARDWARE & TOILET PARTITIONS

64 SERIES 3/8" WINDOW BALANCES



TO ORDER A 24" WINDOW BALANCE STAMPED 23C
SPECIFY
TMS # (50642330)
BALANCE TOP END TMS # (50645020)
BALANCE BOTTOM END TMS # (50645030)

LENGTH	TMS #	NUMBER STAMPED ON BALANCE	TMS #	NUMBER STAMPED ON BALANCE	TMS #	NUMBER STAMPED ON BALANCE
10"	50640910	9A	50649200	9B	506409300	9C
11"	50641010	10A	50641020	10B	50641030	10C
12"	50641110	11A	50641120	11B	50641130	11C
13"	50641210	12A	50641220	12B	50641230	12C
14"	50641310	13A	50641320	13B	50641330	13C
15"	50641410	14A	50641420	14B	50641430	14C
16"	50641510	15A	50641520	15B	50641530	15C
17"	50641610	16A	50641620	16B	50641630	16C
18"	50641710	17A	50641720	17B	50641730	17C
19"	50641810	18A	50641820	18B	50641830	18C
20"	50641910	19A	50641920	19B	50641930	19C
21"	50642010	20A	50642020	20B	50642030	20C
22"	50642110	21A	50642120	21B	50642130	21C
23"	50642210	22A	50642220	22B	50642230	22C
24"	50642310	23A	50642320	23B	50642330	23C
25"	50642410	24A	50642420	24B	50642430	24C
26"	50642510	25A	50642520	25B	50642530	25C
27"	50642610	26A	50642620	26B	50642630	26C
28"	50642710	27A	50642720	27B	50642730	27C
29"	50642810	28A	50642820	28B	50642830	28C
30"	50642910	29A	50642920	29B	50642930	29C
31"	50643010	30A	50643020	30B	50643030	30C
32"	50643110	31A	50643120	31B	50643130	31C
33"	50643210	32A	50643220	32B	50643230	32C

SEE ENDS ON
PAGE 5-23



**TOTAL
MAINTENANCE
SOLUTIONS**

HOUSTON
800/392-5066

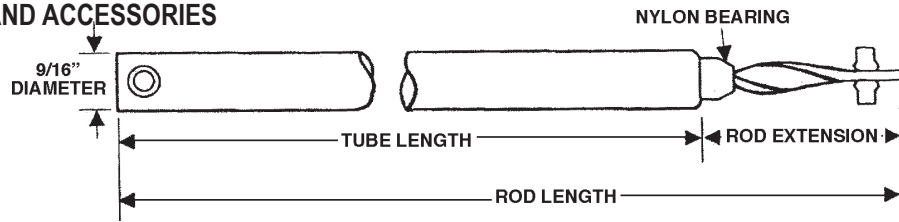
ORLANDO
800/327-3022

GREENVILLE
800/476-2212

LOOK FOR US ON THE WEB AT: www.TMSSouth.com

HARDWARE & TOILET PARTITIONS

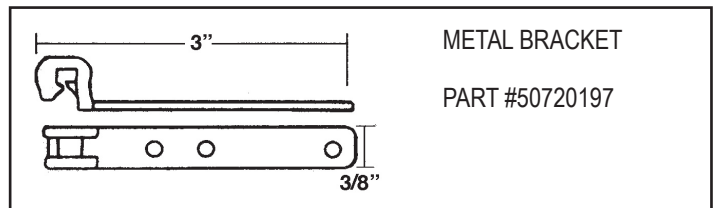
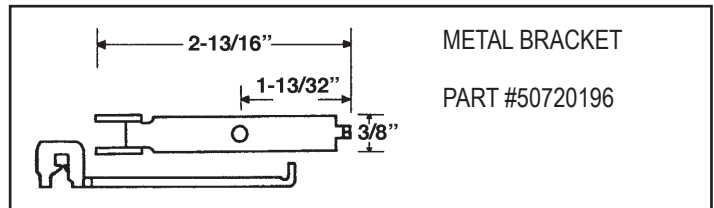
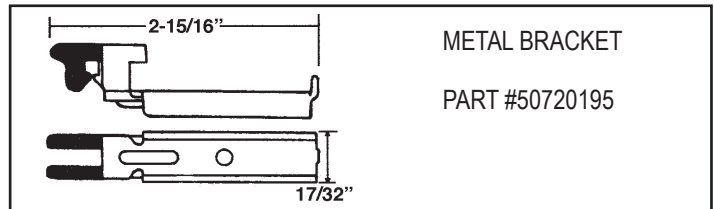
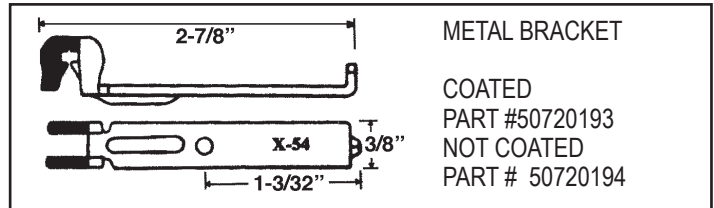
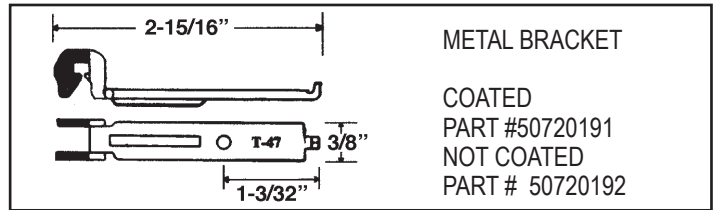
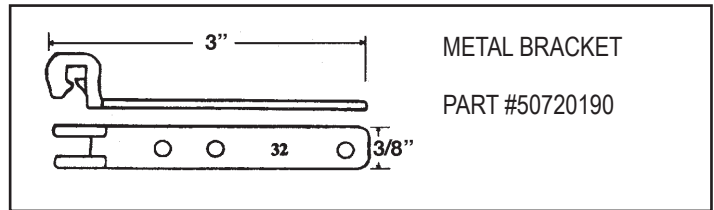
70 SERIES 5/8" TUBE BALANCE AND ACCESSORIES



ORDERING INFORMATION

1. Measure metal tube length. (Do not include nylon bearing).
2. Measure spiral rod length. (Make sure rod is flush with screw hole at end of tube before measuring)
3. Identify the color of the bearing (e.g., black, red or blue) and select our part # from the chart below.
4. Identify the appropriate metal bracket or other related accessories on chart provided below.

	ROD LENGTH	WHITE BEARING	RED BEARING	BLUE BEARING
TUBE LENGTH	A	B	C	D
10"	10-9/16"	50720130	—	—
11"	11-9/16"	50720131	—	—
12"	12-9/16"	50720132	—	—
13"	13-9/16"	50720133	50720134	—
14"	14-9/16"	50720135	50720136	50720137
15"	15-9/16"	50720138	50720139	50720140
16"	16-9/16"	50720141	50720142	50720143
17"	17-9/16"	50720144	50720145	50720146
18"	18-9/16"	50720147	50720148	50720149
19"	19-9/16"	50720150	50720151	50720152
20"	20-9/16"	50720153	50720154	50720155
21"	21-9/16"	50720156	50720157	50720158
22"	22-9/16"	50720159	50720160	50720161
23"	23-9/16"	50720162	50720163	50720164
24"	24-9/16"	50720165	50720166	50720167
25"	25-9/16"	50720168	50720169	50720170
26"	26-9/16"	50720171	50720172	
27"	27-9/16"	50720173	50720174	
28"	28-9/16"	50720175	50720176	
29"	29-9/16"	50720177	50720178	
30"	30-9/16"	50720179	50720180	
31"	31-9/16"	50720181	50720182	
32"	32-9/16"	50720183	50720184	
33"	33-9/16"	50720185		
34"	34-9/16"	50720186		
35"	35-9/16"	50720187		
36"	36-9/16"	50720188		
37"	37-9/16"	50720189		



HOUSTON
800/392-5066

ORLANDO
800/327-3022

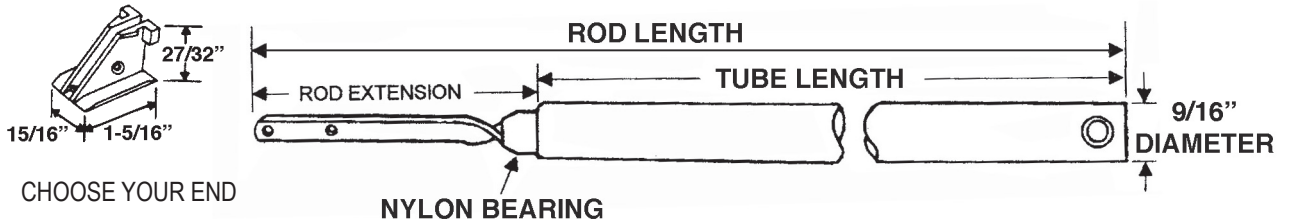
GREENVILLE
800/476-2212

LOOK FOR US ON THE WEB AT: www.TMSSouth.com

HARDWARE & TOILET PARTITIONS

72 SERIES 5/8" TUBE BALANCE AND ACCESSORIES

(Tube diameter 9/16" but considered 5/8" in the trade)



CHOOSE YOUR END

ORDERING INFORMATION

1. Measure metal tube length. (Do not include nylon bearing).
2. Measure spiral rod length. (Make sure rod is flush with screw hole at end of tube before measuring)
3. Identify the color of the bearing (e.g., white or red) and select our part # from the chart below.
4. Identify the appropriate carrier or other related accessories on chart provided below.

	ROD LENGTH	WHITE BEARING	RED BEARING
TUBE LENGTH	A	B	C
10"	11-5/8"	50720001	—
11"	12-5/8"	50720002	—
12"	13-5/8"	50720003	50720004
13"	14-5/8"	50720005	50720006
14"	15-5/8"	50720007	50720008
15"	16-5/8"	50720009	50720010
16"	17-5/8"	50720011	50720012
17"	18-5/8"	50720013	50720014
18"	19-5/8"	50720015	50720016
19"	20-5/8"	50720017	50720018
20"	21-5/8"	50720019	50720020
21"	22-5/8"	50720021	50720022
22"	23-5/8"	50720023	50720024
23"	24-5/8"	50720025	50720026
24"	25-5/8"	50720027	50720028
25"	26-5/8"	50720029	50720030
26"	27-5/8"	50720031	50720032
27"	28-5/8"	50720033	50720034
28"	29-5/8"	50720035	50720036
29"	30-5/8"	50720037	50720038
30"	31-5/8"	50720039	50720040
31"	32-5/8"	50720041	50720042
32"	33-5/8"	50720043	50720044
33"	34-5/8"	50720045	50720046

CARRIER

WHITE
PART # 50720047

BLACK
PART # 50720048

TOP SASH GUIDE

PART # 50720049

LOWER SASH CLIP

PART # 50720050

SASH CLIPS

OPPOSITE
PART # 50720051

BLACK
PART # 50720052

SASH CLIP

PART # 50720053

SASH CLIP

PART # 50720054

SASH CLIP

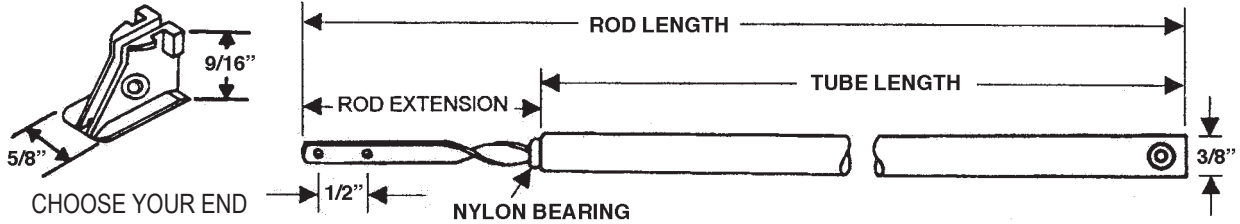
PART # 50720055

SASH CLIP

PART # 50720056

HARDWARE & TOILET PARTITIONS

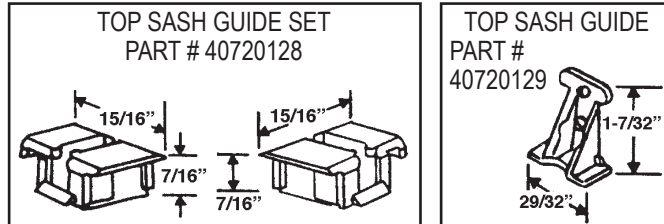
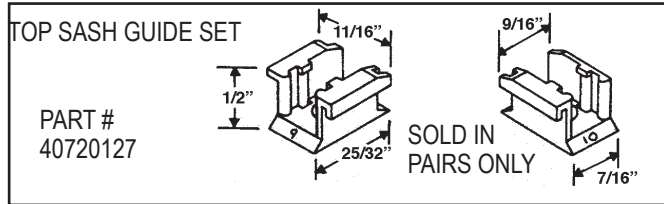
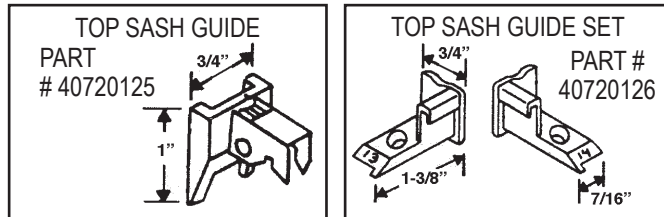
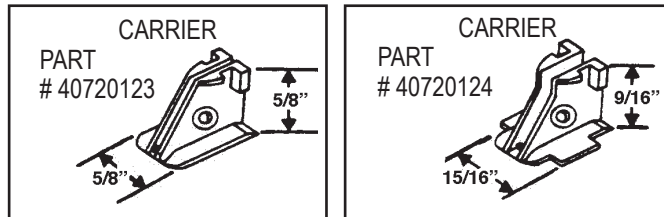
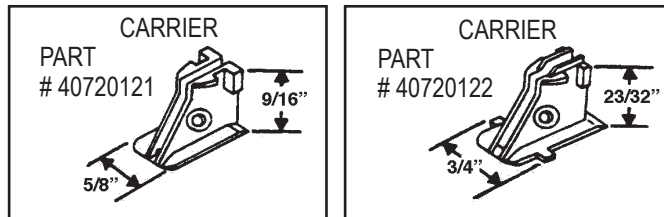
74 SERIES 3/8" TUBE BALANCE AND ACCESSORIES



ORDERING INFORMATION

1. Measure metal tube length. (Do not include nylon bearing).
2. Measure spiral rod length. (Make sure rod is flush with screw hole at end of tube before measuring)
3. Identify the color of the bearing (e.g., white, red or blue) and select our part # from the chart below.
4. Identify the appropriate carrier or other related accessories on chart provided below.

Note: The difference between the 74 & 75 series is the hole center distance in the spiral rod.



	ROD LENGTH	WHITE BEARING	RED BEARING	BLUE BEARING
TUBE LENGTH	A	B	C	D
10"	11-3/4"	50720057	50720058	—
11"	12-3/4"	50720059	50720060	—
12"	13-3/4"	50720061	50720062	—
13"	14-3/4"	50720063	50720064	50720065
14"	15-3/4"	50720066	50720067	50720068
15"	16-3/4"	50720069	50720070	50720071
16"	17-3/4"	50720072	50720073	50720074
17"	18-3/4"	50720075	50720076	50720077
18"	19-3/4"	50720078	50720079	50720080
19"	20-3/4"	50720081	50720082	50720083
20"	21-3/4"	50720084	50720085	50720086
21"	22-3/4"	50720087	50720088	50720089
22"	23-3/4"	50720090	50720091	50720092
23"	24-3/4"	50720093	50720094	50720095
24"	25-3/4"	50720096	50720097	50720098
25"	26-3/4"	50720099	50720100	50720101
26"	27-3/4"	50720102	50720103	
27"	28-3/4"	50720104	50720105	
28"	29-3/4"	50720106	50720107	
29"	30-3/4"	50720108	50720109	
30"	31-3/4"	50720110	50720111	
31"	32-3/4"	50720112	50720113	
32"	33-3/4"	50720114	50720115	
33"	34-3/4"	50720116		
34"	35-3/4"	50720117		
35"	36-3/4"	50720118		
36"	37-3/4"	50720119		
37"	38-3/4"	50720120		

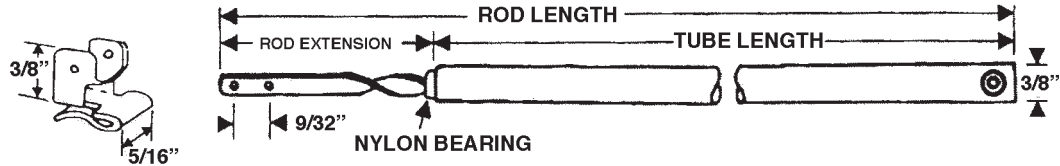


HOUSTON 800/392-5066 ORLANDO 800/327-3022 GREENVILLE 800/476-2212

LOOK FOR US ON THE WEB AT: www.TMSSouth.com

HARDWARE & TOILET PARTITIONS

75 SERIES 3/8" TUBE BALANCE AND ACCESSORIES



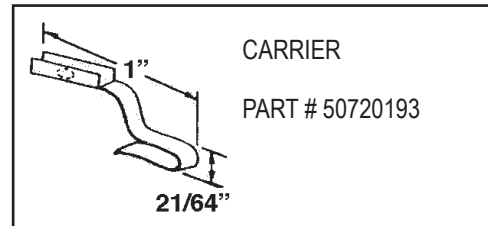
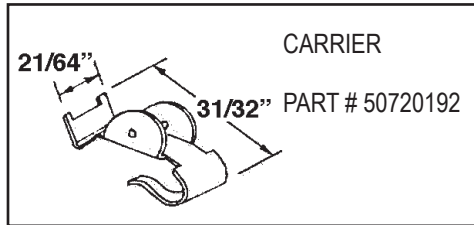
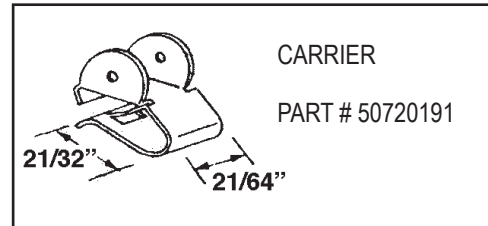
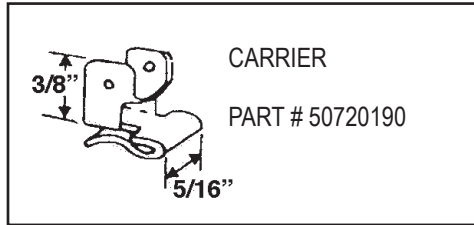
CHOOSE YOUR END

Note: The difference between the 74 & 75 series is the hole center distance in the spiral rod.

ORDERING INFORMATION

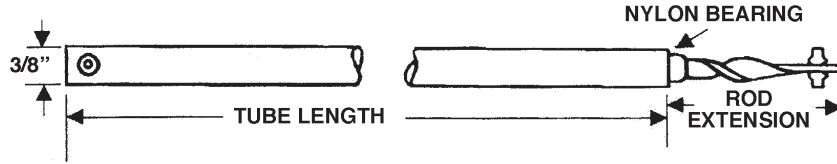
1. Measure metal tube length. (Do not include nylon bearing).
2. Measure spiral rod length. (Make sure rod is flush with screw hole at end of tube before measuring)
3. Identify the color of the bearing (e.g., white, red or blue) and select our part # from the chart below.
4. Identify the appropriate carrier or other related accessories on chart provided below.

	ROD LENGTH	WHITE BEARING	RED BEARING	BLUE BEARING
TUBE LENGTH	A	B	C	D
10"	10-9/16"	50720130	—	—
11"	11-9/16"	50720131	—	—
12"	12-9/16"	50720132	—	—
13"	13-9/16"	50720133	50720134	—
14"	14-9/16"	50720135	50720136	50720137
15"	15-9/16"	50720138	50720139	50720140
16"	16-9/16"	50720141	50720142	50720143
17"	17-9/16"	50720144	50720145	50720146
18"	18-9/16"	50720147	50720148	50720149
19"	19-9/16"	50720150	50720151	50720152
20"	20-9/16"	50720153	50720154	50720155
21"	21-9/16"	50720156	50720157	50720158
22"	22-9/16"	50720159	50720160	50720161
23"	23-9/16"	50720162	50720163	50720164
24"	24-9/16"	50720165	50720166	50720167
25"	25-9/16"	50720168	50720169	50720170
26"	26-9/16"	50720171	50720172	
27"	27-9/16"	50720173	50720174	
28"	28-9/16"	50720175	50720176	
29"	29-9/16"	50720177	50720178	
30"	30-9/16"	50720179	50720180	
31"	31-9/16"	50720181	50720182	
32"	32-9/16"	50720183	50720184	
33"	33-9/16"	50720185		
34"	34-9/16"	50720186		
35"	35-9/16"	50720187		
36"	36-9/16"	50720188		
37"	37-9/16"	50720189		



HARDWARE & TOILET PARTITIONS

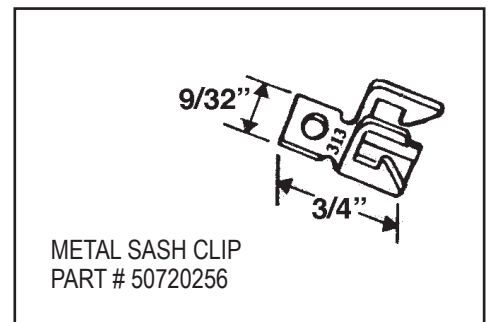
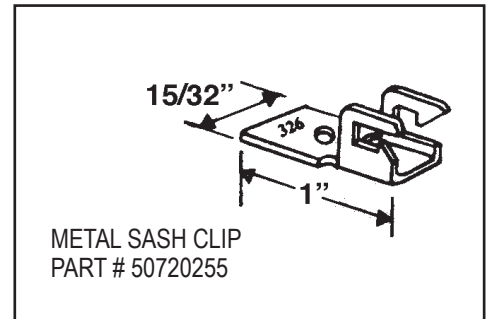
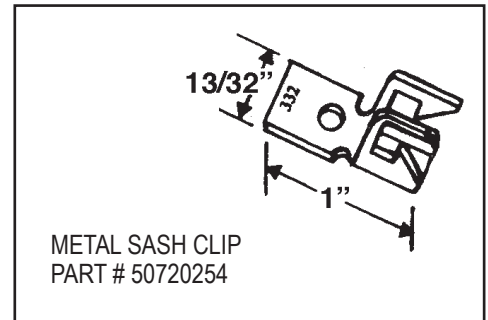
76 SERIES 3/8" TUBE BALANCE



ORDERING INFORMATION

1. Measure metal tube length. (Do not include nylon bearing).
2. Measure spiral rod length. (Make sure rod is flush with screw hole at end of tube before measuring)
3. Identify the color of the bearing (e.g., white, red or blue) and select our part # from the chart below.
4. Identify the appropriate sash clips or other related accessories from illustrations below and at right.

	ROD LENGTH	WHITE BEARING	RED BEARING	BLUE BEARING
TUBE LENGTH	A	B	C	D
10"	10-5/8"	50720194	—	—
11"	11-5/8"	50720195	—	—
12"	12-5/8"	50720196	—	—
13"	13-5/8"	50720197	50720198	—
14"	14-5/8"	50720199	50720200	—
15"	15-5/8"	50720201	50720202	50720203
16"	16-5/8"	50720204	50720205	50720206
17"	17-5/8"	50720207	50720208	50720209
18"	18-5/8"	50720210	50720211	507202129
19"	19-5/8"	50720213	50720214	50720215
20"	20-5/8"	50720216	50720217	50720218
21"	21-5/8"	50720219	50720220	50720221
22"	22-5/8"	50720222	50720223	50720224
23"	23-5/8"	50720225	50720226	50720227
24"	24-5/8"	50720228	50720229	50720230
25"	25-5/8"	50720231	50720232	50720233
26"	26-5/8"	50720234	50720235	50720236
27"	27-5/8"	50720237	50720238	
28"	28-5/8"	50720239	50720240	
29"	29-5/8"	50720241	50720242	
30"	30-5/8"	50720243	50720244	
31"	31-5/8"	50720245	50720246	
32"	32-5/8"	50720247	50720248	
33"	33-5/8"	50720249		
34"	34-5/8"	50720250		
35"	35-5/8"	50720251		
36"	36-5/8"	50720252		
37"	37-5/8"	50720253		



**TOTAL
MAINTENANCE
SOLUTIONS**

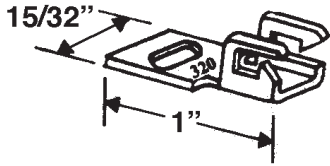
HOUSTON
800/392-5066

ORLANDO
800/327-3022

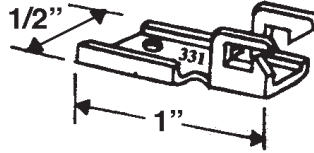
GREENVILLE
800/476-2212

LOOK FOR US ON THE WEB AT: www.TMSSouth.com

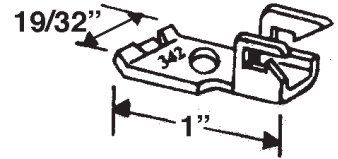
HARDWARE & TOILET PARTITIONS



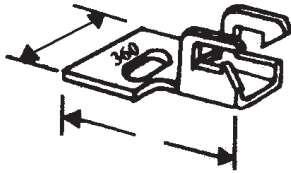
METAL SASH CLIP
PART # 50720257



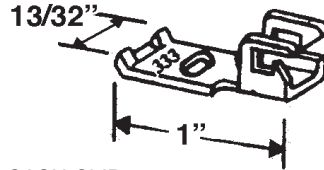
METAL SASH CLIP
PART # 50720258



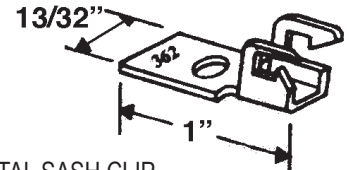
METAL SASH CLIP
PART # 50720259



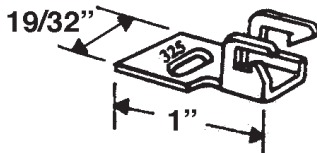
METAL SASH CLIP
PART # 50720260



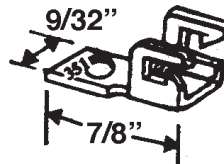
METAL SASH CLIP
PART # 50720261



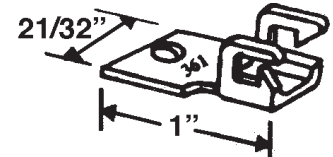
METAL SASH CLIP
PART # 50720262



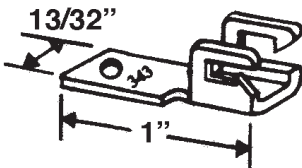
METAL SASH CLIP
PART # 50720263



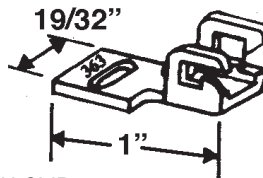
METAL SASH CLIP
NO LONGER AVAILABLE
USE PART # 50720256



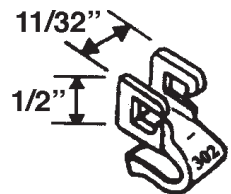
METAL SASH CLIP
PART # 50720264



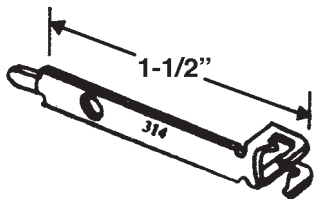
METAL SASH CLIP
PART # 50720265



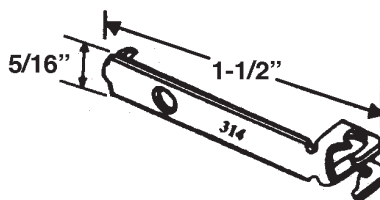
METAL SASH CLIP
PART # 50720266



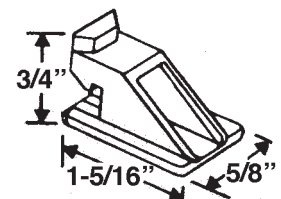
BRACKET
PART # 50720267



METAL SASH BRACKET
PART # 50720268



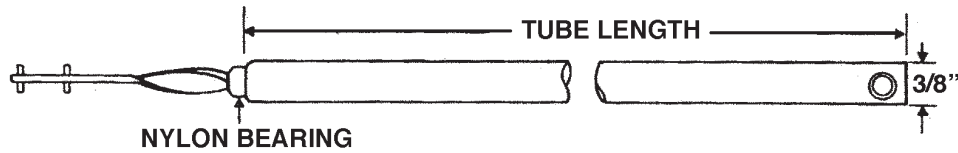
METAL SASH BRACKET
PART # 50720269



METAL SASH BRACKET
PART # 50720270

HARDWARE & TOILET PARTITIONS

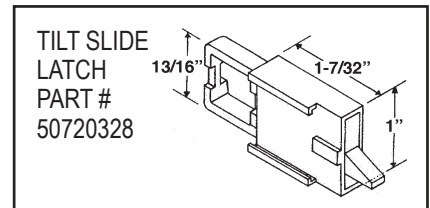
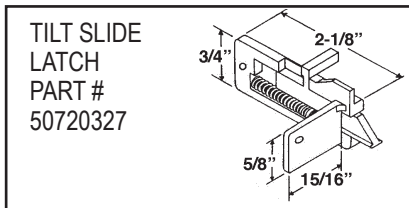
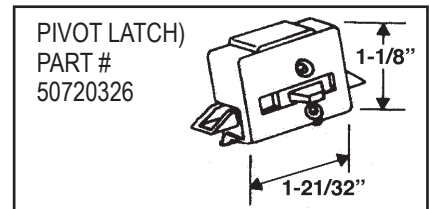
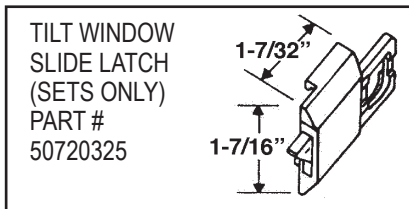
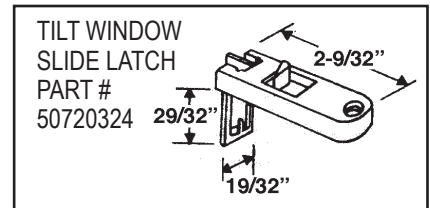
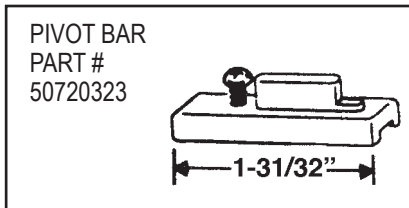
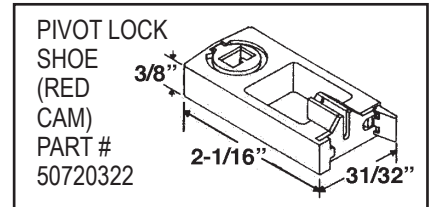
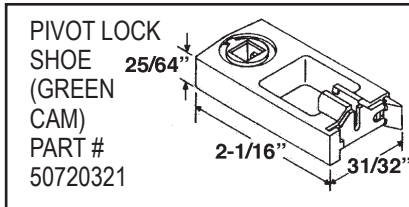
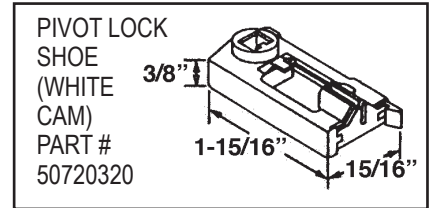
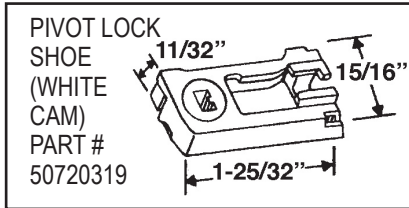
83 SERIES 3/8" TUBE BALANCE



ORDERING INFORMATION

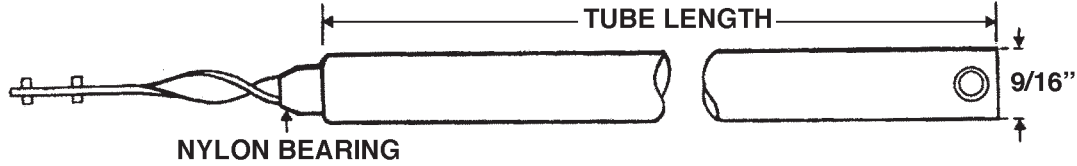
1. Measure metal tube length. (Do not include nylon bearing).
2. Measure spiral rod length. (Make sure rod is flush with screw hole at end of tube before measuring)
3. Identify the color of the bearing (e.g., white, red or blue) and select our part # from the chart below.
4. Identify the appropriate carrier or other related accessories from illustrations below and at right.

	WHITE BEARING	RED BEARING	BLUE BEARING
TUBE LENGTH	A	B	C
10"	50720271	—	—
11"	50720272	—	—
12"	50720273	—	—
13"	50720274	50720275	—
14"	50720276	50720277	—
15"	50720278	50720279	50720280
16"	50720281	50720282	50720283
17"	50720284	50720285	50720286
18"	50720287	50720288	50720289
19"	50720290	50720291	50720292
20"	50720293	50720294	50720295
21"	50720296	50720297	50720298
22"	50720299	50720300	50720301
23"	50720302	50720303	50720304
24"	50720305	50720306	50720307
25"	50720308	50720309	50720310
26"	50720311	—	—
27"	50720312	—	—
28"	50720313	—	—
29"	50720314	—	—
30"	50720315	—	—
31"	50720316	—	—
32"	50720317	—	—
33"	50720318	—	—



HARDWARE & TOILET PARTITIONS

83 SERIES 3/8" TUBE BALANCE



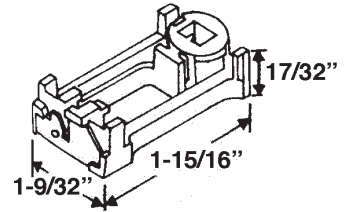
ORDERING INFORMATION

1. Measure metal tube length. (Do not include nylon bearing).
2. Measure spiral rod length. (Make sure rod is flush with screw hole at end of tube before measuring)
3. Identify the color of the bearing (e.g., black, red or blue) and select our part # from the chart below.
4. Identify the appropriate carrier or other related accessories from illustrations below and at right.

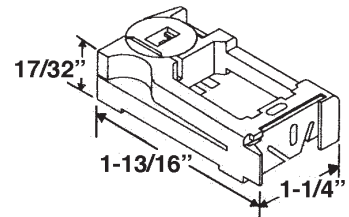
	RED BEARING	BLUE BEARING	BLACK BEARING
TUBE LENGTH	A	B	C
12"	50720329	50720330	—
13"	50720331	50720332	—
14"	50720333	50720334	—
15"	50720335	50720336	—
16"	50720337	50720338	—
17"	50720339	50720340	50720341
18"	50720342	50720343	50720344
19"	50720345	50720346	50720347
20"	50720348	50720349	50720350
21"	50720351	50720352	50720353
22"	50720354	50720355	50720356
23"	50720357	50720358	50720359
24"	50720360	50720361	50720362
25"	50720363	50720364	50720365
26"	50720366	50720367	50720368
27"	50720369	50720370	50720371
28"	50720372	50720373	50720374
29"	50720375	50720376	50720377
30"	50720378	50720379	50720380
31"	50720381	50720382	50720383
32"	50720384	50720385	50720386
33"	50720387	50720388	50720389
34"	50720390		50720391
35"	50720392		50720393
36"	50720394		50720395
37"	50720396		50720397
38"	50720398		50720399
39"	50720400		50720401

PIVOT LOCK SHOE
(NYLON CAM)

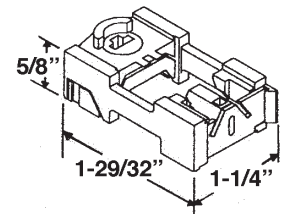
NO LONGER AVAILABLE
USE PART # 50720402



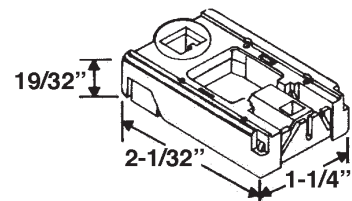
PIVOT LOCK SHOE
(BLUE CAM)
PART # 50720402



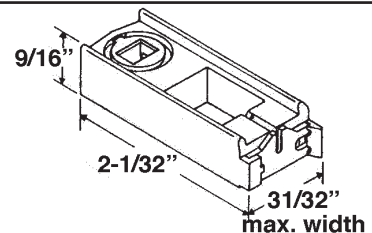
PIVOT LOCK SHOE
(WHITE CAM)
PART # 50720403



PIVOT LOCK SHOE
(DIE CAST CAM)
PART # 50720404



PIVOT LOCK SHOE
(BLACK CAM)
PART # 50720405



**TOTAL
MAINTENANCE
SOLUTIONS**

HOUSTON
800/392-5066

ORLANDO
800/327-3022

GREENVILLE
800/476-2212

LOOK FOR US ON THE WEB AT: www.TMSSouth.com

BATHROOM ACCESSORIES

SOAP DISPENSERS FROM BOBRICK

Horizontal mount, S/S satin finish, dispenses soap, lotions and detergents.

PART # 40500074



S/S satin finish, dispenses soaps, lotions and detergents

PART # 40500016



Vertical mount, S/S satin finish. Dispenses soaps, lotions and detergents

PART # 40500075



Lavatory mounted liquid soap dispenser with 4" spout, 0-4" adjustable shank plastic container with 34 oz. capacity.

PART # 40500079

*With 6" spout
PART # 40500024*

*Bottle only
PART # 80102909*



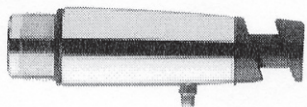
Two tone black and gray with corrosion resistant valve. Dispenses lotion & liquid soap

PART # 40500112



RETROFIT VALVE

PART # 40500017



SOAP DISPENSERS FROM AMERICAN SPECIALTIES

HORIZONTAL SOAP DISPENSER
Stainless steel satin finish.

PART # 40500082



VERTICAL SOAP DISPENSER
Stainless steel satin finish

PART # 40500083



LAVATORY MOUNTED ALL PURPOSE SOAP DISPENSER

Corrosion resistant. Spout and stem are stainless steel with bright finish. Adjustable threaded shank

PART # 40500081



SURFACE MOUNTED LIQUID SOAP DISPENSER

Stainless steel tapered housing with mirrored polished finish.

PART # 80042020



PUSH-UP TYPE SOAP DISPENSER

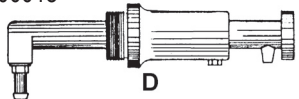
Non-corroding valve dispenses soaps, detergents and thin lotions. Bracket and valve assembly chrome plated ABS, piston chrome plated brass

PART # 80192804



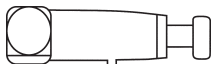
RETROFIT SOAP VALVE

PART # 40500018



HORIZONTAL VALVE FOR GRAVITY SOAP SYSTEM

PART # 80041093



TOTAL MAINTENANCE SOLUTIONS

HOUSTON
800/392-5066

ORLANDO
800/327-3022

GREENVILLE
800/476-2212

LOOK FOR US ON THE WEB AT: www.TMSSouth.com

BATHROOM ACCESSORIES**SOAP DISPENSERS FROM BRADLEY****MODEL 6542 HORIZONTAL SOAP DISPENSER**

Stainless steel. Soap valve has chrome plated brass housing with ABS plastic mechanism. ADA compliant.

PART # 80086452

**MODEL 6562 VERTICAL SOAP DISPENSER**

Stainless steel. Soap valve has chrome plated brass housing with ABS plastic mechanism. ADA compliant.

PART # 80086562

**MODEL 6324 LAVATORY MOUNTED SOAP DISPENSER**

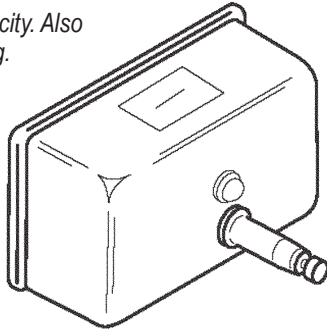
Plunger and spout made of stainless steel. 4" spout, 4-3/4" shank. ADA compliant.

PART # 80086324

**SOAP DISPENSERS FROM GAMCO****MODEL G-58AP TANK TYPE SOAP DISPENSER WITH ALL PURPOSE VALVE**

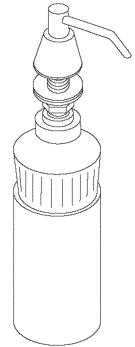
Stainless steel, 40 ounce capacity. Also available with vertical mounting.

PART # 80251010

**MODEL G-64 BASIN MOUNTED SOAP DISPENSER WITH ALL PURPOSE VALVE**

Basin mounted soap dispenser holds 32 ounces. Easily filled from top. 4" spout.

PART # 80251012

**SOAP DISPENSERS FROM COMPONENT HARDWARE GROUP****SOAP DISPENSER WITH SANIGUARD®**

Part # 40310021

SANIGUARD
By CHG

**SENSOR SOAP DISPENSER**

Does not require special soap.

Part # 40500267



**TOTAL
MAINTENANCE
SOLUTIONS**

HOUSTON
800/392-5066

ORLANDO
800/327-3022

GREENVILLE
800/476-2212

LOOK FOR US ON THE WEB AT: www.TMSSouth.com

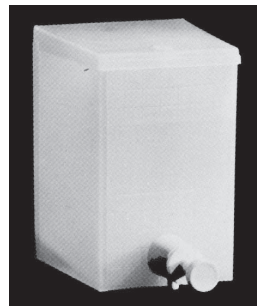
BATHROOM ACCESSORIES

BULK SOAP DISPENSERS

50 OZ. BULK NOZZLE SOAP DISPENSER

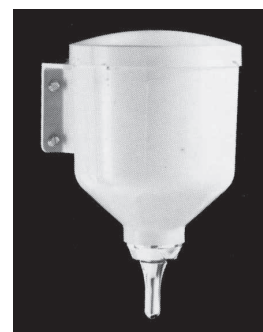
Dispenses lotion soaps and lotion grit soaps. Nozzle built into dispenser (can be removed and replaced). Dispenses light to heavy viscosity soaps plus many synthetic grit soaps.

TMS SOUTH
PART # 80401010
Replacement push
plunger valve
TMS SOUTH
PART # 80401012



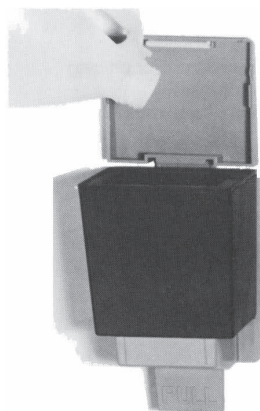
PLASTIC BULK SOAP DISPENSER

100% plastic with 30 oz. capacity. Especially good for viscous soaps.
PART # 80401020



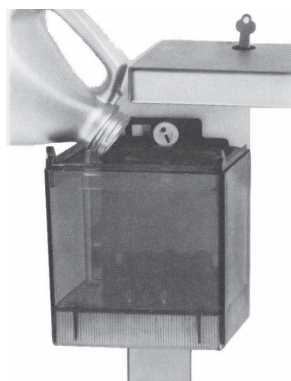
LARGE CAPACITY POWDER DISPENSER

Easy filling. Holds up to 2 lbs. powdered soap.
PART # 80401022



32 OZ. TANK SOAP DISPENSER

Excellent for bulk filling. Will not pump solvents, iodine or pumice type soaps. No metal parts are in contact with liquid.
PART # 80401016



INDUSTRIAL TANK SOAP DISPENSER

Has plastic chrome plated lid with thick, strong nylon riveted pull handle, rugged metal backplate. Holds 36 oz. with styrene plastic see-through reservoir. Will not pump solvents, iodine or pumice type soaps.
PART # 80402018

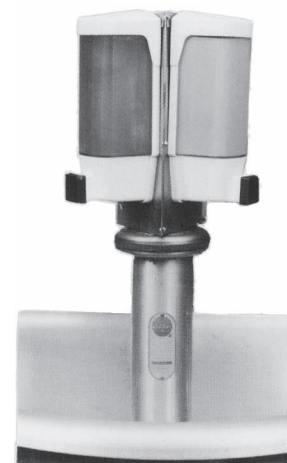
Adapter shown with 2 Dehton dispensers on a semi-circular wash fountain

TRI-SIDE DISPENSER ADAPTER

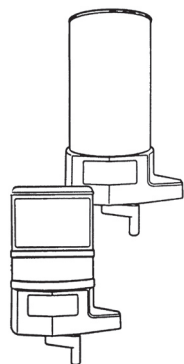
Adapts semi-circular or circular wash fountain to use bulk lotion dispensers. The nickel chrome adaptor accomodates up to three bulk dispensers.

For floor fed water supply, order PART # 80951004

For ceiling fed water supply, order PART # 80951006



DISPENSERS FOR TRI-SIDE ADAPTER



CREAM DISPENSER

For use with waterless cleaners, medicated and protective creams. Accomodates 1 gal. metal dispenser can.
TMS SOUTH PART # 80951016

LOTION DISPENSER

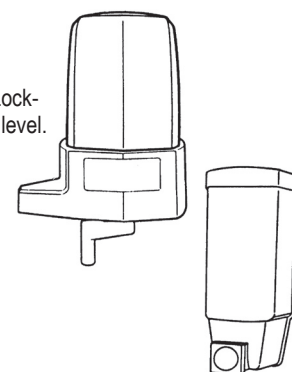
(For use with 1 gal. containers) High impact PVC construction with built-in reservoir that holds 1 liter of product.
TMS SOUTH PART # 80951012

LOTION DISPENSER - BULK

Refillable bulk dispenser with 4000 mil. capacity. Lockable lid for security. Slide window to indicate soap level. PVC construction for durability.
TMS SOUTH PART # 80951014

DEBTON DISPENSER

70 oz. capacity positive action push-button operation dispenser with transparent reservoir. Has follower plate for stiff gels. Not recommended for soaps with pumice.
TMS SOUTH PART # 80951010



**TOTAL
MAINTENANCE
SOLUTIONS**

HOUSTON
800/392-5066

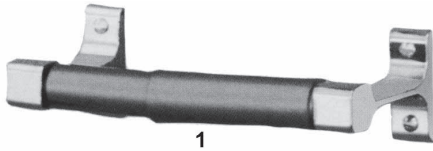
ORLANDO
800/327-3022

GREENVILLE
800/476-2212

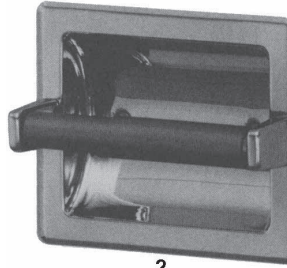
LOOK FOR US ON THE WEB AT: www.TMSSouth.com

BATHROOM ACCESSORIES

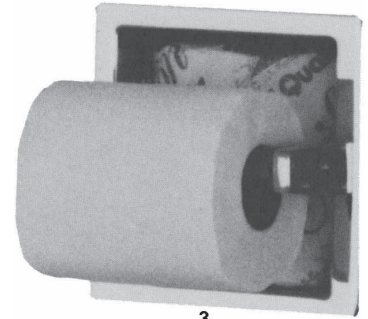
TOILET TISSUE DISPENSERS



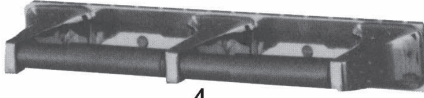
1



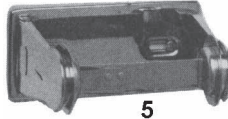
2



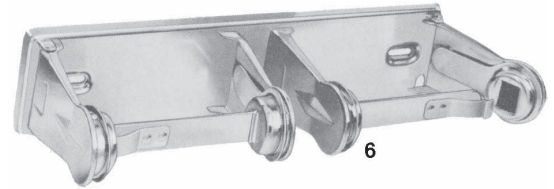
3



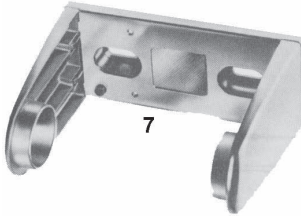
4



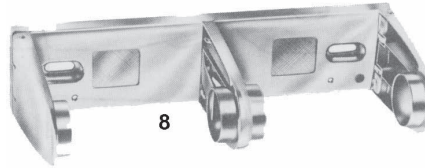
5



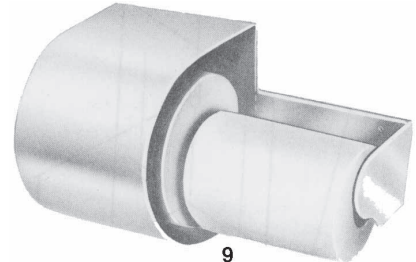
6



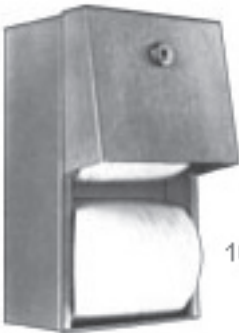
7



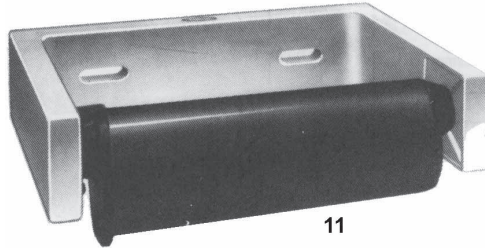
8



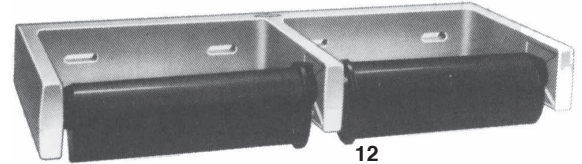
9



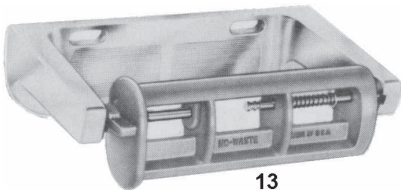
10



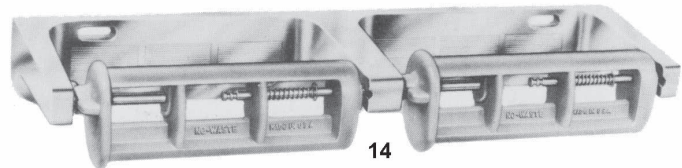
11



12

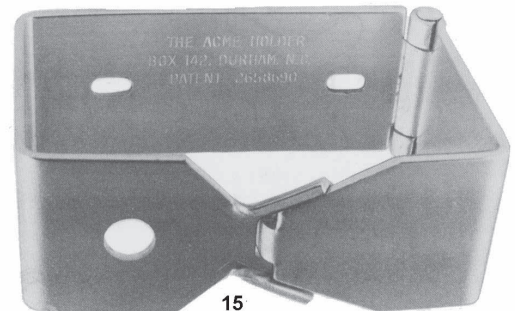


13



14

ITEM	PART #	DESCRIPTION
1	80310810	Paper holder, exposed mtng. w/plastic roller
2	80310808	Recessed paper holder, polished stainless steel
3	80310802	Recessed extra roll paper holder, chrome plated shell
4	80310804	Twin paper holder, chrome plated, plastic rollers
5	40500000	Single roll, vandal proof locking device, chrome finished
6	40500008	Double roll, vandal proof locking device, chrome finish
7	40500001	Single roll concealed hinge, chrome finish
8	40500007	Double roll, concealed hinge, chrome finish
9	80190802	Double roll, covered storage roll, hinged door lock, chrome finish
10	40500090	Double roll, surface mounted, stainless steel finish
11	40500144	Single roll, aluminum with satin finish, vandal proof spindle
12	40500111	Double roll, aluminum with satin finish, vandal proof spindle
13	40500002	Single roll, aluminum with controlled delivery
14	40500006	Double roll, aluminum with controlled delivery
15	40500089	Single roll, aluminum frame, vandal resistant



15



**TOTAL
MAINTENANCE
SOLUTIONS**

HOUSTON
800/392-5066

ORLANDO
800/327-3022

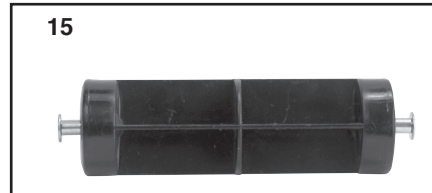
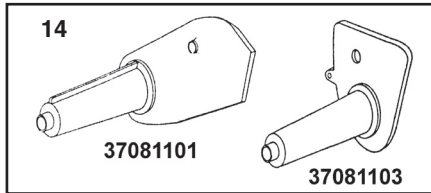
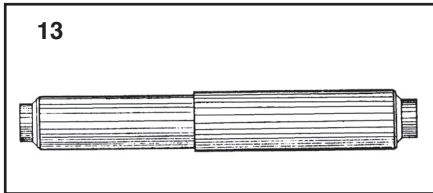
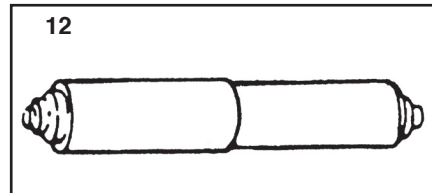
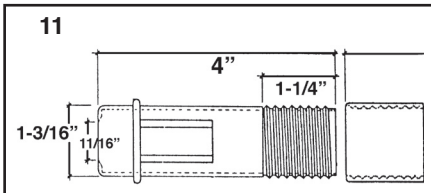
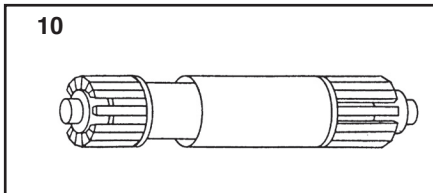
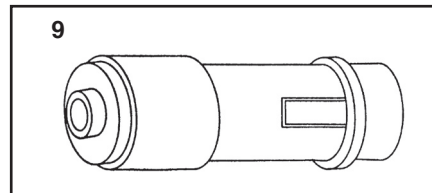
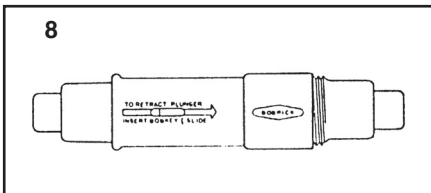
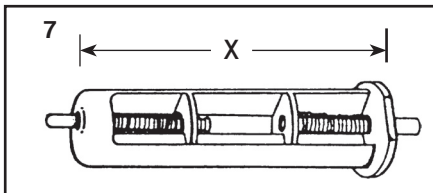
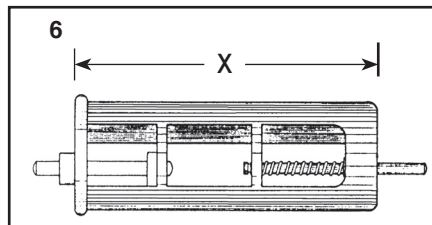
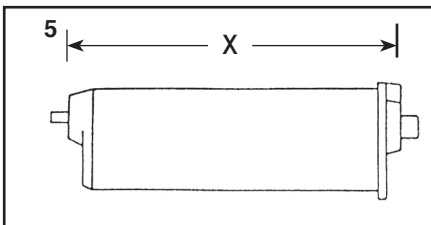
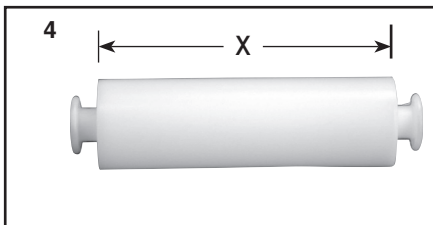
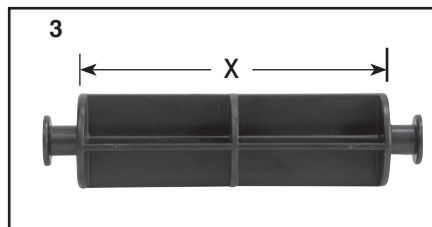
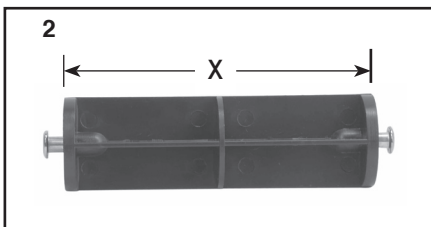
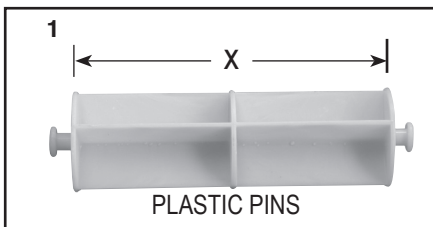
GREENVILLE
800/476-2212

LOOK FOR US ON THE WEB AT: www.TMSSouth.com

BATHROOM ACCESSORIES

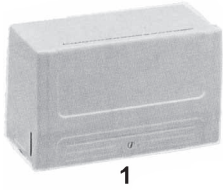
TOILET TISSUE SPINDLES

ITEM	PART #	"X"	DESCRIPTION
1	80100205	4-1/2"	Grey plastic, Bobrick B-288, 388, 386 prior to Jan 1972 Bradley 540, American Specialties – old style
2	40500020	4-3/4"	Black plastic, American Specialties, Gamco, AJ Washroom Accessories
3	40500072	4-5/8"	Black plastic, Bobrick B-288, 388, 386 after Jan 1972
4	41021167	4-1/2"	White plastic, Bradley
5	40500012	5-1/2"	Black plastic, Bradley, Bobrick
6	40500091	5-3/8"	Grey plastic, No-rotate
7	40500109	5-3/8"	Grey plastic, full rotation
8	80100204		Black plastic, Bobrick adjustable Theft-proof
9	37083420		Bradley adjustable Theft-proof
10	NLA		Bradley spindle
11	80045009		American Specialties adjustable Theft-resistant
12	40500005		Fit-All, white plastic roller
13	40500003		Grey plastic roller
	40500146		Chrome plated plastic roller
	80310204		Polished Brass plastic roller
14	NLA		Lower spindle for Bradley 5401
	37081103		Upper spindle for Bradley 5401
	37083410		Spring
	NLA		Plastic rivet
	NLA		Lock clip
15	80086050		Roller for AJ Washroom U840 dispenser



BATHROOM ACCESSORIES

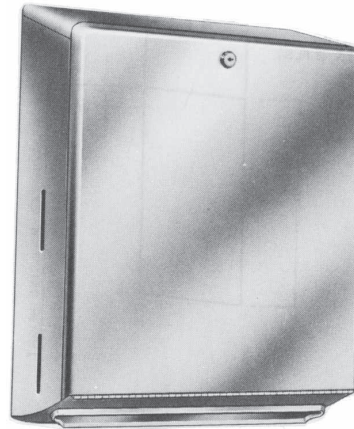
PAPER TOWEL DISPENSERS



1



2



3

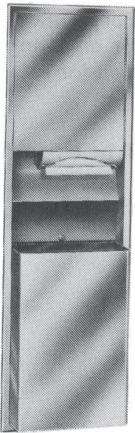


4

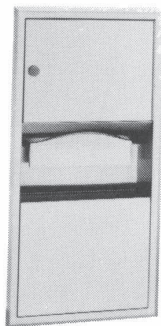
ITEM	PART #	DESCRIPTION
1	80193200	Surface mounted, chrome plated finish for single fold towels
	40500087	Surface mounted, white enamel finish for single fold towels
2	80190675	Roll towel cabinet, white enamel finish for 8" wide roll
3	40500036	Surface mounted, S/S satin finish for C-fold or multi-fold towels
4	40500125	Surface mounted, chrome plated finish for C-fold or multi-fold towels
	80193205	Surface mounted, white enamel finish for C-fold or multi-fold towels

COMBINATION UNITS

ITEM	PART #	DESCRIPTION
1	80103944	Semi-recessed S/S paper towel dispenser with waste receptacle. For 4" walls. Removable 12 gallon waste receptacle.
2	80105004	Recessed compact S/S towel dispenser with 2 gallon removable waste receptacle.



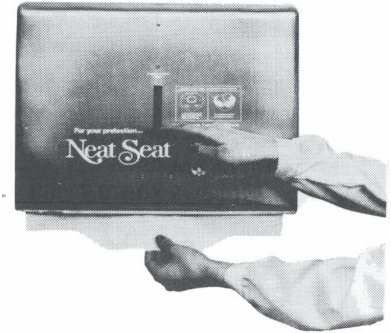
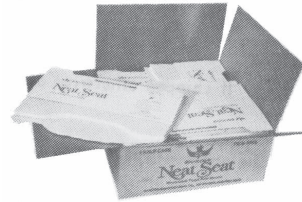
1



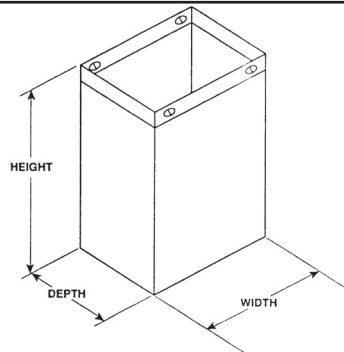
2

TOILET SEAT COVER DISPENSERS

PART #	DESCRIPTION
40500115	White surface mounted <i>NEAT SEAT</i> dispenser
40500086	Stainless Steel surface mounted <i>NEAT SEAT</i> dispenser
40500088	Pack of disposable liners (125 count)



REPLACEABLE VINYL LINERS



PART #	WIDTH	HEIGHT	DEPTH	APPLICATION
80105008	15"	23"	10-7/8"	Bobrick B-364, 368, 3907, 3947 – 18 gallon
80105006	15"	23"	6-7/8"	Bobrick B-367, 3644, 3645, 3900, 3941, 3944 – 12 gallon
80081004	16"	23"	12"	Bradley 234, 237, 344, 346 – 12 gallon
80081006	13-1/2"	18"	5-1/2"	Bradley 357 – 6.5 gallon
80045048	14-3/4"	21-1/2"	6-3/4"	American Specialties 0458, 0469 – 13 gallon
80045469	14-3/4"	21-1/2"	10-3/4"	American Specialties 0469BL, 0469BL – 19 gallon



**TOTAL
MAINTENANCE
SOLUTIONS**

HOUSTON
800/392-5066

ORLANDO
800/327-3022

GREENVILLE
800/476-2212

LOOK FOR US ON THE WEB AT: www.TMSSouth.com

BATHROOM ACCESSORIES

ELECTRIC HAND DRYERS

"GX" SERIES AUTOMATIC

White ABS housing (available in steel with white epoxy or chrome finish). 140 CFM air flow, 130-145° air temp at 72° ambient. 110-120 volt, 12 amp.



PART # 80011020



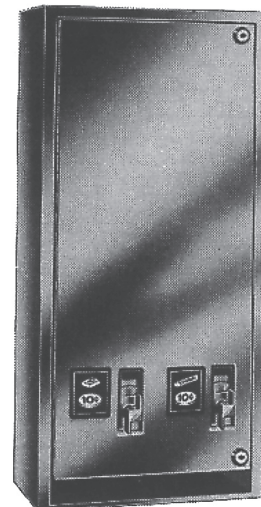
SLOAN XCELERATOR HAND DRYER

Sensor operated, ultra-fast (10 to 15 second) drying time. Heavy duty, die-cast construction. White finish. Green spec approved. 110V.

PART # 80786050

SANITARY NAPKIN- TAMPON DISPENSER

PART # DESCRIPTION
80100282 Surface mounted sanitary napkin-tampon dispenser. Capacity of 30 napkins and 27 tampons.
Size:
11-1/2" W x 26" H x 6-1/2" D
Set for 25 cents.
Also available in "free" or 50 cents.



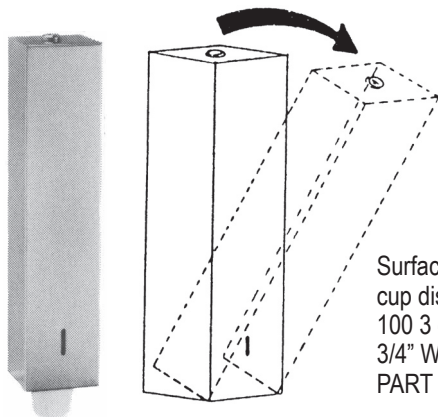
SANITARY NAPKIN DISPOSAL



PART # DESCRIPTION
40500033 Surface mounted S/S sanitary napkin disposal.
Size: 8" W x 11" H x 4" D

PARTITION MOUNTED UNITS FOR TWO TOILET COMPARTMENTS ARE AVAILABLE

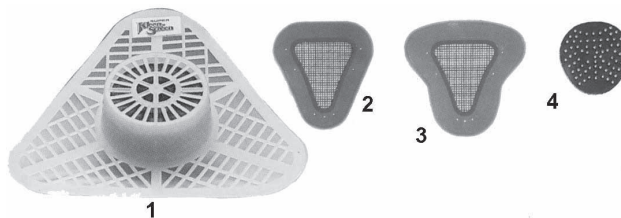
PAPER CUP DISPENSER



Surface mounted paper cup dispenser. Dispenses 100 3 oz. Cups. Size: 2-3/4" W x 14" H x 2-3/4" D.
PART # 80100374

URINAL SCREENS

ITEM	PART #	DESCRIPTION
1	40211040	Urinal screen with cinnamon deodorant block
2	40211246	Urinal screen – 100% vinyl – chemical resistant 4-1/2" x 10-3/4" x 11-3/8"
3	40211042	Urinal screen – 100% vinyl chemical resistant 7" x 12-3/4" x 12-1/4"
4	40211309	Deod-o-screen with 30 day built in deodorant



**TOTAL
MAINTENANCE
SOLUTIONS**

HOUSTON
800/392-5066

ORLANDO
800/327-3022

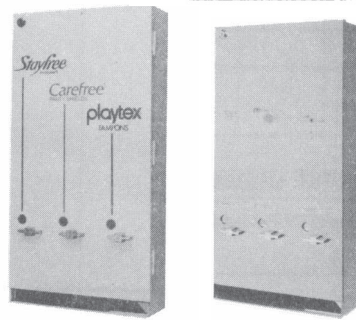
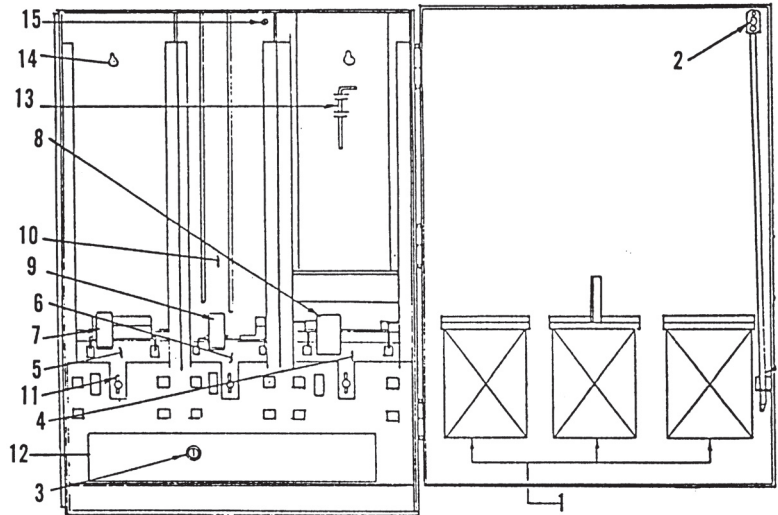
GREENVILLE
800/476-2212

LOOK FOR US ON THE WEB AT: www.TMSSouth.com

BATHROOM ACCESSORIES

ROCHESTER MIDLANDS CORPORATION J10 SERIES

ITEM	PART #	DESCRIPTION
1	80701010	J8 coin mechanism – 25 cents
	80701012	J8 coin mechanism – 50 cents
2	37081250	Lock and locking bar
3	80701020	Coin box lock & key
4	80701026	“T” inside delivery mechanism
5	80701028	#4 Inside delivery mechanism
6	80701030	Carefree inside delivery mechanism
7	80701040	Weight - #4 napkin
8	80701042	Weight – tampon
9	80701044	Weight – carefree
10		Adapter – carefree
11		Roll pin
12		Cash box
13		Hex key
14		Vendor mounting screw
15		Adapter screw
	40500266	Key set

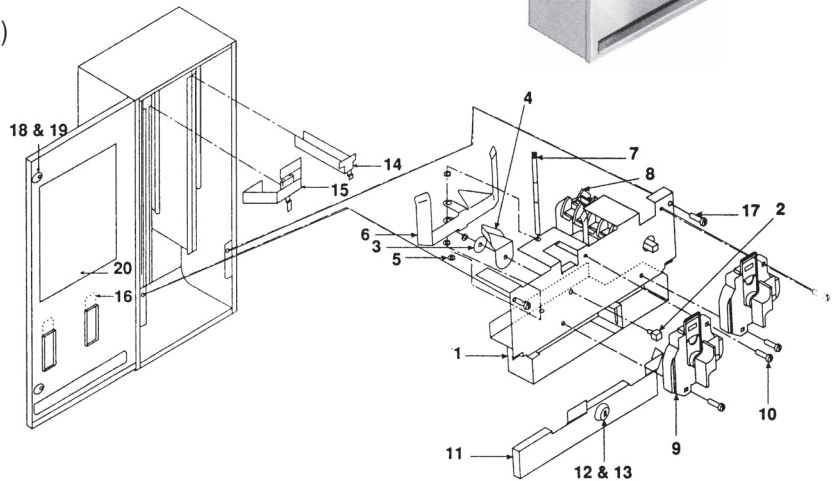
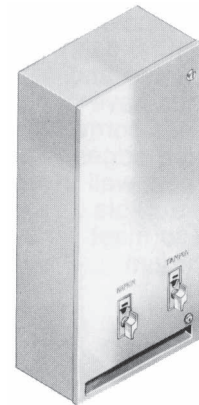


AMERICAN SPECIALTIES 464 (RECESSED), 864 (SURFACE MOUNT) AJ WASHROOM ACCESSORIES U527 BRADLEY 401, 4017, 4018, 426

ITEM	PART #	DESCRIPTION
1-11	80087042	Coin mtng. plate assembly – 10 cents
	80087045	Coin mtng. plate assembly – 25 cents
	80087043	Coin mtng. Plate assembly – 50 cents
2	80080517	Slave shaft (recommend item 5 also)
3	80088018	Flat washer
4	80080072	Cam
5	80088028	Retaining ring
6	80080106	Napkin paddle
7	80080107	Coin shaft (recommend item 5 also)
8	80045002	Tampon rotor
9-10	40500512	10 cent mech assembly – tampon
	40500513	25 cent mech assembly – tampon
	40500118	10 cent mech assembly – napkin
	40500147	25 cent mech assembly – napkin
10	80088051	Screw
11-13	40500120	Coin box cover w/ lock & key
14	40500121	Tampon weight
15	40500122	Napkin weight
16	80080036	10 cent label
	80080037	25 cent label
	80080038	50 cent label
17	80088055	Screw
18-19	80041086	Lock & key

BRADLEY	
37081105	Door key
37081208	Coin box key

ASI	
80041046	Coinbox key
40500100	Door key



**TOTAL
MAINTENANCE
SOLUTIONS**

HOUSTON
800/392-5066

ORLANDO
800/327-3022

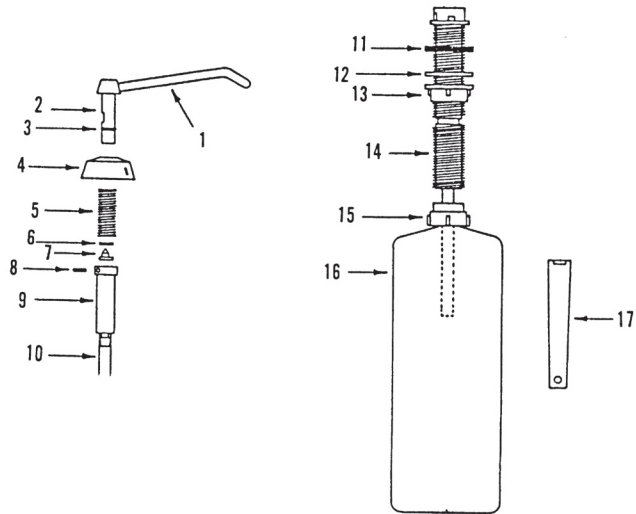
GREENVILLE
800/476-2212

LOOK FOR US ON THE WEB AT: www.TMSSouth.com

BATHROOM ACCESSORIES

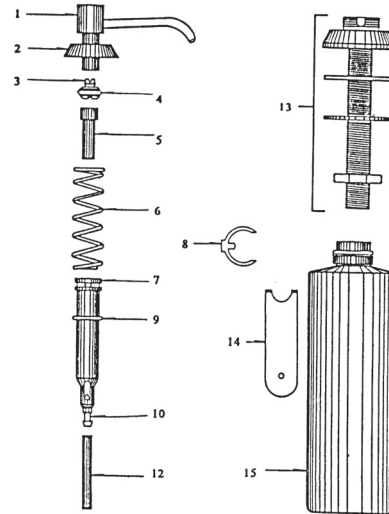
AJ WASHROOM ACCESSORIES MODEL U128

ITEM	PART #	DESCRIPTION
1		Spout only - 4"
2		Piston and spout assembly
3	40950045	Piston o-ring
4		Flange collar
5		Piston spring
6		Neoprene washer
7		Check valve
8		Locking pin
9		Piston cylinder
1-9	80012800	Liquid piston assembly
10	80012810	Supply tube
11		Rubber gasket
12		Shank washer
13		Shank nut
14		Shank assembly
15	80012815	Globe collar
16	80012816	Globe
17	80012817	Service wrench

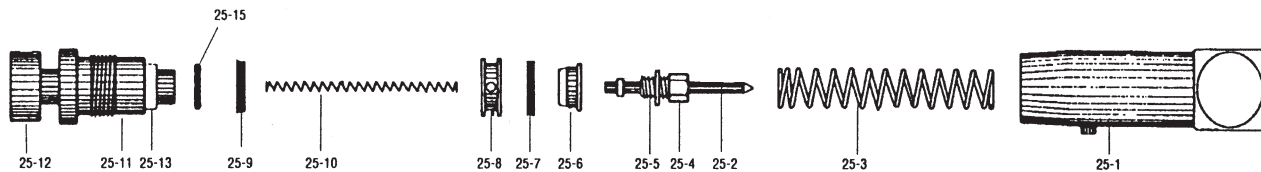


PARTS FOR AMERICAN SPECIALTIES (29/0328) LIQUID

ITEM	PART #	DESCRIPTION
1	40500124	Piston and spout (4" spout)
2	80041052	Collar
3	80041034	Nut with check
4	40950021	O-ring
5	80041042	Spacer
6	80041032	Spring
7	80041070	Cylinder
8	80041068	Lock ring
9	40950041	O-ring
10	40500137	Check valve
11	80041040	Pump assembly w/ 4" spout (items 1 - 10)
12	80041056	Supply tube
13	40500139	Basin shank housing assembly
14	40500132	Wrench
15	80041064	Poly globe



PARTS FOR AMERICAN SPECIALTIES (0353/25) LIQUID VALVE



ITEM	PART #	DESCRIPTION
25-1		Body
25-2	80040252	Pin
25-3	80040253	Main spring
25-4	80040254	Screw
25-5	80040255	Screw washer
25-6	80040256	Seat bushing
25-7	80040257	Seat washer

ITEM	PART #	DESCRIPTION
25-8	80040258	Main bushing
25-9	80040259	Piston washer
25-10	80042510	Piston spring
25-11	80042511	Piston nut
25-12	80042512	Piston
25-13	80042513	Bushing
25-15	80042515	O-ring
25-26		Complete piston assembly w/ springs



HOUSTON
800/392-5066

ORLANDO
800/327-3022

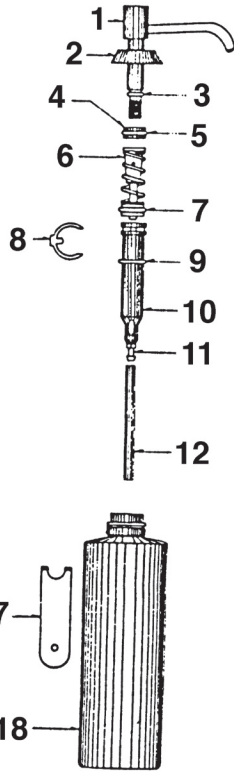
GREENVILLE
800/476-2212

LOOK FOR US ON THE WEB AT: www.TMSSouth.com

BATHROOM ACCESSORIES

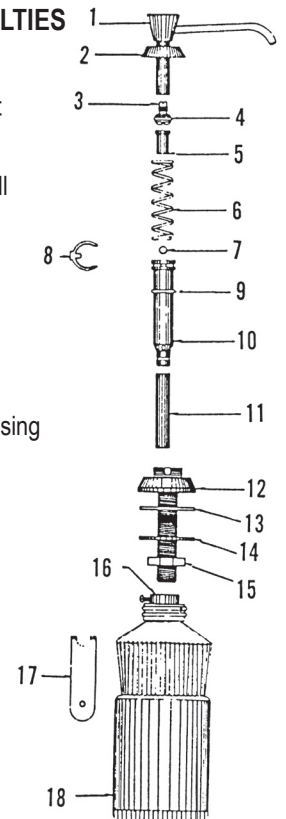
PARTS FOR AMERICAN SPECIALTIES (0329/28) LATHER

ITEM	PART #	DESCRIPTION
1	80042817	Piston and spout assembly - 4"
2	80041052	Collar
3	40950019	O-ring
4	80042866	O-ring holder
5	40950021	O-ring
6	80042835	Rear valve assembly
7	40950021	O-ring
8	80041068	Lock ring
9	40950041	O-ring
10	80041070	Cylinder
11	80041014	Check valve
12	80041056	Supply tube
13-16	80041080	Basin shank housing assembly
14		Gasket
15	40800529	Washer
16		Nut
17	40500132	Wrench
18	80041064	Poly globe



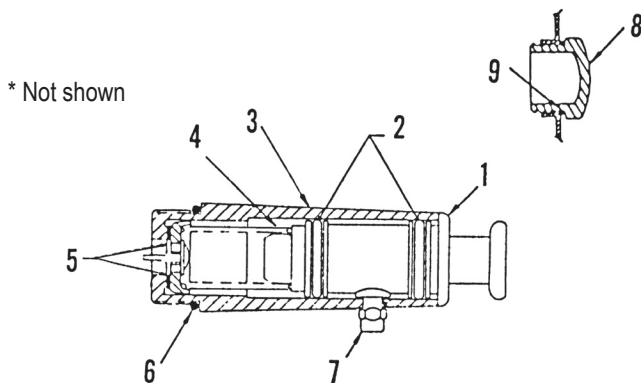
PARTS FOR AMERICAN SPECIALTIES (0330/19) ALL PURPOSE

ITEM	PART #	DESCRIPTION
1	80041947	Piston and spout assembly - 4"
2	80041052	Collar
3	80041909	Steel nut and ball
4	40950021	O-ring
5	80041969	Spacer
6	80041908	Spring
7	80041951	Ball
8	80041068	Lock ring
9	40950041	O-ring
10	80041974	Cylinder
11	80041928	Supply tube
12-15	80041975	Basin shank housing assembly
13		Gasket
14	40800529	Washer
15	40500225	Nut
16	40500119	Globe adapter
17	40500132	Wrench
18	80001060	Globe



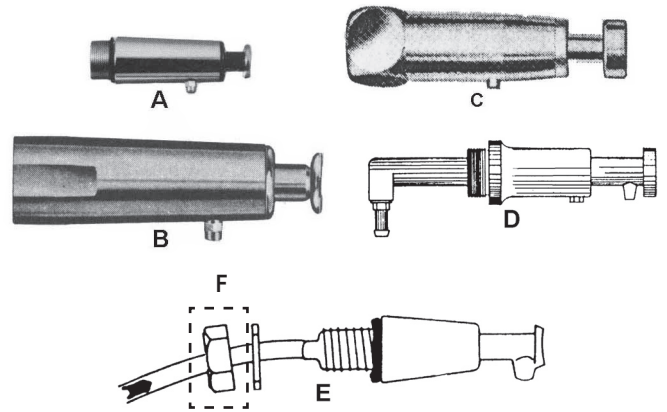
PARTS FOR BOBRICK 111-79 ALL PURPOSE VALVE

ITEM	PART #	DESCRIPTION
1	NLA	Piston & guide assembly
2	40950035	O-ring for piston
3	80103008	Cylinder
4	80103012	Spring
5	80101126	Valve assembly & washer
6	40950027	O-ring
7	NLA	Spout
1-7	40500017	Complete valve
8	80102902	Polycarbonate window with o-ring
9	40950027	O-ring
*	80102905	Collar nut



REPLACEMENT SOAP VALVES

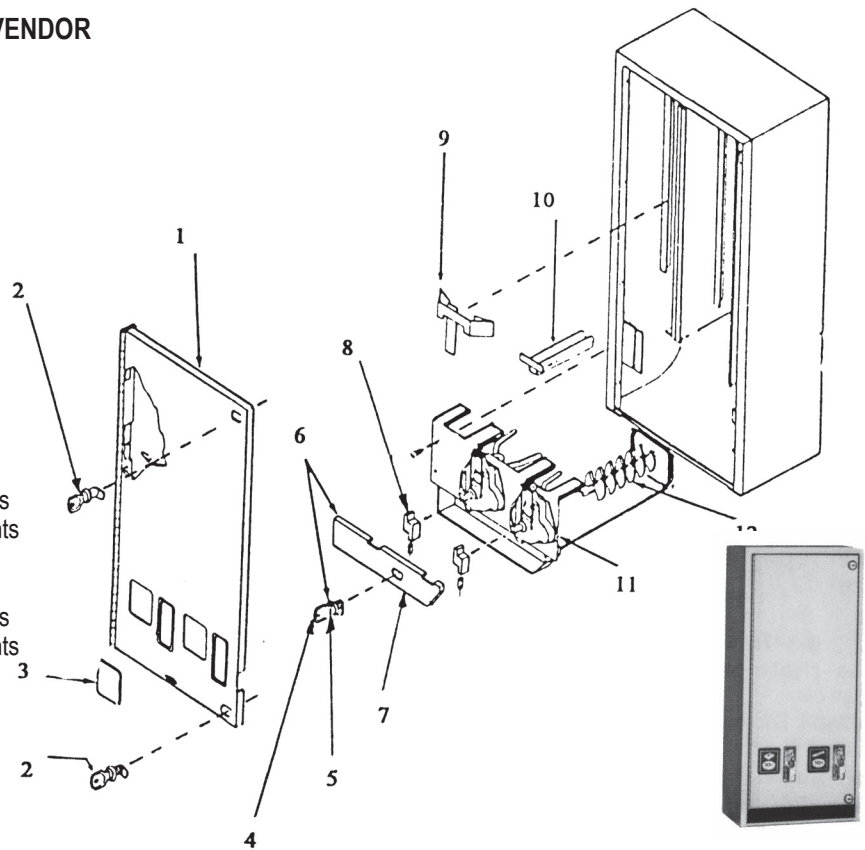
ITEM	PART #	DESCRIPTION
A	80193002	Liquid soap valve, Fits Bobrick, Bradley, Continental, AJ Washroom Accessories
B	40500017	Bobrick liquid soap valve, Female inlet 3/8" IPS, 3-1/8" long
C	80041093	American Specialties liquid soap valve, Female inlet 3/8" IPS, 3-1/2" long
D	40500018	Universal replacement liquid soap valve
E	80103006	Bobrick All-Purpose valve, chrome plated
F	80102905	Collar nut



BATHROOM ACCESSORIES

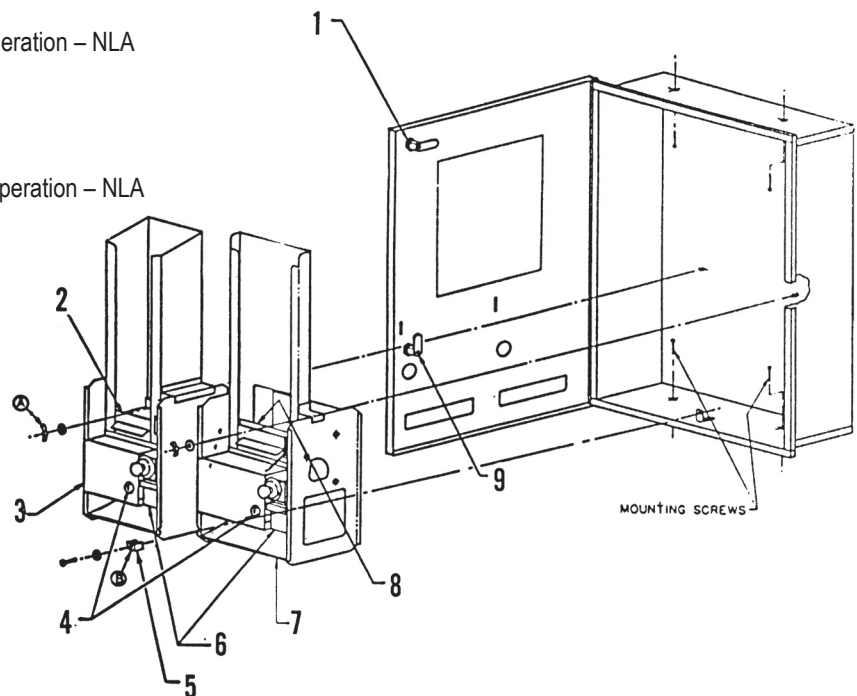
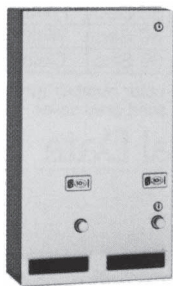
BOBRICK B-282, B-352 NAPKIN-TAMPON VENDOR

ITEM	PART #	DESCRIPTION
1	NLA	Complete door assembly
2	80104801	Lock & Key for door
	80104604	Key for door
3	NLA	Coin plate 5 cents
	NLA	Coin plate 10 cents
	80102110	Coin plate 25 cents
	80102106	Coin plate free
4	40500095	Key for coin box
5	40500096	Lock & key for coin box
6	40500097	Coin box cover w/ lock & key
7	40500098	Coin box cover
8	40500099	Handle w/ set screw
9	40500100	Napkin weight
10	40500101	Tampon weight
11	40500102	Napkin mechanism – 10 cents
	40500103	Tampon mechanism – 10 cents
	80105253	Napkin mechanism – Free
	80105256	Tampon mechanism – Free
	40500105	Napkin mechanism – 25 cents
	40500106	Tampon mechanism – 25 cents
12	80104805	Tampon rotor



BOBRICK MODELS B-2802, B-3502, B3503 & B-35034 (MANUFACTURED AFTER JANUARY 1976)

ITEM	PART #	DESCRIPTION
1	80104803	Upper door lock & key
2	80103467	Napkin weight
3		Napkin magazine for coin operation – NLA
4	40500110	Coin box lock & key
	40500095	Key for coin box
5	NLA	“U” bracket
6	80103449	Coin box
7		Tampon magazine for coin operation – NLA
8	40500113	Tampon weight
9	40500114	Lower lock & key
	40500092	Door key



**TOTAL
MAINTENANCE
SOLUTIONS**

HOUSTON
800/392-5066

ORLANDO
800/327-3022

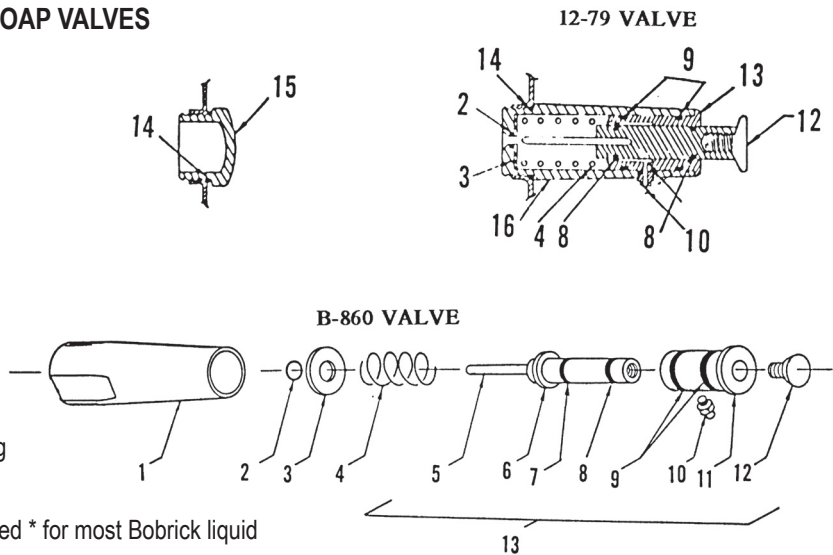
GREENVILLE
800/476-2212

LOOK FOR US ON THE WEB AT: www.TMSSouth.com

BATHROOM ACCESSORIES

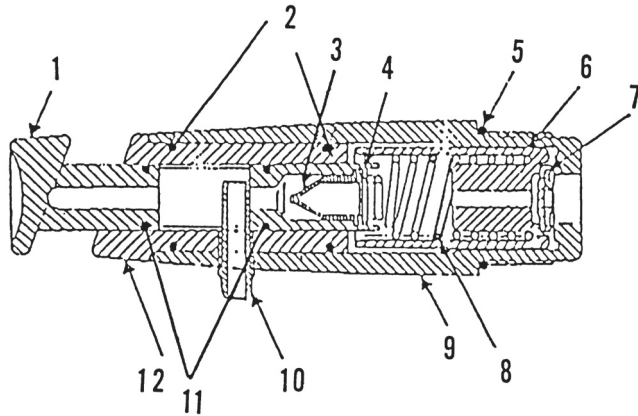
PARTS FOR BOBRICK B-860 & 12-79 LIQUID SOAP VALVES

ITEM	PART #	DESCRIPTION
1	80106028	Cylinder
2	40950126*	O-ring
3	80103110	Retainer
4	80103108	Spring
5	NLA	Piston & needle valve
6	80106021*	Retainer ring
7	40950019*	O-ring
8	40950019*	O-ring
9	40950023*	O-ring
10	40500158*	Spout
11	80106006	Guide
12		Push button
13	80106050	Piston & guide assembly
14	40950027	O-ring
15	80102902	Polycarbonate window with O-ring
16	80102905	Cylinder - no longer available
	80102905	Collar nut (for 12-79 valve)
	80103102	Repair kit-contains all items marked * for most Bobrick liquid



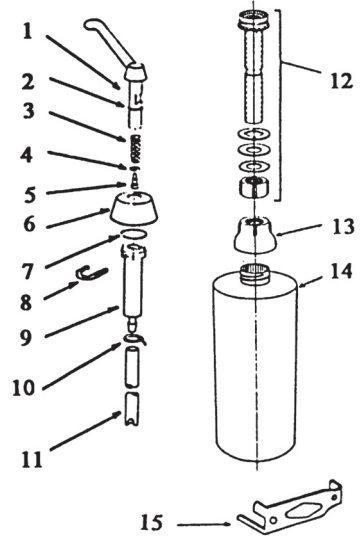
PARTS FOR BOBRICK 2111-79 LIQUID SOAP VALVES

ITEM	PART #	DESCRIPTION
1	80101138	Piston assembly
2	NLA	O-ring for guide
3	NLA	Duckbill
4	80101121	Washer (clear)
5	40950027	O-ring
6	NLA	Spring housing
7	NLA	Capsule valve
8	NLA	Spring
9	NLA	Cylinder
10	NLA	Spout
11	NLA	O-ring for piston
12	NLA	Guide assembly
1-12	40500017	Complete valve



PARTS FOR BOBRICK B-822 LIQUID DISPENSER

ITEM	PART #	DESCRIPTION
1	80102223	Piston and spout
2	80001075	O-ring
3	80102283	Spring
4	80102217	Retainer ring
5	80101998	Duck bill valve
6	80102265	Cover
7	80102264	O-ring
8	80102215	Guide key
9	80102212	Cylinder
10	80102462	Cable tie
11	80102110	Supply tube
12	80100208	Universal mount, O/S
13	80109908	Bottle cap
14	80102909	Bottle
15	80100822	Bob key



**TOTAL
MAINTENANCE
SOLUTIONS**

HOUSTON
800/392-5066

ORLANDO
800/327-3022

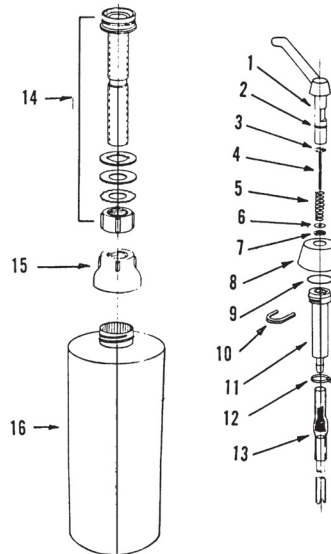
GREENVILLE
800/476-2212

LOOK FOR US ON THE WEB AT: www.TMSSouth.com

BATHROOM ACCESSORIES

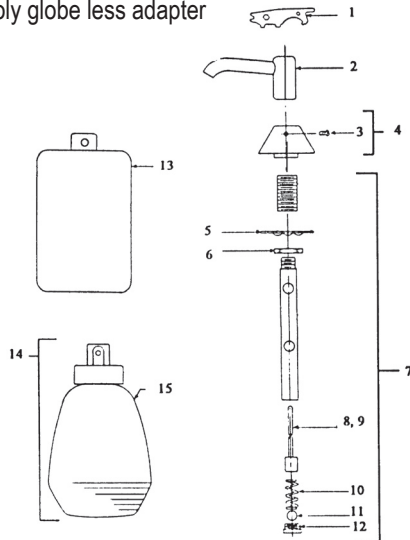
PARTS FOR BOBRICK B-823 LATHER DISPENSER

ITEM	PART #	DESCRIPTION
1	80102323	Piston and spout assembly - 4"
2	80102238	O-ring
3	80102332	Disk
4	80102331	Shaft
5	80102383	Spring
6	80102217	Retaining ring
7	80102333	Valve disk
8	80102265	Cover
9	80102264	Washer
10	80102215	Guide key
11	80102212	Cylinder
12	80102462	Cable tie
13	80102350	Supply tube
14	80102102	Universal mounting
15	80109908	Bottle cap
16	80102909	Bottle



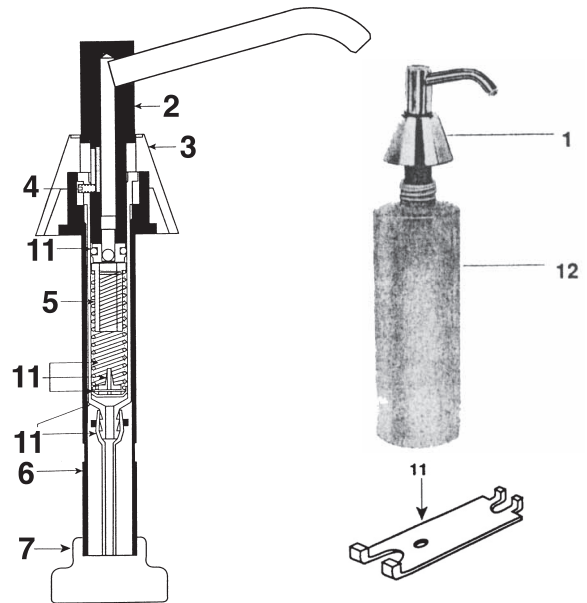
PARTS FOR BOBRICK DISPENSER (B-829,82923,8295)

ITEM	PART #	DESCRIPTION
1	80104602	Bob key
2	80102948	Plunger with 2-1/2" spout
	80102941	Plunger with 4" spout
3	80108296	Guide screw
4	80108297	Body with guide screw
5	80102943	Flat rosette washer
6	80109918	Lock nut
7	80102987	Complete lower mechanism
8	80102937	Soap piston and supply tube Model B-829 (short)
9	80102917	Soap piston and supply tube Model B-8295,8292,8294(long)
10	80108299	Spring
11	80100217	Ball check
12	80102928	Valve seat
13	80109130	Stainless steel soap container
14	80102908	Poly globe with adapter
15	80102910	Poly globe less adapter



**BRADLEY MODELS 6302, 6304, 6306
(MANUFACTURED 1986 OR AFTER)**

ITEM	PART #	DESCRIPTION
1	80089103	Plunger and Valve assembly, 2-1/2" spout
	80089104	Plunger and Valve assembly, 4" spout
	80089144	Plunger and Valve assembly, 6" spout
2	80089108	Spout assembly, 2-1/2"
	80089109	Spout assembly, 4"
	80089145	Spout assembly, 6"
3	80089110	Escutcheon
4	80089064	Set screw
5	80089147	Plunger spacer
6	40500282	Shank
7	80089117	Adapter
11	40500283	Repair kit
12	80089119	32 oz. plastic globe



**TOTAL
MAINTENANCE
SOLUTIONS**

HOUSTON
800/392-5066

ORLANDO
800/327-3022

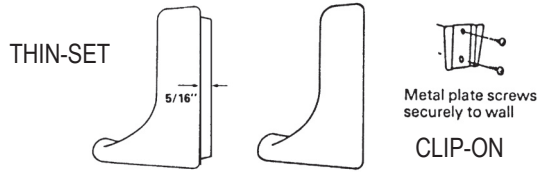
GREENVILLE
800/476-2212

LOOK FOR US ON THE WEB AT: www.TMSSouth.com

BATHROOM ACCESSORIES

CERAMIC ACCESSORIES

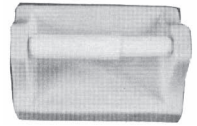
ALL ACCESSORIES SHOWN ARE IN WHITE UNLESS OTHERWISE NOTED. OTHER COLORS ARE AVAILABLE.



PART # DESCRIPTION
40500206 Thin-set paper holder,
6" Wx 4-1/4" H



PART # DESCRIPTION
80501020 Clip-on paper holder, 6-1/4" W
x 4-1/2" H



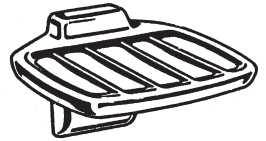
PART # DESCRIPTION
80502030 Thin-set tub soap holder,
6" Wx 4-1/4" H
80502032 Thin-set tub soap holder
w/bar, 6" Wx 4-1/4" H



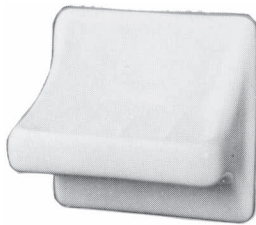
PART # DESCRIPTION
80501622 Clip-on toothbrush holder,
2-1/4" Wx 2-5/8" H



PART # DESCRIPTION
80501621 Clip-on soap dish,
2-1/4" Wx 2-5/8" H



PART # DESCRIPTION
40500207 Thin-set soap holder,
4-1/4" x 4-1/4", white



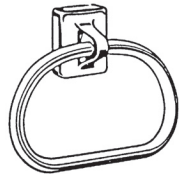
PART # DESCRIPTION
80501060 Thin-set towel bar brackets, 2" x 4", without bar
80501625 Clip-on towel brackets, 2" Wx 2-1/2" H w/24" bar



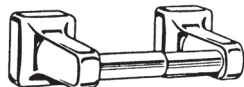
PART # DESCRIPTION
40500209 Thin-set tumbler-toothbrush
holder, 4-1/4" x 4-1/4"



PART # DESCRIPTION
80501626 Clip-on towel ring,
2-1/4" Wx 2-1/2" H



PART # DESCRIPTION
80501624 Clip-on paper holder, 2" Wx 2-1/2" H



PART # DESCRIPTION
80501628 Clip-on robe hook, 2" Wx 2" H



**TOTAL
MAINTENANCE
SOLUTIONS**

HOUSTON
800/392-5066

ORLANDO
800/327-3022

GREENVILLE
800/476-2212

LOOK FOR US ON THE WEB AT: www.TMSSouth.com

BATHROOM ACCESSORIES

HOTEL/MOTEL ACCESSORIES

ROBE HOOKS

ITEM	PART #	DESCRIPTION
1	80311604	Single robe hook-exposed mounting
2	40500211	Single robe hook-concealed mounting
3	40500220	Double robe hook-concealed mounting
	80311601	Double robe hook-con. mtng. - polished brass
4	40500212	Double robe hook w/ 4" S/S bar



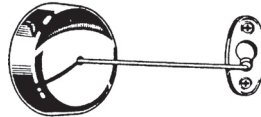
TOWEL HOLDERS

PART #	DESCRIPTION
40500213	2 Guest towel unit
40500214	3 Guest towel unit
40500215	4 Guest towel unit



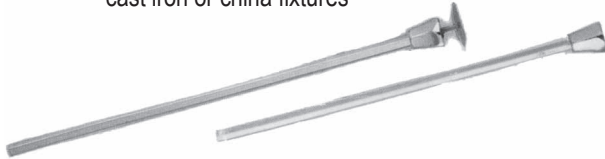
RETRACTABLE CLOTHESLINE

PART #	DESCRIPTION
40500151	Retractable clothesline, CP brass with 6 feet of nylon cord



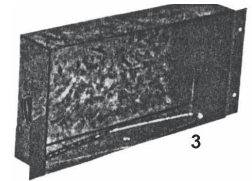
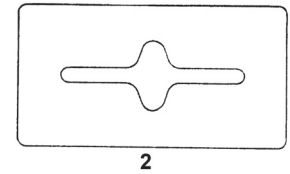
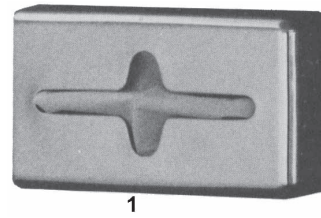
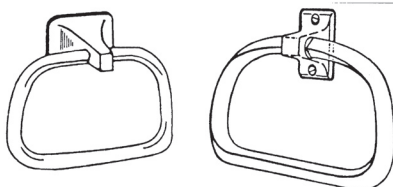
VANITY & LAVATORY LEGS

PART #	DESCRIPTION
80312602	28" Vanity leg, less cover flange
80312603	28" Vanity leg, less with 2" cover flange
40500127	3/4"x 28" Lavatory legs (pr) w/ escutcheon for cast iron or china fixtures



TOWEL RINGS

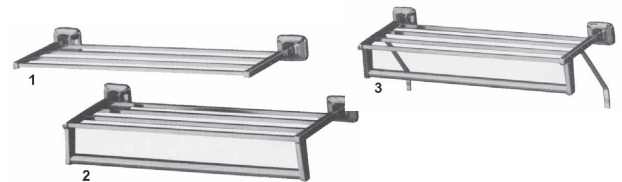
PART #	DESCRIPTION
80311402	Towel ring, plated plastic ring, concealed mount
80311403	Towel ring, clear plastic ring, concealed mount
80312117	Towel ring, clear plastic ring, exposed mount



TISSUE CABINETS

ITEM	PART #	DESCRIPTION
1	40500216	Surface mounted tissue cabinet
2	40500217	Snap-on tissue cover-chrome plated *
	40500218	Snap-on tissue cover-beige plastic *
	80443508	Snap-on tissue cover-white plastic *
3	80313504	Recess box with screws

*Tissue covers are for boxes that require 11-5/8" x 6-1/4" covers

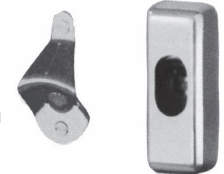


TOWEL SHELVES

ITEM	PART #	DESCRIPTION
1	40500219	18" Towel shelf
	40500230	24" Towel shelf
2	40500231	18" Towel shelf with bar
	40500233	24" Towel shelf with bar
3	3840752	24" Towel shelf with bar & bracket.

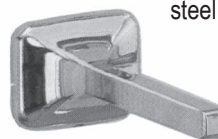
BOTTLE OPENERS

PART #	DESCRIPTION
40500234	Bottle opener
40500235	Bottle opener with cap catch



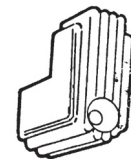
SHELF BRACKET

PART #	DESCRIPTION
80314402	Shelf bracket (pair) for 5" shelves, stainless steel or glass.



MIRROR CLIP

PART # 82009904



TOTAL MAINTENANCE SOLUTIONS

HOUSTON
800/392-5066

ORLANDO
800/327-3022

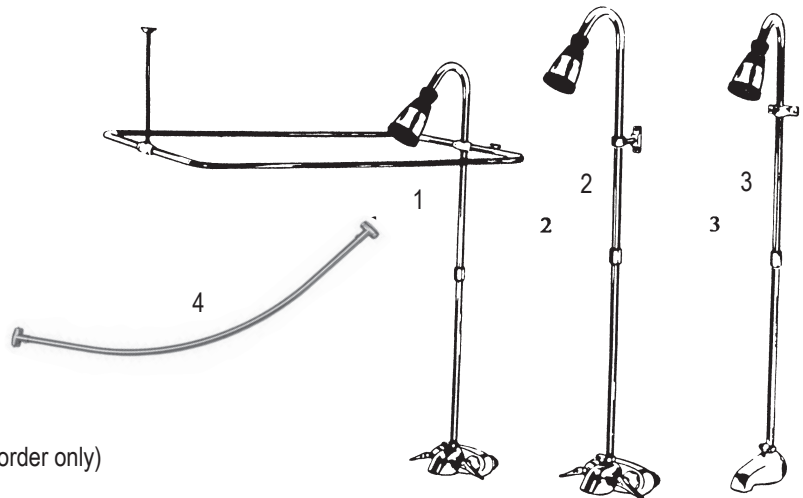
GREENVILLE
800/476-2212

LOOK FOR US ON THE WEB AT: www.TMSSouth.com

BATHROOM ACCESSORIES

ADD-ON SHOWERS

ITEM	PART #	DESCRIPTION
1	40500236	Add-On shower w/ CP Brass Frame
	40500093	Economy Add-On Shower – same as 80162010 but w/aluminum frame
2	80162012	Add-On Shower less frame
3	80162014	Add-On Shower with diverter spout less faucet
	80162016	Add-On Shower with code spout
	40100225	Faucet for 80162012
	40520073	Tub spout for 80165006

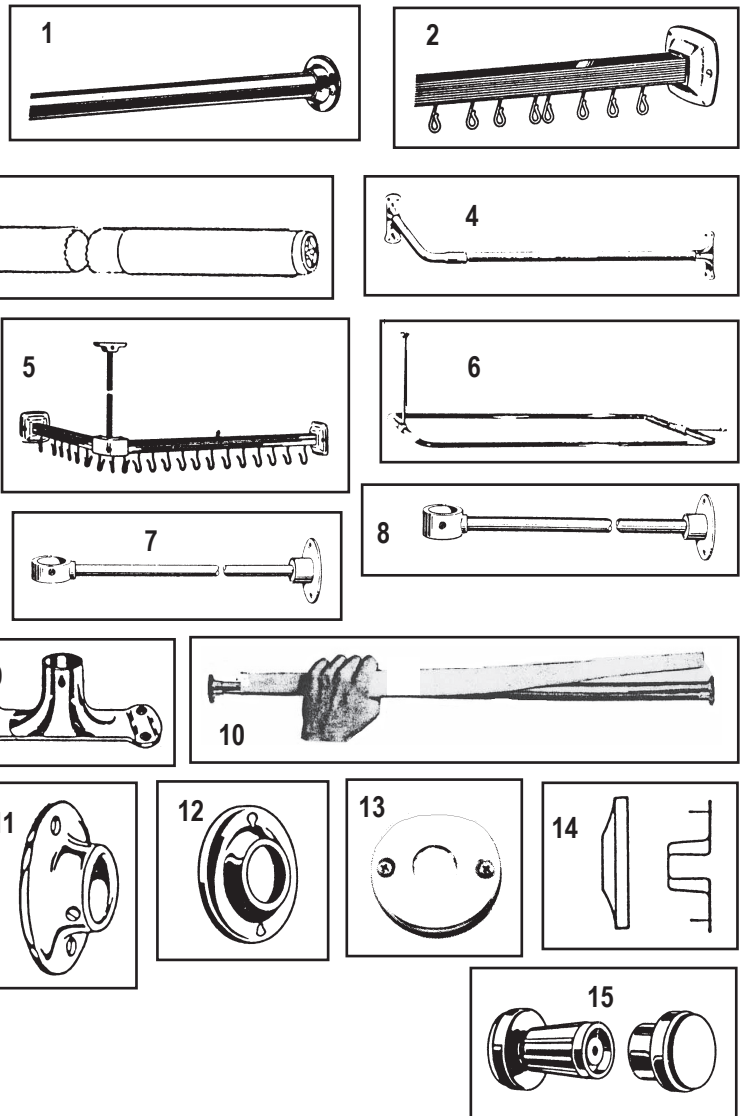


CONTOURED SHOWER RODS

4	80160190	Chrome contoured shower rod
	80160193	Satin nickel contoured shower rod
	80160191	White contoured shower rod (special order only)

SHOWER RODS & ACCESSORIES

ITEM	PART #	DESCRIPTION
1	40500149	5 Ft. Aluminum shower rod
	80311765	5 Ft. 1" Stainless Steel shower rod
	40500237	6 Ft. Aluminum shower rod
2	40500238	5 Ft. Track shower rod w/ flange & hooks
3	80071802	5 Ft. Alum. Adjustable shower rod no flange required
4	80161802	5 Ft. Corner shower rod
	80161806	5 Ft. Economy corner shower rod
	80161804	5-1/2 Ft. Corner shower rod
5	80161808	5-1/2 Ft. Corner track type shower rod
6	40500309	Shower frame (24" x 42")
	80161811	Economy shower frame (27"x42")
7	80161812	Ceiling support 3/8" x 36" CP Brass for shower frame
8	80161814	Riser support for 5/8" OD tubing – 12" long
9	40500241	Corner shower frame flange pair
10	80001910	White shower rod cover
	80001912	Brown shower rod cover
	80001914	Blue shower rod cover
	80001916	Yellow shower rod cover
11	80311810	Cast CP Zamak flng pr 1-1/4" rod with set screw
	40500242	Cast CP Zamak flng pr 1" rod with set screw
12	80731914	Shower flange pair 1" rod with set screw
13	80311812	Polished S/S flng pr 1-1/4" rod
	80311808	Polished S/S flng pair 3" dia for 1" rod
14	40500243	Concealed flange pair – 1" rod
15	40500150	Expan-Tite CP shower rod holder
	80731912	Rod pad for Expan-Tite holder
	80160190	Chrome "contour" rod (not shown)
	80160191	White "contour" rod (not shown)
	80160193	Satin nickel "contour" rod (not shown)



**TOTAL
MAINTENANCE
SOLUTIONS**

HOUSTON
800/392-5066

ORLANDO
800/327-3022

GREENVILLE
800/476-2212

LOOK FOR US ON THE WEB AT: www.TMSSouth.com

BATHROOM ACCESSORIES

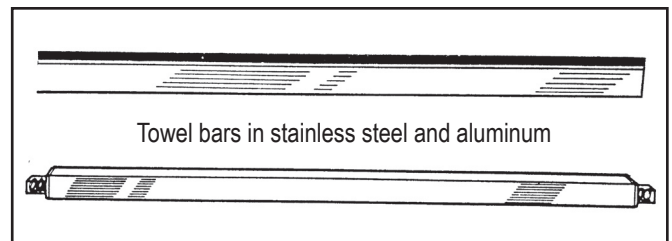
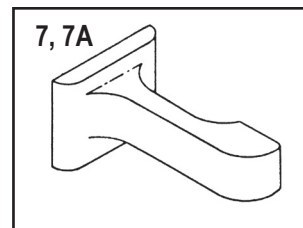
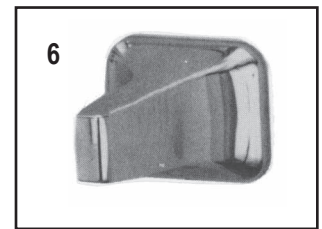
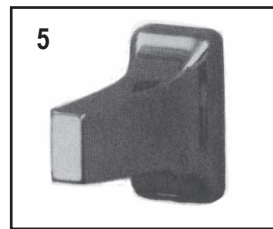
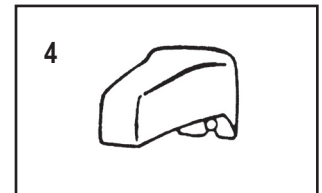
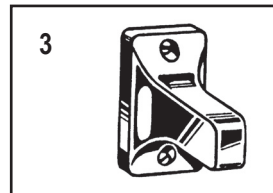
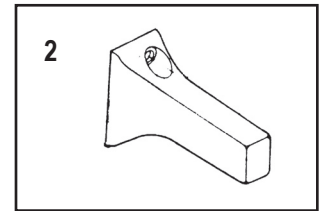
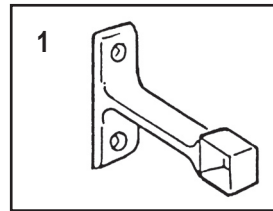
TOWEL POSTS

ITEM	PART #	DESCRIPTION
1	40500147	5/8" Towel bar post-Thrift-exposed screw mounting
2	80000220	5/8" Towel bar post-exposed screw mounting
3	40500245	5/8" Towel bar post- Budgeteer-exposed screw mounting
4	80310410	5/8" Towel bar post-Suburbia-exposed screw mounting
5	80310409	3/4" Towel bar post- Caprice-concealed mounting
6	40500084	3/4" Towel bar post- Futura- concealed mounting
	80310405	Same as 80310404 in Antique Brass
	80310407	Same as 80310404 in Polished Brass
7	80000424	3/4" Towel bar post-concealed mounting
7A	40500133	Toilet tissue holder

TOWEL BARS

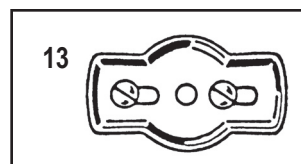
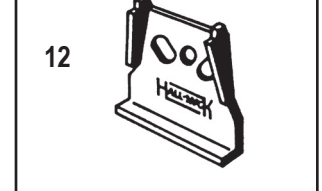
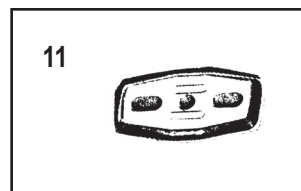
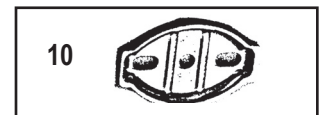
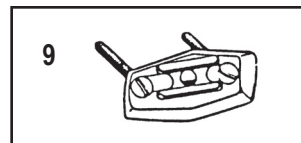
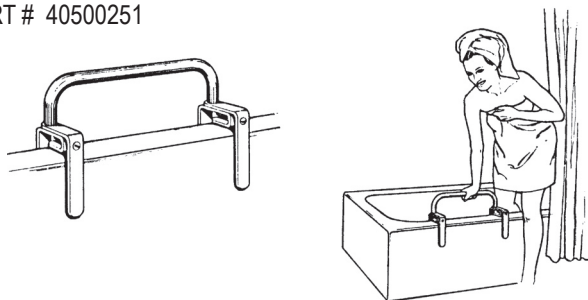
ITEM	PART #	DESCRIPTION
8	40500107	5/8" x 24" Clear replacement towel bar
	80310616	5/8" x 24" White replacement towel bar
9	40500247	Wall plate w/ screws for Franklin Brass 1200, 1300 & 1400 series
	40500248	Set screw for 1400 series
	80319908	Set screw for 1200 & 1300 series
10	80269930	Wall plate – Donner- w/ mounting screws less set screw
	80319931	Set screw
11	80269932	Wall plate- Donner – w/ mounting screws and set screw
12	80501002	Hall-Mark wall plate w/ mounting screws and set screw
	80501004	Set screw for Hall-Mark
13	80505002	Miami-Carey wall plate w/ mounting screws
	80505004	Set screw for Miami-Carey
	80319115	Mounting bracket (1)- Taymor
14	80501115	Wall plate with mounting screws – fits most imports w/ concealed mounting
	80501116	Set screw for above

SIZE	POLISHED STAINLESS	POLISHED ALUMINUM	POL. BRASS ALUMINUM	ANT. BRASS ALUMINUM
5/8" x 18"	80310602	40500249		
5/8" x 24"	80310604	40500157		
5/8" x 30"	80310606	80000606		
3/4" x 18"	40500148	40500250	80508418	80509418
3/4" x 24"	40500126	40500156	80508424	80509424
3/4" x 30"	80310612	80000612	80310615	80310617
3/4" x 36"	80310613			



TUB SAFETY BAR

Safe support for getting in or out of bathtub...helps prevent accidental falls. Adjustable to fit most tubs. Comes with tub protection pads. Constructed of 1" non-corrosive anodized aluminum non-slip safety bar with 1/4" x 1/4" anodized aluminum extruded brackets. PART # 40500251



TOTAL MAINTENANCE SOLUTIONS

HOUSTON
800/392-5066

ORLANDO
800/327-3022

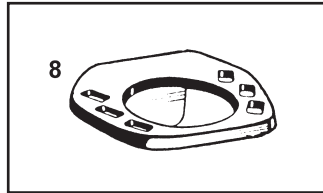
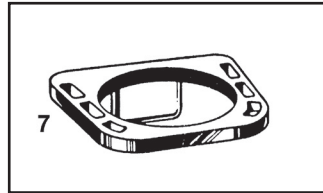
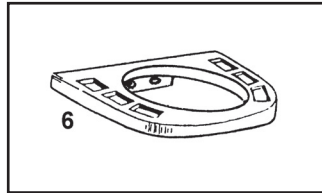
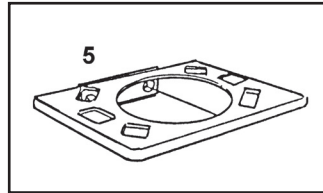
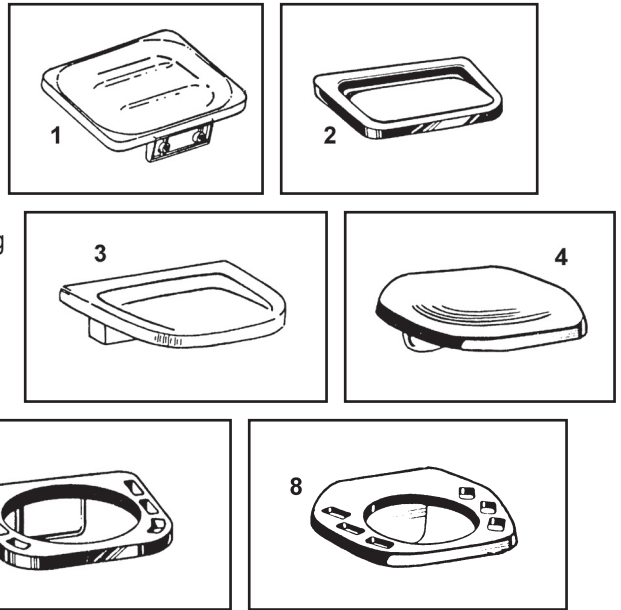
GREENVILLE
800/476-2212

LOOK FOR US ON THE WEB AT: www.TMSSouth.com

BATHROOM ACCESSORIES

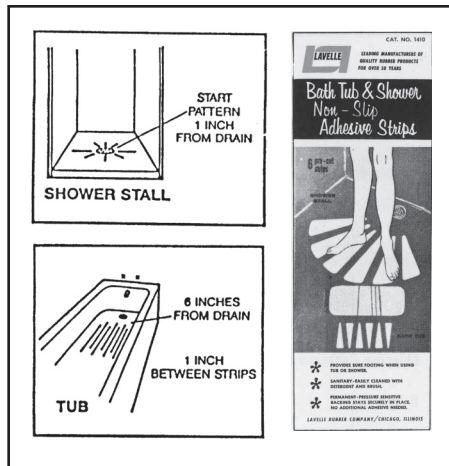
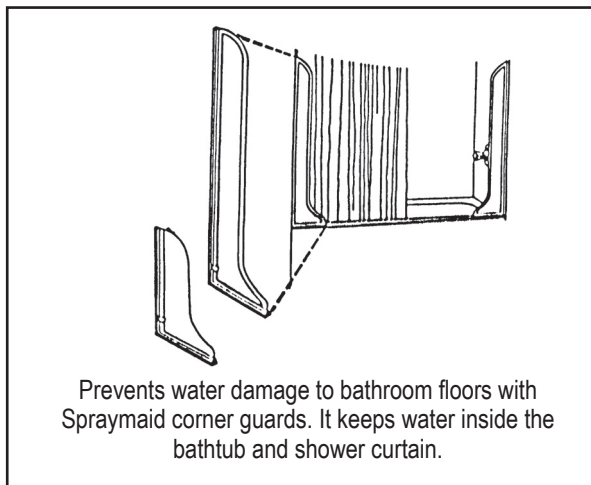
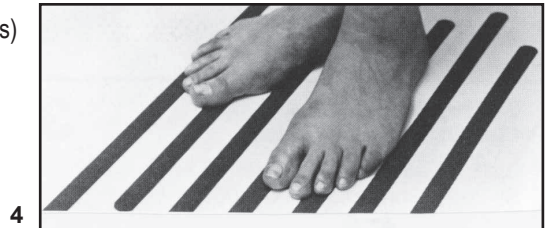
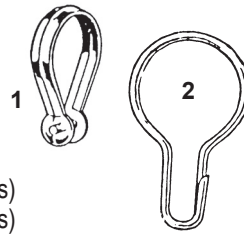
SOAP DISHES, BRUSH & TUMBLER HOLDERS

ITEM	PART #	DESCRIPTION
1	80311006	Soap dish, Thrift – exposed mounting
2	40500252	Soap dish, Budgeteer – exposed mounting
3	80311002	Soap dish, Caprice – concealed mounting
4	40500253	Soap dish, Futura – concealed mounting
	80311005	Soap dish, Futura – concealed mounting-Pol. Brass
5	40500154	Brush & Tumbler holder – Thrift- exposed mounting
6	40500254	Brush & Tumbler holder – Budgeteer – exposed mounting
7	80311202	Brush & Tumbler holder – Caprice – concealed mounting
8	40500155	Brush & Tumbler holder – Futura – concealed mounting
	80311205	Brush & Tumbler holder – Futura – concealed mounting, polished brass



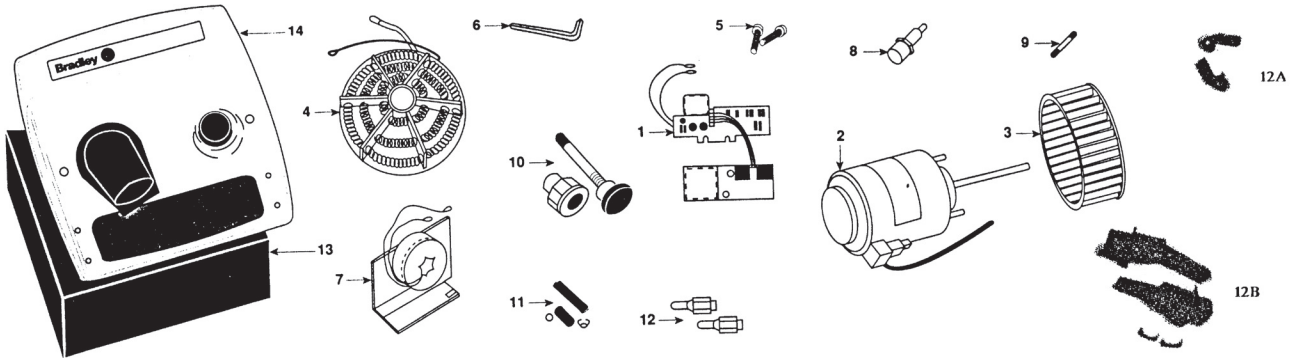
SHOWER CURTAINS & ACCESSORIES

ITEM	PART #	DESCRIPTION
1	40500256	Clear vinyl shower curtain hook
	40500257	White vinyl shower curtain hook
2	40500258	Shower curtain hook
	40500145	Stainless steel shower curtain hook
3	80261000	30" (36") x 76" white duck cloth shower curtain (7 hooks)
	80261010	42" (48") x 76" white duck cloth shower curtain (9 hooks)
	80089534	30" (36") x 72" Anti-bacterial 10 oz. nylon reinforced vinyl stain-resistant & self deodorizing-Green color (7 hooks)
	80089535	42"(48") x 72" Same as above with 9 hooks
	80102400	42" (48") x 72" White vinyl (.008" thick) shower curtain (7 hooks)
4	80581002	Non-Slip adhesive strips 11-3/4" (6 pack)
5	40500259	Small Spraymaid
	40500260	Large Spraymaid
6	40500261	Safety-Walk adhesive strips 3/4" x 17" (50 pack) white
	40500262	Safety-Walk adhesive strips 3/4" x 17" (50 pack) clear



BATHROOM ACCESSORIES

REPLACEMENT PARTS FOR WORLD DRYER & AIRSTYLE DRYER



ITEM	PART #	DESCRIPTION
1*	80903002	ICS circuit board – 120V
	80903004	ICS circuit board – 230V
2	80901010	Motor – 115 volt
	80901012	Motor – 208/230 volt
3	80901020	Blower wheel – 3" diameter
4	80901030	Heating element – 115V – 20 amp
	80901032	Heating element – 208/230V – 20 amp
5	80901040	Tamper proof screw – surface cover
	80901042	Tamper proof screw – recessed cover
6	80901044	Wrench
7	80901050	Switch/Timer – 115V – 30 sec – 60Hz
	80901052	Switch/Timer – 208/230V – 30 sec – 60Hz
	80901054	Switch/Timer – 115V – 40 sec – 60Hz
	80901056	Switch/Timer – 115V – 80 sec – 60Hz
	80901058	Switch/Timer – 208/230V – 80 sec – 60Hz

ITEM	PART #	DESCRIPTION
8	80901060	Fuse holder
9	80901062	Fuse – 2 Amp Glass
10	80901070	Pushbutton assembly kit (complete button/bearing assy.)
11	80901072	Spring & retaining clips
12	80901080	Brushes – GE w/ white cartridge
	80901082	Motor brush clamps (GE w/ cartridge)
12A	80901086	Brushes – GE, World w/ caps
12B	80901088	Brushes – World w/ cartridge
13	80901090	Wall box – recessed units
14		Cover – specify model number

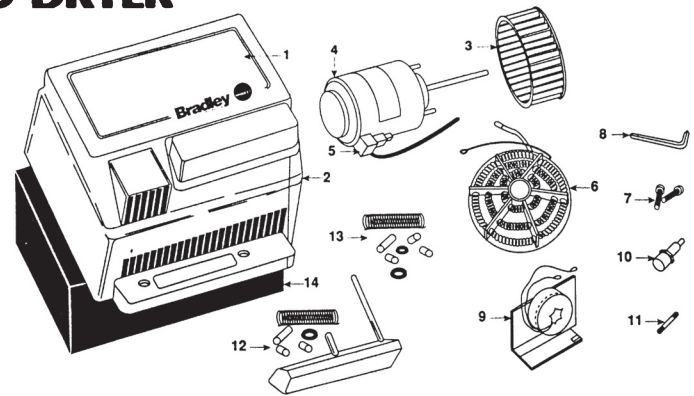
*For No-Touch units only



REPLACEMENT PARTS FOR AIRSPEED DRYERS

ITEM	PART #	DESCRIPTION
1		Insert panel – specify finish/color/decoration
2	80902004	Cover assembly – satin chrome
	80902006	Cover assembly – white finish
3	80902010	Blower wheel – 4-3/4" diameter
4	80902020	Motor kit 120V – 60Hz
	80902022	Motor kit 208/240V – 60Hz
5	80902024	Capacitor 120V
6	80902026	Capacitor 208/240V
	80902030	Heating element – 120V
	80902032	Heating element – 208V
	80902034	Heating element – 240V
7	80901040	Tamper proof cover screw
8	80901044	Wrench
9	80901050	Switch/Timer- 120V- 30 sec- 60Hz
	80901052	Switch/Timer- 208/240V- 30 sec- 60Hz
	80901054	Switch/Timer- 115V- 40 sec- 60Hz
	80901056	Switch/Timer- 115V- 80 sec- 60Hz
	80901058	Switch/Timer- 208/240V- 80 sec- 60Hz
10	80901060	Fuse holder
11	80901062	Fuse – 2 Amp

WORLD DRYER



12	80902050	Pushbutton assembly
13	80902052	Spring & Bumper kit
14	80902060	Wall box – recessed units

PARTS SHOWN ARE FOR DRYERS MANUFACTURED BY WORLD DRYER AND DISTRIBUTED UNDER THE WORLD DRYER NAME AS WELL AS BRADLEY, BOBRICK AND OTHER ACCESSORY MANUFACTURERS.



TOTAL MAINTENANCE SOLUTIONS

HOUSTON
800/392-5066

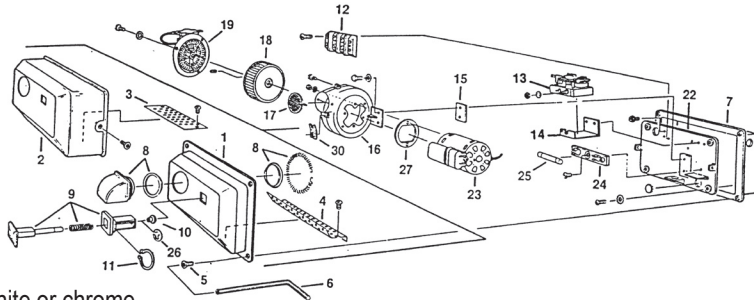
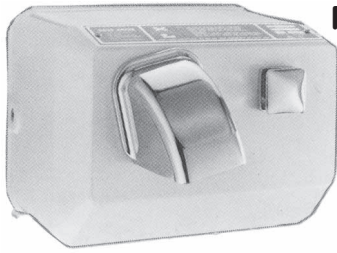
ORLANDO
800/327-3022

GREENVILLE
800/476-2212

LOOK FOR US ON THE WEB AT: www.TMSSouth.com

BATHROOM ACCESSORIES

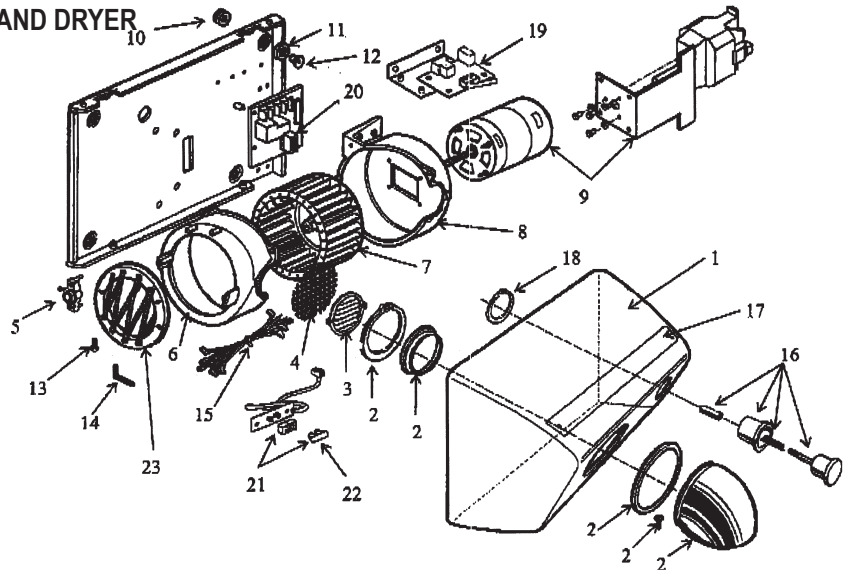
REPLACEMENT PARTS FOR EXCELL DRYERS



ITEM	PART #	DESCRIPTION	ITEM	PART #	DESCRIPTION
1		Recessed cover assembly - white or chrome	16	80152024	Blower housing
2		Surface mounted cover assy. - white or chrome	17	80152026	Blower screen
3	80151006	Inlet screen - surface mounted	18	80152028	Blower wheel
4	80151008	Inlet screen - recessed	19	80152030	Heating element 110/120V
5	80151010	Tamper proof bolts (pr)		80152032	Heating element 208/230V
6	80151012	Wrench	21	80152040	Circuit breaker
7	80151014	Wall box	22		Wall plate
8	80151016	Nozzle (w/spring & washers)	23	80152044	Motor 110/120V
9	80151018	Pushbutton assembly - includes 10, 11, 26		80152046	Motor 208/230V
10	80151020	Pushbutton tip	24	80152048	Fuse holder
11	80151022	Pushbutton snap ring	25	80152050	Fuse 1.8 AMP 110/120V
12	80151024	Terminal block		80152052	Fuse .75 AMP 208/230V
13	80152004	Timer 110/120V - 3 min	26	80152060	Push-button E-ring
	80152006	Timer 208/230V - 3 min	27	80152062	Motor gasket
	80152008	Timer 110/120V - 3 min	28	80152064	Ceramic button
	80152010	Timer 208/230V - 3 min	30	80152066	Nozzle fixer
14	80152020	Timer bracket			
15	80152022	Blower housing mounting pad			

NOVA 5 AUTOMATIC/PUSHBUTTON MODEL HAND DRYER

ITEM	PART #	DESCRIPTION
1		Wall box (not shown) Complete cover assembly, pushbutton, white Complete cover assembly, automatic, white
2		Nozzle (5 pieces)
3		Grill, outlet
4		Mesh, outlet
5	80655215	Thermostat
6		Fan housing, left hand
7		Fan, blower
8		Fan housing, right hand
9		Motor, induction, 120V 50/60 Hz Motor, induction, 208V, 240 V 50/60Hz Motor, brush type, kit
10		Grommet, rubber
11		Washer, flat, 3/8" ID x 7/8"
12		Shoulder bushing
13		Screw, tamperproof
14	80655034	Security hex driver
15		Wiring harness
16	80655005	Pushbutton assembly
17		Nameplate
18		Circlip, pushbutton
19		Microswitch adjustable timer, 120V-240V
20		Circuit board, IR, 120V-240V - Automatic only
21	80655149	Sensor assembly (new one eye) - Automatic only Sensor assembly (2 red eyes - old type) - Automatic only



ITEM	PART #	DESCRIPTION
22		Lens, assembly - Automatic only
23	80655017	Element, 1700W, 120V - Heating Element
		Element, 1700W, 208V - Heating Element
		Element, 1700W, 240V - Heating Element
	80655049	Element, 2000W, 120V PLUS - Heating Element
		Element, 2000W, 208V PLUS - Heating Element
		Element, 2000W, 240V PLUS - Heating Element



**TOTAL
MAINTENANCE
SOLUTIONS**

HOUSTON
800/392-5066

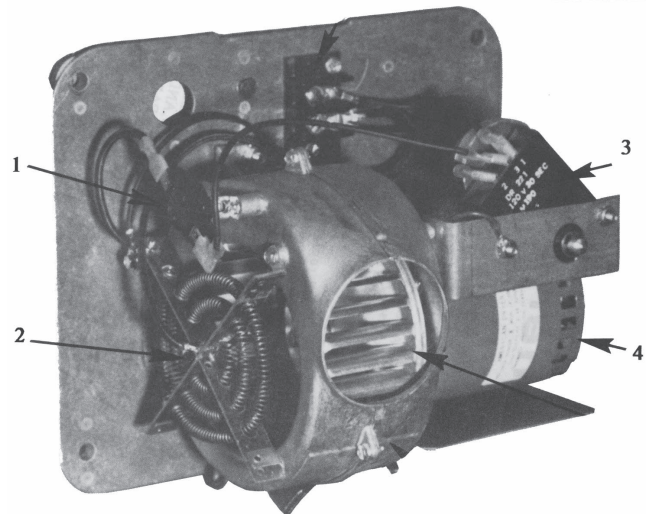
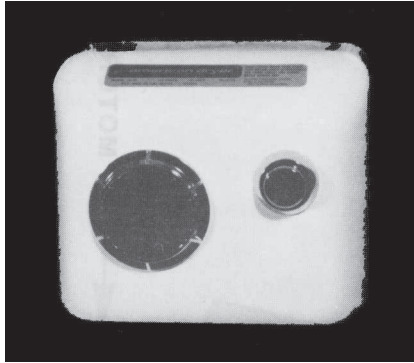
ORLANDO
800/327-3022

GREENVILLE
800/476-2212

LOOK FOR US ON THE WEB AT: www.TMSSouth.com



REPLACEMENT PARTS FOR DR SERIES DRYERS



ITEM	PART#	DESCRIPTION
1	80031004	Thermostat (circuit breaker)
2	80031008	Heating element model DR10
	80031010	Heating element model DR20
	80031012	Heating element model DR35
3	80032010	Timer, 115V-30 sec (DR20)
	80032012	Timer, 230V-40 sec (DR10)
	80032014	Timer, 230V-80 sec (DR10H,20H)
	80032016	Timer, 230V-30 sec (DR35)
	80032018	Timer, 230V-80 sec (DR35H)
4	80032030	Motto, 115V (DR10, DR20)
	80032032	Motor, 208/230V (DR35)

- * 80032040 Security screws & special wrench
- * 80032050 Special wrench
- * - not shown

Please note: Sensors (TOUCHLESS DRYERS) are available



REPLACEMENT PARTS FOR CF SERIES DRYERS (OBSOLETE 1982)

PART #	DESCRIPTION
80036002	Timer, 115V - 30 sec
80036004	Timer, 230V - 80 sec
80036006	Timer, 115V - 40 sec
80036008	Timer, 115V - 80 sec
80036010	Timer, 230V - 80 sec
80035020	Heating element - model CF-10
80035022	Heating element - model CF-20 & CF-20-8
80035024	Heating element - model CF-15
80035030	Circuit breaker
80035036	Motor - model CF-10 & CF-15
80035038	Motor - model CF-20
80035040	Motor - model CF-20-8
80035050	Lock with key

REPLACEMENT PARTS FOR AM SERIES DRYERS (OBSOLETE NOVEMBER 1988)

PART #	DESCRIPTION
80036002	Timer, 115V - 30 sec (AM20)
80036004	Timer, 230V - 30 sec (AM30,40,50)
80036006	Timer, 115V - 40 sec (AM10)
80036008	Timer, 115V - 80 sec (AM10H,20H)
80036010	Timer, 230V - 80 sec (AM30H,40H,50H)
80036020	Heating element 110V (AM10)
80036022	Heating element 110V (AM10)
80036024	Heating element 208/230V (AM30,40,50)
80036030	Circuit breaker
80036036	Motor 115V (AM10,AM20)
80036038	Motor 208/230V (AM30,40,50)
80036050	Security screws & special wrench
80036060	Special wrench



**TOTAL
MAINTENANCE
SOLUTIONS**

HOUSTON
800/392-5066

ORLANDO
800/327-3022

GREENVILLE
800/476-2212

LOOK FOR US ON THE WEB AT: www.TMSSouth.com

BATHROOM ACCESSORIES

RESTROOM SIGNS

BRAILLE/TACTILE SIGNS

PART #	DESCRIPTION
80691014	9" x 6" women's – brown
80691016	9" x 6" men's – brown
80691018	9" x 6" women's – blue
80691020	9" x 6" men's – blue



ADDITIONAL SIGNS ARE AVAILABLE

Call us with your requirements



SOAP SYSTEMS FROM TC™

TC SOAPWORKS™ MANUAL SOAP SYSTEM

Cost-effective – dispenses up to 1000 hand washes per 800 ml refill and 2000 hand washes per 1600 ml. Never drips or clogs. Easy to install. Promotes healthy handwashing.



PART # 40500263

TC ONESHOT® AUTOMATIC SOAP SYSTEM

Cost-effective. Controlled dosing reduces soap usage and waste. Easy to install.



PART # 40500264



SOAP REFILLS

Lotion hand soap with moisturizer and antibacterial refills also available. 800 ml or 1600 ml bottle

ODOR NEUTRALIZATION SYSTEMS FROM TC™

TC MICROBURST® 3000

Cost effective. Half the size of standard dispensers, 3000 sprays per refill. Easy to install. Microtrans® (odor neutralizer) breaks down and eliminates malodors.

PART # 40500129



TC MICROBURST® 9000

9000 sprays per refill, three times the amount of competition. 90 to 180 days of odor control per refill. Microtrans® (odor neutralizer) breaks down and eliminates malodors.

PART # 40500265



AIR CARE REFILLS

A variety of scents are available.



TOTAL MAINTENANCE SOLUTIONS

HOUSTON
800/392-5066

ORLANDO
800/327-3022

GREENVILLE
800/476-2212

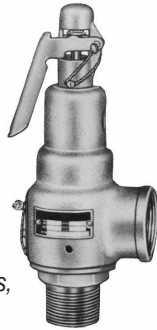
LOOK FOR US ON THE WEB AT: www.TMSSouth.com

HEATING & HYDRONICS

BRONZE SAFETY VALVES A.S.M.E. STANDARD, N.B. CERTIFIED

BRONZE SAFETY RELIEF VALVES FOR AIR, STEAM, AND NON-HAZARDOUS GAS APPLICATIONS:

- STEAM BOILERS & GENERATORS
- AIR/GAS COMPRESSORS - Reciprocating or Rotary
- PRESSURE VESSELS containing steam, air or non-hazardous gas. Includes tanks, receivers, sterilizers and autoclaves
- PRESSURE LIMITS:
- STEAM to 250 PSIG 406 F
- AIR/GAS to 300 PSIG 300 F



STEAM PART #	AIR PART #	INLET MALE	OUTLET FEMALE	SETTING
59006054	59006154	1-1/4"	1-1/2"	150 PSIG
59006066	59006166	1-1/2"	2"	150 PSIG
59006080	59006180	2"	2-1/2"	150 PSIG

SAFETY RELIEF VALVES

For hot water heating boilers, heating systems and unfired pressure vessels, pressure cookers, steam kettles.

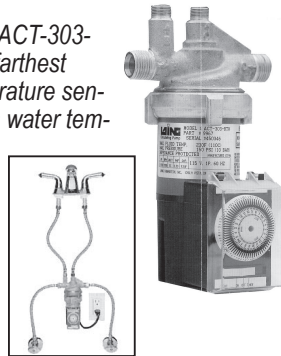


PART #	INLET	OUTLET	SETTING	CAP. LBS./HR
57205010	3/4"M	1"F	25 LB.	375
57205012	3/4"M	1"F	30 LB.	425
57205016	3/4"M	3/4"F	40 LB.	525
57205018	3/4"M	3/4"F	45 LB.	575

LAING AUTOCIRC

Instant hot water at every faucet. The ACT-303-BTW is for installation under the sink farthest from the water heater. A built in temperature sensor automatically turns pump on when water temperature in hot water line cools down to 85°F. Pump turns off automatically when water temperature reaches 95°F, insuring instant availability of shower warm water with maximum temperature hot water only seconds behind.

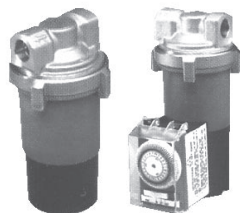
AUTOVENT PART # 80100137



LAING RECIRC - FOR NEW INSTALLATION

By adding a return line from the most distant water faucet to the existing water heater and installing a Laing Recirc pump with auto-air vent, hot water is constantly recirculating in the supply line. This model comes with and without a timer.

PART # 80100138 - Without timer
PART # 62050301 - With timer



LOW PRESSURE STEAM HEATING BOILER SAFETY VALVES

PART #	INLET	SETTING	CAP. LBS./HR
59201020	3/4"M	15 LB.	410
59201026	1"M	15 LB.	832
59201030	3/4"Mx3/4"F	8 LB.*	475
59201032	3/4"Mx3/4"F	12 LB.*	475
59201034	3/4"Mx3/4"F	15 LB.	475
59201040	1"Mx1"F	15 LB.	643
59201042	1-1/4"Mx1-1/2"F	15 LB.	1,200
59201044	1-1/2"Mx2"F	15 LB.	1,900
59201046	3/4"Mx3/4"F	15 LB.	400



*All valves under 15 lbs. are not A.S.M.E. approved.

ZOELLER PUMPS

DEWATERING & SUMP PEDESTAL PUMP

Model 81. 3 HP designed for indoor applications where motor is mounted above the pit cover and protected. Designed for 50 gpm @ 5 ft to 10 gpm @ 15 ft.

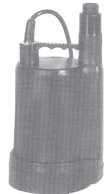
PART # 62991081



FLOOR SUCKER MODEL 42 1/6 HP

Use submerged or on any flat surface to pump clean water. Model 42 is adaptable for use with standard garden hose (fitting included) or 1" NPT.

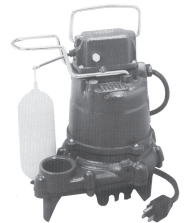
Total dynamic head flow **per hour**, 900 gallons @ 5 ft - 360 gallons @ 15 ft.
PART # 62991075



MIGHTY-MATE MODEL 53 CAST IRON

SUBMERSIBLE PUMP FOR DEWATERING (SUMP) OR EFFLUENT (SEPTIC TANK SYSTEMS) Non-clogging vortex impeller passes 1/2" solids. Float operated, submersible with 9 ft. cord plug. Total dynamic head/capacity 43 gpm @ 5 ft. to 19 gpm @ 15 ft. 1/3 HP 115V with 1-1/2" NPT discharge.

PART # 80100136

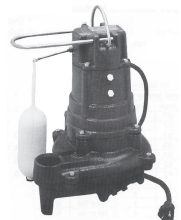


FLOW-MATE MODEL 137 CAST IRON

SUBMERSIBLE PUMP FOR SEPTIC TANKS - LOW PRESSURE PIPE - EFFLUENT OR DEWATERING.

Non-clogging vortex impeller passes 5/8" solids. Float operated with 10 ft cord plug. Total dynamic head/capacity 93 gpm @ 5ft. - 8 gpm @ 25 ft.

PART # 62991050



ZOELLER PUMP ACCESSORIES

PART # 62991085 - Sump Pump Hose
PART # 62991086 - Check Valve



TOTAL MAINTENANCE SOLUTIONS

HOUSTON
800/392-5066

ORLANDO
800/327-3022

GREENVILLE
800/476-2212

LOOK FOR US ON THE WEB AT: www.TMSSouth.com

HEATING & HYDRONICS

WATER HEATER T & P RELIEF VALVES A.S.M.E. SELF-CLOSING UP TO 100,000 BTU/HR

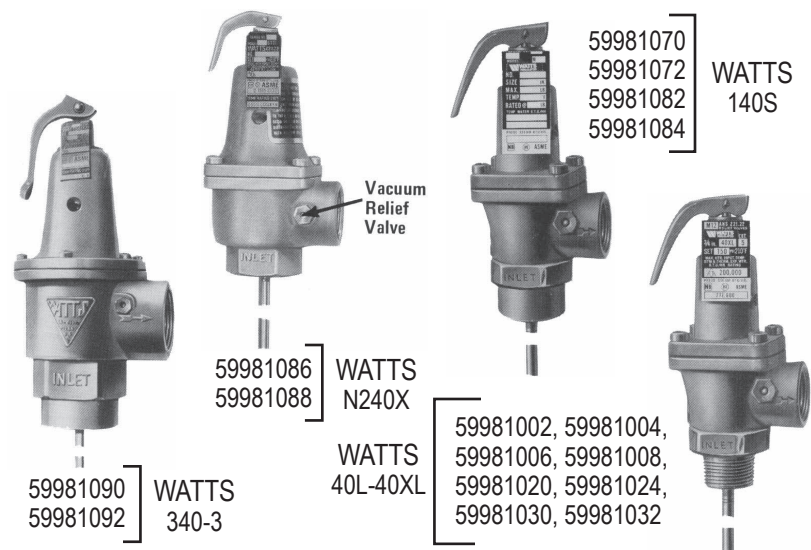
PART #	SIZE	SETTING	STEM
59981050	3/4"	125 LB.	2"
59981052	3/4"	150 LB.	2"
59981060	3/4"	75 LB.	4"
59981062	3/4"	100 LB.	4"
59981064	3/4"	125 LB.	4"
40585982	3/4"	150 LB.	4"
40585989	3/4"	175 LB.	4"
59981067	3/4"	150 LB.	8"
40581132	3/4"	150 LB.	3"



59981069
Extended inlet
for heaters
with extra
thick
insulation

T & P RELIEF VALVES FOR GAS, ELECTRIC OR OIL FIRED STORAGE WATER HEATERS

PART #	INLET	OUTLET	Therm. Length	Setting	AGA	A.S.M.E.
					Temp. Steam Rating BTU/HR	Pres. Steam Rating BTU/HR
59981002	3/4"M	3/4"F	3"	125 LB.	180,000	777,600
59981004	3/4"M	3/4"F	3"	150 LB.	180,000	777,600
59981070	3/4"F	3/4"F	3"	125 LB.	180,000	777,600
59981072	3/4"F	3/4"F	3"	150 LB.	180,000	777,600
59981020	3/4"M	3/4"F	5"	125 LB.	200,000	777,600
40585985	3/4"M	3/4"F	5"	150 LB.	200,000	777,600
59981024	3/4"M	3/4"F	5"	175 LB.	200,000	777,600
59981030	3/4"M	3/4"F	8"	125 LB.	200,000	777,600
59981032	3/4"M	3/4"F	8"	150 LB.	200,000	777,600
59981006	1"M	1"F	2"	125 LB.	450,000	1,155,000
59981008	1"M	1"F	2"	150 LB.	450,000	1,155,000
59981082	1"F	1"F	3"	125 LB.	570,000	1,670,000
59981084	1"F	1"F	3"	150 LB.	570,000	1,670,000
59981086	1"F	1"F	6"	125 LB.	730,000	2,195,000
59981088	1"F	1"F	6"	150 LB.	730,000	2,195,000
59981090	1-1/2"F	1-1/2"F	3"	125 LB.	1,150,000	3,450,000
59981092	1-1/2"F	1-1/2"F	3"	150 LB.	1,150,000	3,450,000



A.S.M.E. WATER PRESSURE SAFETY RELIEF VALVES

Bronze body safety relief valves for pressure protection only of all types of hot water heating boiler equipment. Pressure range 30-150 LBS.

PART #	SIZE	SETTING
80100053	3/4"F	30 LB.
80100055	3/4"F	75LB.
59981206	3/4"F	125 LB.
80100057	3/4"F	150 LB.
80100058	1"F	30 LB.
80100060	1"F	75 LB.
59981212	1"F	90 LB.
59981214	1"F	125 LB.
59981216	1"F	150 LB.
59981218	1-1/4"F	30 LB.
59981220	1-1/4"F	125 LB.
59981222	1-1/4"F	150 L.B.
80100063	1-1/2"F	30 LB.
59981226	1-1/2"F	125 LB.
59981228	1-1/2"F	150 LB.
59981229	2"F	30 LB.
59981232	2"F	125 LB.
59981234	2"F	150 LB.

Iron body safety relief valves with expanded outlets for hot water space heating boilers. Pressure range 30-75 LBS.

PART #	SIZE	SETTING
80100065	3/4"x1"	30 LB.
80100066	3/4"x1"	50 LB.
59981484	3/4"x1"	75 LB.
80100067	1"x1-1/4"	30LB.
80100068	1"x1-1/4"	50 LB.
59981490	1"x1-1/4"	75 LB.
80100071	1-1/2"x2"	30 LB.
80100072	1-1/2"x2"	50 LB.
59982000	1-1/2"x2"	75 LB.
80100073	2"x2-1/2"	30 LB.
80100074	2"x2-1/2"	50 LB.
59982006	2"x2-1/2"	75 LB.



BRONZE BODY
WATTS 174A



IRON BODY
WATTS 740



**TOTAL
MAINTENANCE
SOLUTIONS**

HOUSTON
800/392-5066

ORLANDO
800/327-3022

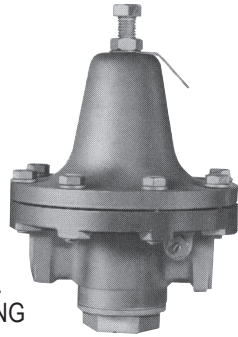
GREENVILLE
800/476-2212

LOOK FOR US ON THE WEB AT: www.TMSSouth.com

HEATING & HYDRONICS

STEAM PRESSURE REGULATOR - IRON BODY

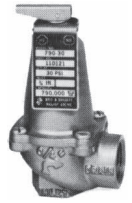
Sensitive response to reduced pressure changes and fullest possible volumes without appreciable reduced pressure changes. Used on oil lines, testing fixtures, autoclaves, steam tables, steam irons, single radiators, vulcanizers, sterilizers and process lines.



PART #	SIZE	ADJ. RANGE	STD. SETTING
59981148	1/2"	3-15 lbs.	10 lbs.
59981150	1/2"	10-30 lbs.	20 lbs.
59981152	3/4"	10-50 lbs.	25 lbs.
59981154	3/4"	30-140 lbs.	75 lbs.
59981156	1"	10-30 lbs.	25 lbs.
59981158	1"	30-140 lbs.	75 lbs.

B & G A.S.M.E. SAFETY RELIEF VALVES

Cast iron and bronze body valves are engineered in accordance with the requirements of Sec. IV of A.S.M.E code for heating boilers.



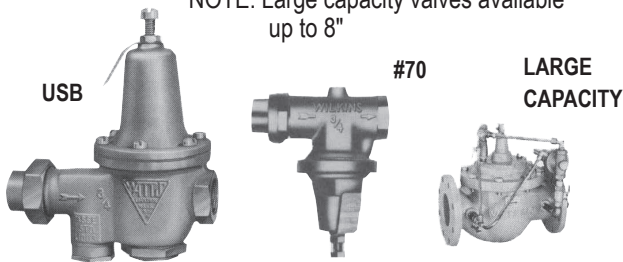
PART #	SIZE	SETTING	CAPACITY BTU/HR.	TYPE	MFG.#
60680128	3/4"x 3/4"	30 PSI	790,000	Bronze	790-30
60680129	1"x 1"	30 PSI	1,170,000	Bronze	1170-30

WATER PRESSURE REDUCING VALVES

Maximum supply pressure of 300 PSI.

PART #	SIZE	ADJ. RANGE	STD. SETTING	MFG. #	REPAIR KIT PART #
59981096	1/2"	25-75 PSI	50 PSI	U5B	59981443
59981098	3/4"	25-75 PSI	50 PSI	U5B	59981444
59981099	3/4"	10-35 PSI	30 PSI	U5BLP	
40585981	1/2"	25-75 PSI	50 PSI	#70	59951240
40300166	3/4"	25-75 PSI	50 PSI	#70	59951241
40300194	1"	25-75 PSI	50 PSI	#70	59951243

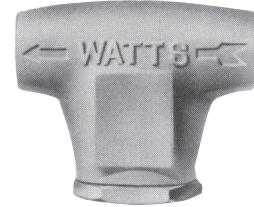
NOTE: Large capacity valves available up to 8"



STRAINERS - FOR WATER & STEAM SERVICE

V-TYPE water strainer, S/S screen, up to 250 PSI, cast bronze body.

PART #	SIZE
59981288	1/4"
59981290	3/8"
59981292	1/2"



"Y"-TYPE water & steam service strainer, 20 mesh S/S screen, WWP 250 PSI @ 210 F, WSP 125 lbs. @ 400 F, bronze body.

PART #	SIZE
59981296	1/2"
59981298	3/4"
40585987	1/4" Plastic
59981300	1"
59981302	1-1/4"
59981304	1-1/2"
59981306	2"



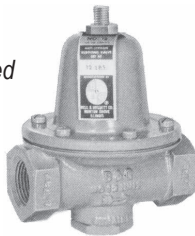
NOTE: Strainers for liquid & steam service up to 8" flanged are available. Also screens are available in various mesh sizes.

PRESSURE REDUCING VALVES- B&G

LOW PRESSURE

These low pressure reducing valves are equipped with a low inlet pressure check valve, removable strainers are suitable for use in buildings with a maximum of 3 floors.

PART #	SIZE	RANGE	SETTING	MFG. #
60680034	1/2"	10-25 PSI	12 PSI	B-38
60680036	3/4"	10-25 PSI	12 PSI	B7-12



HIGH PRESSURE

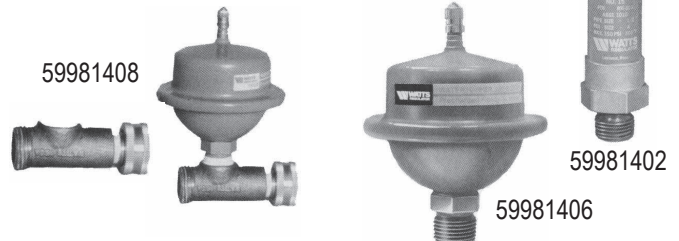
Protects plumbing fixtures against excessive line pressures and is equipped with a low inlet pressure check valve. These valves are fitted with removable strainer, extra large diaphragm and are factory adjusted to reduce incoming pressure of 125 PSI to a delivered pressure of 45 PSI.

PART #	SIZE	RANGE	SETTING	MFG.#
60680038	1/2"	25-60 PSI	45 PSI	6
60680039	3/4"	25-60 PSI	45 PSI	7

WATER HAMMER ARRESTORS

Used to end annoying noises from banging pipes and water hammer.

PART #	SIZE	DESCRIPTION
59981402	3/4"	Can be installed at any angle
59981406	1/2"	
59981408		Hose thread adaptor only. Use with 59981406 arrestor.
59981350	1/2"	Mini-arrestor



TOTAL MAINTENANCE SOLUTIONS

HOUSTON
800/392-5066

ORLANDO
800/327-3022

GREENVILLE
800/476-2212

LOOK FOR US ON THE WEB AT: www.TMSSouth.com

HEATING & HYDRONICS

DUAL CHECK BACKFLOW PREVENTERS

For water supply service or individual outlets. Can be installed horizontally or vertically. For low hazard applications. Residential system containment.

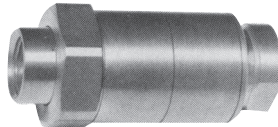
PART #	SIZE
40581714	3/4"
59981273	1"



DUAL CHECK BACKFLOW PREVENTERS

For in-line continuous pressure applications. Maximum pressure 150 PSI, Minimum pressure 10 PSI

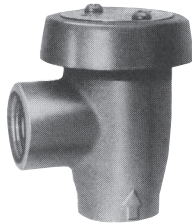
PART #	SIZE	FINISH
40585983	3/8"	Chrome
59981276	3/8"	Plain brass
40581274	3/8"	Chrome with adapter hose fittings
40350115	3/8" mpt x 3/4" fght swivel	
40350116	3/8" mpt x 3/4" mght	



ANTI-SIPHON VACUUM BREAKERS

For cold or hot water. For high hazard cross-connection not subject to continuous pressure- 6" above flood rim.

PART #	SIZE	FINISH	REPAIR KIT PART #
40110043	1/4"	Chrome	40110049
40110044	3/8"	Chrome	40110049
40110045	1/2"	Chrome	40110050
40110058	3/4"	Chrome	40110051
40110046	1"	Chrome	40110051
	1-1/4"		40110062



BACKFLOW PREVENTER W/ ATMOSPHERIC VENT

For exposed serviceable installations. Suitable for use under continuous pressure.

PART #	SIZE	FINISH	REPAIR KIT PART #
59981238	1/4"	Brass	59981482
59981240	3/8"	Chrome	59981482



LABORATORY FAUCET VACUUM BREAKER

Not for continuous pressure. Fits to standard outlet of gooseneck. Maximum pressure 125 PSI.

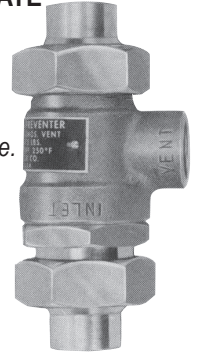
PART #	SIZE	FINISH	REPAIR KIT PART #
40581133	3/8"	Chrome	59981482



BE SURE TO CHECK OUR BACKFLOW PREVENTER CATALOG FOR ADDITIONAL MODELS & PARTS

BACKFLOW PREVENTER W/ INTERMEDIATE ATMOSPHERIC VENT

- For laboratory equipment, process tanks and sterilizers.
- For boiler feed lines to prevent backflow when supply pressure falls below system pressure.
- For hot or cold water & can be used under continuous pressure.

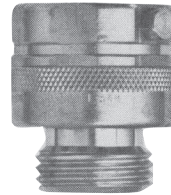


PART #	SIZE	REPAIR KIT PART #
59981243	1/2"	59981480
59981244	3/4"	59981480

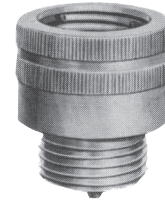
HOSE CONNECTION VACUUM BREAKERS

For back-siphonage protection

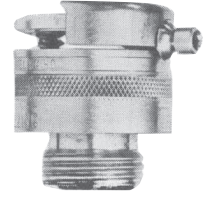
PART #	FINISH	TYPE
40110041	Chrome	Non-freezing areas
40110042	Brass	Non-freezing areas
59951238	Brass	Freezing areas
59951239	Chrome	Freezing areas
59981232	Brass	Non-removable



Non-freezing areas



Non-removable



Freezing areas

NEED A NEW WATER HEATER?
(Or just replacement parts!)
CALL US!



TOTAL MAINTENANCE SOLUTIONS

HOUSTON
800/392-5066

ORLANDO
800/327-3022

GREENVILLE
800/476-2212

LOOK FOR US ON THE WEB AT: www.TMSSouth.com

HEATING & HYDRONICS

TEMPERING VALVES

RESIDENTIAL INSTALLATIONS

Adjusting dial for "finger-tip" temperature control. Standard temperature range 120°F to 160°F. Max. temperature 210°F. Max pres. 150 PSI

REPAIR KIT

PART #	SIZE	PART #
59981282	1/2" SWT	59981586
59981284	3/4" SWT	59981586

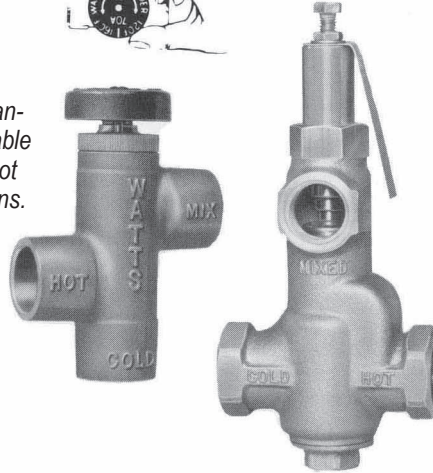


COMMERCIAL INSTALLATIONS

For use on large hot water supply systems. Standard temperature range 130°F to 180°F. Available for requirements below 130°F. Valves should not be used for "anti-scald" or "anti-chill" applications. Tempering valves are not designed to compensate for system pressure fluctuations.

REPAIR KIT

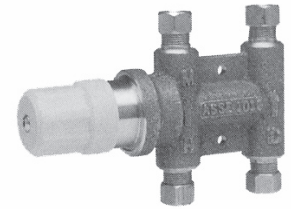
PART #	SIZE	PART #
59981310	3/4"	0877076
59981312	1"	0877076



UNDERSINK GUARDIAN

- ASSE 1016 listed
- Maintain, ± 3°F mixed water temp up to maximum outlet temp or 120°F
- Built in check valves
- Adjustable 80°F - 120°F
- Minimum flow rate required, 0.5 gpm
- Installs between stop valves and faucet

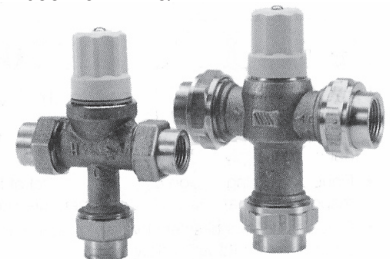
PART # 59982119 - Bronze
PART # 59982120 - Satin Chrome



THERMOSTATIC MIXING VALVES

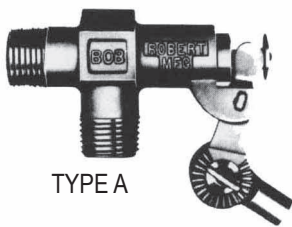
- For use in domestic water systems at the point of use
- ASSE 1016 listed

PART #	SIZE
40585984	1/2"
40581134	3/4"

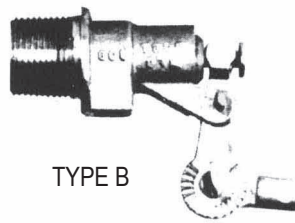


MECHANICAL FLOAT VALVES BOB BRASS - RED BRASS BODY

TYPE	PART #	SIZE	PLUNGER ASSEMBLY	SEAT DISC	CUP WASHER
A	60051001	3/8"x 3/8"	60050321	60050053	60051008
A	60051002	1/2"x 1/2"	60055241	60050063	60055063
A	60051003	3/4"x 3/4"	60052701	60050073	60055065
A	60051004	1"x 1"	60050351	60050083	60055067
B	60051201	3/8"	60050451	60059771	60055069
B	60051005	1/2"	60050451	60059771	60055069
B	60051203	3/4"	60050461	60051991	60055063



TYPE A



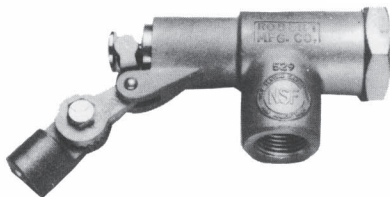
TYPE B



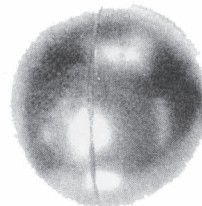
DISC



CUP



BOB BRASS STAINLESS STEEL VALVES AND REPAIR PARTS

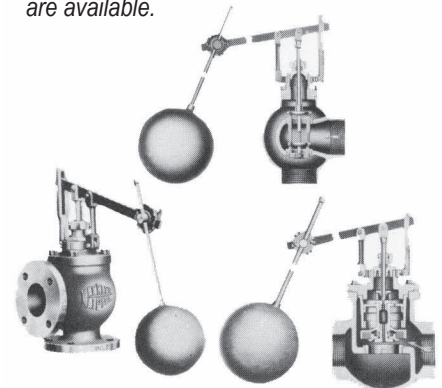


PLUNGER ASSEMBLY

LARGE CAPACITY FLOAT VALVES

O.C. KECKLEY

Size 1/2" thru 12". Operating pressures to 250 PSI. Rebuild kits, float balls and levers are available.



**TOTAL
MAINTENANCE
SOLUTIONS**

HOUSTON
800/392-5066

ORLANDO
800/327-3022

GREENVILLE
800/476-2212

LOOK FOR US ON THE WEB AT: www.TMSSouth.com

HEATING & HYDRONICS

AIR VALVE #1A

A float-type vent with adjustable port for true proportional venting. Port settings from (#1) slow to (#6) fast venting. 1/8" NPT angle connection. Operating pressure up to 1-1/2 PSI. Maximum pressure 10 PSI.



PART #
60680011

RADIATOR STEAM VENTS

AIR VALVE #70A

A float-type vent with a single non-adjusting port. This valve meets Fed. Spec. WW-V-151 for Type 1 Non-Adjusting Valves. 1/8" NPT angle connection. Operating pressure up to 11 PSI. Maximum pressure 15 PSI.



PART # 60680070

AIR VALVE #40

A float-type vent with a single non-adjustable port. For use on ordinary one-pipe system not requiring proportional venting. 1/8" NPT angle connection. Operating pressure up to 6 PSI. Maximum pressure 10 PSI.



PART # 80100026

AIR VALVE

Float-type vent with adjustable port. Port opening can be adjusted from (#1) slow to (#6) fast venting. Telescopic Siphon Tube. Designed for 1/4" NPT straight shank. Operating pressure up to 1-1/2 PSI. Maximum pressure 10 PSI.



PART # 60680012

CONVECTOR STEAM VENTS

AIR VALVE

Single-port, straight shank vent for small steam systems. Angle cut of telescopic siphon tube assures positive drainage. Maximum pressure of 10 PSI.

PART #	SIZE
60680041	1/8"
60680043	1/4"
60680045	1/2" FIP x 3/4" MIP



AIR VALVE

A disc-type vent with built-in check valve for automatic venting of convectors and radiators. 1/8" NPT. Maximum steam pressure 15 PSI.

PART # 60682263



AIR VALVE

A float-type vent with single non-adjustable port for use as a main vent on residential and other small one-pipe or two-pipe systems. 1/2" FIP x 3/4" MIP shank. Operating pressure up to 2 PSI. Maximum pressure 10 PSI.



PART # 60681413

MAIN STEAM VENTS

AIR VALVE

Float-type vent, each with a single non-adjustable port for relieving air from the mains of medium and large systems. 1/2" FIP x 3/4" MIP shank. Maximum pressure of 15 PSI.

PART #	OPER. PRES.
60680075	3 PSI
60680175	10 PSI



VACUUM VALVE

Float-type vent with single non-adjustable port for relieving air from the mains of medium and large size one-pipe vacuum systems. 1/2" FIP x 3/4" MIP shank. Operating pressure up to 3 PSI. Maximum pressure of 15 PSI.

PART # 60680076



QUICK VALVE

Thermostatic air vent for steam systems and process equipment. Operating on temperature changes only; does not close against water. Quick vent must be installed on a nipple 6" to 10" above horizontal return, which must be at least 18" above the boiler water line. 1/2" FIP x 3/4" MIP shank. Maximum operating pressure 25 PSI. PART # 60680004



SPECIAL STEAM VENTS

STEAM UNIT HEATER AIR VALVE

Float-type vent with single non-adjustable port especially designed for use with Steam Unit Heaters. Vents air when present, with rising, dropping, or steady pressure. 1/2" FIP x 3/4" MIP shank. Operating pressure up to 35 PSI. Maximum pressure of 35 PSI. PART # 60680074



TYCO HY-VENT

High capacity float vent. Ideal for use on large air separation equipment.

PART #	CAPACITY
60370400	1/8" 150 PSIG
60370418	3/4" 150 PSIG



**TOTAL
MAINTENANCE
SOLUTIONS**

HOUSTON
800/392-5066

ORLANDO
800/327-3022

GREENVILLE
800/476-2212

LOOK FOR US ON THE WEB AT: www.TMSSouth.com

HEATING & HYDRONICS

WATER MAIN VENT VALVE

Designed for use on high pressure hot or cold water mains and process applications. Cast brass body. Safety drain connection for discharging moisture entrained in the vented air. Tapped at the top for 1/8" NPT. Built-in check valve. 3/4" MPT shank. Maximum operating pressure of 150 PSI. Will withstand hydrostatic pressure of 450 PSI.



PART # 60680078

WATER VENTS

WATER VENT

Designed for efficient releasing of air in hydronic heating systems, such as baseboard radiators, convector radiators and small heating units. 1/8" MIP shank. Maximum pressure up to 35 PSI, Max temp. 230°F.



PART # 60680077

WATER MAIN VENT VALVE

Designed for use in hot or cold water mains and process applications. Tapped at top for 1/8" NPT. Safety drain connection for discharging moisture entrained in the vented air. Built-in check valve. 1/2" FIP x 3/4" MIP shank. Maximum operating pressure of 75 PSI. Will withstand hydrostatic pressure of 200 PSI.



PART # 60680079

WATER VALVE

Especially designed for removing air from convectors, baseboard and wall radiators. Safety drain connects at the top for discharging moisture entrained in the vented air. Fitting & ferrule for 3/16" OD tubing. Telescopic Siphon Tube. 1/8" NPT shank. Maximum operating pressure 30 PSI.



PART # 60680790

WATER VALVE

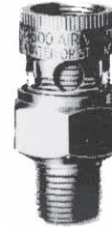
Designed for convectors and small mains. Safety drain connection at top for discharging moisture entrained in the vented air. Fitting and ferrule for 3/16" OD tubing. Telescopic Siphon Tube. 1/4" NPT shank. Maximum operating pressure 50 PSI.



PART # 60680791

AIR VALVE

A disc-type vent, with Built-In Check Valve, designed for venting systems either manually or automatically. Discs can be replaced without draining the system. 1/8" NPT shank. Maximum water pressure 50 PSI.



PART # 60682263

AIR CHAMBER

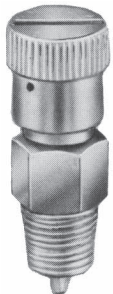
Designed for use on convectors which are not provided with built-in air chambers or air collection fittings. All brass construction and is provided with a drain tube. Ideal for use with AIR VALVE (60682263). 1/4" NPT shank, tapped at top for 1/8" NPT. Volume is 6 cubic inches. Maximum water pressure 100 PSI. Maximum steam pressure 25 PSI.



PART # 60680550

FAST VENTING EXPANSION TYPE

For continuous venting of hot water heating systems and chilled water cooling systems. Installed on mains, pipe lines, unit heaters, chillers, convectors, radiant panels and coils.

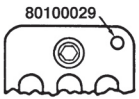


AUTO-VENT

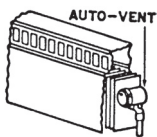
Vertical or horizontal mounting. 1/8" MIP connection. Up to 75 lbs. pressure. PART # 80100029

CONNECTOR FOR SAFE WASTE

PART # 60507000



For Free-Standing Radiators



60500067



AIR ELIMINATORS

For hot water heating & chilled water cooling systems – Float Operated



AUTO-VENT

Vertical mounting, 1/8" FIP con., 75 lbs. pressure. 4-3/8" x 2-1/4" PART # 60500007



AUTO-VENT

Vertical mounting, 1/8" MIP con., 75 lbs. pressure. 4-3/8" x 2-1/4" PART # 60500078



AUTO-VENT

Vertical mounting, 1/8" MIP con. Up to 35 lbs. pressure. 3-3/4" x 1-9/16" PART # 60500067



Same as above with 1/4" MIP connection. PART # 60500068

AUTO-VENT

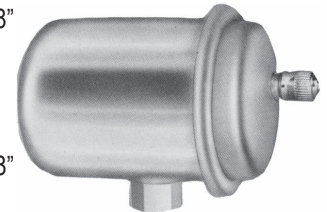
Vertical mounting, 1/4" MIP con., 150 lbs. pressure. 4-3/8" x 2-1/4" PART # 60500071



AUTO-VENT

horizontal mounting, 1/8" FIP connection. 50 lbs. pressure. 3" x 2-1/2" PART # 60500027

Same as above with 1/8" MIP connection. PART # 60500037



TOTAL MAINTENANCE SOLUTIONS

HOUSTON
800/392-5066

ORLANDO
800/327-3022

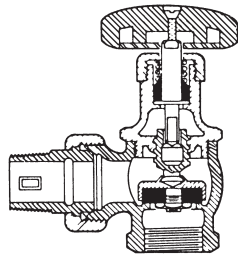
GREENVILLE
800/476-2212

LOOK FOR US ON THE WEB AT: www.TMSSouth.com

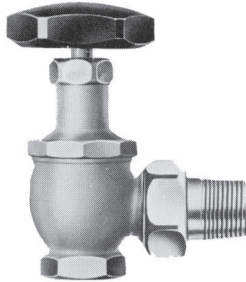
HEATING & HYDRONICS

STEAM & WATER SUPPLY VALVES

For one or two-pipe steam or water systems. Features non-rising handle and spring packed construction. Cast brass construction. Steam from 25" Hg. Vacuum to 150 PSIG, water up to 150 PSIG. Available in angle or straightway patterns.

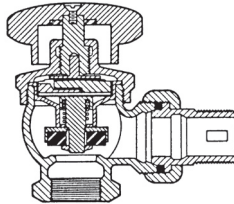


PART #	SIZE	TYPE
60685054	1/2"	Angle
60685057	3/4"	Angle
60689402	1"	Angle
60685072	1/2"	Straightway
60685075	3/4"	Straightway
60685078	1"	Straightway
60685081	1-1/4"	Straightway
60685084	1-1/2"	Straightway

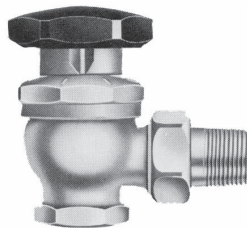


STEAM & WATER PACKLESS SUPPLY VALVES

For vacuum, steam and water systems. Cast brass construction. Non-rising handle and packless construction (diaphragm type). Steam pressures from 25" Hg. Vacuum to 125 PSIG. Water pressure up to 125 PSIG.

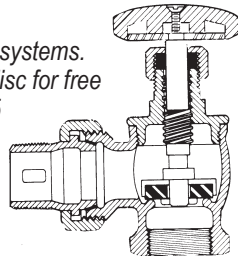


PART #	SIZE	TYPE
60685087	1/2"	Angle
60685090	3/4"	Angle
60685093	1/2"	Straightway
60685096	3/4"	Straightway

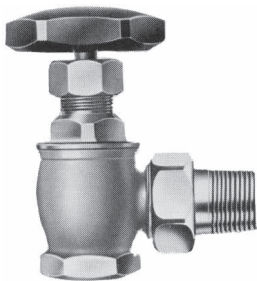


STEAM & WATER SUPPLY VALVES

For use on one & two-pipe steam or water systems. Cast brass construction. High lift of valve disc for free water drainage. Steam pressure up to 125 PSIG, water up to 150 PSIG.



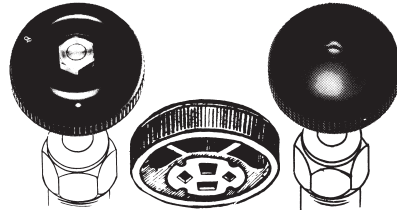
PART #	SIZE	TYPE
60689460	1/2"	Angle
60689461	3/4"	Angle
60689462	1"	Angle
60689463	1-1/4"	Angle
60689464	1-1/2"	Angle
60689465	2"	Angle



RADIATOR VALVE HANDLES

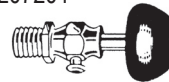
4-in-1 handles with adjustable plate which fits four different, standard size stem broaches is included with each handle. Handles are available in screw or nut style.

PART #	TYPE	O.D.	FITS SIZE
60261248	Screw	2-1/4"	1/4", 9/32", 5/16", 11/32"
60261255	Nut	2-1/4"	1/4", 9/32", 5/16", 11/32"
60261263	Screw	2-3/4"	11/32", 3/8", 13/32", 7/16"
60261271	Nut	2-3/4"	11/32", 3/8", 13/32", 7/16"



WOOD WHEEL AIR VENT

Bright plated. 1/8" MIP
PART # 60207201



LOOSE KEY AIR VENT

Bright plated. 1/8" MIP
PART # 60165126



VENT KEY

Heavy pattern
PART # 60165130

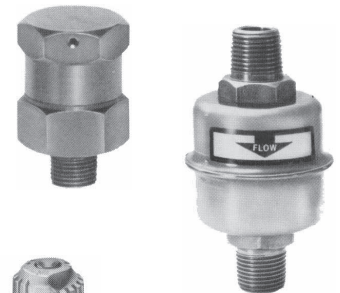


STEAM SPECIALTIES

TMS South can provide the full line of steam specialties from the following manufacturers. Please call us with your specific needs.

BARNES & JONES

- Low & Moderate Pressure Thermostatic Traps
- Float & Thermostatic Traps
- Compact Traps
- Vacuum Breakers

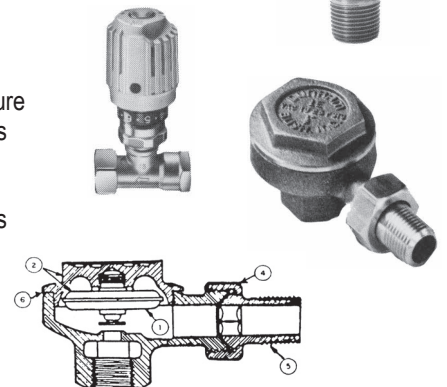


DANFLOS

- Non-Electric Thermostatic Radiator Valves

DUNHAM - BUSH

- Radiator Valves
- Low & High Pressure Thermostatic Traps
- Bucket Traps
- Float & Thermostatic Traps



TOTAL MAINTENANCE SOLUTIONS

HOUSTON
800/392-5066

ORLANDO
800/327-3022

GREENVILLE
800/476-2212

LOOK FOR US ON THE WEB AT: www.TMSSouth.com

HEATING & HYDRONICS

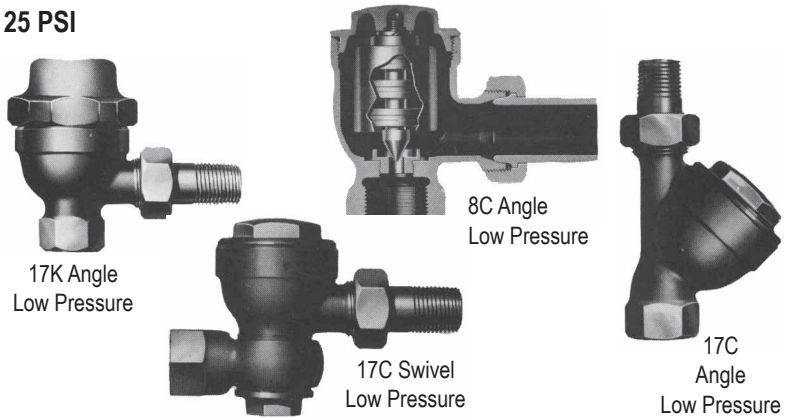
THERMOSTATIC TRAPS

LOW PRESSURE/MAXIMUM OPERATING PRESSURE 25 PSI

WATER HAMMER RESISTANT TRAPS

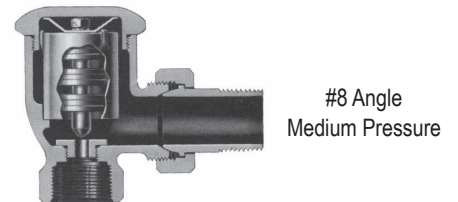
PART #	MFG.#	SIZE	TYPE	SERVICE KIT
NLA	17K	1/2"	Angle	NLA
60681572	17K	1/2"	Swivel	NLA
60681523	17K	1/2"	Vertical	NLA

PART #	MFG.#	SIZE	TYPE	SERVICE KIT
80100022	17C	1/2"	Angle	80100023
60681545	17C	1/2"	Swivel	80100023
60681551	17C	1/2"	Vertical	80100023
80100024	8C	3/4"	Angle	80100025
60681533	8C	3/4"	Straightway	80100025
60681530	9C	1"	Angle	60681175



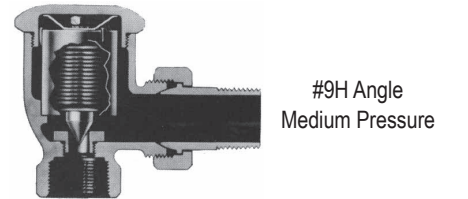
MEDIUM PRESSURE/MAXIMUM OPERATING PRESSURE 50 PSI

PART #	MFG.#	SIZE	TYPE	SERVICE KIT
60681506	8	1/2"x 1/2"	Angle	60680063
60681509	9	3/4"x 3/4"	Angle	60680105
60681512	9	1"x 1"	Angle	60680105



HIGH PRESSURE/MAXIMUM OPERATING PRESSURE 125 PSI

PART #	MFG.#	SIZE	TYPE	SERVICE KIT
60681515	8H	1/2"x 1/2"	Angle	60680066
60681518	9H	3/4"x 3/4"	Angle	60680108
60681521	9H	1" x 1"	Angle	60680108

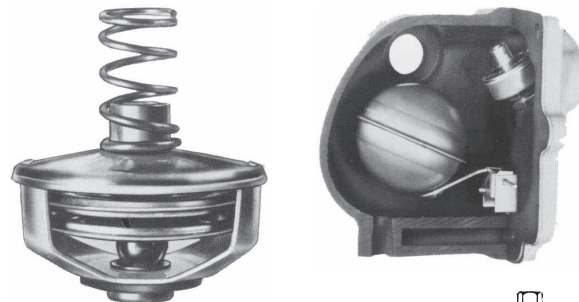


BARNES & JONES "CAGE UNIT" TRAP REPAIRS

Renew any steam trap in your system – even if the original trap is obsolete and the manufacturer is out of business. There is no need to take the trap off line. Replace just the interior for significant savings in time and labor cost. The following is a partial list of manufacturers for which "Cage Units" are available.

THERMOSTATIC TRAPS

American Sterilizer	ARCO	ADSCO
Barnes & Jones	Belknap	Braukman
Babcock & Becker	Broomell	Cashin-Thermoflex
Crane Valve Co.	Cromwell	Donnelly
Dunham-Bush	Fairbanks	Hoffman
Ideal	Jenkins	KELMAC
Johns Mansville	Marsh Traps	Milwaukee
Peerless	Sarco	Spirax
Sterling	Thermidaire	Trane Thermostatic
Terice	Twin City	Yarway



FLOAT & THERMOSTATIC TRAPS

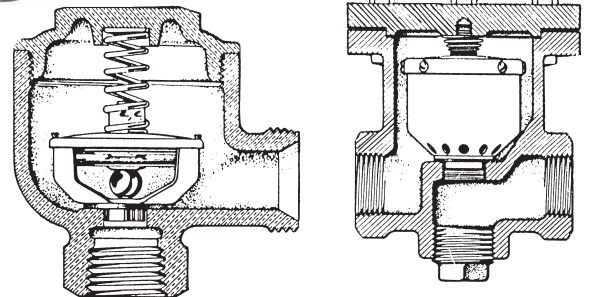
Barnes & Jones	Dunham-Bush	Hoffman
Sarco	Strong	Trane

DISC TRAP CONVERSIONS-MONEL BELLOWS

Erwell	Spirax Sarco	Yarway
--------	--------------	--------

DISC TRAP CONVERSIONS-STAINLESS STEEL BELLOWS

Erwell	Spirax Sarco	Yarway
--------	--------------	--------



To order a replacement "Cage Unit" please provide manufacturer, type of trap, model number and size.



**TOTAL
MAINTENANCE
SOLUTIONS**

HOUSTON
800/392-5066

ORLANDO
800/327-3022

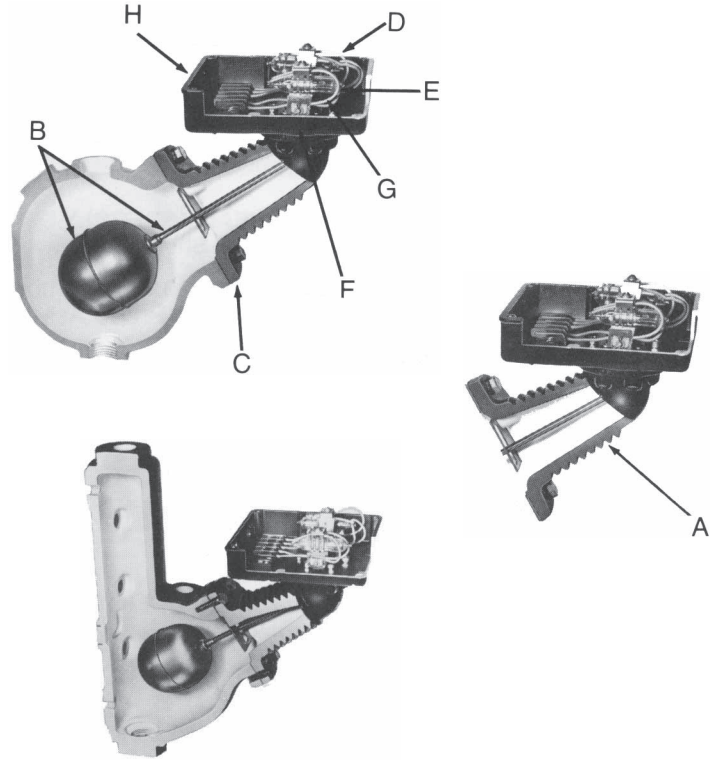
GREENVILLE
800/476-2212

LOOK FOR US ON THE WEB AT: www.TMSSouth.com

HEATING & HYDRONICS

PUMP CONTROL REPLACEMENT PARTS FOR SERIES 150 & 157

ITEM	PART #	DESCRIPTION
A	60173000	Complete Head Mechanism Automatic reset
	60173200	Complete Head Mechanism Manual reset
B	60685011	Float & Rod
C	60685014	Head Gasket
D	60348100	3-Wire Cut-off & Alarm Switch
E	60348300	2-Wire Cut-off & Alarm Switch
F	60325300	Bellows Base Gasket
G	60347900	Bellows Assembly with Gasket
H	60326950	Junction Box Cover
	60114400	Liquid Flow Switch (FS4-3) (not shown)

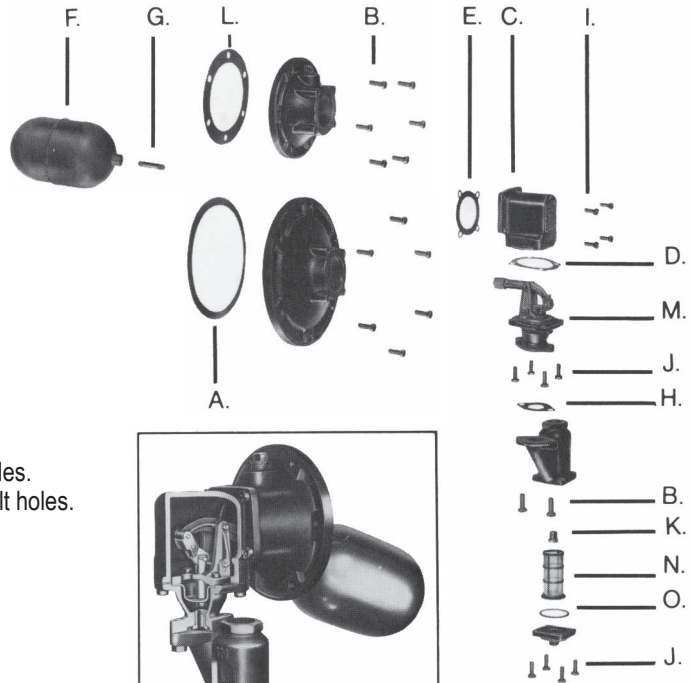


#157 same as # 150, except with water column type float chamber #157-M same as 157 except with manual reset cut-off switch.

WATER FEEDER REPLACEMENT PARTS FOR SERIES 21

ITEM	PART #	DESCRIPTION
A	60304100	Gasket for 221
B	60308800	Screw
C	60310600	Bracket
D	60310800	Gasket
E	60311100	Gasket
F	60311200	Float Assembly
G	60311400	Connector
H	60312900	Gasket
I	60313000	Screw
J	60313650	Screws (4)
K	60316100	Seat
L	60335400	Gasket for 21
M	60339500	Valve Assembly (includes H)
N	60339700	Screen (includes o-ring, cap & plug)
O		Square Cut O-Ring

Note: Model 21 has casting with 5-3/4" bolt circle & 7/16" bolt holes.
Model 221 has head casting with 8-1/2" bolt circle and 17/32" bolt holes.



ASSEMBLED SERIES 21

McDONNELL & MILLER REPAIR PARTS
The complete line of repair parts for all McDonnell & Miller controls is available. Please call with model number and we will be happy to supply you with parts diagrams.



**TOTAL
MAINTENANCE
SOLUTIONS**

HOUSTON
800/392-5066

ORLANDO
800/327-3022

GREENVILLE
800/476-2212

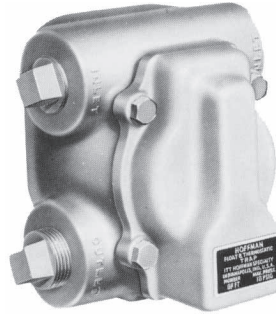
LOOK FOR US ON THE WEB AT: www.TMSSouth.com

HEATING & HYDRONICS

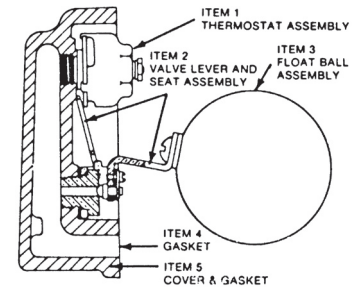
FLOAT & THERMOSTATIC TRAPS

An effective solution to trapping services which require continuous discharging of condensate and high venting capacity. The following traps are best suited for light to moderate condensate levels and range in size from 3/4" to 2". Traps are available in operating pressures from 0 to 175 PSIG.

PART #	SIZE	MAX PSI	MFG.#	SERVICE KIT	THERMOSTAT KIT
60682664	3/4"	15	55	60680129	60681108
60682665	1"	15	55	60681114	60681108
60682666	1-1/4"	15	55	60681117	60681108
60682667	1-1/2"	15	55	60681120	60681108
60682670	1"	30	550		60681108
60682671	1-1/4"	30	550	60681135	60681108
60682672	1-1/2"	30	550	60681138	60681108
60682675	1"	75	551	60681147	60681108
60682676	1-1/4"	75	551	60681153	60681108
60682677	1-1/2"	75	551	60681156	60681108
60682680	1"	125	552	60681165	60681111
60682681	1-1/4"	125	552	60681171	60681111
60682682	1-1/2"	125	552	60681177	60681111



Call for capacity charts.



SERVICE KIT – Contains items 1 thru 5
THERMOSTAT KIT – Contains items 1 & 4

INVERTED BUCKET TRAPS-CAST IRON

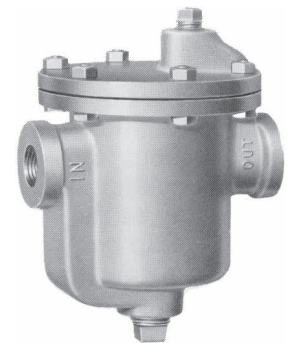
- Completely drains condensate and air at saturation temperature.
- Pressures up to 900 PSIG
- Available in cast iron, ductile iron, cast steel.

PART #	SIZE	SETTING	MFG.#	KIT*
60681870	1/2"	30 lbs.	601A	60681380
60682031	1/2"	75 lbs.	601A	60681383
60682034	1/2"	125 lbs.	601A	60681386
60681871	3/4"	30 lbs.	601A	60681380
60681872	3/4"	75 lbs.	601A	60681383
60681873	3/4"	125 lbs.	601A	60681386
60682073	3/4"	30 lbs.	603B	60680144
60682076	3/4"	75 lbs.	603B	60680147
60682079	3/4"	125 lbs.	603B	60680150
60682193	1"	30 lbs.	603B	60680144
60682196	1"	75 lbs.	603B	60680147
60682199	1"	125 lbs.	603B	60680150

- Withstands moderate water hammer.
- Capacities to 20,000 lb./hr.

* Kit contains complete cover assembly. All internal parts assembled to cover.

Please call for capacity charts or assistance in sizing a trap.

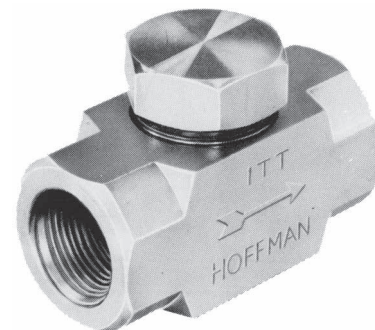


THERMODISC STEAM TRAPS

For tracing and drip line applications, unit heaters, small high pressure heat exchangers, sterilizers, and dryers. Teflon gasket option meets requirements of pharmaceutical and food processing industries. For pressures from 10 to 600 PSIG and temperatures to 750°F ... capacities to 2850 lbs./hr.

PART #	SIZE	MFG. #
60682724	3/8"	655
60682727	1/2"	656
60682730	3/4"	657
60682733	1"	658

Please call for capacity charts or assistance in sizing a trap.



**TOTAL
MAINTENANCE
SOLUTIONS**

HOUSTON
800/392-5066

ORLANDO
800/327-3022

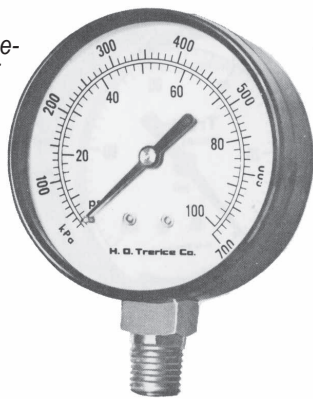
GREENVILLE
800/476-2212

LOOK FOR US ON THE WEB AT: www.TMSSouth.com

HEATING & HYDRONICS

PRESSURE GAUGES

For indicating pressures on steam, air, water, oil or any me-
that does not attack brass. Accuracy: 2% over middle half
of scale range, 3% over remainder.



dium

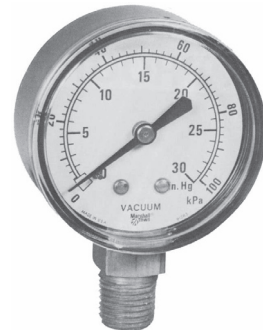
PART #	DESCRIPTION	RANGE
2" DIAL 1/8" CENT. BACK MT.		
56024030	Pressure gauge	0-60 PSI
56024035	Pressure gauge	0-100 PSI
56024040	Pressure gauge	0-160 PSI
56024045	Pressure gauge	0-200 PSI
2" DIAL 1/4" BOTTOM MOUNT		
56931820	Pressure gauge	0-15 PSI
56931825	Pressure gauge	0-30 PSI
56931835	Pressure gauge	0-100 PSI
56932640	Pressure gauge	0-160 PSI
56931845	Pressure gauge	0-200 PSI
2-1/2" DIAL 1/4" BOTTOM MOUNT		
56892010	Pressure gauge	0-5 PSI
56892020	Pressure gauge	0-15 PSI
80100036	Pressure gauge	0-30 PSI
80100037	Pressure gauge	0-60 PSI
80100038	Pressure gauge	0-100 PSI
80100041	Pressure gauge	0-160 PSI
80100042	Pressure gauge	0-200 PSI
80100043	Pressure gauge	0-300 PSI
56892055	Pressure gauge	0-400 PSI
56892060	Pressure gauge	0-600 PSI
56892065	Pressure gauge	0-1000 PSI
2-1/2" DIAL 1/4" CENT. BACK MT.		
56893020	Pressure gauge	0-15 PSI
56893025	Pressure gauge	0-30 PSI
56893030	Pressure gauge	0-60 PSI
56893035	Pressure gauge	0-100 PSI
56893040	Pressure gauge	0-160 PSI
56893045	Pressure gauge	0-200 PSI
56893050	Pressure gauge	0-300 PSI
56893055	Pressure gauge	0-400 PSI
56893060	Pressure gauge	0-600 PSI

PART #	DESCRIPTION	RANGE
3-1/2" DIAL 1/4" BOTTOM MOUNT		
56892220	Pressure gauge	0-15 PSI
56892225	Pressure gauge	0-30 PSI
56892230	Pressure gauge	0-60 PSI
56892235	Pressure gauge	0-100 PSI
56892240	Pressure gauge	0-160 PSI
56892245	Pressure gauge	0-200 PSI
56892250	Pressure gauge	0-300 PSI
56892255	Pressure gauge	0-400 PSI
56892260	Pressure gauge	0-600 PSI
56892265	Pressure gauge	0-1000 PSI
4-1/2" DIAL 1/4" BOTTOM MOUNT		
56892420	Pressure gauge	0-15 PSI
80100044	Pressure gauge	0-30 PSI
80100045	Pressure gauge	0-60 PSI
80100040	Pressure gauge	0-100 PSI
80100049	Pressure gauge	0-160 PSI
80100046	Pressure gauge	0-200 PSI
80100047	Pressure gauge	0-300 PSI
56892455	Pressure gauge	0-400 PSI
56892460	Pressure gauge	0-600 PSI
56892465	Pressure gauge	0-1000 PSI

VACUUM GAUGES

For indicating vacuum on vacuum pumps,
vacuum return lines and vacuum process-
ing equipment. Indicates vacuum from 0-30
in. of mercury.

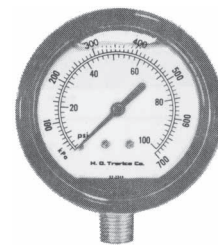
PART #	DESCRIPTION	RANGE
2-1/2" DIAL 1/4" BOTTOM MOUNT		
56892015	Vacuum gauge	0-30 In. Hg.
2-1/2" DIAL 1/4" CENT. BACK MT.		
56893015	Vacuum gauge	0-30 In. Hg.



LIQUID FILLED PRESSURE GAUGES

For installations where vibration is a
problem. Use on any pressure medium
that does not attack brass.

PART #	DESCRIPTION	RANGE
2-1/2" DIAL 1/4" BOTTOM MOUNT		
56892625	Pressure gauge	0-30 PSI
56892630	Pressure gauge	0-60 PSI
56892635	Pressure gauge	0-100 PSI
56022650	Pressure gauge	0-300 PSI
56022655	Pressure gauge	0-400 PSI



COMPOUND PRESSURE & VACUUM GAUGES

For installations requiring indication of either a
pressure or a vacuum. Use on any pressure
medium that does not attack brass.

PART #	DESCRIPTION	RANGE
56892070	2-1/2" 1/4 B.M.	30-0-15
56892072	2-1/2" 1/4 B.M.	30-0-30
56892380	3-1/2" 1/4 B.M.	30-0-300
56892076	4-1/2" 1/4 B.M.	30-0-100



WATER PRESSURE TEST GAUGE

Hose connecting pressure gauge
with high pressure indicator
hand used to test water pressure
within a building. 3/4" H.T.
connection. 0-300 PSI

PART # 40110153



**TOTAL
MAINTENANCE
SOLUTIONS**

HOUSTON
800/392-5066

ORLANDO
800/327-3022

GREENVILLE
800/476-2212

LOOK FOR US ON THE WEB AT: www.TMSSouth.com

HEATING & HYDRONICS

TRIPLE INDICATOR GAUGES PRESSURE/TEMP/ALTITUDE

Ranges: 0-60 PSI, 60 to 260°F, 0-6 FT.
Used on boilers to indicate the operating conditions existing within hot water heating systems.



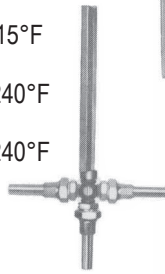
PART #	DESCRIPTION	SIZE
56005054	1/2" lower Bk. Mt.	3-1/2" sq. dial
56005056	1/2" bottom mount	3-1/2" sq. dial

INDUSTRIAL THERMOMETERS

Industrial mercury in glass thermometers. Available in adjustable angle or rigid type with case sizes of 7", 9" and 12". Ranges up to 550°F. Specify the following when ordering: Adj. or Rigid, case size, stem length and scale range.



PART #	DESCRIPTION	RANGE
56895020	3-1/2" stem, 9" case Adjustable angle	0-100°F
56895022	3-1/2" stem, 9" case Adjustable angle	0-160°F
56894024	3-1/2" stem, 7" case Adjustable angle	30-240°F
56895032	6" stem, 9" case Adjustable angle	0-115°F
56895030	6" stem, 9" case Adjustable angle	30-240°F
56895024	3-1/2" stem, 9" case	30-240°F



THERMOWELLS (SOCKETS)

Sockets are available in 3-1/2", 6", 8" and 12" lengths. Sockets also come in brass, steel, and stainless steel (304 & 316). When ordering specify length and material.



PART #	DESCRIPTION
56897002	3-1/2" brass socket
56897003	3-1/2" brass socket with cap and chain
56897004	6" brass socket

SNUBBERS (BRONZE BODY & CORE)

Pressure snubbers are installed on a gauge to prevent wear on the movement and reduce shock to the gauge.



PART #	SIZE	SERVICE
56898722	1/4"	Gasoline, light oils, air & gas

COIL SYPHONS

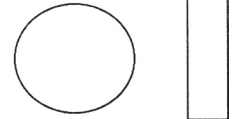
Coil syphons are used on steam service to form a pocket of water between the gauge and steam. This prevents steam from reaching the bourdon tube of the gauge.

PART #	DESCRIPTION
56898851	180 degree sch. 40 steel, 1/4"-18 ends.



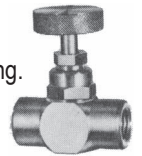
REPLACEMENT LENS GLASS

PART #	DESCRIPTION
59002500	2-1/2" diameter
59003500	3-1/2" diameter
59004500	4-1/2" diameter
59009000	9" industrial thermometer



NEEDLE VALVE

PART #	DESCRIPTION
80100143	1/4" Brass needle valve with Teflon packing.



GAUGE COCKS

Since there is no packing gland to prevent leakage, care must be taken in the application of these cocks on service where leakage might create damage.

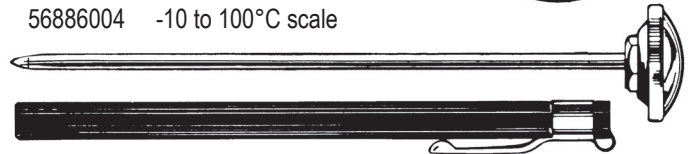
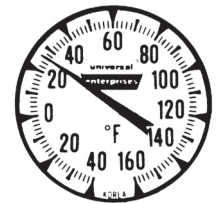
PART #	DESCRIPTION
57205505	1/4" female thread
80100031	1/4" female thread



POCKET THERMOMETER

1" dial with 5" stem and unbreakable polycarbonate crystal. Normal accuracy of + 2°F.

PART #	DESCRIPTION
80100142	0 to 220°F scale
56886002	50 to 550°F scale
56886004	-10 to 100°C scale



GAUGE GLASS GASKETS

PART #	TRADE	SIZE	I.D.	O.D.	THICK.
41580880	1/2RGG	7/16"	11/16"	5/16"	
41580881	5/8RGG	9/16"	13/16"	5/16"	
41580882	3/4RGG	11/16"	15/16"	5/16"	
41580883	5/8SGG	5/8"	1-1/8"	1/4"	
41580884	3/4SGG	3/4"	1-1/4"	1/4"	



**TOTAL
MAINTENANCE
SOLUTIONS**

HOUSTON
800/392-5066

ORLANDO
800/327-3022

GREENVILLE
800/476-2212

LOOK FOR US ON THE WEB AT: www.TMSSouth.com

HEATING & HYDRONICS

PYREX HIGH PRESSURE GAUGE GLASS

PART #	SIZE	LENGTH	TYPE
56055812	5/8"	12"	Red Line
56055815	5/8"	15"	Red Line
56055818	5/8"	18"	Red Line
56055824	5/8"	24"	Red Line
56055828	5/8"	28-1/2"	Red Line
56055830	5/8"	30"	Red Line
56055836	5/8"	36"	Red Line
56055848	5/8"	48"	Red Line
56053410	3/4"	10"	Red Line
56053412	3/4"	12"	Red Line
56053414	3/4"	14"	Red Line
56053416	3/4"	16"	Red Line
56053418	3/4"	18"	Red Line
56053420	3/4"	20"	Red Line
56053424	3/4"	24"	Red Line
56053430	3/4"	30"	Red Line
56053436	3/4"	36"	Red Line



FIBERGLASS HANDHOLE GASKETS

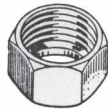
All gaskets are reinforced Fiberglass 4-ply, 1/4" thickness, Oval.

PART #	I.D.	I.D.	WIDTH	TYPE
41051010	2"	3"	1/2"	Handhole
41051012	2"	3-1/2"	1/2"	Handhole
41051014	2-1/2"	3"	1/2"	Handhole
41051016	2-1/2"	3"	5/8"	Handhole
41051018	2-1/2"	3-1/2"	1/2"	Handhole
41051020	2-1/2"	3-1/2"	1/2"	Handhole
41051022	2-1/2"	4"	1/2"	Handhole
41051024	3"	3-1/2"	1/2"	Handhole
41051026	3"	4"	1/2"	Handhole
41051028	3"	4"	5/8"	Handhole
41051030	3"	4"	3/4"	Handhole
41051032	3"	4-1/2"	1/2"	Handhole
41051034	3"	4-1/2"	5/8"	Handhole
41051036	3"	5"	5/8"	Handhole
41051038	3-1/2"	4"	1/2"	Handhole
41051040	3-1/2"	4"	5/8"	Handhole
41051042	3-1/2"	4-1/2"	1/2"	Handhole
41051044	3-1/2"	4-1/2"	5/8"	Handhole
41051046	3-1/2"	4-1/2"	3/4"	Handhole
41051048	3-1/2"	5"	5/8"	Handhole
41051050	3-1/2"	5-1/2"	5/8"	Handhole
41051052	4"	5"	5/8"	Handhole
41051054	4"	5"	3/4"	Handhole
41051056	4"	5-1/2"	3/4"	Handhole
41051058	4"	6"	5/8"	Handhole
41051060	4"	6"	3/4"	Handhole
41051062	4-1/2"	6-1/2"	3/4"	Handhole
41051064	6"	8"	1"	Handhole



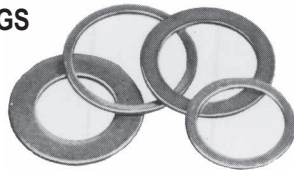
WATER GAUGE LOCKNUTS - BRASS

PART #	SIZE
56201058	5/8"
56201075	3/4"



GAUGE GLASS FRICTION RINGS

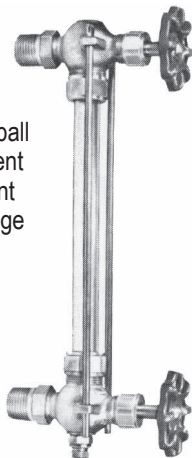
PART #	I.D.	O.D.
44728006	29/64"	21/32"
44728018	11/16"	13/16"



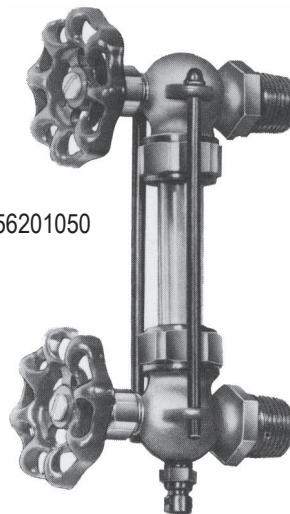
ROUGH BRASS WATER GAUGES

PART #	PIPE SIZE	GLASS SIZE	SERVICE RATING
56201050	1/2"	5/8"x 12"	125 psi @ 350 F-300 psi @ 100°F
56201500	1/2"	5/8"x 12"	125 psi @ 350 F-300 psi @ 100°F
56202050	1/2"	5/8"x 12"	200 pai @ 400 F-400 psi @ 100°F

56201500
Equipped with ball checks to prevent scalding in event of glass breakage



56201050



56202050



**TOTAL
MAINTENANCE
SOLUTIONS**

HOUSTON
800/392-5066

ORLANDO
800/327-3022

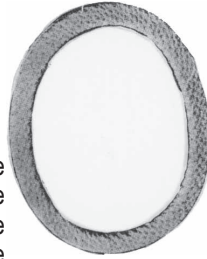
GREENVILLE
800/476-2212

LOOK FOR US ON THE WEB AT: www.TMSSouth.com

HEATING & HYDRONICS

FIBERGLASS MANHOLE GASKETS

All gaskets are reinforced Fiberglass 4-ply, 1/4" thickness, Oval.



PART #	I.D.	I.D.	WIDTH	TYPE
41052010	10"	14"	1"	Manhole
41052012	10"	14"	1-1/4"	Manhole
41052014	10"	15"	1"	Manhole
41052016	10"	15"	1-1/4"	Manhole
41052018	10-1/2"	14-1/2"	1-1/4"	Manhole
41052020	10-1/2"	15"	1"	Manhole
41052022	10-1/2"	15"	1-1/4"	Manhole
41052024	11"	14"	1-1/4"	Manhole
41052026	11"	14-1/2"	1-1/4"	Manhole
41052028	11"	15"	1"	Manhole
41052030	11"	15"	1-1/4"	Manhole
41052032	12"	15"	1"	Manhole
41052034	12"	15"	1-1/4"	Manhole
41052036	12"	16"	1"	Manhole
41052038	12"	16"	1-1/4"	Manhole

SELF-TAPPING REPAIR PLUGS

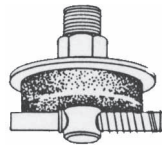
Hardened steel. Bright plated. Neoprene washer. For repair of leaks in boilers, tanks, pipes, etc.



PART #	SIZE
60165001	1/4"
60165002	5/16"
60165003	3/8"
60165004	7/16"
60165005	1/2"

TOGGLE TYPE REPAIR PLUG

For 3/8" hole or larger. Compress spring & insert toggle bar. Tightening nut compresses rubber washer against outer surface for a tight seal.



PART # 60041000

GAUGE GLASS CUTTERS

PART #	DESCRIPTION
64009012	For 1/4" thru 3/4" O.D. gauge glass, laboratory glass & porcelain.
64163871	Heavy duty gauge glass cutter with carbide wheel. Has sliding rule for exact cutting.
64163872	Replacement wheel for gauge cutter.



64009012



64163871

MOLDED RUBBER HANDHOLE AND MANWAY GASKETS

E.P.D.M. Black Rubber Handhole and Manway gaskets. A high quality gasket that has excellent resistance to steam, heat aging, ozone, acids and alkalis. Smooth finish. All gaskets are 1/4" thick.



ELLIPTICAL

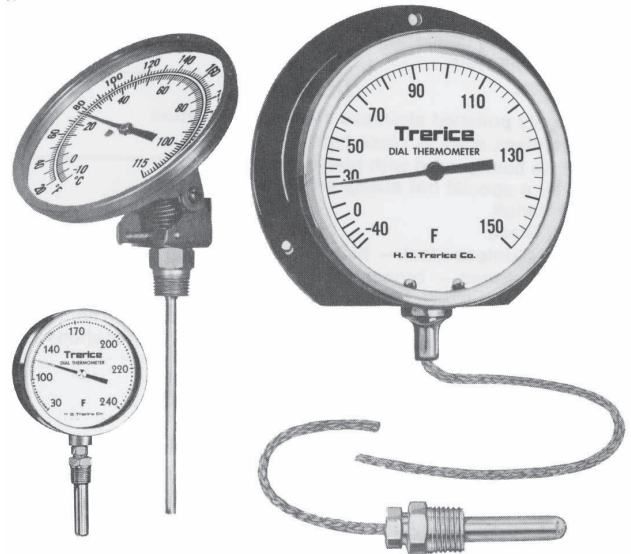


OBLONG

PART #	I.D.	I.D.	WIDTH	TYPE
41101008	2-1/2"	3-1/2"	1/2"	Handhole
41101020	2-7/8"	3-7/8"	1/2"	Handhole
41101024	3"	4"	1/2"	Handhole
41101046	3-1/2"	4-1/2"	5/8"	Handhole
41101060	4"	6"	3/4"	Handhole
41101066	4-1/2"	5-1/2"	5/8"	Handhole
41101078	10-1/2"	14-1/2"	1-3/8"	Manway
41101086	11"	15"	1-1/4"	Manway
41101090	11"	15"	1-3/8"	Manway
41101096	12"	16"	1-1/4"	Manway

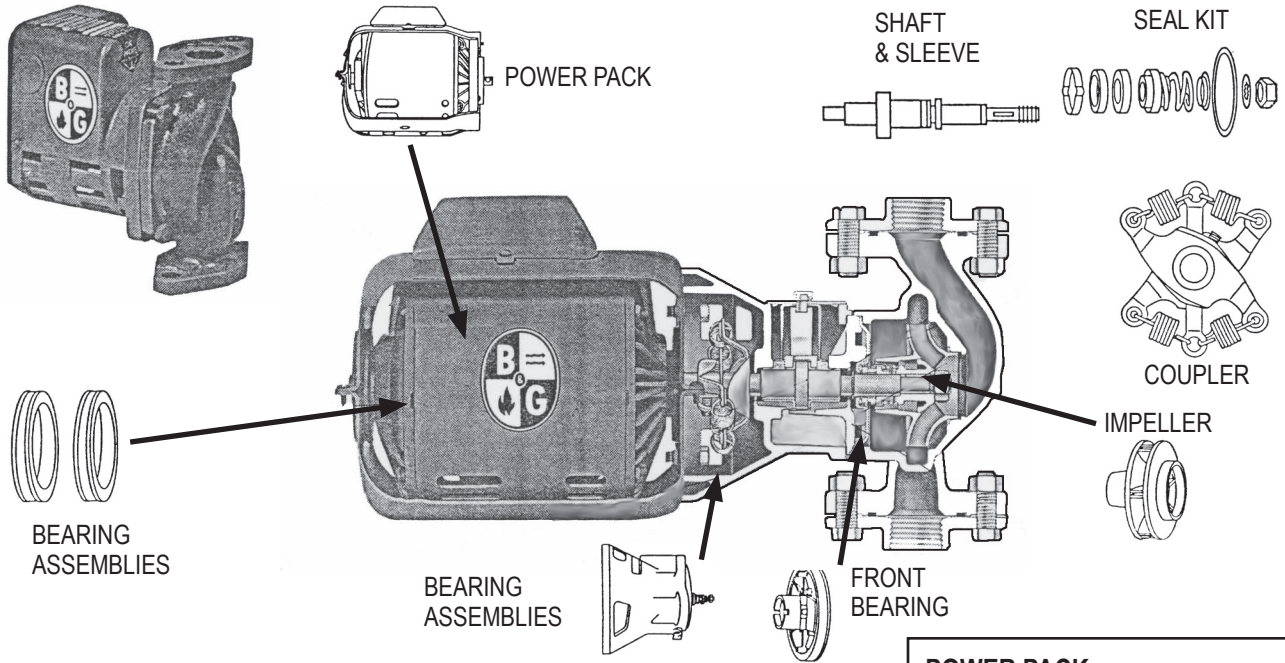
PART #	I.D.	I.D.	WIDTH	TYPE
41102008	3"	4"	1/2"	Handhole
41102010	3"	4-1/2"	9/16"	Handhole
41102012	3-1/2"	4-1/2"	9/16"	Handhole
41102022	11"	15"	1-1/4"	Manway
41102024	11"	15"	1-1/2"	Manway

A COMPLETE LINE OF INDUSTRIAL GAUGES AND THERMOMETERS IS AVAILABLE



HEATING & HYDRONICS

B&G BOOSTER AND LITTLE RED PARTS SELECTOR



DATE OF MANUFACTURE CODE

FIRST DIGIT (MONTH)		SECOND DIGIT (YEAR)				
1946-1960		1961-1987	G 1946	V 1957	G 1967	V1978
1	January	A	H 1947	W 1958	H 1968	W1979
2	February	B	J 1948	X 1959	J 1969	X1980
3	March	C	K 1949	Y 1960	K 1970	Y1981
4	April	D	L 1950	—	L 1971	Z1982
5	May	E	M1951	A1961	M 1972	—
6	June	F	N 1952	B 1962	N 1973	38 1983
7	July	G	P 1953	C 1963	P 1974	48 1984
8	August	H	R 1954	D 1964	R 1975	58 1985
9	September	J	T 1955	E 1965	T 1976	68 1986
10	October	K	U 1956	F 1966	U 1977	78 1987
11	November	L				
12	December	M				

POWER PACK

MODEL #	SINGLE PHASE 115V PUMP PART #	POWER PACK PART #
Series 100 (#75, #100, #1250, #150)	All	80100006
1", 1-1/4", 1-1/2", 2"		
1" to 1-1/2" HV, 1"PR	All	62680363
2-1/2" LD3"	All	80100007
HD 3"	All	62681042
INTERMEDIATE STYLE		
1-1/2" 1B	102033	62681061
1-1/2" B1	102034	62681061
1-1/2" AB	102036	62681061
HV 1B	102308	62681061
HV B1	102309	62681061
HVAB	102311	62681061
NEW STYLE		
HV 1B	102210	62681061
HV BNFI	102213	62681061
2" 1B	102214	62681061
2" BNFI	102217	62681061

SHAFT & SLEEVE

MODEL #	PART #
#75, 100, 125, 150	80100144
1", 1-1/4", 1-1/2", 2"	80100144
1"HV, 1-1/4"HV, 1-1/2"HV	80100144
1"PR, 2-1/2", LD-3", HD-3"	80100144
INTERMEDIATE STYLE	
1-1/2"1B, 1-1/2"B1, 1-1/2"AB	
HV1B, HVB1, HVAB	80100144
NEW STYLE	
HV1B, HVBNFI	
2"1B, 2"BNFI	80100144

SEAL KIT

MODEL #	PART #
# 75,100,125,150	80100145
1", 1-1/4", 1-1/2", 2"	80100145
(1", 1-1/4", 1-1/2")HV	80100145
1"PR, 2-1/2"LD-3, HD-3"	80100145
INTERMEDIATE STYLE	
1-1/2"1B, 1-1/2"B1, 1-1/2"AB	
HV1B, HVB1, HVAB	80100145
NEW STYLE	
HV1B, HVBNFI, 2"1B, 2"BNFI	80100145
LR-20, LR-20B	62689141

MOTOR MOUNTS

POWER PACK PART #	MOTOR MOUNT SET PART #
80100006	80100146
62680363	62681174
80100007	62681174
62681042	62688228
62681061	80100146



TOTAL MAINTENANCE SOLUTIONS

HOUSTON
800/392-5066

ORLANDO
800/327-3022

GREENVILLE
800/476-2212

LOOK FOR US ON THE WEB AT: www.TMSSouth.com

HEATING & HYDRONICS

B&G BOOSTER AND LITTLE RED PARTS SELECTOR (CONTINUED)

BEARING ASSEMBLIES							
MODEL #	SINGLE PHASE PUMP 115V PART #	PUMP DATE CODE		IRON BODY		BRONZE BODY	
		FROM	TO	STANDARD IMPELLER	BRASS IMPELLER	BRASS IMPELLER	NON-FER. IMPELLER
Series 100 (#75 #100,#125,#150) 1" & 1-1/4"	All	-	-	80100000	80100000	80100001	-
	All	-	-	62682622	62682622	62689104	-
Series 1-1/2" Old Style	102037	7L	AT	62682622	-	-	-
	102040	7L	AT	-	62682622	-	-
	102039	7L	HR	-	-	80100128	-
Series 1-1/2" Intermediate	102033	BT	JT	62682624	-	-	-
	102034	BT	JT	-	62682624	-	-
	102036	JR	DT	-	-	62689131	-
Series 2" Old Style	102049	7L	FT	62682622	-	-	-
	102052	7L	FT	-	62689102	-	-
	102051	7L	GT	-	-	80100128	-
Series 2" New Style	102214	GT	-	62682624	-	-	-
	102217	GT	-	-	-	-	62682625
Series HV Old Style	102304	7L	HR	62682622	-	-	-
	102305	7L	HR	-	62689102	-	-
	102307	7L	JR	-	-	80100128	-
Series HV Intermediate	102308	JR	MR	80100001	-	-	-
	102309	JR	MR	-	-	-	-
	102311	KR	DT	-	-	62689131	-
Series HV New Style	102210	AT	-	62682624	-	-	-
	102213	DT	-	-	-	-	62682625
Series 1" PR 2-1/2" 3" LD 3"HD	All	-	-	80100002	80100002	62682627	-

COUPLERS

MODEL #	PART #
# 75,100,125,150	80100051
1", 1-1/4", 1-1/2", 2"	80100051
1"HV, 1-1/4" & 1-1/2"HV	80100051
1"PR	80100051
2-1/2", LD-3", HD-3"	80100048

INTERMEDIATE STYLE

1-1/2"IB, 1-1/2"BI, HVAB	
1-1/2"AB, HVIB, HVBI	80100051

NEW STYLE

HVIB, HVBNFI	
2"IB, 2"BNFI	80100051

HEAVY DUTY OIL
WICK. SET OF 2

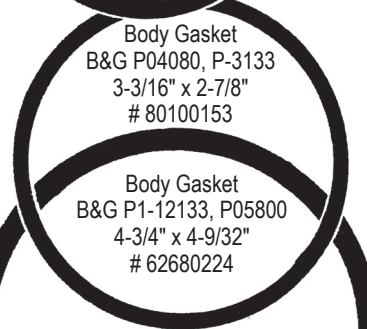
PART #
80100151



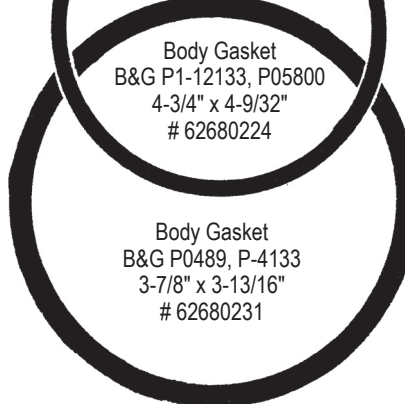
IMPELLER							
MODEL #	SINGLE PHASE PUMP 115V PART #	PUMP DATE CODE		IRON BODY		BRONZE BODY	
		FROM	TO	STANDARD IMPELLER	BRASS IMPELLER	BRASS IMPELLER	NON-FER. IMPELLER
Series 100 (#75 #100,#125,#150) 1"	All	-	-	80100011	80100012	80100012	80100011
	All	-	-	62688665	62688434	62687972	-
1-1/4"	All	-	-	62687960	80100009	62687972	-
Series 1-1/2" Old Style	102037	7L	AT	62687960	-	-	-
	102040	7L	AT	-	80100009	-	-
	102039	7L	HR	-	-	62687972	-
Series 1-1/2" Intermediate	102033	BT	JT	62687960	-	-	-
	102034	BT	JT	-	80100009	-	-
	102036	JR	DT	-	-	62687972	-
Series 2" Old Style	102049	7L	FT	62688668	-	-	-
	102052	7L	FT	-	62687972	-	-
	102051	7L	GT	-	-	62687972	-
Series 2" New Style	102214	GT	-	80100008	-	-	62687792
	102217	GT	-	-	-	-	80100008
Series HV Old Style	102304	7L	HR	62688668	-	-	-
	102305	7L	HR	-	62687972	-	-
	102307	7L	JR	-	-	62687972	-
Series HV Intermediate	102308	JR	-	62688668	-	-	-
	102309	JR	MR	-	62687972	-	-
	102311	KR	DT	-	-	62687972	-
Series HV New Style	102210	AT	-	80100008	-	-	62687792
	102213	DT	-	-	-	-	80100008
Series 1PR 2-1/2" LD3" 3" HD	All	-	-	62688830	62688612	62688612	-
	All	-	-	62688676	62688440	62688440	-
	All	-	-	62688675	62688439	62688439	-
LR-20	All	D38	-	62685627	62686500	-	62685627
LR-20B	All	D38	-	62685627	62685601	-	62685627



Bearing Gasket
2-3/4" x 1-5/8"
60 Series
80100152



Body Gasket
B&G P04080, P-3133
3-3/16" x 2-7/8"
80100153



Body Gasket
B&G P1-12133, P05800
4-3/4" x 4-9/32"
62680224

Body Gasket
B&G P0489, P-4133
3-7/8" x 3-13/16"
62680231



TOTAL
MAINTENANCE
SOLUTIONS

HOUSTON
800/392-5066

ORLANDO
800/327-3022

GREENVILLE
800/476-2212

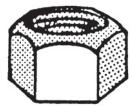
LOOK FOR US ON THE WEB AT: www.TMSSouth.com

HEATING & HYDRONICS

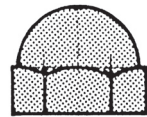
**B&G BOOSTER AND LITTLE RED PARTS SELECTOR (CONTINUED)
FRONT BEARING**

MODEL #	SINGLE PHASE PUMP 115V PART #	PUMP DATE CODE		IRON BODY		BRONZE BODY	
		FROM	TO	STANDARD IMPELLER	BRASS IMPELLER	BRASS IMPELLER	NON-FER. IMPELLER
Series 100 (#75 #100,#125,#150) 1" & 1-1/4"	All	-	-	80100154	80100154	80100155	-
	All	-	-	62689072	62689072	-	-
Series 1-1/2" Old Style	102037	7L	AT	62689072	-	-	-
	102040	7L	AT	-	62689072	-	-
	102039	7L	HR	-	-	62689075	-
Series 1-1/2" Intermediate	102033	BT	JT	62689072	-	-	-
	102034	BT	JT	-	62689072	-	-
	102036	JR	DT	-	-	62689075	-
Series 2" Old Style	102049	7L	FT	62689073	-	-	-
	102052	7L	FT	-	62689074	-	-
	102051	7L	GT	-	-	62689075	-
Series 2" New Style	102214	GT	-	62689072	N/A	-	-
	102217	GT	-	-	-	-	62689076
Series HV Old Style	102304	7L	HR	62689073	-	-	-
	102305	7L	HR	-	62689074	-	-
	102307	7L	JR	-	-	62689075	-
Series HV Intermediate	102308	JR	MR	62689073	-	-	-
	102309	JR	MR	-	-	-	-
	102311	KR	DT	-	-	62689075	-
Series HV New Style	102210	AT	-	62689072	-	-	-
	102213	DT	-	-	-	-	62689076
Series 1" PR 2-1/2" 3" LD 3"HD	All	-	-	62687085	62687085	62687085	-

HYDRONIC CIRCULATOR OIL
1.5 Fl. oz. tube. Specially blended for hydronic circulators & motors. Fights rust, corrosion and friction. # 62371220



SHAFT NUT
B&G P-4123, P04670
80100156



SHAFT CAP NUT
B&G P-4123, P04670
62680859



SHAFT KEY
B&G P-4138, P04940
62680519



LOCK WASHER
B&G P-4122, P04650
62680511

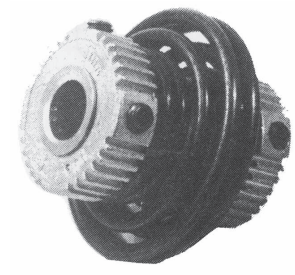


COUPLER SET SCREW
B&G P-453, P01800
62680451

SPIRALINK COUPLERS

(FOR B&G AND ARMSTRONG BOOSTERS & IN-LINE PUMPS, TACO SERIES 121-138)
Universal construction eliminates all friction/wear points common to OEM couplers. Spiral spring provides universal flexibility and compensates for any degree of shaft misalignment. Absorbs starting torque and reduces load on bearings and seals.

PART #	DESCRIPTION	REPLACES B&G #	REPLACES ARMSTRONG #	SHAFT ROT. CCW
80100032	1/2" x 1/2" up to 1/3 HP	118705,118473 189110	806026-001	806168-001
80100034	1/2" x 1/2" or 1/2" x 5/8" 1/2 to 3/4 HP	118473,118709 118708,P77234	807436-000	CW 806137-000
80100035	1/2" x 5/8" or 5/8" x 5/8" 3/4" & 1HP	P77271,186410 P77237,118476	812734-000	CW 816665-000
PART # 62370045	DESCRIPTION 1/2" x 1/2" or 1/2"x 5/8" or 5/8" x 5/8"	REPLACES TACO 1624-053RP (Woods 3J or 4J)	SHAFT ROT. CW	



TOTAL MAINTENANCE SOLUTIONS

HOUSTON
800/392-5066

ORLANDO
800/327-3022

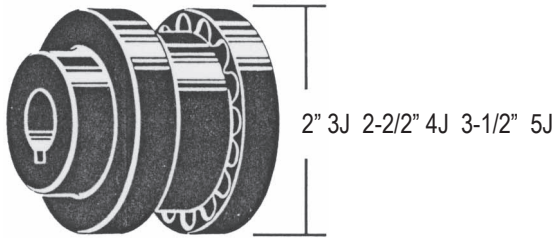
GREENVILLE
800/476-2212

LOOK FOR US ON THE WEB AT: www.TMSSouth.com

HEATING & HYDRONICS

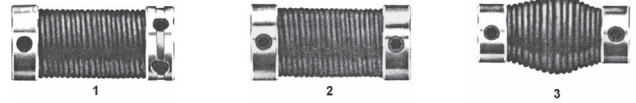
WOODS COUPLERS WITH JES INSERT

PART #	DESCRIPTION
62683050	3 J coupler 1/2" x 1/2" with JES insert
62683058	3 J coupler 5/8" x 5/8" with JES insert
62683055	3 J coupler 1/2" x 5/8" with JES insert
62684050	4 J coupler 1/2" x 1/2" with JES insert
62684058	4 J coupler 5/8" x 5/8" with JES insert
62684055	4 J coupler 1/2" x 5/8" with JES insert
62685050	5 J coupler 1/2" x 1/2" with JES insert
62685058	5 J coupler 5/8" x 5/8" with JES insert
62685055	5 J coupler 1/2" x 5/8" with JES insert



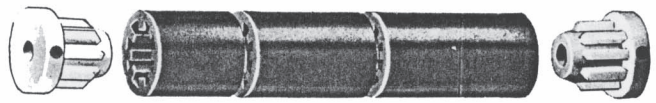
SPRING COUPLERS

ITEM	PART #	DESCRIPTION
1	62680883	1/2" x 3/8" Bore
2	62680531	1/2" x 1/2" Bore x 2" long
3	62680510	1/2" x 7/16" Bore x 1-3/4" long



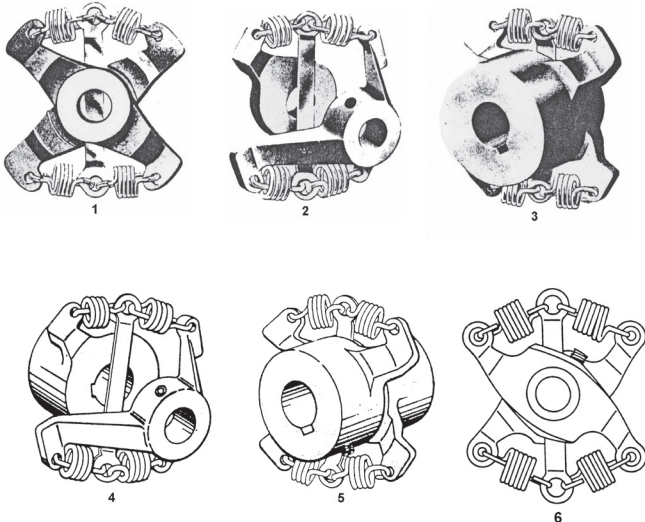
SPLINE COUPLERS

PART #	DESCRIPTION
62685071	Neoprene sleeve 7" long
62685072	5/16" Bore end fitting-die cast
62685073	7/16" Bore end fitting-die cast
62685074	1/2" Bore end fitting -die cast



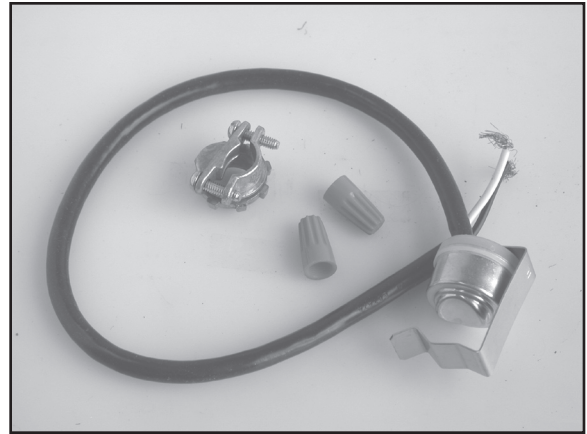
BELL & GOSSETT COUPLERS

ITEM	PART #	DESCRIPTION	B&G #
1	80100048	1/2" x 1/2" 1/4-1/3 HP motors	118723
	62688705	1/2" x 1/2" 1/12-1/6 HP motors	118705
2	80100052	1/2" x 1/2" Yoke	118705
3	80100050	1/2" x 5/8" Keyway	118473
4	62686410	5/8" Keyway x 1/2" Yoke	186410
5	62688794	1/2" x 1/2" 1/12 & 1/6 HP motors	189110
6	80100051	1/2" x 1/2" 1/12 & 1/6 HP motors	189110
NOT SHOWN	62688708	3/4" Keyway x 1/2" Yoke	118708



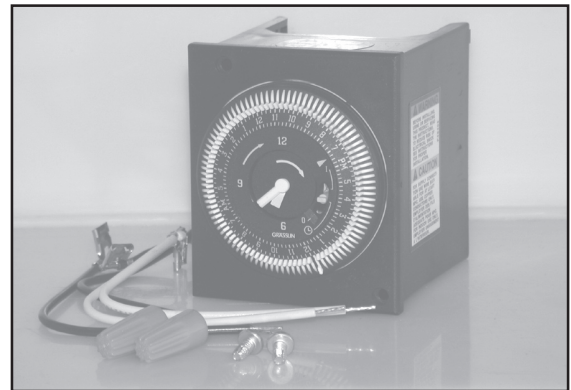
BELL AND GOSSETT AQS-3/4 AQUASTAT

PART # 62683224



BELL AND GOSSETT TC-1 AUTO TIMER KIT

PART # 62683210



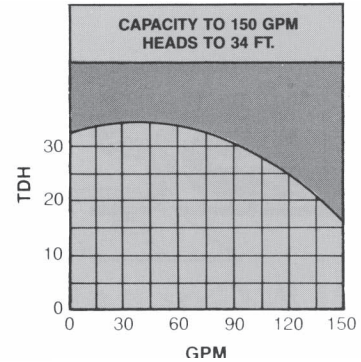
HEATING & HYDRONICS

B & G BOOSTER PUMPS

In-line mounted with oil lubricated sleeve bearings in pump and motor; sizes 3/4" to 3", 1/12 HP to 1-1/2" HP at 1750 RPM; Iron or Bronze construction. For use in hydronic systems.

TMS PART #	B & G PART #	DESCRIPTION
80100016	106189	Model 100NFI, 1/12 HP, Iron Body.
80100017	106197	Model 100BNFI, 1/12 HP, Bronze Body.

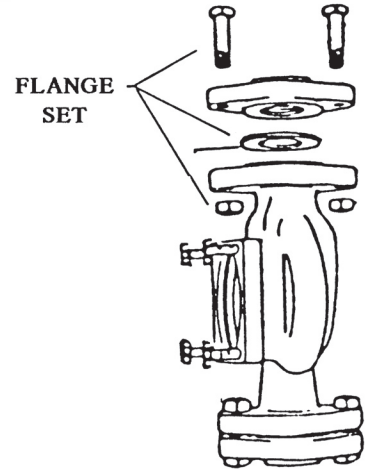
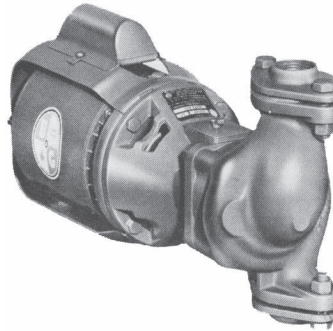
SERIES 100



B & G FLANGES FOR SERIES 100

Flange set includes 2 flanges, gaskets and 4 nuts & bolts.

TMS PART #	B & G PART #	DESCRIPTION
62501001	101001	3/4" Iron flange set
62501011	101011	3/4" Bronze flange set
62501002	101002	1" Iron flange set
62501012	101012	1" Bronze flange set
62501003	101003	1-1/4" Iron flange set
62501013	101013	1-1/4" Bronze flange set
62501004	101004	1-1/2" Iron flange set
62501014	101014	1-1/2" Bronze flange set



GRUNDFOS CIRCULATORS

Grundfos circulators are single-stage, direct drive centrifugal pumps designed for domestic and light commercial applications in open and closed systems. These pumps can be operated up to system pressures of 145 psi with maximum fluid temperatures of 230°F.

FEATURES OF THE BRUTE:

- Stainless steel – fitted quality.
- Self-lubricating.
- Quiet, maintenance free operations.
- Lip-sealed rotor chamber – minimizes penetration of dirty water.



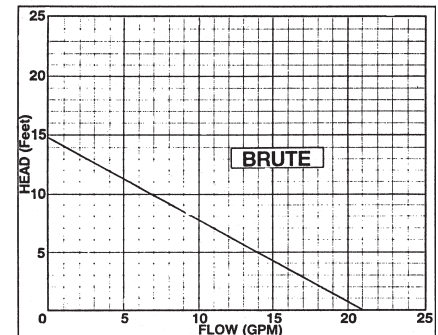
CLOSED SYSTEM CIRCULATORS

TMS PART #	GRUNDFOS PART #	DESCRIPTION
80100088	UP15-42F	1/25 HP, 115V, 2475 RPM.
80100092	UP26-96F	1/12 HP, High Head, 115V, 2450 RPM.

OPEN SYSTEM CIRCULATORS

TMS PART #	GRUNDFOS PART #	DESCRIPTION
80100010	UP15-42SF	1/22 HP, 115V, 2590 RPM.
80100093	UP26-96BF	1/12 HP, 115V, 2450 RPM.

Performance Curve



TOTAL MAINTENANCE SOLUTIONS

HOUSTON
800/392-5066

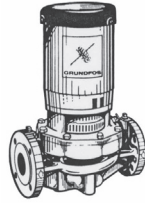
ORLANDO
800/327-3022

GREENVILLE
800/476-2212

LOOK FOR US ON THE WEB AT: www.TMSSouth.com

HEATING & HYDRONICS

UMT/UPT
DIRECT-COUPLED
IN-LINE CIRCULATORS



GRUNDFOS[®]
SERVICE KITS

**SHAFT SEAL & GASKET KIT FOR UMT/UPT
(ALL MODELS)**

PART # 62095273

#	REQ'D.	ITEM	PART #
1	1	Upper seal ring for models B & C	98.52 75
1	1	Upper seal ring for model A	98.52 10
1	1	O-Ring EPDM 21.3x3.0 mdle B&C	ID.17 98
1	1	O-Ring EPDM 24.2x3.0 for mdle A	ID.17 86
1	1	Lower seal ring	98.52 23
1	1	O-Ring EPDM 16.0x4.5	ID.17 85
1	1	Spring Retainer	98.02 06
1	1	Spring	98.02 07
1	1	Upper Driver	98.02 55
1	1	Sealing Disk	48.00 17
1	1	Split Cone	48.00 19
1	1	Gaskets for models A & B	56.00 63
1	1	O-Ring EPDM 155x4.0	ID.20 38
1	1	O-Ring EPDM 111x4.0	ID.21 66

REPAIR KIT FOR UMT50-40 & UPT65-160

PART # 62095036

#	REQ'D.	ITEM	PART #
1	1	Shaft Seal & Gasket kit	62095273
1	1	Impeller A	54.50 27
1	1	Impeller neck ring	54.00 81
1	1	Split cone nut	56.02 44
1	1	Shaft	48.00 18
1	1	Distribution cup	48.00 20
1	1	Shaft pin	31.01 92
4	4	Coupling screw, allen M6x20	ID.08 91
4	4	Coupling screw, allen M8x25	ID.09 92

REPAIR KIT FOR UMT40-120 & UPT50-160

PART # 62095038

#	REQ'D.	ITEM	PART #
1	1	Shaft Seal & Gasket kit	62095273
1	1	Impeller G	54.50 42
1	1	Impeller neck ring	54.03 12
1	1	Split cone nut	56.02 44
1	1	Shaft	48.00 18
1	1	Distribution cup	48.00 20
1	1	Shaft pin	31.01 92
4	4	Coupling screw, allen M6x20	ID.08 91

**REPAIR KIT FOR UMT50-30 & UPT65-40, UPT65-120
& UPT80-160**

PART # 62095039

#	REQ'D.	ITEM	PART #
1	1	Shaft Seal & Gasket kit	62095273
1	1	Impeller M	55.50 14
1	1	Impeller neck ring	55.00 43
1	1	Split cone nut	56.02 44
1	1	Shaft	48.00 18
1	1	Distribution cup	48.00 20
1	1	Shaft pin	31.01 92
4	4	Coupling screw, allen M6x20	ID.08 91
4	4	Coupling screw, allen M8x25	ID.09 92

REPAIR KIT FOR UMT50-60 & UPT65-80

PART # 62095040

#	REQ'D.	ITEM	PART #
1	1	Shaft Seal & Gasket kit	62095273
1	1	Impeller G	54.50 26
1	1	Impeller neck ring	54.00 81
1	1	Split cone nut	56.02 44
1	1	Shaft	48.00 18
1	1	Distribution cup	48.00 20
1	1	Shaft pin	31.01 92
4	4	Coupling screw, allen M6x20	ID.08 91

REPAIR KIT FOR UMT65-30, UPT80-40, AND UPT80-120

PART # 62095041

#	REQ'D.	ITEM	PART #
1	1	Shaft Seal & Gasket kit	62095273
1	1	Impeller N	54.50 42
1	1	Impeller neck ring	54.03 12
1	1	Split cone nut	56.02 44
1	1	Shaft	48.00 18
1	1	Distribution cup	48.00 20
1	1	Shaft pin	31.01 92
4	4	Coupling screw, allen M6x20	ID.08 91
4	4	Coupling screw, allen M8x25	ID.09 92

REPAIR KIT FOR UMT65-60 & UPT80-80

PART # 62095042

#	REQ'D.	ITEM	PART #
1	1	Shaft Seal & Gasket kit	62095273
1	1	Impeller J	55.50 13
1	1	Impeller neck ring	55.00 43
1	1	Split cone nut	56.02 44
1	1	Shaft	48.00 18
1	1	Distribution cup	48.00 20
1	1	Shaft pin	31.01 92
4	4	Coupling screw, allen M6x20	ID.08 91

REPAIR KIT FOR UMT50-80C

PART # 62095048

#	REQ'D.	ITEM	PART #
1	1	Shaft Seal & Gasket kit	62095273
1	1	Impeller P	54.50 45
1	1	Impeller neck ring	54.00 81
1	1	Split cone nut	56.02 44
1	1	Shaft	48.00 18
1	1	Distribution cup	48.00 20
1	1	Shaft pin	31.01 92
4	4	Coupling screw, allen M6x20	ID.08 91



**TOTAL
MAINTENANCE
SOLUTIONS**

HOUSTON
800/392-5066

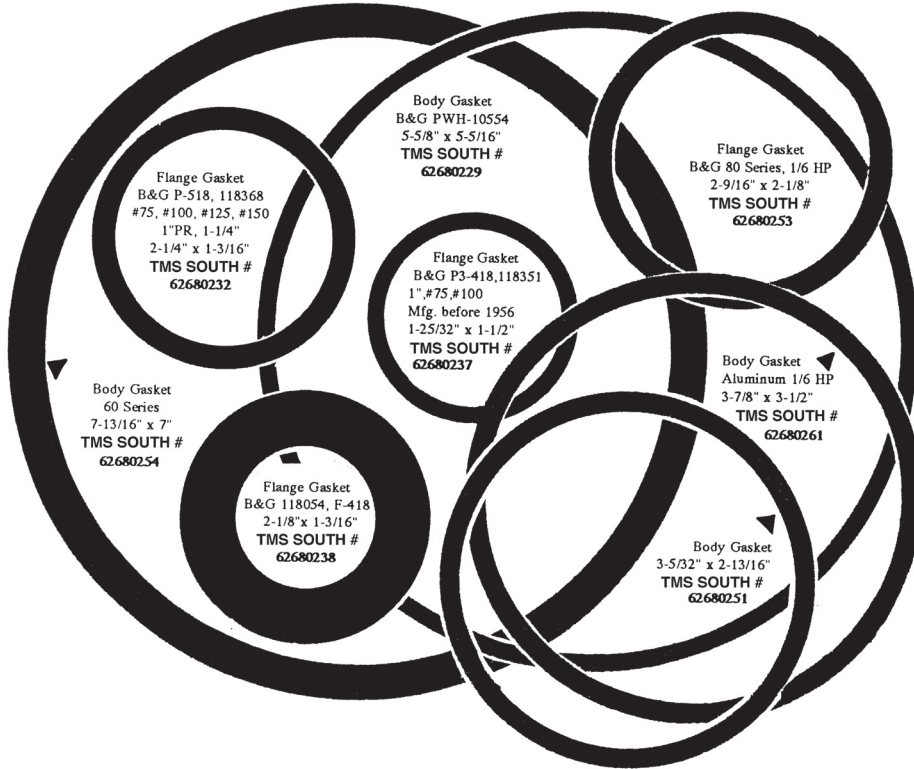
ORLANDO
800/327-3022

GREENVILLE
800/476-2212

LOOK FOR US ON THE WEB AT: www.TMSSouth.com

HEATING & HYDRONICS

B&G GASKETS



Flange Gasket
B&G P-518, 118368
#75, #100, #125, #150
1"PR, 1-1/4"
2-1/4" x 1-3/16"
TMS SOUTH #
62680232

Body Gasket
B&G PWH-10554
5-5/8" x 5-5/16"
TMS SOUTH #
62680229

Flange Gasket
B&G 80 Series, 1/6 HP
2-9/16" x 2-1/8"
TMS SOUTH #
62680253

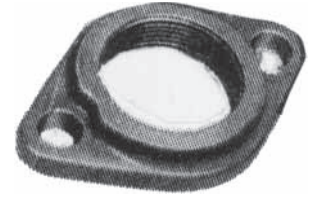
Flange Gasket
B&G P3-418,118351
1", #75, #100
Mfg. before 1956
1-25/32" x 1-1/2"
TMS SOUTH #
62680237

Body Gasket
Aluminum 1/6 HP
3-7/8" x 3-1/2"
TMS SOUTH #
62680261

Body Gasket
60 Series
7-13/16" x 7"
TMS SOUTH #
62680254

Flange Gasket
B&G 118054, F-418
2-1/8" x 1-3/16"
TMS SOUTH #
62680238

Body Gasket
3-5/32" x 2-13/16"
TMS SOUTH #
62680251



TACO FLANGE SETS

PART #	DESCRIPTION
62371251	3/4" Cast iron flange set
62371252	1" Cast iron flange set
62371253	1-1/4" Cast iron flange set
62371254	1-1/2" Cast iron flange set
62370251	3/4" Bronze flange set
62370252	1" Bronze flange set
62370253	1-1/4" Bronze flange set
62370254	1-1/2" Bronze flange set

TACO CARTRIDGE CIRCULATORS

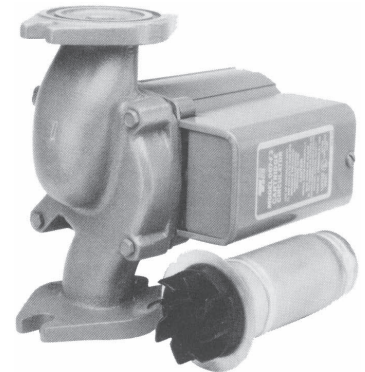
007 CIRCULATOR

Designed to circulate heated or chilled water in residential and light commercial hydronic systems. Also designed to circulate most common solar fluids in closed loop solar systems.

FEATURES

- 1/25 HP motor, impedance protected, non-overloading at any point on the pump curve.
- Cast iron body with cast iron shut-off flanges 3/4", 1", and 1-1/4"
- Universal flange to flange dimensions make it ideal for retrofit.
- Companion flanges 3/4" thru 1-1/2" available in bronze and cast iron.
- Delivers flow rate of 20 GPM and head to 11 feet.

PART #	DESCRIPTION
80100107	007F Cast iron circulator
62370071	007BF Bronze circulator



007

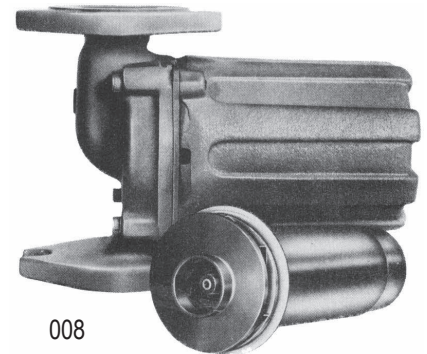
880 CIRCULATOR

Used in domestic hot water recirculation lines, drainback solar systems as well as heat pumps.

FEATURES

- 008B Bronze body with 3/4" thru 1-1/2" companion flanges or 5/8" & 7/8" sweat connections.
- 008F Cast iron flanged body with 3/4" thru 1-1/2" companion flanges.
- Flow rates to 14 GPM and head to 16 feet.

PART #	DESCRIPTION
62370080	008F Cast iron circulator
62370081	008BF Bronze circulator



008



**TOTAL
MAINTENANCE
SOLUTIONS**

HOUSTON
800/392-5066

ORLANDO
800/327-3022

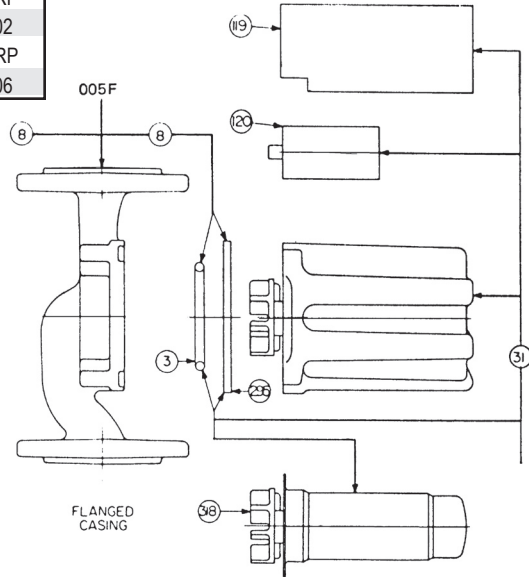
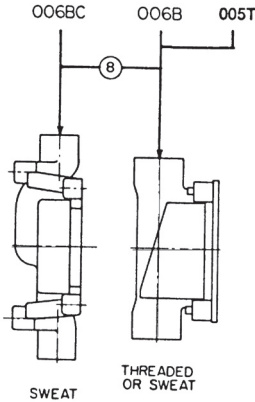
GREENVILLE
800/476-2212

LOOK FOR US ON THE WEB AT: www.TMSSouth.com

HEATING & HYDRONICS

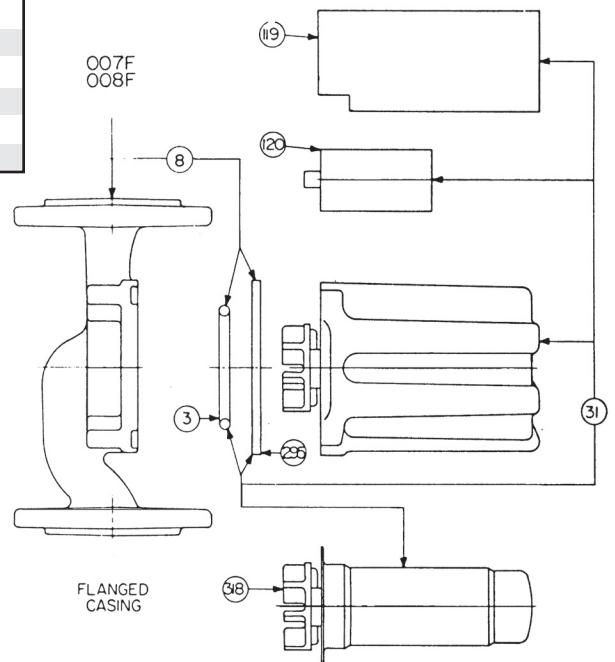
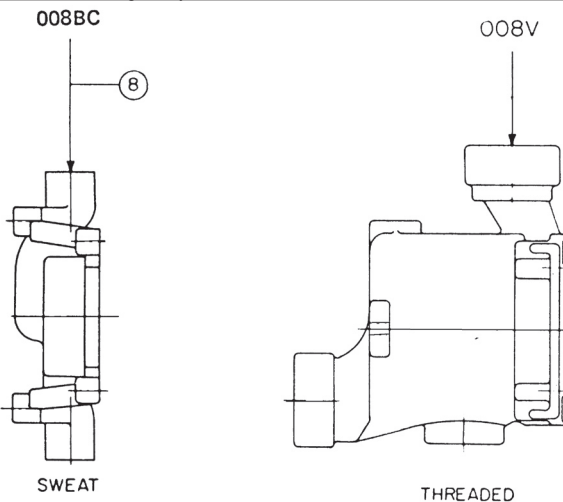
REPLACEMENT PARTS FOR TACO CIRCULATORS 005 & 006

ITEM	DESCRIPTION	005-BF	005-F	006-B2	006-B3
3	Body gasket O-ring	62680263	62680263	62680262	62680262
8	Body	007-020RP	007-020RP	006-001RP	006-001RP
31	Motor assembly	005-003RP	005-005RP	006-003RP	005-005RP
113	Flanged gasket set	62370072	62370072	N/A	N/A
119	Capacitor cover	005-001RP	005-001RP	007-001RP	005-001RP
120	Capacitor	62375002	62375002	62377002	62375002
295	Plate	007-017RP	007-017RP	007-017RP	007-017RP
318	Rotor cartridge assy.	62375006	62375004	62376002	62375006



REPLACEMENT PARTS FOR TACO CIRCULATORS 007 & 008

ITEM	DESCRIPTION	007-F	007-BF	008-F	008-BF
3	Body gasket O-ring	62680262	62680263	62680263	62680263
8	Body	N/A	007-020RP	008-104RP	008-009RP
31	Motor assembly	007-011RP	007-023RP	008-003RP	008-008RP
113	Flanged gasket set	62370072	62370072	62370072	62370072
119	Capacitor cover	007-001RP	007-001RP	007-001RP	007-001RP
120	Capacitor	62377002	62377002	62377002	62377002
295	Plate	N/A	007-017RP	007-017RP	007-017RP
318	Rotor cartridge assy.	62377016	62376002	62378001	62378007



**TOTAL
MAINTENANCE
SOLUTIONS**

HOUSTON
800/392-5066

ORLANDO
800/327-3022

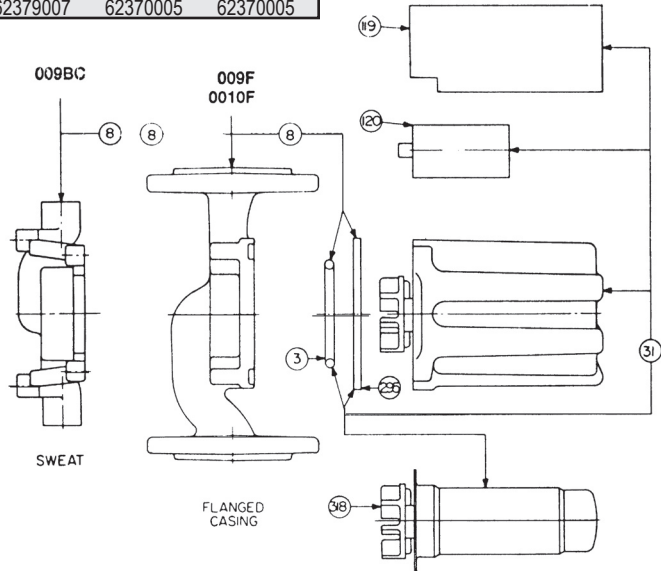
GREENVILLE
800/476-2212

LOOK FOR US ON THE WEB AT: www.TMSSouth.com

HEATING & HYDRONICS

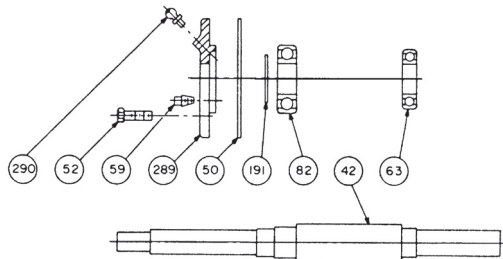
REPLACEMENT PARTS FOR TACO CIRCULATORS 009 & 0010

ITEM	DESCRIPTION	009-F	009-BF2	009-BF4	009-F4	0010-F	0010-BF
3	Body gasket O-ring	62379005	62379005	62379005	62379005	62370008	62370008
8	Body	009-004RP	009-008RP	009-008RP	009-004RP	0010-004RP	0010-007RP
31	Motor assembly	009-003RP	009-006RP	009-006RP	009-003RP	0010-003RP	0010-006RP
113	Flanged gasket set	62370072	62370072	62370072	62370072	62370072	62370072
119	Capacitor cover	007-001RP	007-001RP	005-001RP	005-001RP	005-001RP	005-001RP
120	Capacitor	62377026	62377026	62379014	62379014	62379014	62379014
295	Plate	009-002RP	009-002RP	009-002RP	009-002RP	009-002RP	009-002RP
318	Rotor cartridge assy.	62379007	62379007	62379007	62379007	62370005	62370005



BEARINGS FOR "BB" BASE MOUNTED PUMPS

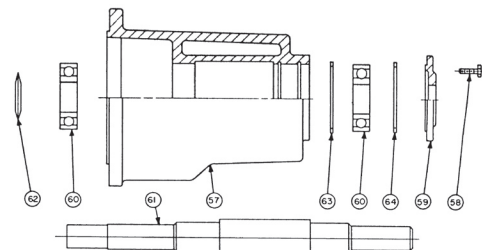
ITEM	DESCRIPTION	FRAME A	FRAME B	FRAME C
42	Shaft			
50	Bearing plate gasket			
52	Bearing plate bolt			
59	Drain plug			
63	Ball bearing	62370784	62370114	62372159
82	Ball bearing	62370067	62370071	62372101
191	Retainer ring			
289	Bearing cover plate assy.			
290	Lubrication fitting			



BEARINGS FOR "FM" BASE MOUNTED PUMPS

ITEM	DESCRIPTION	(1)	(2)	(3)
57	Frame			
58	Hex head screws			
59	Bearing cover			
60	Ball bearing	62370067	62372101	62371155
61	Shaft			
62	Deflector			
63	Retaining ring			
64	Retaining ring			

- (1) For the following pump models FM 1206, 1207, 1208, 1506, FM 1507, 1508, 2006, 2007, 2506.
- (2) For the following pump models FM 1210, 1510, 2008, 2010, FM 2507, 2508, 2510, 3007, 3008, 3010, 4008.
- (3) For the following pump models FM 2513, 3013, 4010, 4013, FM 4016, 5010, 5013, 5016, 6013, 6016.



HOUSTON
800/392-5066

ORLANDO
800/327-3022

GREENVILLE
800/476-2212

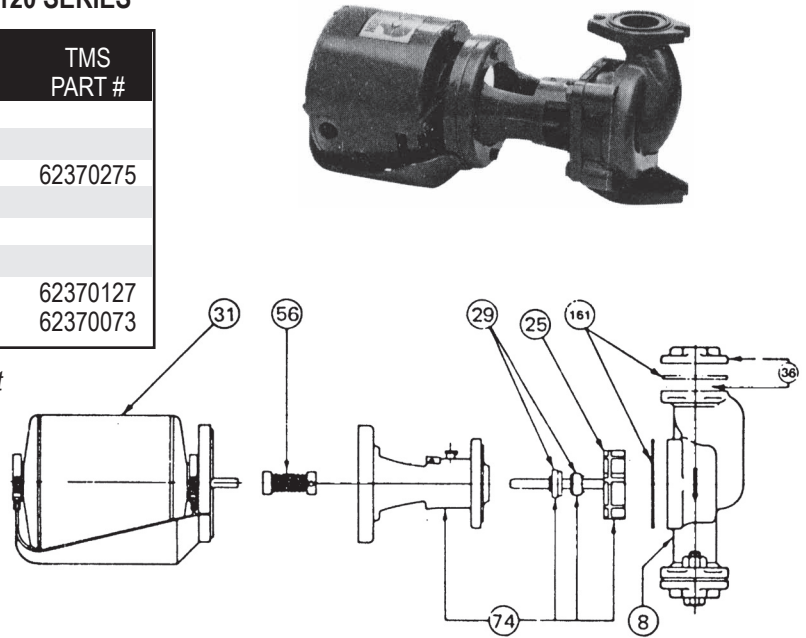
LOOK FOR US ON THE WEB AT: www.TMSSouth.com

HEATING & HYDRONICS

REPLACEMENT PARTS FOR TACO 110 THROUGH 120 SERIES

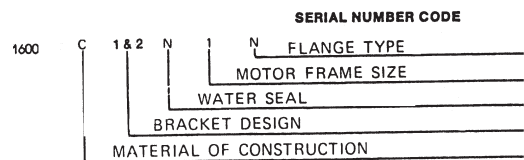
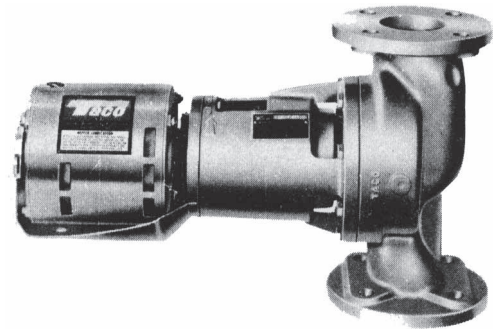
ITEM	DESCRIPTION	TACO PART #	TMS PART #
8	Pump body-cast iron 110&112	110-226RP	
25	Impeller & Shaft- 110 & 110B	110-207RP	
29	Seal kit	110-275RP	62370275
31	Motor assembly 110 & 117	110-223RP	
56	Coupler	110-009RP	
74	Bracket assembly		
161	Gasket kit Models 110-113	110-127RP	62370127
	Gasket kit Model 120	120-073RP	62370073

Note: Pump body, Impeller & Shaft, Motor Assembly, Bracket Assembly are available for other models. Specify model number and cast iron or bronze when ordering.

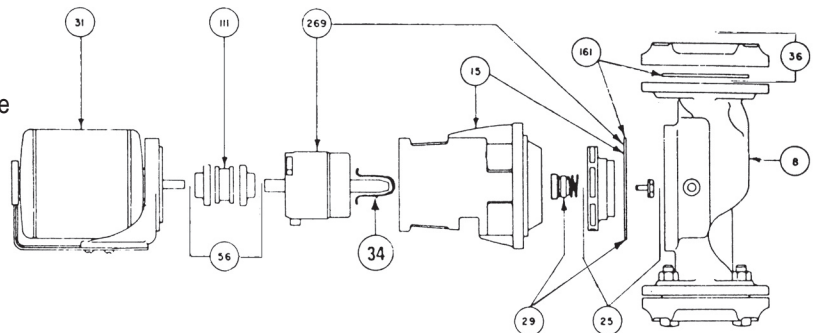


REPLACEMENT PARTS FOR TACO 1600 SERIES PUMPS

ITEM	DESCRIPTION	TACO PART #	TMS PART #
8	Replacement body	(1)	
15	Replacement bracket	(2)	
25	Replacement impeller assembly	(3)	
29	Water seal kit	1600-170RP	62370170
31	Replacement motor assembly	(4)	
34	Shaft sleeve	1600-205RP	62370205
36	Replacement flange set	(5)	
56	Replacement coupler 1/4-2 HP 1/2"x 5/8"	1624-053RP	62684055
	5/8"x 5/8"	1624-053RP	62684058
	Replacement coupler 3 HP	1624-041RP	62685058
111	Coupler insert 3J coupler	1624-020RP	62683000
	Coupler insert 4J coupler	1624-004RP	62684000
	Coupler insert 5J coupler	900-512	62685000
161	Gasket kit	1600-050RP	62370050
269	Cartridge assembly	1600-160RP	62370160



- (1) Please specify cast iron or bronze and pump model number
- (2) Please specify cast iron or bronze, motor frame size (48 or 56) and pump model number
- (3) Please specify pump number
- (4) Please specify HP and 115/60/1, 115/230/60/1, 200/60/3 or 230/460/60/3
- (5) Please specify cast iron or bronze and pump model number



HOUSTON
800/392-5066

ORLANDO
800/327-3022

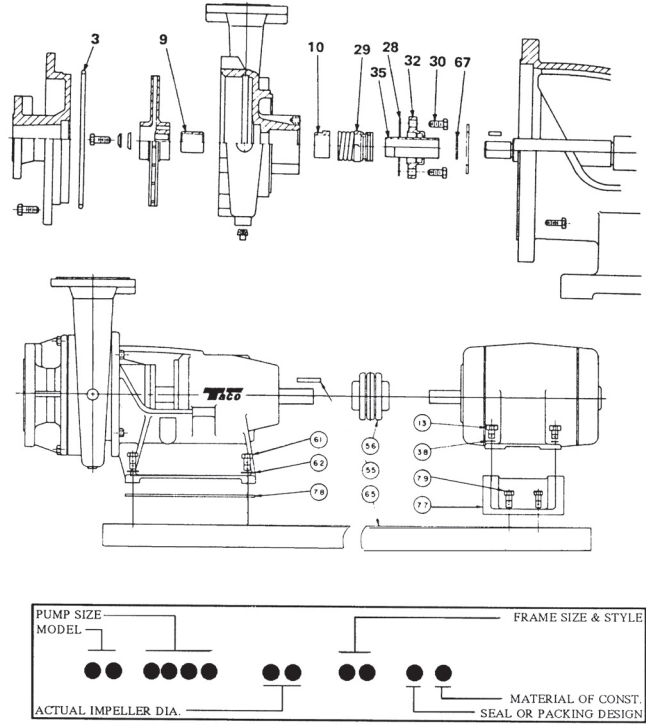
GREENVILLE
800/476-2212

LOOK FOR US ON THE WEB AT: www.TMSSouth.com

HEATING & HYDRONICS

REPLACEMENT PARTS FOR TACO "BB" BASE MOUNTED PUMPS

ITEM	DESCRIPTION	TACO PART #	TMS PART #
3	Suction cover o-ring	912-005RP	62379120
	Model 1508,2008,2508,3008,4008,5008	918-005RP	63379180
	Model 2006,2506,3006,4006	868-004RP	62378680
	Model 2012,3012,4012,5012	862-005RP	62378620
	Model 2510,3010,4010,5010,6010	862-104RP	62378621
9	Impeller spacer	(2) 900-026RP	62379000
		(3) 862-104RP	62378621
28	Retainer cap gasket	(3) 862-031RP	62372031
		(4) 900-011RP	62379011
		(5) 920-014RP	62378623
29	Water seal	(2) 900-024RP	62000204
		(3) 862-029RP	62000305
91	Water seal kit	(2) 840-128BRP	62370128
		(3) Items 28,29,35 & 6	862-172BRP
32	Retainer cap	(3) 862-100RP	62379025
		(4) 900-025RP	62370025
		(5) 920-020RP	62379202
35	Shaft Sleeve	(2) 900-027BRP	62379027
		(3) 862-101BRP	62378602
56	Coupler (1)		
67	Sleeve gasket	(2) 920-007RP	62379207
		(3) 862-113RP	62378613

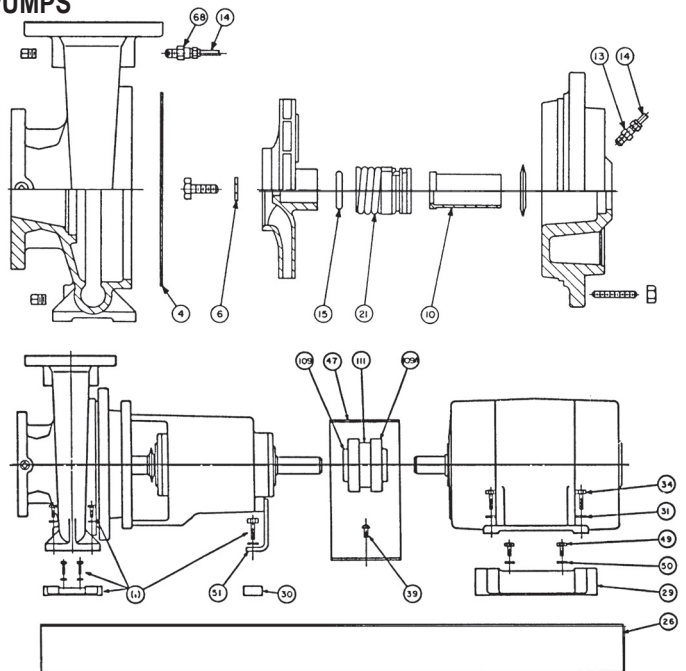


WHEN SELECTING & ORDERING PARTS, ALWAYS REFER TO SERIAL NUMBER ON NAME PLATE

- (1) Specify pump model number and motor size.
- (2) For models BB 1508, 2006, 2008, 2506, 2508, 2510, 2512, 3008, 4006
- (3) For models BB 3010, 3012, 4008, 4010, 4012, 5008, 5010, 5012, 6010
- (4) For models BB 1508, 2006, 2506, 3006
- (5) For models BB 2008, 2012, 2508, 2506, 2510, 3008, 4006

REPLACEMENT PARTS FOR TACO "FM" BASE MOUNTED PUMPS

ITEM	DESCRIPTION	TACO PART #	TMS PART #
4	Gasket		
6	Impeller washer		
10	Sleeve S/S or Bronze		
13	Fitting	862-031RP	
14	Tube		
15	Sleeve gasket		
21	Seal only-regular	(1) 950-664RP	
		(2) 950-665RP	
		(3) 950-666RP	
30	Seal kit (items 4, 6, 10, 15 & 21)	(1) 950-664BRP	62372210
		(2) 950-665BRP	62372220
		(3) 950-666BRP	62372230
68	Fitting		
109	Coupler (4)		
111	Coupler insert (4)		



- (1) For the following pump models FM 1206,1207,1208,1506,1507, 1508, FM 2006, 2007, 2506
- (2) For the following pump models FM 1210, 1510, 2008, 2010, 2507, 2508, FM 2510, 3007, 3008, 3010, 4008
- (3) For the following pump models FM 2513, 3013, 4010, 4013,4016,5010, FM 5013, 5016, 6013, 6016
- (4) Specify pump model & motor size



HOUSTON
800/392-5066

ORLANDO
800/327-3022

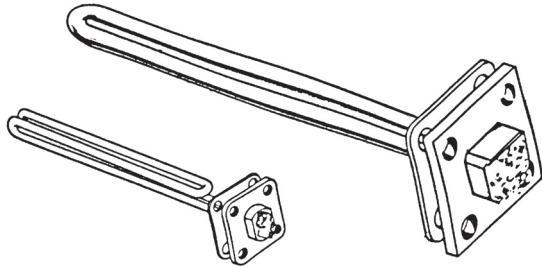
GREENVILLE
800/476-2212

LOOK FOR US ON THE WEB AT: www.TMSSouth.com

HEATING & HYDRONICS

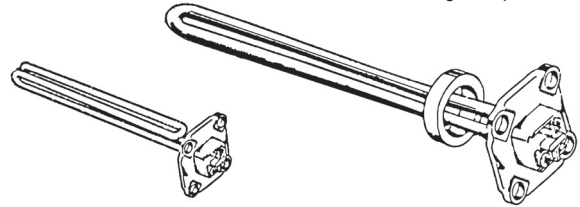
FLAT FLANGE ELEMENTS

PART #	WATTS	VOLTS	MIN. TANK	
			DIA.	TYPE
94491002	4500/3500	240/208	10"	Double loop
94491010	4500/3500	240/208	14"	Single loop
94491020	5000/3800	240/208	14"	Single loop
94491024	6000	208	16"	Double loop
94491030	6000	480	12"	Double loop



RAISED FLANGE ELEMENTS

PART #	WATTS	VOLTS	MIN. TANK	
			DIA.	TYPE
94492003	1500	120	8"	Single loop
94492004	2000	120	8"	Single loop
94492006	2000/1500	240/208	8"	Single loop
94492008	2500/2000	240/208	10"	Single loop
94492009	3000	240	10"	Single loop
94492010	3500/2500	240/208	12"	Single loop
94492012	4000	240	12"	Single loop
94492016	4500/3500	240/208	10"	Double loop
94492020	4500/3500	240/208	14"	Single loop
94492023	5500/4000	240/208	12"	Single loop
94492024	6000/4500	240/208	12"	Single loop



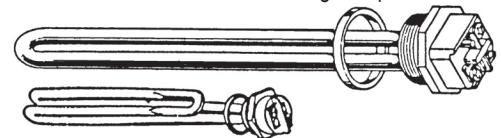
ROUND HEAD FLANGE ELEMENTS

PART #	WATTS	VOLTS	MIN. TANK	
			DIA.	TYPE
94492501	1500	120	8"	Single loop
94492502	2000	120	8"	Single loop
94492503	2500	120	10"	Single loop
94492504	4500/3500	240/208	10"	Double loop
94492506	4500	240	14"	Single loop



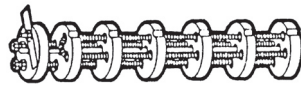
SCREW PLUG ELEMENTS

PART #	WATTS	VOLTS	MIN. TANK	
			DIA.	TYPE
94491502	1000	120	8"	Single loop
94491504	1500	120	8"	Single loop
94491506	2000	120	8"	Single loop
80200016	2500	120	10"	Single loop
94491514	2000/1500	240/208	8"	Single loop
94491516	3500/2500	240/208	12"	Single loop
94491522	4500/3500	240/208	10"	Double loop
80200007	4500/3500	240/208	14"	Single loop
94491532	5000/3800	240/208	12"	Single loop
94491536	5500/4000	240/208	12"	Single loop
94491538	5500/4000	240/208	12"	Double loop
94491540	6000/4500	240/208	12"	Single loop
94491544	6000	480	12"	Single loop



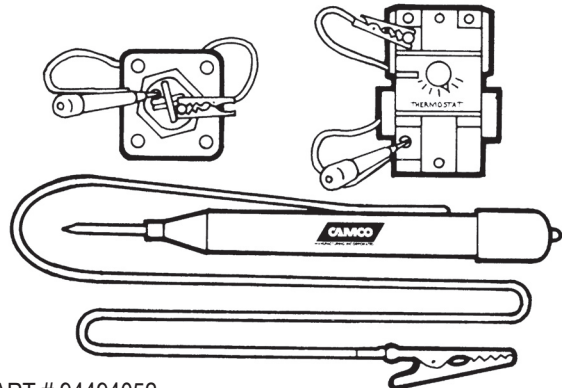
OPEN COIL ELEMENT

PART #	WATTS	VOLTS
94492802	1500	120



WATER HEATER CONTINUITY TESTER

Test elements and thermostats while they are still in the heater.
 Note: Electric service must be turned off at the circuit box.



PART # 94494052
 Replacement bulb - Order PART # 94494056

ORDERING FROM US IS EASY!

3 LOCATIONS:
 ORLANDO, FL
 HOUSTON, TX
 TAYLORS, SC

- PHONE • FAX
- MAIL • EDI
- EMAIL

OR PLACE IT WITH YOUR LOCAL SALES REPRESENTATIVE.

Mail orders to P.O. Box 68, Taylors, SC 29687

Email us at donnie@tmsouth.com



TOTAL MAINTENANCE SOLUTIONS

HOUSTON
 800/392-5066

ORLANDO
 800/327-3022

GREENVILLE
 800/476-2212

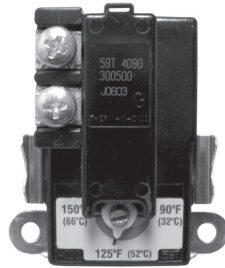
LOOK FOR US ON THE WEB AT: www.TMSSouth.com

HEATING & HYDRONICS

ELECTRIC WATER HEATER REPAIR KITS

INCLUDES THE FOLLOWING:

- Screw-in elements (2 ea) with gaskets
- Upper thermostat 208 volt-440/480 volt
- Lower thermostat 208 volt-440/480 volt
- Pressure & temperature relief valve 3/4 thread, 150 psi, 210° F*



Kit # 80200040 shown

* not included in all kits

PART # 80200017

*Kit Contains:
2 EA. 4,500 Watt, Screw-In Elements (with gaskets)
Upper & Lower Thermodisc Thermostats, 208 Volt through 440/480
(Packaged in a durable, convenient custom shelf box)*



PART # 80200018

*Kit Contains:
2 EA. 4,500 Watt, Screw-In Elements (with gaskets)
Upper & Lower Thermodisc Thermostats, 208 Volt through 440/480 Volt
3/4" Threaded Automatic Reseating Pressure-Temperature Relief Valve Rated @ 150 psi & 210 F Temperature. Fits all residential makes & models.
(Packaged in a durable, convenient custom shelf box)*



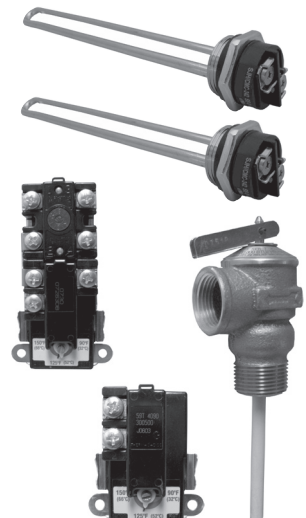
PART # 80200019

*Kit Contains:
2 EA. 2,500 Watt, Screw-In Elements (with gaskets)
Upper & Lower Thermodisc Thermostats, 208 Volt through 440/480 Volt
(Packaged in a durable, convenient custom shelf box)*



PART # 80200040

*Kit Contains:
2 EA. 2,500 Watt, Screw-In Elements (with gaskets)
Upper & Lower Thermodisc Thermostats, 208 Volt through 440/480 Volt
3/4" Threaded Automatic Reseating Pressure-Temperature Relief Valve Rated @ 150 psi & 210 F Temperature. Fits all residential makes & models.
(Packaged in a durable, convenient custom shelf box)*



TOTAL MAINTENANCE SOLUTIONS

HOUSTON
800/392-5066

ORLANDO
800/327-3022

GREENVILLE
800/476-2212

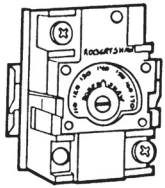
LOOK FOR US ON THE WEB AT: www.TMSSouth.com

HEATING & HYDRONICS

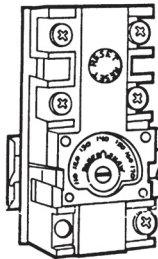
THERMOSTATS FOR ELECTRIC HEATERS

ROBERTSHAW

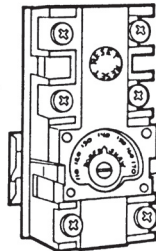
ITEM	PART #	DESCRIPTION
1	94494040	Single pole-lower,less reset
2	94494044	Single pole w/HLC for single element heater
3	94494042	Double pole with HLC-upper



94494040



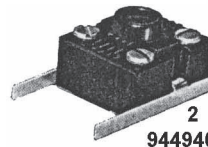
94494044



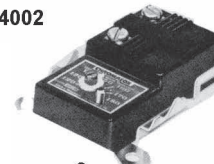
94494042

THERMODISC-OLD STYLE

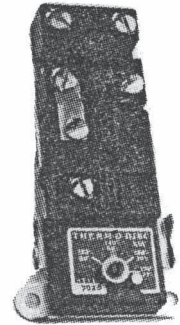
ITEM	PART #	DESCRIPTION
1	94494010	4 point - no high limit, less reset
2	94494002	High limit control for mounting on 94494010
3	80200010	2 point - lower control, less reset
4	94494006	4 point with high limit (NLA use 80200004)
5	94494004	2 point with high limit



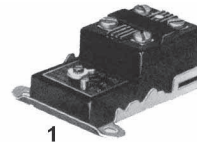
2
94494002



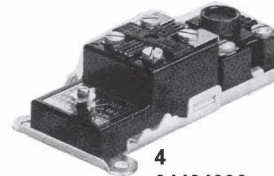
3
80200010



5
94494004



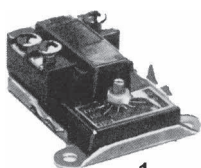
1
94494010



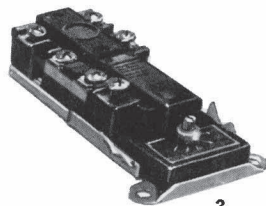
4
94494006
NLA use 80200004

THERMODISC-NEW STYLE

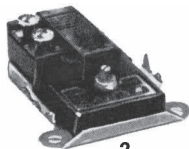
ITEM	PART #	DESCRIPTION
1	94494030	3 point - no high limit
2	94494034	2 point - lower control, less reset
3	94494036	2 point with high limit-single element control
4	80200004	3 point upper with high limit



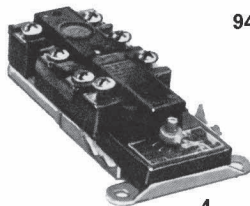
1
94494030



3
94494036



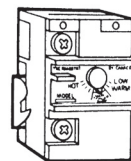
2
94494034



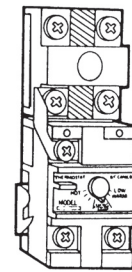
4
80200004

APCOM

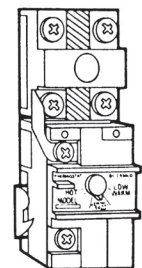
ITEM	PART #	DESCRIPTION
1	94494040	2 point, lower thermostat for two element heater, less reset
2	80200011	3 point w/ high limit, upper thermostat for two element heater
3	94494044	2 point w/ high limit for single element heater



1
94494040



2
80200011



3
94494044



**TOTAL
MAINTENANCE
SOLUTIONS**

HOUSTON
800/392-5066

ORLANDO
800/327-3022

GREENVILLE
800/476-2212

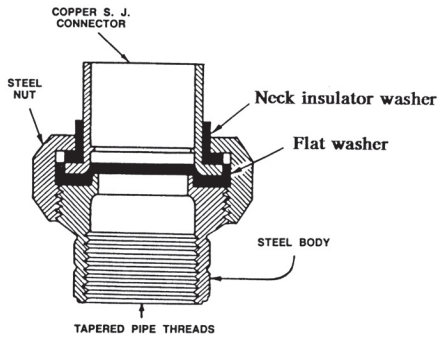
LOOK FOR US ON THE WEB AT: www.TMSSouth.com

HEATING & HYDRONICS

DIELECTRIC UNIONS

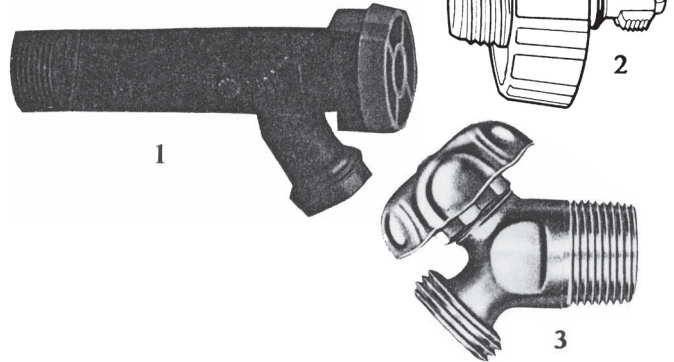
For connections between dissimilar or similar metals, in any plumbing system, to control corrosion caused by galvanic or electrolytic action.

PART #	DESCRIPTION
80200021	1/2" swt x 1/2" FIP
80200002	3/4" swt x 3/4" FIP
80200022	1" swt x 1" FIP
80200023	1-1/4" swt x 1-1/4" FIP
80200024	1-1/2" swt x 1-1/2" FIP
80200025	2" swt x 2" FIP
80200026	1/2" Neck insulator washer
80200027	3/4" Neck insulator washer
80200001	1/2" Flat washer
80200012	3/4" Flat washer
80200028	1" Flat washer



WATER HEATER DRAINS

ITEM	PART #	DESCRIPTION
1	94010351	3/4" NPT x 2-3/4" Poly drain
2	94010302	Master Flow drain
3	94201600	3/4" NPT brass drain



GAS LEAK DETECTOR FLUID

Fluid detects leaks in anything that can be tested with air or gas pressure. Dries clean

94494054	8 ounce bottle
94494056	1 gallon bottle



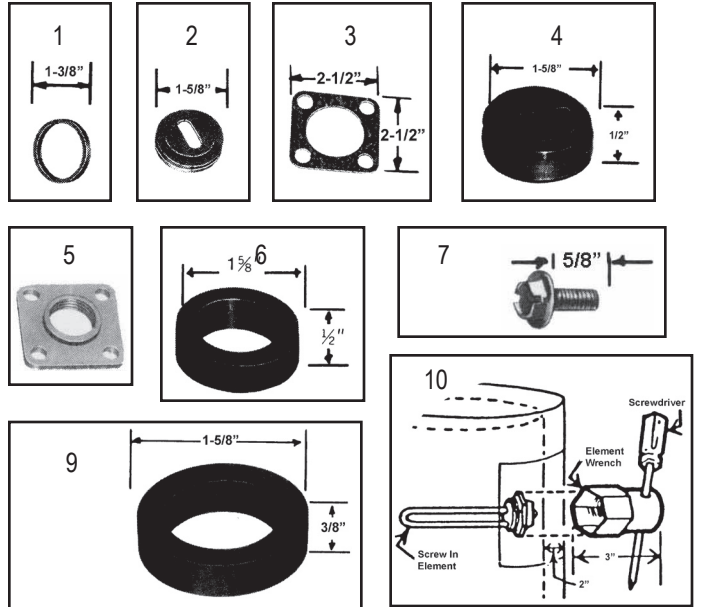
WATER HEATER DRAIN PANS

PART #	DESCRIPTION
94499913	24" Round water heater pan, high impact plastic, with 1" drain fitting
94499915	30" Round water heater pan, high impact plastic, with 1" drain fitting



WATER HEATER ELEMENT ACCESSORIES

ITEM	PART #	DESCRIPTION
1	94493008	Gasket for Screw Plug element
2	94493010	Gasket for Round Head element
3	94493012	Gasket for Flat & Raised Flange element when tank has flat 2-1/2" sq. tank flange
4	94493018	Slot gasket for Flat & Raised flange element when tank has recessed tank flange
5	94499908	Adapter flange for screw plug element
6	94493006	Gasket for Flat flange element when tank has recessed tank flange
7	94209910	Flange bolt
8	80200029	Gasket for all type elements when tank flange is twist lock type
9	80200030	Gasket for Flat flange element is recessed tank flange
10	80200031	Screw-in element wrench



HOUSTON
800/392-5066

ORLANDO
800/327-3022

GREENVILLE
800/476-2212

LOOK FOR US ON THE WEB AT: www.TMSSouth.com

HEATING & HYDRONICS

MINI-TANK ELECTRIC WATER HEATER

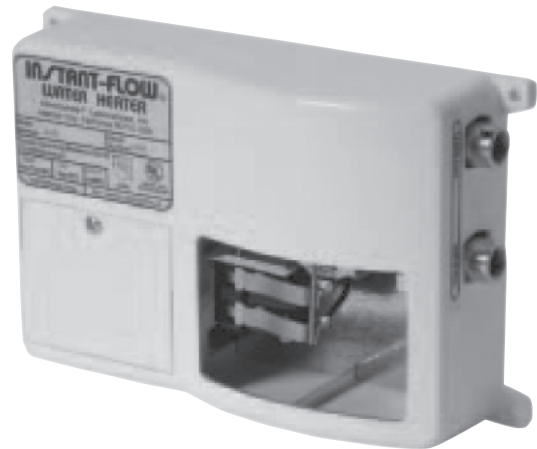
120V, 12.5 amp 1500 watts
 Recovery 90°F rise 7 gallons pre hour
 Temperature range 65° – 175°
 1/2" IP connection
 13-3/4" width x 13-3/4" height x 10-3/4" depth

PART #	DESCRIPTION
94001102	2.5 gallon
94001104	4.0 gallon



INSTANT-FLOW TANKLESS ELECTRIC WATER HEATERS

.5 gpm flow rate. 110-120V, 15amp, 1800 watts with 24°F temperature rise.
 10-1/8" width x 6-1/4" height x 2-3/4" depth
 PART # 80100209



INSTANT FLOW TANKLESS GAS HEATERS ALSO AVAILABLE



NORITZ



TAKAGI



**TOTAL
 MAINTENANCE
 SOLUTIONS**

HOUSTON
 800/392-5066

ORLANDO
 800/327-3022

GREENVILLE
 800/476-2212

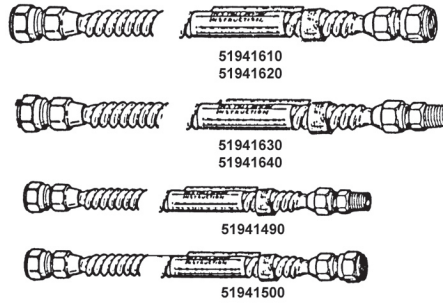

LOOK FOR US ON THE WEB AT: www.TMSSouth.com

HEATING & HYDRONICS

GAS APPLIANCE CONNECTORS

EPOXY COATED - CORRUGATED BRASS TUBING

3/8" O.D.		
51941400	12"	3/8" F.I.P. X 3/8" F.I.P.
7/8" O.D. (1/2" Nom. I.D. 15/16" - 16 Thread)		
PART #	LENGTH	DESCRIPTION
51941610	18"	3/4" F.I.P. X 3/4" F.I.P.
51941620	24"	3/4" F.I.P. X 3/4" F.I.P.
51941630	18"	3/4" F.I.P. X 3/4" M.I.P.
51941640	24"	3/4" F.I.P. X 3/4" M.I.P.

AGA GAS BALL VALVES

PART #	SIZE
57165512	1/2"
57165524	3/4"

1/2" O.D. (1/2" Nom. I.D.) WITH END FITTINGS		
PART #	LENGTH	DESCRIPTION
51941490	18"	1/2" F.I.P. X 1/2" M.I.P.
51941500	24"	1/2" F.I.P. X 1/2" F.I.P.

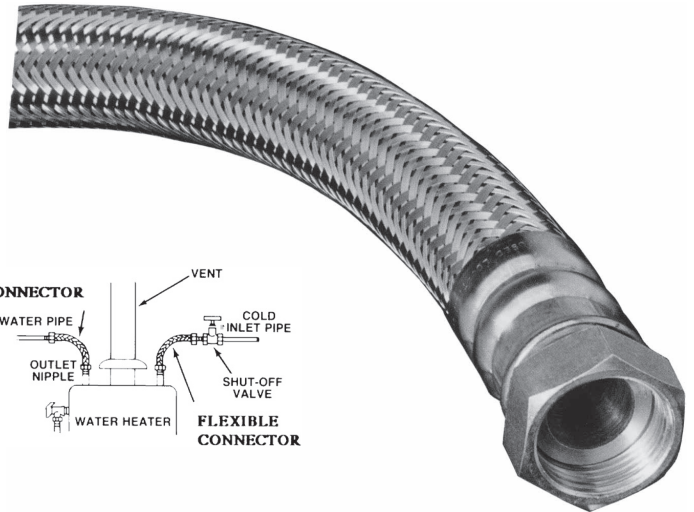
	PART #	DESCRIPTION
	40902388	3/8" Flare x 3/8" MIP
	40902389	3/8" Flare x 1/2" MIP
	40902350	1/2" Flare x 1/2" MIP
	40902372	3/8" Flare x 3/8" FIP
	40902373	3/8" Flare x 1/2" FIP
	40902374	1/2" Flare x 1/2" FIP
	89381632	3/8" Flare x 3/8" FIP Ell
	89381634	1/2" Flare x 1/2" FIP Ell

CORRUGATED STAINLESS STEEL TUBING

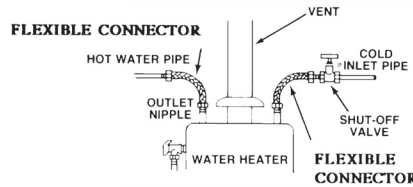
7/8" O.D. (1/2" Nom. I.D.) WITH END FITTINGS		
PART #	LENGTH	DESCRIPTION
51941710	18"	3/4" F.I.P. X 3/4" F.I.P.
51941720	24"	3/4" F.I.P. X 3/4" F.I.P.
51941730	18"	3/4" F.I.P. X 3/4" M.I.P.
51941740	24"	3/4" F.I.P. X 3/4" M.I.P.

FLEXIBLE WATER HEATER CONNECTORS

Braided stainless steel outer covering with inner core of non-toxic polymer which is suitable for water temperatures up to 230 F. Fittings are permanently attached with leakproof, 12 - point crimps.



PART #	DESCRIPTION
80200032	3/4" FIP x 3/4" FIP x 12"
80200013	3/4" FIP x 3/4" FIP x 18"
80200014	3/4" FIP x 3/4" FIP x 24"
51022038	3/4" MIP x 5/8" O.D. Comp. x 12"
51022042	3/4" MIP x 5/8" O.D. Comp. x 18"
51022026	3/4" MIP x 7/8" O.D. Comp. x 12"
40800579	3/4" MIP X 7/8" O.D. Comp. x 18"
51022028	3/4" FIP x 7/8" O.D. x 12"
40800520	3/4" FIP x 7/8" O.D. x 18"
51022034	3/4" FIP x 7/8" x 24"
80200033	12" Copper water heater connection
40800842	18" Copper water heater connection
80200015	24" Copper water heater connection



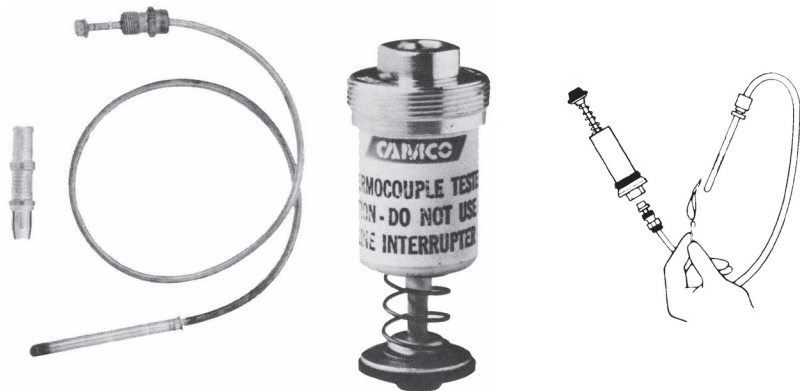
UNIVERSAL THERMOCOUPLE KITS

PART #	SIZE
94474206	18"
94474208	24"
94474210	30"
94474212	36"
94474214	48"

THERMOCOUPLE TESTER

Test old thermocouples before replacing, and check new ones before installation. Comes with instructions.

PART # 94494050



HOUSTON
800/392-5066

ORLANDO
800/327-3022

GREENVILLE
800/476-2212

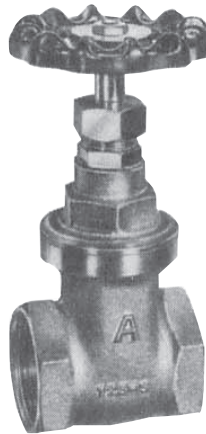
LOOK FOR US ON THE WEB AT: www.TMSSouth.com

PLUMBING VALVES

BRONZE GATE VALVES

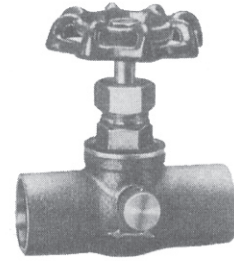
125 psi. SWP 200 psi WOG
 -Threaded ends -Non-rising stem -Solid wedge disc

DOMESTIC		IMPORT
PART #	DESCRIPTION	PART #
40300250	1/4"	40300260
40300251	3/8"	40300261
40300252	1/2"	40300262
40300206	3/4"	40300263
40300254	1"	40300264
40300255	1-1/4"	40300265
40300256	1-1/2"	40300266
40300257	2"	40300267
40300258	2-1/2"	40300268
40300259	3"	



BRONZE STOP & WASTE

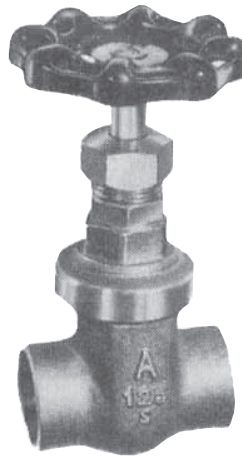
PART #	DESCRIPTION
40300035	1/2" sweat
40300036	3/4" sweat



BRONZE GATE VALVES

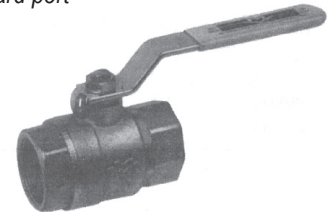
125 psi. SWP 200 psi WOG
 -Sweat ends
 -Non-rising stem
 -Solid wedge disc

DOMESTIC		IMPORT
PART #	DESCRIPTION	PART #
40300269	3/8"	57021018
40300270	1/2"	40300276
40300271	3/4"	40300277
40300272	1"	40300278
40300273	1-1/4"	40300279
40300274	1-1/2"	40300280
40300275	2"	40300281



BRONZE BALL VALVES

150 psi SWP, 600 psi WOG
 Teflon packing and seals
 Standard port

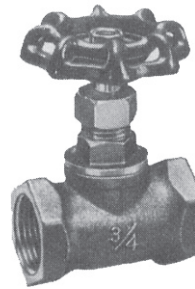


DOMESTIC

PART #	DESCRIPTION
40300090	1/4", THREADED
40300091	3/8", THREADED
40300092	1/2", THREADED
40300093	3/4", THREADED
40300094	1", THREADED
40300095	1-1/4", THREADED
40300096	1-1/2", THREADED
40300097	2", THREADED
40300308	1/4" SWEAT
40300293	3/8", SWEAT
40300098	1/2", SWEAT
40300099	3/4", SWEAT
40300100	1", SWEAT
40300101	1-1/4", SWEAT
40300102	1-1/2", SWEAT
40300103	2", SWEAT

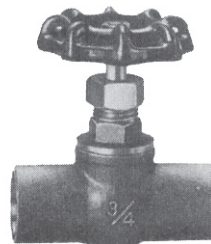
BRONZE STOP VALVES

DOMESTIC		IMPORT
PART #	DESCRIPTION	PART #
40300283	1/4" Iron pipe thread	
57842032	3/8" Iron pipe thread	
40300284	1/2" Iron pipe thread	57021034
40300285	3/4" Iron pipe thread	57021036



BRONZE STOP VALVES

DOMESTIC		IMPORT
PART #	DESCRIPTION	PART #
40300286	3/8" sweat	
40300207	1/2" sweat	57021040
40300288	3/4" sweat	57021042



IMPORT

PART #	DESCRIPTION
57021101	1/4", THREADED
57021102	3/8", THREADED
40300205	1/2", THREADED
57021106	3/4", THREADED
40300232	1", THREADED
40300233	1-1/4", THREADED



**TOTAL
 MAINTENANCE
 SOLUTIONS**

HOUSTON
 800/392-5066

ORLANDO
 800/327-3022

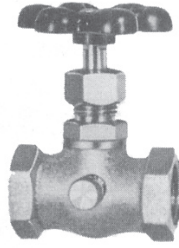
GREENVILLE
 800/476-2212

LOOK FOR US ON THE WEB AT: www.TMSSouth.com

PLUMBING VALVES

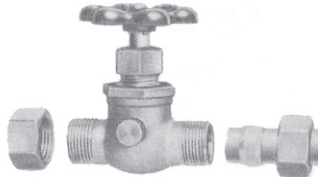
BRONZE STOP & WASTE

PART #	DESCRIPTION
57842044	3/8" Iron pipe thread
57842046	1/2" Iron pipe thread
57842048	3/4" Iron pipe thread



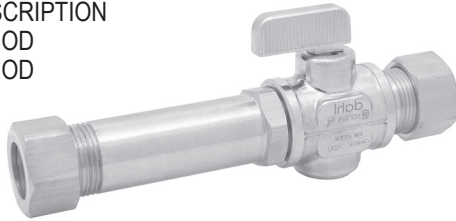
BRONZE STOP & WASTE

PART #	DESCRIPTION
40300033	1/2" Copper comp.
40300034	3/4" Copper comp.



DAHL COMPRESSION REPLACEMENT VALVE

PART #	DESCRIPTION
57841933	5/8" OD
57841935	7/8" OD

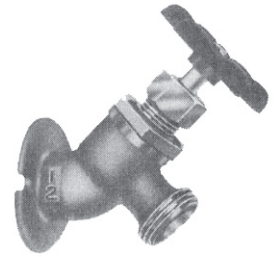


BRONZE SILLCOCK

Cast bronze body with flange

DOMESTIC

PART #	DESCRIPTION
40350063	1/2" iron pipe thread
40300064	3/4" iron pipe thread



IMPORT

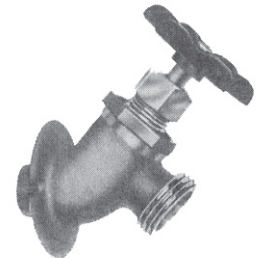
PART #	DESCRIPTION
40300234	1/2" IPS Sillcock
57021070	3/4" IPS Sillcock

BRONZE SILLCOCK

Cast body with flange

DOMESTIC

PART #	DESCRIPTION
40350065	1/2" sweat
40350066	3/4" sweat



IMPORT

57021072	1/2" Sweat sillcock
57021074	3/4" Sweat sillcock

Did You Know?

The average person spends less than 1% of his or her personal expenditure dollars for water, water waste and water disposal services.

— Source: US Environmental Protection Agency

BRASS HOSE BIBBS

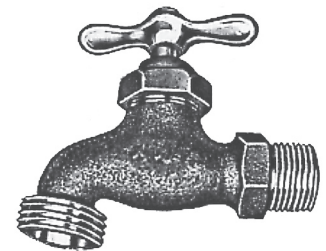
Plain brass.

DOMESTIC

PART # 40300176	1/2" MIP
PART # 40350081	3/4" MIP

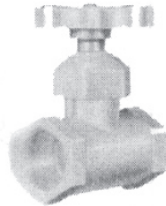
IMPORT

PART # 57021080	1/2" Hose bibb
PART # 57021082	3/4" Hose bibb



PVC GLOBE (STOP) VALVES

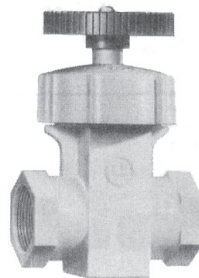
PART #	DESCRIPTION
57928212	1/2" solvent weld
57928213	3/4" solvent weld



PVC GATE VALVES

Cold fluid, rated to 150 psi @ 73°F

PART #	DESCRIPTION
57928206	1/2" solvent weld
57928200	1/2" threaded
57928306	3/4" solvent weld
57928300	3/4" threaded

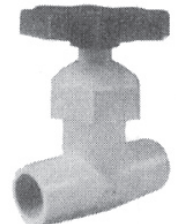


CPVC GLOBE (STOP) VALVES

Hot & cold fluids

Rated to 100 psi @ 80°F

PART #	DESCRIPTION
57928112	1/2"
57928113	3/4"



**TOTAL
MAINTENANCE
SOLUTIONS**

HOUSTON
800/392-5066

ORLANDO
800/327-3022

GREENVILLE
800/476-2212

LOOK FOR US ON THE WEB AT: www.TMSSouth.com

PLUMBING VALVES

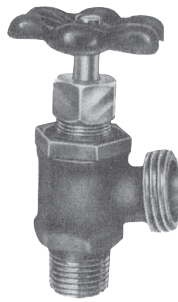
BRONZE BOILER DRAIN

DOMESTIC

PART #	DESCRIPTION
40350072	1/2" Iron pipe thread
40350023	3/4" Iron pipe thread

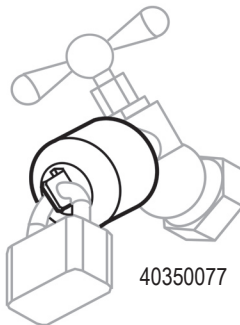
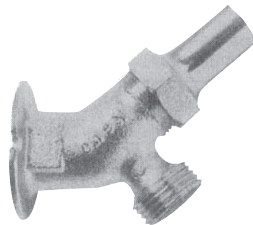
IMPORT

40300197	1/2" Iron pipe thread
57021078	3/4" Iron pipe thread



CHROME PLATED LOOSE KEY SILLCOCK

PART #	DESCRIPTION
40300201	1/2" Iron pipe thread
57842067	3/4" Iron pipe thread
40350077	Hose Bibb Lockout



PVC BALL VALVES – SCH. 40

SLIP X SLIP	SIZE	THREAD X THREAD	PART #
	1/2"		57002010
	3/4"		57002020
	1"		57002030
	1-1/4"		57002040
	1-1/2"		57002050
	2"		57002060



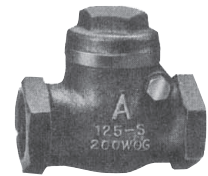
CPVC BALL VALVES – SCH. 40

57000903	1/2"
57000905	3/4"

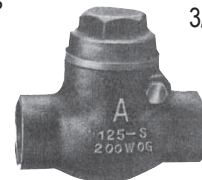
BRONZE SWING CHECK VALVES

- Bronze Body & Disc
- Side Plug
- Ratings 125 psi SWP, 200 psi WOG

PART #	DESCRIPTION
40300046	1/2" Threaded ends
40300047	3/4" Threaded ends
40300048	1" Threaded ends
57021088	1/2" Sweat ends
57021090	3/4" Sweat ends



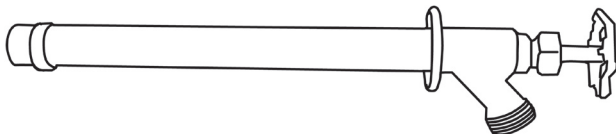
Threaded Ends
3/8" thru 3"



Sweat Ends
1/2" thru 3"

ANTI-FREEZE SILLCOCKS

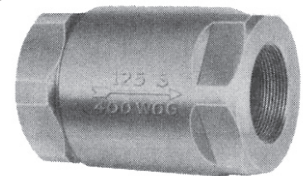
PART #	DESCRIPTION
57842120	NIBCO 4" Wall anti-freeze sillcock 3/4" MPT or 1/2" FPT
57842122	NIBCO 6" Wall anti-freeze sillcock 1/2" MPT or 1/2" FPT
57842124	NIBCO 8" Wall anti-freeze sillcock 1/2" MPT or 1/2" FPT
57842126	NIBCO 10" Wall anti-freeze sillcock 1/2" MPT or 1/2" FPT
57842128	NIBCO 12" Wall anti-freeze sillcock 1/2" MPT or 1/2" FPT



"BALL-CONE" CHECK VALVES

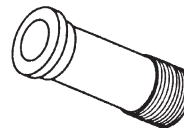
- Bronze body & guide (available in S/S)
- Stainless Steel spring
- Ball check - glass filled TFE Teflon
- Rating 125 psi SWP, 400 psi WOG
- Available from 1/4" thru 3"

PART #	DESCRIPTION
40300055	1/4"
40300057	1/2"
40300058	3/4"
40300059	1"



WATER METER NIPPLES WITH NUT AND GASKET

PART #	DESCRIPTION
55130358	1/2" x 2-3/8" - 5/8" meter
55130334	3/4" x 2-1/2" - 1" meter



**TOTAL
MAINTENANCE
SOLUTIONS**

HOUSTON
800/392-5066

ORLANDO
800/327-3022

GREENVILLE
800/476-2212

LOOK FOR US ON THE WEB AT: www.TMSSouth.com

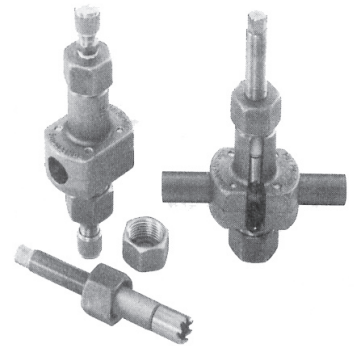
PLUMBING VALVES

ADD-A-VALVE

A defective valve may be replaced or a new ball valve may be installed on Hot (220F/104C) or Cold Water, including Hot or Chilled H₂O Glycol Systems, under pressure, from 0 to 250 PSI/17 bar max., on M,L,K or *Metric copper tubing, without shutting off the water, in 30 minutes or less. (*Specify)

Pipe Size	Copper Pipe
1/2"	57491010
3/4"	57941020
1"	57941030
1-1/4"	57941040
1-1/2"	57941050
2"	57941060

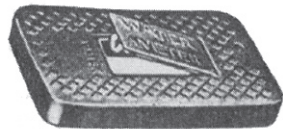
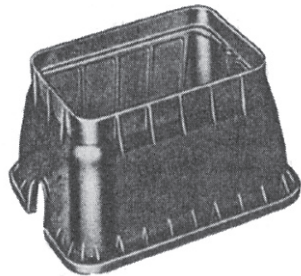
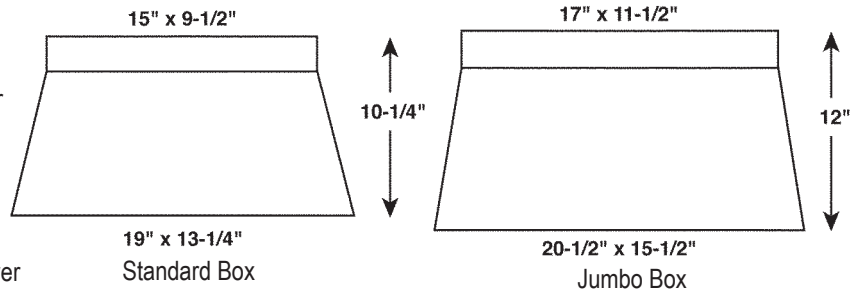
IMPORTANT:
On sizes 1-1/4"-2" on multi-story buildings, the pumps MUST be shut off prior to the Add-A-Valve Package installation



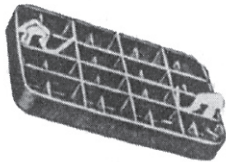
All ADD-A-VALVE's for copper are shipped with a ball valve.

METER BOX – ASSEMBLIES

PART #	DESCRIPTION
40750012	Jumbo meter box w/ reader lid cover
94022020	Standard meter box w/ green CV cover



Reader Lid Cover



Solid Cover



94023040



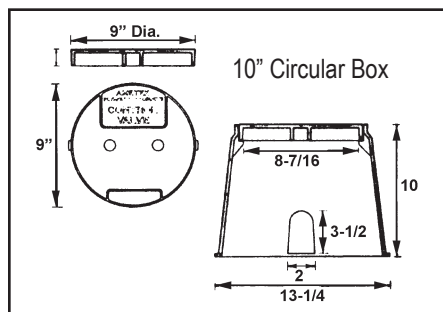
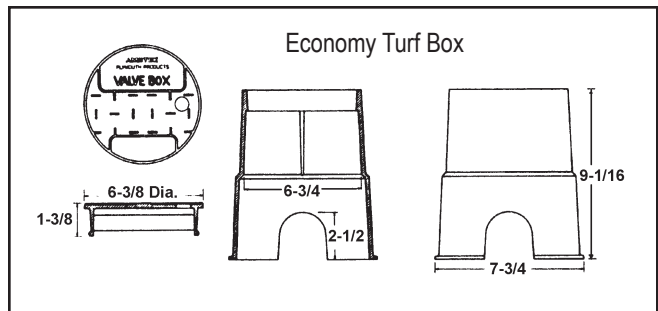
94023045

METER BOX – COVERS

PART #	DESCRIPTION
94022050	Solid cover for standard box – water
94022060	Solid cover for standard box – green CV
94022070	Reader lid cover for standard box
94022075	Reader lid for jumbo box
94022080	Solid cover for jumbo box – water
94022085	Solid cover for jumbo box – green CV

VALVE BOXES

PART #	DESCRIPTION
94022090	Economy turf box w/ cover
94022095	Cover only for economy turf
94023010	10" Circular box w/ cover
94023020	Cover only (green) for 10" circular box
94023030	Cover only (black) for 10" circular box
94023040	Snaplock unlocking tool
94023045	Cover lifting tool



**TOTAL
MAINTENANCE
SOLUTIONS**

HOUSTON
800/392-5066

ORLANDO
800/327-3022

GREENVILLE
800/476-2212

LOOK FOR US ON THE WEB AT: www.TMSSouth.com

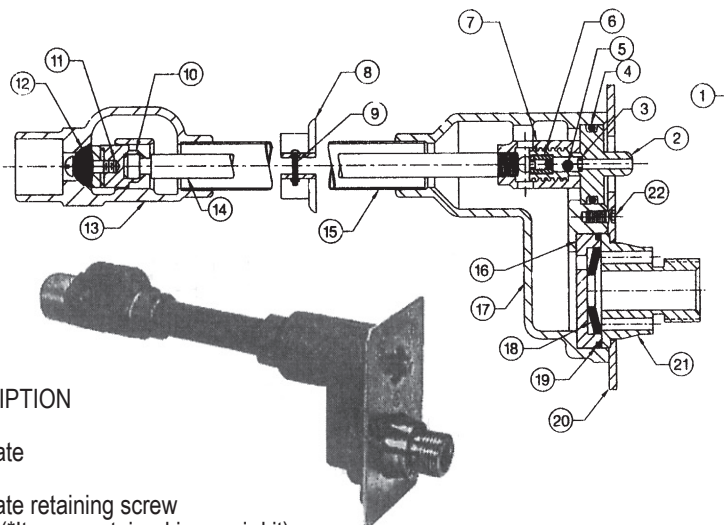
PLUMBING VALVES

JONESPEC HYDRANT MODELS HY – 2800 & HY – 2805

ITEM	DESCRIPTION
1*	Tee key
2*	Operating screw
3*	O-ring
4*	O-ring
5*	Stainless steel ball
6*	Set screw
7*	Operating coupling
8	Wall clamp
9	Clamp screw
10	Guide
11*	Retaining screw
12*	Plunger
13	Housing casting
14	Operating rod
15	Copper casing
16	Disc
17	Head casting
18*	Equal – Balance seal

ITEM	DESCRIPTION
19*	O – ring
20	Face plate
21	Nozzle
22	Face plate retaining screw

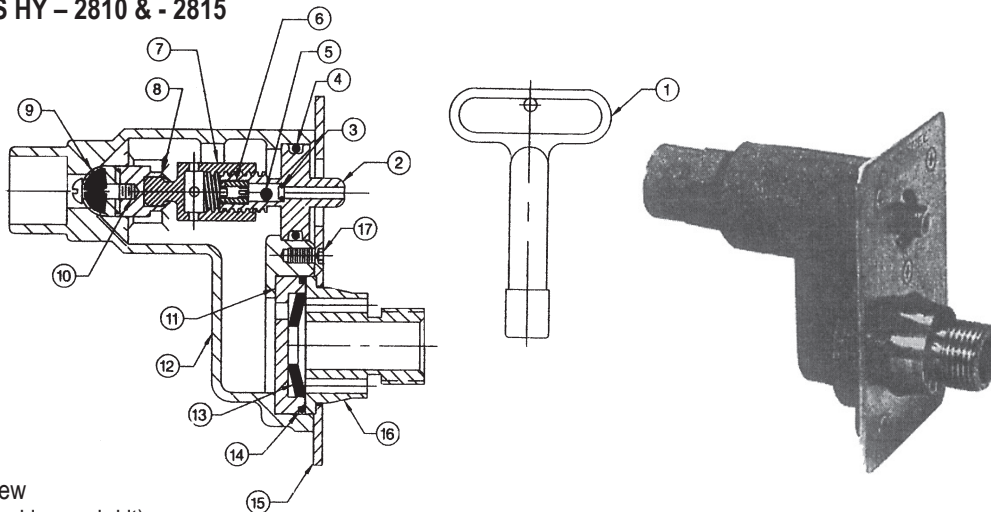
Repair Kit 39402800 (*Items contained in repair kit)



JONESPEC HYDRANT MODELS HY – 2810 & - 2815

ITEM	DESCRIPTION
1*	Tee key
2*	Operating screw
3*	O-ring
4*	O-ring
5*	Stainless steel ball
6*	Set screw
7*	Operating coupling
8	Guide
9*	Plunger
10*	Retaining screw
11	Disc
12	Head casting
13*	Equa – Balance seal
14*	O – Ring
15	Face Plate
16	Nozzle
17	Face plate retaining screw

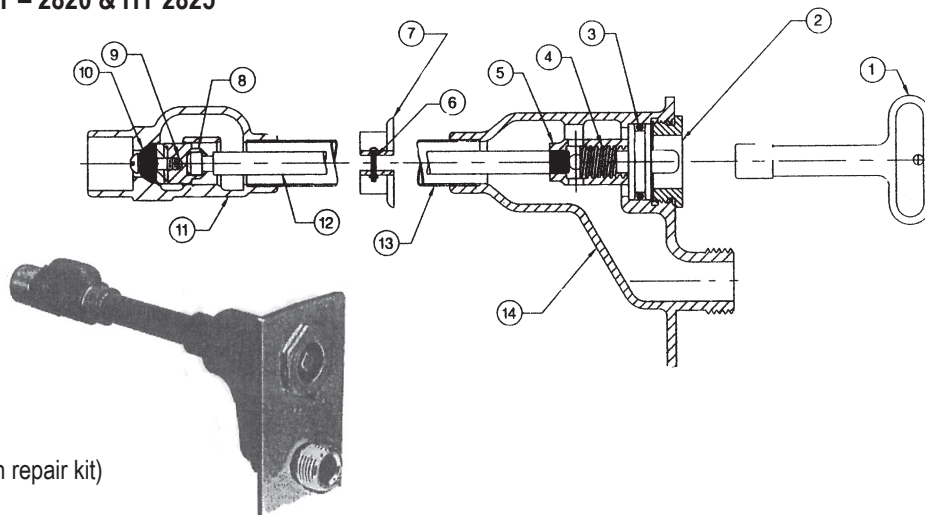
Repair Kit 39402810 (*Items contained in repair kit)



JONESPEC HYDRANT MODELS HY – 2820 & HY 2825

ITEM	DESCRIPTION
1*	Tee key
2	Face Nut
3*	O-Ring
4	Operating screw
5*	Operating coupling
6	Clamp screw
7	Wall clamp
8	Guide
9*	Retaining screw
10*	Plunger
11	House casting
12	Operating rod
13	Copper casing
14	Head casting

Repair Kit 39402820 (*Items contained in repair kit)



**TOTAL
MAINTENANCE
SOLUTIONS**

HOUSTON
800/392-5066

ORLANDO
800/327-3022

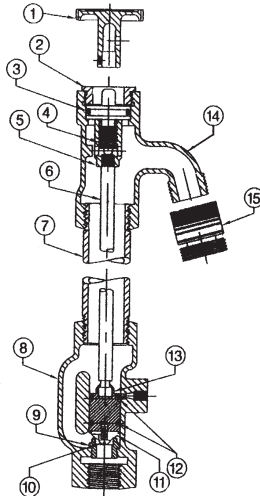
GREENVILLE
800/476-2212

LOOK FOR US ON THE WEB AT: www.TMSSouth.com

PLUMBING VALVES

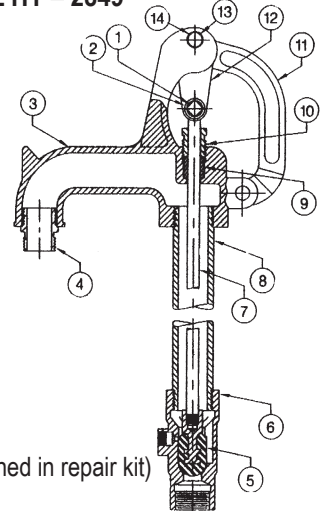
JONESPEC HYDRANT MODEL HY - 2845

- | ITEM | DESCRIPTION |
|------|--------------------|
| 1* | Tee key |
| 2 | Face nut |
| 3* | O-Ring |
| 4* | Operating screw |
| 5* | Operating coupling |
| 6 | Operating rod |
| 7 | Galvanized casing |
| 8 | Housing casting |
| 9 | Removable seat |
| 10* | Retaining screw |
| 11* | Plunger |
| 12* | O-Ring |
| 13 | Guide |
| 14 | Head casting |
| 15 | Vacuum breaker |
- Repair Kit 39402845
(* Items contained in repair kit)



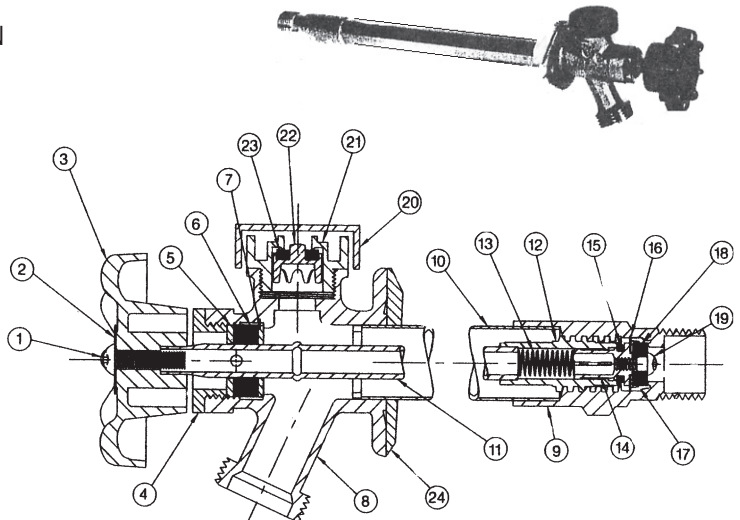
JONESPEC HYDRANT MODEL HY - 2849

- | ITEM | DESCRIPTION |
|------|-------------------|
| 1 | Set screw |
| 2 | Pivot link |
| 3 | Head casting |
| 4 | 3/4" hose adapter |
| 5* | Plunger |
| 6 | Housing casting |
| 7 | Operating rod |
| 8 | Galvanized casing |
| 9* | Graphite packing |
| 10* | Packing nut |
| 11 | Handle |
| 12* | Linkage |
| 13* | Pushnut |
| 14 | Handle cap screw |
- Repair Kit 39402849 (*Items contained in repair kit)



JONESPEC HYDRANT MODEL HY - 2875

- | ITEM | DESCRIPTION | ITEM | DESCRIPTION |
|------|-----------------|------|---------------|
| 1 | Handle screw | 17 | Washer holder |
| 2 | Name tag | 18 | Washer |
| 3 | Handle | 19 | Washer screw |
| 4 | Packing nut | 20 | Cap |
| 5 | Washer | 21 | Bonnet |
| 6 | Packing | 22 | Float |
| 7 | Washer | 23 | Washer |
| 8 | Housing | 24 | Wall support |
| 9 | Inlet housing | | |
| 10 | Casing | | |
| 11 | Tube | | |
| 12 | Washer housing | | |
| 13 | Spring | | |
| 14 | Washer retainer | | |
| 15 | O-ring | | |
| 16 | Diaphragm | | |
- Repair Kit 39402875
(* Items contained in repair kit)



MIFAB UNIVERSAL REPLACEMENT INTERNAL ASSEMBLY FOR MHY-10, 15, 20 SERIES HYDRANTS

PART # 40300351

MIFAB UNIVERSAL REPLACEMENT INTERNAL ASSEMBLY FOR MHY-30/50 SERIES HYDRANTS

PART # 40300352

Includes:

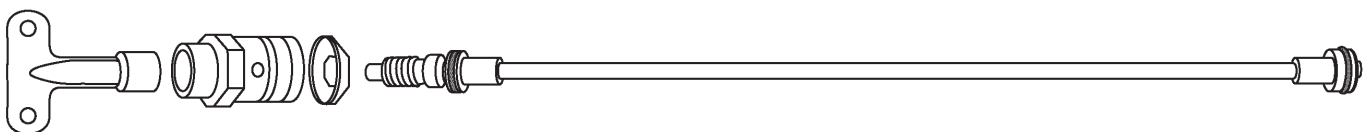
Hydrant operating key

Head nut

Spray Guard

Worm Stem

Operating rod (which can be cut to fit)



**TOTAL
MAINTENANCE
SOLUTIONS**

HOUSTON
800/392-5066

ORLANDO
800/327-3022

GREENVILLE
800/476-2212

LOOK FOR US ON THE WEB AT: www.TMSSouth.com

PLUMBING VALVES

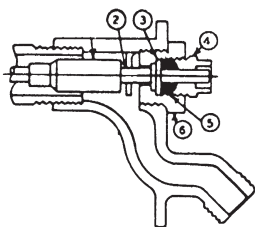
KIT FOR 1400N – 1410 OLD STYLE & TRI-TEMP WALL HYDRANT SERIES 71650

Josam recommends that a complete hydrant repair kit be installed when it becomes necessary to repair a hydrant. Individual parts are available upon request.

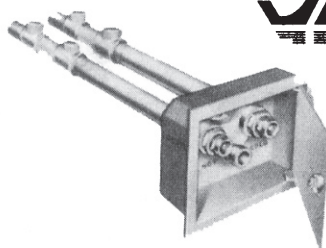
PART # 40300168



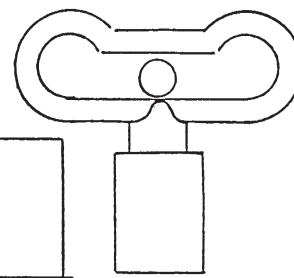
ITEM	QTY
#1 T-handle	1
#2 Worm stem	1
#3 Brass washer	1
#4 Packing Nut	1
#5 Packing	1
#12 Nylon seat	1
#15 Plunger assy.	1



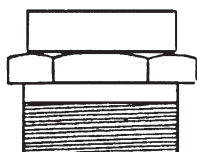
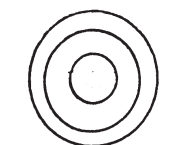
1400N-1410 Series



T-Handle #1



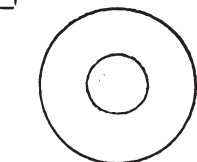
Plunger Assembly #15
39471050



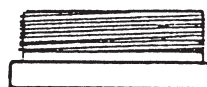
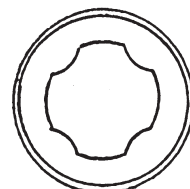
Packing Nut #4
39471008



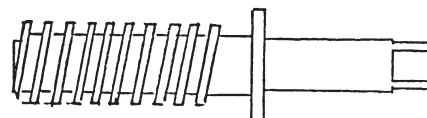
Packing #5



Brass Washer #3



Nylon Seat #12
39471032



Worm Stem #2
40300010

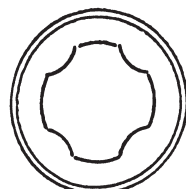
KIT FOR 71500 – 71550 NEW STYLE & 71650 NEW STYLE

PART # 40300178

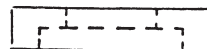
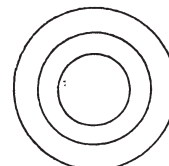
ITEM	QTY
#1 T-handle	1
#2 Worm stem	1
#3 Brass washer	1
#4 Packing Nut	1
#5 Packing	1
#12 Nylon seat	1
#15 Plunger assy.	1
#37 Retainer seal	1
#38 Worm stem seal	1



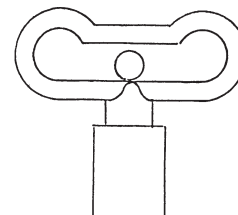
Brass Washer



Nylon Seat #12



Retainer Seal #37

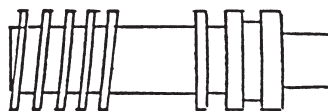
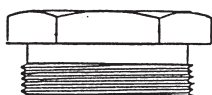


T-Handle #1



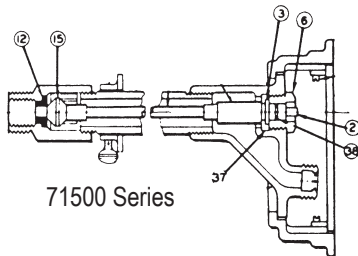
Worm Stem Seal #38

Stem Nut #6

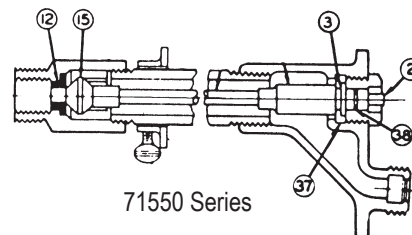


Worm Stem #2

Plunger Assembly #15



71500 Series



71550 Series



TOTAL MAINTENANCE SOLUTIONS

HOUSTON
800/392-5066

ORLANDO
800/327-3022

GREENVILLE
800/476-2212

LOOK FOR US ON THE WEB AT: www.TMSSouth.com

PLUMBING VALVES

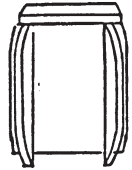
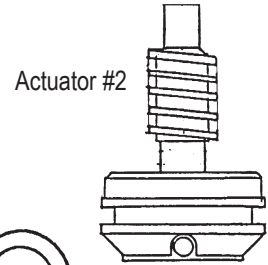
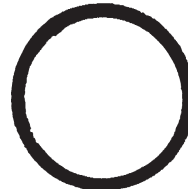
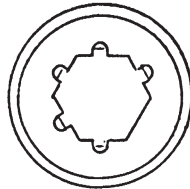
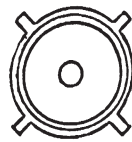
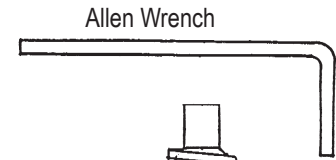
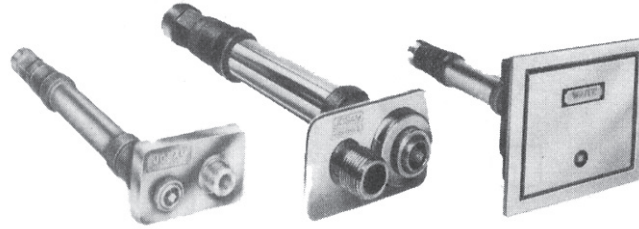
KIT FOR HYDRASAN I OR II – NON-FREEZE

Josam recommends that a complete hydrant repair kit be installed when it becomes necessary to repair a hydrant. Individual parts are available upon request.

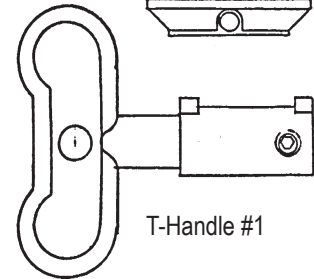
PART # 40300169



ITEM	QTY
#1 Key	1
#2 Actuator	1
#4 Shuttle	1
#5 Pressure assist seal	1
#6 Pressure relief O-ring	1
#15 Seat Allen wrench	1



O-ring #6



Shuttle #4

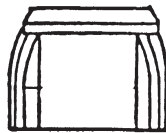
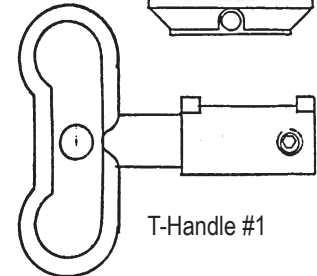
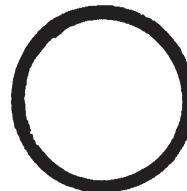
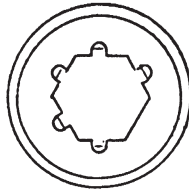
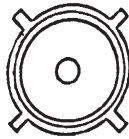
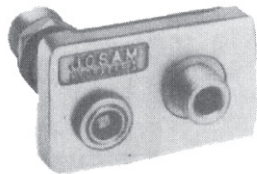
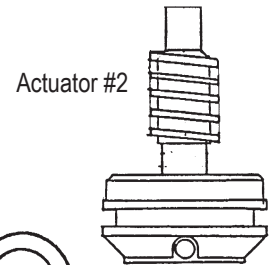
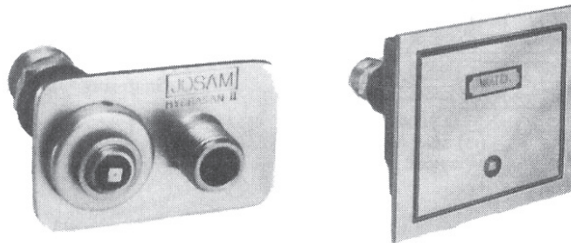
Seal/Seat #5/#15

T-Handle #1

KIT FOR HYDRASAN I OR II – MILD CLIMATE

PART # 40300195

ITEM	QTY
#1 Key	1
#2 Actuator	1
#4 Shuttle	1
#5 Pressure assist seal	1
#6 Pressure relief O-ring	1



O-ring #6

Shuttle #4

Seal/Seat #5/#15

T-Handle #1



**TOTAL
MAINTENANCE
SOLUTIONS**

HOUSTON
800/392-5066

ORLANDO
800/327-3022

GREENVILLE
800/476-2212

LOOK FOR US ON THE WEB AT: www.TMSSouth.com

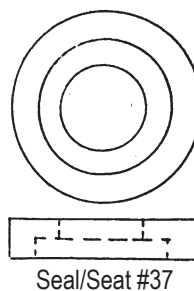
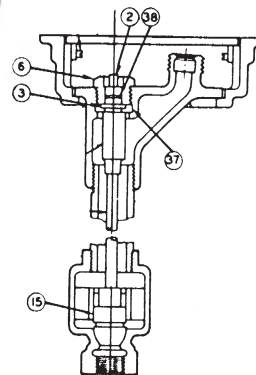
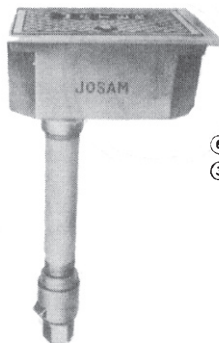
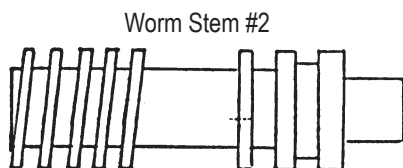
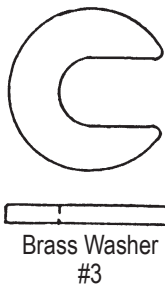
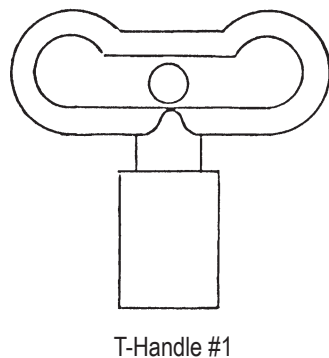
PLUMBING VALVES

KIT FOR 71600 SERIES YARD HYDRANT 3/4" OR 1"

Josam recommends that a complete hydrant repair kit be installed when it becomes necessary to repair a hydrant. Individual parts are available upon request.

PART # 39471040

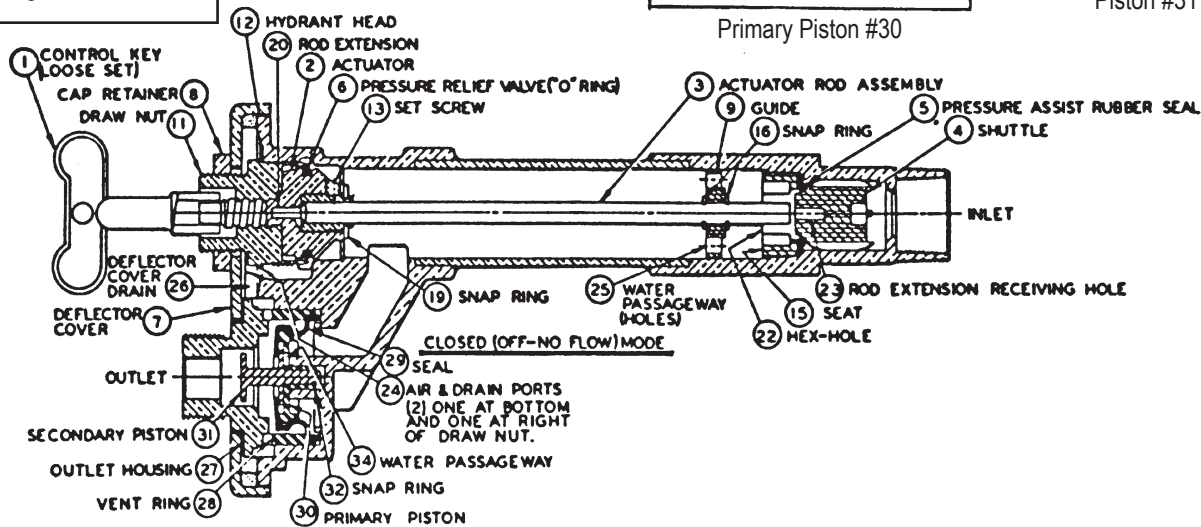
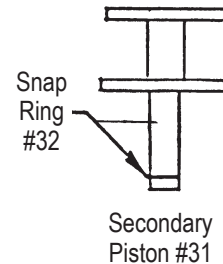
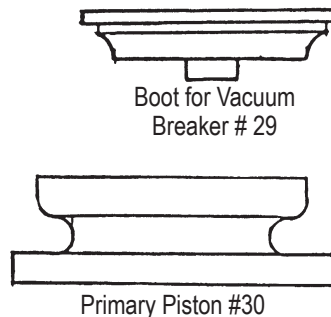
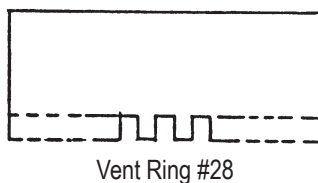
ITEM	QTY
#2 Worm Stem	1
#3 Brass Washer	1
#15 Plunger Assembly	1
#37 Seal/Seat	1
#38 O-ring	1



KIT FOR HYDRASAN I OR II VACUUM BREAKER

PART # 39471042

ITEM	QTY
#28 Vent ring	2
#29 Boot for V/B	2
#30 Primary piston	2
#31 Secondary piston	2
#32 Snap ring	2



TOTAL MAINTENANCE SOLUTIONS

HOUSTON
800/392-5066

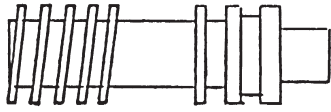
ORLANDO
800/327-3022

GREENVILLE
800/476-2212

LOOK FOR US ON THE WEB AT: www.TMSSouth.com

PLUMBING VALVES

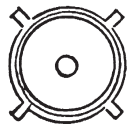
JOSAM HYDRANT INDIVIDUAL PARTS



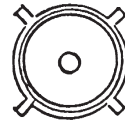
Worm Stem # 40300012



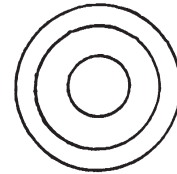
Stem Seal #40950047



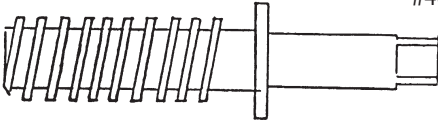
Shuttle #39471054



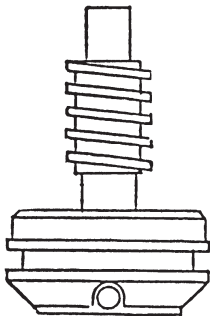
Shuttle #39471010



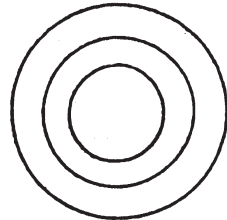
Packing #39471014



Worm Stem # 40300010



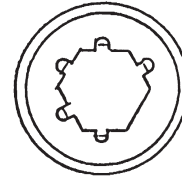
Actuator # 40300009



Retainer Seal #39471052



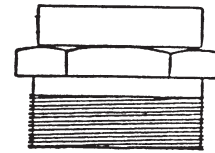
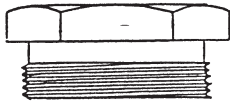
O-ring #40950039



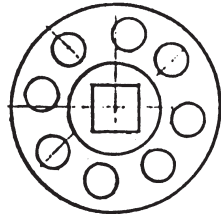
Seal Only #39471012



Seat/Seal #39471024



Packing Nut #39471008

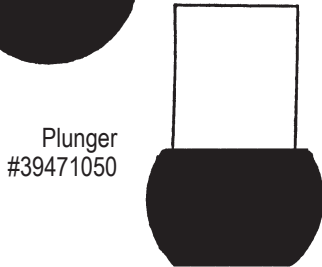


Hydrasan I & II Guide #39471034

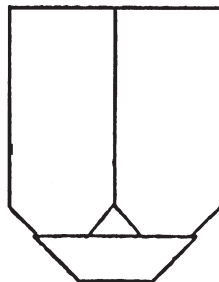
Nylon Seat #39471032



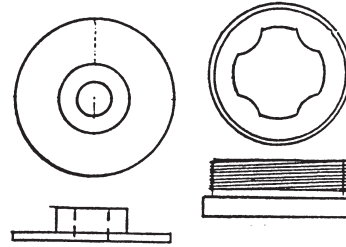
Plunger #39471038



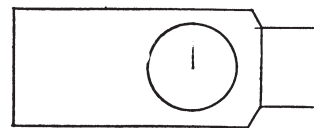
Plunger #39471050



Worm Casing/Plunger #39471036



Backflow Preventer Valve - Hydrasan II #39471030



Worm Casing #39471037



**TOTAL
MAINTENANCE
SOLUTIONS**

HOUSTON
800/392-5066

ORLANDO
800/327-3022

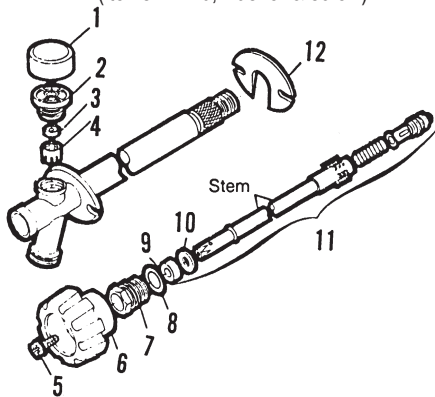
GREENVILLE
800/476-2212

LOOK FOR US ON THE WEB AT: www.TMSSouth.com

PLUMBING VALVES

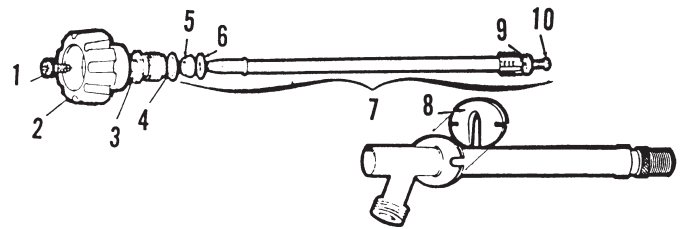
MANSFIELD MODEL 500 ANTI-SIPHON

ITEM	PART#	DESCRIPTION
1	39619006	Cap
2	39619007	Bonnet
3	39619019	Seat washer
4	39619005	Plunger
5-6	39610006	Handle and screw
7	39613286	Celcon bonnet
8	40950028	O-ring
9	39610925	Packing
10	39612954	Brass packing washer
11	39610092	Stem assembly 10" (6")
	39610093	Stem assembly 12" (8")
	39610094	Stem assembly 14" (10")
	39610095	Stem assembly 18" (12")
12	39614548	Wedge spacer
	42691000	Seat washer
	50100011	Screw
	39617500	Service Pak for vacuum breaker (items 1, 2, 3, 4)
	39617754	Service Pak for hydrant (items 7 - 10, washer & screw)



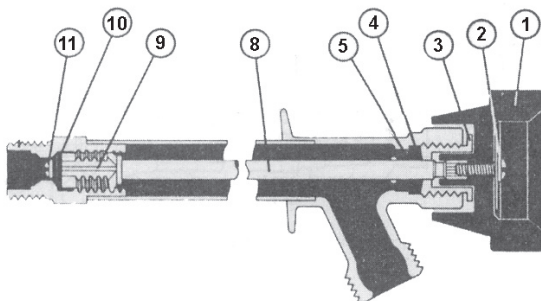
MANSFIELD MODEL 300

ITEM	PART #	DESCRIPTION
1-2	3961006	Handle & screw
3	39613286	Celcon bonnet (available only in kit)
4	40950028	O-ring
5	39610925	Packing
6	39612954	Brass packing washer
7	39615031	Item assembly 7-7/8" (4")
	39615032	Stem assembly 9-7/8" (6")
	39615033	Stem assembly 11-7/8" (8")
	39615034	Stem assembly 13-7/8" (10")
	39615035	Stem assembly 15-7/8" (12")
8	39614548	Wedge spacer
	39617754	Service Pak for hydrant items 3 - 6, washer, screw
9	40110128	Washer
10	50100011	Screw



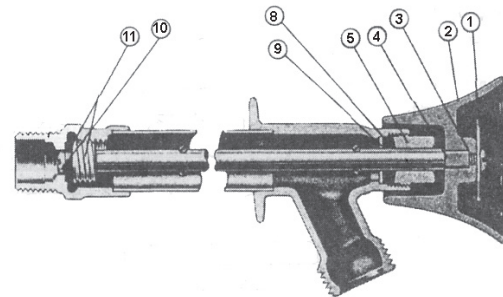
NIBCO MODEL 80

ITEM	PART #	DESCRIPTION
1-2	39661001	Handwheel & screw
3	39661003	Stuffing box
4	39661004	Packing
5	39661005	Packing washer
8	39661006	Stem for 4" wall (6-1/2")
	39661007	Stem for 6" wall (8-1/2")
	36991008	Stem for 8" wall (10-1/2")
	39661009	Stem for 10" wall (12-1/2")
	39661010	Stem for 12" wall (14-1/2")
9	39661011	Seat holder
10	42691020	Seat disc
11	50100010	Seat screw



NIBCO MODEL 52

ITEM	PART #	DESCRIPTION
1-2	39661001	Handwheel screw
3	39661016	Lockshield handwheel
4	50100000	Handwheel screw
5	39661018	Stem for 6" wall
	39661019	Stem for 8" wall
	39661020	Stem for 10" wall
	39661021	Stem for 12" wall
6	39661022	Packing nut
7	39661023	Lockshield packing nut
8	39661025	Packing
9	39661026	Packing washer
10	50100010	Disc screw
11	40110205	Seat disc



TOTAL MAINTENANCE SOLUTIONS

HOUSTON
800/392-5066

ORLANDO
800/327-3022

GREENVILLE
800/476-2212

LOOK FOR US ON THE WEB AT: www.TMSSouth.com

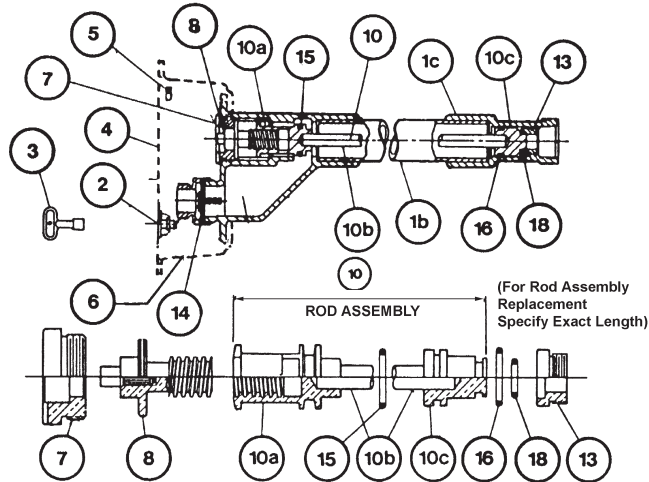
PLUMBING VALVES

SMITH HYDRANT MODELS 5509 & 5609 MANUFACTURED AFTER JANUARY 79

Part #39761000 for rebuild kit.*

ITEM	PART #	DESCRIPTION
2		Locking device
3*	40300210	Key
4		Cover
5		Cover hinge pins (2)
7		Face nut
8*		Operating screw
10		Operating rod assy.
10a		Coupling
10b		Rod
10c		Plunger
13*		Removable seat
14		Vacuum breaker
15*	40950030	Operating coupling O-ring
16*	40950028	Plunger O-ring – rear
18*	40950023	Plunger O-ring – front

* Items included in rebuild kit

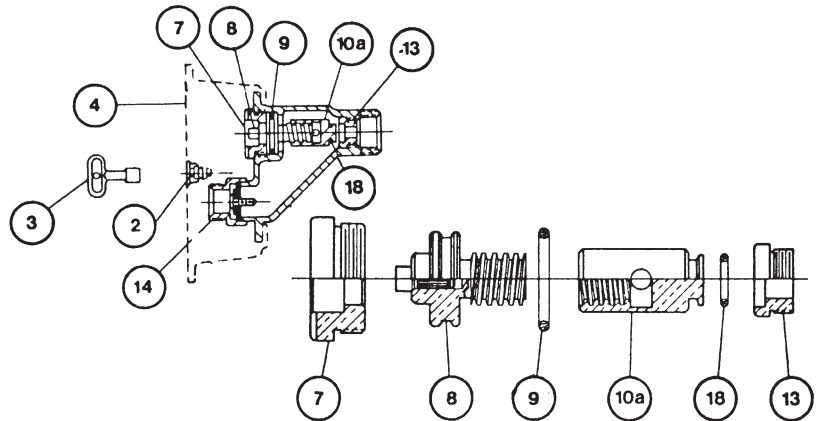


SMITH HYDRANT MODELS 5607, 5608, 5730, 5731, 5760 & 5761

Part #40300179 for rebuild kit.*

ITEM	PART #	DESCRIPTION
2		Locking device
3*	40300210	Key
4		Cover
5		Hydrant cover hinge pins (2)
7		Face nut
8*	40300013	Operating screw
9*	40300014	Operating screw O-Ring
10a		Coupling/Plunger
13*		Removable seat
14		Vacuum breaker
18*	40950023	Plunger O-Ring

* Items included in rebuild kit



SMITH HYDRANT MODELS 5510, 5560, 5610, & 5611 MANUFACTURED BEFORE JANUARY 79

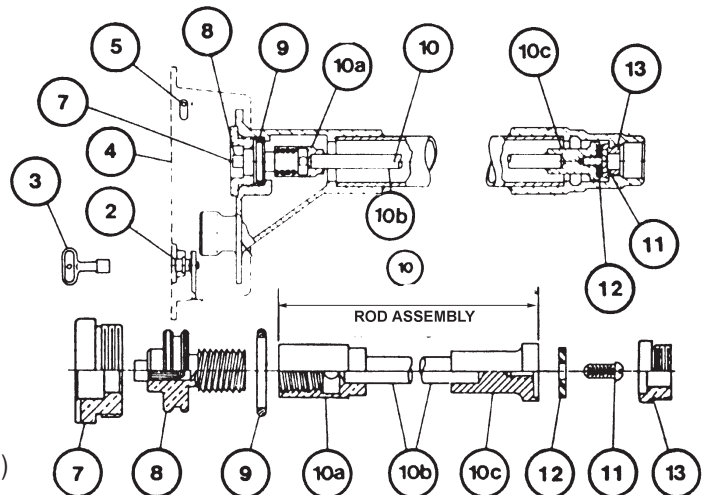
PART #39761015 1984 – current

PART #39761010 for rebuild kit.*

ITEM	PART #	DESCRIPTION
2		Locking device
3*	40300210	Key
4		Cover
5		Cover hinge pins (2)
7		Face nut
8*		Operating screw
9*	40300014	Operating screw O-ring
10a		Operating rod assembly
10b		Rod
10c		Plunger
11*	50100034	Washer screw
12*	39767148	Washer
13*		Removable seat

* Items included in rebuild kit

(For replacement rod assembly, specify exact length.)



**TOTAL
MAINTENANCE
SOLUTIONS**

HOUSTON
800/392-5066

ORLANDO
800/327-3022

GREENVILLE
800/476-2212

LOOK FOR US ON THE WEB AT: www.TMSSouth.com

PLUMBING VALVES

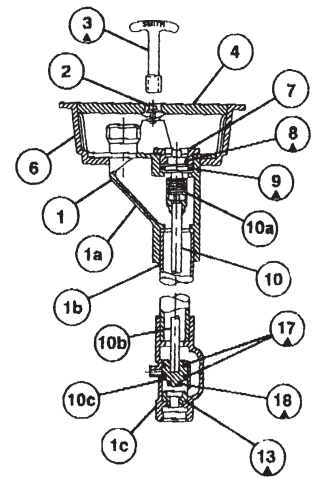
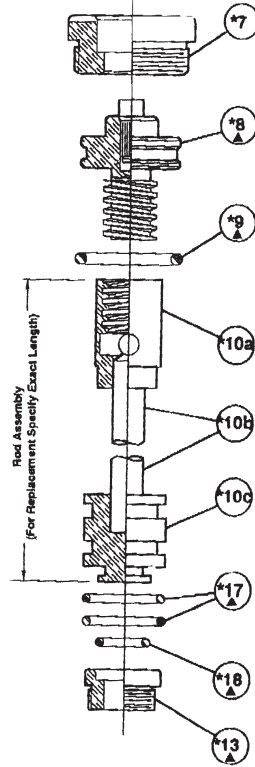
SMITH HYDRANT MODELS 5810, 5810F, 5811, 5811F, 5910, 5911, 5950 & 5951

Repair kit for hydrants before 1979 – # 39761020

Repair kit for hydrants after Jan. 1979 – # 39761025

ITEM	DESCRIPTION
1	Head/Casing assembly
1A	Head
1B	Casing
1C	Valve Housing
2	Locking devices
3	Key
4	Cover
5	Hydrant cover hinge pins (2)
6	Box
7*	Face nut
8*	Operating screw
9*	Operating screw o-ring
10	Operating rod assembly
10A*	Coupling
10B*	Rod
10C*	Plunger
13	Removable seat
17	Plunger o-ring
18*	Plunger o-ring

*All items marked are in repair kit



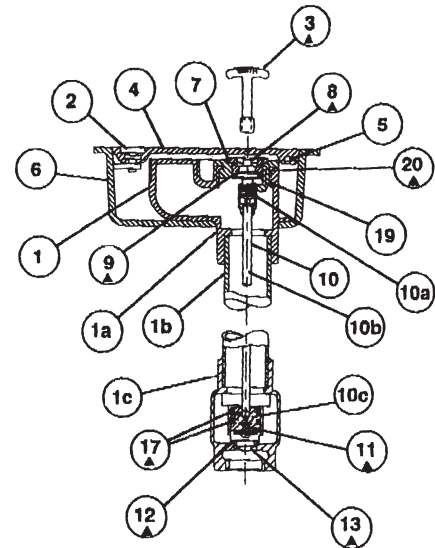
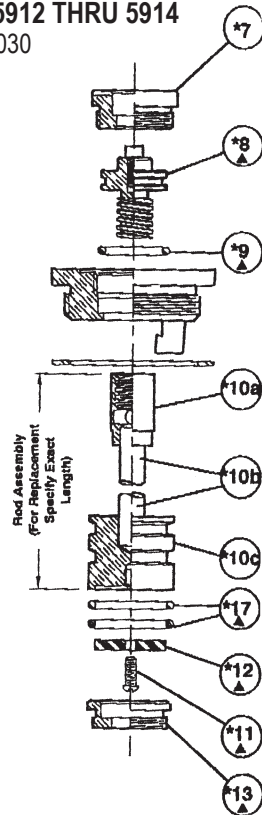
SMITH HYDRANT MODELS 5812 THRU 5814, 5912 THRU 5914

Repair kit for hydrants Jan. 79 thru Aug. 84 – # 39761030

Repair kit for hydrants after Aug. 84 – # 39761035

ITEM	DESCRIPTION
1	Head/Casing assembly
1A	Head
1B	Casing
1C	Valve housing
2	Locking devices
3	Key
4	Cover
5	Hydrant cover hinge pins (2)
6	Box
7*	Face nut
8*	Operating screw
9*	Operating screw o-ring
10	Operating rod assembly
10A*	Coupling
10B*	Rod
10C*	Plunger
11*	Washer screw
12*	Removable seat
13*	Plunger o-ring
17	Plunger o-ring
19	Face nut seat
20	Face nut seal gasket

*All items marked are in repair kit.



HOUSTON
800/392-5066

ORLANDO
800/327-3022

GREENVILLE
800/476-2212

LOOK FOR US ON THE WEB AT: www.TMSSouth.com

PLUMBING VALVES

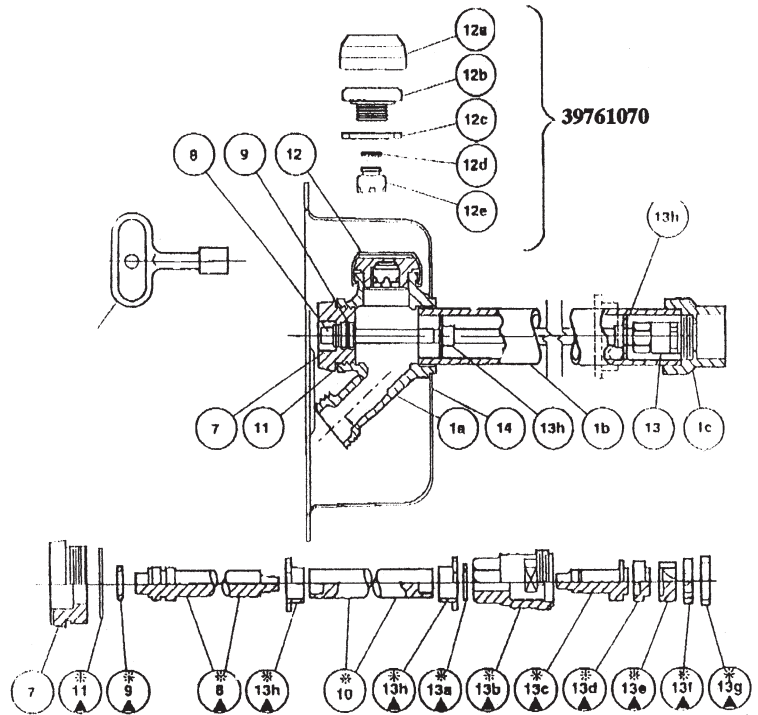
SMITH HYDRANT MODELS 5509QT, 5560QT, 5609QT

Repair kit for hydrant – 4030018

Repair kit for Vacuum breaker – 40300204

ITEM	DESCRIPTION
1	Head/Casing assembly
1A	Head
1B	Casing
1C	Valve housing
3	Key
7	Face nut
8*	Actuator shaft
9*	Actuator o-ring
10*	Operator rod
11*	Face nut washer
12	Vacuum breaker assy.
12A	VB cap
12B	VB body
12C	VB washer
12D	VB o-ring
12E	VB platon
13	Valve body assy.
13A*	Retaining ring
13B*	Valve body
13C*	Valve actuator
13D*	Nylon washer
13E*	Rotating ceramic disc
13F*	Fixed ceramic disc
13G*	Silicon rubber seal
13H*	Retaining guide (2)
14	Box assembly S/S

All items marked are accessible from Face of Hydrant



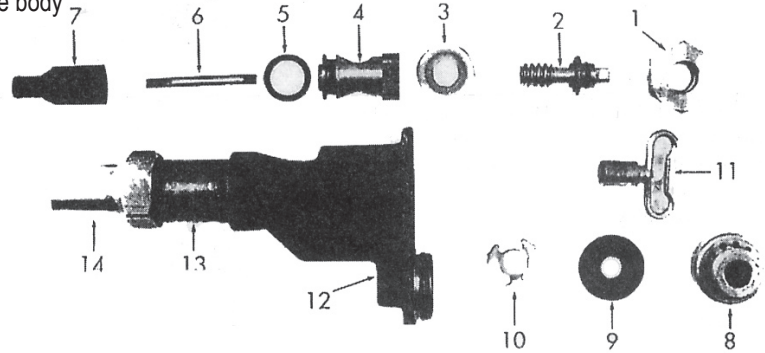
WADE HYDRANT MODELS W-8600

(4" – 12" WALL THICKNESS)

W-8600,175 (6" – 12" wall thickness)

ITEM	DESCRIPTION
1	Stem bushing nut
2	Drive screw assy.
3	Retainer seal
4	Drive sleeve
5	O-ring
6	Operating rod (1/4" S/S)
7	Plunger
8	Hose piece
9	Diverter diaphragm
10	Diverter check spider
11	T-handle
12	Head

ITEM	DESCRIPTION	39941060 Repair kit – items 2,3,5,7,11	39941070 Repair kit – items 1 thru 5, 7 thru 11
13	Casing		
14	Valve body		

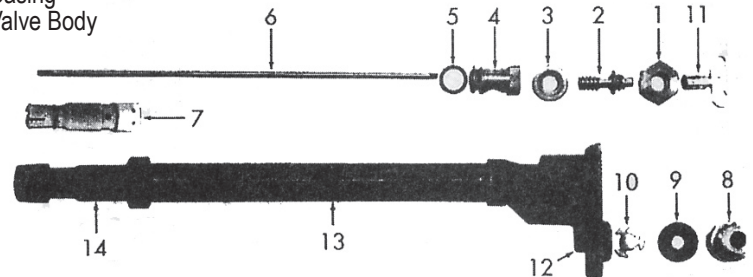


WADE HYDRANT MODELS W-8600(14" – 24" WALL THICKNESS)

W-8600,175 (16" – 26" wall thickness)

ITEM	DESCRIPTION
1	Stem bushing
2	Drive screw assy.
3	Retainer seal
4	Drive sleeve
5	O-ring
6	Operating rod (1/4" S/S)
7	Cartridge plunger assy.
8	Hose piece
9	Diverter diaphragm
10	Diverter check spider
11	T-handle

ITEM	DESCRIPTION	39941030 Repair kit – items 2,3,5,7,11	39941040 Repair kit – items 1 thru 5, 7 thru 11
12	Head		
13	Casing		
14	Valve Body		



**TOTAL
MAINTENANCE
SOLUTIONS**

HOUSTON
800/392-5066

ORLANDO
800/327-3022

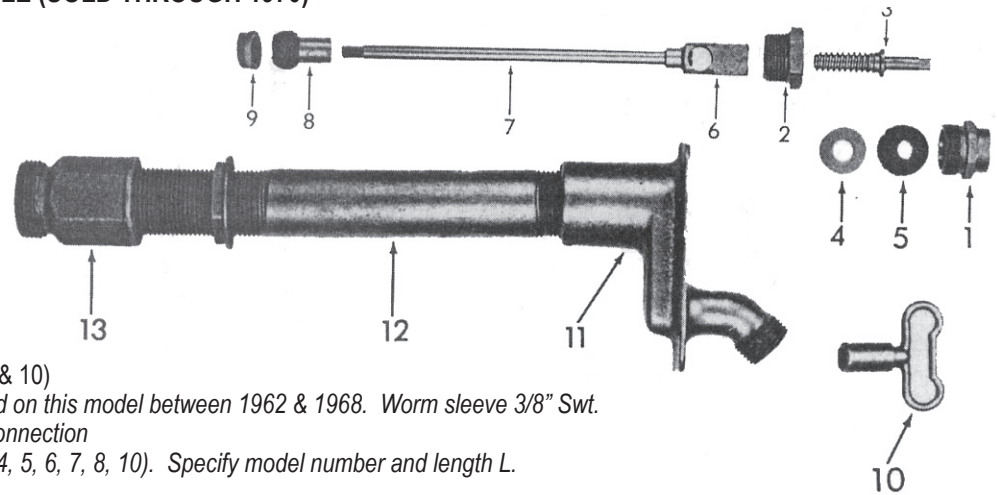
GREENVILLE
800/476-2212

LOOK FOR US ON THE WEB AT: www.TMSSouth.com

PLUMBING VALVES

WADE MODEL W – 8604 OLD STYLE (SOLD THROUGH 1970)

- | ITEM | DESCRIPTION |
|------|----------------------|
| 1 | Packing nut-brass |
| | Packing nut chrome |
| 2 | Worm nut-brass |
| 3 | Worm stem |
| 4 | Packing washer |
| 5 | Packing |
| 6 | Worm sleeve (note 1) |
| 7 | Control rod (note 2) |
| 8 | Plunger (neoprene) |
| 9 | Nylon seat |
| 10 | Tee Handle |



ORDER REPAIR KIT 39941006 (1-6, 8 & 10)

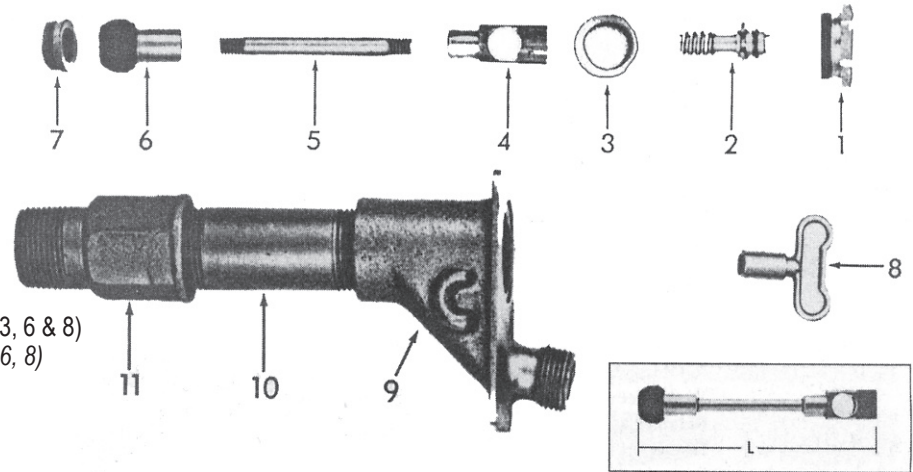
Note 1: Two types of sleeves were used on this model between 1962 & 1968. Worm sleeve 3/8" Swt.

Connection Worm sleeve 7/16" Thrd. Connection

Note 2: Sold as an assembly (items 3, 4, 5, 6, 7, 8, 10). Specify model number and length L.

WADE MODEL W-8604

- | ITEM | DESCRIPTION |
|------|-------------------------|
| 1 | Stem bushing nut-brass |
| | Stem bushing nut-chrome |
| 2 | Worm stem assembly |
| 3 | Retainer seal |
| 4 | Worm sleeve |
| 5 | Control rod (note 1) |
| 6 | Plunger (neoprene) |
| 7 | Nylon seat |
| 8 | Tee handle |



Order Repair kit 40300163 (Includes items 2, 3, 6 & 8)

Note 1: Sold as an assembly (items 2, 3, 4, 5, 6, 8)

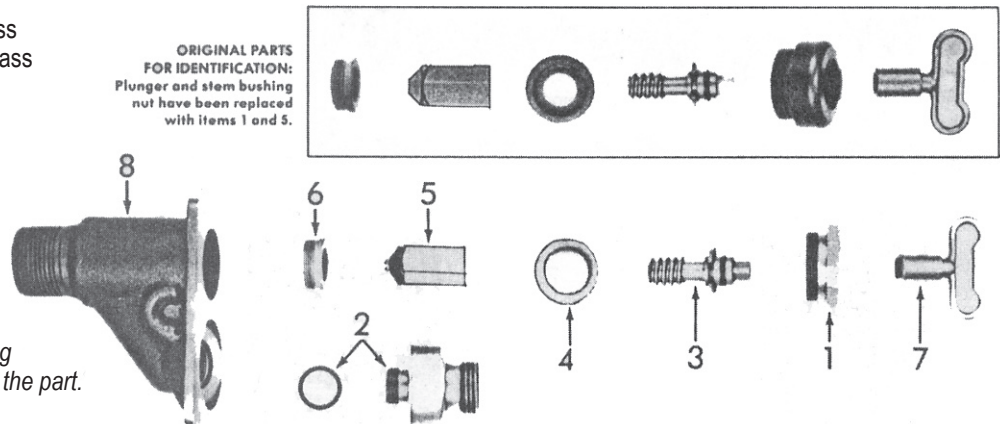
Specify model number and length L.

WADE MODEL W-8635

- | ITEM | DESCRIPTION |
|------|--------------------------|
| 1 | Stem bushing nut-brass |
| 2 | Backflow preventer-brass |
| 3 | Worm stem assembly |
| 4 | Retainer seal |
| 5 | Plunger |
| 6 | Nylon seat |
| 7 | Tee handle |

Order Repair Kit 39941004
(3, 4, 5 & 7)

Parts other than those shown in kits are available from Wade. Availability subject to change, please call indicating the model number and item number of the part.



HOUSTON
800/392-5066

ORLANDO
800/327-3022

GREENVILLE
800/476-2212

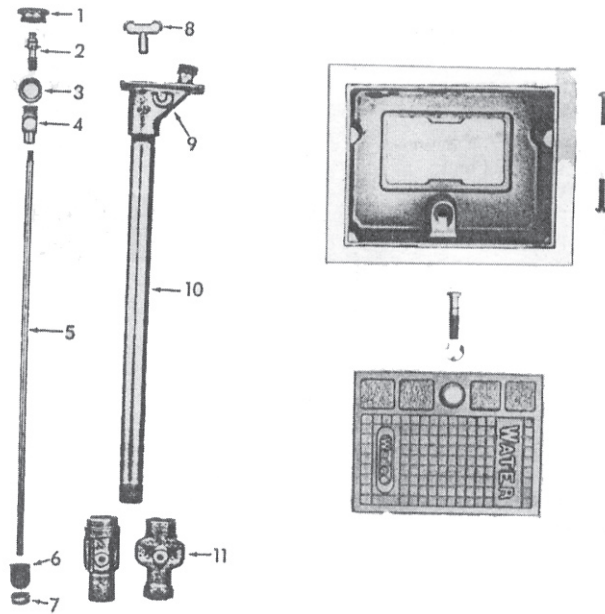
LOOK FOR US ON THE WEB AT: www.TMSSouth.com

PLUMBING VALVES

WADE MODEL W-8609-97

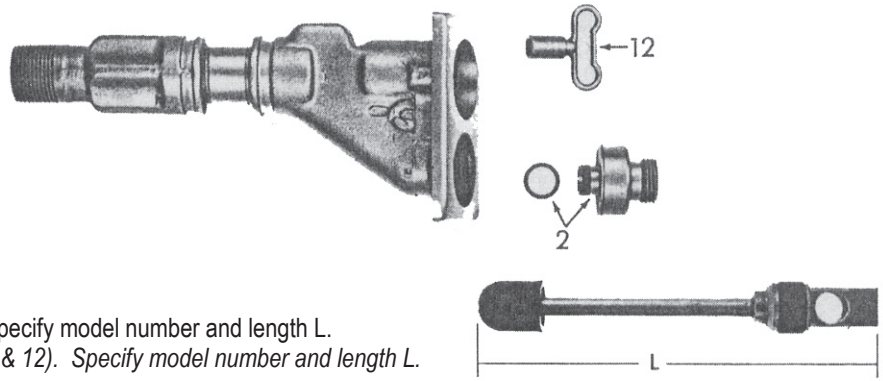
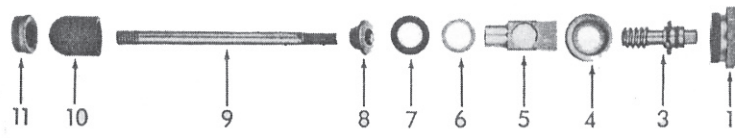
ITEM	DESCRIPTION
1	Stem bushing nut-brass
2	Worm stem assembly
3	Retainer seal
4	Worm sleeve
5	Control rod (note 1)
6	Plunger (neoprene)
7	Nylon seat
8	Tee handle

Order Repair Kit 39941002 (1,2,3,4,6 & 8)
 Note 1: Sold as an assembly (items 2,3,4,5,6,8).
 Specify model and length L.



WADE MODEL W-8620, W-8625

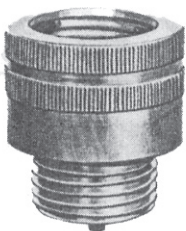
ITEM	DESCRIPTION
1	Stem bushing nut-brass
2	Stem bushing nut-chrome
3	Backflow preventer-brass
4	Backflow preventer-chrome
5	Worm stem assembly
6	Retainer seal
7	Worm sleeve
8	Retainer washer
9	Drain port sleeve
10	Rod adapter
11	Control (note-1)
12	Plunger (neoprene)
13	Nylon seat
14	Tee handle
15	Lid: satin nickel
16	Lid: satin brass



Order Repair kit 39941002 (3,4,6,7,10,12). Specify model number and length L.
 Note 1: Sold as an assembly (items 3 thru 10 & 12). Specify model number and length L.

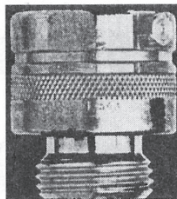
PART # 40300309

Brass finish. Female hose thread x male hose thread. Has non-removable feature.



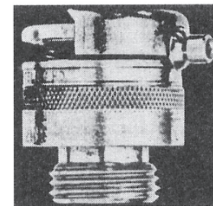
PART # 40110041

Chrome finish. Female hose thread x male hose thread. For use in non-freezing areas.
 PART # 40110042 for brass finish



PART # 40300310

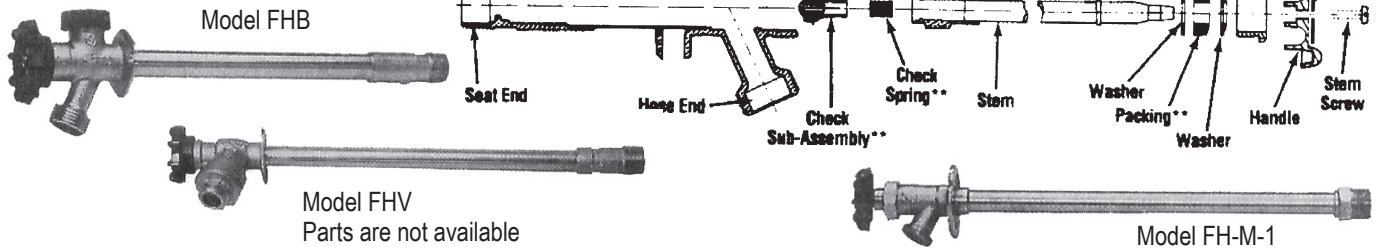
Brass finish. Female hose thread x male hose thread. For use in freezing areas.
 PART # 40300311 for chrome finish



PLUMBING VALVES

WATTS HYDRANT FH-M-1 & FHB

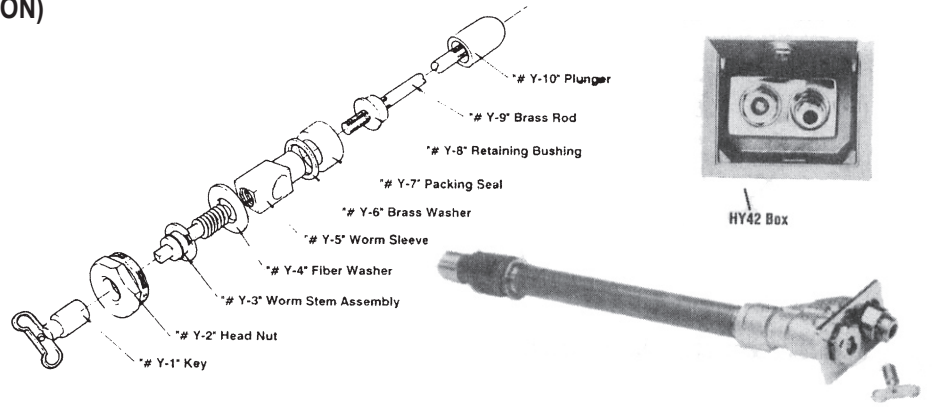
PART #	DESCRIPTION
39943061	Repair kit for model FHB. Items marked with **
39943062	Repair kit for V/B. Items marked *
39943126	Repair kit for model FH-M-1
39943063	Handle kit for model FHB
39943127	Handle kit for model FH-M-1



* Supplied with RK-FHB-V 1/2", 3/4"
 ** Supplied with RK-FHB 1/2", 3/4"

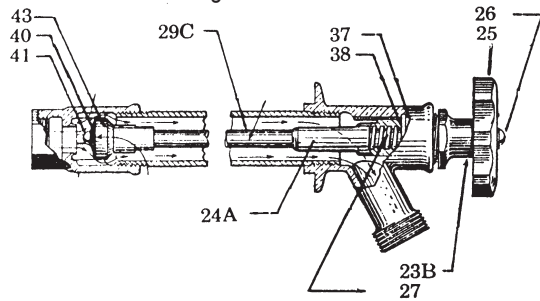
HYDRANT MODEL HY-42 & HY-42B (ANCON)

ITEM	DESCRIPTION
Y-1	Key
Y-2	Chrome head nut
Y-3	Worm stem assy.
Y-4	Fibre washer
Y-5	Worm sleeve
Y-6	Brass washer
Y-7	Packing seal
Y-8	Retaining bushing
Y-9	Brass Rod
Y-10	Neoprene plunger
39940042	Repair kit – contains above items



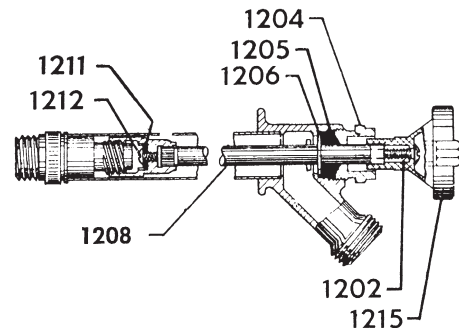
WOODFORD MODEL 10 (OBSOLETE)

ITEM	PART #	DESCRIPTION
43	39953214	Retainer
40	39953212	Valve seat rubber
41	39953216	Retainer screw
29C		Valve stem
24A	40300140	Yoke nut
37	39953210	Packing support washer
38	39953040	Support washer
26	39950112	Handle screw
25	39950111	Wheel handle
23B	39953220	Packing gland
27	39950113	Stem screw
	40300312	Packing



WOODFORD MODEL 12 (OBSOLETE)

ITEM	PART #	DESCRIPTION
1215	39953202	Wheel handle
1202	40300313	Handle screw
1204	39952990	Packing gland
1205	39952006	Packing
1206	39952992	Packing support washer
1212	39950009	Retainer screw
1208		Rod assembly
1211	39952995	Valve seat rubber



HOUSTON
 800/392-5066

ORLANDO
 800/327-3022

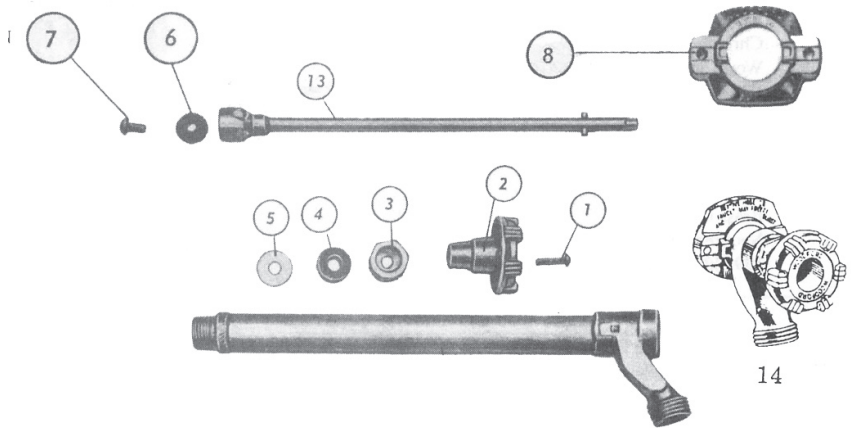
GREENVILLE
 800/476-2212

LOOK FOR US ON THE WEB AT: www.TMSSouth.com

PLUMBING VALVES

WOODFORD MODEL 14

ITEM	PART #	DESCRIPTION
1	40300313	Handle screw
2	40300215	Wheel handle
3	40300315	Packing nut
4	39952006	Packing
5	39950006	Packing support washer
6	40300316	Valve seat rubber
7	39950009	Retainer screw for rubber
8	40300317	Adjustable flange
13	39953002	Valve stem assy. 4" wall (5-7/8")
	39953004	Valve stem assy. 6" wall (7-7/8")
	39953006	Valve stem assy. 8" wall (9-7/8")
	39953008	Valve stem assy. 10" wall (11-7/8")
	39955005	Valve stem assy. 12" wall (13-7/8")
	39955007	Valve stem assy. 14" wall (15-7/8")
	39953010	Valve stem assy. 18" wall (19-7/8")
	39956060	Repair kit Items 1 - 7



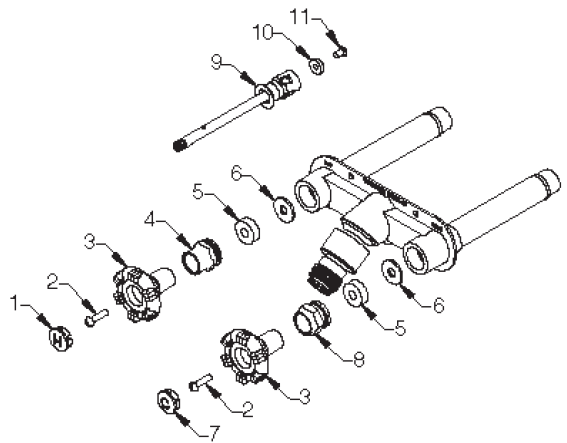
WOODFORD MODEL 22, V22 HOT AND COLD WALL FAUCET REPAIR KIT

PART # 39956082

Includes:

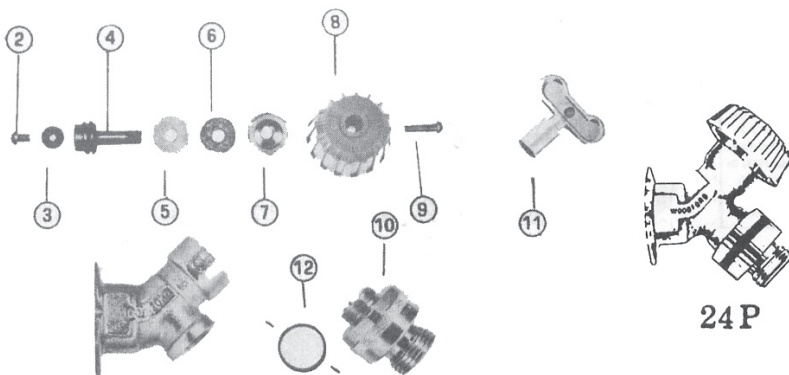
ITEM	DESCRIPTION	ITEM	DESCRIPTION
1	Hot plug button	9	Check valve (2)
2	Handle screw (2)	10	Valve seat washer
3	Plastic Handle (2)	11	Retainer screw (2)
4	Deep packing nut		
5	EPDM Packing (2)		
6	Packing washer (2)		
7	Cold plug button		
8	Packing nut		

METAL HANDLE REPAIR KIT
PART # 39956084



WOODFORD MODEL 24, Y24

ITEM	PART #	DESCRIPTION	ITEM	PART #	DESCRIPTION
2	39950009	Washer screw	8	20200146	Wheel handle - tan
3	40300316	Washer	9	40300313	Handle screw - brass
4	39950104	Operating stem	10	40300188	Chrome vacuum breaker
5	39950106	Packing washer	11	40300212	Tee key
6	39952006	Packing washer	12	40950038	O-ring
7	39950107	Packing nut		39956080	Repair kit items 2-9

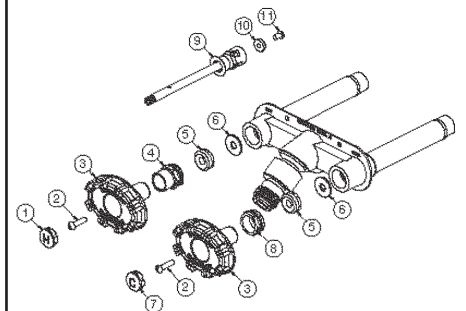


WOODFORD MODEL 29 REPAIR KIT

PART # 39956086

Includes:

ITEM	DESCRIPTION
1	Hot plug button
2	Handle screw (2)
3	Oval wheel handle (2)
4	Deep packing nut
5	EPDM Packing (2)
6	Packing washer (2)
7	Cold plug button
8	Packing nut
9	Check valve (2)
10	Valve seat washer
11	Retainer screw (2)



TOTAL MAINTENANCE SOLUTIONS

HOUSTON
800/392-5066

ORLANDO
800/327-3022

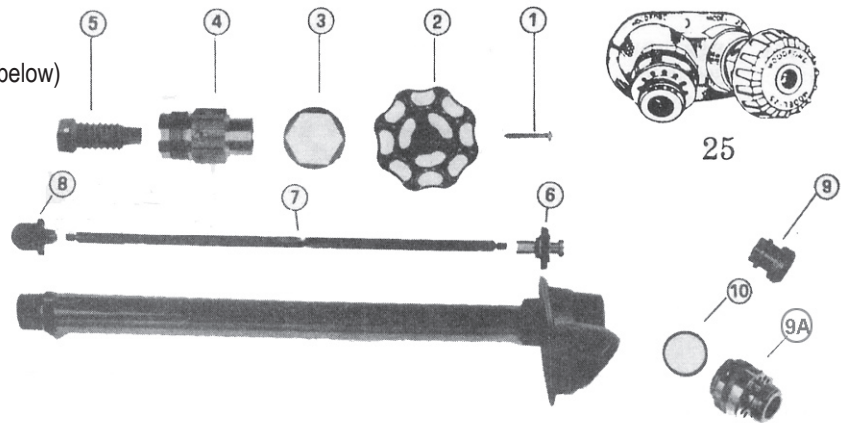
GREENVILLE
800/476-2212

LOOK FOR US ON THE WEB AT: www.TMSSouth.com

PLUMBING VALVES

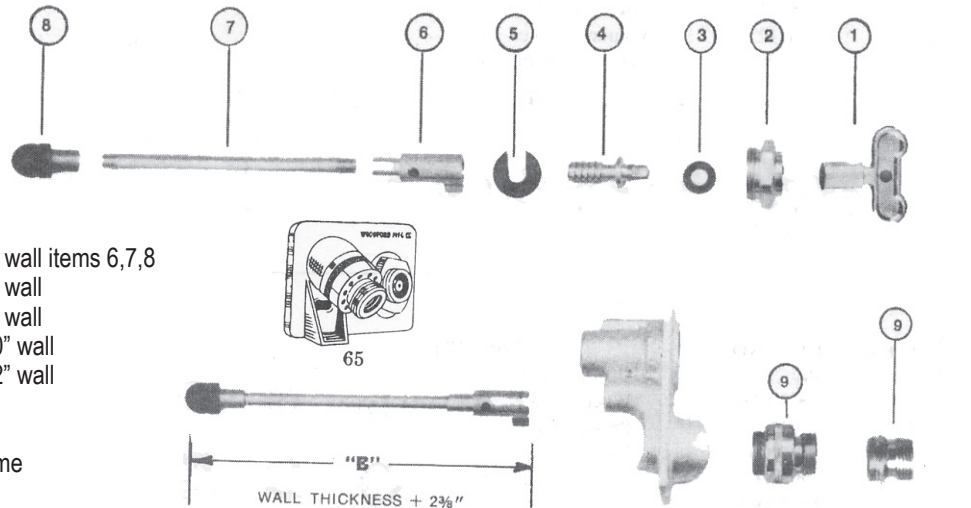
WOODFORD MODEL 20, 25

ITEM	PART #	DESCRIPTION
1	40300318	Handle screw
2	20200146	Wheel handle
3,4,5,6		Head nut assembly (See repair kit below)
7	39950304	Operating rod 4" wall (4-7/16")
	39950306	Operating rod 6" wall (6-7/16")
	39950308	Operating rod 8" wall (8-7/16")
	39950310	Operating rod 10" wall (10-7/16")
	39950312	Operating rod 12" wall (12-7/16")
8	40300153	Plunger assembly
9	39953020	Hose nozzle
9A	40300172	Vacuum breaker
10	39953072	Gasket
	40300167	Repair Kit Items 1-6, 8



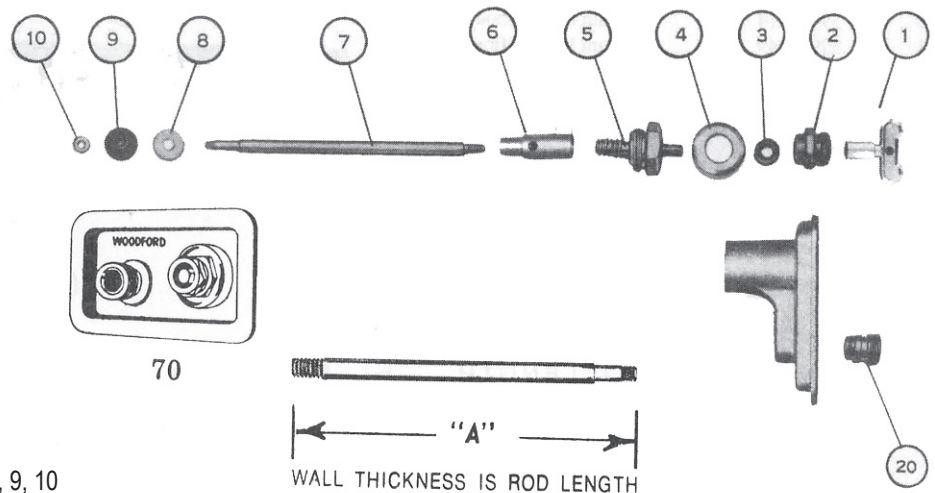
WOODFORD MODEL 60, 65

ITEM	PART #	DESCRIPTION
1	40300212	Tee key
2	40300319	Head nut chrome
3	40300320	Stem washer
4	40300321	Stem screw
5	40300322	"C" washer
6	40300140	Yoke nut
7	39955404	Operation rod assy. 4" wall items 6,7,8
	39955406	Operation rod assy. 6" wall
	39955408	Operation rod assy. 8" wall
	39955410	Operation rod assy. 10" wall
	39955412	Operation rod assy. 12" wall
8	40300154	Plunger
9	40300323	Nozzle-chrome
	40300172	Vacuum breaker-chrome
	40300173	Repair kit items 1-6,8



WOODFORD MODEL 70 (OBSOLETE MDLE. (80,85,90 &95))

ITEM	PART #	DESCRIPTION
1	40300212	Tee handle
2	40300324	Packing nut assembly
3	40300312	Packing
4	40300325	Head nut cover
5	40300326	Head nut assembly
6	40300140	Yoke nut
7	39953304	Operating rod 4" wall
	39953306	Operating rod 6" wall
	39953308	Operating rod 8" wall
	39953310	Operating rod 10" wall
	39953312	Operating rod 12" wall
8	40300327	Plain support washer
9	40300152	Ball valve rubber
10	40300328	Round brass nut
20	39953020	Hose nozzle
	39956120	Repair Kit Items 1-6, 8, 9, 10



**TOTAL
MAINTENANCE
SOLUTIONS**

HOUSTON
800/392-5066

ORLANDO
800/327-3022

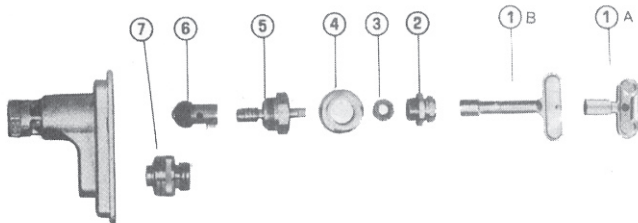
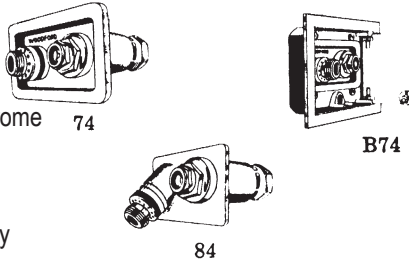
GREENVILLE
800/476-2212

LOOK FOR US ON THE WEB AT: www.TMSSouth.com

PLUMBING VALVES

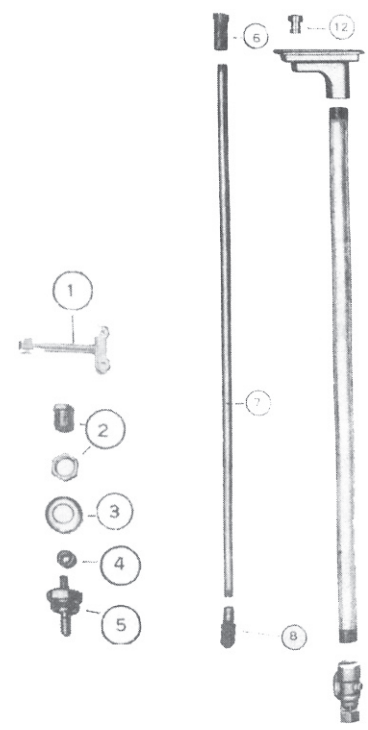
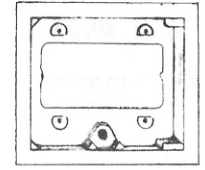
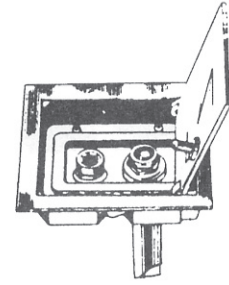
WOODFORD MODEL 74, 84, B74

ITEM	PART #	DESCRIPTION
1a	40300212	Tee key (74, 84)
1b	39950010	Long tee key
2	40300324	Packing nut assembly – Chrome
3	40300312	Packing
4	40300325	Head nut cover – Chrome
5	40300326	Head nut assembly
6	40300151	Yoke nut and valve assembly
7	40300188	Vacuum break – Chrome
	39956130	Repair Kit Items 1a, 2-6



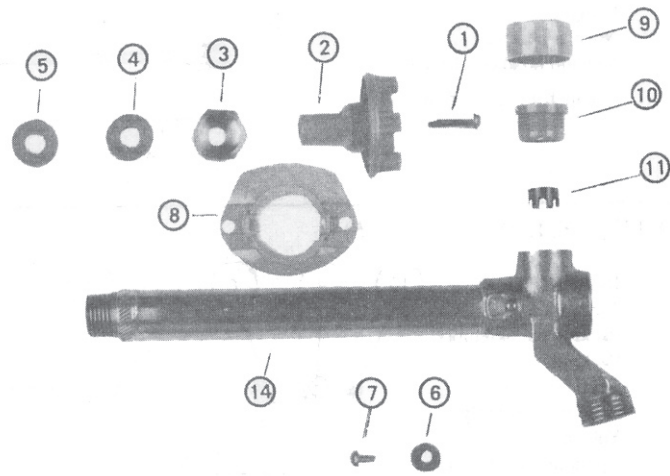
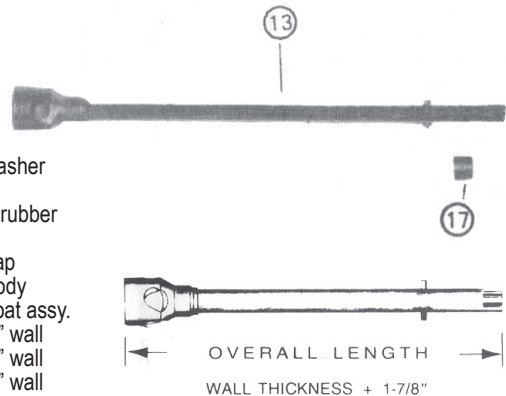
WOODFORD MODEL Y70

ITEM	PART #	DESCRIPTION
1	39950010	Long tee key
2	39955112	Packing nut assembly
3	39951029	Head nut cover
4	40300312	Packing
5	40300326	Head nut assembly
6	39950109	Yoke nut
7		Pipe stem (specify length)
8	40300162	Plunger
12	39950003	Hose nozzle
	39956150	Repair Kit Items 1-6,8



WOODFORD MODEL 17

ITEM	PART #	DESCRIPTION
1	40300313	Handle screw
2	40300215	Wheel handle
3	40300315	Packing nut
4	39952006	Packing
5	39950006	Packing support washer
6	40300316	Valve seat rubber
7	39950009	Retainer screw for rubber
8	40300317	Adjustable flange
9	39950415	Vacuum breaker cap
10	40300329	Vacuum breaker body
11	39956049	Vacuum breaker float assy.
13	39953002	Valve stem assy. 4" wall
	39953004	Valve stem assy. 6" wall
	39953006	Valve stem assy. 8" wall
	39953008	Valve stem assy. 10" wall
	39955005	Valve stem assy. 12" wall
	39995007	Valve stem assy. 14" wall
17	39950420	Spacer
	39956070	Repair Kit Items 1-7, 9-11



TOTAL MAINTENANCE SOLUTIONS

HOUSTON
800/392-5066

ORLANDO
800/327-3022

GREENVILLE
800/476-2212

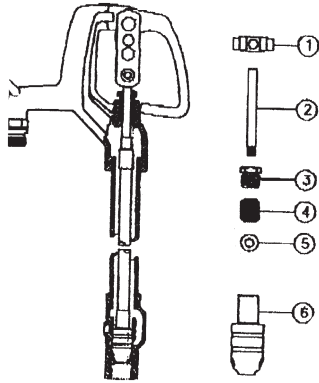
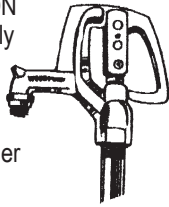
LOOK FOR US ON THE WEB AT: www.TMSSouth.com

PLUMBING VALVES

WOODFORD HYDRANT MODEL W-34

Repair kit for hydrant 39956190

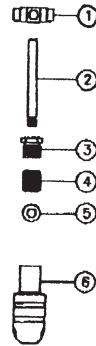
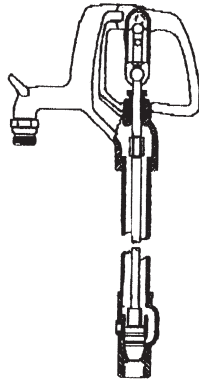
ITEM	DESCRIPTION
1	Pivot assembly
2	Rod stem
3	Packing nut
4	Packing
5	Support washer
6	Plunger



WOODFORD HYDRANT MODEL X-34

Repair kit for hydrant 39956200

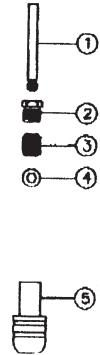
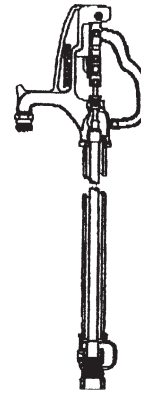
ITEM	DESCRIPTION
1	Pivot assembly
2	Rod stem
3	Packing nut
4	Packing
5	Support washer
6	Plunger



WOODFORD HYDRANT Y-1

Repair kit for hydrant 39956220

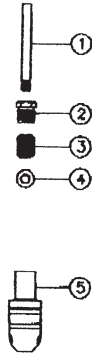
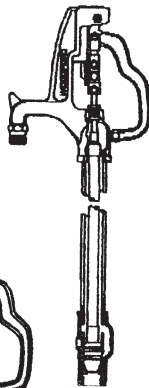
ITEM	DESCRIPTION
1	Rod stem
2	Packing nut
3	Packing
4	Support washer
5	Plunger



WOODFORD HYDRANT MODEL Y-34

Repair kit for hydrant 39956210

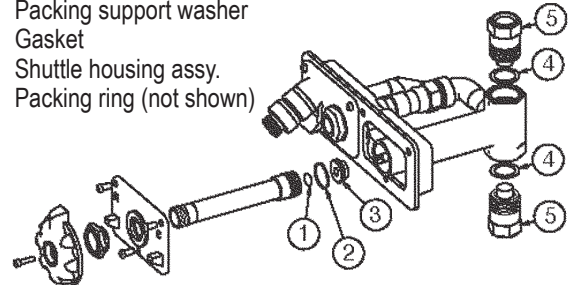
ITEM	DESCRIPTION
1	Rod Stem
2	Packing nut
3	Packing
4	Support Washer
5	Plunger



WOODFORD MODEL HC/HCB HOT & COLD WALL HYDRANT REPAIR KIT

PART # 40300189

ITEM	DESCRIPTION
1	O-ring
2	O-ring
3	Packing support washer
4	Gasket
5	Shuttle housing assy. Packing ring (not shown)

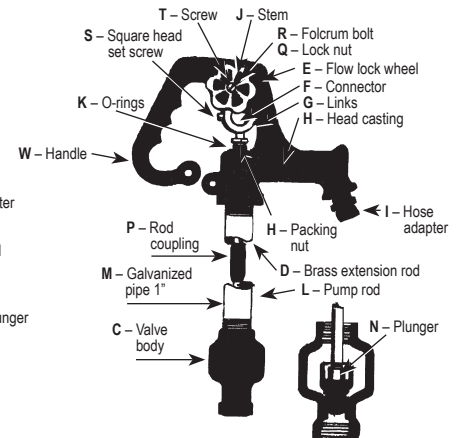
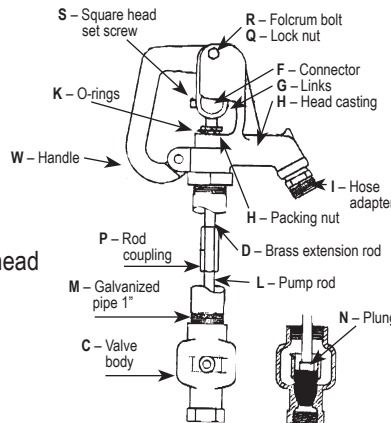


SYMMONS HYDRANT MODEL 800 SERIES & 4800 SERIES

Repair kit for 800 & 4800 series 40300203

All items listed below

ITEM	DESCRIPTION	ITEM	DESCRIPTION
F	Brass connector	N	Plunger
G	Brass link (pr)	Q	Locknut
H	Brass packing nut	R	Fulcrum bolt
K	"O"-ring (pr)	S	Set screw square head



SYMMONS YARD HYDRANT
24" depth
PART # 57234802



TOTAL MAINTENANCE SOLUTIONS

HOUSTON
800/392-5066

ORLANDO
800/327-3022

GREENVILLE
800/476-2212

LOOK FOR US ON THE WEB AT: www.TMSSouth.com

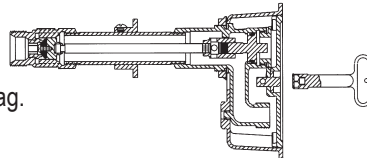
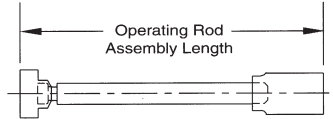
PLUMBING VALVES

ZURN MODEL Z1305

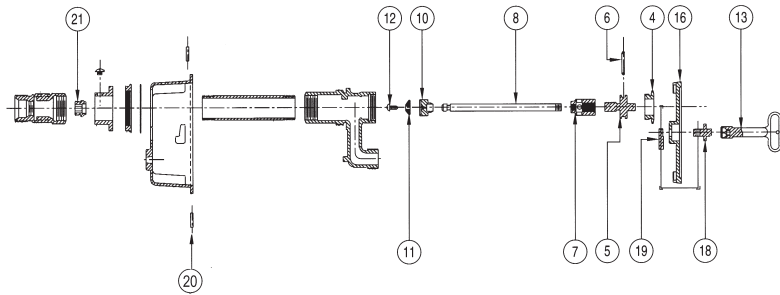
ITEM	PART #	DESCRIPTION
4	39993054	Facenut
*5	40300016	Operating screw
*6	40300014	O-ring
*7	39993057	Operating coupling
8		Operating rod
10		Washer guide
*11	40300331	Washer
*12	39993012	Screw #10-24 N.C.
*13	20200140	Key
18		Locking pin mounting
19		Locking pin
20		Hinge pin (2)
*21	39993021	Removable seat
	39993470	Repair kit

OPERATING ROD ASSEMBLIES

6" wall	6-3/4"
8" wall	8-3/4"
10" wall	10-3/4"
12" wall	12-3/4"

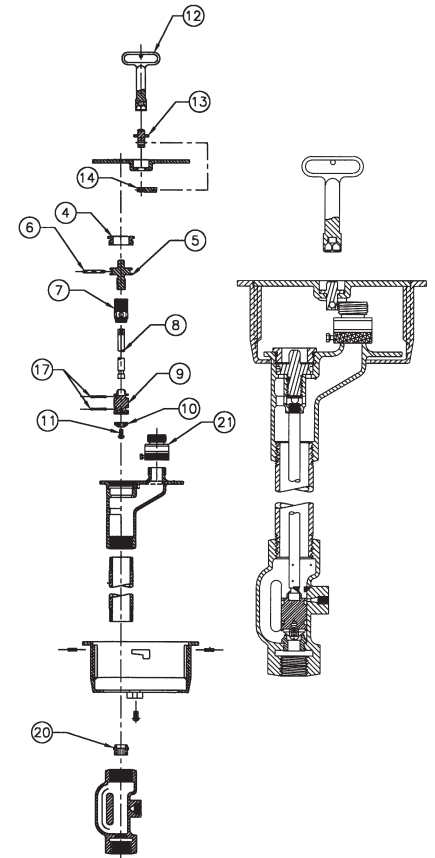


*Items are available in -RK Repair Kit Option bag.



ZURN MODEL Z1361

ITEM	PART #	DESCRIPTION
4	39993054	Facenut
5	40300016	Operating Screw
6	40300014	O-Ring
7	39993057	Operating Coupling
8		Operating Rod
9		Washer guide
10	40300331	Washer
11		Screw #10-24 N.C.
12	20200140	Key
13		Locking Pin Mounting
14		Locking Pin
17		O-Ring
20		Removable Seat
21	40110041	Vacuum Breaker
	39991361	Repair Kit

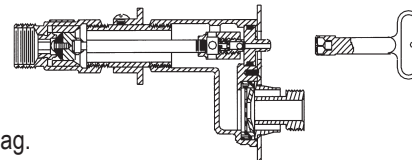
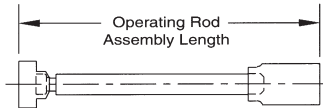


ZURN MODEL Z1310 PARTS LIST

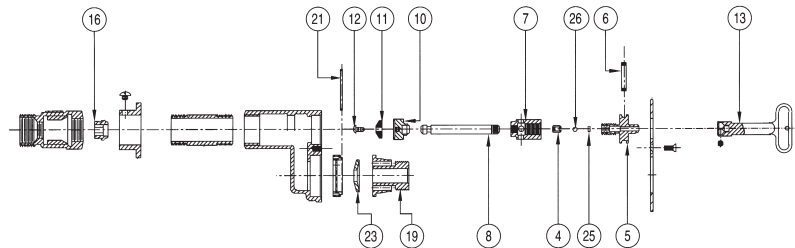
ITEM	PART #	DESCRIPTION
*4		Set screw
*5	40300017	Operating screw
*6	40300014	O-ring
*7	39993057	Operating coupling
8		Operating rod
10		Washer guide
*11	40300331	Washer
*12	39993012	Screw #10-24 N.C.
*13	20200140	Key
*16	39993021	Removable seat
19	50799	3/4" nozzle
*21	23750	Disc o-ring
*23	39990785	"Equa-Balance" seal
*25	23750	Ball o-ring
*26	51458	Ball
	40300170	Repair kit

OPERATING ROD ASSEMBLIES

4" wall	4-3/4"
6" wall	6-3/4"
8" wall	8-3/4"
10" wall	10-3/4"
12" wall	12-3/4"

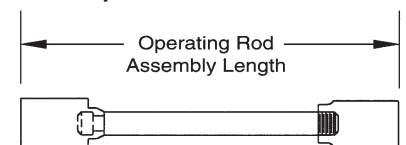


*Items are available in - RK Repair Kit Option bag.



OPERATING ROD ASSEMBLIES

2' Bury	19"
3' Bury	31"
4' Bury	43"



**TOTAL
MAINTENANCE
SOLUTIONS**

HOUSTON
800/392-5066

ORLANDO
800/327-3022

GREENVILLE
800/476-2212

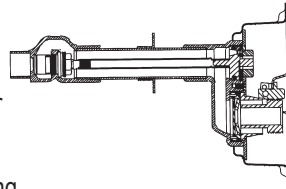
LOOK FOR US ON THE WEB AT: www.TMSSouth.com

PLUMBING VALVES

ZURN MODEL Z1320

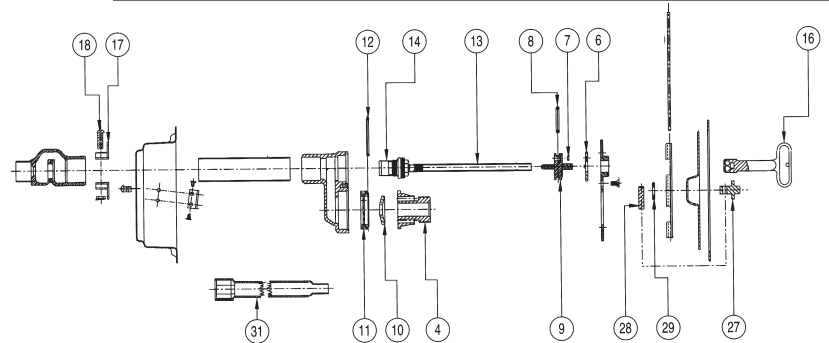
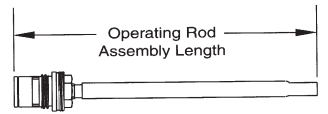
ITEM	PART#	DESCRIPTION
4		3/4" nozzle
*6		Retaining washer
*7	40300014	O-ring
*8	40300014	O-ring
*9	39990227	Operating coupling
*10	39990785	"Equa-Balance" seal
11		Disc
*12	40300014	Disc o-ring
13		Operating tube
14	39999626	Cartridge assembly
*16	20200140	Key
27	25306	Locking pin mounting
28	25307	Locking pin
29	61631	Washer
31	39992078	Cartridge wrench (Optional)
	39991320	Repair kit

*Items are available in - RK Repair Kit Option bag.



OPERATING ROD ASSEMBLIES

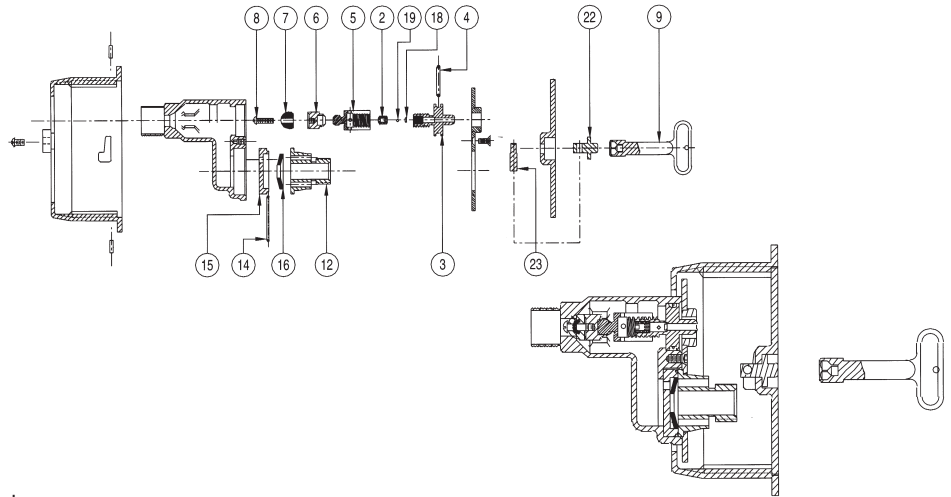
PART # 40300355	6" wall	6-1/8"
PART # 40300556	8" wall	8-1/8"
PART # 40300357	10" wall	10-1/8"
PART # 40300358	12" wall	12-1/8"



ZURN MODEL Z1330-C

ITEM	PART #	DESCRIPTION
*2	39993302	Setscrew
*3	40300017	Operating screw
*4	40300014	O-ring
*5		Operating coupling
*6		Washer guide
*7	39993011	Washer
*8	39993012	Screw #10-24 N.C.
*9	20200140	Key
12		3/4" nozzle
*14		Disc o-ring
15		Disc
*16	39990785	"Equa-Balance" seal
*18		Ball o-ring
*19		Ball
	39993510	Repair Kit

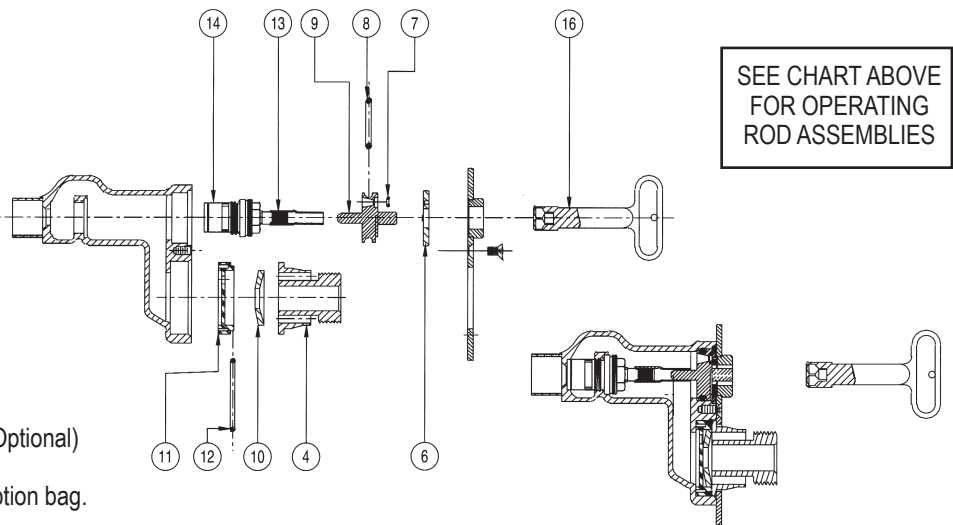
*Items are available in -RK Repair Kit Option bag.



ZURN MODEL Z1333

ITEM	PART #	DESCRIPTION
4		Nozzle
*6		Retaining washer
*7	40300014	O-ring
*8	40300014	O-ring
*9	39990227	Operating coupling
*10	39990785	"Equa-Balance" seal
11		Disc
*12	40300014	Disc o-ring
13		Operating tube
14	39999626	Cartridge assembly
*16	20200140	Key
17	39992078	Cartridge wrench (Optional)
	39991320	Repair kit

*Items are available in -RK Repair Kit Option bag.

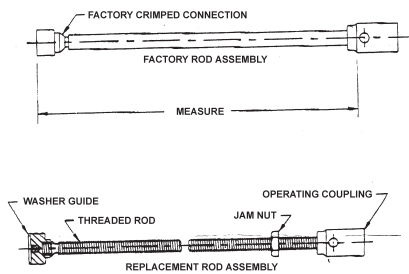


PLUMBING VALVES

**PLEASE NOTE
WHEN REPLACING
FACTORY ROD
ASSEMBLY WITH
FIELD REPLACEMENT
ROD ASSEMBLY**

**KITS CONTAIN A FIELD
REPLACEMENT ROD ASSEMBLY.
THE ROD MUST BE CUT TO
LENGTH TO SUIT THE HYDRANT.**

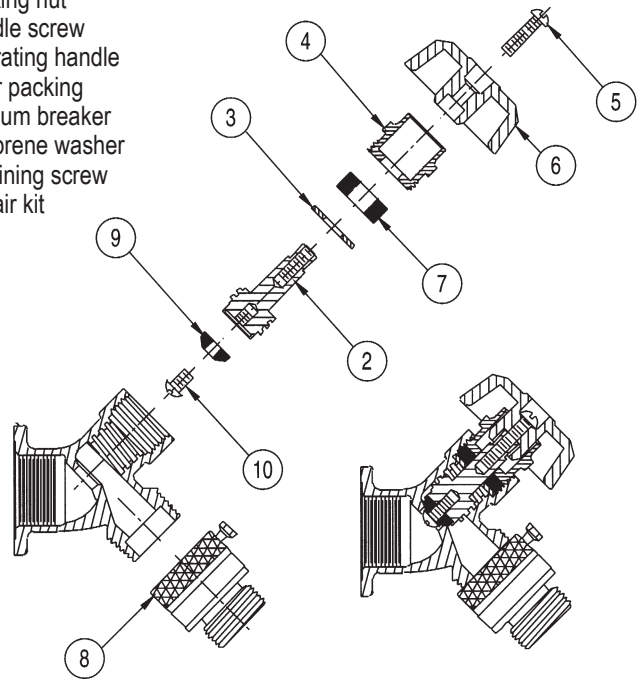
*Complete instructions included with Field
Replacement Rod assembly kit.*



ZURN MODEL Z1341

ITEM	PART #	DESCRIPTION
*2		Operating screw
*3		Washer
*4		Packing nut
*5		Handle screw
6	59472	Operating handle
*7	59544	Fiber packing
8	40110041	Vacuum breaker
*9		Neoprene washer
*10		Retaining screw
	39991341	Repair kit

*Items are available in –
RK Repair Kit Option bag.



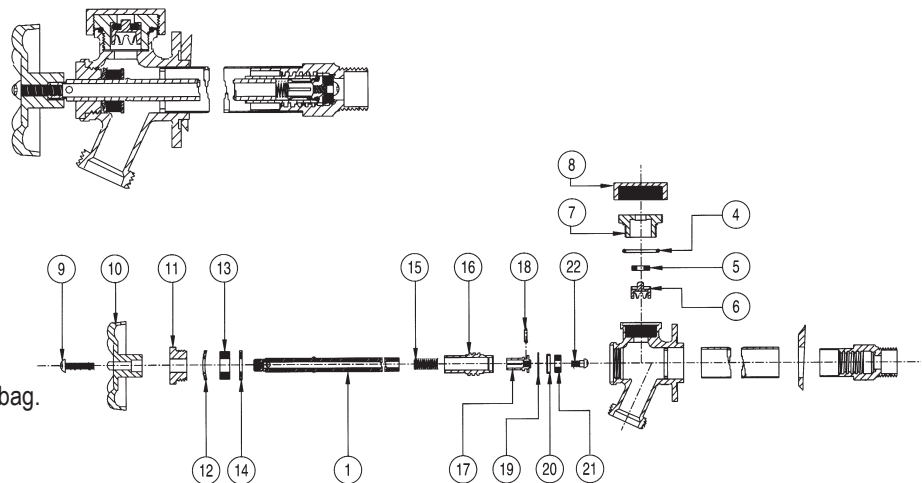
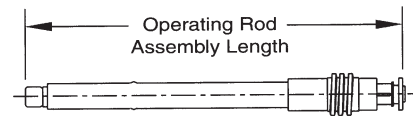
ZURN MODEL Z1345

ITEM	PART #	DESCRIPTION
1		Operating rod
*4		O-ring
*5		Float washer
*6		Float
*7		Bonnet
*8		Vacuum breaker cap
*9		Handle screw
10	39990436	Handle
*11	59474	Packing nut
*12	66279	Concave washer
*13	60823	Packing
*14	14859	Washer
15		Spring
16		Washer housing
17		Washer retainer
18		O-ring
*19		Diaphragm
*20		Seat casing
*21		Rubber washer
*22		Washer screw
	39991345	Repair kit

*Items are available in –RK Repair Kit Option bag.

OPERATING ROD ASSEMBLIES

4" wall	7"
6" wall	9"
8" wall	11"
10" wall	13"
12" wall	15"
14" wall	17"



HOUSTON
800/392-5066

ORLANDO
800/327-3022

GREENVILLE
800/476-2212

LOOK FOR US ON THE WEB AT: www.TMSSouth.com

PLUMBING VALVES

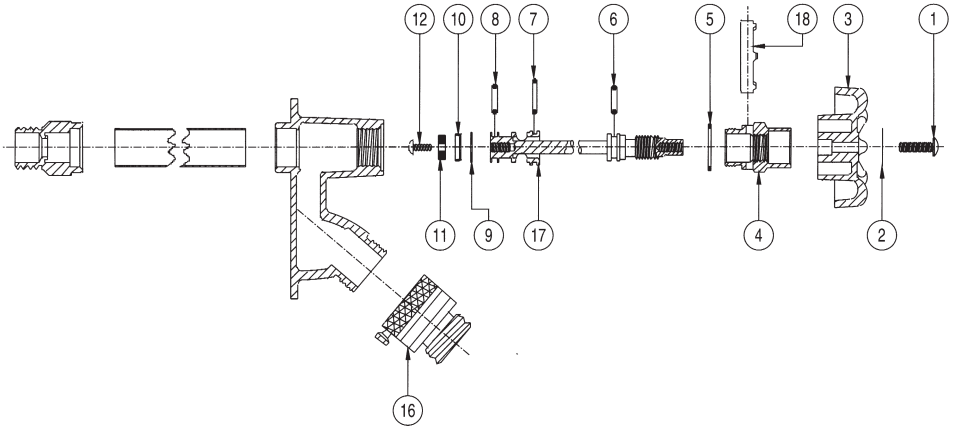
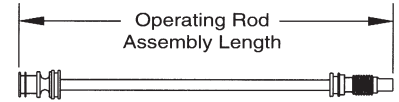
ZURN MODEL Z1346

ITEM	PART #	DESCRIPTION
1	14853	Handle screw
2		Disc
3	39996340	Handle
4		Packing nut
5*		Gasket
6*		O-ring
7*		O-ring
8*		O-ring
9*		Diaphragm
10*		Seat casing
11*		Rubber washer
12*		Washer screw
16	40110041	Vacuum breaker
17		Operating rod
18	39991346	Splash guard
		Repair kit (items marked *)



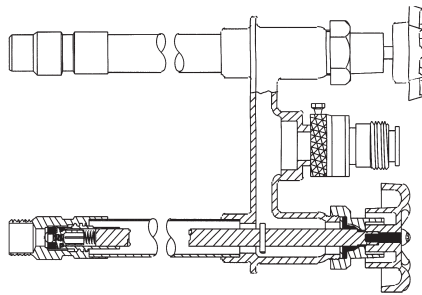
OPERATING ROD ASSEMBLIES

4" wall	7-3/8"
6" wall	9-3/8"
8" wall	11-3/8"
10" wall	13-3/8"
12" wall	15-3/8"



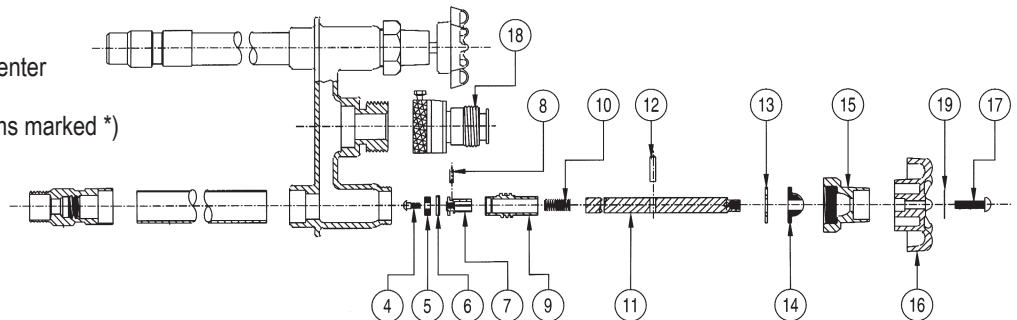
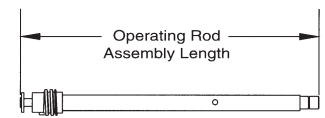
ZURN MODEL Z1348-BFP PARTS LIST

ITEM	PART #	DESCRIPTION
4*	56447	Washer screw
5*	23443	Rubber washer
6*	59475	Seat casing
7		Washer retainer
8*		O-ring
9		Washer housing
10		Spring
11		Operating rod
12		Retaining pin
13*		Washer
14*		Gasket
15		Cap nut
16	39996340	Handle
17*		Handle screw
18	39996319	Backflow preventer
19		Disc
	39991398	Repair kit (items marked *)



OPERATING ROD ASSEMBLIES

4" wall	9-1/4"
6" wall	11-1/4"
8" wall	13-1/4"
10" wall	15-1/4"
12" wall	17-1/4"



**TOTAL
MAINTENANCE
SOLUTIONS**

HOUSTON
800/392-5066

ORLANDO
800/327-3022

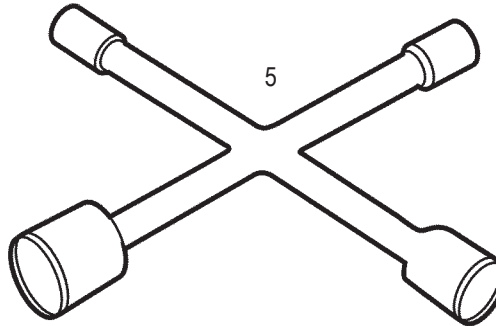
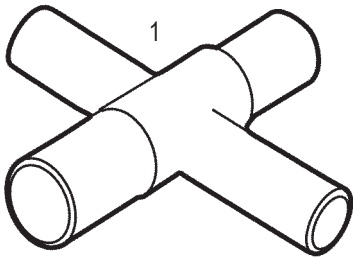
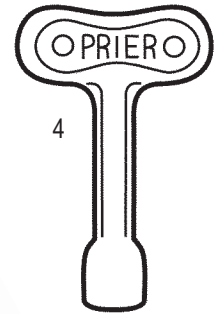
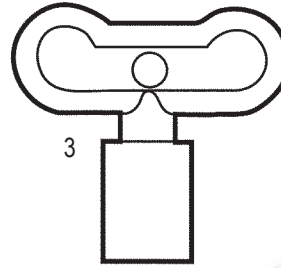
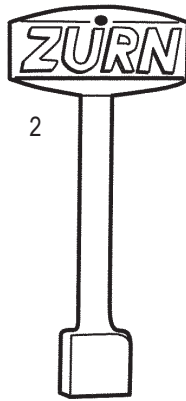
GREENVILLE
800/476-2212

LOOK FOR US ON THE WEB AT: www.TMSSouth.com

PLUMBING VALVES

HYDRANT KEYS

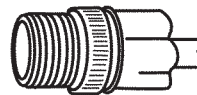
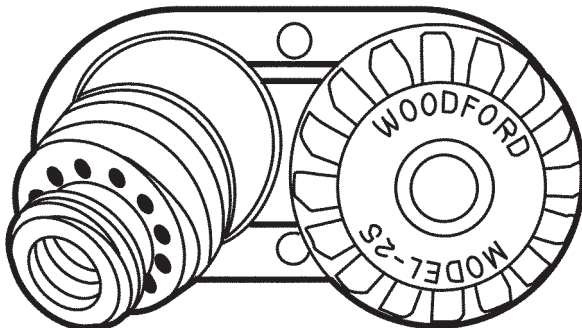
ITEM #	PART #	DESCRIPTION
1	20200004	4-Way key, fits 1/4", 9/32", 5/16" and 11/32" square hydrant stems
2	20200140	Zurn hydrant key, 3/8" square
3	20200136	1/4" Die cast hydrant key (square)
4	20200137	5/16" x 2" square brass key
5	64751020	4-Way loose key wrench – cast brass for square stems 1/4, 1/3", 1/2"
6	64751015	D-Oval key, Prier



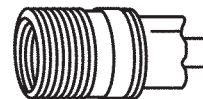
AUTOMATIC DRAINING FREEZELESS WALL FAUCETS WITH VACUUM BREAKER BACKFLOW PREVENTER

PART #	WALL THICKNESS	DESCRIPTION
57951010	4"	Brass finish. Combination 1/2" male pipe x 1/2" female copper
57951020	6"	Brass finish. Combination 1/2" male pipe x 1/2" female copper
57951030	8"	Brass finish. Combination 1/2" male pipe x 1/2" female copper
57951040	10"	Brass finish. Combination 1/2" male pipe x 1/2" female copper
57951050	12"	Brass finish. Combination 1/2" male pipe x 1/2" female copper
57952010	4"	Brass finish. Combination 1/2" female pipe x 3/4" male pipe
57952020	6"	Brass finish. Combination 1/2" female pipe x 3/4" male pipe
57952030	8"	Brass finish. Combination 1/2" female pipe x 3/4" male pipe
57952040	10"	Brass finish. Combination 1/2" female pipe x 3/4" male pipe
57952050	12"	Brass finish. Combination 1/2" female pipe x 3/4" male pipe

FAUCET FREEZE PROTECTOR PART # 57692000



57951010, 57951020,
57951030, 57951040,
57951050



57952010, 57952020,
57952030, 57952040,
57952050



**TOTAL
MAINTENANCE
SOLUTIONS**

HOUSTON
800/392-5066

ORLANDO
800/327-3022

GREENVILLE
800/476-2212

LOOK FOR US ON THE WEB AT: www.TMSSouth.com

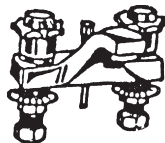
FAUCETS

LAVATORY FAUCETS

40002103
American Standard Heritage
4" centerset with dodecahedron
handles and pop-up



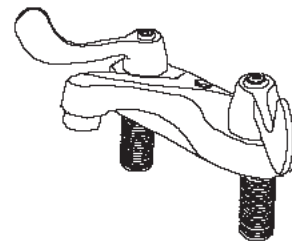
40002104
American Standard Heritage
4" centerset with brass crown
handles less pop-up



40100194
B&K Faucet, 4" washerless w/ acrylic
handles
40100172
Same as above, with pop-up



40100185
Central
Brass 4"
centerset
with 4" cast
brass wrist
handles.
No pop-up

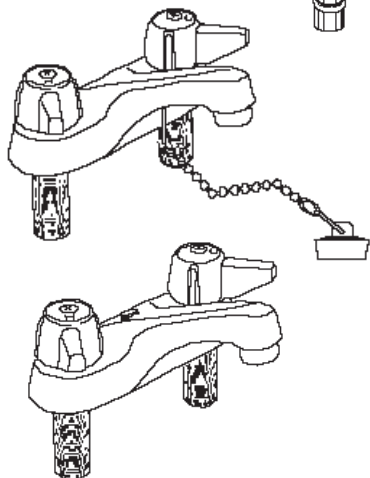
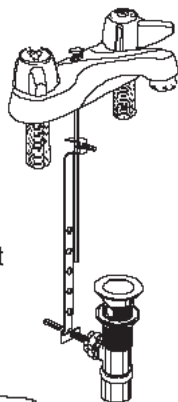


40100183
Central Brass solid cast brass body, 4"
centers with pop-up

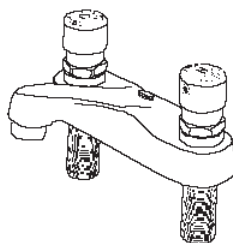
40100041
Same as 40100183
without pop-up

40151138
Same as 40100183
with chain & stopper

40151133
Central Brass solid cast
brass body with 4-5/8"
extended spout



40100121
Central Brass 4"
centerset
vandal-resis-
tant cap.
External cycle
adjustment.



40100036
Kohler Triton
4" centerset
less pop-up



40100168
Delta 4" centerset Crystal-Like handle
with pop-up

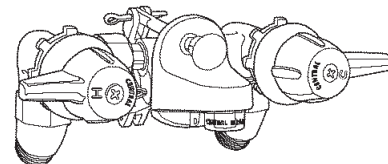
40220502
Same as 40100168 less
pop-up

40100116
With ADA lever
handle -
less pop-up



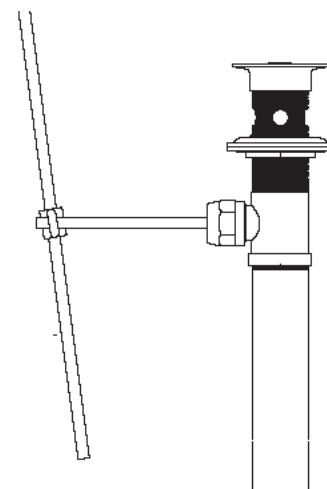
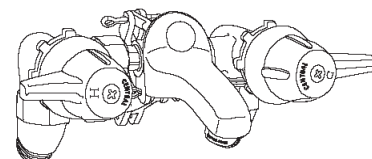
40100184
Central Brass shelf Back cast brass body
adjustable centers 4" to 6" with pop-up

40100039
Same as 40100184 without pop-up



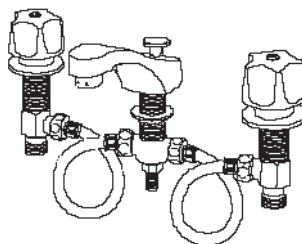
40151178
Central Brass 45 degree slant back with
adjustable centers 4" to 6"

40151179
Same as 40151178 with pop-up



40100182
Central Brass widespread faucet with adjustable
centers 6" to 24" with pop-up

40100159
Central Brass widespread faucet. Adjustable cen-
ters 6" to 24" less pop-up



**TOTAL
MAINTENANCE
SOLUTIONS**

HOUSTON
800/392-5066

ORLANDO
800/327-3022

GREENVILLE
800/476-2212

LOOK FOR US ON THE WEB AT: www.TMSSouth.com

FAUCETS

40100222
 B&K Faucet
 4" centerset, all brass underbody
 less pop-up
 # 40100192
 Same as 40100222 with pop-up
 # 40682200
 Same as 40100222 with acrylic handles



LAVATORY FAUCETS

40684411
 TMS Single handle 4" centerset with pop-up
 # 40684410
 Less pop-up
 # 40100160
 Less pop-up with lever
 #40684425
 w/ pop-up & lever



40100189
 Gerber solid cast brass body, 4" centers
 # 40294340
 With 4" Wrist handles
 # 40100169
 Same as 40100189 with pop-up

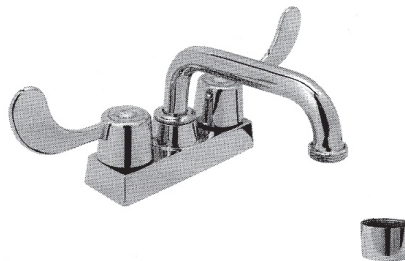


HUNTINGTON BRASS FAUCETS

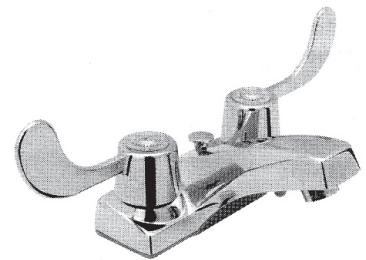


4" TWO HANDLE FAUCET
 "Wind" Style
 Metal Handles
 Brass Washerless Cartridge
 Brass Pop-Up
 Chrome: PART # 40100205

2-HANDLE LAUNDRY FAUCET
 Metal handles
 4" center set laundry faucet
 Price Pfister interchangeable compression stems
 PART # 40404030



2-HANDLE LAVATORY FAUCET
 Metal wrist blade handles
 "Reliaflow" 4" center set
 Brass Pop-up
 Quarter turn washerless cartridge
 PART # 40404040



2-HANDLE BAR FAUCET
 Metal wrist blade handles
 4" centerset bar faucet
 7" high swing spout
 PART # 40404020



MORE PRODUCTS ARE AVAILABLE FROM



CALL US FOR MORE INFORMATION!



HOUSTON
 800/392-5066

ORLANDO
 800/327-3022

GREENVILLE
 800/476-2212

LOOK FOR US ON THE WEB AT: www.TMSSouth.com

FAUCETS

SINK FAUCETS

40100259
Central Brass cast brass top mount with 8" tube spout – 8" centers



40100260
Same as 40100259 with hose & spray

40100198
Central Brass cast brass top mount with 8" tube spout – 6" centers

40100199
Same as 40100198 with hose & spray

40100227
B&K Faucet washerless kitchen w/ acrylic handles

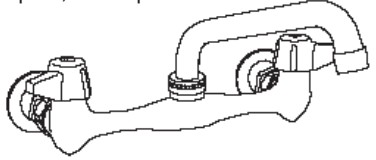


40100193
Same as above with spray

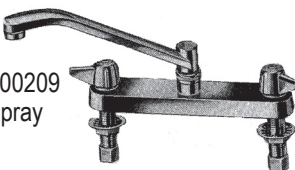
40100174
Central Brass 8" wall mount with 6" tube spout. 1/2" FIP union connection

40100161
Same as 40100174 with 12" tube spout

#40100196
8" spout, w/ soap dish

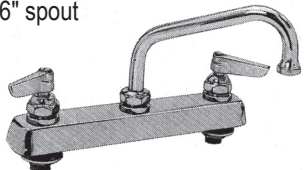


40100209
Central Brass cast brass top mount with 8" centers



40100210
Same as 40100209 with hose & spray

40160128
T&S Brass deck mounting 8" spread with 6" spout




40160123
Same with 8" spout

40160116
Same with 12" spout

40160110
Same less spout

40100338
TMS 8" wall mount cast brass faucet. 1/2" FIP union connection. 12" cast brass spout.

40100339
TMS economy 8" wall mount cast brass faucet with 12" tube spout



40100187
Gerber all brass underbody with 8" tube spout – 8" centers



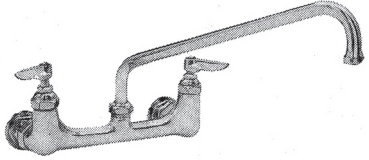
40100188
Same as 40100187 with hose & spray

40100257
Central Brass concealed ledge 8" cast brass spout – 8" centers



40150073
Same as 40100257 with hose & spray

40160070
T&S Brass wall mount 8" centers with 1/2" FIP union connection & 12" spout




40100216
B&K Faucet all brass underbody with 8" cast brass spout – 8" centers



40682302
Same as 40100216 with hose & spray

40100115
Delta single lever with hose & spray



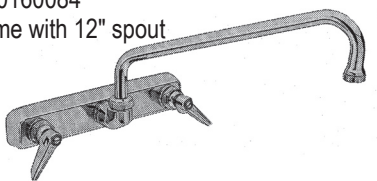
40220100
Same as 40100115 without hose & spray

40160153
T&S Brass slash back mounting 8" spread with 6" spout.


40160111 Same less spout

18861126
Same with 8" spout

40160084
Same with 12" spout



40688820
TMS single lever 8" cast brass spout. 3/8" O.D. copper tube supplies.



40100208
Same as 40688820 with hose & spray



**TOTAL
MAINTENANCE
SOLUTIONS**

HOUSTON
800/392-5066

ORLANDO
800/327-3022

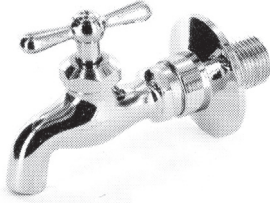
GREENVILLE
800/476-2212

LOOK FOR US ON THE WEB AT: www.TMSSouth.com

FAUCETS

SINK FAUCETS

Single Sink Faucet-hose End.
Polished CP
brass
57753104
1/2" MIP



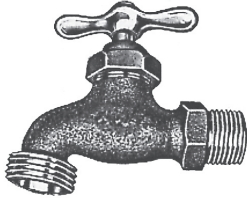
Central Brass Basin Cock.
Solid cast brass.
40100158
Cold index
40100200
Hot index



Single Sink Faucet.
Plain end Polished
CP brass with adj.
flange
57753112
1/2" MIP



Single Sink Faucet-hose End.
Plain brass.
40300176
1/2" MIP
40350081
3/4" MIP



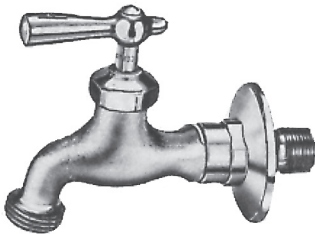
TMS Basin Cock CP
Cast brass.
40100224
Hot & Cold basin cock
40100173
H&C basin cock w/ aerator



Single Sink
Faucet-hose End.
Polished CP brass
57753108
1/2" MIP
57753110
3/4" MIP



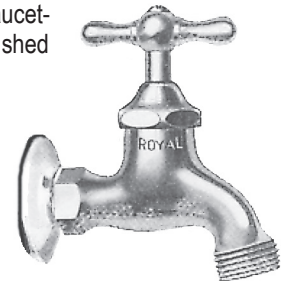
Single Sink Faucet-hose End. CP rough
brass with adj. flange
40100256
1/2" MIP



40100201
Central Brass
Self-Closing Basin Cock.
Plain index.



Single Sink Faucet-
hose End. Polished
CP brass with
flange
57753114
1/2" FIP



Central Brass Slow-Close
Basin Cock with
external cycle
adjustment.
40100202
Cold index
40150354
Hot index



40151131
Shampoo Fitting. Solid cast brass body,
4" centers with bottom outlet.



Did You Know?

TMS South is part of TMS, a group of strategically based MRO distributors in the United States who have combined their resources to bring unparalleled product knowledge and unbeatable service to our customers.

Our depth of regional experience allows us to give our customers exactly what they need quickly and easily. You will speak directly to an experienced service representative, not an order taker. We take the time to understand your unique regional problems and help to find efficient, superior Total Maintenance Solutions for your projects.



HOUSTON
800/392-5066

ORLANDO
800/327-3022

GREENVILLE
800/476-2212

LOOK FOR US ON THE WEB AT: www.TMSSouth.com

CORAL COLLECTION FROM TMS

SINGLE LEVER "D"-TUBE KITCHEN FAUCET

PART # 40100234 With White Spray
 PART # 40100235 Without Spray



TWO-HANDLE "D"-TUBE KITCHEN FAUCET

PART # 40100236
 With Euro-style, White Spray

PART # 40100237
 Without Spray



TWO-HANDLE LAVATORY FAUCET

PART # 40100239
 Less Pop-up

PART # 40101240
 With Pop-up



TWO-HANDLE WIDE SPREAD FAUCET WITH 6"-18" CENTERS

PART # 40100335 With Pop-up
 PART # 40100336 Less Pop-up

TWO-HANDLE HIGH-RISE KITCHEN FAUCET

PART # 40100238 8" Spread, 12-1/4" hi-rise spout, chrome finish with spray



TWO-HANDLE HI-RISE BAR FAUCET

PART # 40100265
 4" Spread, 11-1/4" hi-rise spout, chrome finish



SINGLE LEVER LAVATORY FAUCET

PART # 40100241 Less Pop-up
 PART # 40100242 With Pop-up



TOTAL MAINTENANCE SOLUTIONS

HOUSTON
 800/392-5066

ORLANDO
 800/327-3022

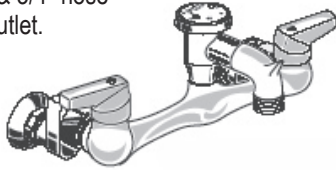
GREENVILLE
 800/476-2212

LOOK FOR US ON THE WEB AT: www.TMSSouth.com

FAUCETS

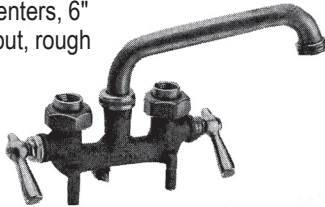
40100157

American Standard service sink faucet. 1/2" FIP inlets on 8" centers with vacuum breaker & 3/4" hose thread outlet.



40150465

Laundry Faucet, cast brass body, 3-1/2" centers, 6" tube spout, rough brass.



40100044

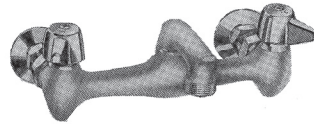
Kohler service sink faucet. 1/2" FIP inlets on 8" centers with vacuum breaker and 3/4" hose thread outlet.



SERVICE SINK FAUCETS

40100197

Central Brass wall mount service sink faucet. 8" spread with 1/2" FIP union flange & 3/4" hose nozzle outlet.



40100038

Speakman service sink faucet. 1/2" eccentric inlets with adjustable threaded wall flanges on 8" centers. Integral stops, 3/4" hose end nozzle with vacuum breaker.



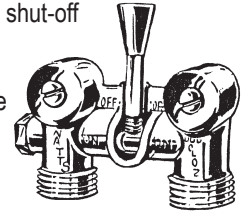
40100046

Same as above with wall brace



59981420

Washing Machine shut-off valve. Ball valve action. 1/2" SWT inlet and 3/4" hose outlets.



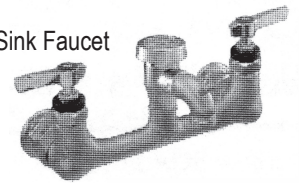
40160085

T&S Service Sink Faucet 1/2" IPS eccentric inlets. 8" centers, 4-3/4" from wall to center of outlet. Rough chrome plated finish. Vacuum breaker nozzle with pail hook & 3/4" garden hose thread.



40100186

TMS Service Sink Faucet



BATH AND SHOWER VALVES

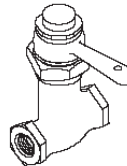
40713812

Tub & shower diverter, 3-3/8" centers for concealed shower.



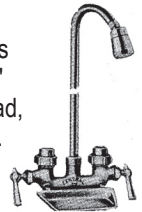
40100178

Self close, lever shower valve w/ chain



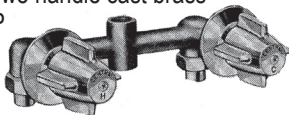
40100118

Utility shower with cast brass body, 3-1/2" centers, 22-1/2" galvanized riser, shower head, soap dish & 1/2" FIP unions.



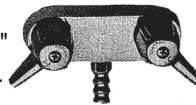
40100211

Tub Valve – Two handle cast brass body, 1/2" FIP unions on 6" centers.



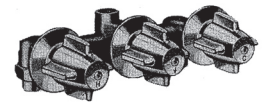
40520043

Leg Tub fitting with 3-3/8" centers, cast brass body.



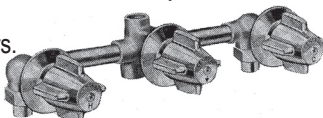
40520033

Three Valve cast brass body, 1/2" FIP unions on 8" centers.



40520034

Three Valve cast brass body, 1/2" FIP unions on 11" centers.



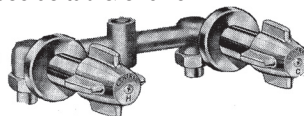
FOOD SERVICE FAUCETS IN SECTION 2

40520032

Tub or Shower valve. Two valve cast brass body, 1/2" FIP unions on 8" centers.

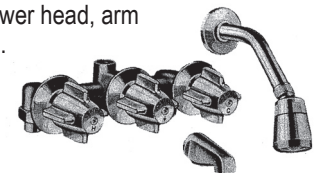
40520035

Same as above but with built-in transfer valve for use as tub & shower valve.



40520016

Three Valve cast brass body, 1/2" FIP unions on 8" centers, Zamack spout, shower head, arm and flange.



HOSPITAL & MEDICAL FAUCETS

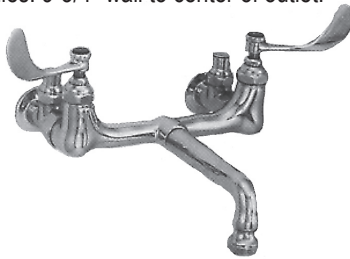
18866010

T&S Brass surgical sink faucet. Deck mount 8" centers with 1/2" outlet. Rigid gooseneck with 4" wrist handles.



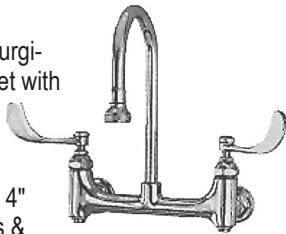
18866050

T&S Brass surgical sink faucet with loose key stops. 8" centers with 4" wrist handles. 9-3/4" wall to center of outlet.



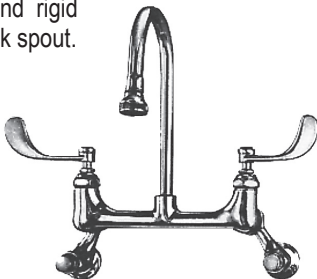
18866030

T&S Brass surgical sink faucet with built-in stops. Wall mount 8" centers with 4" wrist handles & rigid gooseneck.



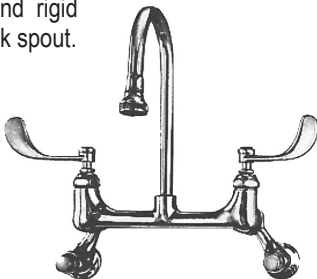
18866020

T&S Brass surgical sink faucet wall mount 8" centers. 4" wrist handles & rigid gooseneck. Without integral stops.



18866042

T&S Brass surgical sink faucet with adjustable inlets & loose key stops. 4" wrist handles and rigid gooseneck spout.



18866012

T&S Brass medical lavatory faucet 4" centers with 4" wrist handles.

18867025

Same as 18866012 with spray outlet.

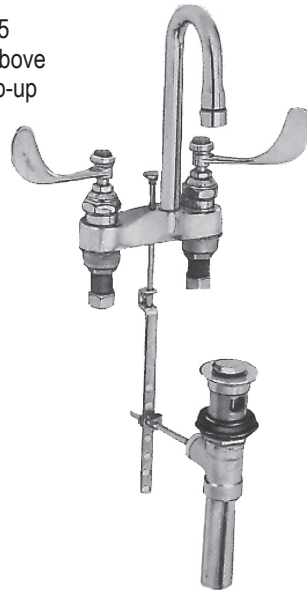


18867022

T&S Brass medical lavatory faucet with pop-up waste. 4" centers and 4" wrist handles with rigid gooseneck spout.

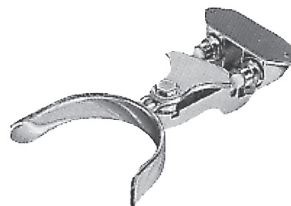
40160155

Same as above without pop-up



18860038

T&S Brass knee action valve. 1/2" FIP inlet and 2-1/2" centers and 1/2" FIP outlet.



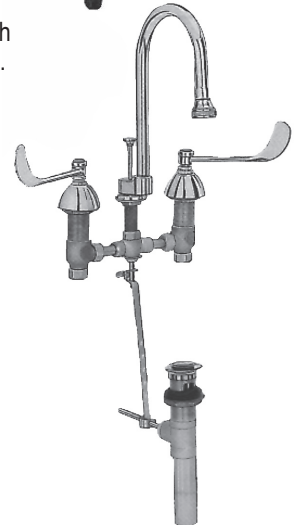
40160115

T&S Brass medical lavatory faucet with 8" adjustable centers. 6" wrist handles and rigid spout.



#18868020

Same as 18868010 with pop-up waste.



40160174

Widespread hospital faucet Includes flex lines that allow variable center-to-center measurement



TOTAL MAINTENANCE SOLUTIONS

HOUSTON
800/392-5066

ORLANDO
800/327-3022

GREENVILLE
800/476-2212

LOOK FOR US ON THE WEB AT: www.TMSSouth.com

FAUCETS

HOSPITAL & MEDICAL FAUCETS

40160076
T&S Brass double pedal valve for floor mount. 1/2" FIP inlet on 2-1/2" centers



#18860046
Single pedal valve for floor mounting.



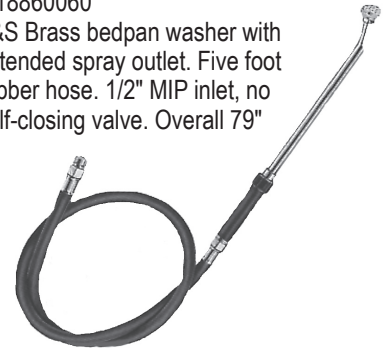
18860045
T&S Brass double pedal valve, wall mounted with long pedals. 1/2" FIP inlets on 2-1/2" centers and 1/2" FIP outlet on top.



18860048
T&S Brass single pedal valve, wall mounted with straight stop.



18860060
T&S Brass bedpan washer with extended spray outlet. Five foot rubber hose. 1/2" MIP inlet, no self-closing valve. Overall 79"



18860044
T&S Brass swivel gooseneck, wall mounted 3/8" FIP inlet.



18860042
T&S Brass rigid gooseneck spout, deck mounted. 10" high with 5" clearance deck to stream. Shank of base is 1/2" MIP with 1/4" MIP tailpiece.



Concealed Deck Mount Widespread Faucet with 5" Cast Spout and 4" Wrist Handles

PART # 40451018 **Encore**™ By CHG



Concealed Deck Mount Widespread Faucet with 3-1/2" Rigid Gooseneck Spout and 4" Wrist Handles
PART # 40451019



SANIGUARD™ By CHG **Encore**™ By CHG

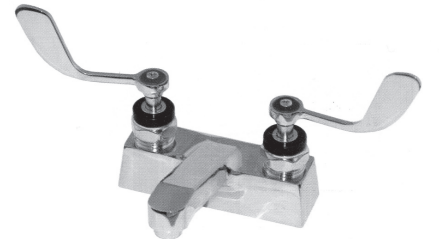
40160071
T&S Brass Pre-Rinse Spray with 44" flexible stainless steel hose.



4" Deck Faucet with Rigid Gooseneck, 4" Wrist Handles
PART # 40451017



4" Deck Faucet with Cast Spout and 4" wrist blades.
PART # 40451016



SANIGUARD™ By CHG **Encore**™ By CHG

18860043
T&S Brass double pedal valve, wall mounted with long pedals. 1/2" FIP inlets on 2-1/2" centers and 1/2" FIP outlet on top.



8" Widespread Cast Spout Faucet
PART # 40310017

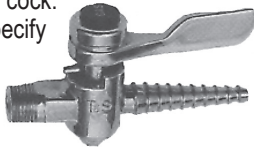


WHAT IS SANIGUARD?
See page 9-13

FAUCETS

LABORATORY SERVICE FITTINGS

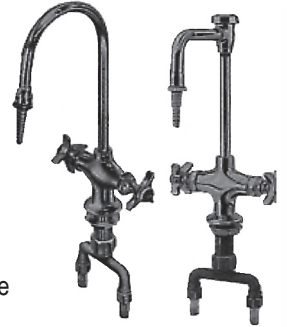
18860209
Ground key hose cock.
3/8" MIP inlet. Specify
gas, air
or vacuum.
Max 30 PSI.



18860200
Needle valve-3/8" MIP inlet.
Specify service desired.
For fine control of rare
gases & standard
services.



18860331
Double Ledge
Faucet. 3/8"
gooseneck.
1/4" MIP
union tail-
pieces on 4"
centers.



18860332
Same as above
with vacuum
breaker gooseneck.

18860214
Turret with Hose Cock 3/8" FIP bottom
inlet. Specify gas, air or vacuum.

18860215
Two outlets at 90 degrees

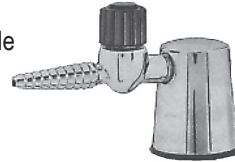
18860216
Two outlets at 180 degrees

18860217
Three outlets

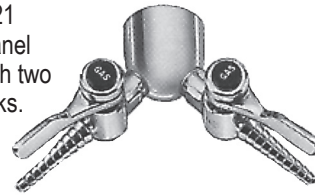
18860218
Four outlets



18860219
Turret with Needle
Valve
3/8" FIP inlet.
Specify
service.

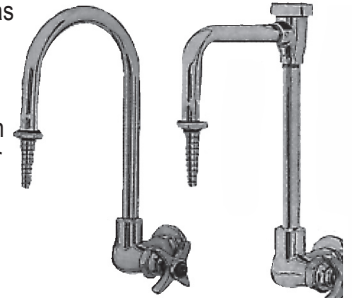


18860221
Double Panel
Flange with two
Hose Cocks.
3/8" FIP
inlet,
ground
key hose cocks. Specify service.

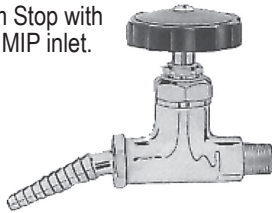


18860350
Single Sink Faucet. 3/8" gooseneck with
1/2" FIP inlet. Specify hot or cold.

18860351
Same as
above
except
with
vacuum
breaker
goose-
neck



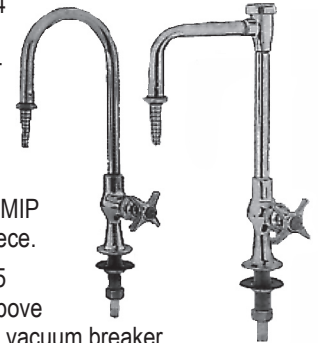
18860330
Straight Steam Stop with
angle tip. 3/8" MIP inlet.



18860210
Laboratory Turret 3/8" FIP bottom
inlet and 3/8" FIP side outlet.
18860208
Same as above with 2 outlets at
180 degrees.



18860034
Single
Ledge Fau-
cet. 3/8"
goose-
neck
with 1/2"
shank-1/4" MIP
union tailpiece.



18860335
Same as above
except with vacuum breaker
gooseneck.

18860347
Sink Mixing Faucet. 3/8"
gooseneck, 1/2" FIP
inlets on 8" centers.

18860348
Same as above
except with
vacuum
breaker
goose-
neck.



18860336
Double Ledge
Faucet with
Taper Body Style.
3/8" gooseneck, 1-
1/8" shank
with 1/4" MIP union
tailpiece.

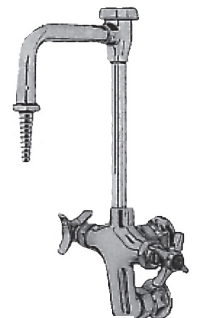
18860337
Same as above
except with
vacuum
breaker
goose-
neck.



18860319
Straight Stop. 3/8" MIP inlet.
Specify air, gas, or vacuum.
40160117
Same as above for water.
Specify hot or cold.



18860358
Vertical Sink Mixing
Faucet. 3/8" vacuum
breaker gooseneck.
1/2" FIP inlets on 3"
vertical centers.

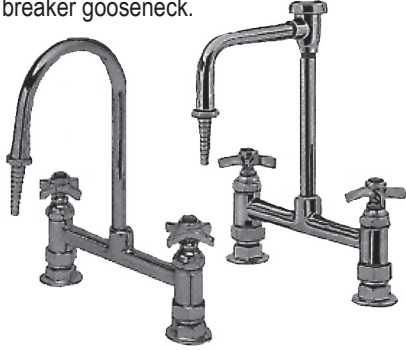


FAUCETS

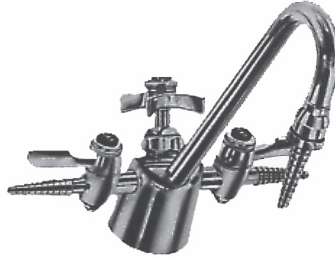
LABORATORY SERVICE FITTINGS

18860341
Ledge Mixing Faucet. 3/8" gooseneck.
1/2" FIP inlets on 8" centers.

18860342
Same as above except with vacuum
breaker gooseneck.



18860360
Combination Gas & Water Fixture
with Hose Cocks. 3/8" FIP inlets
for water & gas. Specify service
gas, air or vacuum.



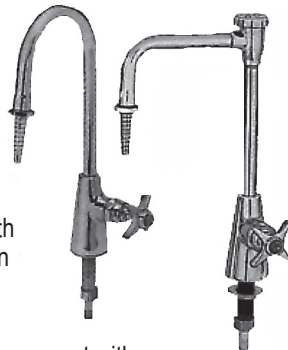
18860380
PVC Single Ledge
Faucet Compression
Type. Rigid
gooseneck.
3/8" FIP inlet.



18860365
Single Self-
Closing Sink
Faucet. 3/8"
gooseneck.
1/2" FIP inlet.
Specify hot or
cold index.



18860349
Single
Ledge
Faucet with
Taper Style
Body. 3/8"
gooseneck.
1/2" shank with
1/4" MIP union
tailpiece.



18860352
Same as above except with
vacuum breaker gooseneck.

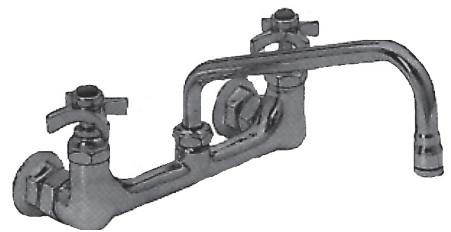
18860385
PVC Single Ledge Faucet Self-Clos-
ing 3/8" FIP inlet. Dual lever control for
manual or self-closing
operations.



#18860353
Single Ledge Faucet. 9" swing nozzle.
1/2" shank with 1/4" MIP union tailpiece.
Specify hot or cold.



18860355
Sink Mixing Faucet. 9" swing nozzle. 1/2"
FIP inlets on 8" centers.



Did You Know?

Then...

- Hippocrates, known as the father of medicine, directed people in Greece to boil and strain their water before drinking it.

Now...

- The first United States water plant with filters was built in 1972 in Poughkeepsie, NY
- In 1908, Jersey City, New Jersey and Chicago, Illinois were the first water supplies to be chlorinated in the US



**TOTAL
MAINTENANCE
SOLUTIONS**

HOUSTON
800/392-5066

ORLANDO
800/327-3022

GREENVILLE
800/476-2212

LOOK FOR US ON THE WEB AT: www.TMSSouth.com

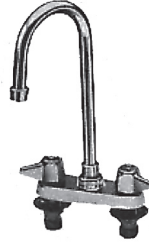
FAUCETS

FOOD SERVICE FITTINGS

18860011
T&S Brass Pot & Glass Filler. Complete with 5 ft. hose and automatic shut-off valve.



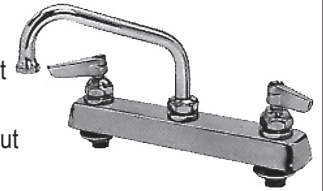
40100176
Cast Brass Bar faucet
4" centers with swivel
gooseneck spout



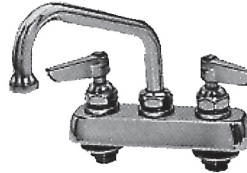
40160128
T&S Brass Workboard faucet. 1/2" MIP shanks on 8" centers for deck mounting with 6" spout.

40160123
With 8" spout

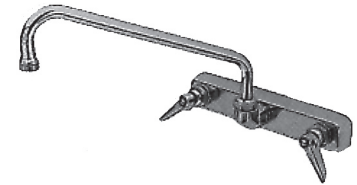
40160116
With 12" spout



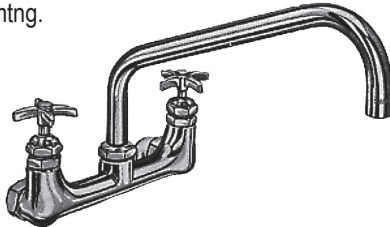
40160121
T&S Brass Bar Sink faucet. 3-1/2" centers with 6" spout. Shanks 1/2" MIP - 1-1/2" long.



40160153
T&S Brass Workboard faucet. 1/2" MIP shanks on 8" centers for splashback mounting with 6" spout.
18861126 - with 8" spout
40160084 - with 12" spout



40160072
T&S Brass "BIG-FLO" faucet. For pot sinks or kettles. 12" spout, 8" centers with 3/4" FIP eccentric union. Splashback mtng.



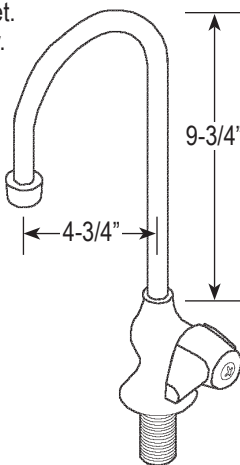
18860096
T&S Brass Bar Sink faucet. 3-1/2" centers with 6" spout. Shanks 1/2" MIP - 1-1/2" long. For splashback mounting.



18860021
T&S Brass Workboard Faucet with S/S Hose & Spray Valve. 1/2" shanks on 8" centers for splashback mounting. Comes with 8" spout with positive diverter for spray nozzle.

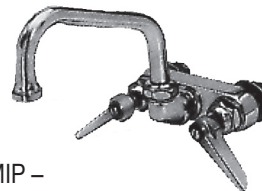


40100120
Single Bar faucet. Cast brass body. Spout with stream former.

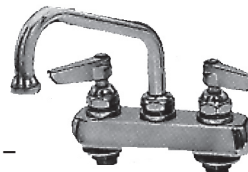


MORE T&S SPOUTS ON PAGE 2-20

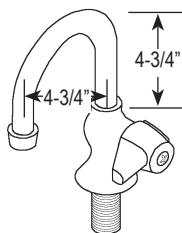
40160092
T&S Brass Bar Sink faucet. 4" centers with 6" spout. Shanks 1/2" MIP - 1-1/2" long. For splashback mounting.



40160077
T&S Brass Bar Sink faucet. 4" centers with 6" spout. Shanks 1/2" MIP - 1" long.



40150281
Single Bar Faucet. Cast brass body. Spout with stream former.



40150327
Glass Filler Pedestal type, cast brass body, 1/2" MIP shank.



40150393
Glass Filler Push Button Type, 3/8" FIP inlet.

40681195
Economy glass filler

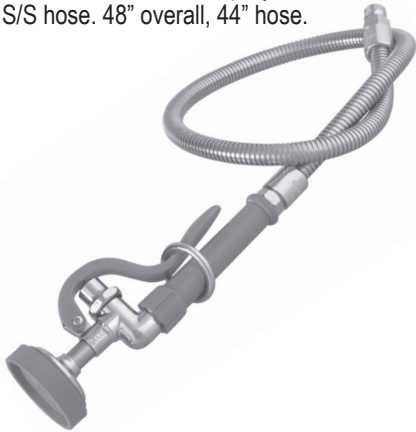


FAUCETS

FOOD SERVICE FITTINGS

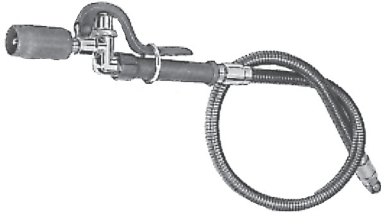
40160071

T&S Brass Pre-Rinse Spray with flexible S/S hose. 48" overall, 44" hose.



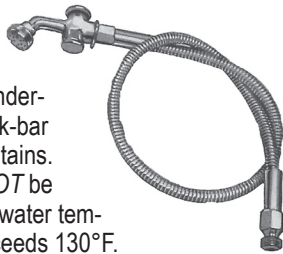
40160156

T & S Brass Pre-Rinse Hose with energy efficient spray. 44" hose.



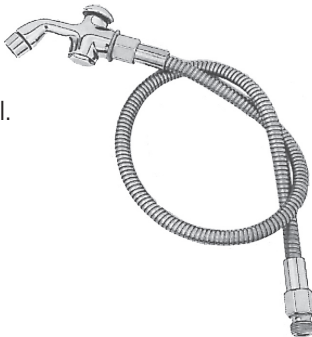
18860015

T&S Brass Pre-Rinse Hose. For under-counter, back-bar or soda fountains. *SHOULD NOT* be used where water temperature exceeds 130°F. 42" overall.



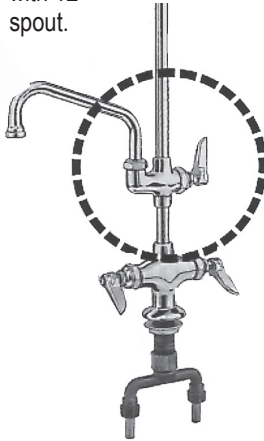
18860013

T&S Brass Pre-Rinse Hose. Same as 18860015 but with small aerator head in place of small spray head. 42" overall.



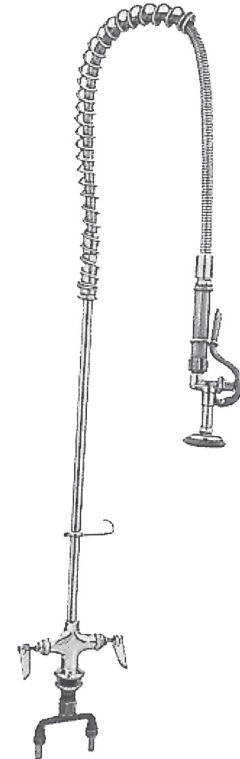
40160083

T&S Brass Add-On faucet. For use with Pre-Rinse units. Unit comes with 12" spout.



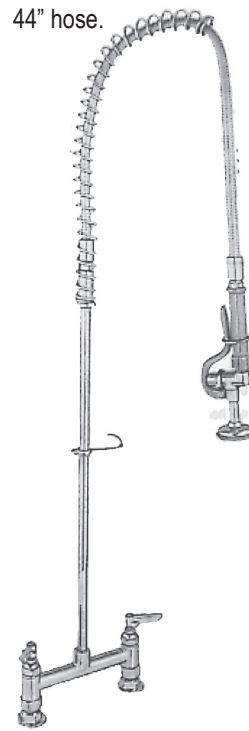
40100113

T&S Brass Pre-Rinse Unit. Complete unit with mixing faucet with 1/4" tailpiece on 4" centers. For deck mount installation. 44" hose, 24" riser, 18" braided supply line.



18860024

T&S Brass Pre-Rinse Unit Complete unit with mixing faucet on 8" centers for deck mount. 44" hose.



18860019

T&S Brass Pre-Rinse Unit. Complete unit with mixing faucet for deck mount installation. Unit has swivel gooseneck for increased coverage. 32" riser, 20" hose.

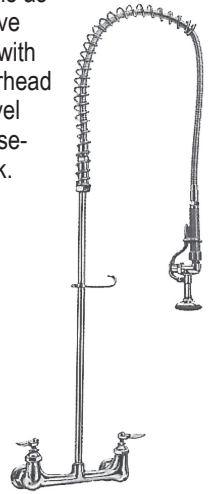


40100114

T&S Brass Pre-Rinse Unit Complete unit with mixing faucet on 8" centers for splashback installation.

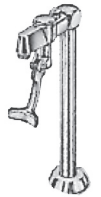
18860017

Same as above but with overhead swivel goose-neck.



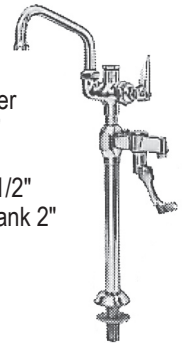
40160122

T&S Brass Pedestal Glass Filler 1/2" MIP shank 2" long.



18860115

T&S Brass Glass & Pitcher Filler 6" swing spout. 1/2" MIP shank 2" long.



18860116

T&S Brass Reel Kleen Unit. Spray nozzle and 35 feet of hose.



TOTAL MAINTENANCE SOLUTIONS

HOUSTON
800/392-5066

ORLANDO
800/327-3022

GREENVILLE
800/476-2212

LOOK FOR US ON THE WEB AT: www.TMSSouth.com

FAUCETS

FOOD SERVICE FITTINGS FROM COMPONENT HARDWARE GROUP

BACKSPLASH FAUCET

- NSF Listed
- New easy 1/4 Turn Full Open Feature
- The only 4" faucet with built-in check valves, to prevent back flow and offer positive seal
- High commercial quality
- International color coded hot and cold identifiers
- Shown with optional wrist blade handles (no. K50-0001)
- Solid heavy-duty cast bodies with Swivel Goose-neck spout



PART # 40451020



WALL MOUNT FAUCET WITH SWIVEL GOOSENECK

- NSF listed
- New easy 1/4 Turn full open feature
- Furnished with both optional aerator and bubbler screen
- Specification grade quality
- Provided with 1/2" NPT female inlets

PART # 40451021



ADD-ON FAUCET

Add-on faucet extends flexibility of Pre-Rinse Assemblies by providing additional swivel spout capability. The only Add-on faucet designed specifically to permit full spout swing without interference with riser pipe. Easy installation, utilizing same water lines and controls as the Pre-Rinse. Separate valve used to control spout flow.

PART # 40451028



DOUBLE PANTRY BASE FAUCET ASSEMBLY

PART # 40451027



Deck Mount Pre-Rinse Valve includes wall bracket. PART # 40310013



12" POT FILLER FAUCET

- Operating Temperature: 40 - 180°F
 - Operating Pressure: 20 - 125psi
 - Flow Rate: 35gpm @ 60psi
 - Handle Treatment: Saniguard™
- Inorganic Antimicrobial - Lasts the life of the product
- Polished Chrome Plated Brass
 - 3/4" NPT Male Inlet
 - Single hole deck mounting
 - Full turn 3/4" Commercial Valves w/ Check Valve
 - Full Flow 1" Diameter Spout

PART # 40451035



COMBO BASE FAUCET ASSEMBLY

PART # 40451025



Wall Mount Pre-Rinse Assembly includes wall bracket. PART # 40310014



Economy Wall Mount Pre-Rinse with Wall Bracket and 18" Riser PART # 40451026

WHAT IS SANIGUARD?

SANIGUARD® plumbing and hardware products utilize silver ion technology combined with our uniquely formulated powder coating material to stop bacterial growth in its tracks. If bacteria cannot grow, it cannot survive. Many contact surfaces in the foodservice kitchen can now be used in the fight to prevent the spread of microbes.



TOTAL MAINTENANCE SOLUTIONS

HOUSTON
800/392-5066

ORLANDO
800/327-3022

GREENVILLE
800/476-2212

LOOK FOR US ON THE WEB AT: www.TMSSouth.com

TOOLS, FASTENERS & SEWER EQUIPMENT

HYDRAULIC DRAIN FLUSHERS

DRAIN KING

PART #	DESCRIPTION
40811010	3/4" & 1" Drains
40811012	1" to 2" Drains
40811007	1-1/2" to 3" Drains
40811002	3" to 4" Drains
40811003	3" to 6" Drains
40811011	4" to 6" Drains
75971214	6" to 10" Drains



DRAINJET

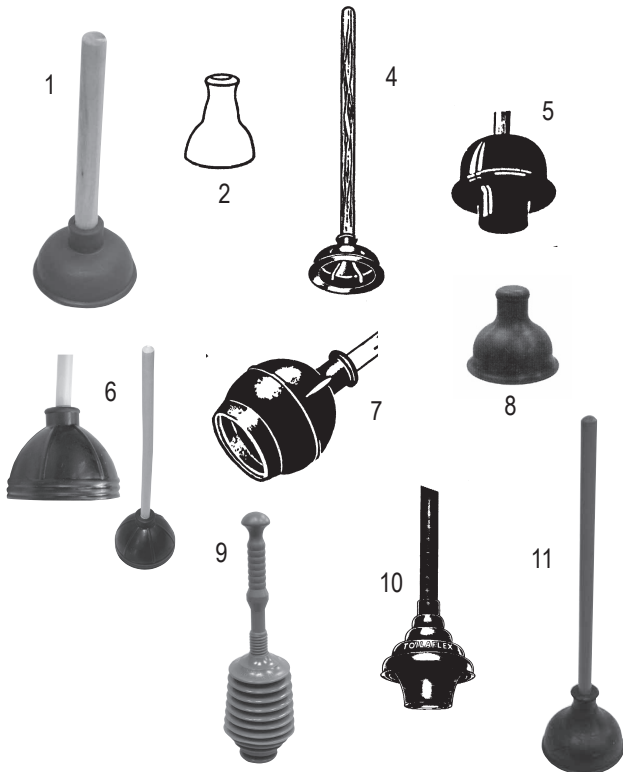
PART #	DESCRIPTION
40811008	1-1/4" to 2" Drains
40811009	2" to 2-1/2" Drains
40811005	2-3/4" to 3" Drains
40811004	3-1/2" to 4" Drains
40811006	4-1/2" to 6" Drains

- Expands under water pressure
- Built-in backflow preventer
- Attaches to garden hose
- Easy and economical
- Ecologically safe, no chemicals needed



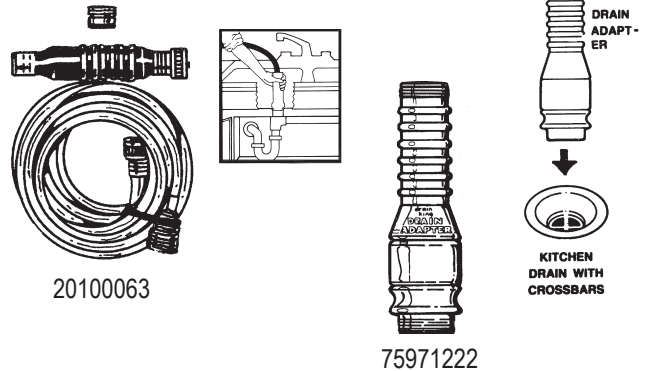
FORCE CUPS

ITEM	PART #	DESCRIPTION
1	20100002	4" Dia. cup with 9" handle
2	20100160	4" Dia. high neck cup w/ 24" handle
3	75160100	5" Dia. cup with 18" handle (not shown)
4	20100161	6" Dia. cup with 18" handle
5	75720160	6" Dia. cup with 21" handle
6	20100057	Samson Heavy Duty Force Cup w/ 21" handle
7	20100162	Drain Pump Heavy Duty Force Cup w/ 21" handle
8	20100061	Hand held mini plunger, 2"
9	20100010	Master Plunger
10	20100064	"Toilaflex" Heavy Duty Force Cup
11	20100059	Bull Dog Force Cup



HYDRAULIC DRAIN FLUSHER ACCESSORIES

PART #	DESCRIPTION
75971222	Drain adapter
20100063	All in one Drain Kit for 1-1/2" to 3" Drains. Includes hose & faucet aerator adapter
75971206	10' hose with aerator adapter



TMS "DRIP PROOF" PLUNGER BAG

- 28" long by 7" wide
- Breathable mesh end
- Washable
- Nylon zipper
- Carrying handle



PART # 20100067



Breathable mesh end on one end of bag provides a constant exchange of fresh air.

*Plunger not included



HOUSTON
800/392-5066

ORLANDO
800/327-3022

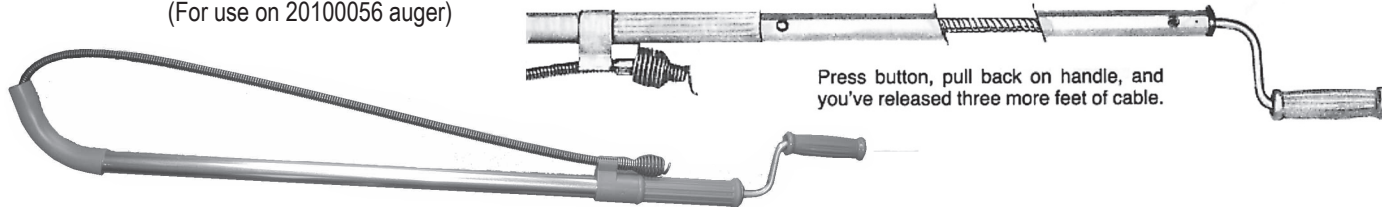
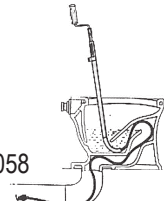
GREENVILLE
800/476-2212

LOOK FOR US ON THE WEB AT: www.TMSSouth.com

TOOLS, FASTENERS & SEWER EQUIPMENT

CLOSET AUGERS

PART #	DESCRIPTION	PART #	DESCRIPTION
20100006	3 ft. Flexicore – regular head, 3/8	75361520	Replacement Head only – regular head
20100152	3 ft. Flexicore music wire – regular head	75361525	Replacement Head only – downhead
20100066	3 ft. with drop head	20100058	Urinal auger, 5/16
20100007	6 ft. Teletube Flexicore – downhead, 3/8	75361501	Economy closet auger
20100056	6 ft. Teletube Flexicore – regular head	20100058	Cable only for urinal auger, PART # 20100058
20100163	6 ft. Cable only Flexicore – regular head (For use on 20100056 auger)		



Press button, pull back on handle, and you've released three more feet of cable.

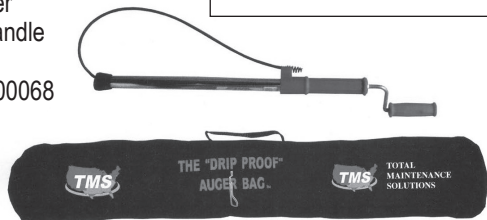
TMS "DRIP PROOF" AUGER BAG

- 46" long by 7" wide
- Breathable mesh end
- Washable
- Nylon zipper
- Carrying handle



Breathable mesh end on one end of bag provides a constant exchange of fresh air.

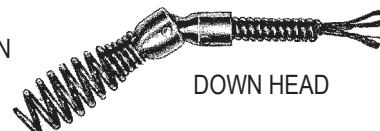
PART # 20100068



*Auger not included

ECONOMY AUGER WITH ROTARY HANDLE

PART #	DESCRIPTION
75361108	1/4" X 25 ft. cable



DOWN HEAD

FLEXICORE WIRE ROPE CENTER AUGERS

Comes with Rotary Handle.
For 1-1/4" thru 2" drain lines.



REGULAR HEAD

PART #	DESCRIPTION
75361102	3/8" X 25 ft. with Downhead
75361104	3/8" X 35 ft. with Downhead
75361106	3/8" X 50 ft. with Downhead

PLUMBER ONE

Environmentally safe, uses no acid or lye. One can unblocks up to 12 drains.



PART #	DESCRIPTION
75002002	3 piece starter set

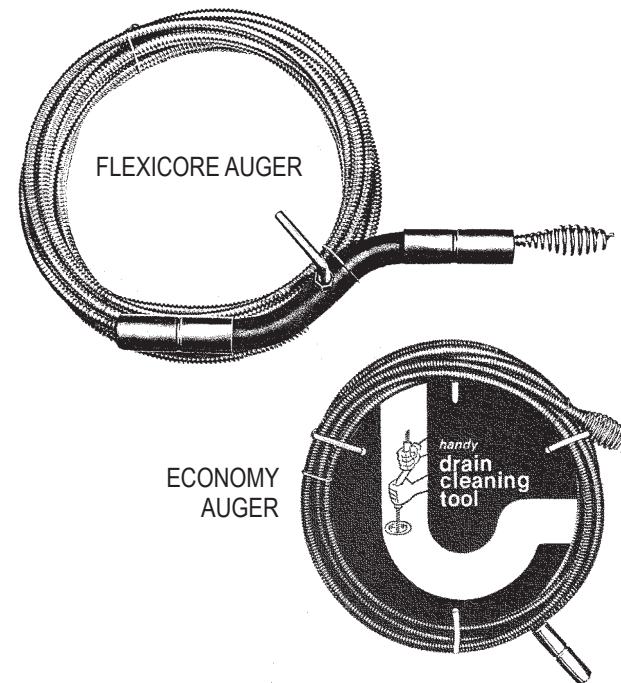
PRESSURE PLUMBER

Instant drain opener. Ozone friendly, non-toxic.

PART #	DESCRIPTION
60800002	10.5 oz can

POWER PLUMBER CONDENSATE LINE CLEANER KIT

PART # 75006001



FLEXICORE AUGER

ECONOMY AUGER



HOUSTON
800/392-5066

ORLANDO
800/327-3022

GREENVILLE
800/476-2212

LOOK FOR US ON THE WEB AT: www.TMSSouth.com

TOOLS, FASTENERS & SEWER EQUIPMENT

JET PLUNGER

Don't plunge it – JET PLUNGE IT!

- One way compressed air
- Hygienic system eliminates splashback
- Unique ergonomic design
- Anti-microbial storage catch-base

PART # 20100060



ALSO AVAILABLE:

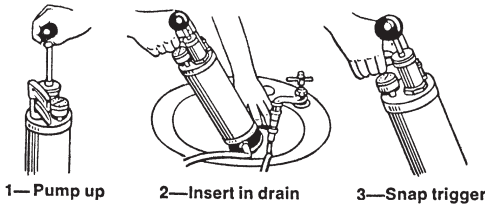
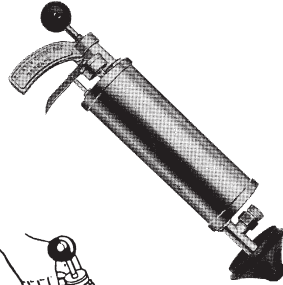
Sink kit/small drain attachment

PART # 75164042

KINETIC WATER RAM

Kinetic water ram, complete with water supply hose, universal faucet adapter, caulking hose, 4" rubber cone, 5 rubber plugs plus carrying case.

PART # 20100063

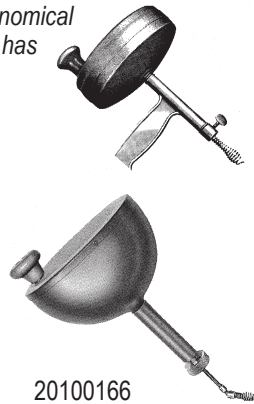


SNAKENTAINER

75361114

Cleans drain lines from 1-1/4" thru 2". Economical way to unstop small drain lines. Container has the capacity of 35 feet of 3/8" or 50 feet of smaller snakes.

PART#	DESCRIPTION
20100164	1/4" X 25 ft. cable with downhead
20100165	1/4" X 25 ft. cable with regular head
20100166	Handy Snakentainer only
75361114	Economy Drain Cleaner w/ 1/4" X 25 ft. cable



20100166

WATER PUMP

36" pump with 72" discharge hose
PART # 20100077



PLUMBER'S AIR PUMP

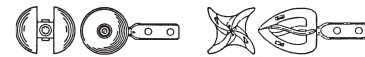
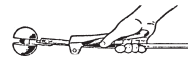
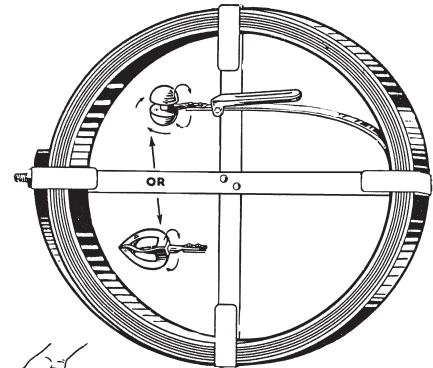
Part # 20100078



FLAT SEWER RODS

PART #	PIPE SIZE	DESCRIPTION
75361110	Small pipe	1/4" X 1/16" X 25 ft. w/ roller head
40811001	Small pipe	1/4" X 1/16" X 25 ft. w/ drop head
20100062	2" thru 4"	1/2" X 1/16" X 50 ft. w/ roller head
75361138	2" thru 4"	1/2" X 1/8" X 50 ft. w/ roller head
75361140	2" thru 4"	1/2" X 1/8" X 75 ft. w/ roller head
75361142	4" thru 6"	3/4" X 1/8" X 50 ft. w/ roller head
75361144	4" thru 6"	3/4" X 1/8" X 75 ft. w/ roller head

* Longer length Rods are available



REVOLVING ROLLER & SPEAR HEAD



FLEXIBLE ROLLER & SPEAR HEAD

EXTRA PARTS FOR FLAT SEWER RODS

PART #	DESCRIPTION
20100167	Revolving roller head for 1/2" X 1/16" Rod
20100168	Revolving roller head for 1/2" X 1/8", 3/4" X 1/16" & 3/4" X 1/8" Rod
20100169	Revolving roller head for 1" X 1/8" or 1-1/4" X 1/8" Rod
20100170	Flexible roller head for 1/2" X 1/16" Rod
20100171	Flexible roller head for 1/2" X 1/8", 3/4" X 1/16" & 3/4" X 1/8" Rod
20100172	Revolving spear head for 1/2" X 1/16", 3/4" X 1/16" & 1/2" X 1/8" Rod
20100173	Flexible spear head for 1/2" X 1/16", 3/4" X 1/16" & 1/2" X 1/8" Rod
20100174	Flexible spear head for 3/4" X 1/8" & 1" X 1/8" Rod

"THE SUCK TUBE"

Part # 64100617



TOTAL MAINTENANCE SOLUTIONS

HOUSTON
800/392-5066

ORLANDO
800/327-3022

GREENVILLE
800/476-2212

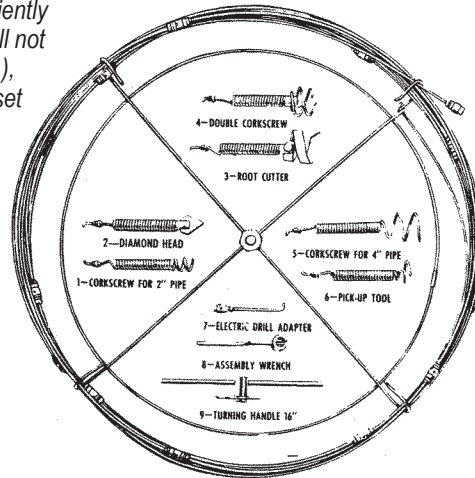
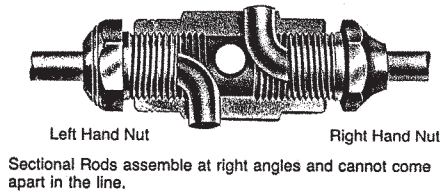
LOOK FOR US ON THE WEB AT: www.TMSSouth.com

TOOLS, FASTENERS & SEWER EQUIPMENT

SECTIONAL SEWER RODS

1/4" X 6 foot sections of round oil tempered steel. Operates efficiently at 200 feet. Makes 90 degree bends in 4" and 6" sewer lines. Will not operate in traps. Sewer Rod unit consists of 17 rods (total 102 ft.), couplings, cutter set and rod frame. Additional Rods and Cutter set components are available. Use TMS PART # 75360120 for ordering the complete Sewer Rod unit.

Cutaway View of Galvanized Coupling



Attach desired tool and assemble 6 ft. sections while feeding rod to obstruction.

Engage turning handle on first coupling from the end, with rod under arm to balance operation. Turn into stoppage and pull out to release water.

GENERAL WIRE SPRING CO. GEN-EYE3

For in-line inspection and preventative maintenance of sewer and drain lines, septic tanks, heating and cooling ducts, crawl spaces, etc. Troubleshoot 1-1/2" though 12" lines. Durable stainless steel camera body protects it and a scratch resistant sapphire lens keeps pictures crystal clear. Specially designed spring and camera shape negotiates bends and slides smoothly through the line. 28 ultra bright LED's.



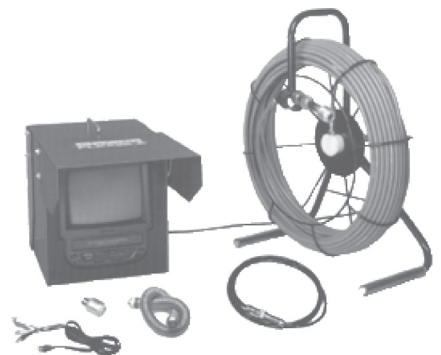
General Wire Spring Co.

SRECO FLEXIBLE TELEVISION INSPECTION SYSTEMS

Deluxe Video Inspection System with VCR Monitor

System Includes:

- Monitor with built in VCR, microphone, speaker and AC/DC adapter
- Heavy duty metal carrying case
- Push cable and portable reel with 100', 150' and 200' cable options
- Monitor cable
- Flexicam™ low lux mini-camera with red cluster LED lights
- "New Style" Flexlink cable to slide camera easily through pipe bends



CALL US FOR ADDITIONAL INFORMATION AND AVAILABLE SYSTEMS AND ACCESSORIES



TOTAL MAINTENANCE SOLUTIONS

HOUSTON
800/392-5066

ORLANDO
800/327-3022

GREENVILLE
800/476-2212

LOOK FOR US ON THE WEB AT: www.TMSSouth.com

TOOLS, FASTENERS & SEWER EQUIPMENT

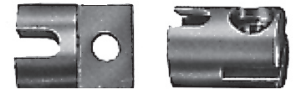
GENERAL WIRE SPRING CUTTING HEADS



BORING GIMLET
For removing loose objects
PART # 20100039- 3/8" Cable



SIDE CUTTER BLADES
For cutting and scraping
PART # DESCRIPTION
20100038 3/8" Cable 1-1/4" drain
20100175 1/2", 5/8" & 3/4" Cable 2" drain
20100176 1/2", 5/8" & 3/4" Cable 3" drain
20100177 1/2", 5/8" & 3/4" Cable 4" drain



FEMALE CONNECTOR
PART # 75361034- 3/8" Cable
PART # 75361040- 1/2" Cable
PART # 75361043- 5/8" Cable
PART # 75361044- 3/4" Cable



FLEXIBLE ARROW HEAD
For sharp turns in small lines
PART # 20100178- 3/8" Cable



SPEAR HEAD
A good starting tool to get water flowing
PART # 75361222- 5/8" or 3/4" Cable



HEAVY DUTY SIDE CUTTERS
Extra thick blades with beveled edges
PART # DESCRIPTION
75361018 5/8" or 3/4" Cable 3" drain
75361020 5/8" or 3/4" Cable 4" drain



DOWN HEAD BORING GIMLET
Leads cable down the line
PART # 20100040- 3/8" Cable



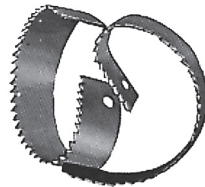
2" "U" CUTTER
For cutting and scraping
PART # 20100181- 1/2", 5/8" & 3/4" Cable



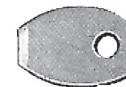
CORKSCREW RETRIEVING TOOL
For removing loose objects
PART # 20100184- 5/8" or 3/4" Cable



ALL-PURPOSE DOWN HEAD FITTING
Can be used with all standard Super-Vee cutters
PART # 20100179- 3/8" or 1/2" Cable



ROTARY SAW BLADES
For roots and other stoppages
PART # DESCRIPTION
20100182 1/2", 5/8" & 3/4" Cable 3" drain
20100183 1/2", 5/8" & 3/4" Cable 4" drain



ARROW HEAD
Starting drill
PART # 20100037 - 3/8" or 1/2" Cable



1-1/2" "U" CUTTER
For cutting and scraping
PART # 20100180- 3/8" or 1/2" Cable



ROOT RIPPER
Heavy spring screws into root mass, while front hook tears into stoppage
PART # 75361228- 5/8" or 3/4" Cable



HEAVY DUTY SAW BLADES
For roots and other stoppages
PART # DESCRIPTION
75361080 5/8" or 3/4" Cable 3" drain
75361082 5/8" or 3/4" Cable 4" drain



TOTAL MAINTENANCE SOLUTIONS

HOUSTON
800/392-5066

ORLANDO
800/327-3022

GREENVILLE
800/476-2212

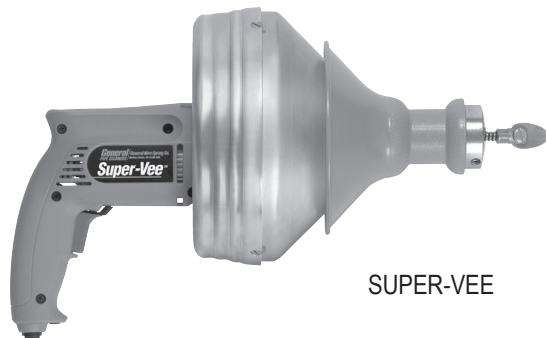
LOOK FOR US ON THE WEB AT: www.TMSSouth.com

TOOLS, FASTENERS & SEWER EQUIPMENT

SUPER-VEE

Double insulated unit with Vari-Speed switch and slide action chuck. Cleans drains 1-1/4" thru 3". Drum has 50 ft. capacity of 1/4" or 5/16" cable or 35 ft. of 3/8" cable.

PART #	DESCRIPTION
20100185	Basic unit with carrying case, 25 ft. x 1/4", 25 ft. x 3/8" cables, cutter set & one cartridge.
20100186	Basic unit with carrying case, 50 ft. x 1/4", 35 ft. x 3/8" cables, cutter set & one cartridge.
75362006	Cordless Super-Vee with case, 25 ft. x 1/4" cable, two batteries and charger.



SUPER-VEE

SUPER-VEE REPLACEMENT CABLES & ACCESSORIES

PART #	DESCRIPTION
20100011	1/4" x 25 ft. with EI Basin plug head
40811001	1/4" x 25 ft. with Down Head
20100024	3/8" x 35 ft. with female connector
20100187	Metal carrying case
20100037	Arrow Head
20100039	Boring Gimlet
20100040	Down Head boring gimlet
20100038	1-1/4" Side Cutter blade (2 pieces)
20100178	Flexible arrow head



CORDLESS SUPER-VEE

SPEEDROOTER

For 2" lines thru 10" lines. Power feed handles 3/4", 5/8" & 1/2" cables. Maximum operating distance is 200 ft. Maximum drum capacity is 75 ft. of 3/4" or 100 ft. of 5/8" cable. Operator can vary cable speed from 0 to 20 ft. per minute.

PART #	DESCRIPTION
40811000	Basic unit with 1/2 HP motor, air foot switch, 20 ft. power cord, leather gloves, SRCS cutter set, and 100 ft x 5/8" cable in drum.

SPEEDROOTER REPLACEMENT CABLES & ACCESSORIES

PART #	DESCRIPTION
75361220*	33" Flexible leader
75361222*	Spear Head
20100176*	3" Side Cutter blades
20100177*	4" Side Cutter blades
20100181*	2" U-Cutter
75361080*	3" Heavy Duty Saw blade
75361082	4" Heavy Duty Saw blade
75361046	Air foot switch
20100182	3" Rotary Saw blade
20100183*	4" Rotary Saw blade
20100184*	Large Retrieving Tool
20100035	75 ft. x 3/4" cable
20100032	100 ft. x 5/8" cable
20100036	100 ft. x 3/4" cable
20100042	75' x 3/8" cable



* Items included in SRCS cutter set

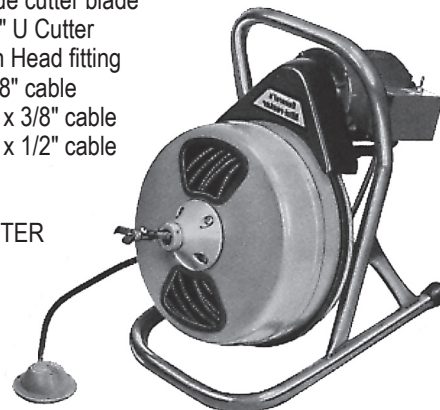
MINI-ROOTER

For small drains 1-1/4" thru 3" and most 4" drains. Clears drains from roof-top to basement, including kitchen, bath and laundry drains. Maximum capacity is 75 ft. of 1/2" cable.

PART #	DESCRIPTION
20100188	Basic unit, drum, 1/3 HP motor w/reverse switch, air foot switch, leather gloves, cutter set and 75 ft. x 3/8" cable.
75362020	XP-Mini-rooter w/ power feed

MINI-ROOTER REPLACEMENT CABLES & ACCESSORIES

PART #	DESCRIPTION
20100037	Arrow Head
20100039	Boring Gimlet
20100175	2" Side cutter blade
20100180	1-1/2" U Cutter
20100179	Down Head fitting for 3/8" cable
20100042	75 ft. x 3/8" cable
20100043	75 ft. x 1/2" cable



MINI-ROOTER



**TOTAL
MAINTENANCE
SOLUTIONS**

HOUSTON
800/392-5066

ORLANDO
800/327-3022

GREENVILLE
800/476-2212

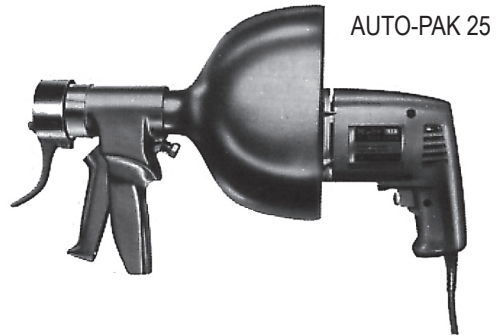
LOOK FOR US ON THE WEB AT: www.TMSSouth.com

TOOLS, FASTENERS & SEWER EQUIPMENT

MARCO AUTO PAK 25

"Squeeze Ease" chuck, high impact plastic drum, variable speed motor. "Roll-A-Feed" feature allows for fully automatic 0 to 12 feet-per-minute feed and retrieval. Designed for 1-1/4" thru 2-1/2" drains. Maximum operating distance is 50 ft.

PART #	DESCRIPTION
75633002	Basic unit with 35 ft. x 3/8" cable and 3/8" head set.


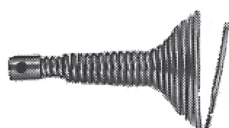












PICK-A-PACK REPLACEMENT CABLES AND ACCESSORIES

PART #	DESCRIPTION
75634002	3/8" Bore Head
75631070	3/8" Drop Head
75634006	3/8" Cutter Head
75634004	3/8" Coupling
75634008	35 ft. x 3/8" Cable

FOR ADDITIONAL MARCO SEWER MACHINES AND ACCESSORIES
PLEASE CALL US!

MARCO CUTTING HEADS

 <p>BORE HEAD PART # 75634002 - 3/8" cable PART # 75634010 - 1/2" cable</p>	 <p>RETRIEVER HEAD PART # 75634034- 3/4" cable</p>	 <p>OPEN CUTTER 4" PART # 75634028- 3/4" cable</p>	 <p>SPEAR FIN PART # 75634032- 3/4" cable</p>
 <p>OPEN CUTTER 1-1/2" PART # 75634016- 1/2" cable</p>	 <p>OPEN CUTTER 3" PART # 75634020- 1/2" cable PART # 75634026- 3/4" cable</p>	 <p>ROOT CUTTER PART # 75634038- 3/4" cable</p>	 <p>OPEN CUTTER 2" PART # 75634018- 1/2" cable</p>
 <p>HUNTER HEAD PART # 75634012 -1/2" cable</p>	 <p>AUGER HEAD PART # 75634036- 3/4" cable</p>	 <p>CUTTER HEAD PART # 75634006 - 3/8" cable</p>	 <p>OPEN CUTTER 6" PART # 75634030- 3/4" cable</p>



TOTAL MAINTENANCE SOLUTIONS

HOUSTON
800/392-5066

ORLANDO
800/327-3022

GREENVILLE
800/476-2212

LOOK FOR US ON THE WEB AT: www.TMSSouth.com

TOOLS, FASTENERS & SEWER EQUIPMENT

SPARTAN SEWER PRODUCTS

SPARTAN MODEL 100

- Holds up to 75' of cable
- Optional power feed & roll-aid
- Adjustable trunion for changing angle of cable feed



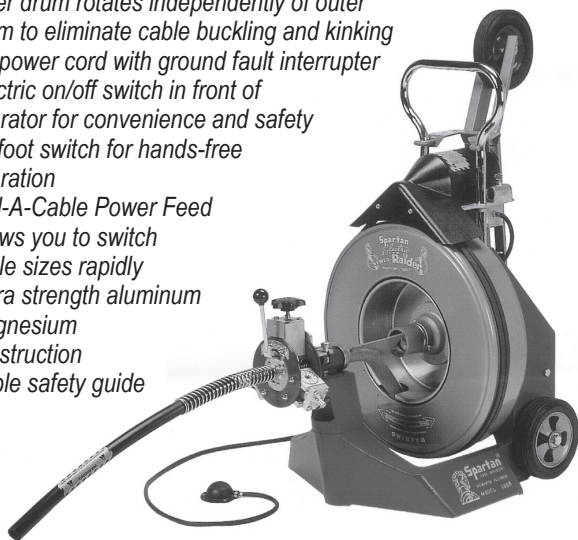
SPARTAN MODEL 300

- Ideal for medium jobs
- Slimline design
- Dependable quick start
- Dial-A-Cable Power Feed (manual feed optional)



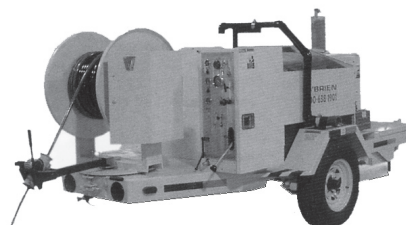
SPARTAN MODEL 1065

- Totally enclosed, heavy duty Universal AC HP motor with reverse capability and water tight switch
- Senses need for more power for difficult blockages and automatically increases.
- Spartan Spar-matic™ Power Cable Feed with lever control (manual cable feed available)
- Inner drum rotates independently of outer drum to eliminate cable buckling and kinking
- 25' power cord with ground fault interrupter
- Electric on/off switch in front of operator for convenience and safety
- Air foot switch for hands-free operation
- Dial-A-Cable Power Feed allows you to switch cable sizes rapidly
- Extra strength aluminum magnesium construction
- Cable safety guide



O'BRIEN JETTERS

- Trailer Jettors
- Cart Jettors



**FOR MORE INFORMATION ON THESE ITEMS
OR ADDITIONAL PRODUCTS
PLEASE CALL OUR FRIENDLY SALES STAFF.**



**TOTAL
MAINTENANCE
SOLUTIONS**

HOUSTON
800/392-5066

ORLANDO
800/327-3022

GREENVILLE
800/476-2212

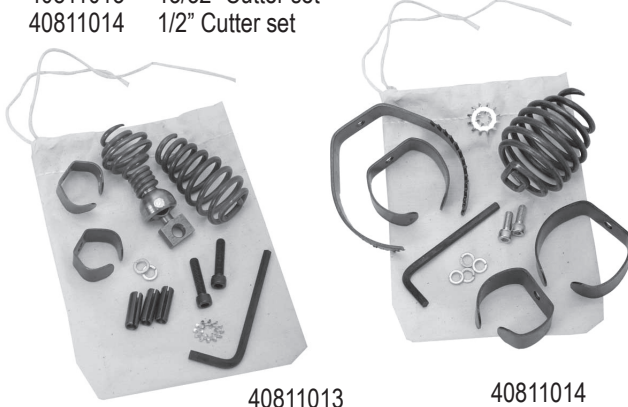
LOOK FOR US ON THE WEB AT: www.TMSSouth.com

TOOLS, FASTENERS & SEWER EQUIPMENT

SPARTAN DRAIN CLEANING PARTS

CUTTER SETS FOR MODEL 100

PART #	DESCRIPTION
40811013	13/32" Cutter set
40811014	1/2" Cutter set



2" U-BLADE

PART # 02799000



3" U-BLADE

PART # 02786600



4" U-BLADE

PART # 02790900



2" BLADE HOLDER

PART # 02799300



3" - 4" BLADE HOLDER

PART # 02799400



SPEAR BLADE

PART # 02798800



REPLACEMENT CABLES

MODEL 1065

PART #	DESCRIPTION
04209901	3/4" x 25' No core cable
04209902	3/4" x 50' No core cable

MODEL 300

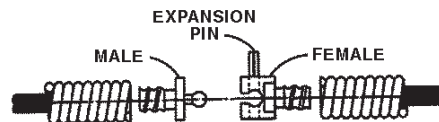
PART #	DESCRIPTION
03448703	1/2" x 50' Inner core cable
03448704	1/2" x 75' Inner core cable

MODEL 100

PART #	DESCRIPTION
03449005	5/16" x 50' Inner core cable
03449006	5/16" x 75' Inner core cable
03448806	13/32" x 100' Inner core cable

CABLE END OPTIONS

#4 MAGNUM - MALE AND FEMALE COUPLING



#6 ROD PLUG (ACCEPTS BLADES ONLY)



#8 ROD PLUG (ACCEPTS BLADES AND DROP HEADS)



**TOTAL
MAINTENANCE
SOLUTIONS**

HOUSTON
800/392-5066

ORLANDO
800/327-3022

GREENVILLE
800/476-2212

LOOK FOR US ON THE WEB AT: www.TMSSouth.com

TOOLS, FASTENERS & SEWER EQUIPMENT

RIDGID DRAIN CLEANING PRODUCTS

K-39 SINK MACHINE

With slide action chuck. Comes with carry case, 5/16" x 25' inner core cable with inner drum and bulb auger. 115V
TMS PART #20100071



K-3800 DRUM MACHINE

With standard equipment, C-32 3/8" x 75' cable, T-202 bulb auger, T-205 "C" cutter, T-211 spade cutter, A-13 pin key and pair of gloves.
TMS # 20100072

Replacement cable
C-32 3/8" x 75' inner core cable
TMS # 20100069



K-750 DRUM MACHINE

115V-60Hz, includes one pair of gloves, C-100 AUTOFEED, standard 3/4" tool set, and C-100, 100' x 3/4" cable.
TMS # 20100074

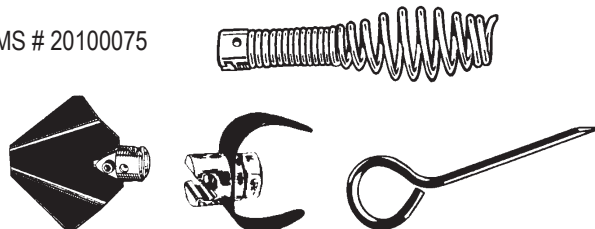
Replacement cable (see below)



CUTTER SET FOR 3/8" IC, 3/8" IW AND 1/2" IW CABLES

Includes T-202 bulb auger, T-205 "C" cutter, T-211 spade cutter and A-13 pin key

TMS # 20100075



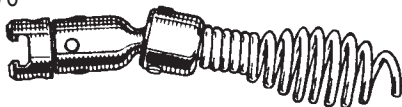
INNER CORE CABLE

C-29 3/4" x 50' inner core cable
TMS # 20100070



T-217 DROP HEAD

TMS PART # 20100076



TRANSPORT CART

TMS # 20100073



NEED

- STRAIGHT AUGERS
- SPIRAL CUTTERS
- GREASE CUTTERS
- 4-BLADE CUTTERS
- SPADE CUTTERS
- KNIFE BLADE CUTTERS
- SPEAR BLADES
- SAWTOOTH CUTTERS
- DOUBLE CUTTERS
- 3-BLADE CUTTERS?

CALL US!



**TOTAL
MAINTENANCE
SOLUTIONS**

HOUSTON
800/392-5066

ORLANDO
800/327-3022

GREENVILLE
800/476-2212

LOOK FOR US ON THE WEB AT: www.TMSSouth.com

TOOLS, FASTENERS & SEWER EQUIPMENT

PROFESSIONAL TOOLS FROM



HEAVY DUTY PIPE WRENCH

PART #	DESCRIPTION
20301440	8" – max. OD 1/2"
20301441	10" – max. OD 1-1/2"
20301442	12" – max. OD 2"
20301443	14" – max. OD 2"
20301444	18" – max. OD 2-1/2"
20301445	24" – max. OD 3"



ALUMINUM PIPE WRENCH

PART #	DESCRIPTION
20301242	14" – max. OD 2"
20301243	18" – max. OD 2-1/2"
20301244	24" – max OD 3"

PLUMBERS PLIERS

PART #	DESCRIPTION
20301246	10" – max. OD 1-1/4"
20301247	12" – max. OD 1-1/2"



SANIGRIP PL PLIER

Plastic jaws protect fittings
PART # 20301275



ROGRIP® SELF ADJUSTING MULTI-PURPOSE PLIERS

10" – max. OD 1-5/8"
PART # 20301248



STRAP AND FITTINGS WRENCH

12" long, 3" max OD
PART # 20301305



CUTTERS

MINIMAX TUBE CUTTER FOR COPPER TUBES

PART #	DESCRIPTION
20301249	1/8" – 1-1/8"
20301255	2 pk cutter wheel replacement



PRO 35 TUBE CUTTER FOR COPPER & ALUMINUM

PART #	DESCRIPTION
20301250	1/4" – 1-3/8"
20301255	2 pk cutter wheel replacement



ROTRAC TUBE CUTTERS

PART #	DESCRIPTION
20301251	1/8" – 1-1/8"
20301252	2 pk cutter wheel replacement
20301253	1/4" - 1-5/8"



RATCHET TELESCOPIC CUTTER

PART #	DESCRIPTION
20301295	1/8" – 2-5/8"
20301255	2 pk cutter wheel replacement



DEBURRING TOOL

PART #	DESCRIPTION
20301245	Deburring tool



ROCUT 32TC PEX CUTTER

PART #	DESCRIPTION
20301300	Pex cutter
20301297	Replacement blade



PLASTIC PIPE SHEARS – ROCUT PROFESSIONAL

PART #	DESCRIPTION
20301298	Pipe shears, max OD 1-5/8"
20301299	Replacement blade
20301301	Pipe shears, max OD 2"
20301302	Replacement blade
20301303	Pipe shears, max OD 3"
20301304	Replacement blade



20301298



20301301



20301303



TOTAL MAINTENANCE SOLUTIONS

HOUSTON
800/392-5066

ORLANDO
800/327-3022

GREENVILLE
800/476-2212

LOOK FOR US ON THE WEB AT: www.TMSSouth.com

TOOLS, FASTENERS & SEWER EQUIPMENT

SOLDERING AND BRAZING TORCHES FROM

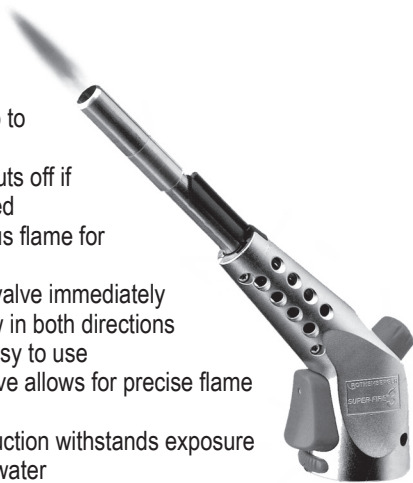


SUPER FIRE 3

Heavy-duty, ergonomic, brazing torch
Designed to provide convenience and safety to the user. The gas adjustment offers precise flame adjustment and the swirl-flame burner tip "wraps" around the fitting for quick and even heating with MAPP® propane. Built in regulator provides a consistent flame in all positions.

Torch handle with swirl-flame burner
 PART # 20301292

- Reliable lighting up to 30,000 ignitions
- Lights instantly, shuts off if dropped or released
- Provides continuous flame for hands-free use
- Non-return safety valve immediately blocks the gas flow in both directions
- Lightweight and easy to use
- Fine regulating valve allows for precise flame adjustment
- Heavy duty construction withstands exposure to dust, sand and water



SWEATBOX™ II

A handy kit that includes all the tools needed to sweat copper.

- SUPER FIRE 3 Heavy duty torch
- 35 PRO Tube cutter
- MINIMAX Tube cutter
- Carry case

PART # 20301296



ROFIRE SWIVEL TORCH

Head swivels 360° to make reaching the soldering area easier. Reliable Piezo ignition switch with cyclone burner.

PART # 20301306



FREEZE-PAK

Instant pipe freezing kit
The FREEZE-PAK is the ideal way to make quick repairs without draining or interruption of water supply. Quick Freeze spray produces a temporary ice plug in plumbing and heating systems that will last up to 30 minutes.



PART #	DESCRIPTION
20301294	Kit contains 1 can Quick Freeze Spray, 2 foam pipe jackets and 4 plastic ties.

TORCH REFLECTOR

Protects surrounding materials or walls when soldering pipes.

PART # 20301293



HOUSTON
 800/392-5066

ORLANDO
 800/327-3022

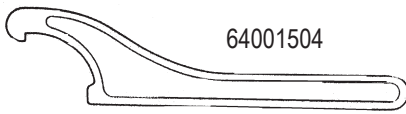
GREENVILLE
 800/476-2212

LOOK FOR US ON THE WEB AT: www.TMSSouth.com

TOOLS, FASTENERS & SEWER EQUIPMENT

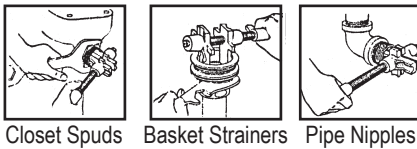
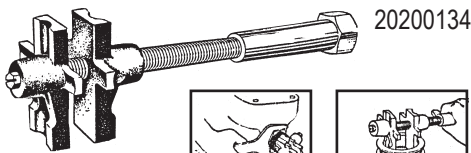
SPANNER WRENCHES

PART #	DESCRIPTION
64001504	Schofield spanner wrench
20200139	Bubbler spanner wrench

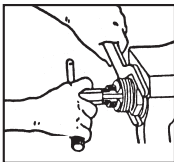
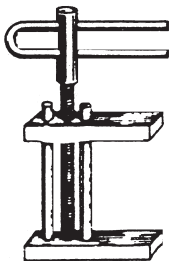


SPUD WRENCHES

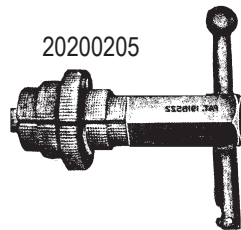
PART #	DESCRIPTION
20200134	Inside Expansion Wrench. For spuds, basket strainers, pipe nipples. For inside 1/2", 3/4", 1" and larger.
20200204	Spud Wrench (inside), 1" - 4" capacity. Can be used on sink strainers, P.O. Plugs and waste and overflows.
20200205	Spud chuck and nipple extractor
20200148	Adjustable spud wrench



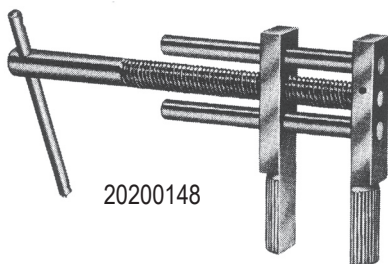
Closet Spuds Basket Strainers Pipe Nipples



20200204



20200205



20200148

STRAINER & COMBINATION WRENCHES

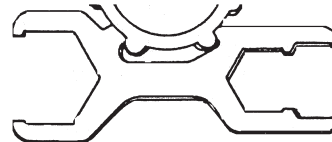
PART #	DESCRIPTION
20200167	3-IN-1 Combination Wrench spuds, strainers, slip joint nuts
20200206	Strainer locknut wrench with hinged jaw
20200207	All-purpose wrench, 1"-3" capacity for strainer locknuts and slip joint nuts.
20200208	4-IN-1 Combination Wrench for spuds, strainers and slip joint nuts.
20200209	Strainer Wrench, holds basket strainer body in position while installation is made.
20401014	Strainer Wrench for trip lever or twist handle strainers.
64001505	Schofield Strainer Wrench
20200210	Basket strainer wrench fits 3-3/8" strainer locknut



20200167



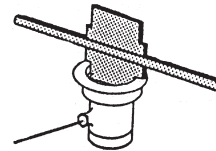
20200206



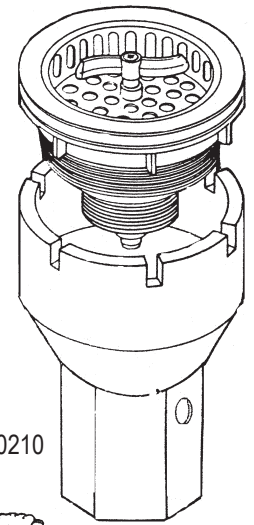
20200208



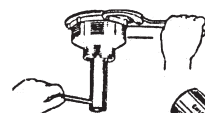
20200207



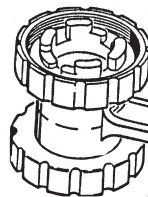
20200210



20401014



20200209



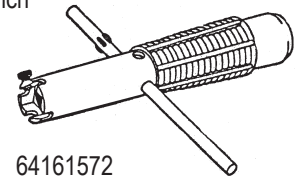
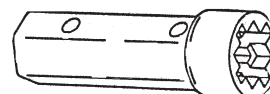
64001505

TOILET SEAT WRENCHES

PART #	DESCRIPTION
20401017	14-IN-1 Toilet Seat Hinge Nut Wrench
64161572	Seat Hinge Nut Wrench



20401017



64161572



TOTAL MAINTENANCE SOLUTIONS

HOUSTON
800/392-5066

ORLANDO
800/327-3022

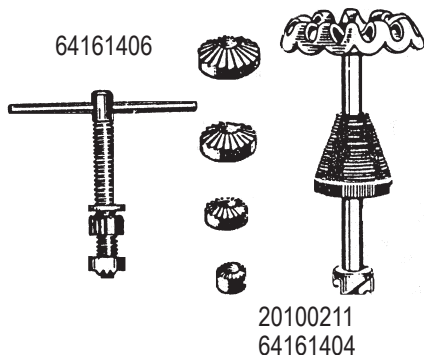
GREENVILLE
800/476-2212

LOOK FOR US ON THE WEB AT: www.TMSSouth.com

TOOLS, FASTENERS & SEWER EQUIPMENT

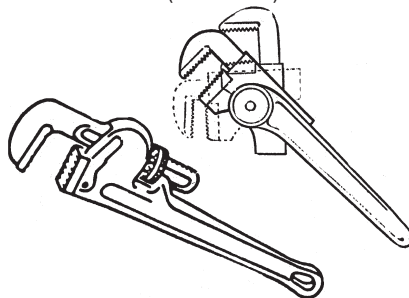
FAUCET SEAT DRESSERS

PART #	DESCRIPTION
20200211	Faucet seat dresser, 3 cutters: 1/2", 11/16", 3/4" Reversible double cone guide.
64161404	Faucet seat dresser, economy grade. 4 cutters 1/2", 5/8", 3/4", 7/8"
64161406	Faucet repair tool with 1/2" & 5/8" cutters. 4 washers and 1 plated screw.



PIPE WRENCHES

PART #	DESCRIPTION
64342130	10" Heavy duty pipe wrench. Capacity 1/8" to 1-1/2"
64342140	12" Heavy duty pipe wrench. Capacity 1/8" to 2"
20200173	14" Heavy duty pipe wrench. Capacity 1/4" to 2"
20200174	12" Self adjusting pipe wrench
20200175	14" Self adjusting pipe wrench
64000120	Ridgid Rapidgrip (not shown)



GETTA-GRIP™ LOCKING PLIERS

All pliers are made of chrome vanadium steel with comfortable TPR Getta-Grip™ handles for grip and comfort and have an adjustable locking action.

PART #	DESCRIPTION
64851154	6" Long Nose Pliers
64851151	7" Lock Grip Pliers
64851150	5" Lock Grip Pliers



FAUCET REPAIR KIT

10-24 Tap
PART #
20200212



ANGLE NOSE PLIERS

PART #	DESCRIPTION
20200216	8" Slip joint pliers
20300372	10" Angle nose pliers with plastic grip



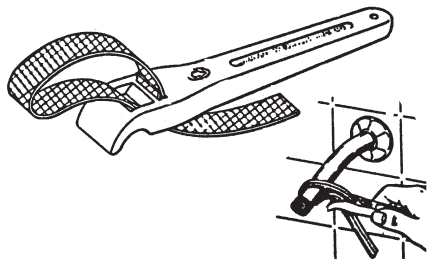
PIPE WRENCH PLIERS

PART #	DESCRIPTION
20200223	4" pliers w/ plastic grip
20200176	10" Heavy duty pipe pliers w/ plastic grip
20200224	13" Heavy duty pipe pliers w/ plastic grip
20200178	10" Heavy duty smooth jaw pliers w/ plastic grip



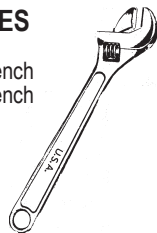
STRAP WRENCHES

PART #	DESCRIPTION
20200213	Strap wrench, 7" handle, 2" IPS capacity
20200214	Strap wrench, 11-1/2" handle, 3" IPS capacity
20200215	Rubber strap wrench, small
64001450	Rubber strap wrench, large



ADJUSTABLE WRENCHES

PART #	DESCRIPTION
20200218	4" Adjustable wrench
20200219	6" Adjustable wrench
20200220	8" Adjustable wrench
20200221	10" Adjustable wrench
20200222	12" Adjustable wrench



8" STUBBY ADJUSTABLE WRENCH

- Chrome vanadium steel
- Precision SAE & metric scale
- Full size 8" head

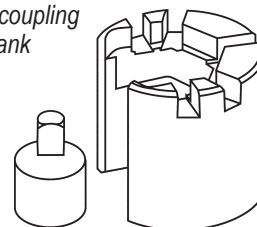
PART # 20200156



BASIN BUDDY

Use on basin metal locknuts, basin PVC locknuts, basin coupling nuts and toilet tank coupling nuts

PART #
20200154



**TOTAL
MAINTENANCE
SOLUTIONS**

HOUSTON
800/392-5066

ORLANDO
800/327-3022

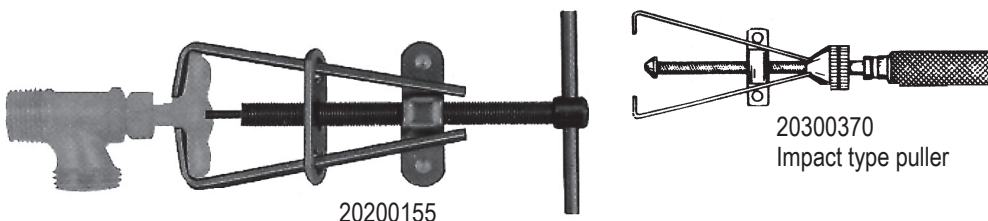
GREENVILLE
800/476-2212

LOOK FOR US ON THE WEB AT: www.TMSSouth.com

TOOLS, FASTENERS & SEWER EQUIPMENT

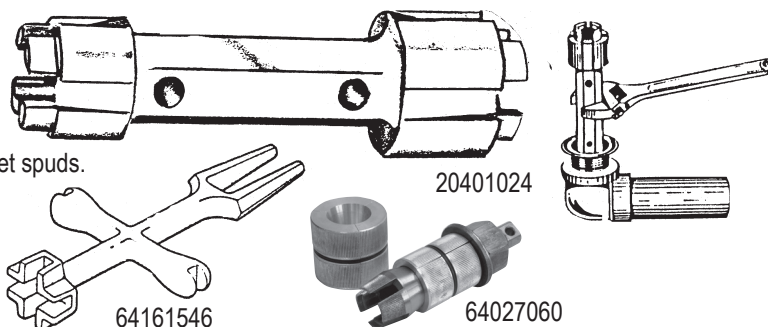
HANDLE PULLERS

PART #	DESCRIPTION
20200155	Faucet handle puller
20300370	Handle hammer
20200190	"Big Yank" Puller
64004668	"Big Yank Sr." Puller



P.O. PLUG & DRAIN WRENCHES

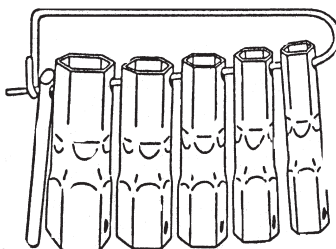
PART #	DESCRIPTION
20200191	P.O. Plug wrench, holds pop-up plugs and basket strainers in position.
20401024	Dumbbell tub drain & closet spud wrench. Fits 95% of all tub drains. Fits 1-1/2" & 2" closet spuds.
64001508	Strainer wrench. For removal of bath waste & P.O. plugs.
64027060	Inside out wrench for tub drains



SOCKET WRENCHES

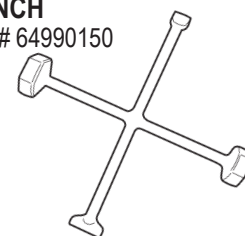
PART #	DESCRIPTION
20200192	21/32" x 27/32" socket wrench
20200193*	29/32" x 31/32" socket wrench
20200194	1-1/32" x 1-3/32" socket wrench
20200195	1-5/32" x 1-9/32" socket wrench
20200196	1-11/32" x 1-7/16" socket wrench
20201920	Socket set, includes 21/32" thru 1-7/16"

* Fits Kohler Trend, Union Brass & Gerber



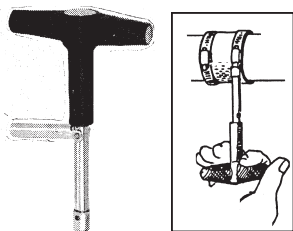
ZURN DRUM TRAP WRENCH

PART # 64990150



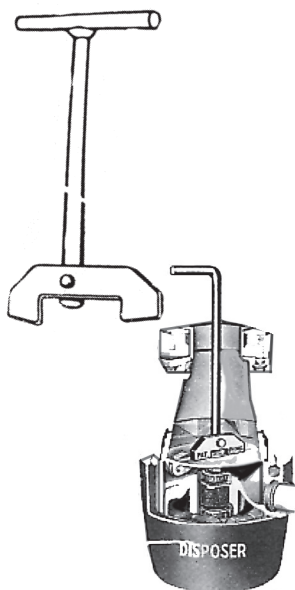
NO HUB TORQUE (RATCHETING) WRENCH

PART # 40800351



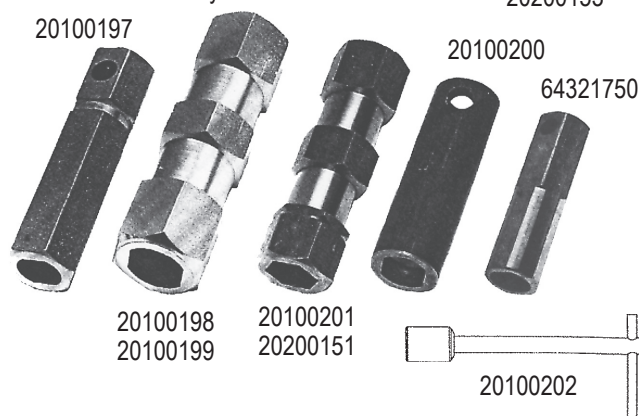
DISPOSAL WRENCH

Free jammed disposal blades without engaging hands.
PART # 64161524



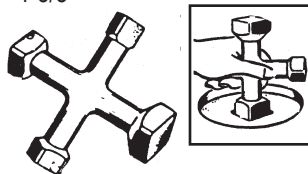
SPECIAL APPLICATION SOCKET WRENCHES

PART #	DESCRIPTION
20200197	American Standard colony tub stem wrench
20200198	Combination wrench for Savoy
64321710	Dual wrench for Sayco tub stems
20200200	Indiana Brass tub stem wrench
20200201	Price Pfister tub stem wrench
20200151	Kohler tub stem wrench
20200202	Gerber bonnet wrench
64321750	Harcraft tub stem wrench
20200153	Delany main seat wrench



DRUM TRAP PLUG WRENCH

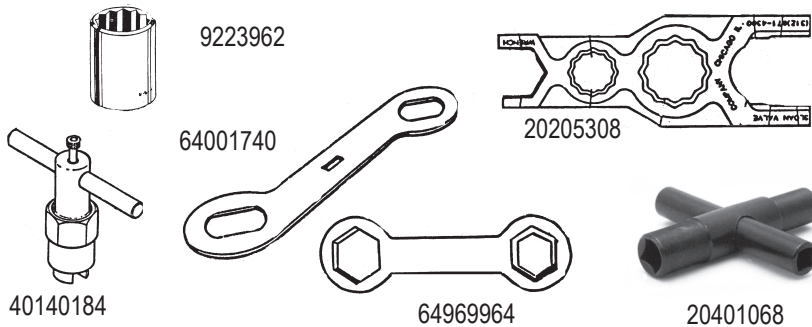
PART # 20200203
Four sizes: 3/4", 1", 1-1/8", 1-3/8"



TOOLS, FASTENERS & SEWER EQUIPMENT

SPECIAL APPLICATION WRENCHES

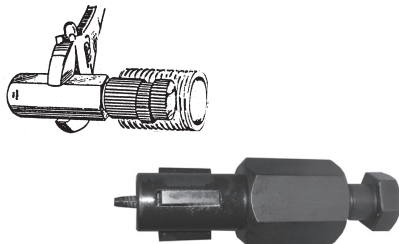
PART #	DESCRIPTION
40140184	Moен cartridge removal tool
10100345	Same as #40140184, non-OEM
20200225	Crane Dial-ese wrench
64969964	Sloan flush valve wrench
20205308	Sloan "SuperWrench"
20200153	Delany main seat wrench
64326167	4-n-1 Compression Stop Wrench
20200171	Sloan Tailpiece (spud) wrench
20200004	Zurn Hydrant Wrench Sizes 3/8", 9/32", 5/16" and 1/4"



MORE FLUSH VALVE TOOLS ON PAGE 11-3

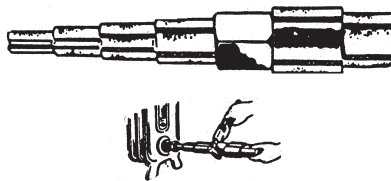
INTERNAL PIPE WRENCHES

PART #	DESCRIPTION
20200227	3/8" Internal pipe wrench
20400127	1/2" Internal pipe wrench
20400128	3/4" Internal pipe wrench
20200228	Internal pipe wrench kit



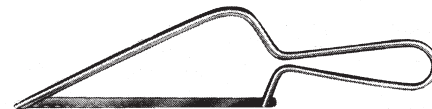
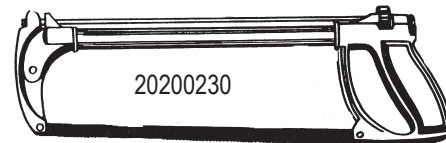
RADIATOR NIPPLE WRENCH

Radiator Nipple extractor wrench. Capacity 1/2", 3/4", 1-1/4", 1-1/2" & 2" nipples.
PART # 20200229



SAWS AND BLADES

PART #	DESCRIPTION
20200230	Hacksaw frame, uses 12" blades
20200169	Teeny Weeny Hacksaw
20200168	Economy Hacksaw



20200169

XTRACTOR TOOLS

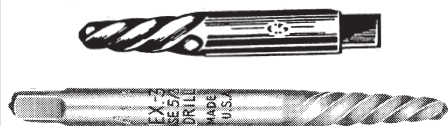
PART #	DESCRIPTION
20300349	1/4" - 1/2" 5 piece set
20300350	7/16" - 5/8" 5 piece set
20300351	1/4" - 5/8" 10 piece set



NIPPLE & SCREW EXTRACTORS

Spiral fluted type, left hand spiral works itself into drilled hole and removes broken piece without damage to threads.

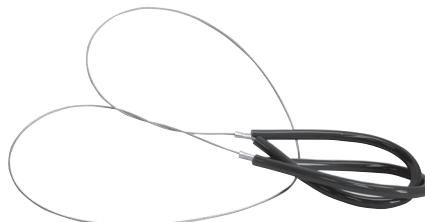
PART #	DRILL REMOVES	
	SIZE	BOLTS & SCREWS
64081002	5/64"	3/32 to 5/32
64081004	7/64"	5/32 to 7/32
64081006	5/32"	7/32 to 9/32
64081008	1/4"	9/32 to 3/8 & 1/8" pipe
64081010	19/64"	3/8 to 5/8 & 1/4" pipe
64081012	13/32"	5/8 to 7/8 & 3/8" pipe
64161752	17/32"	7/8 to 1-1/8 & 1/2" pipe
64161754	13/16"	1-1/8 to 1-3/8 & 3/4" pipe
64161756	1-1/16"	1-3/8 to 2 & 1" pipe



CABLE SAW FOR PVC PIPE

Cuts PVC pipe in tight spots with little clearance, faster than a hacksaw in close quarters.

PART # 64001040



SAW BLADES

20200179	Blade for Teeny Weeny Hacksaw
20200231	12" high speed blade 18 teeth
20200232	12" high speed blade 24 teeth
64331156	12" high speed blade 32 teeth



PVC PIPE SAWS

PART #	DESCRIPTION
64721178	PVC Pipe saw with 18" blade
20301254	PVC Pipe saw 19" overall

64721178



20301254



TOTAL MAINTENANCE SOLUTIONS

HOUSTON
800/392-5066

ORLANDO
800/327-3022

GREENVILLE
800/476-2212

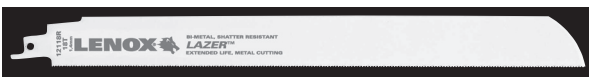
LOOK FOR US ON THE WEB AT: www.TMSSouth.com

TOOLS, FASTENERS & SEWER EQUIPMENT

TOOLS AND BLADES FROM LENOX TOOLS

LAZER™ BLADES

Best for Heavy Metal Cutting



PART #	TPI*	LENGTH	WIDTH	THICKNESS	APPLICATIONS
20301254	14	12"	1"	.042	Steel rod, black pipe
20301256	18	12"	1"	.042	Copper pipe, black pipe

BI-METAL RECIPROCATING BLADES

Cuts stronger, faster and lasts longer. Optimized for every cutting application.



PART #	TPI*	LENGTH	WIDTH	THICKNESS	APPLICATIONS
20301257	6	12"	3/4"	.050	Fast cutting, roughing in work & nail embedded wood
20301258	10	6"	3/4"	.050	Nail embedded wood, composition materials & plastics. Pipe, carbon steel, stainless steel, 1/8" – 1/4" thick, demolition work, fire and rescue
20301259	10	8"	3/4"	.050	
20301260	14	4"	3/4"	.035	Pipe, structural steel, stainless steel, 3/32" - 1/4", non-ferrous metal
20301261	14	6"	3/4"	.035	
20301262	18	4"	3/4"	.035	Structural steel, pipe, conduit, stainless steel, 1/16" – 3/16" thick, non-ferrous metal, 1/16" – 5/16"
20301263	18	6"	3/4"	.035	
20301264	18	8"	3/4"	.035	
20301265	24	4"	3/4"	.035	All metals less than 1/8" thick, tubing, conduit and trim
20301266	24	6"	3/4"	.035	

BI-METAL HOLE SAWS

Engineered for Optimum Performance in Wood or Metal



PART #	DIA.	PIPE TAP	PIPE ENTRANCE
20301269	3/4"	1/2"	3/8"
20301270	7/8"	3/4"	1/2"
20301271	1-1/8"	1"	3/4"
20301272	1-1/2"	1-1/4"	
20301273	1-3/4"	1-1/2"	1-1/4"
20311274	2-1/8"		
20301275	2-1/4"	2"	
20301276	2-9/16"		

HOLE SAW ARBORS AND ACCESSORIES



PART #	FITS HOLE SAWS	SHANK TYPE	SHANK SIZE
20301277	20L-96L	Hex	1/2"+
20301278	9L-19L	3-Sided	1/4"+

PART #	DESCRIPTION
20301279	Pilot drill, chuck size 1/4, for 20301277 and 20301278
20301280	Arbor adaptor for 20301278

MASTER-GRIT™ RECIPROCATING BLADES

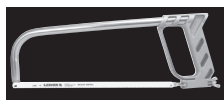
Best for cutting abrasives



PART #	TPI*	WIDTH	THICKNESS	APPLICATIONS
20301267	6	3/4"	.032	Cast iron, fiberglass, ceramic wall tile, clay, pipe, stone, brick, plaster and marble.
20301268	8	3/4"	.040	

HIGH TENSION HACKSAW FRAME

PART # 20301283



PVC/ABS PLASTIC PIPE HAND SAW

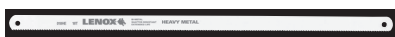
PART #	DESCRIPTION
20301313	18" blade & handle
20301314	12" replacement blade
20301315	18" replacement blade

VARI-BIT STEP DRILL BIT

Chuck size 3/8"
PART # 20301282



BI-METAL HACKSAW BLADES

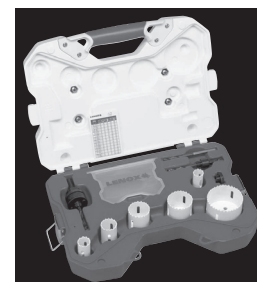


Blade specifications

PART #	TPI*	LENGTH x WIDTH (inches)
20301284	18	10 x 1/2
20301285	24	10 x 1/2
20301286	32	10 x 1/2
20301287	18	12 x 1/2
20301288	24	12 x 1/2
20301289	32	12 x 1/2

10 PIECE PLUMBER'S KIT

Bi Metal Hole Saw Kit
3/4", 7/8", 1-1/8", 1-1/2", 1-3/4", 2-1/4", 2 arbor, one pilot drill and one arbor adaptor.
PART # 20301281



*TPI = Teeth per inch



TOTAL MAINTENANCE SOLUTIONS

HOUSTON
800/392-5066

ORLANDO
800/327-3022

GREENVILLE
800/476-2212

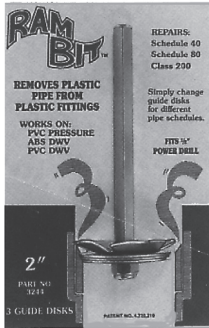
LOOK FOR US ON THE WEB AT: www.TMSSouth.com

TOOLS, FASTENERS & SEWER EQUIPMENT

PLASTIC FITTING SAVER

Works on PVC & ABS pipe & fittings both pressure & DWV. Bit leaves fittings clean and ready for solvent welding. All bits work on schedule 40 and 80.

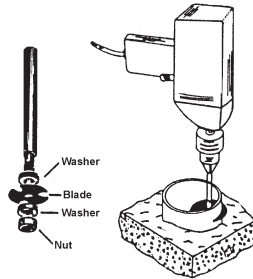
PART #	SIZE
64001214	1/2"
64001216	3/4"
64001218	1"
64001220	1-1/4"
64001222	1-1/2"
64001224	2"



INSIDE PIPE CUTTERS

Pipe cutter for plastic pipe. Cutter has 3" shaft fits 1/4" drill or larger. Comes with 2 blades.

PART #	DESCRIPTION
64691436	Inside pipe cutter with extra blade
64691438	Replacement blades (2)



FOLDING POCKET UTILITY KNIFE

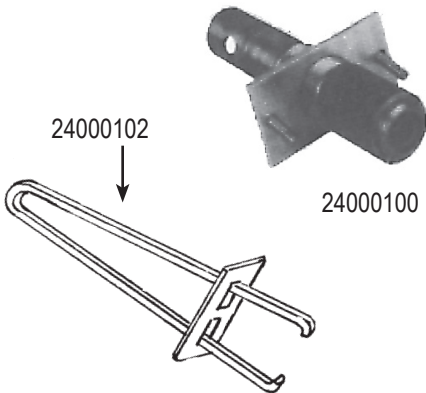
Knives have a quick blade change feature that requires no tools and accepts standard utility knife blades. Also includes a folding lock for safety and a belt clip. Includes a 5 blade dispenser.

Part # 20300361



POWERS SPECIAL TOOLS

PART #	DESCRIPTION
24000100	Seat wrench for removal of piston cylinder from 427 Type H Hydroguard
24000102	Cartridge puller for removing balancing cartridge



LOOKING FOR A SPECIAL TOOL? CALL US, WE CAN HELP YOU FIND IT!

STUBBY GEARLESS RATCHET DRIVER

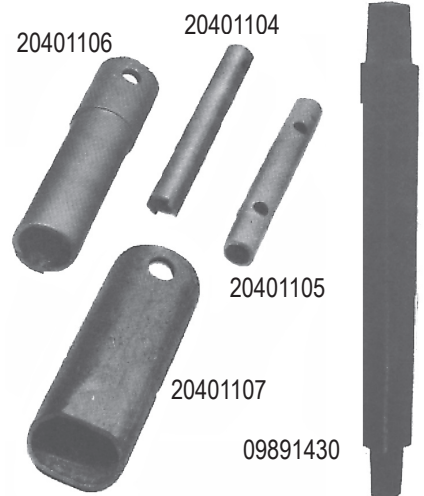
- Gearless design for smooth operation
- Stubby design for tight, confined areas

Part # 64851030



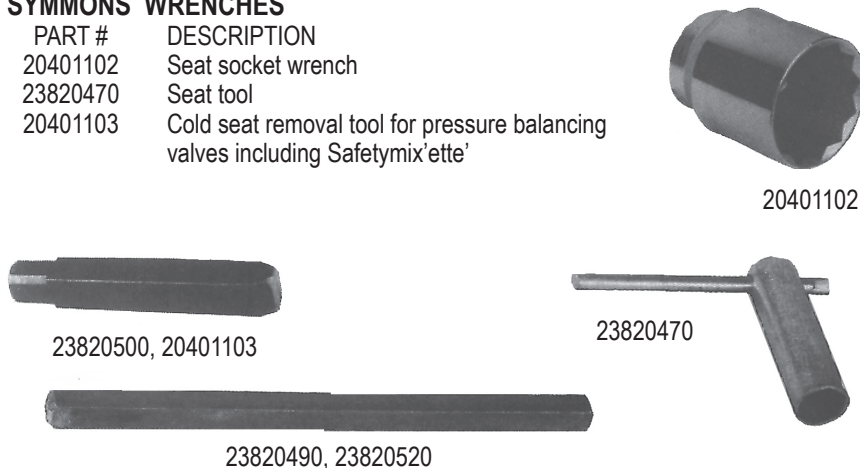
KOHLER WRENCHES

PART #	DESCRIPTION
20401106	Niedecken seat wrench - exposed valves
20401104	Niedecken seat wrench
20401105	Niedecken bushing - all valves
09890070	Bonnet wrench (not shown)
20401107	Bonnet wrench - Triton & Constellation bath fixtures
09891430	Seat wrench - Trend



SYMMONS WRENCHES

PART #	DESCRIPTION
20401102	Seat socket wrench
23820470	Seat tool
20401103	Cold seat removal tool for pressure balancing valves including Safetymix'ette'



HOUSTON
800/392-5066

ORLANDO
800/327-3022

GREENVILLE
800/476-2212

LOOK FOR US ON THE WEB AT: www.TMSSouth.com

TOOLS, FASTENERS & SEWER EQUIPMENT

5-BIT HEX SOCKET PIN-HEAD KIT

Includes bits in the following sizes: 3/32", 1/8", 5/32", 3/16", and 7/32"
PART # 64801050

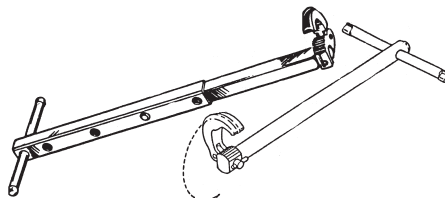


DELTA TOOLS

PART #	DESCRIPTION
20401100	Bonnet removal tool
20401101	Pick tool
05221055	Hex key and cam remover
05221722	Nut and wrench

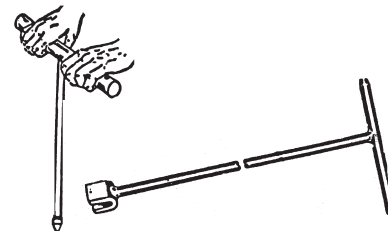
BASIN WRENCHES

PART #	DESCRIPTION
20200149	Basin wrench, 11" handle, 1/2" to 1-1/8" capacity.
20200172	Basin wrench, 15" handle, 1/2" to 1-1/8" capacity.
20200003	Telescoping basin wrench, 10" to 17" handle with 3/8" to 1-1/4" capacity.



METER KEYS/PROBES

PART #	DESCRIPTION
20401001	Water meter key 3/4" x 36"
20401069	Utility probe 48"
20401019	Probe rod 3/8" x 5ft. S/S tip
64041012	Tip for probe rod



ZURN WONDER WRENCH

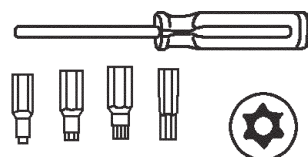
PART # 20200150



TORX DRIVER KIT

Kit contains 7 bits. Bits included are T8, T9, T10, T15, T20, T25, & T27.

PART # 64990078



FLASHLIGHTS FROM TERRALUX

WORK LIGHTS

PART #	DESCRIPTION
20401030	80 LED Cordless/Rechargeable 115V AC & 12V
20401031	60 LED Cordless/Rechargeable 115V AC & 12V
20401032	30 LED Cordless/Rechargeable 115V AC & 12V

WORK LIGHT ACCESSORIES

20401033	Work light magnetic clamp
20401034	Work light Flexible magnetic clamp

20401030



20401031, 20401032



20401037



20401036



20401033



20401034

TASK LIGHTS

PART #	DESCRIPTION
20401035	ClipLight clips to hat, belt
20401036	LightStar1 mini flashlight w/ headband
20401037	LightStar3 flashlight aircraft aluminum
20401038	FlareStar 30 LED Emergency flasher RED
20401039	FlareStar 30 LED Emergency flasher AMBER

LED UPGRADE KITS

PART #	DESCRIPTION
20401040	MiniStar5 for 4, 5 or 6 C&D cell Maglite®*
20401041	Upgrade for the AA and AAA MiniMag®*
20401042	Universal upgrade kit for 2-6 cell Maglites®*
20401043	MiniStar2 for MiniMag®*
20401044	Tail cap switch for MiniMag®* + Lens

20401043



20401042

20401040



20401041



20401038
20401039



20401035



20401044

* ©2007 TerraLUX, Inc. All rights reserved. Patent Pending. TerraLUX is not affiliated with Mag Instrument, Inc., which owns the Maglite® and Mini Maglite® trademarks and the trademark shape, style and overall appearance of the Mini Maglite® flashlight. The Mag Instrument trademark is here used only to identify the flashlights with which TerraLUX intends its upgrades to work. The TerraLUX Light Engine is not made, endorsed or sponsored by Mag Instruments, Inc.



**TOTAL
MAINTENANCE
SOLUTIONS**

HOUSTON
800/392-5066

ORLANDO
800/327-3022

GREENVILLE
800/476-2212

LOOK FOR US ON THE WEB AT: www.TMSSouth.com

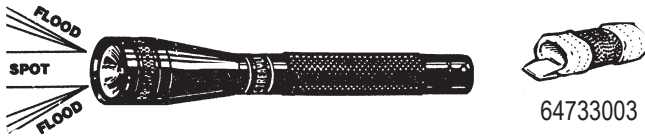
TOOLS, FASTENERS & SEWER EQUIPMENT

FLASHLIGHTS & LANTERNS

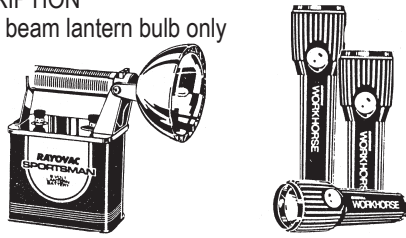
PART #	DESCRIPTION
64733000	Pocket-Mate miniature (4.8") flashlight with 2 AAA batteries
64733001	Replacement bulbs (2) for Pocket Mate



PART #	DESCRIPTION
64733002	Streamlight Jr. Flashlight is 5.6" long and weighs 3 ounces with 2AA batteries.
64733003	Nylon holster for Streamlight Jr.
64733004	Replacement bulbs (2) for Streamlight Jr.



PART #	DESCRIPTION
64731005	2 cell D size Workhorse flashlight with batteries.
64731010	Sealed beam lantern bulb only



LED FLASHLIGHTS

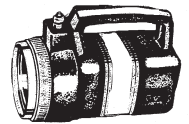
Long life LED's for wide, even illumination. Corrosion proof aluminum construction. AAA batteries required.

PART #	DESCRIPTION
20300355	5 LED Flashlight
20300357	3 LED Flashlight – Positive action push on/off button



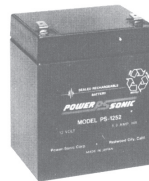
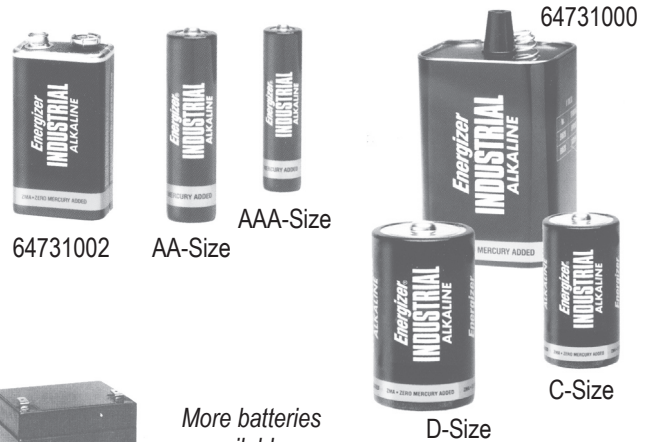
GENERAL PURPOSE LANTERN

PART #	DESCRIPTION
64731004	Gen. Purpose lantern without battery



BATTERIES & BULBS

PART #	DESCRIPTION
30100058	Alkaline D size battery 1.5 volt (each)
30100057	Alkaline C size battery 1.5 volt (each)
30100044	4 Pk Alkaline AA size battery 1.5 volt
30100060	4 Pk Alkaline AAA size battery 1.5 volt
30100059	Alkaline 9 volt size battery (each)
64731000	6 volt spring terminals battery
64731008	6 volt screw terminals battery



More batteries available...
Call us for all your DC power needs!



HOLD ZIT STRAPS

Rubber straps are perfect for holding tools, equipment and other items in place. Throw away your rope and string and replace them with Hold Zit straps.

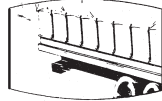
PART #	LENGTH
20301434	9"
20301435	15"
44729024	21"
44729026	31"



LUGGAGE RACKS



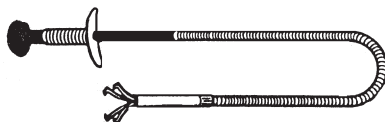
TRUNK LIDS



TARPAULINS

MECHANICAL FINGERS

PART #	DESCRIPTION
20301436	24" Mechanical fingers
64001750	36" Mechanical fingers



TOTAL MAINTENANCE SOLUTIONS

HOUSTON
800/392-5066

ORLANDO
800/327-3022

GREENVILLE
800/476-2212

LOOK FOR US ON THE WEB AT: www.TMSSouth.com

TOOLS, FASTENERS & SEWER EQUIPMENT

SCREWDRIVERS

PHILLIPS SCREWDRIVERS



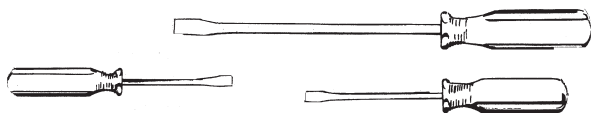
PART #	DESCRIPTION
20301400	6" Phillips head for screw sizes 2 to 5
20301401	10" Phillips head for screw sizes 10 to 16



SLOTTED SCREWDRIVERS

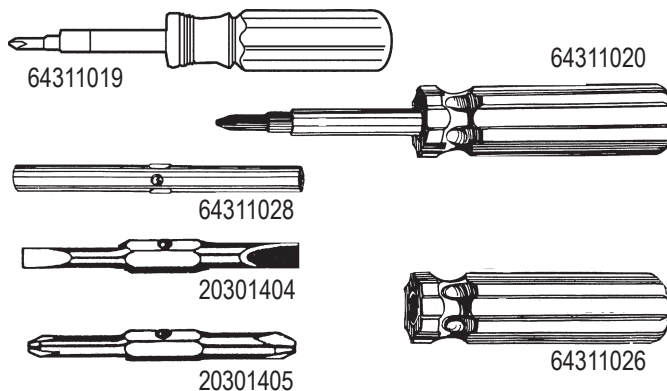


PART #	DESCRIPTION
64361054	6-1/4" Slotted head with 5/16" blade
64361056	6" Slotted head with 3/16" blade
64361058	7-3/4" Slotted head with 3/16" blade
20301402	8-1/4" Slotted head with 1/4" blade
20301403	10-1/4" Slotted head with 1/4" blade
64361064	11-3/4" Slotted head with 3/16" blade
64361066	12-1/2" Slotted head with 5/16" blade



SCREWDRIVER BITS

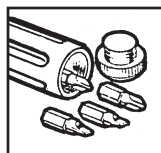
PART #	DESCRIPTION
20401005	4 in 1 Screwdriver w/2 slotted & 2 phillips bits
20301404	Slotted bit for 4 in 1
20301405	Phillips bit for 4 in 1
64311026	Handle for 4 in 1
64311028	Socket for 4 in 1
64311030	2 in 1 screwdriver with 1 slotted & 1 phillips bit
64311032	Bit for 2 in 1
20401015	6 in 1 screwdriver



MAGNETIC SCREWDRIVER SET

Kit contains magnetic driver and two phillips (#1, #2) and two slotted (8/16", 9/32") bits. Bits are stored in handle.

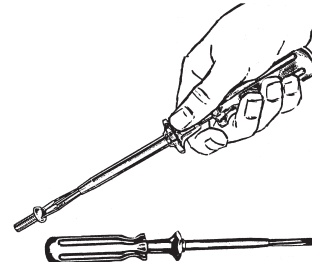
PART #	DESCRIPTION
64990035	Slotted & phillips set
64990411	#1 phillips replacement bit
64990412	#2 phillips replacement bit
64994316	3/16" slotted replacement bit
64994932	9/32" slotted replacement bit



SLOTTED SCREW HOLDING DRIVERS

Split-blade screw holding driver wedges into screw slot. Positive gripping power holds, starts & drives slotted screws including self-tapping types.

PART #	BLADE SIZE DIA. X LENGTH
64997021	1/8" x 3"
64997023	1/8" x 3"
64997028	1/8" x 8"
64997034	3/16" x 4"
64997036	3/16" x 6"
64997046	1/4" x 6"



Note: Precision blade for use with small precision screws

MEGAPRO® 15IN1 TAMPERPROOF

The 15in1 is a must for all commercial/industrial tradesmen. The 15in1 Tamperproof comes loaded with the most common security bits, including: Spanner, Hex pin and Star pin. Includes the following bits:

- 1/8 + 9/64
- 5/32 + 3/16
- 6 + 8
- 10 + 12
- 10 + 15
- 27 + 30
- 20 + 25



PART # 20401013

AUTOLOADER™ MULTI-BIT SCREWDRIVER

The world's only automatic loading multi-bit screwdriver. Exchanges screwdriver bits in less than 2 seconds flat. Pull back handle, index and select bit, push handle forward and your bit of choice is delivered. Pump action mechanism makes changing a breeze.

PART # 20401003



**TOTAL
MAINTENANCE
SOLUTIONS**

HOUSTON
800/392-5066

ORLANDO
800/327-3022

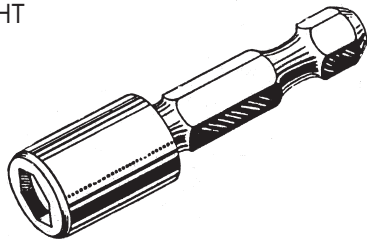
GREENVILLE
800/476-2212

LOOK FOR US ON THE WEB AT: www.TMSSouth.com

TOOLS, FASTENERS & SEWER EQUIPMENT

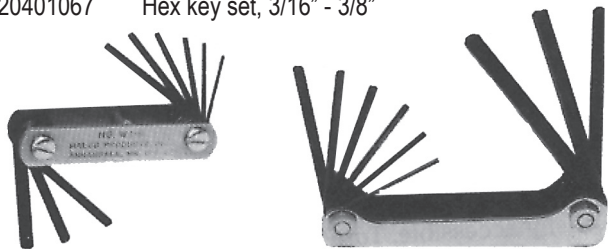
MAGNETIC DRILL CHUCKS - FOR HEX HEAD SCREWS

PART #	SIZE	LENGHT
20300000	1/4"	1-3/4"
20300002	1/4"	4"
64331072	5/16"	1-3/4"
20300003	3/8"	1-3/4"



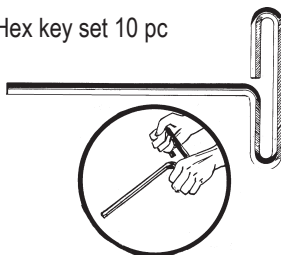
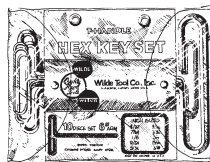
HEX KEYS - POCKET SETS

PART #	DESCRIPTION
20301406	Hex key set short .050, 1/16, 5/64, 3/32, 7/64, 1/8, 9/64, 5/32 & 3/16
64331465	Hex key set, 9 piece - 5/64-1/4
20401067	Hex key set, 3/16" - 3/8"



"T" HANDLE HEX KEY SET

PART #	DESCRIPTION
64331466	"T" handle (6") Hex key set 10 pc



TAMPER RESISTANT STAR KEY SETS

Tamper resistant Star Key Sets include the same features as above plus drilled tips that allow use on tamper resistant security screws.

PART #	DESCRIPTION
20401002	Tamper Resistant Star Key Set includes sizes T-6, T-7, T-8, T-9, T-10, T-15, T-20, T-25, T-27 and T-30



BALL TIP HEX KEY SETS

All keys are made of chrome vanadium steel and fold compact for easy storage. Ball tips allow use at up to 30° angle for use in obstructed areas. Holders are made of corrosion resistant aluminum in a slim, compact design.

Inch sizes include: 1/16, 5/64, 3/32, 7/64, 1/8, 9/64, 5/32, 3/16, 7/32 & 1/4"

Metric sizes include: 1.5, 2, 2.5, 3, 4, 5, 6 hex keys and #2 Phillips & 1/4" slotted screwdrivers.

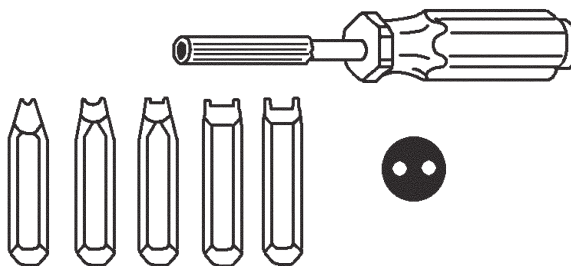
PART #	DESCRIPTION
20300366	Hex Key Set (Inch)
20401021	Hex Key Set (Metric)



SPANNER DRIVER SET

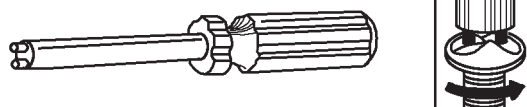
Kit contains 1 magnetic hand driver with 5 spanner bits in a vinyl pouch. Bit sizes are 6, 8, 10, 12, & 14.

PART # 20300365



ONE-WAY SCREW REMOVAL TOOLS

PART #	DESCRIPTION
50300225	Removal tool for screw size 4-6-8
50300226	Removal tool for screw size 10-12
50300227	Removal tool for screw size 14, 18, 1/4, 3/8
50300224	Removal tool set, 3 sizes: 6-8, 8-10, 12-14



HOUSTON
800/392-5066

ORLANDO
800/327-3022

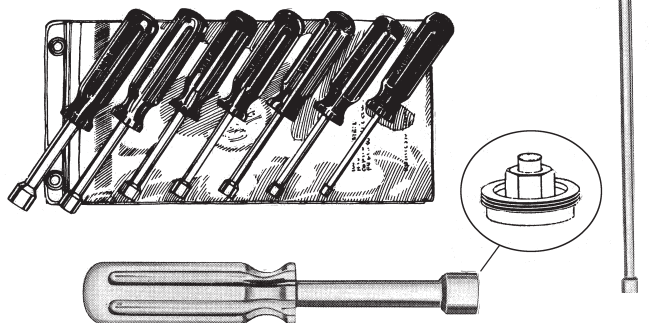
GREENVILLE
800/476-2212

LOOK FOR US ON THE WEB AT: www.TMSSouth.com

TOOLS, FASTENERS & SEWER EQUIPMENT

NUT DRIVERS

PART #	DESCRIPTION
64360088	Nut driver set. 7 pc 3/16" thru 1/2"
64331184	Extra long 1/4" nut driver
64990018	9/16" nut driver - fits American Standard N-3015 & N-3025 cap



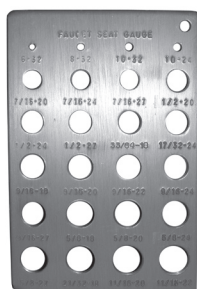
FAUCET SEAT WRENCHES

PART #	DESCRIPTION
64161452	Angle seat wrench, tapered on end (square).
20301410	Angle seat wrench tapered both ends, square & hex.
64161455	Angle seat wrench, six step, 3 hex & 3 square sizes.
20301415	Straight seat wrench, tapered hex & square ends.
20205166	Faucet seat wrench set with ratchet.
20301412	Straight tapered hex end wrench.
20301413	Straight tapered square end wrench.
64321444	Eljer square end wrench- 2 sizes.
20207407	3/8" x 7/16" hex ratchet box wrench.
20301414	Faucet seat wrench set. 4 pieces- 3 hex wrenches 1 tapered square wrench.
64721458	Seat wrench 1/4" hex.
64721460	Seat wrench 5/16" hex.
64721462	Seat wrench 3/8" hex.
20301415	"Shorty" seat wrench
64322300	Seat removal tool

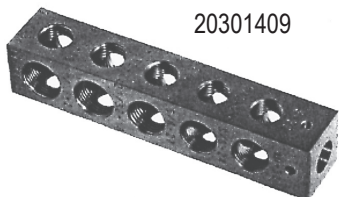
■ = Contents of PART # 64321438

FAUCET SEAT GAUGES/THREAD GAUGES

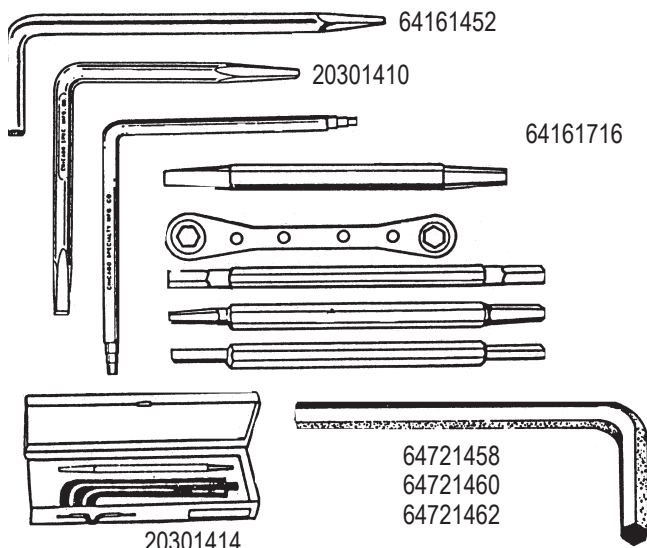
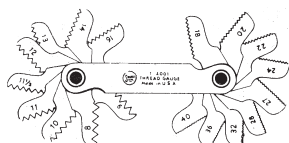
PART #	DESCRIPTION
20301408	Faucet seat gauge with bibb screw gauge. 20 thread sizes 7/16"-11/16", 4 bibb screw sizes
20301409	Thread gauge. 18 sizes
20401045	Flat seat gauge



20401045



20301409



64161452

20301410

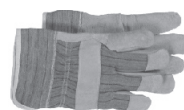
64161716

64721458
64721460
64721462

20301414

GLOVES

PART #	DESCRIPTION	PART #	DESCRIPTION
64501099	Leather palm	64501624	Leather elastic cuff
64501100	Leather palm	64501625	Driver's split-leather - L
64501104	Leather palm, cloth back - L	64501626	Driver's split-leather - XL
64501105	Leather palm, cloth back - XL	64501628	Cowhide, pile lining
64501201	Leather palm	64501803	HD Blue rubber - L
64501340	Knit, rubber coated - M	64501804	HD Blue rubber - XL
64501341	Knit, rubber coated - L	64501808	Nitrile coated
64501342	Knit, rubber coated - XL	64501831	Black coating, 12" cuff
64501395	Brown jersey knit	64501834	Black coating, 18" cuff
64501396	White cotton knit	64501853	Black PVC coating
64501601	Driver's leather - L		
64501602	Driver's leather - XL		



64501000



64501395



64501628



64501340



64501601



64501834



**TOTAL
MAINTENANCE
SOLUTIONS**

HOUSTON
800/392-5066

ORLANDO
800/327-3022

GREENVILLE
800/476-2212

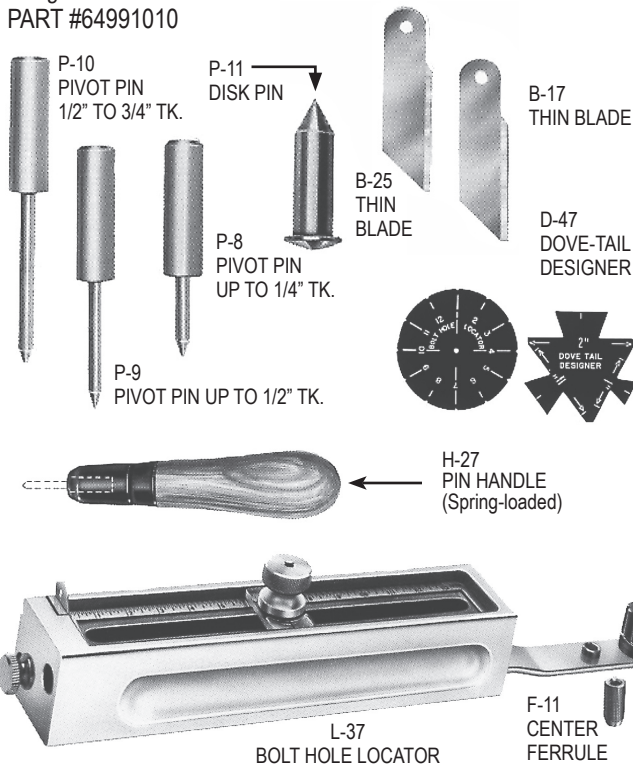
LOOK FOR US ON THE WEB AT: www.TMSSouth.com

TOOLS, FASTENERS & SEWER EQUIPMENT

GASKET CUTTER

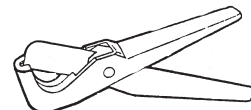
Allows cutting capacities from 1" to 13" round. Unit contains B-25 blade, K-7 kit of 6 parts (B-17, F-11, P-8, P-9, P-10, P-11), H-7 allen wrench, H-27 handle, L-37 bolt hole locator, D-47 dove-tail designer.

PART #64991010



TUBING CUTTER

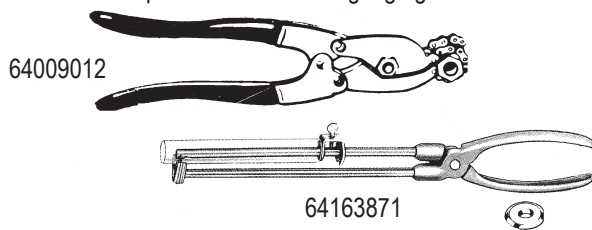
Cuts polyethylene, polybutylene, PVC, ABS and rubber hose up to 1-1/2" O.D. Cutter does not distort pipe when cutting.



PART #	DESCRIPTION
64001050	Tubing cutter
64001051	Replacement blades (2)
20300369	Ratchet, cuts up to 1"
64361600	Gen. Wire & Cable PVC pipe cutter

GAUGE GLASS CUTTERS

PART #	DESCRIPTION
64009012	For 1/4" thru 3/4" OD gauge glass laboratory glass & porcelain.
64163871	Gauge glass cutter with carbide wheel. Has sliding rule for exact cutting.
64163872	Replacement wheel for gauge glass cutter

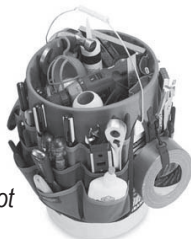


BUCKET BOSS

BUCKET BOSS 44

Made of rugged ripstop fabric. Has an interior loop to keep hammers in place and accessible. Other features include a flapped security pocket, handy tape dispenser loop, two interior pockets for screw bits and other small items. 30 outside pockets and 14 inside pockets! Bucket not included.

PART # 64401044



GATEMOUTH JR.

Ideal for cordless power tools and accessories. Superwide Gatemouth® design. Dimensions are 13" L x 9" W x 8" H.

PART # 64406007



POWER PADS® KNEE PADS

New and improved! These knee pads have an exclusive XL hard-shell cap with 60% more contact area than traditional pads. Features medical grade elastic.

PART # 64402012



PORTABLE POCKET™

Versatile design – carries fasteners or a tape measure. Can be used alone or with a tool belt. Holds nails, screws and other fasteners in its wide opening pouch. Has an elastic loop to hold pens, pencils or a screwdriver.

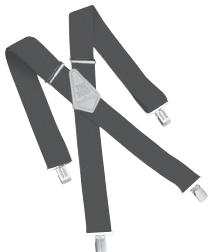
PART # 64404073



WEB SUSPENDERS

Industrial grade clip suspenders with high quality hardware and a genuine leather cross brace patch.

PART # 64401121



DOUBLE BARREL™ TOOL SHEATH

Made of abrasion resistant material. Stores flashlights, utility knives, small tools and more. Has an elastic channel to hold pens, pencils, etc. 2" stainless steel spring clip holds securely to belt.

PART # 64404041



**TOTAL
MAINTENANCE
SOLUTIONS**

HOUSTON
800/392-5066

ORLANDO
800/327-3022

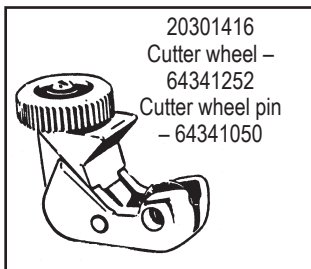
GREENVILLE
800/476-2212

LOOK FOR US ON THE WEB AT: www.TMSSouth.com

TOOLS, FASTENERS & SEWER EQUIPMENT

TUBING CUTTERS

PART #	DESCRIPTION
20301236	Economy Mini cutter. 1/8" OD to 5/8" OD
64341230	Mini cutter 1/8" OD to 5/8" OD
20200160	Quick release cutter 1/4" OD to 2-5/8" OD
64341234	Quick release cutter 1/8" OD to 1-5/16" OD
20401023	Quick release cutter 3/8" OD to 1-5/8" Od
64341240	Quick release cutter 3/8" OD to 3-1/2" OD
20301238	Tubing cutter 1/8" OD to 1-1/8" OD
64341238	Tubing cutter 3/16" OD to 1-1/4" OD
20205307	1/2" auto cut
20301239	Handle for 1/2"
20300371	3/4" auto cut
20301240	Handle for 3/4"
64361560	Cutter wheel only



CUTTER WHEELS

For Copper, Steel & Aluminum Tubing



PART #	REED CUTTER	RIGID CUTTER	CHICAGO SPECIALTY
64341250	TC1Q, TC1QP, T10	00, 0, 10, 15, 20	
64341251	TC2Q, TC2QP, T20		
64341253	TC3Q, TC3QP, TC4Q TC4QP, TC6Q, TC6QP	30, 40, 106, 107 133, 134, 136	3720
64341254	MC1		
64341252	TC11		
64341255	MC2	103, 104, 105 131, 132	
64341257	MC2	105, 131, 132, 205	
64341256			3716C, 3719, 3723
64341258			3722, 30-50013

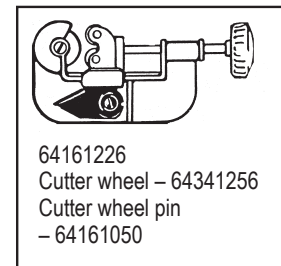
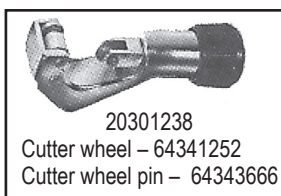
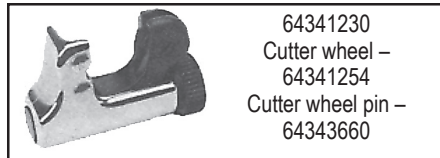
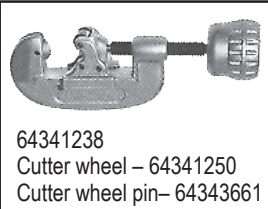
QUICK RELEASE

Tubing Cutter	Cutter Wheel	Wheel Pin
64341233	64341251	64343426
64341234	64341250	64343427
64341240	64341253	64343431

CUTTER WHEELS

For Plastic Pipe and Tubing

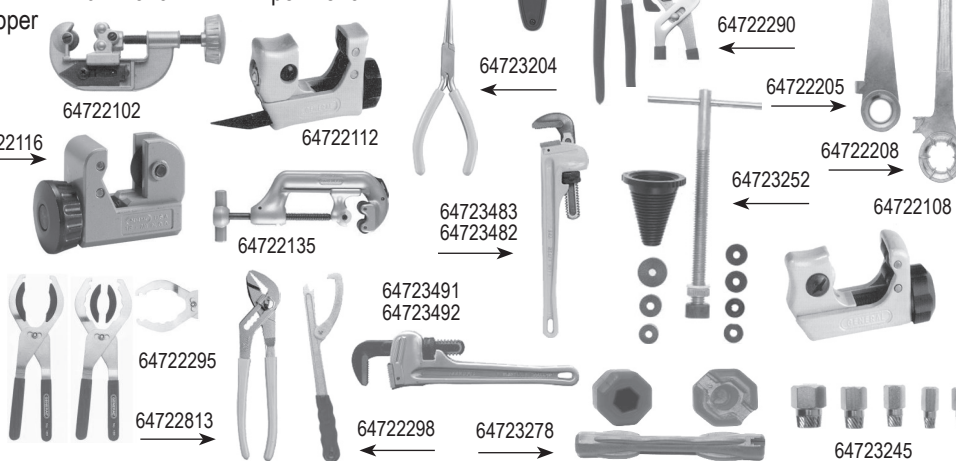
PART #	REED CUTTER	RIGID CUTTER
64341264	TC1QP, TC1Q TC2QP, TC2Q	15, 20
64341265	T10, T15, T20	
64341266	TC3QP, TC3Q TC4QP, TC4Q	30P, 40P, 106 133P, 134P, 136P
64341267	TC6QP, TC6Q	
64341268	TC8QP, TC6QA	136P, 136
64341269	TC6QP, TC8QP	136P, 136
64321270		105, 131P, 132P, 205P



RADIATOR SPECIALTY & GENERAL TOOLS

PART #	DESCRIPTION
64722102	Standard Cutter, 1/8" to 1-1/8"
64722108	Pro Mini-tube cutter, 1/8" to 7/8"
64722112	Pro Mini-tube cutter w/ reamer
64722116	Mini-tubing cutter, 1/8" to 7/8"
64722118	Mini-tubing cutter, 1/8" to 1-1/8"
64722135	Pipe tubing cutter, 2-5/8" copper
20300373	E-Z Ratchet tubing cutter
64722175	Tubing cutter wheel
64722178	Iron pipe cutter wheel
64722205	1/4" Tube bender
64722208	3/8" - 1/2" Tube bender
64722290	Soft jaw pliers
64722295	Undersink drain pliers
64722298	Strainer lock nut wrench
20300360	S.J. "Yellow handle" pliers
64723106	External snap ring pliers
64723108	Internal snap ring pliers
64723204	4-1/2" Needle nose pliers
64723245	5 piece nipple extractor kit
64723252	Pro faucet seat repair kit
64723278	Plumbr-Pal

PART #	DESCRIPTION
64723482	14" Aluminum pipe wrench
64723483	18" Aluminum pipe wrench
64723491	10" Pipe wrench, general
64723492	14" Pipe wrench



**TOTAL
MAINTENANCE
SOLUTIONS**

HOUSTON
800/392-5066

ORLANDO
800/327-3022

GREENVILLE
800/476-2212

LOOK FOR US ON THE WEB AT: www.TMSSouth.com

TOOLS, FASTENERS & SEWER EQUIPMENT

BENDING SPRINGS

PART #	DESCRIPTION
64161280	3/8" OD bending spring
64161282	1/2" OD bending spring
64161284	5/8" OD bending spring



FITTING/REFRIGERATION BRUSHES

High carbon crimped steel bristles.

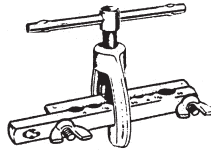
PART #	I.D.	PART #	I.D.
93161001	1/4"	20300374	1"
93161002	3/8"	93161010	1-1/4"
20200180	1/2"	93161012	1-1/2"
93161005	1/2" Economy	93161014	2"
20300368	3/4"		
93161007	3/4" Economy		

SEE ALSO PAGES
3-5 AND 18-8



FLARING TOOL

PART #	DESCRIPTION
64161202	Flaring tool. Flares 3/16", 1/4", 5/16", 3/8", 7/16", 1/2", 5/8" OD. For soft copper, aluminum or brass.



4-WAY COPPER CLEANING TOOL

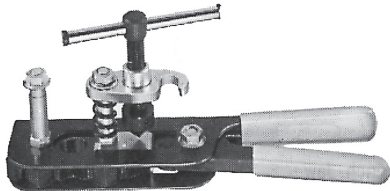
Brush for cleaning 1/2" & 3/4" Nom. copper inside and out.

PART # 20401020



FLARING TOOL

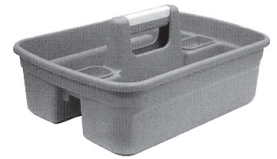
PART #	DESCRIPTION
64001200	Deluxe flaring tool. Flares 3/16" to 5/16" OD with swing-away flare cone



UTILITY TOTE CADDY

Lightweight, durable, high impact plastic

PART # 64000010



FLARING PUNCHES

PART #	DESCRIPTION
64001202	1/4" Nom. flare punch
64001204	3/8" Nom. flare punch
64001206	1/2" Nom. flare punch
64001208	3/4" Nom. flare punch
64001210	1" Nom. flare punch



SWEDGE TOOLS

PART #	DESCRIPTION
64161210	Swedge tool. Swedges to slip: 3/8", 1/2" & 3/4" ID. Nom sizes to slip 1/2", 5/8", 7/8" OD
20301433	Swedge tool. Swedges: 1/2", 3/4", & 1" ID. Tubing to slip: 5/8", 7/8", 1-1/8" OD

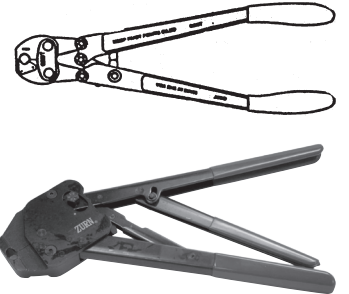


CRIMPING TOOLS

For polybutylene insert plumbing systems. Single size crimping tool comes with Go/No-Go gauge.

PART #	DESCRIPTION
20401047	1/2" CTS tool
20401046	3/4" CTS tool
20401048	Quick Clamp S/S Crimp Ring Tool

64942000



25' LIGHTED TAPE MEASURE



- Easy to read in reduced light.
- Quick read markings
- Made of high-impact ABS plastic
- Lock/unlock switch and fingertip friction brake
- Bubble level

PART # 64851020

14" LIGHTED LASER LEVEL

- Laser pointer projects a 6mm spot up to 100'
- 3 lighted vials for easy-to-read measurements
- Versatile for most jobs with 0°, 45° and 90° vials.

PART # 64851010



4 PIECE GETTA GRIP TAPE MEASURE SET

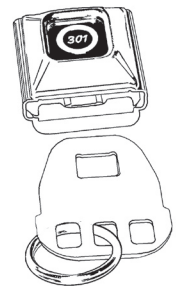
- High impact plastic cases
- Ergonomic handle grips
- Quick-read markings

PART # 64851060



SIDECAR KEYRING

PART # 20401004



HOUSTON
800/392-5066

ORLANDO
800/327-3022

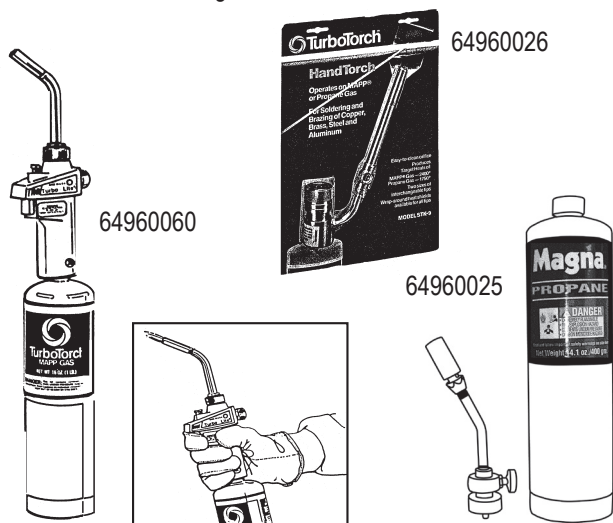
GREENVILLE
800/476-2212

LOOK FOR US ON THE WEB AT: www.TMSSouth.com

TOOLS, FASTENERS & SEWER EQUIPMENT

PROPANE TORCHES

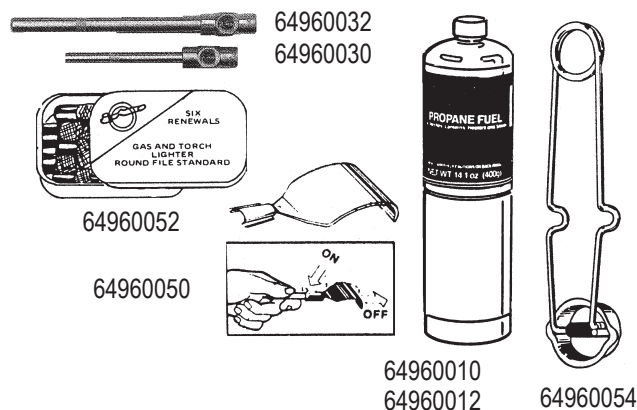
PART #	DESCRIPTION
20300363	Self-Lighting torch. Can use both MAPP and propane without changing the orifice. Tip swivels 180 degrees for working in any position.
64960025	Propane torch kit – includes solid brass pencil tip torch and propane cylinder.
20300367	Self-igniting swivel torch. 360° swivel, efficient swirl flame, removable brass tip and solid brass regulator.



HAND TORCH ACCESSORIES

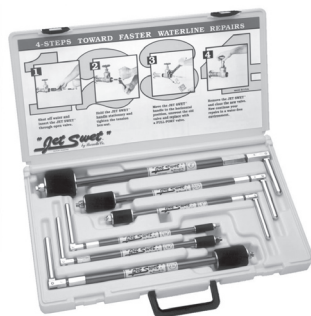
PART #	DESCRIPTION
64960032	Large torch tip. For 3/8" to 2-1/2" copper
64960030	Small torch tip. For 1/8" to 1/2" copper
64960040	Orifice for 64960032
64960050	Heat shield
64960024	Propane brazing torch (not shown)
64960010	Propane disposable tank 14.1 oz.
20300362	MAPP disposable tank 16.0 oz.
64960054	Single flint cup type striker
64960052	Box of flints (5)
64960058	O-ring for torch tip (6) (not shown)
64960056	Silver brazing (1 lb.). Self fluxing on copper.

Ideal for plumbing, electrical or air conditioning.



"Jet Swet"™ Original Plumbing Plug from Brenelle Enterprises, Inc.

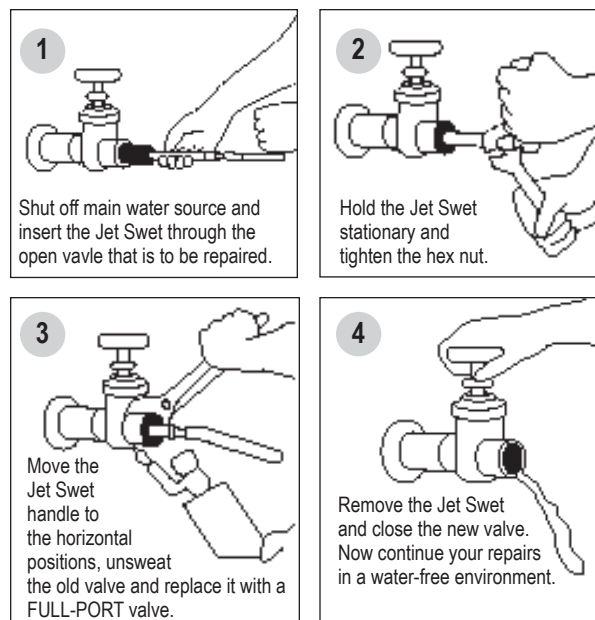
PART #	DESCRIPTION
20401049	1/2" – 2" Jet Swet pack w/ case
20401050	1/2" – 1" Jet Swet pack
20401051	1/2" Jet Swet
20401052	3/4" Jet Swet
20401053	1" Jet Swet
20401054	1-1/4" Jet Swet
20401055	1-1/2" Jet Swet
20401056	2" Jet Swet
20401057	2-1/2" Jet Swet
20401058	3" Jet Swet
20401059	4" Jet Swet



REPLACEMENT GASKETS

PART #	DESCRIPTION
20401060	1/2"
20401061	3/4"
20401062	1"
20401063	1-1/4"
20401064	1-1/2"
20401065	2"

HOW TO USE A JET SWET:



Immediately repair pipes – no waiting for water to drain!
Works with Copper, PVC, ABS, Steel and Black Pipe
Holds up to a maximum 65 psi



**TOTAL
MAINTENANCE
SOLUTIONS**

HOUSTON
800/392-5066

ORLANDO
800/327-3022

GREENVILLE
800/476-2212

LOOK FOR US ON THE WEB AT: www.TMSSouth.com

TOOLS, FASTENERS & SEWER EQUIPMENT

SHEET METAL SCREWS

PAN HD PART #	HEX HD PART #	SIZE	STD BOX
61053290	61053741	6 x 1/2"	100
61053292	61053742	6 x 3/4"	100
61053294	61053743	6 x 1"	100
61053309	61053744	8 x 1/2"	100
61053311	61053745	8 x 3/4"	100
61053312	61053746	8 x 1"	100
61053313	61053747	8 x 1-1/4"	100
61053314	61053748	8 x 1-1/2"	100
61053320	61053750	10 x 1/2"	100
61053321	61053751	10 x 3/4"	100
61053322	61053752	10 x 1"	100
61053323	61053753	10 x 1-1/4"	100
61053324	61053754	10 x 1-1/2"	100
61053326	61053755	10 x 2"	100
61053330	61053756	12 x 1/2"	100
61053331	61053757	12 x 3/4"	100
61053332	61053758	12 x 1"	100
61053333	61053759	12 x 1-1/4"	100
61053334	61053760	12 x 1-1/2"	100
61053335	61053761	12 x 2"	100
61053341	61053762	14 x 3/4"	100
61053342	61053763	14 x 1"	100
61053343	61053764	14 x 1-1/4"	100
61053344	61053765	14 x 1-1/2"	100
61053345	61053766	14 x 2"	100



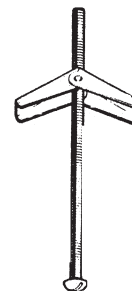
PAN HEAD, SLOTTED SHEET METAL SCREW



HEX WASHER HEAD SLOTTED SHEET METAL SCREW

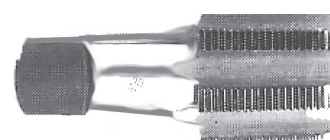
TOGGLE BOLTS ROUND HEAD-SLOTTED

PART #	SIZE	DRILL SIZE	STD BOX
50300356	1/8"x2"	1/2"	50
50300357	1/8"x3"	1/2"	50
50300358	1/8"x4"	1/2"	50
50300360	3/16"x3"	5/8"	50
50300361	3/16"x4"	5/8"	50
50300364	1/4"x3"	3/4"	50
50300365	1/4"x4"	3/4"	50
50300367	1/4"x6"	3/4"	50
61051160	3/8"x3"	7/8"	25
61051161	3/8"x4"	7/8"	25
61051162	3/8"x6"	7/8"	25



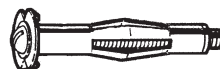
CARBON STEEL TAPER PIPE TAPS

PART #	DESCRIPTION
61083202	1/8"
61083204	1/4"
61083206	3/8"
61083208	1/2"
91083210	3/4"

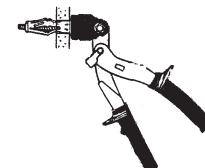


HOLLOW WALL ANCHORS

PART #	SIZE	WALL THK	DRILL SIZE	STD BOX
61051100	1/8 short	1/8-1/2	5/16"	100
61051101	1/8 long	5/8-7/8	5/16"	100
61051106	1/4 short	1/8-5/8	1/2"	50
61051107	1/4 long	5/8-19/16	1/2"	50



Setting tool
PART #
64052100



DRIVEN HOLLOW WALL ANCHORS

PART #	SIZE	WALL THK	DRILL SIZE	STD BOX
61051115	1/8 short	3/8	5/16"	100
61051116	1/8 long	5/8	5/16"	100



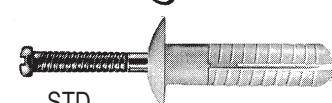
METAL NAIL ANCHORS (MUSHROOM HEAD)

PART #	SIZE	DRILL SIZE	STD BOX
61051791	1/4"x1"	1/4"	100
61051792	1/4"x1-1/4"	1/4"	100
61051793	1/4"x1-1/2"	1/4"	100



NYLON NAIL ANCHORS (MUSHROOM HEAD) WITH REMOVABLE HEAD

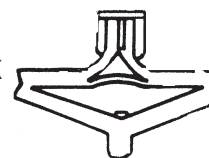
PART #	SIZE	DRILL SIZE	STD BOX
61051062	1/4"x1"	1/4"	100
61051063	1/4"x1-1/2"	1/4"	100
61051064	1/4"x2"	1/4"	100
61051065	1/4"x3"	1/4"	100



Both metal and nylon anchors available in flat or round head

PLASTIC TOGGLE ANCHORS

PART #	SIZE	DRILL SIZE	STD BOX
61051041	3/8"-1/2"	5/16"	100
61051042	1/2"-5/8"	5/16"	100
61051043	5/8"-3/4"	5/16"	100



CONICAL PLASTIC ANCHORS

PART #	SIZE	DRILL SIZE	STD BOX
61051029	6-8x3/4"	3/16"	100
61051030	8-10x7/8"	3/16"	100
61051031	10-12x1"	1/4"	100
61051032	14-16x1-1/2"	5/16"	100



TOTAL MAINTENANCE SOLUTIONS

HOUSTON
800/392-5066

ORLANDO
800/327-3022

GREENVILLE
800/476-2212

LOOK FOR US ON THE WEB AT: www.TMSSouth.com

TOOLS, FASTENERS & SEWER EQUIPMENT

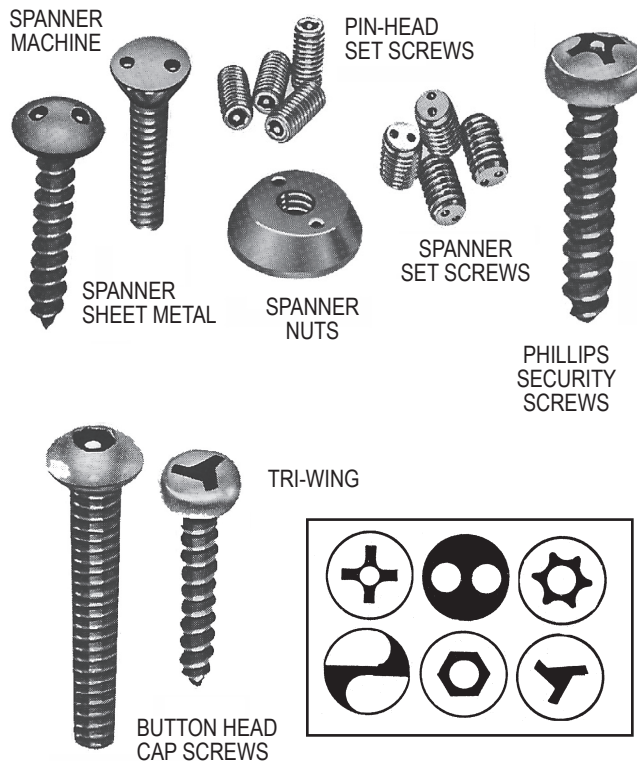
105 PIECE SECURITY/STANDARD SCREWDRIVER BIT SET

This complete set includes security bits to remove tamper resistant screws as well as standard bits for more common fasteners: slotted bits, drywall #2 Phillips bits, square drive bits, Hex SAE bits, clutch bits, security Torx bits, security hex bits and spanner bits. Also includes a heavy duty ratchet screwdriver with forward, reverse, and conventional settings; a magnetic extension bit holder and convenient carry case. PART # 20300131



SECURITY-TAMPERPROOF FASTENERS

The following types of Security-Tamperproof fasteners are available



127 PIECE QUICK DISCONNECT BIT SET

Includes:
 - 13 high speed steel drill bits, 3 wood boring drill bits, 4 masonry drill bits, 8 brad point bits and 12 nut drivers
 - 48 assorted 2" power screwdriver bits
 - 24 assorted 1" power screwdriver bits
 - 4 hole saws and hole saw mandrel
 PART # 64851050



ONE-WAY FASTENER ASSORTMENTS

- | PART # | DESCRIPTION |
|----------|--|
| 61778012 | One-way tapping screw assortment. Sizes 6 thru 14 zinc & steel plated. |
| 61778014 | One-way combination machine and tapping. Sizes 6, 8, 10, 14; 6-32, 8-32 10-32 and 1/4-20. |
| 61778020 | One-Way sex bolts, door & hardware kit. Contains variations of sex bolts, toilets partition sex bolts, plus one-way door and window hardware screws. |



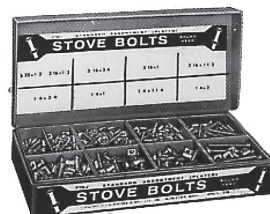
PAN HEAD SLOTTED TAPPING SCREW KIT

Contains approx. 400 screws No. 4 x 1/2 to No. 10 x 2.
 PART # 61000395



ROUND HEAD SLOTTED MACHINE SCREW KIT

Contains approx. 270 screws No. 3/16x1/2 to 1/4x2.
 PART # 61000270



FLAT HEAD SLOTTED WOOD SCREW KIT

Contains approx. 325 screws No. 6 x 1/2 to No. 10 x 2.
 PART # 61000325



USS FLAT WASHER KIT

Contains 400 washers 3/16 to 3/4.
 PART # 61000394



TOTAL MAINTENANCE SOLUTIONS

HOUSTON
800/392-5066

ORLANDO
800/327-3022

GREENVILLE
800/476-2212

LOOK FOR US ON THE WEB AT: www.TMSSouth.com

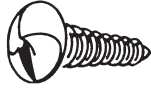
TOOLS, FASTENERS & SEWER EQUIPMENT

SEX BOLT SHOULDERS NUT

Female, threaded 1/4-20
PART # 50400067



ONE-WAY TAPPING SCREWS

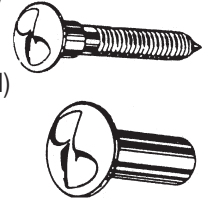


PART #	SIZE
77461068	8 x 3/4"
50300167	10 x 5/8"
50300165	10 x 3/4"
50300166	10 x 1"

ONE-WAY SHOULDER SCREWS AND BARREL NUTS

(For toilet partitions and thru-bolt applications)

PART #	SIZE
50300217	10-24 x 15/16" shoulder screw (7/8"-1" panel)
50300219	10-24 x 1-5/16" shoulder screw (1-1/4" panel)
50300222	10-24 x 5/8" barrel nut



SEX BOLT GROMMET NUT

Female, threaded 1/4-20
PART # 77351080



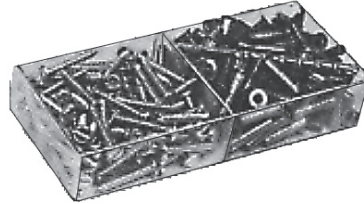
ONE-WAY MACHINE SCREWS



PART #	SIZE
50300181	8-32 x 3/4"
50300183	8-32 x 1-1/8"
50300186	10-24 x 3/4"
50300228	8-32 button head nut
50300222	10-24 one-way slotted nut

ANCHOR KITS

PART #	DESCRIPTION
61059005	10x1 Combination Phillips/Slotted Pan Head screw kit. Contains 100 anchors & 100 screws with one 1/4" masonry bit.
61059006	14x1-1/2 Slotted Pan Head screw kit. Contains 60 anchors & 60 screws with one 5/16" masonry bit.



SEE SECTION 5 FOR MORE TOILET PARTITION FASTENERS

ONE WAY OVAL HEAD MACHINE SCREWS

PART #	SIZE
77351072	1/4-20 X 1-3/4"
77351074	1/4-20 X 2"
77351075	1/4-20 X 2-1/4"
77351076	1/4-20 X 2-1/2"



COUNTERSUNK FINISHING WASHER FOR ABOVE SCREWS

PART # 77351078



USE IN: WALL BOARD OR OTHER HOLLOW WALL APPLICATIONS.

USE WITH: #2 or #3 PHILLIPS SCREWDRIVER AND #8 SHEET METAL OR DRY WALL SCREWS.

MADE OF: DuPONT ZYTEL NYLON

SIZE: 3/8" TO 1" WALLBOARD

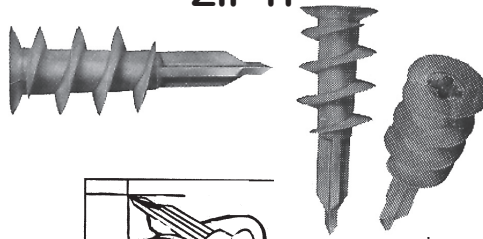
- Fast and easy to use
- High holding power
- Screw is removable
- Electrically non-conductive for safe installation

PART #	DESCRIPTION
61051199	Box of 100 ZIP-IT plastic anchors
61011199	Zinc, box of 100

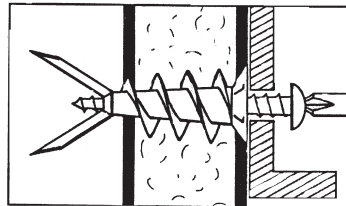
ZIP-IT ANCHOR KITS

PART #	DESCRIPTION
61051225	Kit contains the following: 50 Zip-It anchors 50 #8 x 1" screws
61051205	Kit contains the following: 4 Zip-It anchors 4 #8 x 1" screws

ZIP-IT™



All you need is a #2 or #3 phillips screwdriver

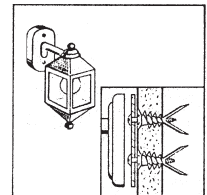


The large collar sets flush to the surface, can't rust and takes paint easily.

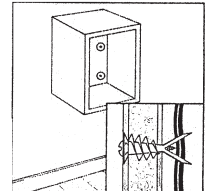


ZIP-IT JUNIOR:
Use #6 x 1" screw
61051190

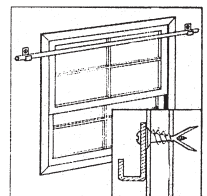
The Zip-It anchors lightweight electrical fixtures to wallboard without drilling



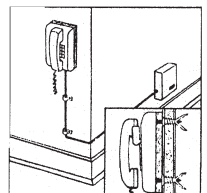
Fixtures are safely anchored to wallboard without cutting hidden cables



Use Zip-It to quickly fasten drapery supports to wallboard without pre-drilling.



Zip-It is ideal to fasten phone systems and related accessories without special tools



TOTAL MAINTENANCE SOLUTIONS

HOUSTON
800/392-5066

ORLANDO
800/327-3022

GREENVILLE
800/476-2212

LOOK FOR US ON THE WEB AT: www.TMSSouth.com

TOOLS, FASTENERS & SEWER EQUIPMENT

SHOVELS AND SPADES

HOLLOW BACK ROUND POINT BLADE SHOVEL

Stamped from a single piece of steel with forward turned steps for secure and comfortable foot placement. For light to moderate industrial and construction applications.

With 47" fiberglass handle
PART # 20301290

With 27" fiberglass handle
PART # 20301291

20301291



20301290

HOLLOW BACK SQUARE POINT SHOVEL

With 47" fiberglass handle

PART # 20301309



16" DRAIN SPADE/ SHARP SHOOTER

With 28" fiberglass handle and D-grip

PART # 20301311



SOLID SHANK GARDEN SPADE

Forged from a single bar of steel, the solid neck and blade of this tool is extremely durable. For heavy-duty commercial and contractor use.

With 27" fiberglass blade
PART # 20301308



4" CLASSIC TRENCH SHOVEL

With 48" fiberglass handle

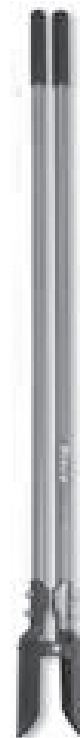
PART # 20301312



POST HOLE DIGGER

With 72" fiberglass handle

PART # 20301310



**TOTAL
MAINTENANCE
SOLUTIONS**

HOUSTON
800/392-5066

ORLANDO
800/327-3022

GREENVILLE
800/476-2212

LOOK FOR US ON THE WEB AT: www.TMSSouth.com

TOOLS, FASTENERS & SEWER EQUIPMENT

RIDGID TOOLS

PIPE DIES

PART #	NPT
20301316	3/8 - 18
20301317	1/2 - 14
20301318	3/4 - 14
20301319	1 - 11-1/2
20301320	1-1/4 - 11-1/2
20301321	1-1/2 - 11-1/2
20301322	2 - 11-1/2



MODEL 458R RATCHET FLARING TOOL

PART # 20301337



PLASTIC PIPE RATCHET CUTTERS

PART #	DESCRIPTION
20301345	1/8" - 1-1/2" capacity Model 138
20301346	1/8" - 2-3/8" capacity Model 1493
20301358	Model 138 replacement cutter
20301359	Model 1359 replacement cutter



EXPOSED RATCHET THREADER SET, MODEL 00-R

Includes die heads, ratchet assembly, ratchet handle and alloy dies. 1/8" - 1"

PART # 20301323



CLOSE QUARTERS TUBING CUTTER

PART #	CAPACITY/MODEL
20301338	1/8" - 5/8", Model 103
20301339	3/16" - 15/16", Model 104

HEAVY-DUTY PIPE CUTTER, 2-A

PART # 20301340



RATCHET AND HANDLE ONLY

PART	DESCRIPTION
20301324	For Model 00-R
20301325	For Model 12-R

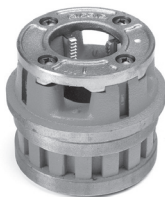


TUBING & CONDUIT CUTTERS

PART #	DESCRIPTION
20301341	Screw feed cutter, 1/8" - 1" capacity, Model 10
20301342	Screw feed cutter, 3/16" - 1-1/8" capacity Model 15



DIE HEADS FOR MANUAL THREADERS 00-R AND 12-R



PART #	DESCRIPTION
20301326	For Model 00-R, 3/8" NPT
20301327	For Model 00-R, 1/2" NPT
20301328	For Model 00-R, 3/4" NPT
20301329	For Model 00-R, 1" NPT
20301330	For Model 12-R, 3/8" NPT
20301331	For Model 12-R, 1/2" NPT
20301332	For Model 12-R, 3/4" NPT
20301333	For Model 12-R, 1" NPT
20301334	For Model 12-R, 1-1/4" NPT
20301335	For Model 12-R, 1-1/2" NPT
20301336	For Model 12-R, 2" NPT

CONSTANT SWING CUTTER

Feed cutter, 1/8" - 1-1/8" capacity, Model 150

PART # 20301343



RATCHETING ENCLOSED FEED CUTTER

1/4" - 2-3/8" capacity Model 205

PART # 20401023



REPLACEMENT CUTTER WHEELS

For Tubing

PART #	FITS MODELS
20301347	154-P, 156-P
20301348	10, 15, 20
20301349	30, 106, 108, 109, 154, 156
20301350	103/104/117, 150, 106, 151-P, 152-P, 153-P, 122
20301351	151, 152, 153, 205
20301352	151-P, 152-P
20301353	106, 108, 109P, 154-P, 156-P
20301354	10, 15, 20

For Pipe

20301355	1A, 2A, 42A, 202, 360, 820/364, 732
20301356	3S, 4S, 44S, 466C, 466S, 466HWS, 468C, 468S, 468HWS, 472C, 472S, 472HWS

NO 127 INNER-OUTER REAMER

1/4" (6mm) through 1-1/2" (37mm)

Nominal water tube

PART # 20301357



NEED A RIDGID TOOL NOT LISTED HERE?

CALL US! WE'D BE GLAD TO HELP YOU FIND IT!



TOTAL MAINTENANCE SOLUTIONS

HOUSTON
800/392-5066

ORLANDO
800/327-3022

GREENVILLE
800/476-2212

LOOK FOR US ON THE WEB AT: www.TMSSouth.com

FLUSH VALVES

COMPLETE FLUSH VALVES FROM DELANY



PART #
40220001

40221096

40221098

CLOSET

DESCRIPTION
Delany Flushboy model 402
1" stop w/ 1-1/2" x 9" VB, 3.5 gpf
Delany Flushboy 1" stop w/ 1-
1/2" x 9" vacuum breaker, 1.6 gpf
Delany Flushboy valve only
for 1" stops. Valve less stop
and vacuum breaker

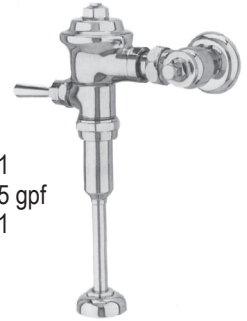


URINAL

PART #
40221092

40221097

DESCRIPTION
Delany Flushboy model 451
3/4" stop w/ 3/4"x 9" VB, 1.5 gpf
Delany Flushboy model 451
Valve only, valve less stop
and vacuum breaker



URINAL

PART #
40221106

DESCRIPTION
Delany Flushboy model 452
1" stop w/ 1-1/4" x 9" VB



DELANY IMPULSE RETROFIT

PART #
40221184

40221225

40221190

40221226
40221227
40221228

DESCRIPTION
Retrofit for Delany valves
with 3/4" stops - 1.0/1.5
Retrofit for Delany
commode - 3 gallon
Retrofit for Delany 452
urinal & 4.5 GPF commode
Delany Retrofit for Sloan 186 valves
Delany Retrofit for Sloan 110 valves
Delany Remote control - for setting valves



COMPLETE FLUSH VALVES FROM TOTO

TOTO SENSOR FLUSH VALVES

PART #
92753235

40201021

92751035

40240020

40240030

DESCRIPTION
Battery operated closet sensor flush valve with
mechanical override. 3.5 gpf, 1-1/2" x 9" vacuum
breaker, 1" angle stop
Battery operated closet sensor flush valve with
mechanical override. 1.6 gpf, 1-1/2" x 9" vacuum
breaker, 1" angle stop
Battery operated urinal sensor flush valve.
1.0 gpf, 3/4" x 9" vacuum breaker, 3/4" angle stop.
No mechanical override.
ECOPOWER closet flush valve, 1.6 GPF with self-
generating power system.
ECOPOWER urinal flush valve, 1.0 GPF with self-
generating power system.



92753235



92751035



40240020

TOTO MANUAL FLUSH VALVES

PART #
92752004

92752006

92752008

DESCRIPTION
1-1/2" x 9" vacuum breaker, 1" angle stop. 1.6 gpf
closet
1-1/2" x 9" vacuum breaker, 1" angle stop. 3.5 gpf
closet
3/4" x 9" vacuum breaker, 3/4" angle stop. 1.0 gpf
urinal



92752004



92752008



**TOTAL
MAINTENANCE
SOLUTIONS**

HOUSTON
800/392-5066

ORLANDO
800/327-3022

GREENVILLE
800/476-2212

LOOK FOR US ON THE WEB AT: www.TMSSouth.com

FLUSH VALVES

COMPLETE FLUSH VALVES FROM SLOAN

SLOAN ROYAL FLUSHOMETER

PART #	DESCRIPTION
40260100	Model 110, 1" stop. 1-1/2" x 9" vacuum breaker, 3.5 gpf, closet
40261200	Model 111, 1" stop. 1-1/2" x 9" vacuum breaker, 1.6 gpf, closet
40262400	Model 180, 1" stop. 1-1/4" x 9" vacuum breaker, 3.5 gpf, urinal
40262600	Model 186, 3/4" stop. 3/4" x 9" vacuum breaker, 1.5 gpf, urinal
40260024*	1.6 closet , ground joint, valve only
40260025*	1.0 urinal , ground joint valve only



* Will retrofit Delany valves

SLOAN REGAL PRO FLUSHOMETER

PART #	DESCRIPTION
40260110	Model 110, 1" stop. 1-1/2" x 9" vacuum breaker, 3.5 gpf, closet
40265178	Model 111, 1" stop. 1-1/2" x 9" vacuum breaker, 1.6 gpf, closet
40265179	Model 180, 1" stop. 1-1/4" x 9" vacuum breaker, 3.5 gpf, urinal
40262610	Model 186, 3/4" stop. 3/4" x 9" vacuum breaker, 1.5 gpf, urinal
40260014	Closet valve only
40260020	Urinal valve only
40260026*	3.5 closet , ground joint, valve only
40260027*	1.5 urinal , ground joint, valve only



* Will retrofit Delany valves

SLOAN GEM 2 (PISTON VALVE)

PART #	DESCRIPTION
40261201	Model 111, 1" stop. 1-1/2" x 9" vacuum breaker, 1.6 gpf, closet
91780140	Model 180, 1" stop. 1-1/4" x 9" vacuum breaker, 1.0 gpf, urinal
91780150	Model 186, 3/4" stop. 3/4" x 9" vacuum breaker, 1.0 gpf, urinal



SLOAN OPTIMA G2 PLUS

PART #	DESCRIPTION
40260404	Model 8110, 1-1/2" vacuum breaker. 3.5 gpf, battery operated sensor, closet
40268111	Model 8111, 1.6 gpf, closet
40260403	Model 8186, 3/4" x 9" vacuum breaker. 1.0 gpf battery operated sensor, urinal
40268181	Model 8186-1 urinal , 1.5 gpf



OPTIMA G2 RETROFIT CONVERSION KITS

PART #	DESCRIPTION
40261162	Closet kit for Sloan Royal or Regal
40260235	Urinal kit for Sloan Royal or Regal

Retrofit conversion kits are available for Delany & Zurn flush valves.



Conversion Kit shown installed on an existing Sloan Flushometer

OPTIMA SMO CONVERSION KITS

PART #	DESCRIPTION
40260003	Side mount operator with override & metal cover for Sloan or Zurn
40260012	Same as above with CP plastic cover
40260470	Side mount operator with override & plastic cover for Delany



Side mount operator units do not include a valve body, supply stop or vacuum breaker.

"SMOOTH" SIDE MOUNT OPERATOR-OVER-THE-HANDLE

Battery powered sensor activated retrofit unit
Part # 40260022



FLUSH VALVES

COMPLETE FLUSH VALVES FROM ZURN

ZURN AQUAFLUSH EXPOSED FLUSH VALVE

With Top Spud Connection for Water Closets

PART #	DESCRIPTION
40291093	1.6 Closet, 1-1/2" x 9"
40291013	3.5 Closet, 1-1/2" x 9"

ZURN AQUAFLUSH EXPOSED FLUSH VALVE

With Top Spud Connection for 3/4" Urinals

PART #	DESCRIPTION
40291038	1.0 Urinal, 3/4" x 9"
40291035	1.5 Urinal, 3/4" x 9"

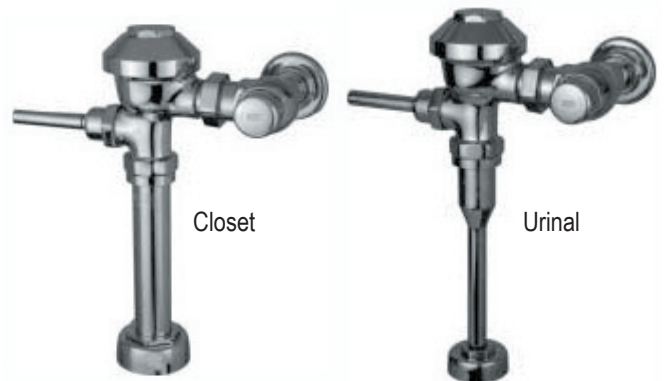


ZURN AQUAVANTAGE® EXPOSED FLUSH VALVE FOR WATER CLOSETS

PART #	DESCRIPTION
40291088	3.5 gpf, 1-1/2"
40291089	1.0 gpf, watersaver, 1-1/4"
40291090	1.6 gpf, watersaver, 1-1/2"

ZURN AQUAVANTAGE® EXPOSED FLUSH VALVE FOR URINALS

PART #	DESCRIPTION
40291091	1.0 gpf, 3/4"
40291092	1.5 gpf, 3/4"



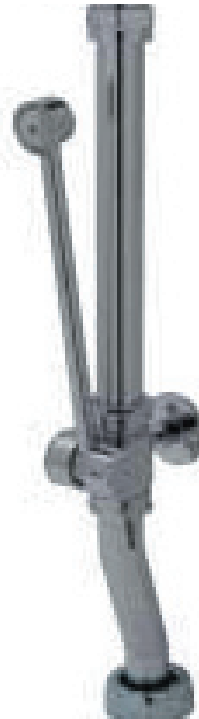
AQUAVANTAGE® AV AQUAFLUSH® BEDPAN WASHER SERIES



Z6000-DVN

Exposed bedpan washer for water closets. Includes bedpan washer, wall bracket and support bracket, high pressure vacuum breaker, vacuum breaker tube nut, 1-1/2" (38mm) flush tubes, fixture spud escutcheon and fixture spud securing nut.

Part # 40296040



Z6011-DVN

Exposed bedpan washer for water closets with handicap grab bar applications. Includes bedpan washer, wall bracket and support bracket, high pressure vacuum breaker, vacuum breaker tube nut, 1-1/2" (38mm) flush tubes, fixture spud escutcheon and fixture spud securing nut.

Part # 40296041



**TOTAL
MAINTENANCE
SOLUTIONS**

HOUSTON
800/392-5066

ORLANDO
800/327-3022

GREENVILLE
800/476-2212

LOOK FOR US ON THE WEB AT: www.TMSSouth.com

FLUSH VALVES

RETROFIT KITS FROM ZURN AND TMS

E-Z FLUSH RETROFIT KIT FOR ALL FLUSH VALVES

Makes updating your existing handle-operated flush valves a breeze. Simply remove handle assembly and replace it with the E-Z Flush retrofit kit (batteries included).

PART #	DESCRIPTION
40265105	TMS retrofit kit
40296025	E-Z Flush with metal cover



ZURN ZRK RETROFLUSH KITS

With chrome metal housing retrofits to Zurn and Sloan Royal® and Sloan Regal® flush valves

PART #	DESCRIPTION
40291101	Sensor kit for 1.6 Closet
40221059	Sensor kit for 3.5 Water Closet
40291100	Sensor kit for 4.5 Closet
40291103	Sensor kit for 1.0 Urinal
40291085	Sensor kit for 1.5 Urinal
40291102	Sensor kit for 3.0 Urinal

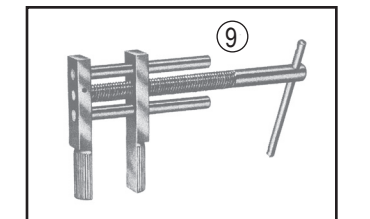
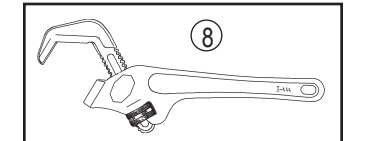
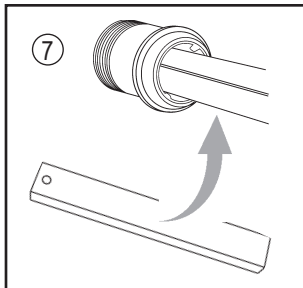
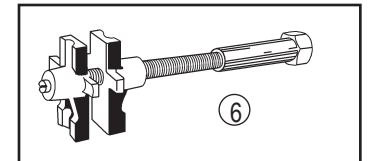
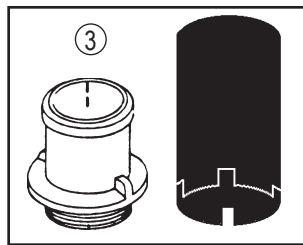
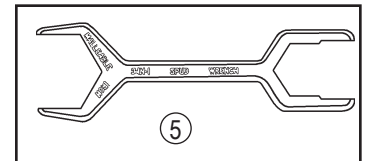
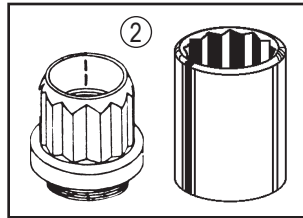
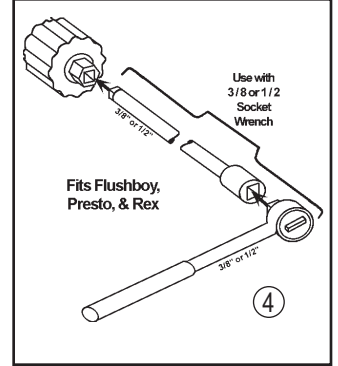
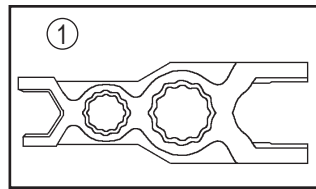


ZURN AQUAVANTAGE DUAL FLUSH HANDLE FOR WATER CLOSETS AND URINALS

PART # 40291094



FLUSH VALVE TOOLS



ITEM	PART #	DESCRIPTION
1	20205308	Sloan Super Wrench
	64969964	Sloan valve wrench, fits Royal A72 & A4 covers, coupling nuts (not shown)
2	20200153	Delany seat removal tool for Flushboy
3	92239964	Delany seat removal tool for Flushboy & Presto valves
4	20200165	Easy Out Delany main seat removal tool
5	20200167	3-IN-1 Outside spud wrench
6	20200134	Inside expansion wrench for spuds, basket strainers, pipe nipples 1/2", 3/4", 1", and larger
7	20200171	Tailpiece removal tool – fits Sloan, Delany & Zurn
8	64000110	Ridgid off set smooth jaw hex wrench
	20200150	Zurn wonder wrench
9	20200148	Adjustable inside spud wrench



HOUSTON
800/392-5066

ORLANDO
800/327-3022

GREENVILLE
800/476-2212

LOOK FOR US ON THE WEB AT: www.TMSSouth.com

FLUSH VALVES

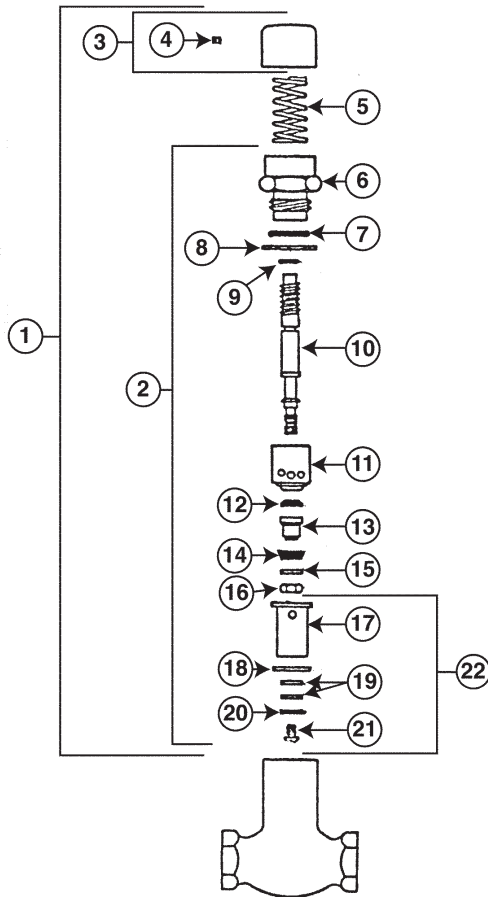
CENTRAL BRASS 336 SLOW CLOSE VALVE

ITEM	PART #	DESCRIPTION
1	40121065	Slow close repair kit - plain
2	40151181	Stem & bonnet assembly
3	40121062	Cap - plain
4	02150010	Set screw 3/16" long
5	40121063	Spring
6	40121061	Bonnet
7	40950025	O-ring
8	40120506	Gasket
9	40950017	O-ring
10		Stem
11	40121055	Sleeve
12	40121060	Seat washer
13	02150307	Seat washer holder
14	40121064	Cup washer
15	02150512	Washer
16	02150309	Hex nut
17		Dash pot
18		Gasket
19		Felt washer
20		Brass washer
21		Screw
22	02150340	Dash pot assembly



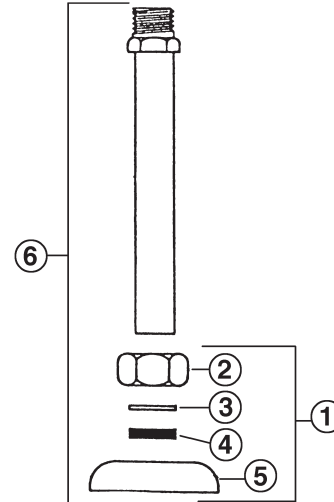
40150336
Complete valve 3/8"

40150335
Complete valve 1/2"



URINAL NUT AND FLANGE ASSEMBLY

ITEM	PART #	DESCRIPTION
1	02151250	Flange and nut assembly
2	02151252	3/4" Spud coupling nut
3	02151254	Brass friction washer
4	40261059	3/4" Spud washer
5		Flange
6	40150342	3/8" Urinal nut & flange assembly
	40100218	1/2" Urinal nut & flange assembly



Did You Know?

The United States uses about 346,000 million gallons of fresh water everyday...

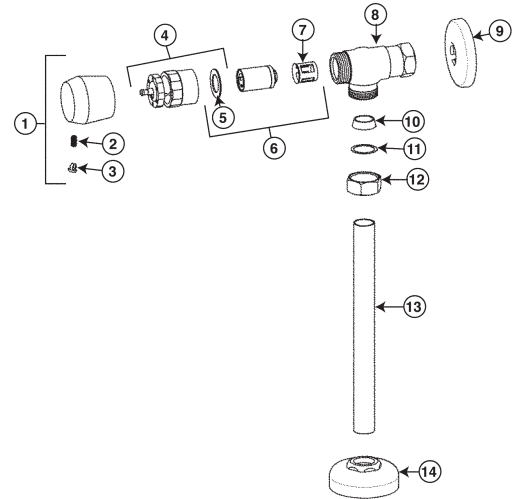
The average person uses anywhere from 80-100 gallons of water per day.

Flushing the toilet actually takes up the largest amount of this water.

FLUSH VALVES

CHICAGO FAUCETS URINAL VALVE MODEL 732-665PSHCP

ITEM	PART #	DESCRIPTION
1	40120176	Push handle assembly
2		Set screw
3		Buttons, hot and cold
4	40120106	Actuator assembly
5		Sealing washer
6	40120051	Metering valve cartridge
7		Filter
8		Valve body (not sold separately)
9		Wall flange
10		Rubber washer
11		Washer
12		Nut
13		Tube
14		Flange assembly pre-pack

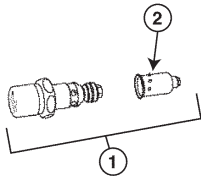


CHICAGO FAUCETS URINAL VALVE MODEL 732-CP

ITEM	PART #	DESCRIPTION
1	40120613	Push button assembly
2	03150460	Slow dashpot assembly

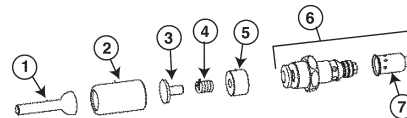


Push button assembly
(Parts breakdown below)



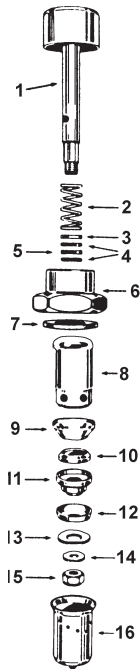
CHICAGO FAUCETS URINAL VALVE MODELS 732-OHCP AND 733-OHCP

ITEM	PART #	DESCRIPTION
1		Handle
2		Bonnet
3		Plunger
4		Spring
5		Sleeve
6		Oscillating handle unit
7		Slow dashpot assembly



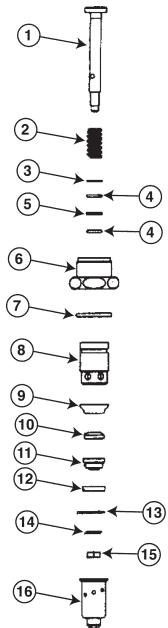
CHICAGO FAUCETS NAIAD SELF-CLOSING UNIT PARTS

ITEM	PART #	DESCRIPTION
1	40120654	Button & Stem assembly
2	40120655	Spring
3	40120656	Washer
4	40120657	O-Rings
5	40120658	Leather washer
6	40120659	Cap
7	40120660	Gasket
8		Sleeve
9	40110172	Seat
10	40120252	Washer
11	40120661	Retainer
12	40120662	Cup
13	40120663	Washer
14	40110167	Washer
15	40120265	Nut
16	40120664	Dash Pot



CHICAGO FAUCETS NAIAD CARTRIDGE WITH DASHPOT AND OSCILLATING HANDLE

ITEM	PART #	DESCRIPTION
1		Button & Stem assembly
2	40120655	Spring
3	40120656	Washer
4	40120657	O-Rings
5	40120658	Leather washer
6		Cap
7	40120660	Gasket
8		Sleeve
9	40110172	Seat
10	40120252	Washer
11	40120661	Retainer
12	40120662	Cup
13	40120663	Washer
14	40110167	Washer
15	40120265	Nut
16		Dash Pot



**TOTAL
MAINTENANCE
SOLUTIONS**

HOUSTON
800/392-5066

ORLANDO
800/327-3022

GREENVILLE
800/476-2212

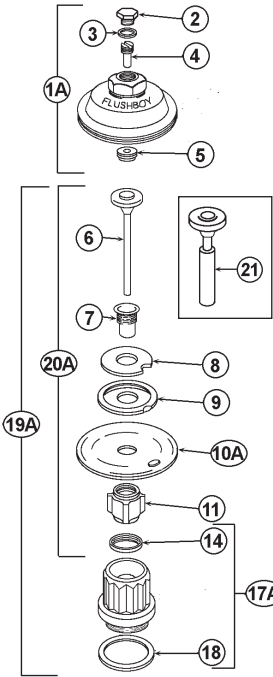
LOOK FOR US ON THE WEB AT: www.TMSSouth.com

FLUSH VALVES

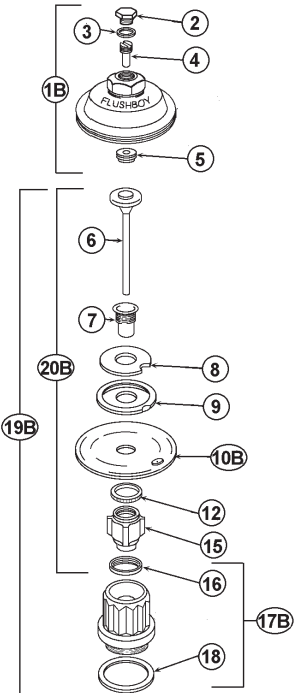
DELANY FLUSHBOY RENEWAL PARTS

ITEM	PART #	DESCRIPTION
1A	40221024	Cover assembly
1B	92233156	Cover assembly
1C	92233154	Cover assembly
1D	92233150	Cover assembly
2	40221000	Cover screw
3	40221001	Washer for cover screw (omitted in later production)
4	40221002	Regulating screw
5	40221004	Packing for cover
6	40221005	Auxiliary valve
7	40221006	Diaphragm bushing, plastic
7A	92001030	Diaphragm bushing, brass
8	40221007	Auxiliary valve seat
9	40221008	Auxiliary valve seat holder
10A	40221026	Diaphragm w/ auxiliary valve seat 4.5 gpf
	40221100	Diaphragm w/ auxiliary valve seat 4.5 gpf, non OEM
10B	40221065	Diaphragm w/ auxiliary valve seat 3.5 gpf
10C	40221066	Diaphragm w/ auxiliary valve seat 1.6 gpf
10D	40221027	Diaphragm w/ auxiliary valve seat 1.0 gpf
	40221087	Diaphragm w/ auxiliary valve seat 1.0 gpf, non OEM
11	40221009	Seat guide
12	40221067	Refill ring, 3.5/1.6
13	40221028	Seat guide
14	40221010	Choke ring 4.5 gpf valves
15	40221068	Seat guide, 3.5/1.6
16	40221069	Choke ring for main valve seat
17A	40221025	Main valve seat
17B	40221070	Main valve seat
17C	40221071	Main valve seat
18	40221011	Main valve seat washer
19A	40221072	Diaphragm operating assy 4.5 gpf
19B	40221073	Diaphragm operating assy 3.5 gpf
19C	40221182	Diaphragm operating assy 1.6 gpf
	40221074	Diaphragm operating assy 1.6 gpf, non OEM
19D	40221075	Diaphragm operating assy 1.0 gpf
	92231090	Diaphragm operating assy 1.0 gpf, non OEM
20A	40221076	Diaphragm operating assembly (less seat) 4.5 gpf
20B	40221077	Diaphragm operating assembly (less seat) 3.5 gpf
20C	40221078	Diaphragm operating assembly (less seat) 1.6 gpf
20D	40221079	Diaphragm operating assembly (less seat) 1.0 gpf
21	40221080	Auxiliary valve (for non hold open)
22	40221012	Handle
23	40221013	Handle nut
24	40221102	Operating stem (for non hold open, use w/ item 21)
25	40221014	Operating stem (overall length 1-7/8")
27	40221089	Flexer
28		Brass insert converter
29		KwikFit valve body
30	40950069	O-ring
31	40221018	Clamping ring
32	40221019	Clamping nut
33	40221020	KwikFit union tailpiece
34	40221021	Union nut
35	40221022	Handle assembly
36		KwikFit valve body assembly

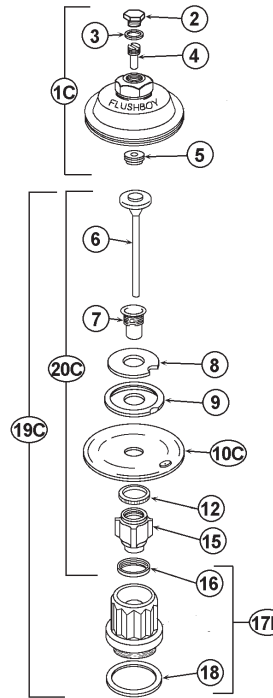
With "Turn-to-silence/ 4.5 gpf" on cover
Valves with 1" supply



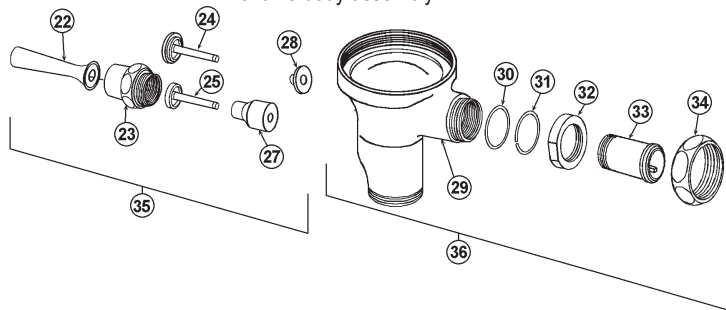
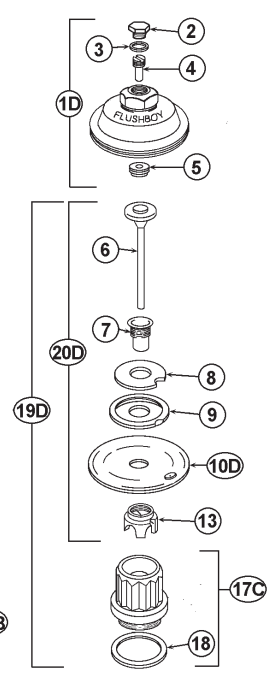
With "Water Saver/ 3.5 gpf" on cover
Valves with 1" supply



With "1.6 gpf" on cover
Valves with 1" supply



With "1.0 gpf" on cover
Valves with 3/4" supply



**TOTAL
MAINTENANCE
SOLUTIONS**

HOUSTON
800/392-5066

ORLANDO
800/327-3022

GREENVILLE
800/476-2212

LOOK FOR US ON THE WEB AT: www.TMSSouth.com

FLUSH VALVES

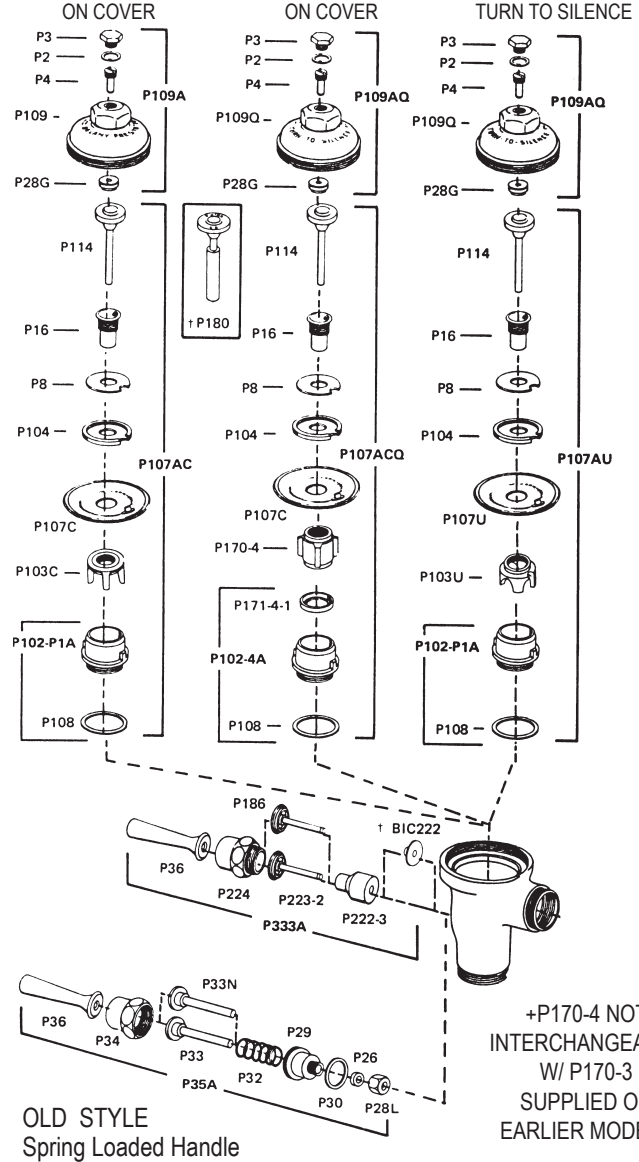
DELANY PRESTO FLUSH VALVE

PART #	OEM #	DESCRIPTION
40221229	BIC222	Brass insert converter
40221001	P2	Washer for cover screw
40221000	P3	Cover screw
40221002	P4	Regulating screw
40221007	P8	Auxiliary valve
40221006	P16	Diaphragm bushing, plastic
92001030		Diaphragm bushing, brass
40221248	P26	Packing washer
40221004	P28G	Packing for cover
	P28L	Packing nut
	P29	Spring housing
40221249	P30	Coupling washer
	P32	Spring
	P33	Operating stem (1-29/32" long)
	P33N	Operating stem (1-27/32" long)
	P34	Handle nut
40221303	P35A	Spring loaded handle assembly
40221012	P36	Handle
40221231	P102-4A	Main seat w/ P108 & P171-4-1
40221247	P102PIA	Main valve seat w/ P108 seat washer
40221233	P104	Seat holder
40221234	P103C	Seat guide (valves w/ 1" supply or larger)
40221235	P103U	Seat guide (valves w/ 3/4" supply)
40221236	P107AC	Diaphragm operating assembly (valves w/ 1" or larger supply)
40221088	P107ACQ	Diaphragm operating assembly (valves w/ 1" supply or larger)
40221237	P107AU	Diaphragm operating assembly (valves w/ 3/4" or smaller supply)
	P107C	Use 40221258 (see below)
	P107U	Use 40221240 (see below)
	P108	Main valve seat washer
	P109	Cover
	P109A	Cover assembly
	P109AQ	Cover assembly (Turn to Silence valves)
	P109Q	Cover (for valves w/ Turn to Silence)
40221308	P114	Auxiliary valve
40221009	P170-4	Seat guide (1" supply or larger)
40221010	P171-4-1	Choke ring for main seat
40221300	P180	Auxiliary valve (non hold open)
40221178	P186	Operating stem (1-9/16" long) (for non hold open)
40221089	P222-3	Flexer
40221185	P-223-2	Operating stem (1-11/16" long)
40221013	P224	Handle nut
40221082	P333A	Rubber flex handle assembly (Turn to Silence)

DIAPHRAGM KITS

40221258		Closet kit (1 ea. P8, P107C)
40221240		Urinal kit (1 ea. P8, P170U)

VALVES W/ 1" SUPPLY W/OUT TURN TO SILENCE VALVES -W/ 1" SUPPLY W/ TURN TO SILENCE VALVES W/ 3/4" SUPPLY W/ OR W/OUT TURN TO SILENCE



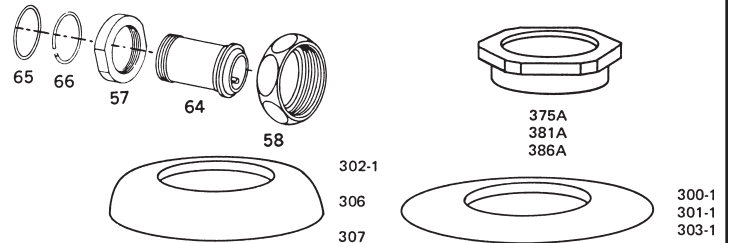
OLD STYLE Spring Loaded Handle

+P170-4 NOT INTERCHANGEABLE W/ P170-3 SUPPLIED ON EARLIER MODELS

DELANY SPUD COUPLING & TAILPIECE PARTS

PART #	OEM#	DESCRIPTION
40221019	57	Clamping nut
40221021	58	Union nut
40221020	64	2" Union tailpiece
40950069	65	O-Ring
40221018	66	Clamping ring
40221302	375A	3/4" Spud nut w/ washer
40221242	381A	1-1/4" Spud nut w/ washer
40221179	386A	1-1/2" Spud nut w/ washer
40221243	302-1	3/4" Spud flange
40221301	306	1-1/2" Spud flange
40221245	307-1	1-1/4" Spud flange

PART #	OEM#	DESCRIPTION
92237503	300-1	1/2" Wall flange (1/2" IPS)
92237502	301-1	3/4" Wall flange (3/4" IPS)
92237506	303-1	1" Wall flange (1" IPS)



TOTAL MAINTENANCE SOLUTIONS

HOUSTON
800/392-5066

ORLANDO
800/327-3022

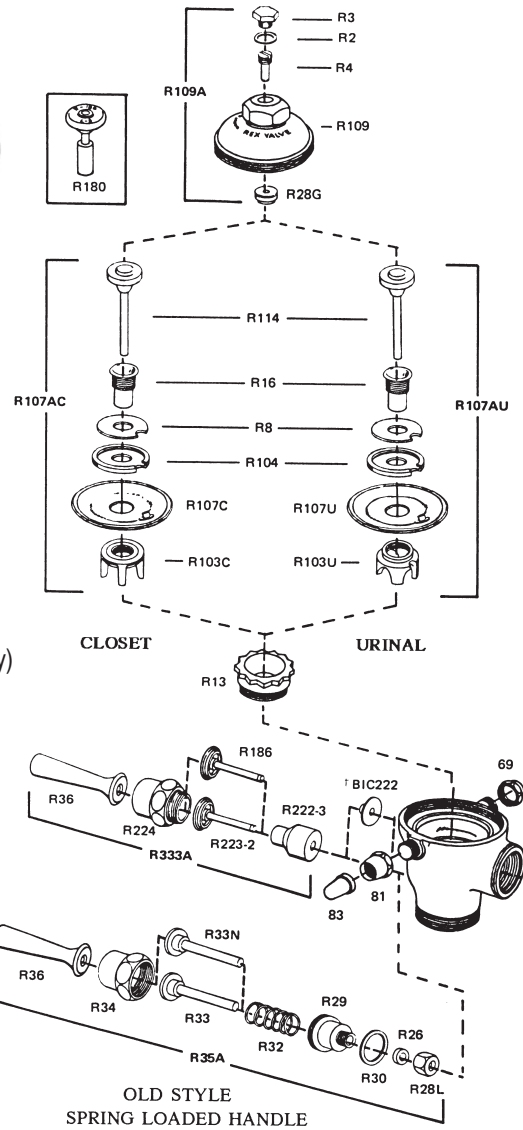
GREENVILLE
800/476-2212

LOOK FOR US ON THE WEB AT: www.TMSSouth.com

FLUSH VALVES

DELANY REX FLUSH VALVE

PART #	OEM#	DESCRIPTION
40221001	R2	Washer for cover screw
40221000	R3	Cover screw
40221002	R4	Regulating screw
40221007	R8	Auxiliary valve seat
40221247	R13	Main valve seat
40221006	R16	Diaphragm bushing, plastic
92001030		Diaphragm bushing, brass
40221248	R26	Packing washer
40221004	R28G	Packing for cover
40221250	R28L	Packing nut
40221251	R29	Spring housing
40221249	R30	Coupling washer
40221252	R32	Spring
40221253	R33	Operating stem (1-29/32" long)
40221254	R33N	Operating stem (1-27/32" long) non hold open
40221255	R34	Handle nut
40221303	R35A	Spring loaded handle assembly
40221012	R36	Handle
40221234	R103C	Seat guide, valves w/ 1" supply
40221235	R103U	Seat guide, valves w/ 3/4" supply
40221233	R104	Auxiliary valve seat holder
40221236	R107AC	Diaphragm operating assembly (valves w/ 1" or larger supply)
40221237	R107AU	Diaphragm operating assembly (valves w/ 3/4" or smaller supply)
	R107C	Use 40221258 (see kits below)
	R107U	Use 40221240 (see kits below)
	R109	Cover
	R109A	Cover assembly
40221308	R114	Auxiliary valve
	R180	Auxiliary valve (non hold open)
40221102	R186	Operating stem (1-13/16" for non hold open)
40221089	R222-3	Flexer
40221105	R222-2	Operating stem
40221013	R224	Handle nut
40221022	R333A	Rubber flex handle assembly
40221043	69	Protecting cap
	81	Bumper holder
	83	Seat bumper
40221229	BIC222	Brass insert converter

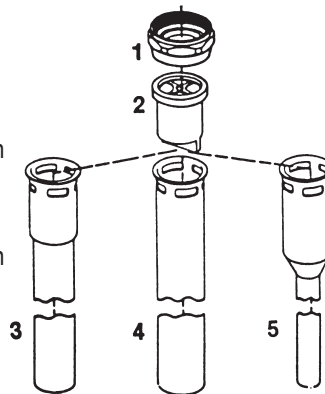


DIAPHRAGM KITS

40221258		Closet kit (1 ea. R8, R107C)
40221240		Urinal kit (1 ea. R8, R107U)

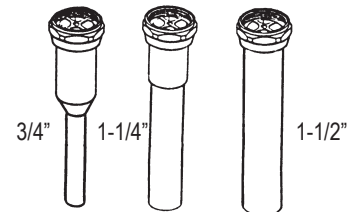
DELANY VACUUM BREAKERS

ITEM	PART #	DESCRIPTION
1	40221125	Cowl nut
2	40221083	Rubber sleeve
3	40221256	1-1/4" x 9" Vented connection
	92235507	1-1/4" x 12" Vented connection
	92235509	1-1/4" x 15" Vented connection
	92235511	1-1/4" x 22-1/2" Vented connection
4	40221176	1-1/2" x 9" Vented connection
	92235512	1-1/2" x 12" Vented connection
	92235513	1-1/2" x 15" Vented connection
	92235515	1-1/2" x 22-1/2" Vented connection
5	40221257	3/4" x 9" Vented connection
	92235516	3/4" x 12" Vented connection
	92235514	3/4" x 15" Vented connection



COMPLETE VACUUM BREAKERS

PART #	BREAKERS
91005514	3/4" x 9"
	3/4" x 15"
91005518	1-1/4" x 9"
92235520	1-1/4" x 22-1/2"
91005524	1-1/2" x 9"
92235522	1-1/2" x 12"
92235524	1-1/2" x 22-1/2"



**TOTAL
MAINTENANCE
SOLUTIONS**

HOUSTON
800/392-5066

ORLANDO
800/327-3022

GREENVILLE
800/476-2212

LOOK FOR US ON THE WEB AT: www.TMSSouth.com

FLUSH VALVES

DELANY HYDRO-FLUSH ACTUATOR ASSEMBLY AND PISTON ASSEMBLY

HYDRO-FLUSH ACTUATOR – Partial assemblies

ITEM	PART #	DESCRIPTION
1	40221259	3" Oscillating disc assembly
2	40221260	Actuator assembly (for 1/2" push button)
	2117A-B-1	Actuator assembly (with 124 sink flange)
	40221261	Actuator assembly (for 3" disc)
3	40221262	Internal actuator assembly
4	40221263	Complete actuator assembly (for 1/2" push button) with nylon tubing
		Complete actuator assembly (with 124 sink flange) with nylon tubing
	40221264	Complete actuator assembly (for 3" disc) with nylon tubing

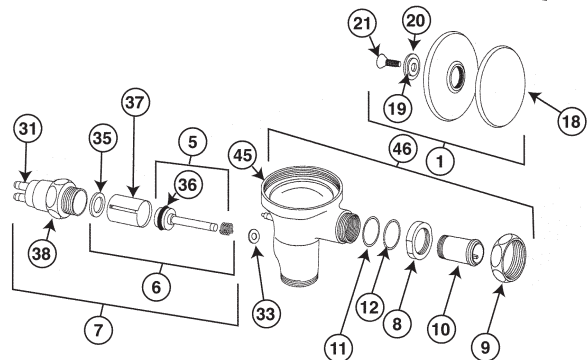
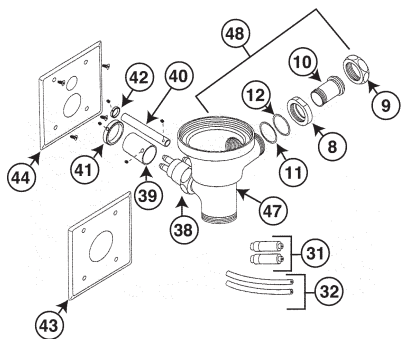
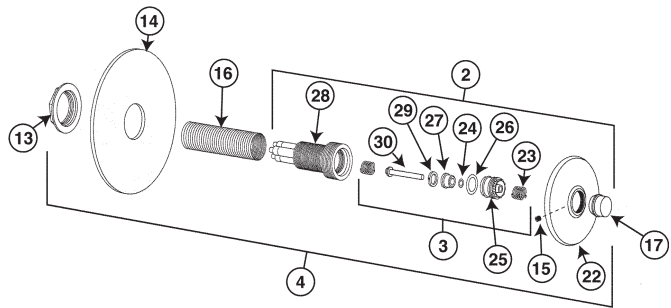
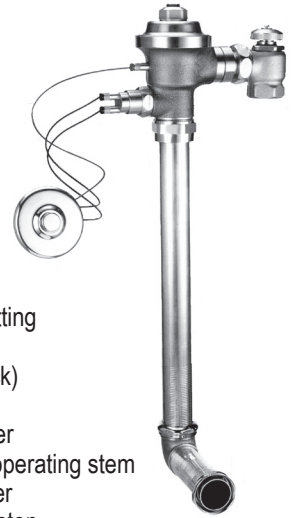
HYDRO-FLUSH PISTON ASSEMBLY – Partial assemblies

ITEM	PART #	DESCRIPTION
5	40221265	Piston operating stem assembly
6	40221266	Piston internal operating assembly
7	40221186	Piston valve assembly
8		Clamping nut
9	40221021	Union nut
10		KwikFit union tailpiece 3" overall length
		KwikFit union tailpiece 4" overall length
		KwikFit union tailpiece 5" overall length
11	40950070	O-ring

INDIVIDUAL PARTS LISTING

12	40221018	Clamping ring
13	40221019	Locknut
14	40221267	Bearing plate
15	40221311	Set screw
16	40221310	Wall sleeve (for use with Hydro-flush Valve) specify length
17	40221309	1/2" Push button
18		3" Oscillating disc
19		Retainer for disc
20		Wall flange (with #340 allen head set screw)
21	40221268	Holding screw for disc
22		Wall flange with set screw
23	40221269	Spring (for push button)
24	40221270	O-ring for spindle
25		Spindle guide
26	40221271	O-ring for spindle guide

ITEM	PART #	DESCRIPTION
27	40221272	O-ring holder
28	40221273	Actuator body
29	40221274	Spindle seat washer
30	92232124	Spindle
31	40221275	Straight release fitting (with black collar)
	40221276	Straight release fitting (with red collar)
32	40221122	Nylon tubing (black)
	40221123	Nylon tubing (red)
33	92232140	Handle pad washer
34	40221154	Spring for piston operating stem
35	92232142	Piston bore washer
36	92237644	Cup washer for piston operating stem
37	40221152	Piston sleeve
38	92232148	Piston valve body (includes 2 straight release fittings)
39		Cover tube with set screw (for piston valve body)
40		Cover tube with set screw (for release fitting)
41		Wall flange with set screw (for piston valve body cover tube)
42		Wall flange with set screw (for release fitting cover tube)
43		Actuator button wall plate
44		Wall plate
45	F400A-AR-HF	KwikFit valve body only
46	F4600-ARA-HF	KwikFit valve body assembly
47	F500A-AR-HF	KwikFit valve body only
48	F500A-ARA-HF	KwikFit valve body assembly



**TOTAL
MAINTENANCE
SOLUTIONS**

HOUSTON
800/392-5066

ORLANDO
800/327-3022

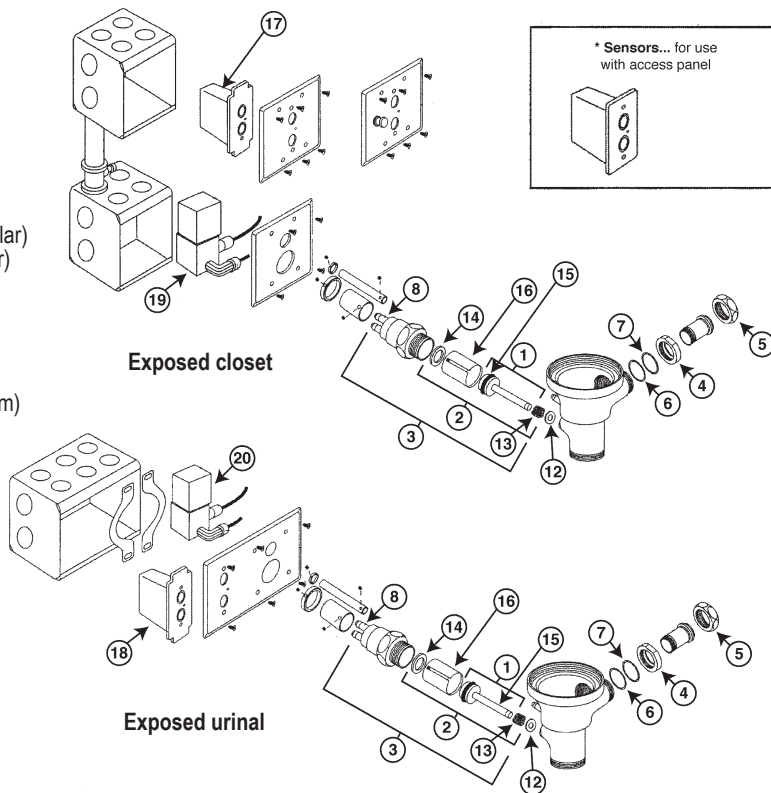
GREENVILLE
800/476-2212

LOOK FOR US ON THE WEB AT: www.TMSSouth.com

FLUSH VALVES

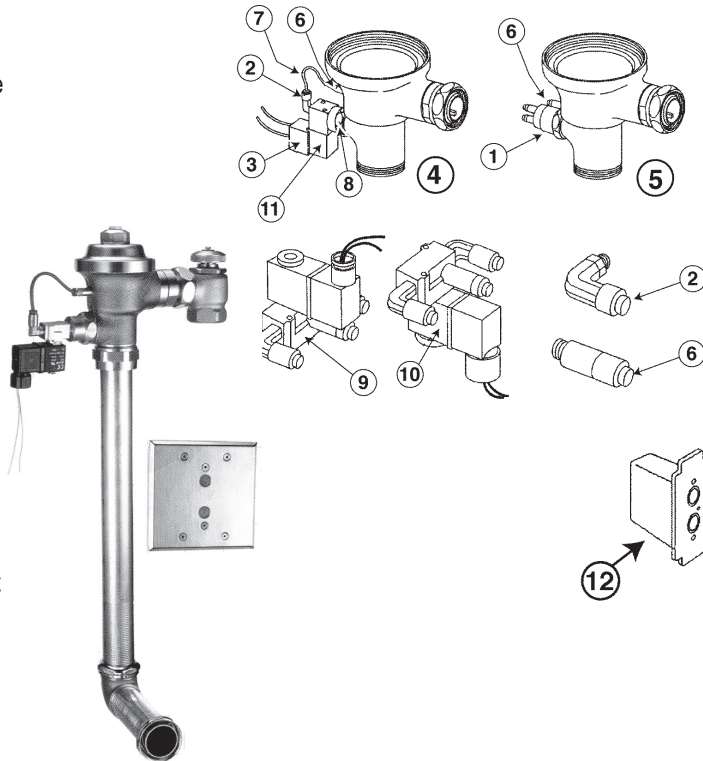
DELANY SENSOR FLUSH – EXPOSED

ITEM	PART #	DESCRIPTION
1	40221180	Piston operating stem assembly
2		Piston internal operating assembly
3		Piston Valve assembly
4	40221019	Clamping nut
5	40221021	Union Nut
6	40950070	"O" ring
7	40221018	Clamping ring
8	40221275	Straight release fitting (with black collar)
9	40221276	Straight release fitting (with red collar)
10	40221122	Nylon tubing (black in color)
11	40221123	Nylon tubing (red in color)
12		Handle pad washer
13	40221154	Spring (for piston operating stem)
14		Piston bore washer
15	92237644	Cup washer (for piston operating stem)
16		Piston sleeve
17	92237632	Sensor for closet
18	40221091	Sensor for urinal
19	40221110	Solenoid



DELANY SENSOR FLUSH – CONCEALED

ITEM	PART #	DESCRIPTION
1		Piston valve body (includes 2 straight release fittings: black)
2	40221108	Elbow release fitting black
	40221109	Elbow release fitting red
3		Conduit hub connector
4		KwikFit valve body assembly (for use without access panel)
5		KwikFit valve body assembly (for use with access panel)
6	40221276	Straight release fitting (with red collar)
	40221275	Straight release fitting (with black collar)
7	40221123	Nylon tubing (red)
	40221122	Nylon tubing (black)
8		Piston valve body
9	40221110	Solenoid valve for exposed flush valve – 110
10		Solenoid valve for concealed flush valve (for use with access panel)
11	40221111	Solenoid valve for concealed valve – 110 volt
12	40221091	Sensor for urinal valve – 110 volt*
	92237632	Sensor for closet valve – 110 volt*



* available in 24 volt



**TOTAL
MAINTENANCE
SOLUTIONS**

HOUSTON
800/392-5066

ORLANDO
800/327-3022

GREENVILLE
800/476-2212

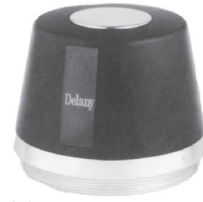
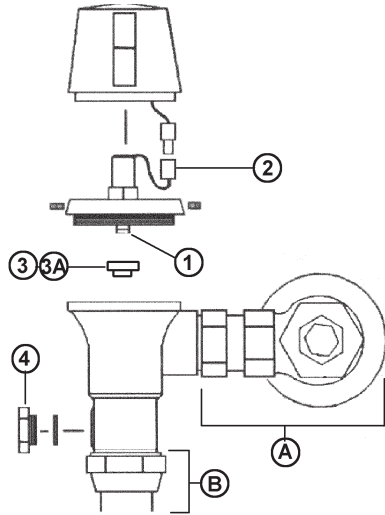
LOOK FOR US ON THE WEB AT: www.TMSSouth.com

FLUSH VALVES

IMPULSE BY DELANY

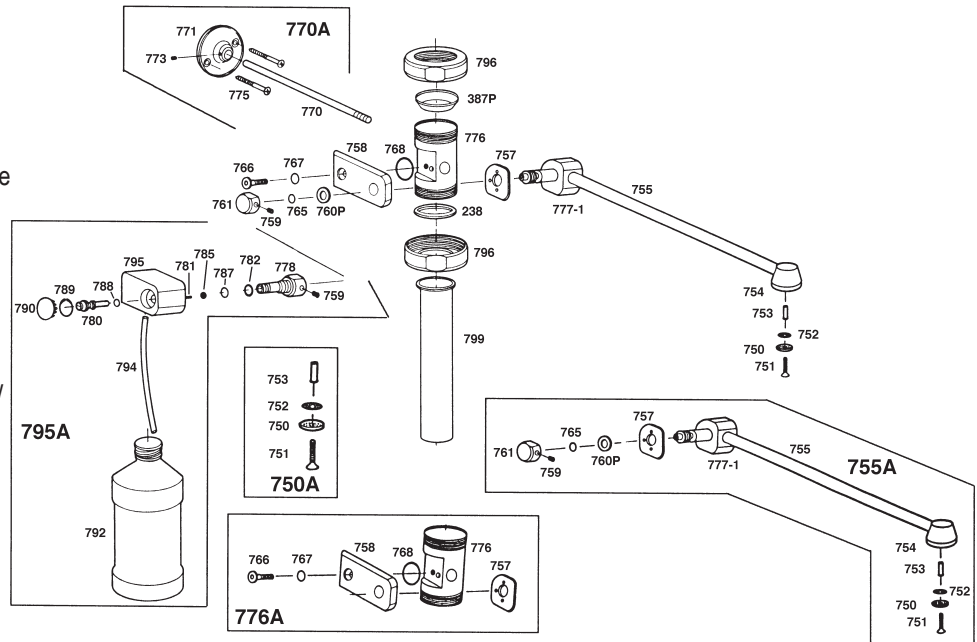
ITEM	PART #	DESCRIPTION
1	40221277	Cup washer
	92231895	Cup washer kit (includes cup washer retainer & cup washer) – not shown
2	40221174	Solenoid
3	40221006	Diaphragm bushing (DELANY units only)
3A	92231802	Diaphragm bushing (SLOAN units only)
4	92231804	Handle nut
	92231806	Handle nut (SLOAN units)
*	40221175	Lithium battery

A For Stop Repair Parts See DELANY Parts
 B For Vacuum Breaker Parts See DELANY Parts



DELANY BEDPAN DIVERTER

ITEM	PART #	DESCRIPTION	ITEM	PART #	DESCRIPTION	ITEM	PART #	DESCRIPTION
238		Coupling washer	778	92239940	Deoseptic spindle nut	789	92239954	Snap ring
387P		Plastic washer	780		Deoseptic regulating screw	790		Deoseptic bottle cap
750	40221192	Spray head disc	781		Bottle block roll pin	792		Deoseptic bottle tube
750A	40221193	Diverter spray head assy.	782	92239946	O-Ring- Deoseptic spindle nut	794		Deoseptic bottle block
751		Spray head screw	785	92239948	Check valve ball	795A	92239906	Deoseptic bottle block assy.
752		Spray head screen	787	92239950	O-Ring -Seoseptic spindle nut	796	92239960	Diverter coupling nut
753	40221196	Spray head spacer	788	92239952	O-Ring for regulating screw	799	92239966	1-1/2" x 7-3/4" tailpiece
754		Diverter arm spray						
755		Diverter arm spray tube						
755A	40221104	Diverter arm spray assy.						
757		Shear plate washer						
758		Diverter body side plate						
759	40221198	Set screw for spindle nut						
760P	40221199	Spindle nut washer, plastic						
761		Blank spindle nut						
765	40950044	O-Ring for spindle						
766	40221202	Side plate screw						
767	40950021	O-Ring for side plate screw						
768	40221204	O-Ring for side plate						
770	40221205	Wall support rod						
770A	92239902	Wall support assembly						
771	40221206	Wall support wall plate						
777-1		Diverter arm pivot block						
773		Wall plate set screw						
775		Wall plate screw						
776		Diverter body						
776A	40221211	Diverter body assembly						



**TOTAL
 MAINTENANCE
 SOLUTIONS**

HOUSTON
 800/392-5066

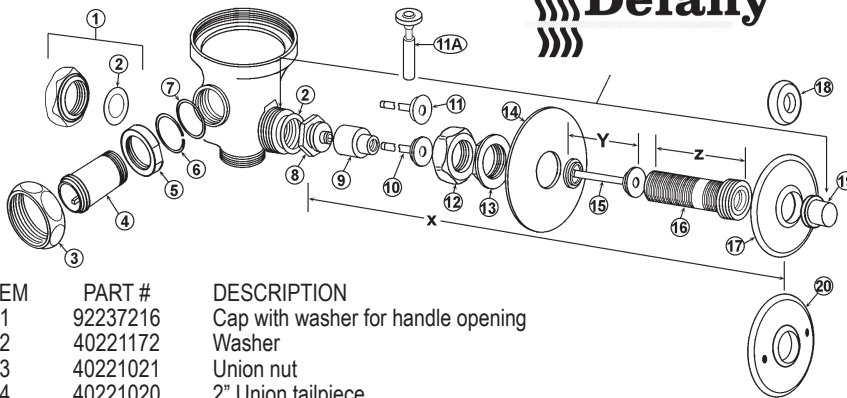
ORLANDO
 800/327-3022

GREENVILLE
 800/476-2212

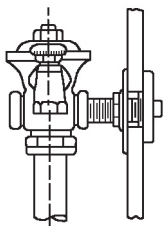
LOOK FOR US ON THE WEB AT: www.TMSSouth.com

FLUSH VALVES

DELANY CONCEALED VALVE HANDLE PARTS



ITEM	PART #	DESCRIPTION
1	92237216	Cap with washer for handle opening
2	40221172	Washer
3	40221021	Union nut
4	40221020	2" Union tailpiece
5	40221019	Clamping nut
6	40221018	Clamping ring
7	40950069	O-ring
8	40221280	Wall sleeve bushing
9	40221089	Flexer
10	40221101	Operating stem 3-1/32" long
11	40221086	Operating stem 2-29/32" long
11A	40221080	Auxiliary valve – non hold open (use with item 11)
12	40221281	Coupling nut
13	40221282	Locknut
14	40221267	Bearing plate
15		Wall sleeve spacer (specify "Y" in inches)
16		Wall sleeve (specify "z" in inches)
17		Wall sleeve (for use w/ 1/2" push button – specify "z")
18	40221283	Wall flange (for use w/ disc handle or foot pedal)
19	40221284	Wall flange (for use with 1/2" button only)
20		Sink flange (for use w/ 1/2" button only)
21		1/2" push button use w/ concealed valves only
		Wall flange (use w/ access panel)
		Handle assembly – specify 1/2" push button, 3" oscillating disc, pedal assembly or regular handle assembly. Specify CTFP*



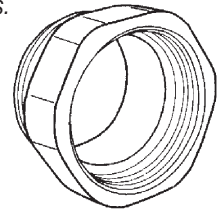
*Standard CTFP (centerline of valve to finished face of wall) is 2-3/4" plus actual wall thickness rounded to next higher even inch. Special CTFP measurements available in 1/2" increments.

Example: 4" block wall + 2-3/4" = 6-3/4" CTFP

GROUND JOINT ADAPTER

Adapts ground joint stops to valves with adjusting tailpieces.

PART # 40221183

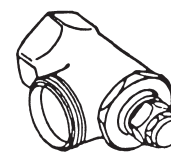


PRISON WARE - CHINA AND STAINLESS STEEL FIXTURES

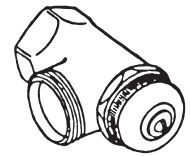


See our Security Fixtures & Repair Parts Catalog or call us with your requirements

DELANY COMPLETE CONTROL STOPS



SCREWDRIVER OPERATED

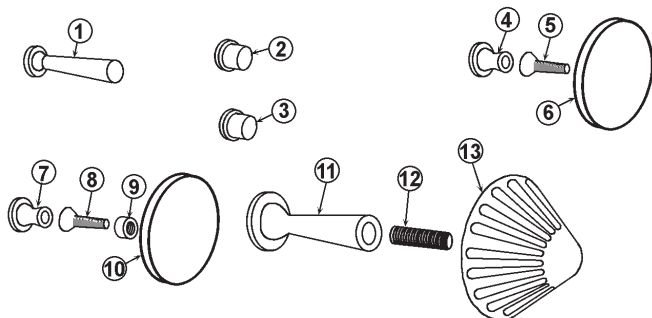


WHEEL HANDLE OPERATED

PART #	DESCRIPTION
40221093	3/4" Angle stop, SD
40221094	1" Turn-to-Silence angle stop, SD
92234105	1" Wheel handle angle stop

DELANY ACTUATORS FOR FLUSHBOY VALVE

For use with both concealed and exposed valves, except as noted.



ITEM	PART #	DESCRIPTION
1	40221012	Handle
2		1/2" pushbutton for exposed valves
3	40221284	1/2" pushbutton for concealed valves
4		Holder for disc
5		Holder screw for disc
6		3" Oscillating disc
7		Holder for disc*
8		Holder screw for disc*
9		Retaining ring for holding screw
10		3" Oscillating disc*
11		Holder for foot pedal
12		Stud for foot pedal
13		Foot pedal



TOTAL MAINTENANCE SOLUTIONS

HOUSTON
800/392-5066

ORLANDO
800/327-3022

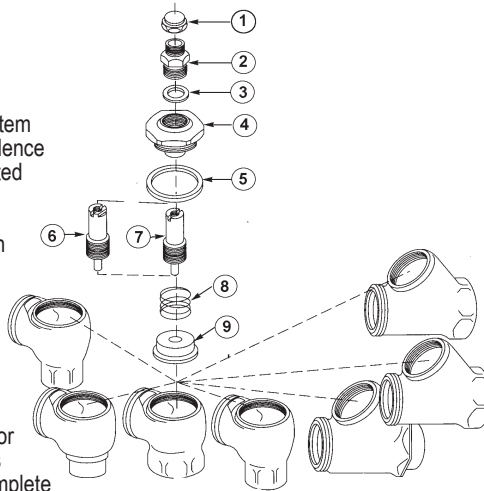
GREENVILLE
800/476-2212

LOOK FOR US ON THE WEB AT: www.TMSSouth.com

FLUSH VALVES

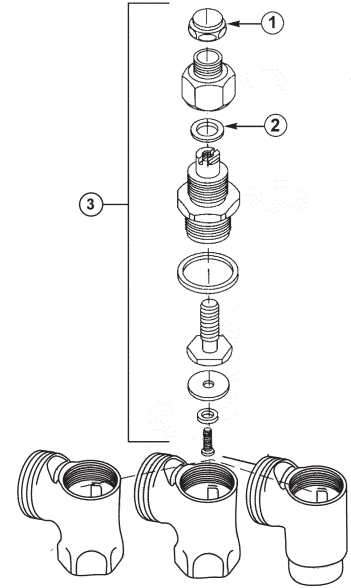
DELANY CONTROL STOP PARTS – TURN-TO-SILENCE OR STRAIGHT STOPS

ITEM	PART#	DESCRIPTION
1	40221043	Protecting cap
2	40221051	Packing nut
3	40221044	Packing for shut off stem
4	40221045	Bonnet for Turn-to-Silence
5	40221046	Bonnet washer (omitted in later production)
6	40221061	Shut off stem Turn-to-Silence (supplied with wheel handle operating mechanism)
7	40221047	Shut off stem Turn-to Silence
8	40221048	Back check spring (added in later production)
9	40221049	Disc w/ metal insert for Turn-to-Silence stops
	40221095	Bonnet assembly complete



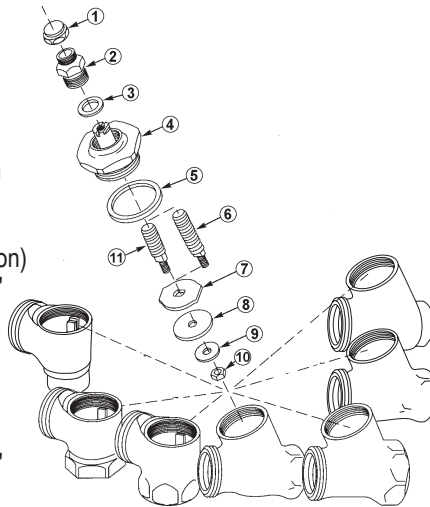
DELANY CONTROL STOP PARTS (OBSOLETE) – 3/4" & 1/2" ANGLE STOPS

ITEM	PART#	DESCRIPTION
1	40221043	Protecting cap
2	40221044	Packing for shut off stem
3	40221058	Complete unit



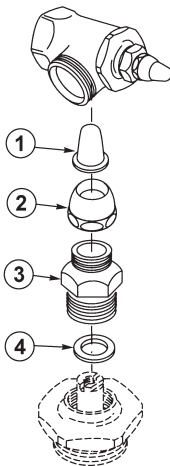
DELANY CONTROL STOP PARTS – ANGLE OR STRAIGHT STOPS

ITEM	PART#	DESCRIPTION
1	40221043	Protecting cap
2	40221051	Packing nut
3	40221044	Packing for shut off stem
4	40221285	Packing nut
5	40221046	Bonnet washer (omitted in later production)
6	40221052	Male shut off stem 1-1/2"
7	40221054	Guide
8	40221286	Seat washer
9	40221056	Washer for shut off stem nut
10	40221057	Nut for shut off stem
11	40221053	Male shut off stem 1-1/4"

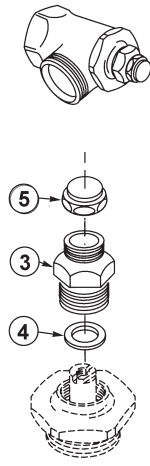


OPERATING MECHANISM VARIATIONS

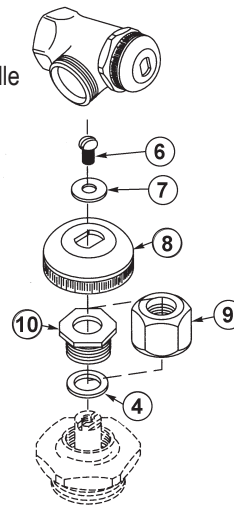
Screwdriver Operated with Seat Bumper



Screwdriver Operated with Protecting Cap



Wheel Handle Operated



ITEM	PART #	DESCRIPTION
1	40221287	Seat bumper
2	40221288	Bumper holder
3	40221051	Packing
4	40221044	Packing nut for shut off stem
5	40221043	Protecting cap
6	40221289	Screw for wheel handle
7	40221290	Washer for wheel handle
8	40221291	Wheel handle
9	92230970	Packing nut
10		



TOTAL MAINTENANCE SOLUTIONS

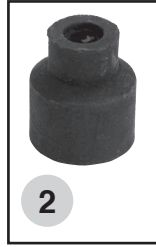
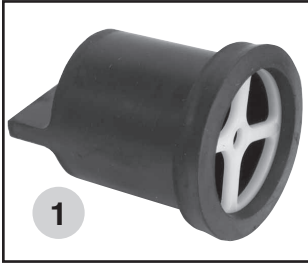
HOUSTON
800/392-5066

ORLANDO
800/327-3022

GREENVILLE
800/476-2212

LOOK FOR US ON THE WEB AT: www.TMSSouth.com

COMMON DELANY FLUSH VALVE REPAIR PARTS



1. VACUUM BREAKER REPAIR KIT 427-A
PART # 40221083

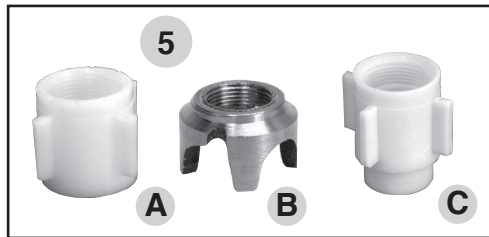
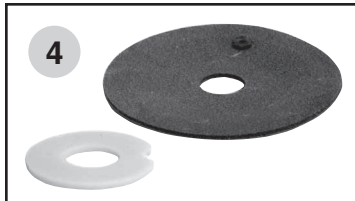
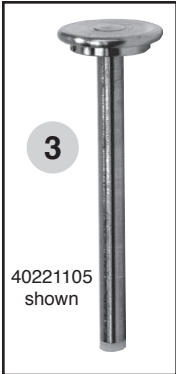
2. FLEXER
PART # 40221015

4. DELANY FLUSHBOY RENEWAL PARTS KITS

Part #	Description
40221107	4.5 gpf closet leather kit
40221173	Urinal leather kit
40221026	4.5 gpf closet neoprene kit
40221027	1.5 gpf urinal neoprene kit
40221065	3.0 closet neoprene kit
40221100	Closet repair kit, vinyl
40221087	Urinal repair kit, vinyl

3. OPERATING STEMS

Part #	Description
40221185	1-11/16" long
40221102	1-13/16" long
40221105	1-7/8" long
40221014	2" long
40221101	3-1/32" long

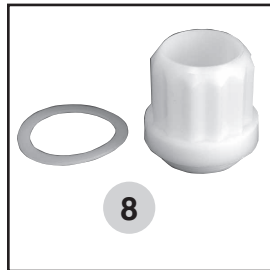
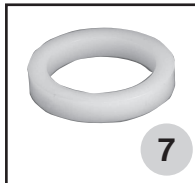
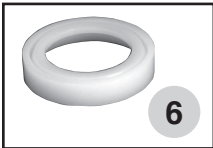


5. SEAT GUIDES

Item	Part #	Description
A.	40221009	For 4.5 closet
B.	40221028	For 1.0 urinal
C.	40221068	For 3.5/1.6 closet

6. CHOKE RING FOR 4.5 GPF VALVES
PART # 40221010

7. CHOKE RING FOR MAIN VALVE SEAT
PART # 40221069

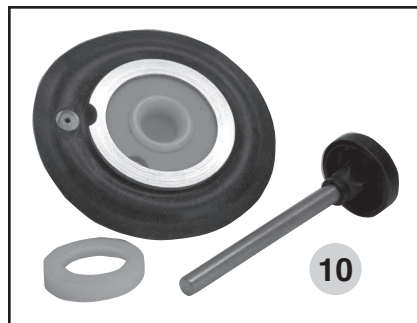


8. MAIN VALVE SEAT

Part #	Description
40221025	4.5 gpf
40221070	3.5 gpf and 1.6 gpf

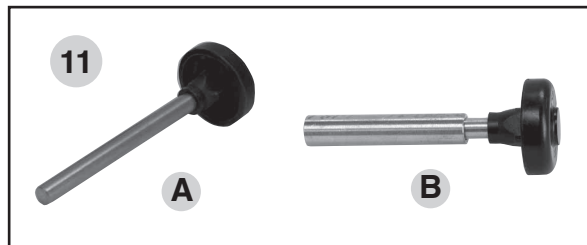
9. DIAPHRAGM ASSEMBLY

Part #	Description
40221072	4.5 gpf
40221073	3.5 gpf



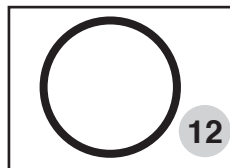
10. CLOSET DIAPHRAGM SUB-ASSEMBLY LESS SEAT

Part #	Description
40221076	4.5 gpf
40221077	3.5 gpf



11. AUXILIARY VALVES

- A. PART # 40221005
- B. NON-HOLD OPEN PART # 40221080

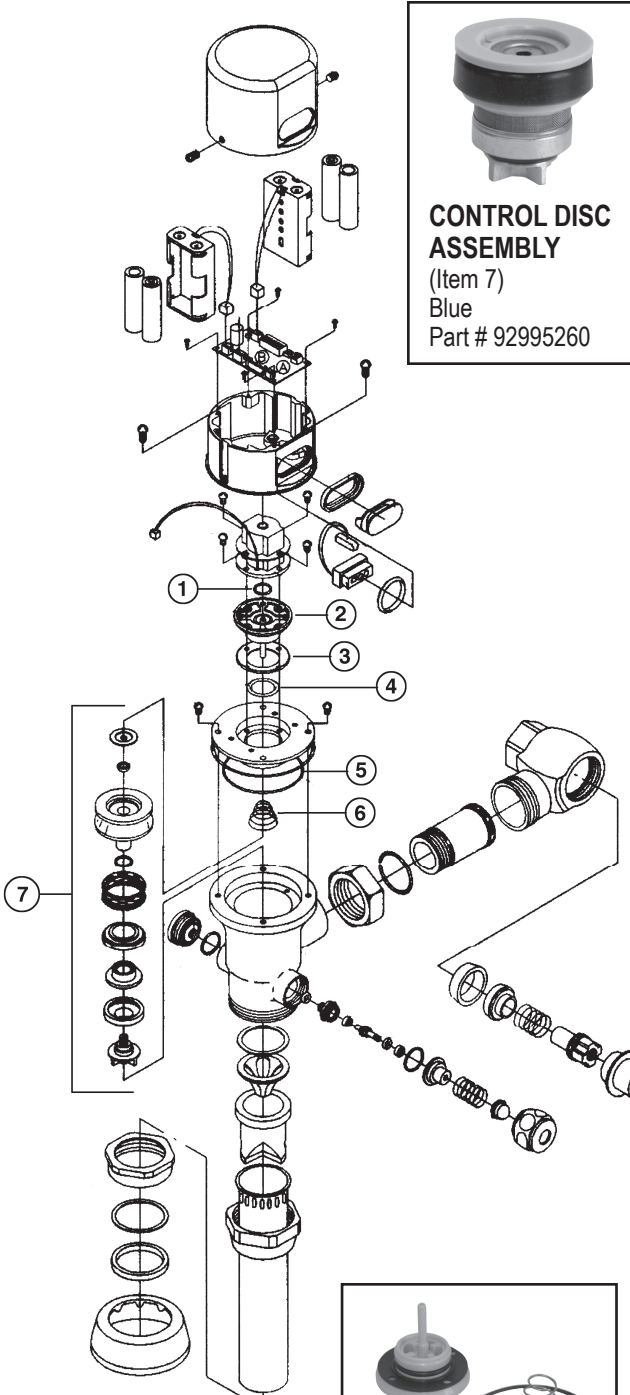


12. O-RING

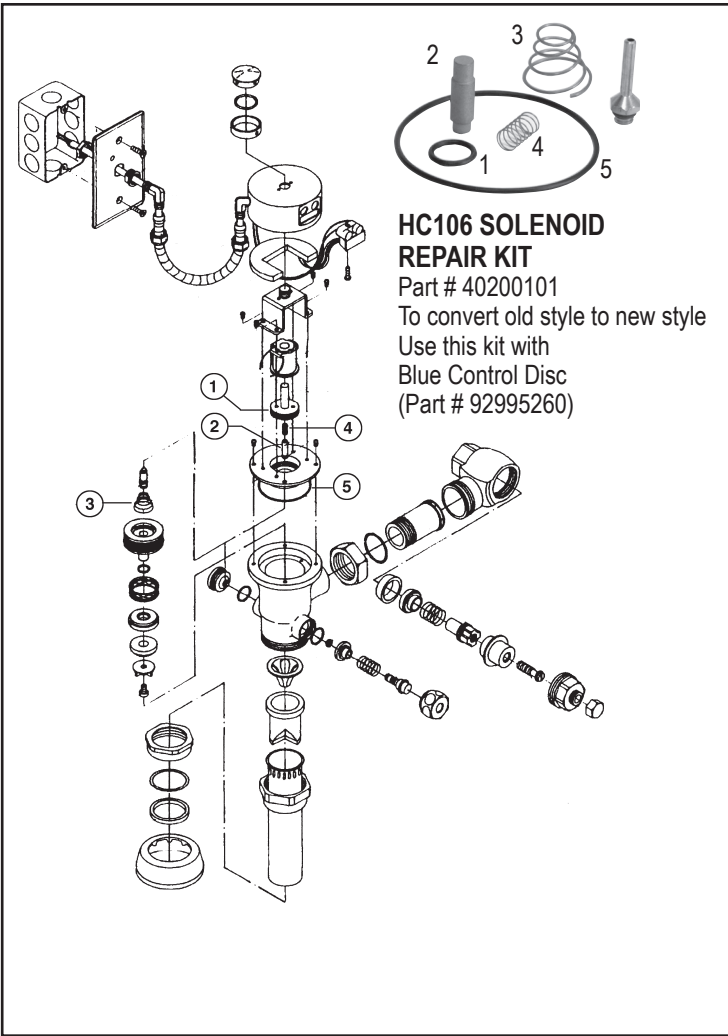
PART # 40950069 (shown actual size)

FLUSH VALVES

HYDROTEK MODEL 8000 FLUSH VALVE (NEW STYLE) REPAIR KITS – AC AND DC



CONTROL DISC ASSEMBLY
(Item 7)
Blue
Part # 92995260



HC106 SOLENOID REPAIR KIT
Part # 40200101
To convert old style to new style
Use this kit with
Blue Control Disc
(Part # 92995260)

HCB106AMC SOLENOID REPAIR KIT (NEW STYLE)
(Items 1-6)
PART # 40200100

HCC100-DC REPAIR KIT
Axis Pin
PART # 40200102

HCC100-AC REPAIR KIT
Axis Pin
PART # 40200103

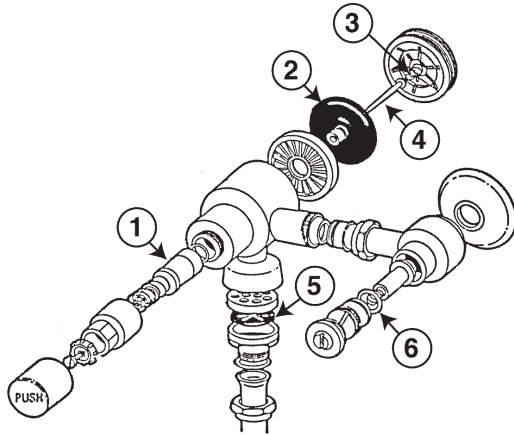
CONTROL DISC ASSEMBLY
Orange
NLA
Use # 92995260 and HCC-100-DC for battery or HCC100-AC for AC

FLUSH VALVES

MANSFIELD TORPEDO FLUSHOMETER VALVE

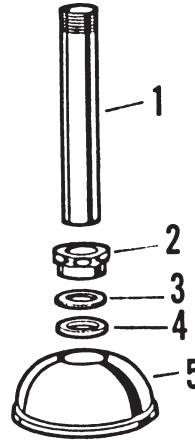
VALVE NO LONGER AVAILABLE

- 91610040 Flush timer - 3/4 gal. (1) (Limited supply)
- 91610041 Flush timer - 1-1/2 gal. (1) (Limited supply)
- 91610042 Service parts kit (items 2, 3, 4, 5, 6)



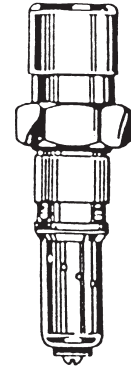
MANSFIELD 190-195 URINAL VALVE CONNECTION PARTS

NO LONGER AVAILABLE - SEE CENTRAL BRASS



MANSFIELD 190-195 URINAL VALVES PUSH BUTTON CARTRIDGE ASSEMBLY

Part # 40201016



COMMON SLOAN FLUSH VALVE REPAIR PARTS



SLOAN REGAL INSIDE PARTS KIT

Part #	Description
40260004	Closet Inside Parts Kit, 4.5 gpf
40261037	Urinal Inside Parts Kit, 1.5 gpf
40261038	3.5 gpf Retro Water Saver Kit
40261041	Closet Inside Parts Kit, 1.6 gpf
40261044	Urinal Inside Parts Kit, 1.0 gpf

40260004 and 40261037 shown



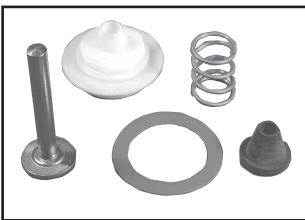
CLOSET & URINAL WASHER SET FOR ROYAL® & REGAL®
Part # 40260009



DUAL PERFORMANCE KITS

Part #	Description
40261121	3.5 gpf, Closet
40261120	1.5 gpf, Urinal

Superior performance. This kit is recommended for use with Water Saver closets installed prior to 1997.

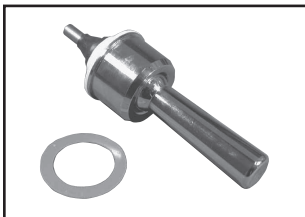


SLOAN B-50-A HANDLE REPAIR KIT
Part # 40262305



40260018 shown

1.5 GPF URINAL PERFORMANCE KIT
Part # 40262027
3.5 GPF CLOSET PERFORMANCE KIT
Part # 40260018



B32A HANDLE ASSEMBLY
Part # 40262279



SCREWDRIVER STOP REPAIR KIT FOR H-540, H-600 & H-700 SERIES CONTROL STOPS

Part #	Description
40201009	1"
40201085	3/4"



TOTAL MAINTENANCE SOLUTIONS

HOUSTON
800/392-5066

ORLANDO
800/327-3022

GREENVILLE
800/476-2212

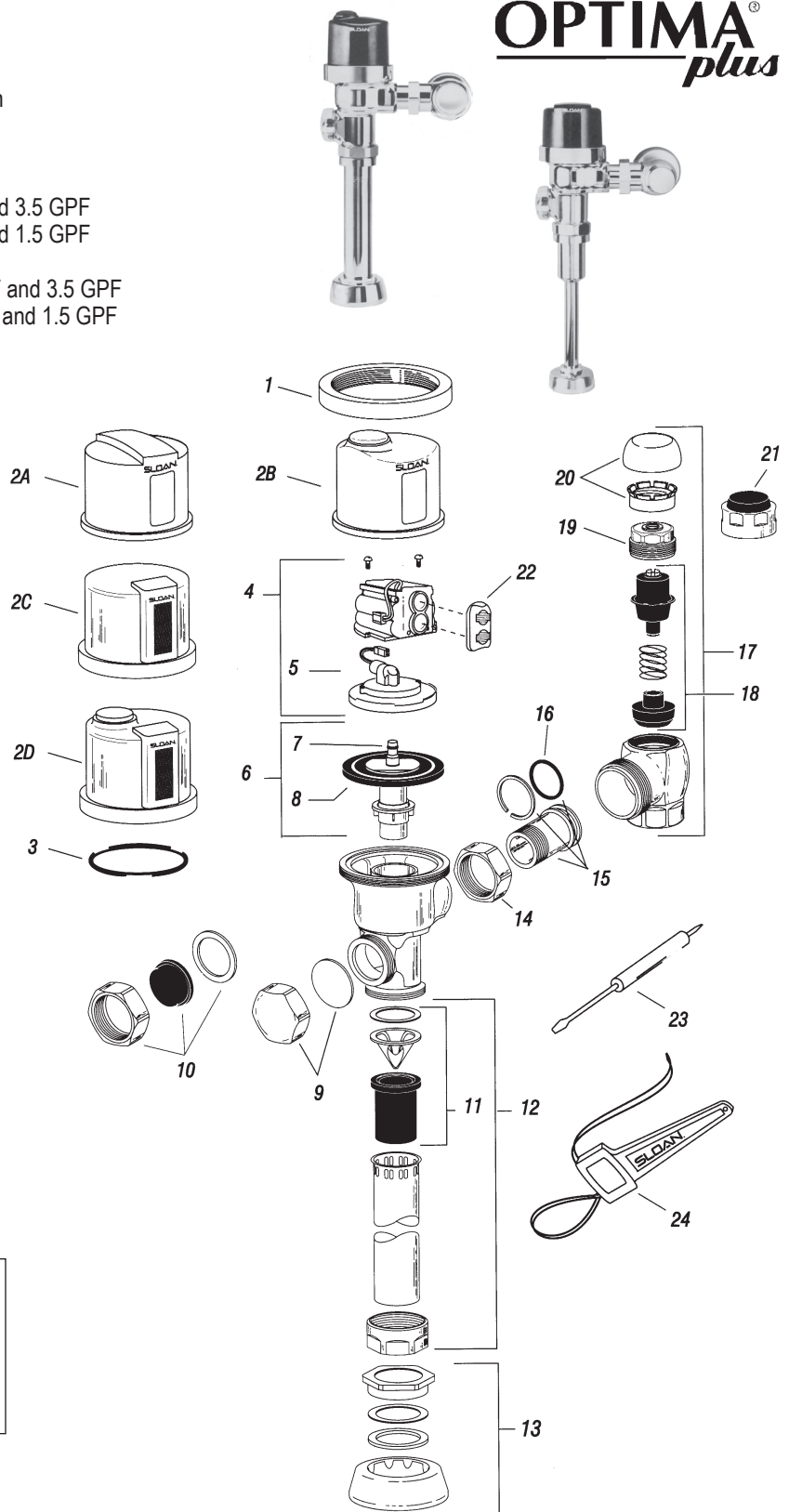
LOOK FOR US ON THE WEB AT: www.TMSSouth.com

FLUSH VALVES

OPTIMA PLUS BY SLOAN

ITEM	PART #	DESCRIPTION
1	40268849	Locking ring
2A	40268850	Plastic cover (urinal)
2B	NLA	Plastic cover w/ override button
2C	40268851	Metal cover (urinal)
2D	40258852	Metal cover w/ override button
3	40260324	Cover gasket
4	40261133	Electronic module, 1.6 GPF and 3.5 GPF
4	40265177	Electronic module, 1.0 GPF and 1.5 GPF
5	40260016	Inside cover w/ solenoid
6*	40265001	Closet inside parts kit, 1.6 GPF and 3.5 GPF
6*	40265000	Urinal inside parts kit, 1.0 GPF and 1.5 GPF
7	40260005	Quad ring
8		Diaphragm
9	40268853	Metal handle cap
10	91788032	Decorative handle cap
11		Vacuum breaker repair kit
12		Vacuum breaker
13		Spud coupling
14	40268854	CP stop coupling
15		CP adjustable tailpiece
16	40950069	O-ring
17		Bak-Chek stop – complete
18		Control stop repair kit
19		CP Bonnet
20	40268855	Vandal resistant control stop cap assembly
21	40268856	Decorative stop cap
22	40268857	Optional beam deflector
23		Screwdriver
24	40268859	Strap wrench

OPTIMA[®] plus



A For Sloan Stop Repair Parts and Kits
See Manually Operated Valves

B For Sloan Vacuum Breaker Repair Parts and Kits
See Manually Operated Valves

* Replaced by new Flex Tube Diaphragm inside parts kit

**Batteries:
When replacement batteries are required use
4 AA alkaline batteries, PART # 64741006

FOR MORE INFORMATION ON
INSTALLING AND MAINTAINING
SLOAN OPTIMA FLUSH VALVES
CONTACT YOUR
TMS SOUTH REPRESENTATIVE.



**TOTAL
MAINTENANCE
SOLUTIONS**

HOUSTON
800/392-5066

ORLANDO
800/327-3022

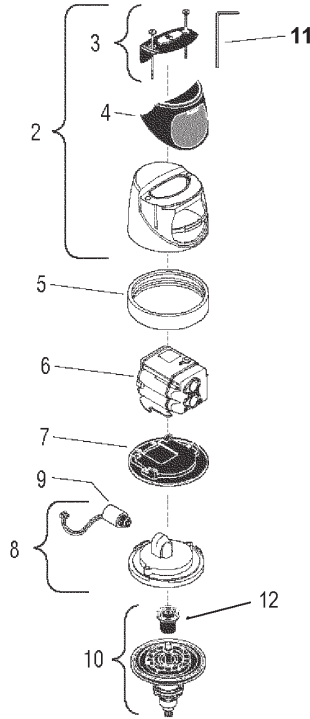
GREENVILLE
800/476-2212

LOOK FOR US ON THE WEB AT: www.TMSSouth.com

FLUSH VALVES

SLOAN OPTIMA G2 PLUS SENSOR MODULE COMPONENT PARTS

ITEM	PART #	DESCRIPTION
2	91785168	Cover assembly
3	40268861	Override button assembly (includes screws & hex wrench)
4	40268862	Eye cover plate (EBY-131)
5	40268849	Locking ring
	40265524	Locking ring for Zurn valves
6	40261290	G2 electronic module – water closet
	40265451	G2 electronic module – urinal
9	40261360	Isolated solenoid (for G2 modules only)
10		Flex tube diaphragm kit
11		Hex wrench
12		Regulator (specify color)



HANDS FREE RETRO KIT

COLOR	PART #	DESCRIPTION
	40261023	Urinal – .5 GPF
Green	40265000*	Urinal – 1.0 GPF
Black	40265000*	Urinal – 1.5 GPF
White	40255001†	Urinal – 3.5 GPF
Green	40265001†	Closet – 1.6 GPF
	40265014	Closet – 2.4 GPF
White	40265001†	Closet – 3.5 GPF

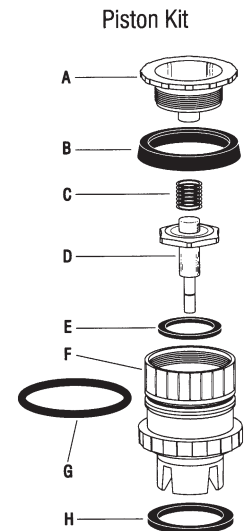
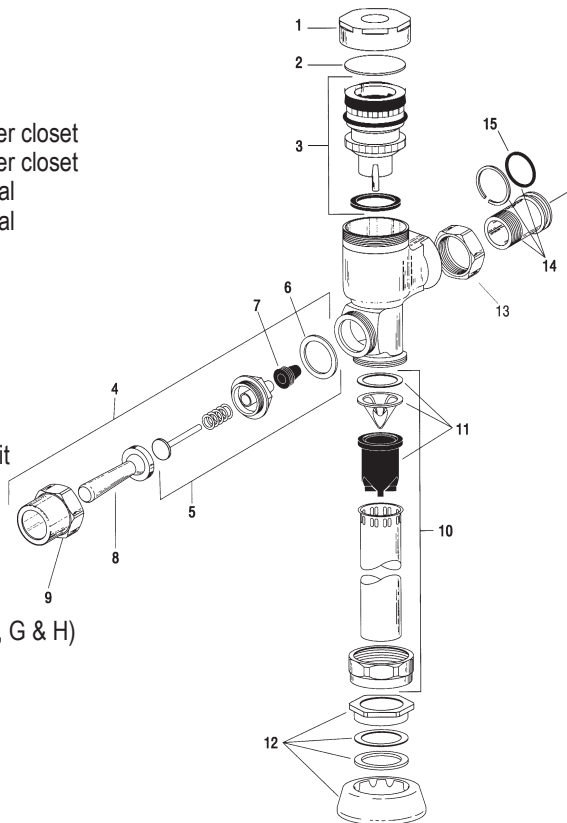
Part numbers marked * or † include parts for each size.



OLD STYLE
Replace with above

SLOAN GEM 2

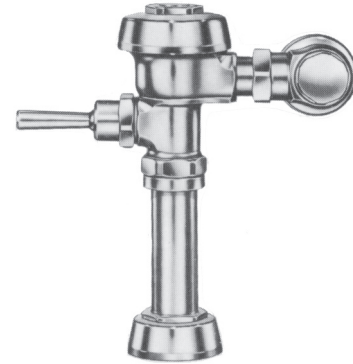
ITEM	PART #	DESCRIPTION
1		CP cover
2	91787139	Slip disc
3	91787193	Piston kit – 3.5 GPF water closet
	91787195	Piston kit – 1.6 GPF water closet
	91787192	Piston kit – 1.5 GPF urinal
	91787185	Piston kit – 1.0 GPF urinal
4	91787070	Handle assembly
5	91787074	Handle repair kit
6		Handle gasket
7	40262297	Handle seal
8		Handle grip
9		Handle socket
10	40201005	Vacuum breaker
11		Vacuum breaker repair kit
12		Spud coupling
13	40268676	Stop coupling
14	40268801	Adjustable tailpiece
15	40950069	O-ring
	91787128	GEM 2 repair kit (includes 2, 6, 7, B, C, E, G & H)
	40261077	Piston kit – closet
	40261072	Piston kit – urinal



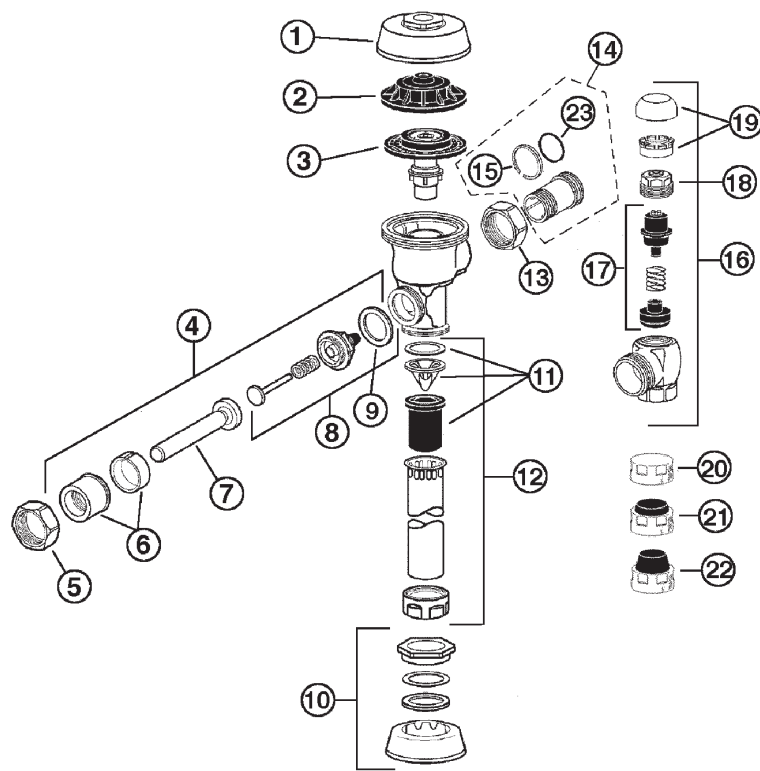
FLUSH VALVES

SLOAN ROYAL (DIAPHRAGM TYPE) FLUSH VALVE

SLOAN®



ITEM	PART #	DESCRIPTION
1	40261172	CP Cover – Royal
2	40261124	Inside cover
3		Dual filtered diaphragm assembly (see inset)
4	40262002	ADA compliant triple seal handle assembly
5	40261082	CP Handle coupling
6	40262109	CP socket assembly
7	40262274	CP ADA compliant handle
8	40261011	Triple seal handle repair kit
9	40261139	Handle gasket
10	40266125	Spud coupling assembly, 3/4"
	40266140	Spud coupling assembly, 1-1/4"
	40266146	Spud coupling assembly, 1-1/2"
11	40263183	High back pressure vacuum breaker repair kit
12		See page 11-24 for complete listing of sizes
13	40268676	CP stop coupling
14	40268801	CP Adjustable Tailpiece 2-1/16" standard length
15	40268381	Locking ring
16		1" CP Bak Chek Screwdriver Stop
		3/4" CP Bak Chek Screwdriver Stop
17	SEE	Control stop repair kit (1" and 3/4" H-700-A and 1" H-600-A Bak Chek screwdriver control stop)
	PAGES	Control stop repair kit (3/4" H-600-A Bak Chek screwdriver control stop)
18	11-25 &	CP Bonnet (1" and 3/4" H-700-A and 1" H-600-A Bak Chek screwdriver control stop)
	11-26	CP Bonnet (3/4" H-600-A Bak Chek screwdriver control stop)
19	FOR	Vandal resistant control stop cap assembly (1" and 3/4" H-700-A and 1" H-600-A Bak Chek screwdriver control stop)
	STOPS	Vandal resistant control stop cap assembly (3/4" H-600-A Bak Chek screwdriver control stop)
20		Control stop cap CP (1" and 3/4" H-700-A and 1" H-600-A Bak Chek screwdriver control stop)
		Control stop cap CP (3/4" H-600-A Bak Chek screwdriver control stop)
21		Control stop cap with bumper (1" and 3/4" H-700-A and 1" H-600-A Bak Chek screwdriver control stop)
22		Control stop cap with extended bumper (3/4" H-600-A Bak Chek screwdriver control stop)
23	40950069	O-ring



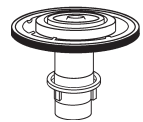
SLOAN ROYAL PERFORMANCE REPAIR PARTS

**HIGH BACK PRESSURE
VACUUM BREAKER REPAIR KIT**
PART # 40263183

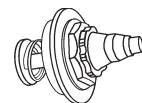


**FIXED DUAL FILTERED
DIAPHRAGM ASSEMBLY**

- .5 gpf PART # 91781095
- 1.0 gpf PART # 40261123
- 1.5 gpf PART # 40261120
- 1.6 gpf PART # 40261122
- 3.5 gpf PART # 40261121



**TRIPLE SEAL HANDLE
REPAIR KIT**
PART # 40261011



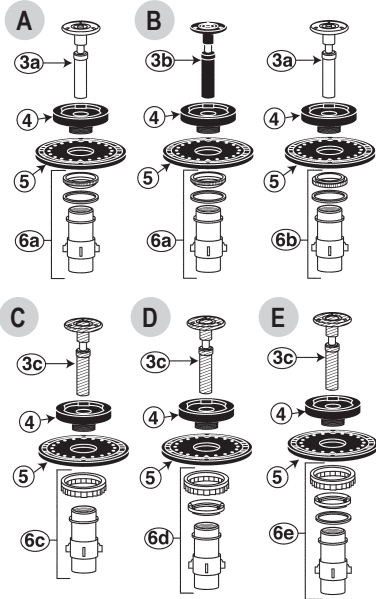
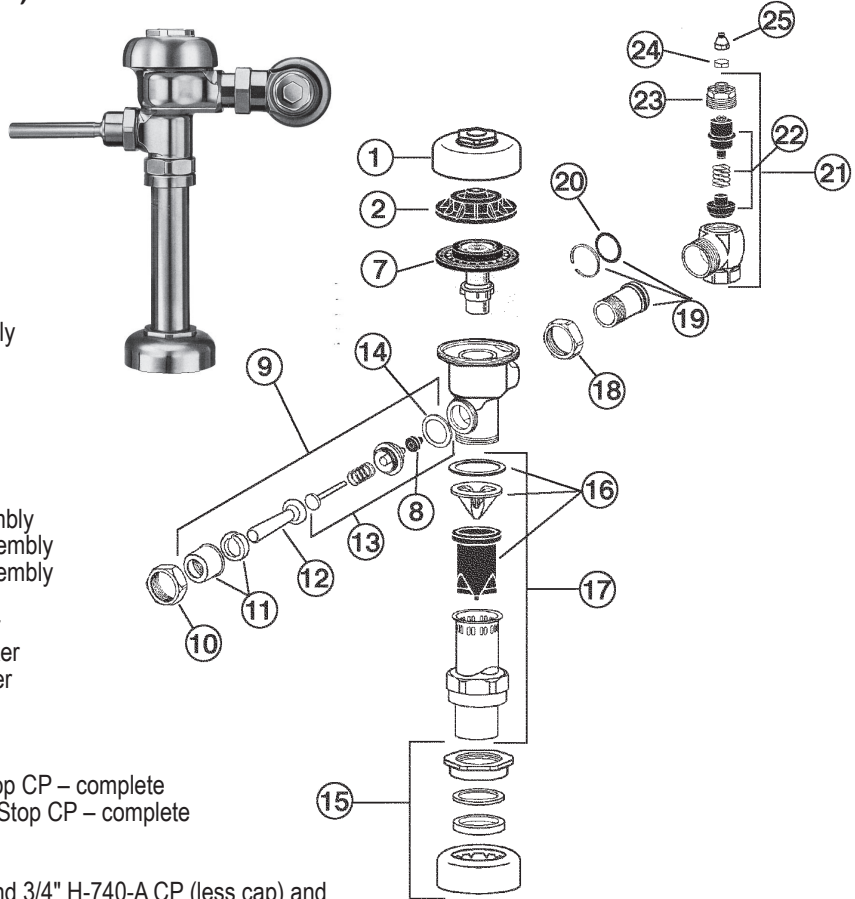
SLOAN ROYAL PERFORMANCE KIT
(includes individual repair kits and tailpiece o-ring)

- 3.5 gpf PART # 40260018
- 1.5 gpf PART # 40262027

FLUSH VALVES

**SLOAN REGAL (DIAPHRAGM TYPE)
FLUSH VALVE**

ITEM	PART #	DESCRIPTION
1	40260321	CP cover
2	40261124	Inside cover
3		Relief valve (see inset)
4		Disc (see inset)
5		Diaphragm (see inset)
6		Guide assembly (see inset)
7		Inside parts kit
8		Seal
9	40262279	CP handle assembly
	40262002	CP handicap handle assembly
10	40261082	CP handle coupling
11	40262109	CP socket assembly
12	40262274	CP handle grip
		CP handicap handle grip
13	40262305	Handle repair kit
14	40261139	Handle gasket
15	40266125	3/4" CP spud coupling assembly
	40266140	1-1/4" CP spud coupling assembly
	40266146	1-1/2" CP spud coupling assembly
16	40201005	Vacuum breaker repair kit
17	40263005	3/4" x 9" CP vacuum breaker
	40263006	1-1/4" x 9" CP vacuum breaker
	40261040	1-1/2" x 9" CP vacuum breaker
18	40268676	CP stop coupling
19	40268801	CP adjustable tailpiece
20	40950069	O-ring
21	40268029	1" Screwdrive Bak Chek® Stop CP – complete
	40268031	3/4" Screwdriver Bak Chek® Stop CP – complete
22	40201009	1" Control stop repair kit
	40261085	3/4" Control stop repair kit
23		CP bonnet (for use with 1" and 3/4" H-740-A CP (less cap) and 1" H-540-a CP (with H-37 cap) Bak Chek® screwdriver control stops
		CP bonnet (for use with 3/4" H-740-A CP Bak Chek® screwdriver control stops
24	40268156	CP cap
25	91783635	Bumper assembly



INSIDE PARTS KITS
(Item #7 above)

ITEM	PART #	DESCRIPTION
A	40260004	4.5 gpf, closet
B	40261037	1.5 gpf, urinal
C	40261038	3.5 gpf, closet
D	40261041	1.6 gpf, closet
E	40261044	1.0 gpf, urinal

INSIDE PARTS COMPONENTS

ITEM	PART #	DESCRIPTION
3a	40261129	Relief valve, white (closet)
3b	40260415	Relief valve, black (urinal)
3c	40261127	Relief valve, green (closet/urinal)
4	40260234	Disc
5	40261161	Diaphragm
6a	40201004	Guide assembly, 4.5 gpf
6b	40201004	Guide assembly, 3.5 gpf
6c	40268864	Guide assembly, 1.6 gpf
6d	40268865	Guide assembly, 1.0 gpf
6e	91781077	Guide assembly, 0.5 gpf

MASTER FLUSHOMETER REBUILD KITS ALSO AVAILABLE



**TOTAL
MAINTENANCE
SOLUTIONS**

HOUSTON
800/392-5066

ORLANDO
800/327-3022

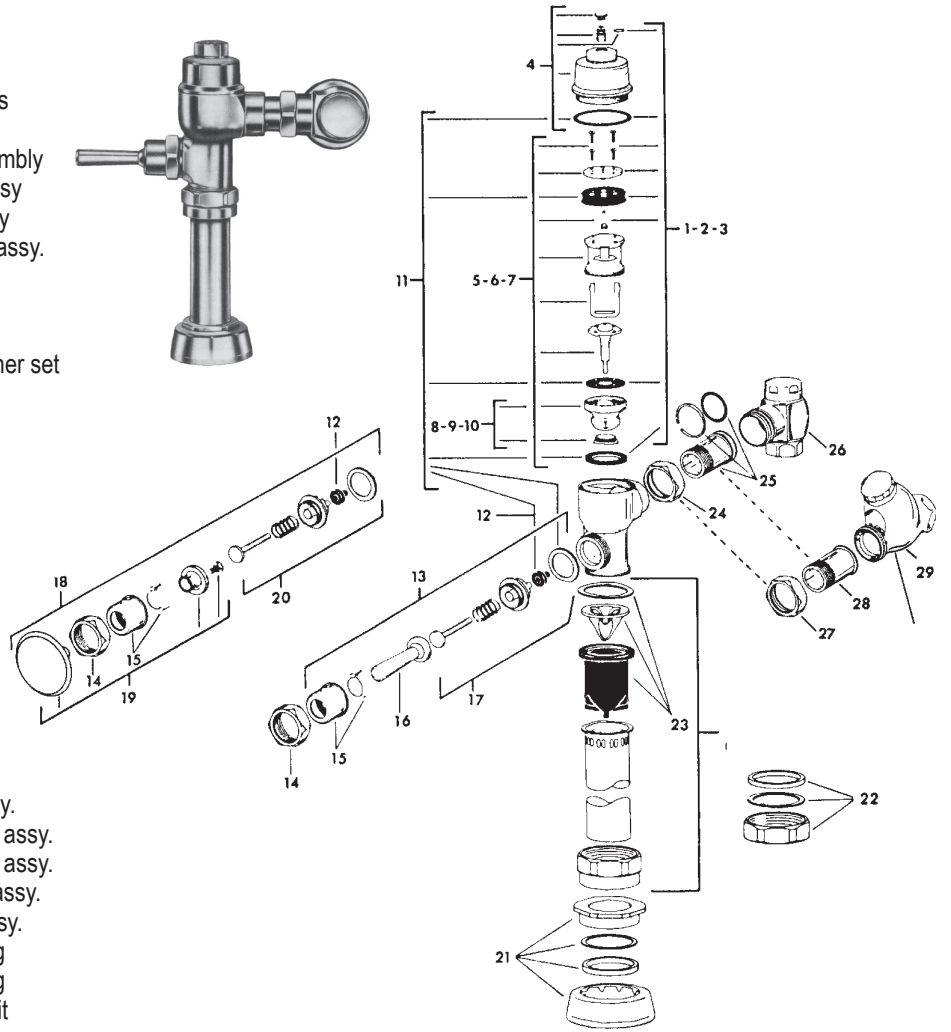
GREENVILLE
800/476-2212

LOOK FOR US ON THE WEB AT: www.TMSSouth.com

FLUSH VALVES

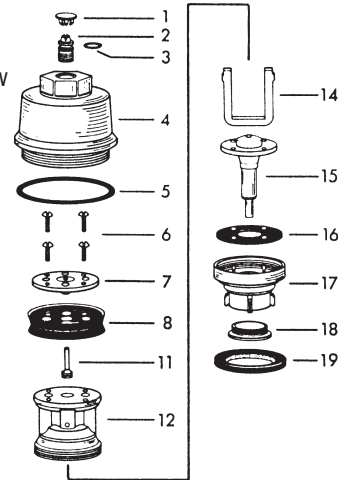
SLOAN CROWN (PISTON TYPE) FLUSH VALVE

ITEM	PART #	DESCRIPTION
1	40268866	Urinal inside parts kit
2	40268866	Closet inside parts kit
3	40268867	Shower valve inside parts kit. (hot water)
4	40268868	CR-74-A CP cover assembly
5	40261163	S-60-AU Urinal piston assy
6	40260019	K-60-A Closet piston assy
7	40268869	S-60-AG Shower piston assy.
8	0301185	K-123-A Closet guide
9	40268871	S-43-A Urinal guide
10	40268872	S-43-A Shower guide
11	40268873	Crown/Naval closet washer set
12	40262297	Handle seal
13	40262279	Handle assembly
14	40261082	Handle coupling
15	40262109	CP Socket
16	40262274	CP Grip
17	40262305	Handle repair kit
18	40268874	3" CP Push button assembly
19	40268875	3" CP Push button replacement kit
20	40263396	3" CP Push button repair kit
21	40261125	3/4" CP Spud coupling assy.
	40261053	1" CP Spud coupling assy.
	40266140	1-1/4" CP Spud coupling assy.
	40266146	1-1/2" CP Spud coupling assy.
22	40268876	3/4" CP Outlet coupling assy.
	40268877	1" CP Outlet coupling assy.
	91787002	1-1/4" CP Outlet coupling
	40268879	1-1/2" CP Outlet coupling
23	40201005	Vacuum breaker repair kit
24	40268676	CP Stop coupling
25	91006012	CP adj. ttpc. 2-1/16" long
26	40268757	1" SD Bak-Chek CP control stop
	40268025	3/4"SD Bak-Chek CP control stop
27	40261003	CP Stop coupling GJ
28	40261004	CP Ground joint ttpc. 1-3/4" long
29	40261005	1" SD Bak-Chek CP stop GJ
30	40221125	Cowl nut
31	40261059	3/4" SJ washer
	40950107	1-1/4" SJ washer
	40950008	1-1/2" SJ washer



CROWN PISTON INSIDE PARTS

ITEM	PART #	DESCRIPTION
1	40268880	Cover button
2	40268881	Crown regulating screw
3		CR-70 O-ring
4		CR-74 Cover
5	40268882	Cover gasket
6	40268883	Top plate screws
7	40268884	Crown top plate
8	40268885	Crown molded cup
11	91782016	Xpelor
12	40268886	CR-60 piston body
14	40268887	Safety bar
15	40268888	Crown relief valve
16	40268889	Relief valve seat
17		Closet /Urinal guide
18		Restriction ring
19	40268890	Closet Main seat
	40268891	Urinal Main seat



**TOTAL
MAINTENANCE
SOLUTIONS**

HOUSTON
800/392-5066

ORLANDO
800/327-3022

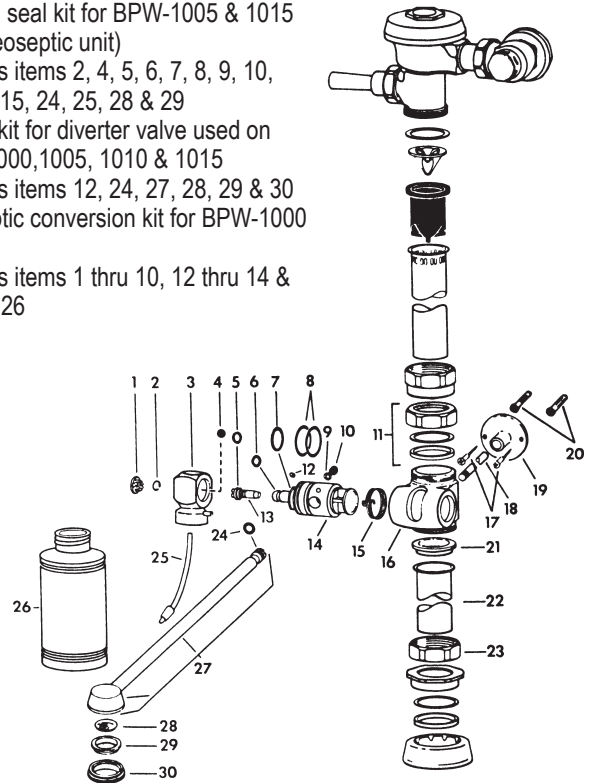
GREENVILLE
800/476-2212

LOOK FOR US ON THE WEB AT: www.TMSSouth.com

FLUSH VALVES

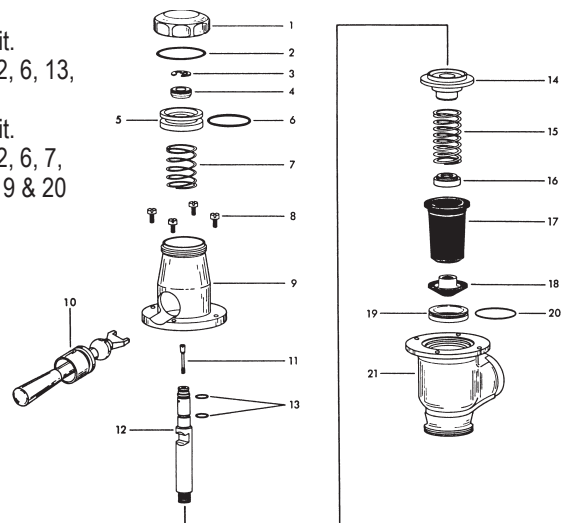
SLOAN SLIMLINE BEDPAN WASHER REPAIR PARTS

ITEM	PART #	DESCRIPTION	REPAIR KITS	PART #	DESCRIPTION
1	40268892	CP plug button			
2	40268893	Retaining ring		40261118	"O" ring seal kit for BPW-1000 & 1010 (less deoseptic unit)
3	91782360	Swivel & ball check assembly			
4	40268894	Ground rubber ball			
5	91782354	"O" ring		40268914	"O" ring seal kit for BPW-1005 & 1015 (with deoseptic unit)
6	91782350	"O" ring			
7	40268895	"O" ring			
8	91782134	Diverter "O" ring (2 required)			
9	40268896	Diverter valve seal washer		40261164	Repair kit for diverter valve used on BPW-1000,1005, 1010 & 1015
10	40268897	Diverter valve seal			
11	40268879	1-1/2" S.J. coupling assembly			
12	40268898	Set screw		91782380	Deoseptic conversion kit for BPW-1000 & 1010
13	40268899	Adjusting screw			
14	40268900	Deoseptic unit nozzle pivot			
15	40268901	Counter balance spring			
16	40268902	CP deoseptic body			
17		#10 wood screw			
18	40268904	CP support rod			
19	40268905	CP wall flange w/set screw			
20	40268906	5/16" OD anchor			
21	91782358	Outlet tube gasket			
22	91782376	CP outlet tube			
23	40800036	1-1/2" coupling outlet			
24	91782326	"O" ring			
25	91782374	Aspirator tube assembly			
26	40268908	Deoseptic bottle			
27	NLA	Nozzle & tube assembly - Order replacement kit 40261164			
28	40268909	Nozzle screen			
29	40268910	Nozzle spray disc			
30	40268911	Spray disc retainer			



SLOAN DOLPHIN FLUSH VALVE REPAIR PARTS

ITEM	DESCRIPTION	REPAIR KITS	PART #	DESCRIPTION
1	NP cover nut			
2	"O" ring		40268912	Dolphin repair kit. Contains items 2, 6, 13, 17 & 18
3	Retaining ring			
4	Stem nut			
5	Piston with o-ring		40268913	Dolphin repair kit. Contains items 2, 6, 7, 13, 15, 17, 18, 19 & 20
6	"O" ring			
7	Piston spring			
8	CP cover screw (4 required)			
9	NP upper body			
10	NP handle & socket			
11	Regulating screw			
12	RB stem			
13	"O" ring (2 required)			
14	RB bushing			
15	Compression spring			
16	RB insert			
17-18	Flex-sac assembly			
19-20	Seat assembly			
21	NP lower body			



HOUSTON
800/392-5066

ORLANDO
800/327-3022

GREENVILLE
800/476-2212

LOOK FOR US ON THE WEB AT: www.TMSSouth.com

FLUSH VALVES

SLOAN HANDLE REPAIRS (EXPOSED)

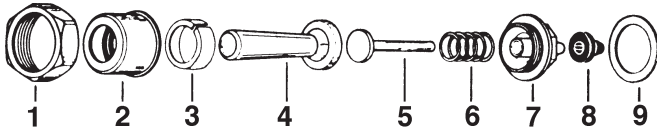


SLOAN HANDLE WITH SANIGUARD®
 Antimicrobial protection from CHG
 Part # 40261391



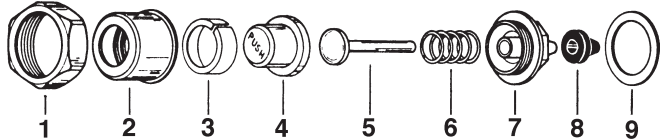
HANDLE FOR EXPOSED ROYAL, CROWN

ITEM	PART #	DESCRIPTION
1	40261082	CP coupling
2-3	40262109	Handle socket
2-9	40262279	CP Handle assembly
4	40262274	Handle grip
5		Plunger
6		Spring
7		Bushing
8	40262297	Handle seal
9	40261139	Handle gasket
5-9	40262305	Handle repair kit
	40261011	New style ADA handle repair kit



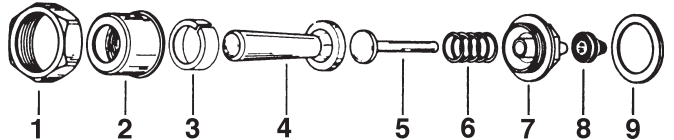
PUSH BUTTON FOR EXPOSED ROYAL & CROWN

ITEM	PART #	DESCRIPTION
1	40261082	CP coupling
2-9	91785035	Push button assembly
5-9	40262305	Push button repair kit
2-3	40262109	CP socket
4	40261025	Index push button
5		Plunger
6		Spring
7		Bushing
8	40262297	Handle seal
9	40261139	Handle gasket



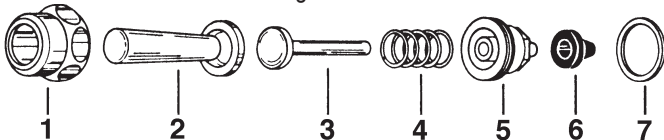
HANDLE FOR EXPOSED NAVAL

ITEM	PART #	DESCRIPTION
1	40261082	CP coupling
2-3	40262109	Handle socket
2-9	91783010	Handle assembly
4	40262274	CP grip
5		Plunger
6		Spring
7		Bushing
8	40262297	Handle seal
9	40261139	Handle gasket
5-9	40262305	Handle repair kit



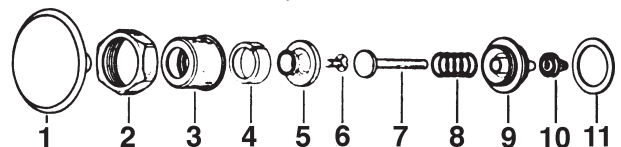
HANDLE FOR GEM

ITEM	PART #	DESCRIPTION
1-7	40268915	CP handle assembly
1		CP socket
2	0307067	CP grip
3		Plunger
3-7	40268916	Handle repair kit
4		Spring
5		Bushing
6	40262297	Handle seal
7	91783515	Handle gasket



3" PUSH BUTTON FOR EXPOSED ROYAL & CROWN

ITEM	PART #	DESCRIPTION
1-11	40268874	3" Push button assembly
1	40268875	3" Push button (includes 5 & 6)
2	40261082	CP coupling
3-4	40262109	CP socket
5		Shank head
6		RB screw
7		Plunger
8		Spring
9		Bushing
10	40262297	Handle seal
11	40261139	Handle gasket
7-11	40263396	Handle repair kit



WE HAVE BATTERIES FOR FLUSH VALVES



AA
 PART # 30100044

C
 PART # 30100057

Lithium (not shown)
 PART # 40221175



TOTAL MAINTENANCE SOLUTIONS

HOUSTON
 800/392-5066

ORLANDO
 800/327-3022

GREENVILLE
 800/476-2212

LOOK FOR US ON THE WEB AT: www.TMSSouth.com

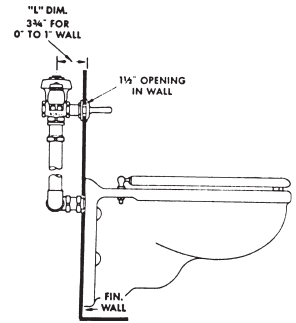
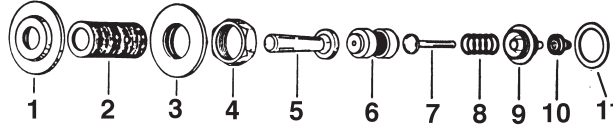
SLOAN HANDLE REPAIRS (CONCEALED)

HANDLE FOR CONCEALED ROYAL & CROWN

ITEM	PART #	DESCRIPTION
1	40261032	CP wall flange 2-3/4" OD
	NLA	CP wall flange 3-1/2" OD
2	see below	Wall socket
3	40261033	RB locknut
4	40261024	RB coupling
5	40262274	CP grip
6	see below	Filler rod
7		Plunger
8		Spring
9		Bushing
10	40262297	Handle seal
11	40261139	Handle gasket

ITEM PART # DESCRIPTION
 7-11 40261026 Handle repair kit
 40262305 Handle repair kit –
 Handle with flanged wall socket

To order items 1-11 (B-12A Handle assembly), please specify the "L" dimension (face of finish wall to center of supply) 4-3/4" thru 14-3/4" in one inch intervals. See chart below.

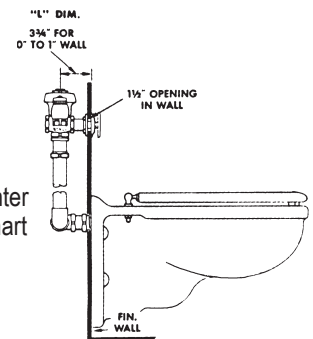
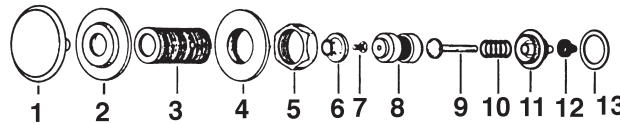


3" PUSH BUTTON FOR CONCEALED ROYAL & CROWN

ITEM	PART #	DESCRIPTION
1	40268875	3" push button (includes 6 & 7)
2	40261032	CP wall flange 2-3/4" OD
	NLA	CP wall flange 3-1/2" OD
4	40261033	RB locknut
5	40261024	RB coupling
6		Shank head
7		Screw
9		Plunger
10		Spring
11		Bushing
12	40262297	Handle seal

ITEM PART # DESCRIPTION
 13 40261139 Handle gasket
 9-13 40261026 Push button repair kit

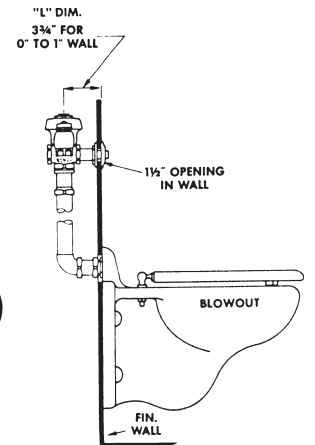
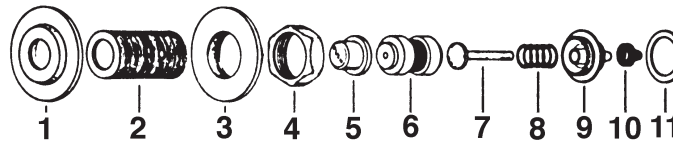
To order items 1-13 (C-43A 3" PB Handle assembly), please specify the "L" dimension (face of finish wall to center of supply) 4-3/4" thru 10-3/4" in one inch intervals. See chart below.



PUSH BUTTON FOR CONCEALED ROYAL & CROWN

ITEM	PART #	DESCRIPTION
1	40261032	CP wall flange 2-3/4" OD
	NLA	CP wall flange 3-1/2" OD
3	40261033	RB locknut
4	40261024	RB coupling
5	40261025	Index push button
7		Plunger
8		Spring
9		Bushing
10	40262297	Handle seal
11	40261139	Handle gasket

To order items 1-11 (C-9A PB Handle assembly), please specify the "L" dimension (face of finish wall to center of supply) 4-3/4" thru 14-3/4" in one inch intervals.



"L" DIMENSION (FACE OF FINISHED WALL TO CENTER OF SUPPLY)

ITEM	DESCRIPTION	4-3/4	5-3/4	6-3/4"	7-3/4	8-3/4	9-3/4	10-3/4	11-3/4	12-3/4	13-3/4	14-3/4
2	B-6-A WALL SOCKET	0302037	0302042	0302050	0302054	0302059	0302063	0302069	0302074	0302077	0302080	0302081
6	B-15-A FILLER ROD	0302197	0302201	0302208	0302211	0302216	0302219	0302223	0302226	0302301	0302232	0302233



TOTAL MAINTENANCE SOLUTIONS

HOUSTON
800/392-5066

ORLANDO
800/327-3022

GREENVILLE
800/476-2212

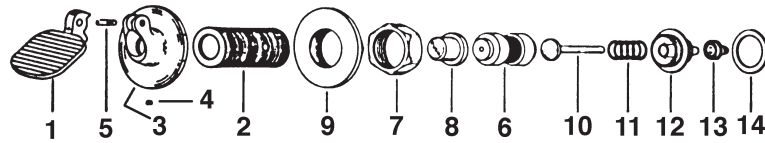
LOOK FOR US ON THE WEB AT: www.TMSSouth.com

FLUSH VALVES

SLOAN HANDLE REPAIRS (PEDAL, EXPOSED AND CONCEALED)

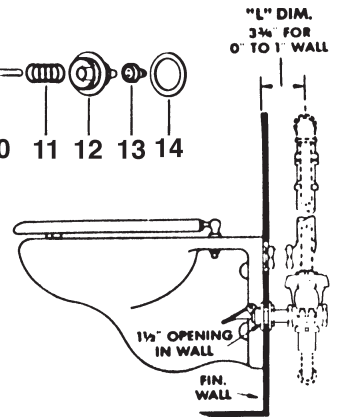
PEDAL PUSH BUTTON FOR CONCEALED ROYAL & CROWN

ITEM	PART #	DESCRIPTION
1	40268917	CP pedal
2	see chart	Wall socket
3-4		CP flange w/set screw
5	91785054	CP screw
6	see chart	Filler rod
7	40261024	RB coupling
8	40261025	Index push button
9	40261033	RB locknut
10		Plunger
11		Spring
12		Bushing
13	40262297	Handle seal
14	40261139	Handle gasket



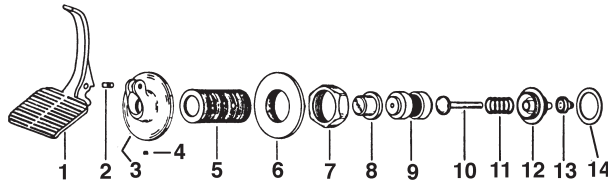
PART #	DESCRIPTION
40261026	Handle repair kit (items 10-14)

To order items 1-14(C-40A Pedal PB assembly), please specify the "L" dimension (face of finish wall to center of supply) 4-3/4" thru 14-3/4" in one inch intervals. See chart bottom of previous page.



PEDAL HANDLE PUSH BUTTON FOR CONCEALED ROYAL & CROWN

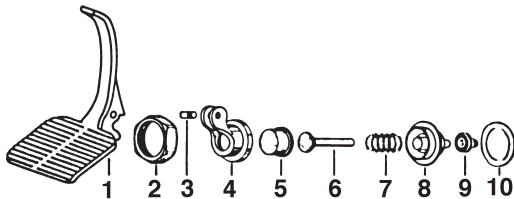
ITEM	PART #	DESCRIPTION
1	91785053	CP pedal handle
2	91785054	CP screw
3-4		CP flange w/set screw
6	40261033	RB locknut
7	40261024	RB coupling
8	40261025	Index push coupling
10		Plunger
11		Spring
12		Bushing
13	40262297	Handle seal
14	40261139	Handle gasket
	40261026	Repair kit (items 10-14)



To order items 1-14(C-40A Pedal PB assembly), please specify the "L" dimension (face of finish wall to center of supply) 4-3/4" thru 14-3/4" in one inch intervals. See chart bottom of previous page.

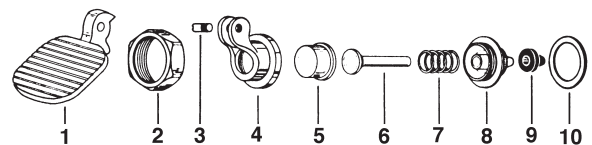
PEDAL HANDLE PUSH BUTTON FOR EXPOSED ROYAL & CROWN

ITEM	PART #	DESCRIPTION
1-10	91785051	Pedal handle assembly
1	91785053	CP pedal handle
2	40261082	CP coupling
3	91785054	CP screw
4		CP socket
5		CP push button
6		Plunger
7		Spring
8		Bushing
9	40262297	Handle seal
10	40268918	Handle gasket
4-10	91785030	Repair kit



PEDAL PUSH BUTTON FOR EXPOSED ROYAL & CROWN

ITEM	PART #	DESCRIPTION
1-10	40268919	Pedal CP assembly
1	40268917	CP pedal
2	40261082	CP coupling
3	91785054	CP screw
4		CP socket
5		CP push button
6		Plunger
7		Spring
8		Bushing
9	40262297	Handle seal
10	40261139	Handle gasket
4-10	91785030	Repair kit



HOUSTON
800/392-5066

ORLANDO
800/327-3022

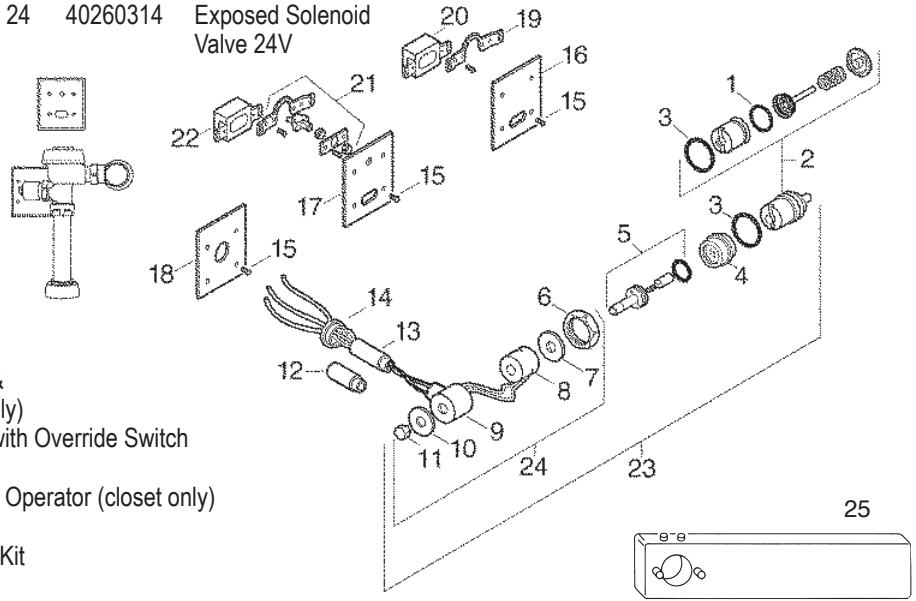
GREENVILLE
800/476-2212

LOOK FOR US ON THE WEB AT: www.TMSSouth.com

FLUSH VALVES

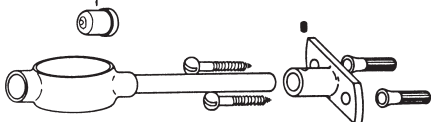
SLOAN OPTIMA FLUSH VALVE PARTS BREAKDOWN

ITEM	PART #	DESCRIPTION	ITEM	PART #	DESCRIPTION	ITEM	PART #	DESCRIPTION
1		O-ring	21		Override Switch & Yoke Assembly	25	64789120	Spanner wrench
2	40261132	Actuator Cartridge Assy. Repair kit	22	40260304	Closet Sensor Replacement Kit			
3	40261015	O-ring	23	40260300	Complete Solenoid Valve 24V			
4		CP Adapter for solenoid	24	40260314	Exposed Solenoid Valve 24V			
5		Solenoid Shaft Assy.						
6		CP Handle Coupling						
7		Solenoid Flux Plate						
8		24 VAC Coil						
9		CP Solenoid Housing						
10		Face Plate for 24 VAC Solenoid						
11		CP Nut for Solenoid						
12		CP Extension Nipple Adapter						
13		CP Nipple Assembly						
14		CP Flange Assembly						
15		CP Screw						
16		CP Cover Plate for Sensor & Solenoid Operator (urinal only)						
17		CP Cover Plate for Sensor with Override Switch (closet only)						
18		CP Cover Plate for Solenoid Operator (closet only)						
19		Yoke Assembly						
20	40260301	Urinal Sensor Replacement Kit						

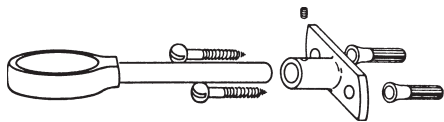


PIPE SUPPORTS & BUMPERS

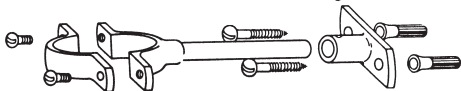
ITEM	PART #	DESCRIPTION
1	91783630	White plastic bumper
	91789920	1-1/2" Pipe support w/bumper 5 C/E complete



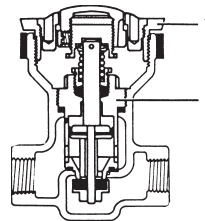
PART #	DESCRIPTION
40268920	1-1/2" Solid ring pipe support CP 5 C/E-complete
40268921	3/4" x 3-1/2" solid ring urinal tailpiece support



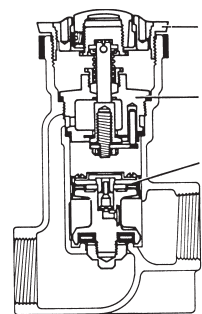
PART #	DESCRIPTION
40261134	1-1/2" Split ring pipe support CP 5 C/E-complete
50900060	1-1/2" Split ring pipe support CP 6 C/E-complete
91789950	1" Split ring pipe support CP 5 C/E-complete
40268922	3/4" x 3-1/2" split ring urinal tailpiece support



SLOAN FLOOR VALVE REPAIR KITS



1/2" Floor Valve Repair Kit 91789906



1" & 1-1/4" Floor Valve Repair Kit 91789904



TOTAL MAINTENANCE SOLUTIONS

HOUSTON
800/392-5066

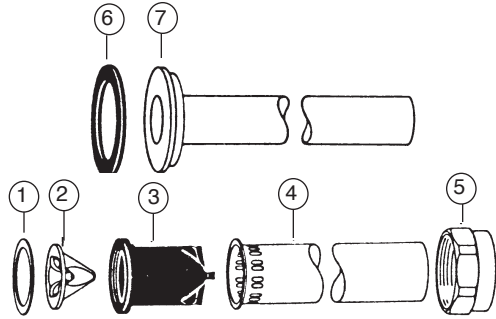
ORLANDO
800/327-3022

GREENVILLE
800/476-2212

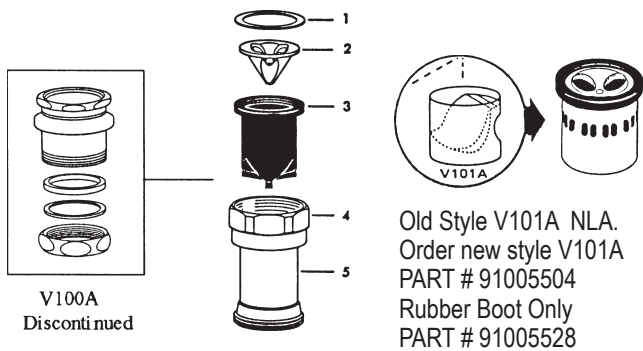
LOOK FOR US ON THE WEB AT: www.TMSSouth.com

FLUSH VALVES

SLOAN VACUUM BREAKER PARTS

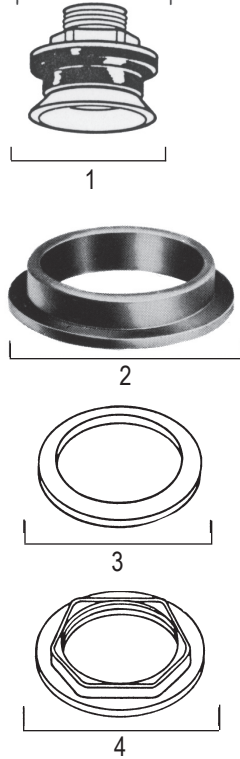


ITEM	PART #	DESCRIPTION
1-3	40201005	Repair kit for V-500 series
	40263005	3/4"x 9" CP vacuum breaker assy.
	40263210	3/4" x 15" CP vacuum breaker assy.
	40263006	1-1/4"x 9" CP vacuum breaker assy.
1-5	40261035	1-1/4"x 13-1/2" CP vacuum breaker assy.
	40261036	1-1/4"x 21-1/2" CP vacuum breaker assy.
	91005530	1-1/4"x 24" CP vacuum breaker assy.
	40261040	1-1/2"x 9" CP vacuum breaker assy.
	40261042	1-1/2"x 13-1/2" CP vacuum breaker assy.
	40261039	1-1/2"x 21-1/2" CP vacuum breaker assy.
	40261036	1-1/2"x 24-1/2" CP vacuum breaker assy.
1	40261047	1-1/2" friction ring
2	40261048	Baffle
3		Rubber sleeve (N/A order kit 91785513)
5	40261049	CP coupling
6	40261050	Gasket
7	40261052	3/4"x 10-1/2" CP outlet

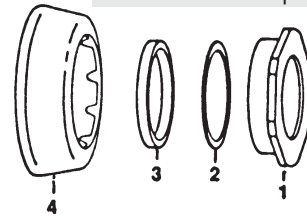


ITEM	PART #	DESCRIPTION
1-3	40201005	Repair kit for V-500 series
1-3	40263183	Royal vacuum breaker
1-5	40263010	Vacuum breaker assy. V500A

BRASS SPUD PARTS



ITEM	PART #	DESCRIPTION
1	40210961	3/4" Brass spud assembly
	40268923	1-1/4 x 3/4 spud
	40210960	1-1/4" Brass spud assembly
	40210959	1-1/2" Brass spud assembly
	40210058	2" Brass spud assembly
	40210020	2"x 1-1/4" Brass spud
	40211068	2"x 1-1/2" Brass spud
2	40211020	3/4" Spud washer
	40211019	1-1/4" Spud washer
	40211018	1-1/2" Spud washer
	40211087	2" Spud washer
	40210022	1" Friction ring for 3/4" spud
3	40210023	1-1/4" Galvanized friction ring
	40210015	1-1/2" Galvanized friction ring
	40210025	2" Galvanized friction ring
4	40210035	3/4" Brass spud nut
	40210036	1-1/4" Brass spud nut
	40210037	1-1/2" Brass spud nut
	40210038	2" Brass spud nut



ITEM	PART #	DESCRIPTION
1-4	40266125	3/4" CP spud coupling assy.
	40261053	1" CP spud coupling assy.
	40266140	1-1/4" CP spud coupling assy.
	40266146	1-1/2" CP spud coupling assy.
1-3	40261054	3/4" spud coupling
	40261055	1-1/4" spud coupling
	40261056	1-1/2" spud coupling
2	40261057	3/4" friction ring
	40261058	1-1/4" friction ring
	40261009	1-1/2" friction ring
3	40261059	3/4" SJ gasket
	40261060	1" SJ gasket
	40950107	1-1/4" SJ gasket
	40950008	1-1/2" SJ gasket
4	40261061	3/4" spud flange
	40261062	1-1/4" spud flange
	40261063	1-1/2" spud flange



TOTAL MAINTENANCE SOLUTIONS

HOUSTON
800/392-5066

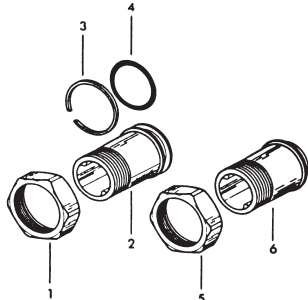
ORLANDO
800/327-3022

GREENVILLE
800/476-2212

LOOK FOR US ON THE WEB AT: www.TMSSouth.com

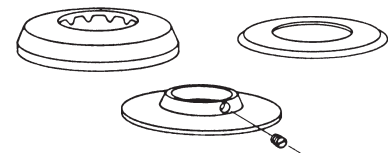
FLUSH VALVES

SLOAN TAILPIECE ASSEMBLIES & PARTS



*Adapter For Sloan & Zurn Valves To Delany G.J. Stops
PART # 40221183

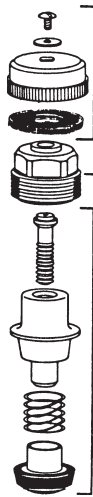
ITEM	PART #	DESCRIPTION
1	40268676	Coupling nut for adj. tailpiece
	40268801	2-1/16" Adjusting tailpiece
2-4	40268803	3-1/16" Adjusting tailpiece
	40268805	4-1/16" Adjusting tailpiece
	40268807	5-1/16" Adjusting tailpiece
3	40268381	Lock ring
4	40950069	O-ring
5	40261003	Coupling nut for G.J. tailpiece
6	40261065	1-1/2" G.J. tailpiece
	40261004	1-3/4" G.J. tailpiece
	40261067	2" G.J. tailpiece
	40261068	3-1/4" G.J. tailpiece
	40261069	3-1/2" G.J. tailpiece



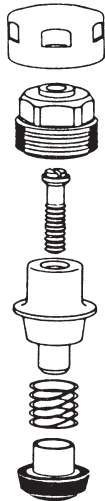
SUPPLY FLANGES FOR IRON PIPE

PART #	DESCRIPTION
40261070	F-7 1/2" IPS CP Flat
40261071	F-7 1" IPS CP Flat
40261072	F-7 1" IPS CP Flat
40261073	F-7 3/4" IPS CP Flat supply
40261077	F-7 3/4" IPS CP Flat
40261074	F-45-A 3/4" IPS CP w/ set screw
40261076	F-45-A 1" IPS CP w/ set screw

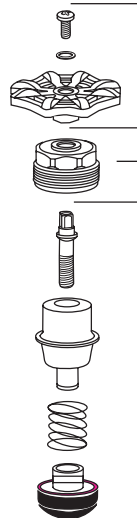
SLOAN CONTROL STOP REPAIR KITS



Wheel handle repair kit 1" & 3/4"
PART # 40261078
H-553 Bonnet 1"
PART # 91784008
H-561 Bonnet 3/4"
PART # 40261099
H-600A, H-600AG, H-650AG, H-540A, H-540AG, H-545AG
1" Wheel handle repair kit.
PART # 40261080
H-600A, H-600AG, H-540A, H-540AG
3/4" Wheel handle repair kit.
PART # 40211086



H-573 Cap CP 1"
PART # 91004012
H-582 Cap CP 3/4"
PART # 40268848
H-579 Bonnet 1"
PART # 91784016
H-577 Bonnet 3/4"
PART # 40261083
H-600A, H-600AG, H-650AG, H-540A, H-540AG, H-545AG,
1" Screw driver stop repair kit.
PART # 40201009
H-600A, H-600AG, H-540A, H-540AG,
3/4" Screw driver stop repair kit.
PART # 40261085



Wheel handle repair kit
PART # 40261087
Bonnet (for 1" H-540, H-600, and H-700 WH Series stops)
PART # 40261018
H-577 Bonnet (for 3/4" H-540 and H-600 Series stops)
PART # 40261019
Control stop repair kit (for 1" H-540, H-600, and H-700 WH Series stops and 3/4" H-700 Series stops)
PART # 40261020
Control stop repair kit for 3/4" H-540 and H-600 Series stops
40261031

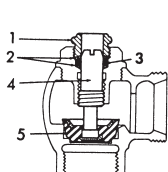


H-586 Cap CP for use with H-574 Bumper
PART # 40261092

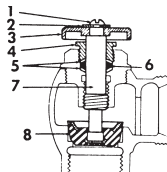
H-574 Bumper for use with open front seat
PART # 40261093



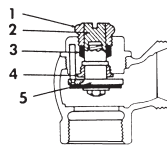
SLOAN OBSOLETE CONTROL STOP REPAIR KITS



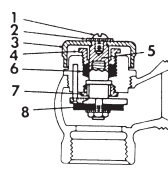
H-440-AG SCREW DRIVER STOP 1" AND 3/4"



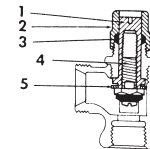
H-440-AG WHEEL HANDLE STOP 1"



H-40-AG SCREW DRIVER STOP 1"



H-40-AG WHEEL HANDLE STOP 1"

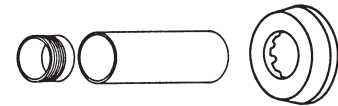


H-20-AG SCREW DRIVER STOP 3/4" & 1/2"

DESCRIPTION	PART #
H-440-AG 1" SCREW DRIVER STOP Repair kit incl. items 1-5	40268453
H-440-AG 1" WHEEL HANDLE STOP Repair kit incl. items 1-8	40261095
H-440-AG 3/4" SCREW DRIVER STOP Repair kit incl. items 1-5	40268442
H-40-AG 1" SCREW DRIVER STOP Repair kit incl. items 1-5	40268277
H-40-AG 1" WHEEL HANDLE STOP Repair kit incl. items 1-8	40261096
H-20-AG 3/4" & 1/2" SCREW DR. STOP Repair kit incl. items 1-5	40268102

SWEAT SOLDER KITS

PART #	DESCRIPTION
40268788	3/4" Supply kit (urinals)
40268782	1" Supply kit



VANDAL RESISTANT STOP CAP W/ SET SCREW



H-573 Cap CP VP 1" PART # 40261097
H-582 Cap CP VP 3/4" PART # 40261098



TOTAL MAINTENANCE SOLUTIONS

HOUSTON
800/392-5066

ORLANDO
800/327-3022

GREENVILLE
800/476-2212

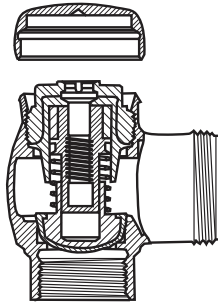
LOOK FOR US ON THE WEB AT: www.TMSSouth.com

FLUSH VALVES

**SLOAN H-700 SERIES BAK-CHEK®
COMPLETE CONTROL STOPS**

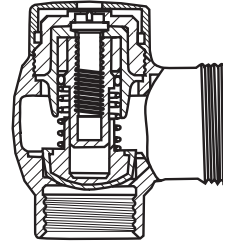
**H-700 STOP, CHROME PLATED
SCREW DRIVER ANGLE STOP WITH
H-1010-A VANDAL RESISTANT CAP**

PART #	DESCRIPTION
40261100	3/4" NPTF Inlet for adjustable tail
40261101	1" NPTF inlet for adjustable tail



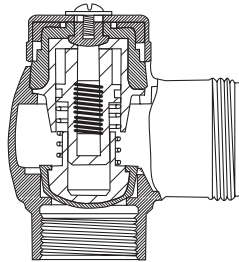
**H-710 STOP, CHROME PLATED
SCREW DRIVER ANGLE STOP
WITH H-573 CAP**

PART #	DESCRIPTION
40268025	3/4" NPTF Inlet for adjustable tail
40268757	1" NPTF inlet for adjustable tail
40261102	3/4" NPTF inlet for ground joint tail



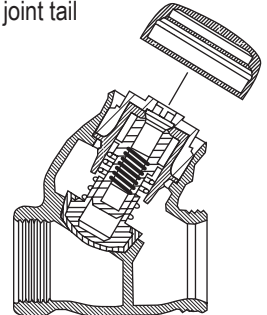
**H-735 STOP, CHROME PLATED EXPOSED
WHEEL HANDLE ANGLE STOP**

PART #	DESCRIPTION
40261103	3/4" NPTF Inlet for adjustable tail
40261104	1" NPTF inlet for adjustable tail
40261105	3/4" NPTF inlet for ground joint tail
40261106	1" NPTF inlet for ground joint tail



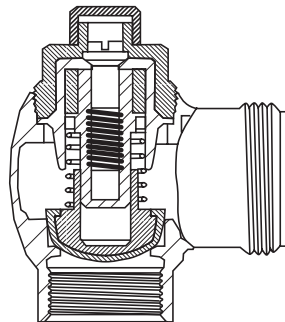
**H-750 STOP, SCREW DRIVER
STRAIGHT STOP WITH H-1010-A
VANDAL RESISTANT CAP**

PART #	DESCRIPTION
40261005	1" NPTF inlet for ground joint tail



**H-740 STOP, CHROME PLATED SCREW DRIVER ANGLE STOP WITH H-37 CAP
(REGAL FLUSHOMETER VALVE STOP)**

PART #	DESCRIPTION
40268031	3/4" NPTF Inlet for adjustable tail
40268029	1" NPTF inlet for adjustable tail
40261108	3/4" NPTF inlet for ground joint tail
40261109	1" NPTF inlet for ground joint tail



**H-790 STOP, CHROME PLATED SCREW DRIVER
ANGLE STOP WITH VANDAL RESISTANT CAP
(REGAL "XL" FLUSHOMETER VALVE STOP)**

PART #	DESCRIPTION
40261110	3/4" NPTF Inlet for adjustable tail
40261111	1" NPTF inlet for adjustable tail
40261114	3/4" NPTF inlet for ground joint tail
40261115	1" NPTF inlet for ground joint tail

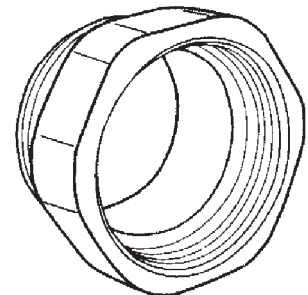


REGAL "XL"

GROUND JOINT ADAPTER

Adapts ground joint stops to valves with adjusting tailpieces.

PART # 40221183



**TOTAL
MAINTENANCE
SOLUTIONS**

HOUSTON
800/392-5066

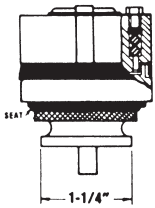
ORLANDO
800/327-3022

GREENVILLE
800/476-2212

LOOK FOR US ON THE WEB AT: www.TMSSouth.com

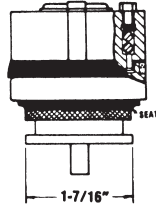
FLUSH VALVES

SPEAKMAN PISTON FOR UNITS PURCHASED PRIOR TO 1954



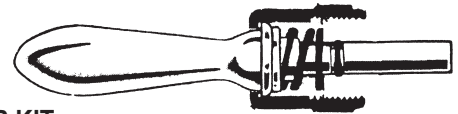
All standard type water closets, pedestals & syphon jet urinals
PART # 40201017

All stall and flat back lipped urinals
PART # 40201018



SPEAKMAN HANDLE ASSEMBLY - FOR VALVES AFTER 1954

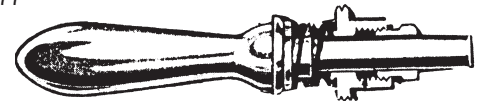
PART # 40201019



HANDLE REPAIR KIT
PART # 40201020

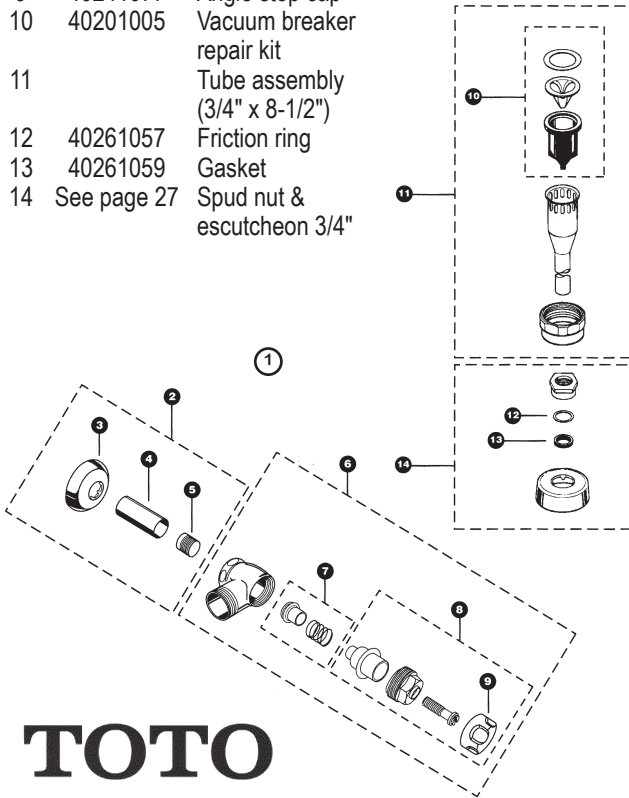
SPEAKMAN OLD STYLE HANDLE ASSEMBLY - FOR FLUSH VALVES PRIOR TO 1954

PART # 15890177



TOTO RELIANCE COMMERCIAL LINE VACUUM BREAKER & ANGLE STOP SET FOR URINAL WITH EXPOSED TOP SPUD - 3/4" OUTLET

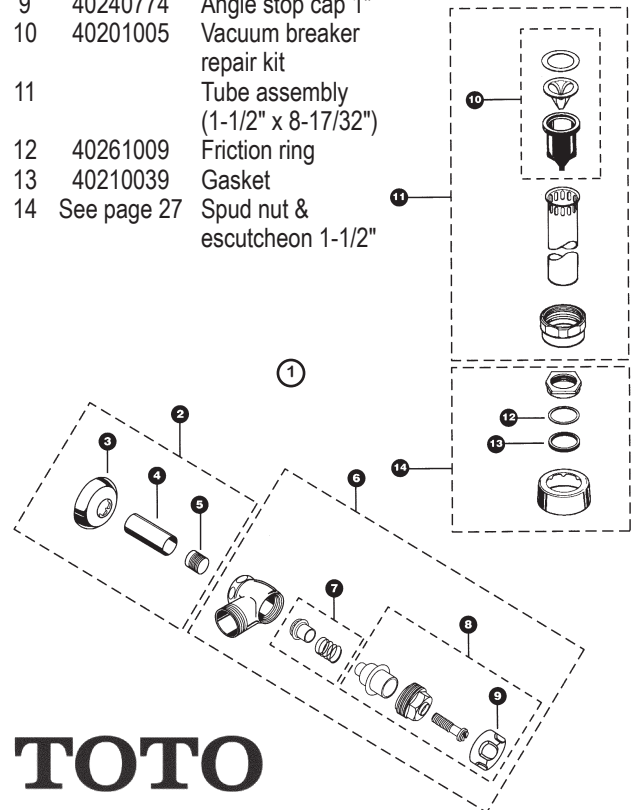
ITEM	PART #	DESCRIPTION
1		Exposed top spud (3/4" outlet)
2	See page 28	Sweat solder kit for urinal
3		Wall flange
4		Sleeve cover
5		Solder adapter
6		Angle stop, urinal, chrome plated
7	40240077	Angle stop repair kit
8		Angle stop cover
9	40241077	Angle stop cap
10	40201005	Vacuum breaker repair kit
11		Tube assembly (3/4" x 8-1/2")
12	40261057	Friction ring
13	40261059	Gasket
14	See page 27	Spud nut & escutcheon 3/4"



TOTO

TOTO RELIANCE COMMERCIAL LINE VACUUM BREAKER & ANGLE STOP SET FOR TOILET WITH EXPOSED TOP SPUD - 1-1/2" OUTLET

ITEM	PART #	DESCRIPTION
1		Exposed top spud (1-1/2" outlet)
2	See page 28	Sweat solder kit for toilet
3		Wall flange 1"
4		Sleeve cover 1"
5		Solder adapter 1"
6		Angle stop 1", toilet, chrome plated
7	40240733	Angle stop repair kit 1"
8		Angle stop cover 1"
9	40240774	Angle stop cap 1"
10	40201005	Vacuum breaker repair kit
11		Tube assembly (1-1/2" x 8-17/32")
12	40261009	Friction ring
13	40210039	Gasket
14	See page 27	Spud nut & escutcheon 1-1/2"



TOTO



TOTAL MAINTENANCE SOLUTIONS

HOUSTON
800/392-5066

ORLANDO
800/327-3022

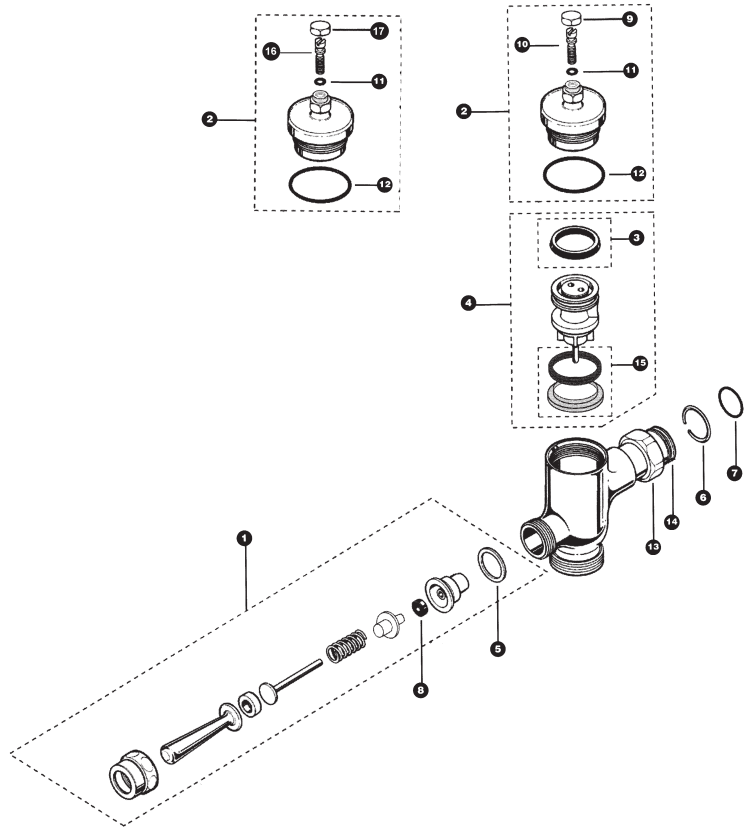
GREENVILLE
800/476-2212

LOOK FOR US ON THE WEB AT: www.TMSSouth.com

FLUSH VALVES

TOTO RELIANCE COMMERCIAL LINE MANUAL FLUSH VALVE, EXPOSED – 1.0 & 3.5 GPF URINAL, 1.6 GPF TOILET TMU1HNCR & TMT1HNCR SERIES

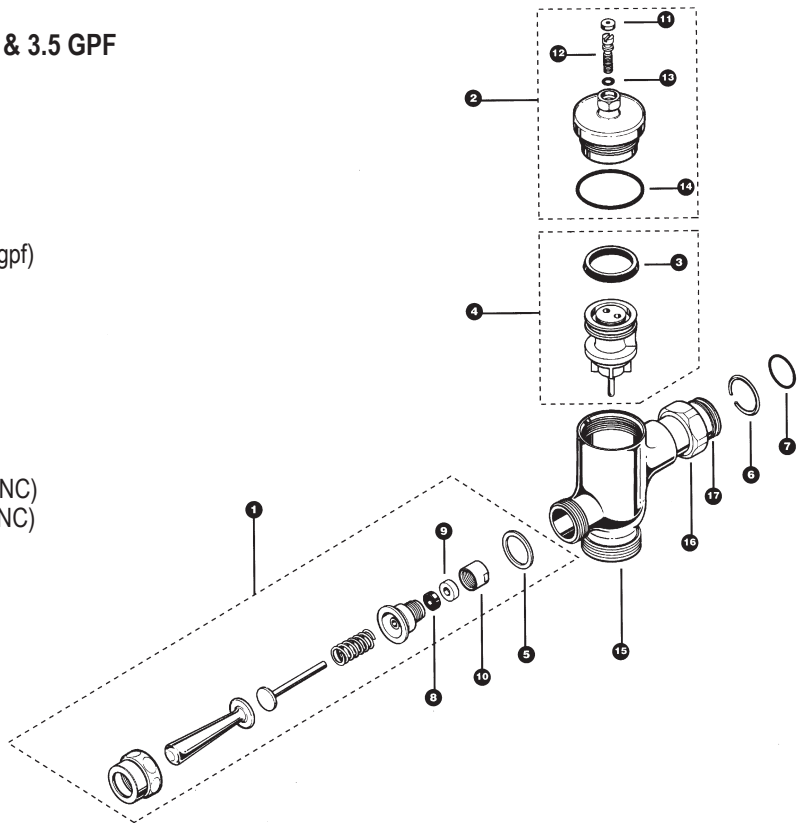
ITEM	PART #	DESCRIPTION
1	40241002	Lever assembly – MFV
2		Valve cover set (1.0 gpf) Valve cover set (1.6 gpf)
3	92751305	U-packing (for piston)
4	40245993	Piston assembly (1.0 & 3.5 gpf)
	40241001	Piston assembly (1.6 gpf)
5		Fiber washer
6		Locking ring
7		O-ring (tail piece)
8		Gasket (U-packing)
9		Screw cap (MFV & angle stop)
10		Adjustment screw (urinal)
11		O-ring (cap screw)
12		O-ring (valve guide)
13		Nut
14		Tail piece
15		Seat packing set
16		Adjustment screw (toilet)
17		Screw cap (toilet)



TOTO

TOTO RELIANCE COMMERCIAL LINE MANUAL FLUSH VALVE, EXPOSED – 1.0, 1.6 & 3.5 GPF TMU1HNC & TMT1HNC SERIES

ITEM	PART #	DESCRIPTION
1	40241002	Lever assembly, MFV
2		Valve cover set (1.0 gpf) Valve cover set (1.6 gpf)
3	40241004	U-packing (for piston)
4	40241000	Piston assembly (1.0 gpf & 3.5 gpf)
	40241005	Piston assembly (1.6 gpf)
5		Fiber washer
6		Locking ring
7		O-ring (tail piece)
8		Gasket (U-packing)
9		Guide ring
11		Screw cap (MFV & angle stop)
12		Cap adjustment screw (TMU1HNC)
		Cap adjustment screw (TMT1HNC)
13		O-ring (cap screw)
14		O-ring (valve guide)
15		Valve body (MFV) – new
16		Nut
17		Tail piece



TOTO



**TOTAL
MAINTENANCE
SOLUTIONS**

HOUSTON
800/392-5066

ORLANDO
800/327-3022

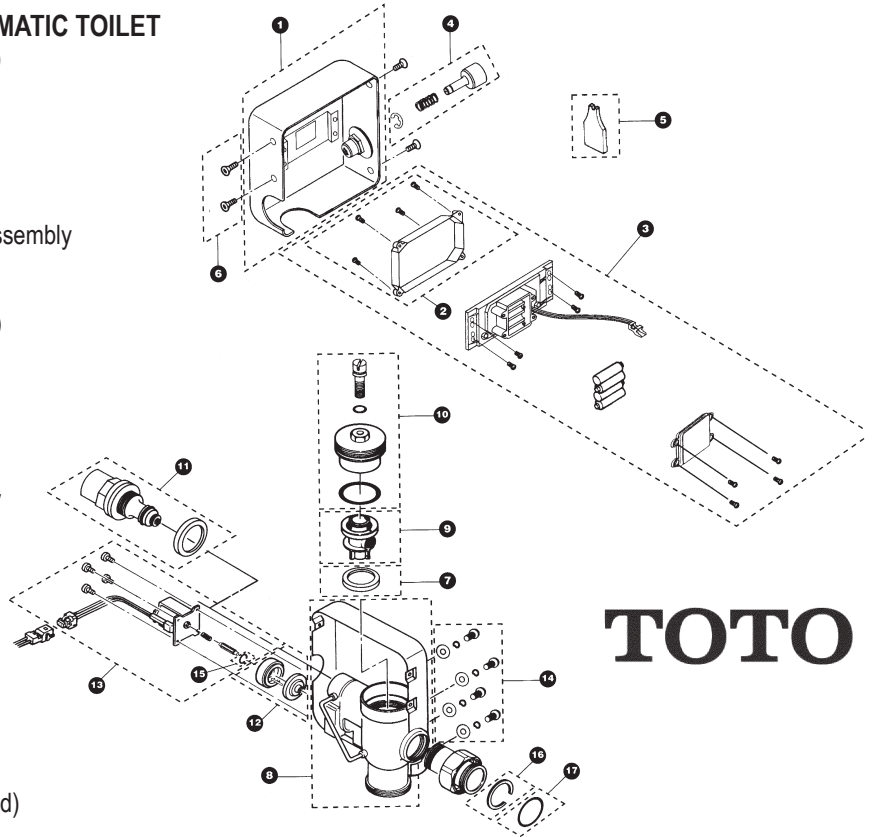
GREENVILLE
800/476-2212

LOOK FOR US ON THE WEB AT: www.TMSSouth.com

FLUSH VALVES

**TOTO RELIANCE COMMERCIAL LINE AUTOMATIC TOILET
FLUSH VALVE BATTERY POWERED (6V, DC)**

ITEM	PART #	DESCRIPTION
1		Front cover, right (white)
		Front cover, right (stainless)
2		Sensor cover set
3		Sensor unit ("AA" battery)
4	92755947	Outside manual push button assembly
5		Spanner wrench tools
6		Vandal proof screws (white)
		Vandal proof screws (stainless)
7		Seal washer set
8		Rear cover, right (white)
		Rear cover, right (stainless)
9	92751002	Piston assembly
10		Valve cap set
11		Inside manual button assembly
12		Self-cleaning diaphragm & cap
13	92759196	Solenoid ("AA" battery)
14		Screws
15		Solenoid o-ring set
16		Nut stoppers
17		O-rings (tail piece)

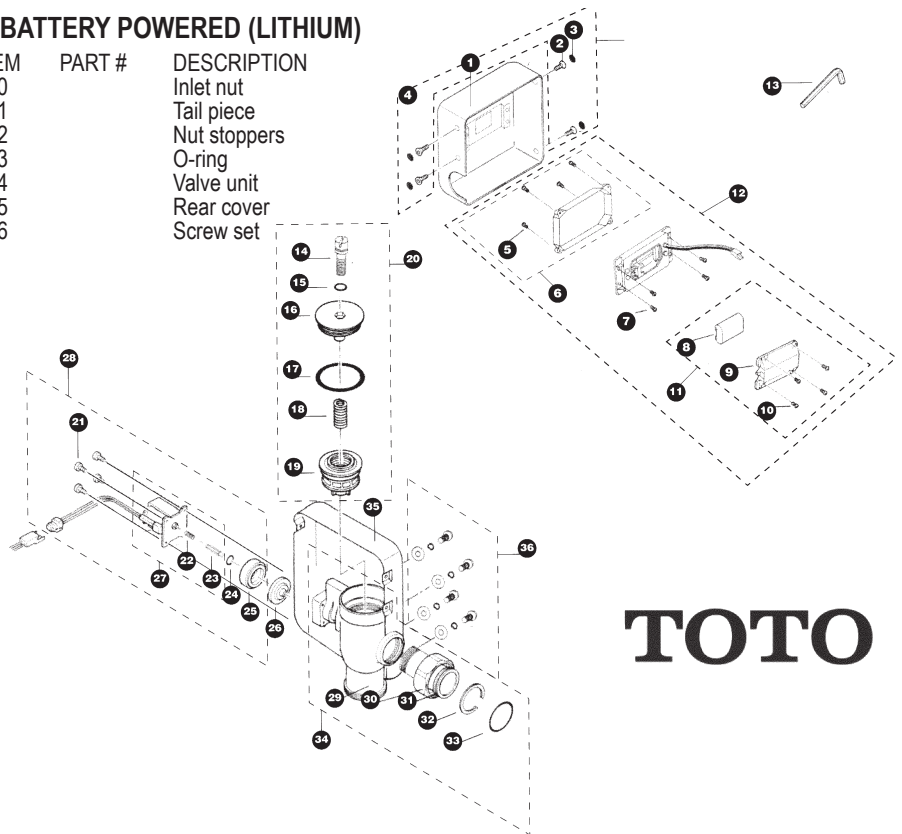


Note: Sensor unit does not include "AA" batteries.

Replacement batteries: PART # 64741006 (4 required)

TOTO AUTOMATIC URINAL FLUSH VALVE BATTERY POWERED (LITHIUM)

ITEM	PART #	DESCRIPTION	ITEM	PART #	DESCRIPTION
1		Front cover	30		Inlet nut
2		Screw concealers	31		Tail piece
3		Vandal proof screw (stainless)	32		Nut stoppers
4		Screw set	33		O-ring
5		Screw (sensor cover)	34		Valve unit
6		Sensor cover set	35		Rear cover
7		Screw (sensor & solenoid)	36		Screw set
8	40221175	Lithium battery (2CR5)			
9		Battery cover			
10		Screw			
11		Battery cover set			
12		Sensor unit (Lithium battery)			
13		Allen wrench			
14		Adjustable screw			
15		O-ring			
16		Valve cap			
17		O-ring			
18		Spring			
19	92751004	Piston assembly			
20		Piston valve assembly			
21		Screw (sensor & solenoid)			
22		Spring			
23		Plunger			
24		O-ring (diaphragm cap)			
25		Diaphragm cap			
26		Diaphragm			
27		Solenoid set (includes spring & plunger)			
28	92755922	Solenoid assembly (lithium battery)			
29		Main body			



HOUSTON
800/392-5066

ORLANDO
800/327-3022

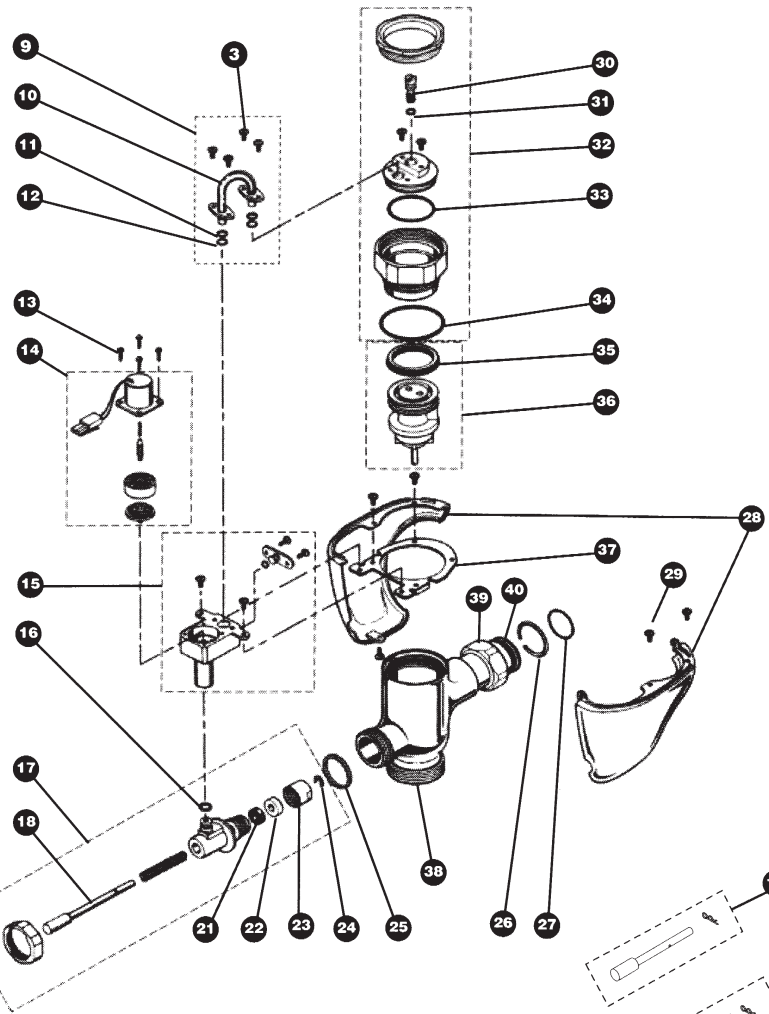
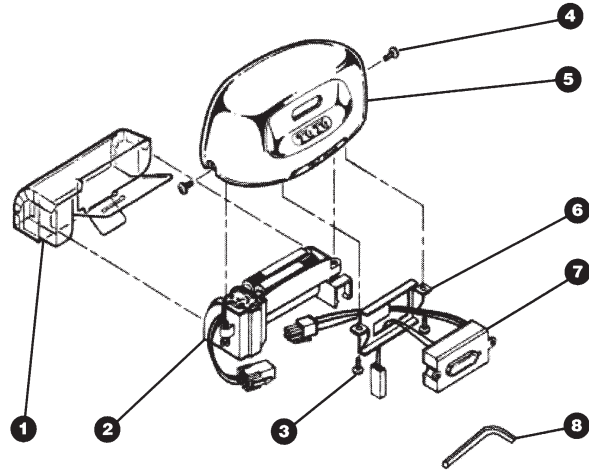
GREENVILLE
800/476-2212

LOOK FOR US ON THE WEB AT: www.TMSSouth.com

FLUSH VALVES

TOTO RELIANCE COMMERCIAL LINE SENSOR TOILET FLUSH VALVE, EXPOSED 1.0 GPF, 1.6 GPF AND 3.5 GPF – BATTERY POWERED (6V, DC)

ITEM	PART #	DESCRIPTION
1		Battery case cover
2		Battery case assembly
3		Phillips pan head screw
4		Hex socket cap screw
5		Top cover (DC type)
6		Sensor bracket set
7		Sensor controller – DC toilet
8		Allen wrench
9		Copper tube sub-assembly with packing
10		Copper tube
11		Back-up rings
12		O-ring (tube assembly)
13		Double sems screw
14	92750503	Solenoid unit & diaphragm assembly
15	92751101	Solenoid valve seat assembly
16	92751201	O-ring (plunger guide)
17		Push button valve assembly (toilet) (see #19)
18		Push button set (see #19)
19	92751501	Push button set
20	92752002	Push button repair kit (toilet)
21		Gaskets (U-packing)
22		Guide rings
23		Guide ring stoppers
24		E-rings
25	92751701	Gaskets (plunger guide)
26		Locking rings
27		O-ring (tail piece)
28		Lower toilet cover seat
29		Screw set
30		Cap adjustment screw
31		O-ring (cap screw)
32		Valve cap assembly
33		O-ring (valve cap)
34		O-ring (valve guide)
35		U-packing (for piston)
36	40241000	Piston assembly (1.0 gpf & 3.5 gpf)
	40241005	Piston assembly (1.6 gpf)
37		Plate
38		Valve body (EFV) – no logo
39		Nut
40		Tail piece



Note: Allen wrench is for reference purpose only.



Replacement batteries: PART # 64741006 (4 required)



HOUSTON
800/392-5066

ORLANDO
800/327-3022

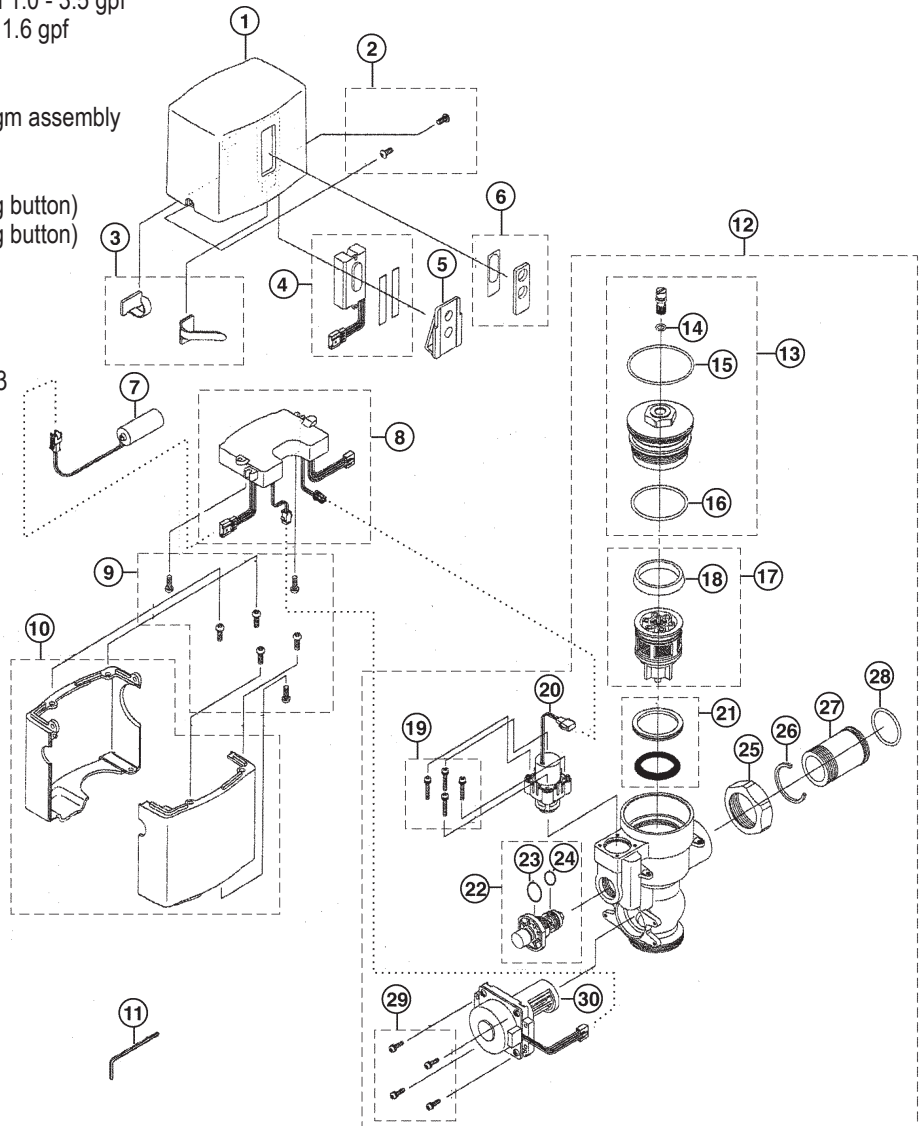
GREENVILLE
800/476-2212

LOOK FOR US ON THE WEB AT: www.TMSSouth.com

FLUSH VALVES

TOTO RELIANCE COMMERCIAL LINE ECOPOWER™ SENSOR FLUSH VALVES WITH HYDRO-POWER CHARGE

ITEM	PART #	DESCRIPTION
1		Top cover
2		Hex socket pan head cap screw M4 set
3		Clamp set
4	40240025	Sensor controller and packing set
5		Holder
6		Glass and packing set
7	40240050	Back up battery
8		Controller
9		M4 screws
10		Lower cover set
11		Tool (allen wrench)
12		Valve body
13		Valve cap assembly
14		O-rings
15		O-ring set (valve cap) 10 pieces
16		O-rings (valve guide)
17	40240060	Piston assembly – urinal 1.0 - 3.5 gpf
	40240040	Piston assembly – toilet 1.6 gpf
18		U-packing (for piston)
19		Double Sems screw M3
20		Solenoid unit & diaphragm assembly
21		Seat packing set
22		Manual flushing button
23		O-rings (manual flushing button)
24		O-rings (manual flushing button)
25		Nut
26		Locking rings
27		Tailpiece
28		O-rings (tailpiece)
29		Double Sems screws M3
30		Hydro-Power Generator



**TOTAL
MAINTENANCE
SOLUTIONS**

HOUSTON
800/392-5066

ORLANDO
800/327-3022

GREENVILLE
800/476-2212

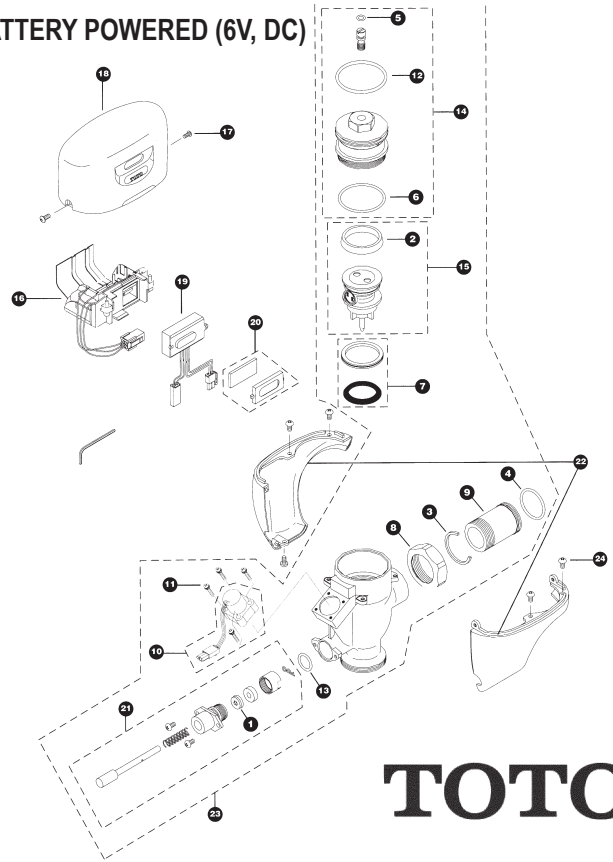
LOOK FOR US ON THE WEB AT: www.TMSSouth.com

FLUSH VALVES

TOTO SENSOR TOILET FLUSH VALVE, EXPOSED 1.6 GPF – BATTERY POWERED (6V, DC)



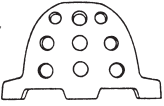
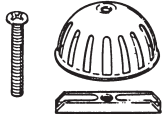


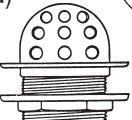
ITEM	PART #	DESCRIPTION
1		Gasket
2	92751305	U-packing (for piston)
3		Locking ring
4		O-ring (tail piece)
5		O-ring (cap screw)
6		O-ring (valve guide)
7		Seat packing set
8		Nut
9		Tail piece
10	92750300	Solenoid unit & diaphragm assembly
11		Double sems screw
12		O-ring (valve cap)
13		O-ring (push rod)
14		Valve cap assembly – toilet
15	40241001	Piston assembly (1.6 gpf)
	40245993	Piston assembly (3.5 gpf)
16		Battery case – DC
17		Hex socket pan head cap screw set
18		Top cover DC type
19		Sensor controller – DC toilet
20		Glass & packing set
21	92750319	Push rod assembly
22		Lower toilet cover set
23		Valve body for exposed (toilet 1.6 gpf)
24		Screw set

Replacement batteries:
PART # 30100044
(4 required)



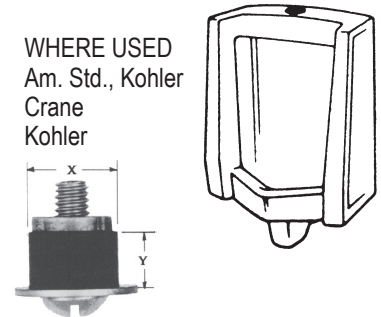
Note: Allen wrench is for reference purpose only.

URINAL STRAINERS

PART #	DESCRIPTION	
09893925	Kohler strainer plate	
09893926	Strainer screw (2 required)	
PART #	DESCRIPTION	
09893927	China grate (2-15/16" c-c)	
09893928	China grate screw (2 required)	
PART #	DESCRIPTION	
01892234	American Standard beehive strainer 2-11/16" diameter	
01891024	Screw for behive stainer	
PART #	DESCRIPTION	
40211297	Kohler Beehive strainer w/screw and back-up plate	
PART #	DESCRIPTION	
01890930	American Standard urinal strainer	
01890162	Screw for strainer (2 required)	
PART #	DESCRIPTION	
01892240	American Standard flat urinal strainer 2-3/4" c-c on holes	
01890162	Screw for strainer (2 required)	
PART #	DESCRIPTION	
47001088	Replacement Beehive urinal strainer assy	

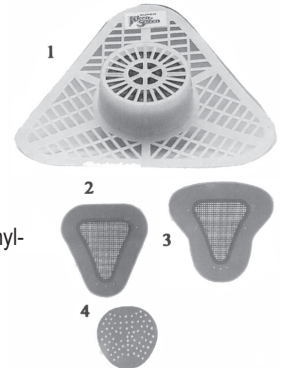
URINAL PLUGS

PART #	X	Y	WHERE USED
40211347	23/32"	3/4"	Am. Std., Kohler
04001000	1"	1/2"	Crane
40210050	5/8"	3/4"	Kohler



URINAL SCREENS

ITEM	PART #	DESCRIPTION
1	40211040	Urinal screen with cinnamon deodorant block
2	40211246	Urinal screen – 100% vinyl-chemical resistant 4-1/2" x 10-3/4" x 11-3/8"
3	40211042	Urinal screen-100% vinyl- chemical resistant 7" x 12-3/4" x 12-1/4"
4	40211309	Deod-o-screen with 30 day built-in deodorant



HOUSTON
800/392-5066

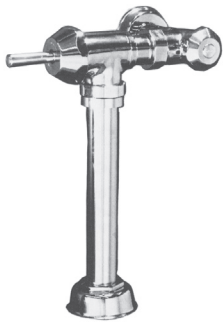
ORLANDO
800/327-3022

GREENVILLE
800/476-2212

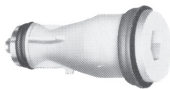
LOOK FOR US ON THE WEB AT: www.TMSSouth.com

**LOOKING FOR
WATROUS PARTS?
CALL US!
Series 300,
Series 500,
Series 200,
Imperial, Polaris**

**ZURN FLUSHTROL
REPLACEMENT PARTS**



PART # 92992510
DESCRIPTION Diaphragm control cartridge

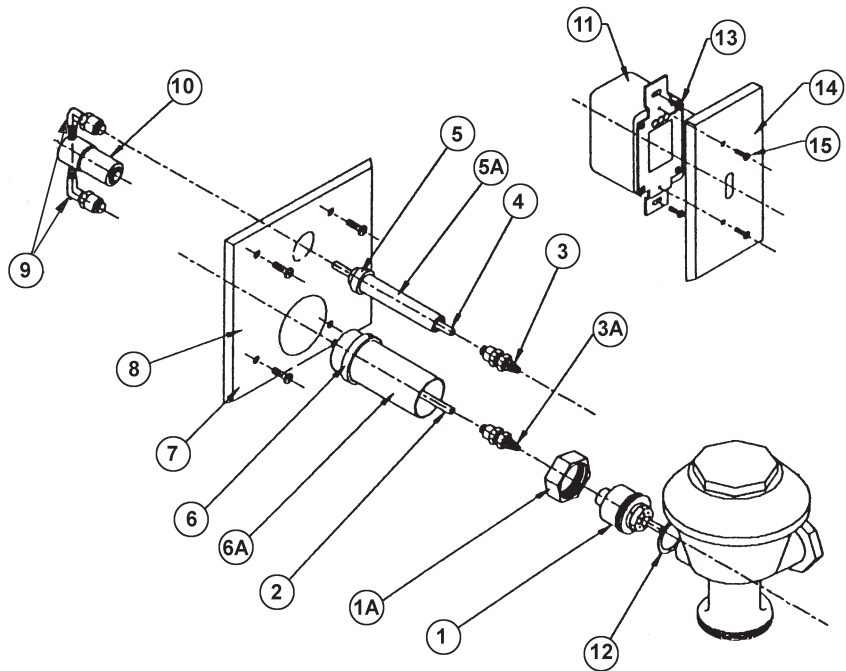
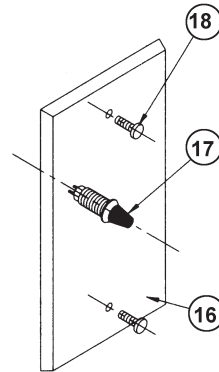


PART # 40296037
DESCRIPTION Handle internal cap assembly



**ZURN MODEL Z-6001-ES-S AND Z-6003-ES-S
SENSOR OPERATED EXPOSED SYSTEMS**

ITEM	PART #	DESCRIPTION
1	40291000	Actuator assembly
1A	40261082	Handle nut
2		Return tube
3		1/16 comp. fitting
3A		1/8 comp. fitting
4		Supply tube
5		Supply tube cover ring
5A		Supply tube cover
6		Return cover tube ring
6A		Return cover tube
7		Screws (4 required)
8		Cover plate
9		Elbow fittings (set of 2)
10	40291023	Solenoid
11	92995020	Sensor for closet
	92995022	Sensor for urinals
12	40261139	Handle gasket
13		Sensor screws
14		Sensor cover plate
15		Screws
16		Wall plate
17		Indicator light
18		Screws



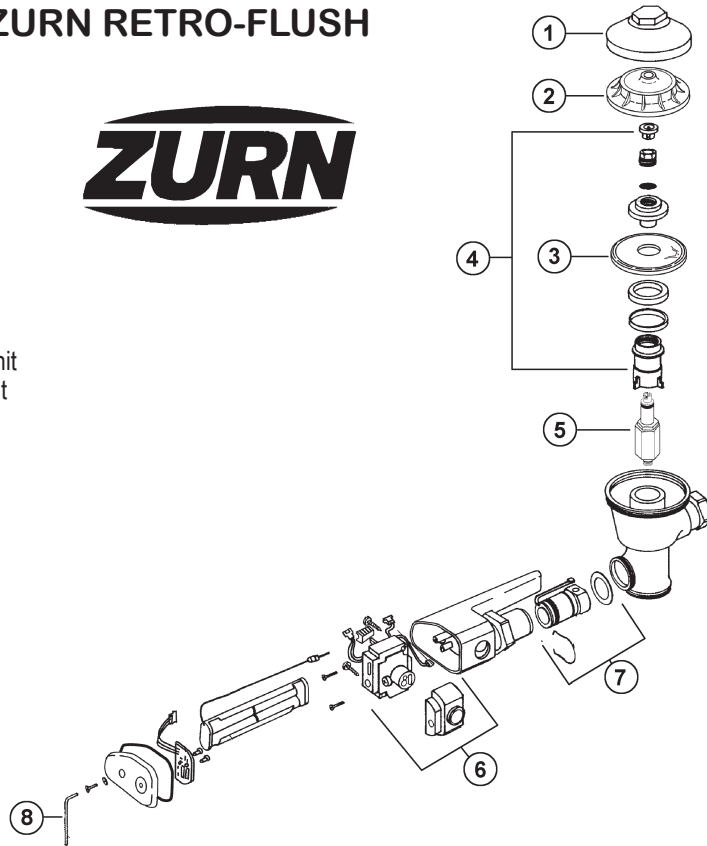
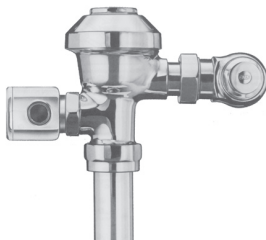
FLUSH VALVES

ZRK-ZURN RETRO-FLUSH



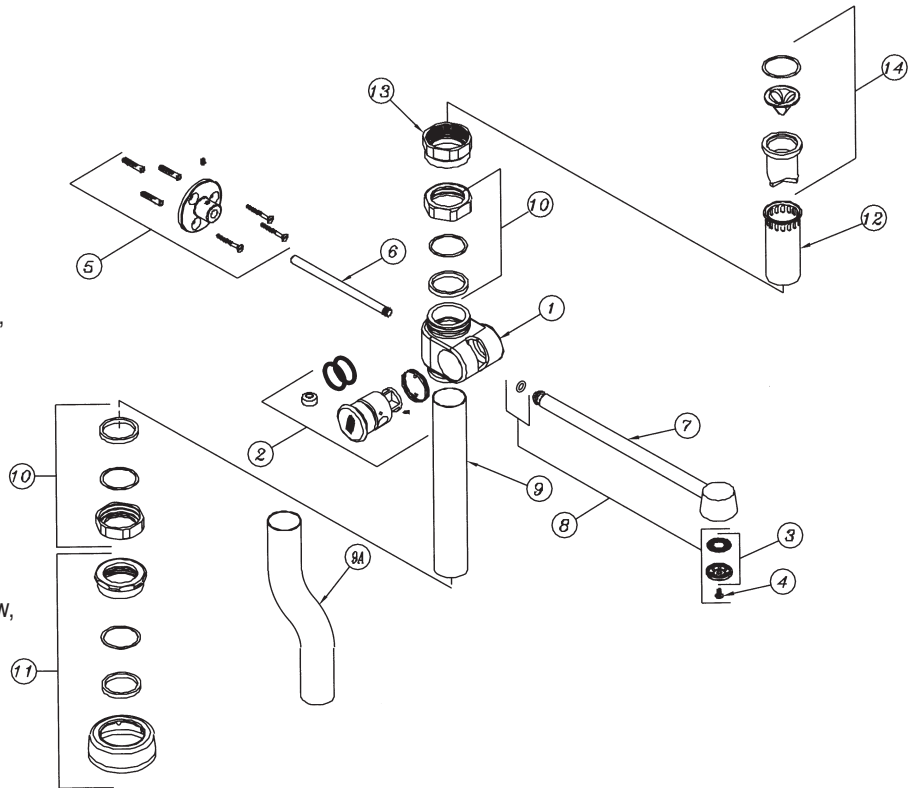
ITEM	PART #	DESCRIPTION
1	92991018	Main valve body cover
2	40221170	Plastic inside cover
3	40291027	Diaphragm
4	40221177	Urinal inside parts kit, 1.5GPF
4	40291032	Urinal inside parts kit, 1.0GPF
4	40291026	Closet inside parts kit, 3.5GPF
4	40296038	Closet inside parts kit, 1.6GPF
5	40291037	Trip mechanism
6	40221085	6V DC Closet sensor
	40221059	Complete 3.5 closet Retro-Flush unit
	40291085	Complete 1.5 urinal Retro-Flush unit
7	40291087	Solenoid valve replacement kit
8	92991225	Hex wrench

* For Battery Replacement ZURN Recommends Duracell Alkaline - 4 AA's
PART # 64741006



ZURN BEDPAN DIVERTER

ITEM	PART #	DESCRIPTION
1		Diverter body
2	40291003	Elbow assembly
3	40291022	Spray disc and screen
4		Sprary disc screw
5		Wall flange with set screw and mounting hardware
6		Support rod
7	92997016	Spray arm assembly - 12"
8	92997014	Spray arm repair kit (includes o-ring, spray disc, screen and screw)
9		Bottom tube
9A		Optional offset tube
10		Coupling assembly
11	40291017	Spud coupling assembly
12		Vacuum breaker tube
13	40261049	Tube nut
14	40201005	Vacuum breaker repair kit
	40291017	Bedpan diverter rebuild kit (includes 8, 2 (except elbow, tube gasket)



**TOTAL
MAINTENANCE
SOLUTIONS**

HOUSTON
800/392-5066

ORLANDO
800/327-3022

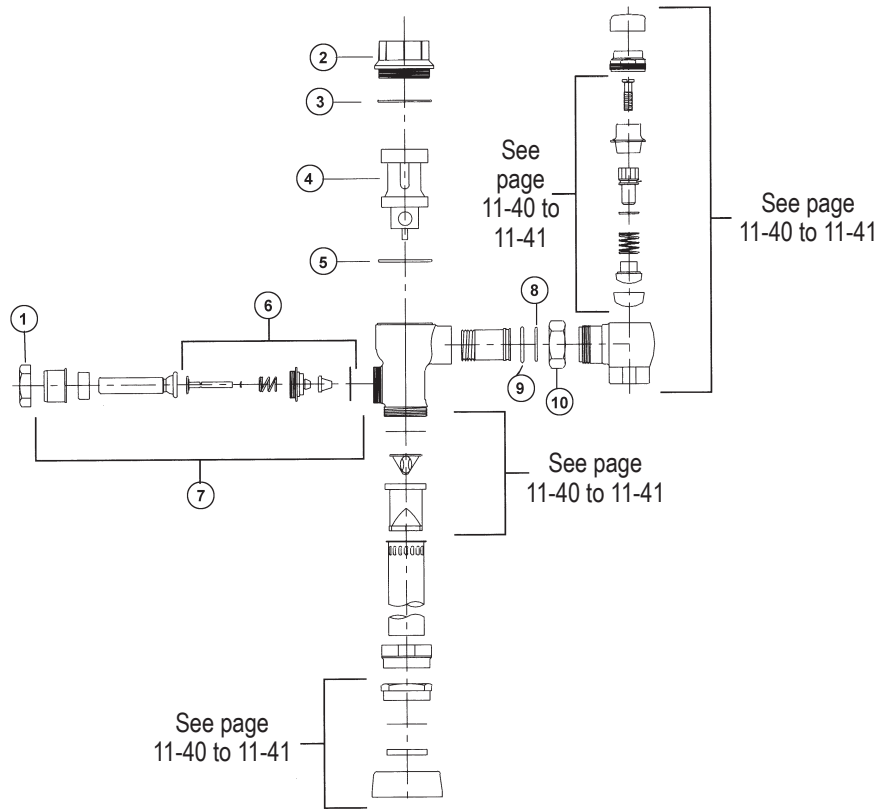
GREENVILLE
800/476-2212

LOOK FOR US ON THE WEB AT: www.TMSSouth.com

FLUSH VALVES

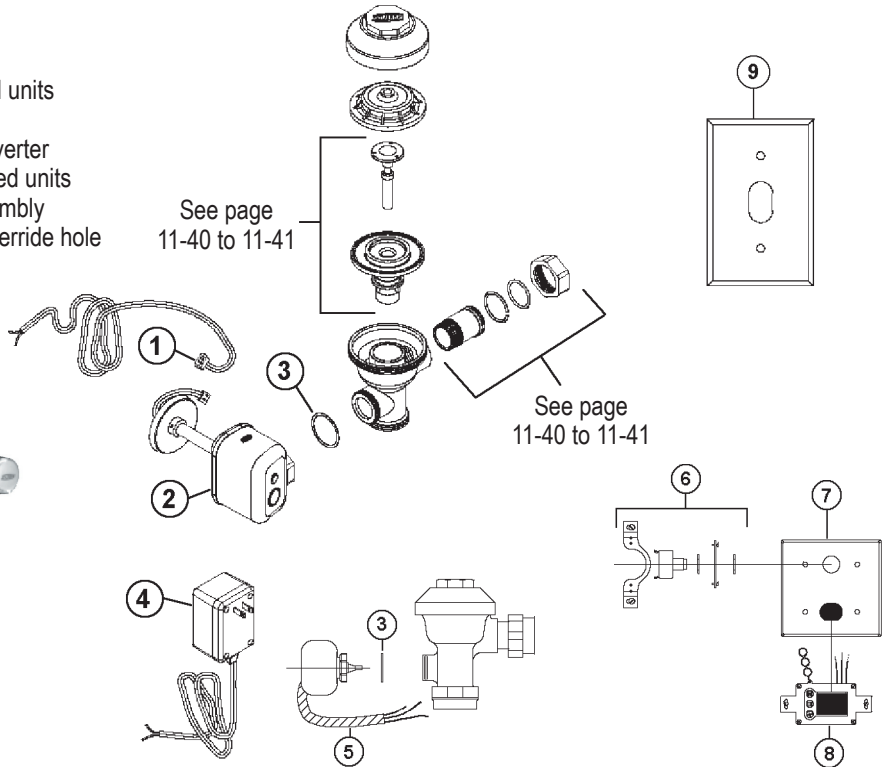
ZURN METROFLUSH

ITEM	PART #	DESCRIPTION
1		Handle nut
2		Valve body cover
3		Cover gasket
4	40291006	Closet kit 3.5 GPF
	92996200	Closet kit 1.6 GPF
	92996016	Urinal kit 1.0 GPF
5	92996020	Main seat
6	40291014	Handle repair kit
7	92996006	ADA handle assembly
8	91786022	Tailpiece o-ring
9	40268381	Snap ring
10	40268676	Locking nut



ZURN ZEMS SERIES

ITEM	PART #	DESCRIPTION
1		10' power cord
2	92995010	Actuator/sensor – exposed units
3	40261139	Handle seal
4		120VAC/6VDC power converter
5	92995012	Actuator/sensor – concealed units
6		Override push button assembly
7		Sensor cover plate with override hole
8	92995020	Sensor for closets
	92995022	Sensor for urinals
9		Urinal sensor cover plate



HOUSTON
800/392-5066

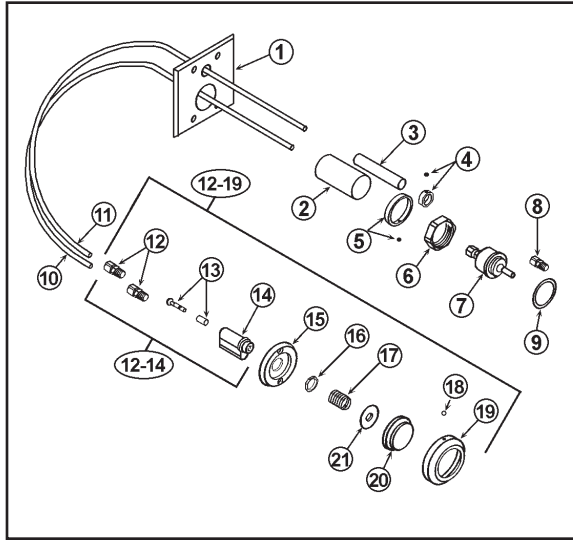
ORLANDO
800/327-3022

GREENVILLE
800/476-2212

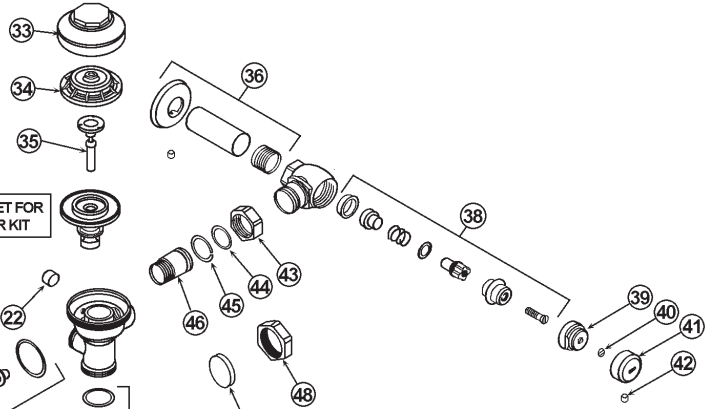
LOOK FOR US ON THE WEB AT: www.TMSSouth.com

FLUSH VALVES

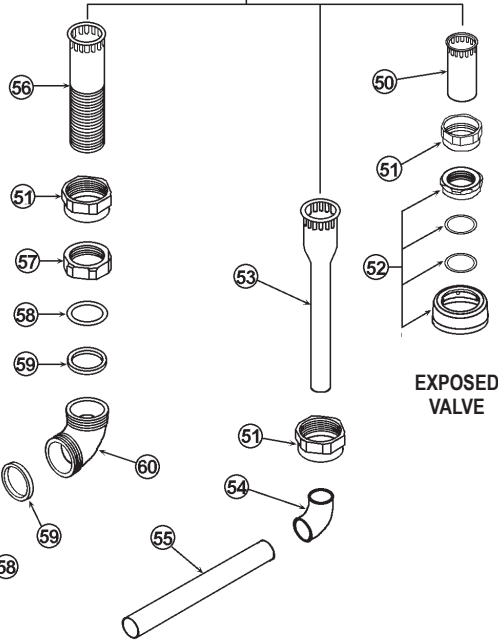
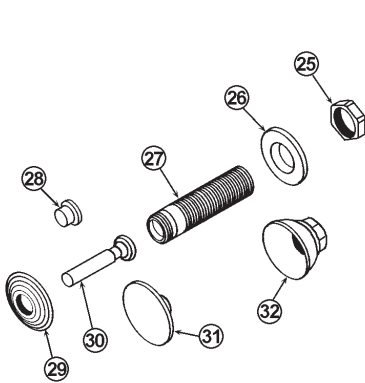
ZURN AQUAVANTAGE™ FLUSH VALVES – EXPOSED AND CONCEALED



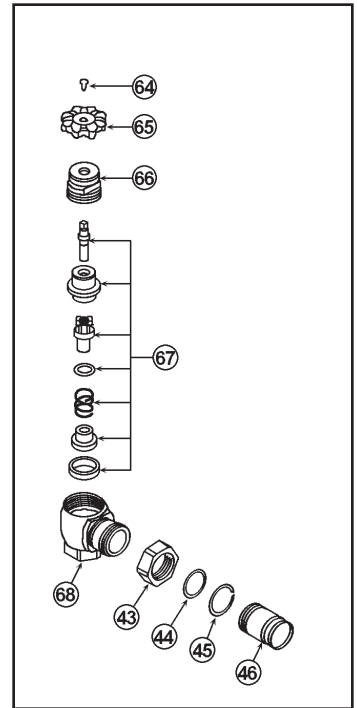
SEE INSET FOR REPAIR KIT



WHEEL STOP HANDLE
CONCEALED VALVE



EXPOSED
VALVE



CONCEALED VALVES



**TOTAL
MAINTENANCE
SOLUTIONS**

HOUSTON
800/392-5066

ORLANDO
800/327-3022

GREENVILLE
800/476-2212

LOOK FOR US ON THE WEB AT: www.TMSSouth.com

FLUSH VALVES

ITEM	PART #	DESCRIPTION	ITEM	PART #	DESCRIPTION
1		Chrome cover plate	34	40261124	Plastic cover
2		Return cover tube	35	40261129	Trip mechanism – white
3		Supply cover tube		40260415	Trip mechanism – black
4		Cover tube ring with setscrew	36	40268788	3/4" Sweat adapter kit
5		Cover tube ring with setscrew		40268782	1" Sweat adapter kit
6		Handle nut	37		Stop body
7	40291000	Hydraulic plunger assembly	38	92997016	Stop repair kit 3/4" & 1"
8		1/16" Compression fitting		40291017	VP Stop repair kit 3/4" & 1"
9		Gasket	39	40291018	Stop cap
10		1/4" Return tube	40	40296003	Snap cap screw cover
11		1/4" Supply tube	41	40291019	Vandal-resistant control stop cover
12		1/8" Compression fitting	42	40291020	Setscrew for control stop cover
13	40291001	Repair kit for hydraulic actuator	43	40268676	Locking nut
14		Actuator body	44	91786022	Tailpiece o-ring
12-14	40291002	Hydraulic actuator assy. – fixture wall	45	40268381	Snap ring
	40291003	Hydraulic actuator assy. – side wall	46	40268801	Tailpiece – 2-1/16"
15		Mounting plate	47		Solid gasket
16	40291004	Securing nut	48		Solid handle nut
17	40291005	Spring for large push button	49	40201005	Vacuum breaker repair kit
	40291006	Spring for small push button	50		Vacuum breaker tube (see page 23)
18		Escutcheon setscrew	51	40261049	Vacuum breaker tube nut
19		Escutcheon for large push button	52	40266146	1-1/2" Spud coupling assembly
12-19	40291007	Hydraulic metal PB – penal use		40266140	1-1/4" Spud coupling assembly
	40291008	Hydraulic large PB – side wall		40266125	3/4" Spud coupling assembly
	40291022	Hydraulic metal PB assy.	53		Vacuum breaker tube
20	40291009	Large push button	54		3/4" 90° Elbow
	40291010	Small push button	55		3/4" Horizontal tube
21		Spacer for large push button	56		Vacuum breaker tube (see page 51)
22		Filter	57	40800033	Coupling nut
23	92997014	Handle repair kit	58	40261009	Spud friction washer
24		Push rod/filler rod (specify length)	59	40950008	Spud friction gasket
25		Handle nut	60		90° Elbow
26		Adjusting nut	61		Spud nut
27		Sleeve/socket (specify length)	62		Flanged/scored horizontal tube
28	40291014	Optional 1" metal push button	63		P30 flat gasket
29	40291015	Wall escutcheon	64		Wheel handle screw
30		Handle	65		Wheel handle w/ screw
31		Optional 3" metal push button	66		Stop cap
32		Optional bell nut	67	40291021	Wheel handle repair kit
33		Valve body cover	68		Stop body

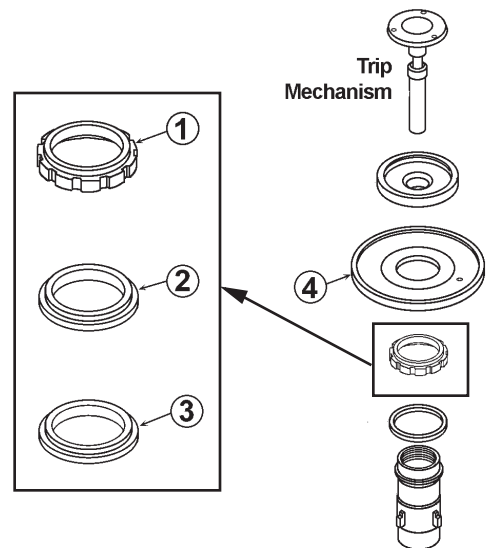
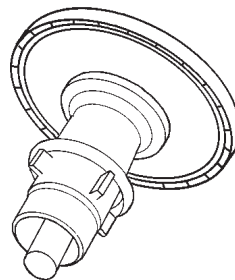
ZURN AQUAFLUSH DIAPHRAGM KIT

Replacement Parts Kit includes items 1, 2, 3 & 4 Part # 92991270

ITEM	DESCRIPTION
1	Black flow ring for 1.0 gpf urinal w/ black trip mechanism
2	White flow ring for 1.6 gpf closet w/ white trip mechanism
3	Yellow flow ring for 3.5 gpf closet w/ white trip mechanism or 1.5 gpf urinal w/ black trip mechanism
4	Diaphragm (Diaphragm only Part # 40291027)

ZURN AQUAFLUSH INSIDE PARTS KIT

PART #	DESCRIPTION
40291036	Closet kit 4.5 gpf
40296035	Closet kit 3.5 gpf
40296039	Closet kit 1.6 gpf
40291025	Urinal kit 1.5 gpf
40291031	Urinal kit 1.0 gpf



**TOTAL
MAINTENANCE
SOLUTIONS**

HOUSTON
800/392-5066

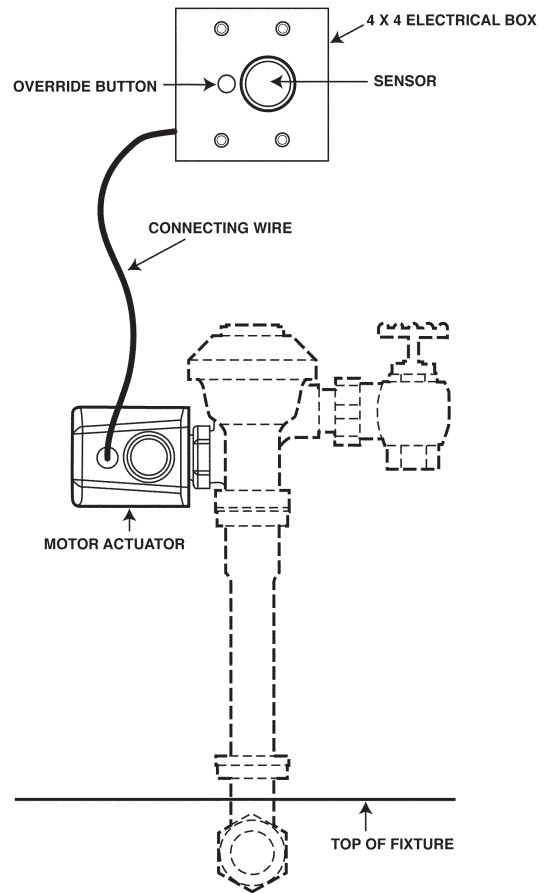
ORLANDO
800/327-3022

GREENVILLE
800/476-2212

LOOK FOR US ON THE WEB AT: www.TMSSouth.com

FLUSH VALVES

ZURN BATTERY POWERED AUTOMATIC SENSOR RETROFIT FOR CONCEALED FLUSH VALVES PART # 40291043



REPLACEMENT PARTS

PART #	DESCRIPTION
40291044	Override Pushbutton Assembly
40291045	Sensor for closet
40291046	Sensor for urinal
30100057	"C" batteries

ENGINEERING SPECIFICATION: ZURN ZERK-CP-CON

AQUASENSE® CONCEALED BATTERY POWERED AUTOMATIC SENSOR RETROFIT FOR CONCEALED FLUSH VALVES. The unit incorporates a 6VDC motorized actuator, a battery powered automatic sensor with a manual push-button override. Sensor features include switchable 24 hour auto flush, delay flush and diagnostic indicator lights. Unit comes complete with concealed motor actuator, wall mount sensor, chrome wall plate, 4 x 4 electrical box and 4 "C" cell batteries. Retrofits both concealed closet and urinal flush valves.

TROUBLESHOOTING GUIDE		
PROBLEM	CAUSE	SOLUTION
Yellow L.E.D. flashes 3 times when there are no users.	Front of sensor is covered or sensor is set too far out, registering opposite wall or door as a user.	Remove item covering sensor or adjust sensor activation distance.
Yellow L.E.D. light flashes continuously when sensor is activated by a user.	E-Z Flush unit is in 10-minute start-up mode (when first activated).	Yellow L.E.D. light will flash only 3 times, acknowledging a user is in view after the 10-minute start-up mode.
Red L.E.D. light flashes.	Batteries need replacing.	Replace batteries.
Not enough water to fixture or too much water to fixture.	Diaphragm damaged or valve control stop improperly adjusted.	Replace diaphragm and/or adjust valve control stop.
Valve will not operate.	Sensor range set too close to E-Z Flush, batteries are dead or water supply is turned off.	Adjust sensor, replace batteries, or turn water on.
Valve will not shut off.	Dirt or debris preventing diaphragm from functioning properly.	Remove dirt or debris, consult valve manufacturer's directions.
Valve does not flush even after sensor has been adjusted.	Batteries are dead.	Replace batteries.



**TOTAL
MAINTENANCE
SOLUTIONS**

HOUSTON
800/392-5066

ORLANDO
800/327-3022

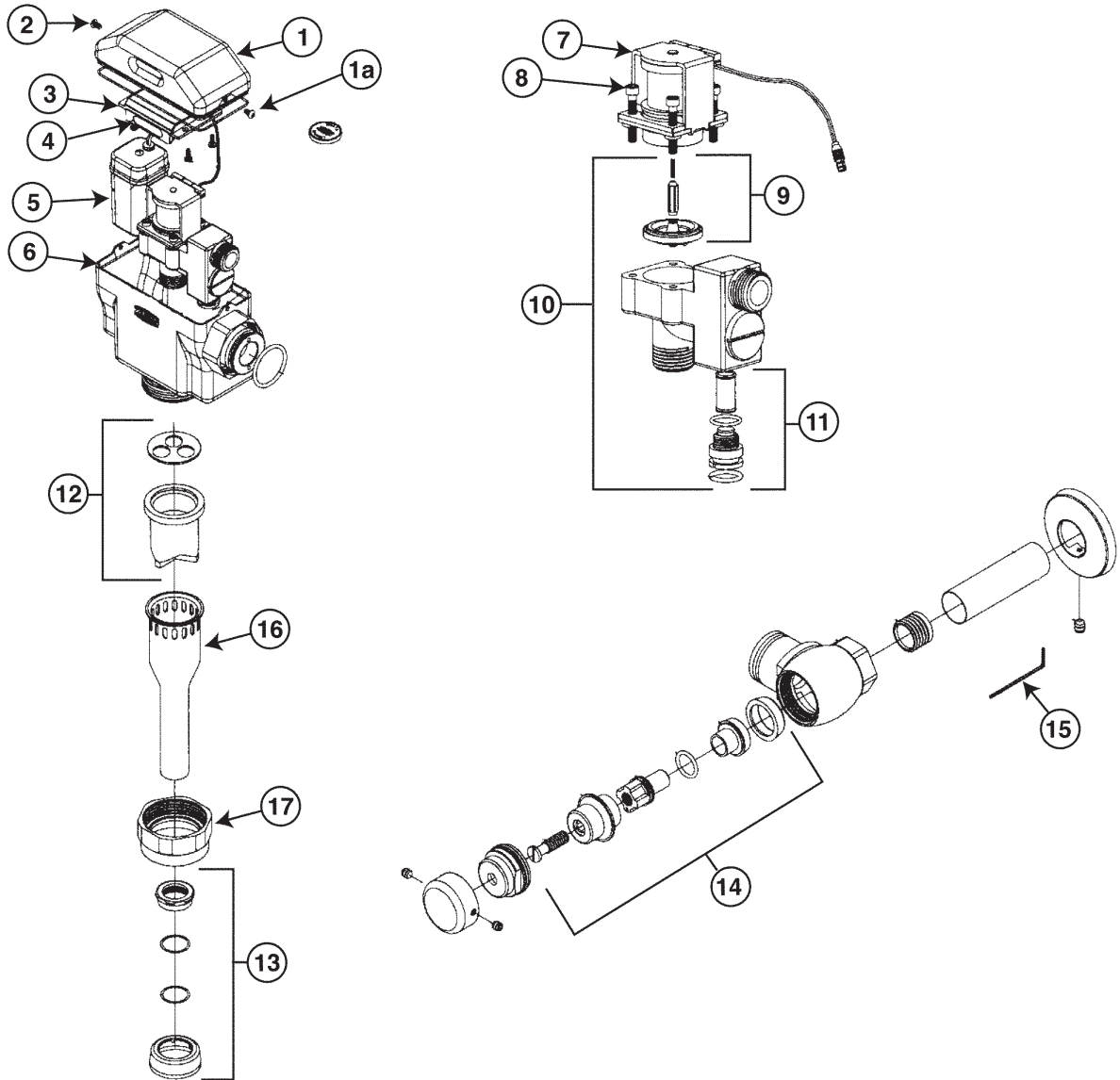
GREENVILLE
800/476-2212

LOOK FOR US ON THE WEB AT: www.TMSSouth.com

FLUSH VALVES

ZEG6003EV 1/8TH GALLON URINAL PARTS BREAKDOWN

ITEM	PART #	DESCRIPTION	ITEM	PART #	DESCRIPTION
1		Cover	8		Screw
1a		Cover o-ring	9	40291043	1/8th GPF Solenoid repair kit
2		Cover screw	10		1/8th GPF Valve body replacement kit
3		Electronics assembly	11	40291044	1/8th GPF Filter replacement kit
4		Lens assembly	12		Vacuum Breaker repair kit
5		Battery tray	13		3/4" Flush connection and spud coupling
6		Housing	14		3/4" Control stop repair kit for 1" and 3/4"
7		Solenoid	15		Hex wrench
7-8		Solenoid replacement kit	16		Vacuum breaker tube
			17		Vacuum breaker tube nut



**TOTAL
MAINTENANCE
SOLUTIONS**

HOUSTON
800/392-5066

ORLANDO
800/327-3022

GREENVILLE
800/476-2212

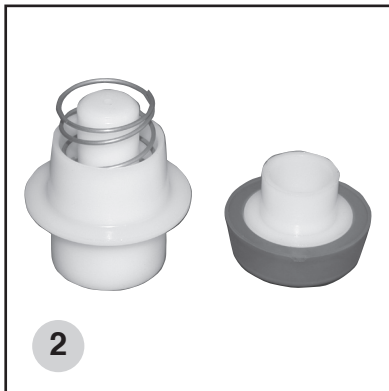
LOOK FOR US ON THE WEB AT: www.TMSSouth.com

FLUSH VALVES

COMMON ZURN FLUSH VALVE REPAIR PARTS



1. AQUAFLUSH REPLACEMENT DIAPHRAGM WITH FLOW RINGS
Part # 40291027



2. SD STOP VALVE REPAIR KIT – 1"
Part # 92997016



3. VACUUM BREAKER REPAIR KIT
Part # 40291040



4. PLASTIC INSIDE COVER
Part # 40221170

5. CLOSET KIT

Part #	Description
40291036	4.5 gpf, closet
40296035	3.5 gpf, closet
40296011	1.6 gpf, closet
40291025	1.5 gpf, urinal
40291031	1.0 gpf, urinal

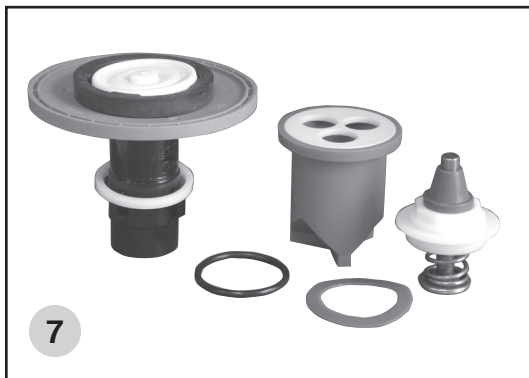


6. SIDE HANDLE REPAIR KIT (REPLACES B-50-A)
Part # 92997014

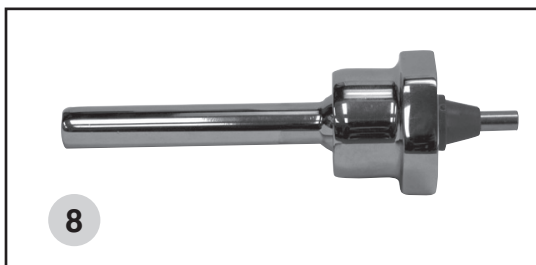


7. MASTER PARTS REPAIR KIT

Part #	Description
92998120	4.5 gpf, closet
40291041	3.5 gpf, closet
40296011	1.6 gpf, closet
40291042	1.5 gpf, urinal
92998160	1.0 gpf, urinal



8. ADA FLUSH VALVE HANDLE
Part # 40262002



TOTAL MAINTENANCE SOLUTIONS

HOUSTON
800/392-5066

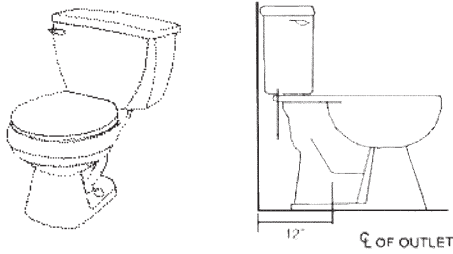
ORLANDO
800/327-3022

GREENVILLE
800/476-2212

LOOK FOR US ON THE WEB AT: www.TMSSouth.com

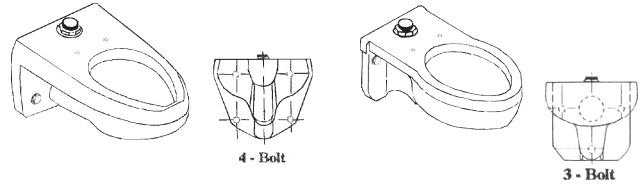
TOILET & TANK REPAIRS

TOILET COMBINATIONS – GRAVITY TOILET (1.6 GPF)



PART #	DESCRIPTION
40210027	Round front combination 10" rough-in
40210027	Round front combination 12" rough-in
74000710	Elongated combination 10" rough-in
40210048	Elongated combination 12" rough-in
40210029	17" high combination 12" rough-in ADA

FLUSH VALVE TOILETS - WALL MOUNTED (1.6 GPF)



PART #	DESCRIPTION
40210024	A/S elongated W/H 1-1/2" Top Spud 4 bolt
74003446	Crane elongated W/H 1-1/2" Top Spud 4 bolt
40211003	Kohler elongated W/H 1-1/2" Top Spud 4 bolt
40210032	Kohler elongated W/H 1-1/2" Top Spud 3 bolt

FLUSH VALVE TOILETS - FLOOR MOUNTED (1.6 GPF)



PART #	DESCRIPTION
40210019	Elongated 1-1/2" Top Spud 10" or 12" rough-in
40210033	Elongated 1-1/2" Top Spud 17-1/2" high 10" or 12" rough-in ADA
74004486	Elongated 1-1/2" Top Spud Wall Outlet

JOHNNY COVERS

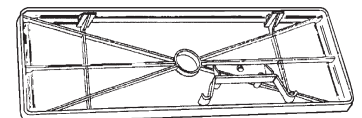
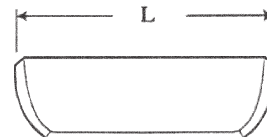
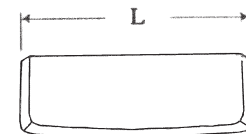
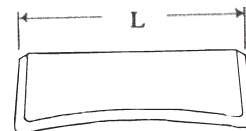
JohnnyCovers™ are the world's first and only disposable urinal covers. They were created to provide an economical and professional way to take a malfunctioning urinal out of service. JohnnyCovers™ are designed to fit any size wall-mounted urinal. They can also be used on many toilets and drinking fountains.

PART # 40201010



TANK TOPS

PART #	DESCRIPTION
74004049	American Standard F4049
74004083	American Standard F4083
74004078	American Standard F4078
74005018	Am. Std. Cadet II 1.6 gpf
74005003	Am. Std. Colony 1.6 gpf
74007401	Briggs 7401
74007421	Briggs 7421
74000299	Gerber 28-299
74000799	Gerber 28-799
74004552	Kohler K-4552 (length 22-1/8")
74004556	Kohler K-4556 (length 20-1/2")
74004558	Kohler K-4558 (length 20-1/8")
74001000	Economy Fit-All
74001010	Heavy Duty Fit-All (Plastic)
74001005	Toilet Tank Liner Kit



**TOTAL
MAINTENANCE
SOLUTIONS**

HOUSTON
800/392-5066

ORLANDO
800/327-3022

GREENVILLE
800/476-2212

LOOK FOR US ON THE WEB AT: www.TMSSouth.com

TOILET & TANK REPAIRS

**INSTALL A TOILET ANYWHERE YOU LIKE...
...FOR LESS THAN YOU THINK
WITH**



SANIPLUS MACERATING PUMP

PART # 40211402 – Pumps as high as 15 feet or as long as 150 feet. It can handle up to four fixtures; toilet, hand basin, shower and bathtub

SANIBEST GRINDER PUMP

PART # 40211336 – Pumps as high as 18 feet or as long as 200 feet. The grinder is also able to deal with sanitary articles that may have been flushed down by accident.

WHITE TOILET TANK

PART # 40211400 – Flushes 1.6 gallons per flush.

WHITE TOILET BOWL

PART # 40211401 – Elongated and ADA compliant (16-3/4" high)

SANICOMPACT 48

PART # 40211403 – self-contained china toilet that uses 1.1 gallons per flush. The macerator is within the bowl. This toilet is for use with people that have physical limitations.

SANIVITE

PART # 40211304 – gray water pump ideally suitable for use with a kitchen sink, laundry sink, bar sink or dishwasher. It will pump waste water away at 10psi and 16 feet high or 150 feet horizontally.

SANIFLO EXTENSION

PART # 40211313 – gives the ability to conceal the macerator unit in wall if needed.



TK-200 TOILET KART

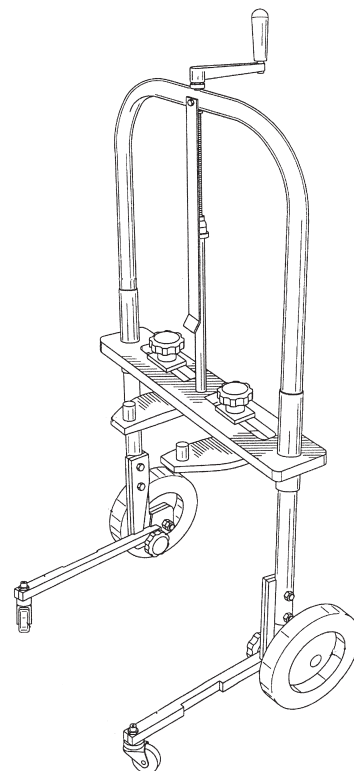
- Lightning Speed Installations.
- Cleaner Repair Jobs.
- Easily Replace the Wax Seal.
- Toilet Won't Fall Off.
- Roll Toilet Up & Downstairs & Out to the Truck.
- Legs fold up for compact storage.

Save Your Back!

PART # 20401000



**DON'T LIFT
THAT HEAVY
TOILET!**



FITS MOST TOILETS



**TOTAL
MAINTENANCE
SOLUTIONS**

HOUSTON
800/392-5066

ORLANDO
800/327-3022

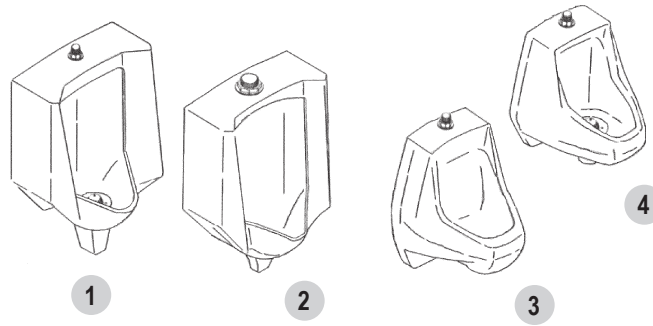
GREENVILLE
800/476-2212

LOOK FOR US ON THE WEB AT: www.TMSSouth.com

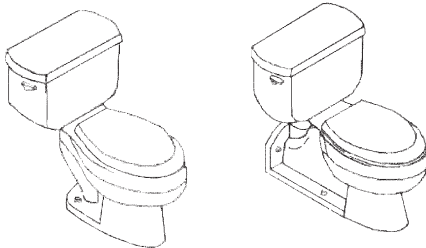
TOILET & TANK REPAIRS

URINALS

ITEM	PART #	DESCRIPTION
1	40210026	Washout urinal 1.0 gpf 3/4" Top Spud
2	74004970	Blow-out urinal 1.0 gpf 1-1/4" Top Spud
3	40210034	Siphon jet urinal 1.0 gpf 3/4" Top Spud
4	40211341	Washout urinal 1.0 gpf 3/4" Top Spud (Exposed Trap)



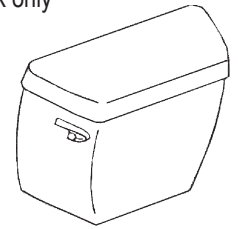
TOILET COMBINATIONS – PRESSURIZED TOILET (1.6 GPF)



PART #	DESCRIPTION
74003458	Elongated combination 12" rough-in
74003546	Elongated combination - Rear outlet

TOILET TANKS

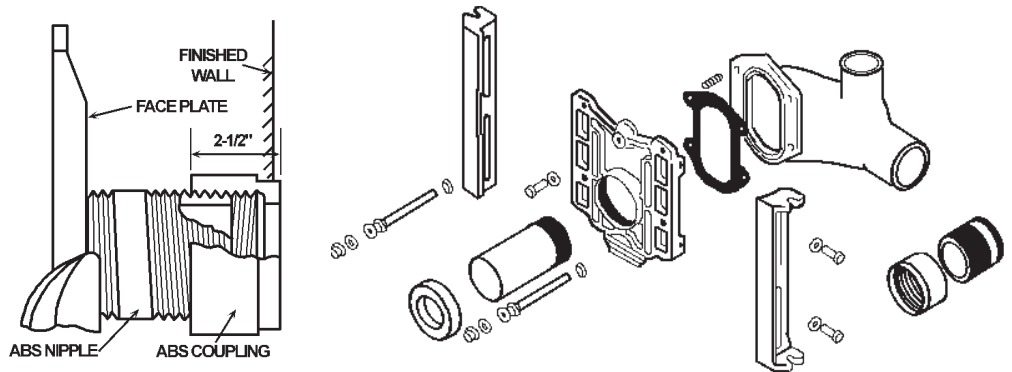
PART #	DESCRIPTION
74003500	Geberit plastic universal replacement tank
74000290	Gerber 1.6 gpf – tank only
74004620	Kohler Wellworth 1.6 gpf – tank only
74004072	Am. Std. Cadet II 1.6 gpf – tank only
74004092	Am. Std. Colony 1.6 gpf – tank only



CALL FOR ROUGHING - IN MEASUREMENTS ON ALL FIXTURES

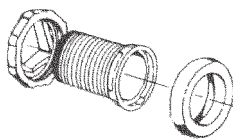
J.R. SMITH "LINEBACKER" CLOSET CARRIERS

PART #	DESCRIPTION
39762002	3-1/4" ABS Nipple
40300187	8-1/4" ABS Nipple
40300180	2-1/2" ABS Coupling



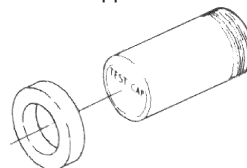
ABS ADJUSTABLE EXTENSION FOR JOSAM "UNITRON" CARRIERS

"Fine" thread. Available in 9-1/4" and 12-1/4" Cast Iron. 6-1/4" length. PART # 39472004



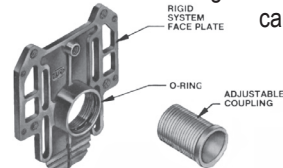
FOR JOSAM 12000 SERIES & WADE

PART #	DESCRIPTION
39474002	7" ABS Nipple
39474004	12" ABS Nipple



FOR ZURN 1203 & 1204 SERIES

PART #	DESCRIPTION
39994002	10" ABS Nipple
39994004	O-ring for sealing at carrier face



HOUSTON
800/392-5066

ORLANDO
800/327-3022

GREENVILLE
800/476-2212

LOOK FOR US ON THE WEB AT: www.TMSSouth.com

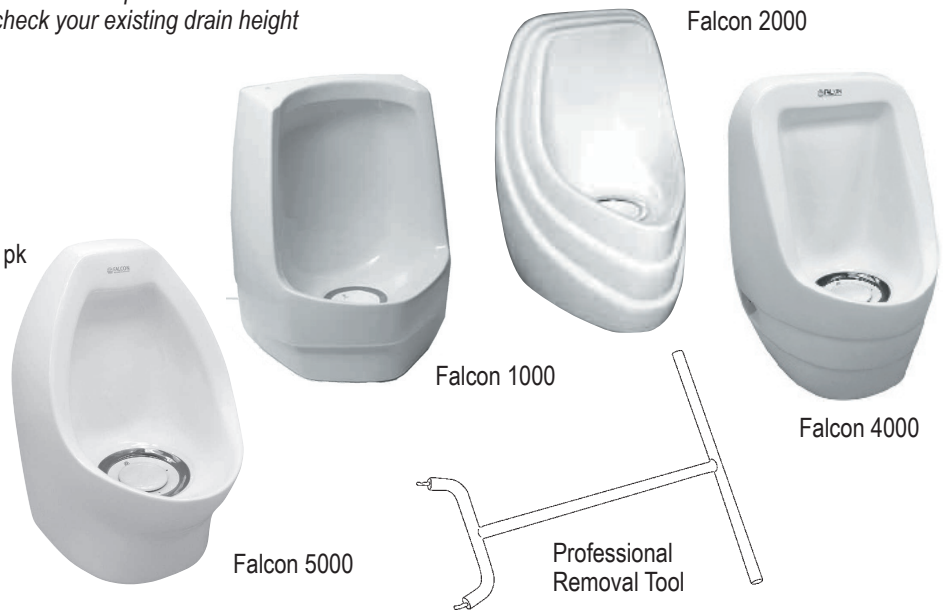
TOILET & TANK REPAIRS

FALCON WATERFREE URINALS

Falcon waterfree urinals reduce water and sewer costs, maintenance and repair bills, and create more hygienic, odor-free restrooms. A patented, sealed cartridge eliminates the need for water, typically conserving 40,000 gallons per unit per year. Purchasing and installing Falcon waterfree urinals is less expensive than manual and automatic flush units because flush valves and associated piping are not required. Maintenance costs and vandalism problems associated with flush valves are also eliminated. Please check your existing drain height – 18" or less acceptable.



PART #	DESCRIPTION
40600022	Falcon 1000 Waterfree urinal
40600023	Falcon 2000 Waterfree urinal
40600024	Falcon 4000 Waterfree urinal
40600025	Falcon 5000 Waterfree urinal
40600019	Replacement cartridge
40600021	Replacement cartridges – 20 pk
20401022	Professional Removal Tool



ZURN ECOVANTAGE SERIES FLUSH VALVE TOILETS

Superior flushing action, 1.28 gallon flush.

PART #	DESCRIPTION
40291049	Model Z5615 Elongated, Wall hung Toilet
40291050	Model Z5655 Elongated, Floor mounted Toilet

ECOVANTAGE Z5798 ULTRA LOW CONSUMPTION URINAL

1/8 gallon of water per flush. Saves over 30,000 gallons per year over standard urinal. Sanitary, hands free operation.

40291051	Model Z5798 "The Pint", Top spud, 0.125 ultra low consumption stall urinal
----------	--



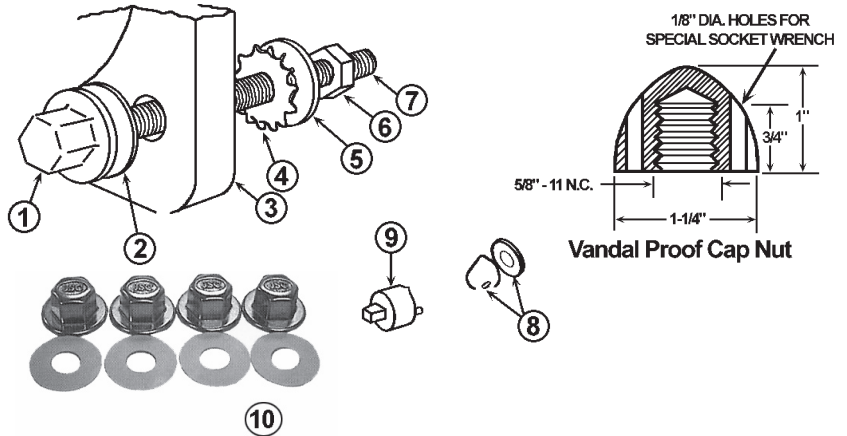
HOUSTON 800/392-5066 ORLANDO 800/327-3022 GREENVILLE 800/476-2212

LOOK FOR US ON THE WEB AT: www.TMSSouth.com

TOILET & TANK REPAIRS

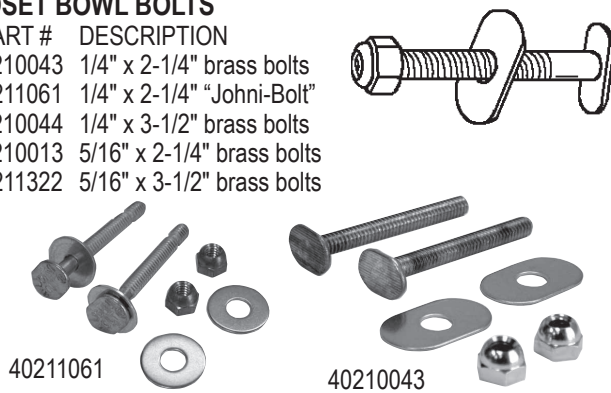
CLOSET CARRIER PARTS

ITEM	PART #	DESCRIPTION
1	40300214	Chrome washer nut
2	40300209	Fiber washer
3		Closet flange
4	40300211	Bowl stabilizer washer
5	39472008	Metal washer
6		Back-up nut
7		Mounting stud (specify length)
8	39942010	Vandal proof trim kit
9	39942012	Socket for vandal proof trim kit
10	40300710	Trim kit (contains 4 each item 1 and item 2)



CLOSET BOWL BOLTS

PART #	DESCRIPTION
40210043	1/4" x 2-1/4" brass bolts
40211061	1/4" x 2-1/4" "Johni-Bolt"
40210044	1/4" x 3-1/2" brass bolts
40210013	5/16" x 2-1/4" brass bolts
40211322	5/16" x 3-1/2" brass bolts



CLOSET TANK TO BOWL BOLTS

PART #	DESCRIPTION
40211048	5/16" x 3-1/4" Tank Bolt Combination (Pr)
7100324	Adjustable Tank Bolt Combination (Pr)



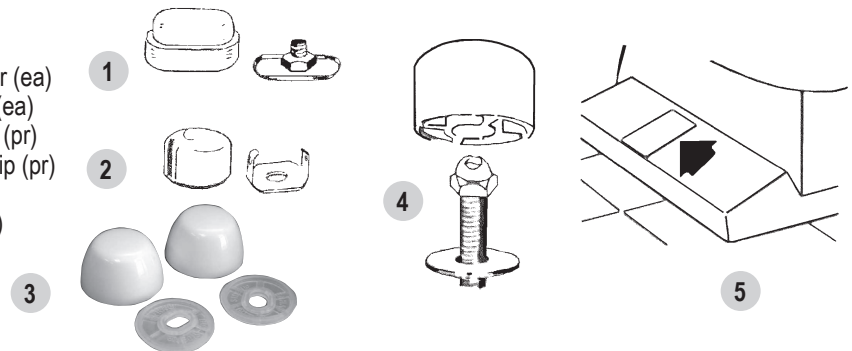
CLOSET BOWL SCREWS

PART #	DESCRIPTION
40210062	1/4" x 2-1/2" brass screws
40211319	1/4" x 3-1/2" brass screws



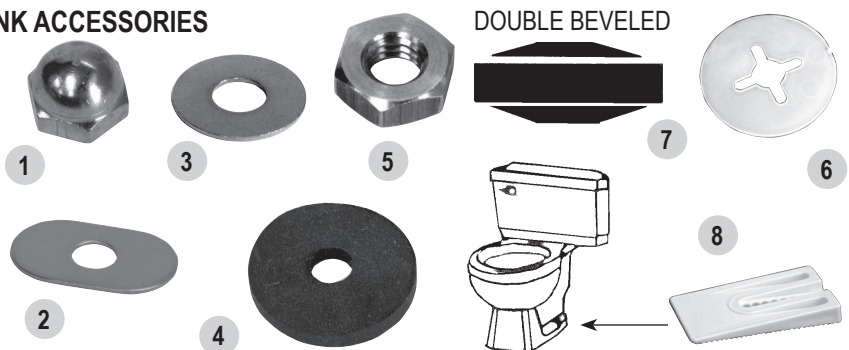
TOILET BOLT CAPS

ITEM	PART #	DESCRIPTION
1	7100404	Oval plastic cap with S/S washer (ea)
2	7100406	Round plastic cap with S/S clip (ea)
	7100407	Round plastic cap w/clip - beige (pr)
3	40211188	Round plastic cap with plastic clip (pr)
4	7100410	Round plastic press-on cap (ea)
5	7100412	Snap-on cap for Eljer toilets (ea)



CLOSET BOWL BOLT, SCREW & BOWL TO TANK ACCESSORIES

ITEM	PART #	DESCRIPTION
1	40210063	1/4" CP Acorn nut closed end
	40210064	1/4" CP Acorn nut open end
2	40210065	S/S oval washer
3	40210066	S/S round washer
4	40211320	Rubber washer for tank to bowl
5	40210067	Brass nut for tank to bowl
6	40211321	Speed nut
7	7100326	Tank to bowl washers - Kohler
8	40211225	Toilet stabilizer shims (8)



MORE SHIMS ON PAGE 2-12



**TOTAL
MAINTENANCE
SOLUTIONS**

HOUSTON
800/392-5066

ORLANDO
800/327-3022

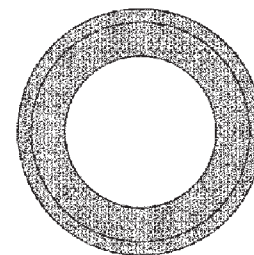
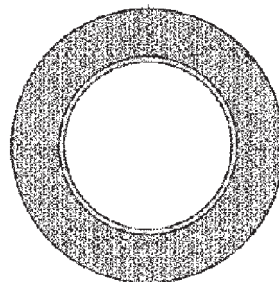
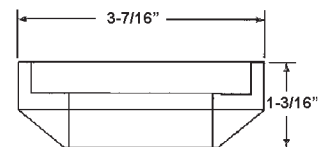
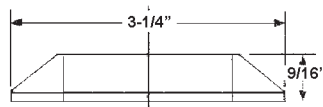
GREENVILLE
800/476-2212

LOOK FOR US ON THE WEB AT: www.TMSSouth.com

TOILET & TANK REPAIRS

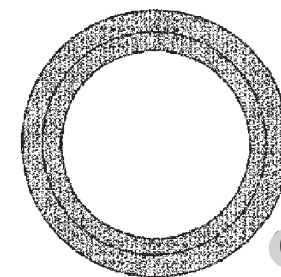
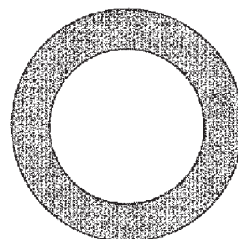
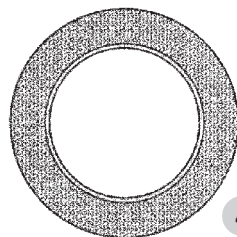
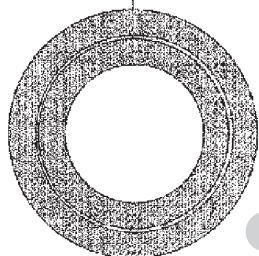
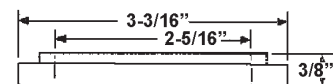
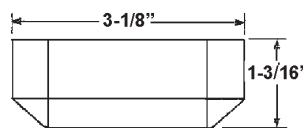
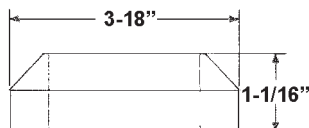
TANK TO BOWL GASKETS

ITEM	PART #	DESCRIPTION
1	40210041	American Standard
2	40211299	American Standard & Crane
3	44585004	American Standard
4	44585006	Crane
5	40211051	Crane & Gerber
6	44735026	Eljer
7	40211288	Kohler
8	44695021	Kohler Wellworth
9	40211054	American Standard
10	44735040	Eljer
11	40211056	Kohler Well worth (new style)
12	40950108	Gerber
	44733123	Mansfield (not shown)



1

2

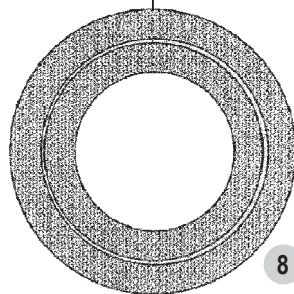
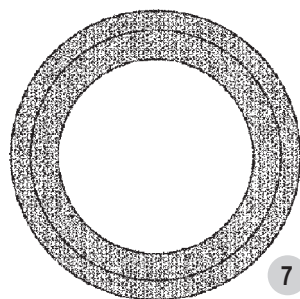
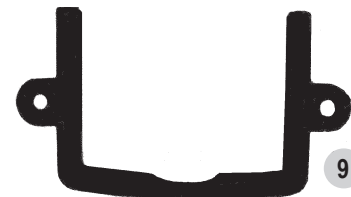
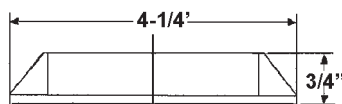
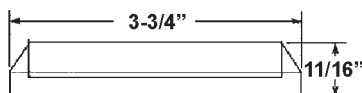


3

4

5

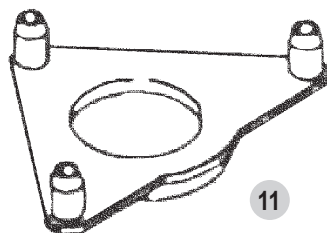
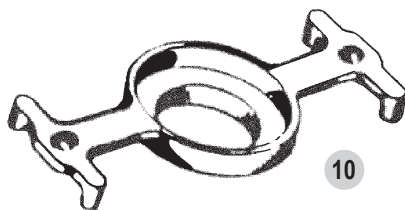
6



9

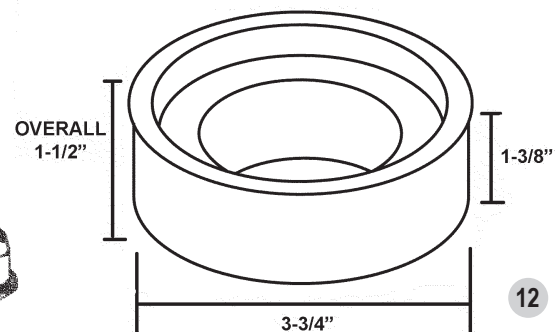
7

8



10

11



12



**TOTAL
MAINTENANCE
SOLUTIONS**

HOUSTON
800/392-5066

ORLANDO
800/327-3022

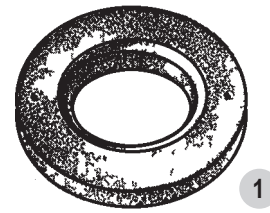
GREENVILLE
800/476-2212

LOOK FOR US ON THE WEB AT: www.TMSSouth.com

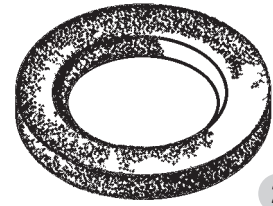
TOILET & TANK REPAIRS

CLOSET BOWL CUSHIONS & GASKETS

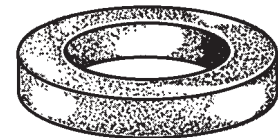
ITEM	PART #	DESCRIPTION
1	7100102	Wide flange type w/bolt holes 6-3/4"OD x 3-1/2"ID x 3/4"
2	40211233	Ring type w/no bolt holes 5-3/8"OD x 3-1/2"ID x 3/4"
3	40211016	Regular wax gasket for floor bowls only.
	40211005	Urethane wax gasket for floor or wall bowls
4	40210021	Regular wax gasket for floor bowls only
	40211001	Urethane wax gasket for floor & most wall bowls
5	40211014	Extra Thick wax seal – floor bowls only
6	40211234	Urethane wax gasket for floor bowls only (4" lines)
7	40211224	Felt type gasket for 4" lines. 5"ODx 3-3/8"IDx 3/4"
8	40211223	Sponge type gasket for 4" lines. 5-1/8"ODx 3-3/8"IDx 3/4"
9	40291034	Zurn "Neo-Seal" Sponge gasket with adhesive.
10	40211377	Wax free toilet seal connects toilets to 3" drains
11	40211378	Wax free toilet seal connects toilets to 4" drains



1



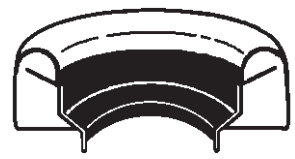
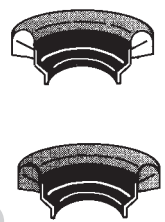
2



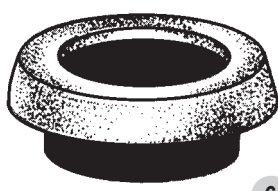
3



4



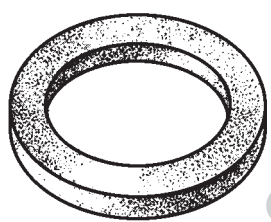
5



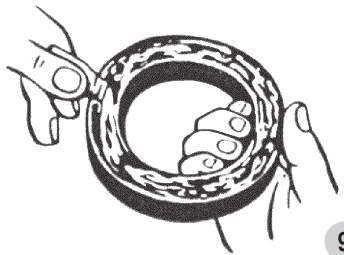
6



7



8



9

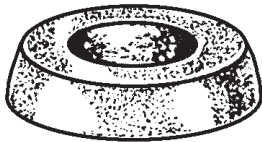


10

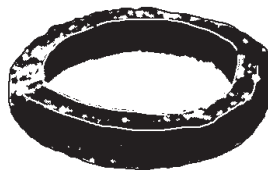


11

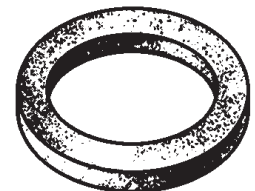
URINAL GASKETS



PART # 40211012
DESCRIPTION Urethane wax gasket for 2" outlets

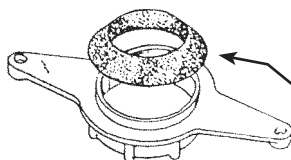


PART # 40210239
DESCRIPTION Felt type gasket 3-1/2"ODx 2"IDx 3/4"



PART # 40211237
DESCRIPTION Sponge type gasket 4-3/8"ODx 2-7/8"IDx 1/2"

PART # 40210042
DESCRIPTION Sponge type gasket 3"ODx 2-1/8"IDx 3/8"



PART # 40210041
DESCRIPTION Sponge type gasket (Kohler) 3-1/4"ODx 2-1/16"IDx 9/16"

PVC Urinal Flange Kit
Part # 96690404
(Not shown)



HOUSTON
800/392-5066

ORLANDO
800/327-3022

GREENVILLE
800/476-2212

LOOK FOR US ON THE WEB AT: www.TMSSouth.com

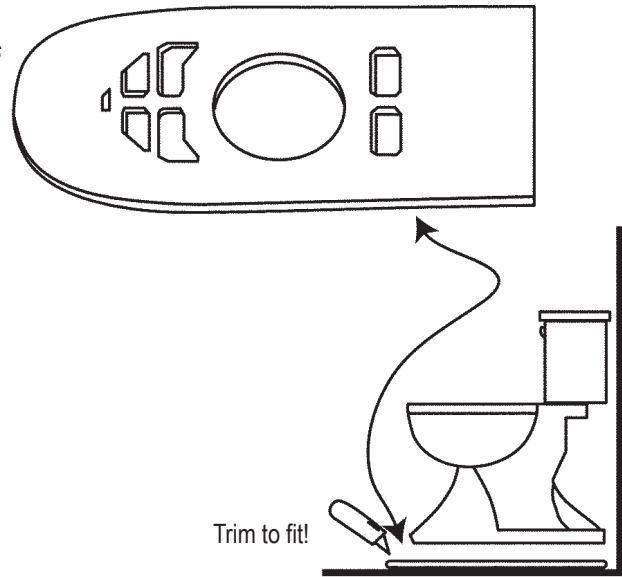
TOILET & TANK REPAIRS

BIG FOOT TOILET GASKETS

BIG FOOT II TOILET/BIDET FLOOR GASKET

- Seals all toilets 4.5 GPF through 1.6 GPF, round and elongated bowls, square and round fronts, standard and to the wall mounts
- TP rubber construction creates a total seal
- Self forming material eliminates wobbles and rocking
- Trim with ordinary razor blade knife
- Greatly reduces risk of cracked bowls
- Protects the ceiling below from water damage
- Protects against cracked mounting flanges
- Available in standard white – custom colors upon request

PART # 7100860
Self shimming soft floor gasket

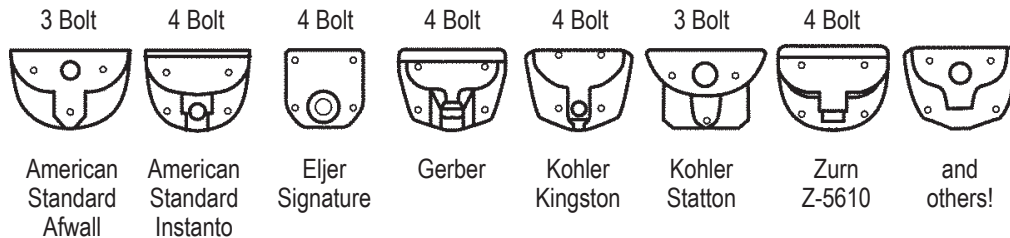
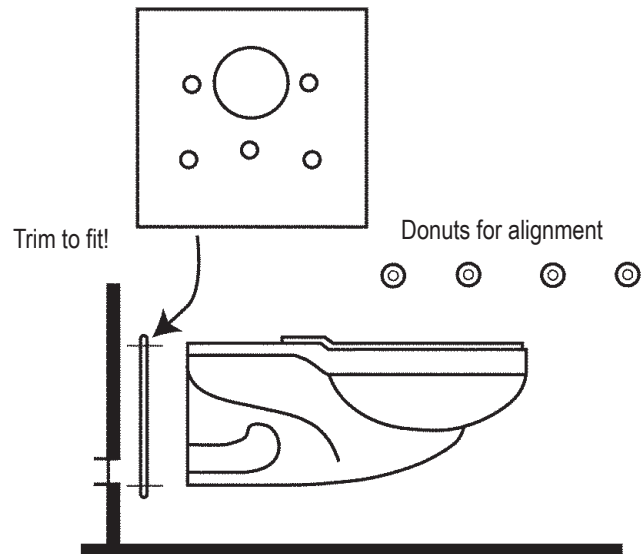


BIG FOOT IV WALL HUNG STABILIZER SEAL GASKET

- Same features as one pictured above

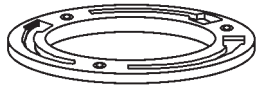
PART # 7100850
Self shimming soft wall gasket

FITS MOST 3 AND 4 BOLT PATTERNS!



TOILET & TANK REPAIRS

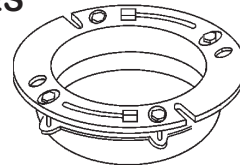
FLANGES



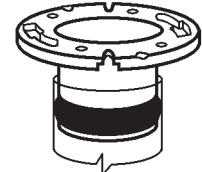
PART # 7100328
DESCRIPTION 14 oz. Brass closet flange



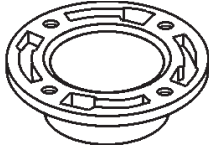
PART # 7100329
DESCRIPTION 1-1/8" Deep brass closet flange



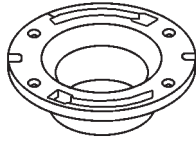
PART # 7100113
DESCRIPTION No Caulk closet flange C.I. (4")



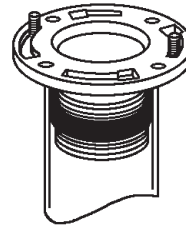
PART # 40210016
DESCRIPTION 4" Street compression closet flange



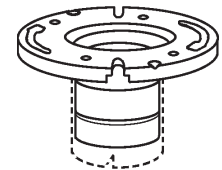
PART # 96925902
DESCRIPTION 4" PVC closet flange



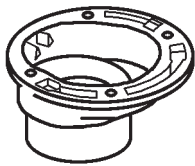
PART # 40851019
DESCRIPTION 4" or 3" PVC closet flange



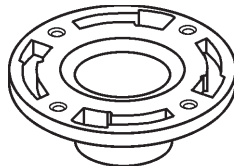
PART # 40211253
DESCRIPTION PVC Twist-N-Set closet flange



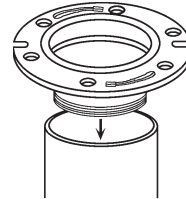
PART # 40211294
DESCRIPTION 3" Inside compression flange



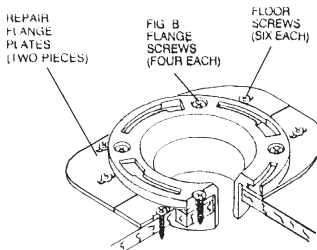
PART # 96690400
DESCRIPTION 2" Offset closet flange for 3" or 4" line



PART # 7100115
DESCRIPTION 3" street closet flange



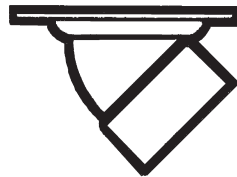
PART # 7100442
DESCRIPTION 3" x 2" Cast iron two finger flange



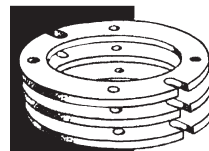
PART # 40211307
DESCRIPTION Repair flange kit (closet flange not included)

PART # 40211252
DESCRIPTION 3" street long closet flange

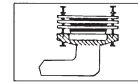
PART # 40211295
DESCRIPTION 4" street long closet flange



PART # 7100341
DESCRIPTION 45 degree adj. closet flange for 3" line



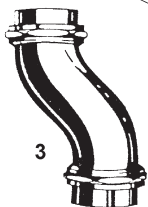
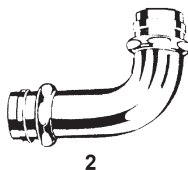
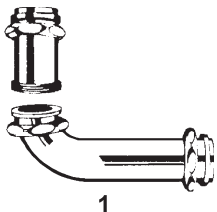
PART # 40211015
DESCRIPTION Closet flange extension



PART # 40211339
DESCRIPTION Spanner repair flange

TANK BENDS

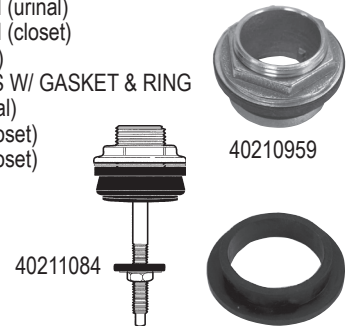
ITEM	PART #	DESCRIPTION
1	50552452	2"x 6" x 8" Repair flush ell
2	40800574	2"x 6" x 8" Closet tank ell
3	50552456	2"x 1-1/2" x 6" Closet offset



BRASS CLOSET & URINAL SPUDS

PART #	DESCRIPTION
40210960	1-1/4" x 1-1/4" Spud (urinal)
40210959	1-1/2" x 1-1/2" Spud (closet)
40210058	2" x 2" Spud (closet)
40210961	1" x 3/4" Spud (urinal)
40210020	2" x 1-1/4" Spud (closet)
40211068	2" x 1-1/2" Spud (closet)
40211020	SPUD WASHERS 3/4"
40211019	1-1/4"
40211018	1-1/2"
40211087	2"

40211084 Kohler 3/4" Flow Control Spud
09898763 Kohler 1-1/4" Flow Control Spud



40210959

40211084

40211018



TOTAL MAINTENANCE SOLUTIONS

HOUSTON
800/392-5066

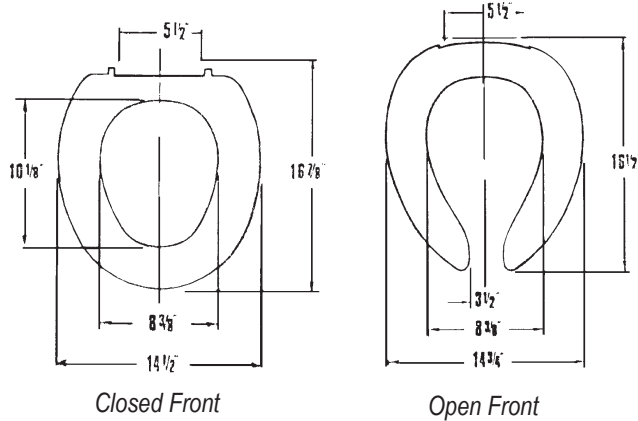
ORLANDO
800/327-3022

GREENVILLE
800/476-2212

LOOK FOR US ON THE WEB AT: www.TMSSouth.com

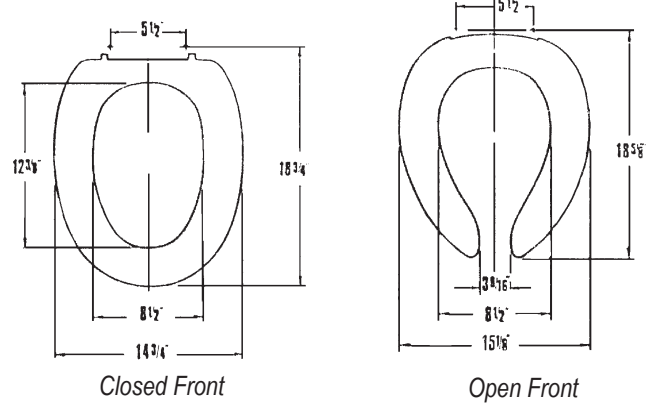
TOILET & TANK REPAIRS

TOILET SEATS - REGULAR BOWL



PART #	DESCRIPTION
40211080	Closed front w/ lid, white wood
40211032	Closed front w/ lid, white plastic
40211027	Open front, no lid, black plastic
40211026	Open front, no lid, white plastic
73140100	Open front, w/ lid, white plastic

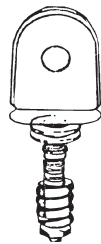
TOILET SEATS - ELONGATED BOWL



PART #	DESCRIPTION
40211245	Closed front w/lid, white wood
40211031	Closed front w/lid, white plastic
40211303	Open front w/lid, white plastic
40211025	Open front, no lid, black plastic
40211024	Open front, no lid, white plastic

REPLACEMENT PARTS FOR SPERZEL SEATS

PART #	DESCRIPTION
74810100	Snap-in seat bumper – new style – white
74810104	Snap-in seat bumper – old style – white
74810108	Self-sustaining check hinge assy. – white
74810112	Self-sustaining check hinge assy. – black
74810116	Hinge cover – white, new style, 3/8" hole
74810120	Hinge cover – white, old style, 1/2" hole
40211315	Bolt, washer nut (pr.)



Check Hinge Assembly



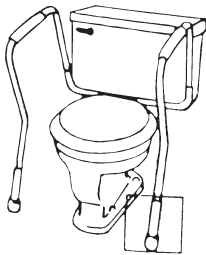
Eccentric Washer
STOPS Toilet Seat Wobbling
PART # 40211240



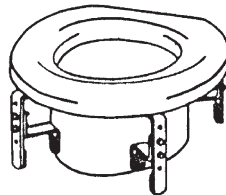
Snap - In Bumper
74810100

SPECIAL SEATS/PROPRIETARY SEATS

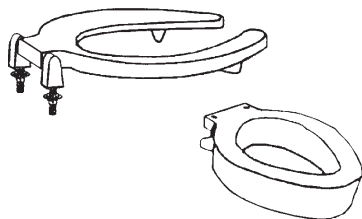
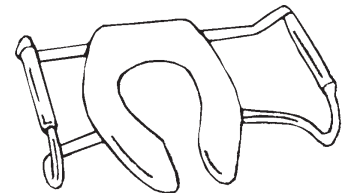
Adjustable support arms. Five height adjustments from 26" to 30".
PART # 80770600



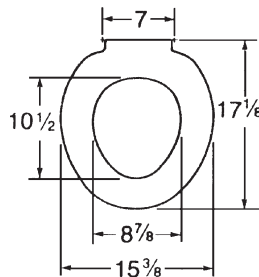
Adjustable raised toilet seat. Seat height adjusts from 4.5" to 6.5" above existing toilet bowl. Use in conjunction w/ support arms.
PART # 80776490



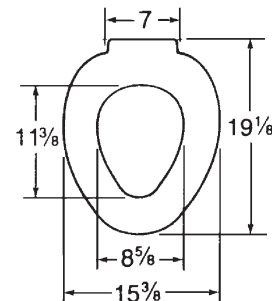
Medic-Aid Toilet Seat. Fits elongated bowl. PART # 73061900



Closed front w/ cover for regular bowl. 7" centers through tank. Fits Case one-piece toilets. White. PART # 73671050



Closed front w/ cover for elongated bowl. 7" centers through tank. Fits Case one-piece toilets. White. PART # 73671100



PART #	DESCRIPTION
40211289	2" Lift seat
73064000	3" Seat lift
40211257	Industrial elongated, O/F, no lid
73141099	Heavy duty elongated

Special Seats/
Proprietary Seats
continued on
next page



**TOTAL
MAINTENANCE
SOLUTIONS**

HOUSTON
800/392-5066

ORLANDO
800/327-3022

GREENVILLE
800/476-2212

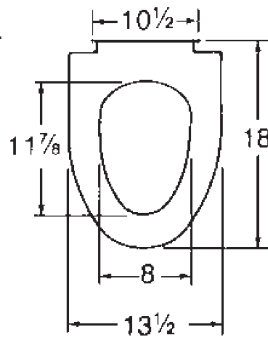
LOOK FOR US ON THE WEB AT: www.TMSSouth.com

TOILET & TANK REPAIRS

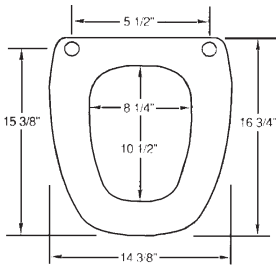
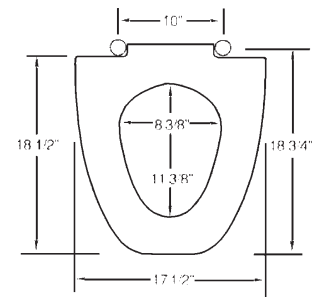
SPECIAL SEATS/PROPRIETARY SEATS

continued from previous page

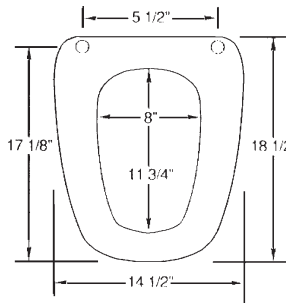
Closed front w/ cover for elongated bowl. 10-1/2" centers through tank. Fits Case one-piece toilets. White. PART # 73671000



Closed front w/ cover for elongated bowl. 10" centers through bowl. Fits American Standard Luxor, Roma or Carlyse. White. PART # 40211301

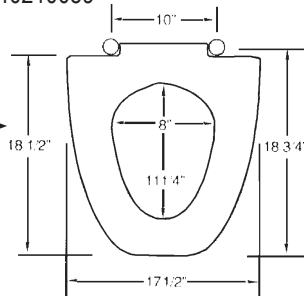


Closed front w/ cover for regular bowl. 5-1/2" centers through bowl. Fits Eljer Emblem. White. PART # 40210059

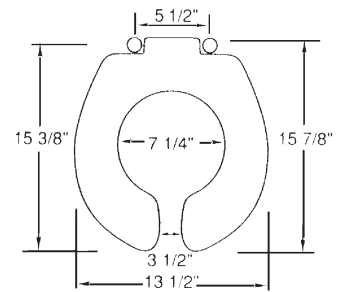


Closed front w/ cover for elongated bowl. 5-1/2" centers through bowl. Fits Eljer Emblem. White. PART # 40211311

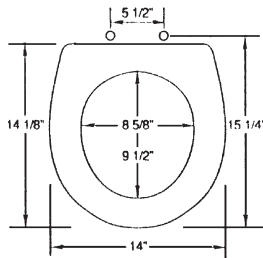
Closed front w/ cover for elongated bowl. 10" centers through bowl. Fits American Standard Ellisse. White. PART # 73060312



Open front w/o cover for baby bowls. 5-1/2" centers through bowl. White. PART # 40211302



Closed front w/ lid for trailer or marine closets. 5-1/2" centers through bowl. White. PART # 73060400



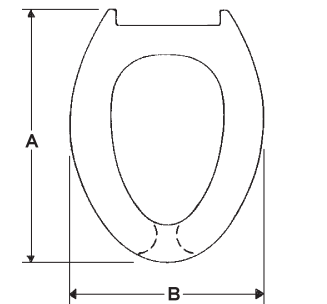
PART # 73144675

DESCRIPTION

Kohler proprietary seat – Rochelle: A=19-3/8" B= 14-7/16".

73144691

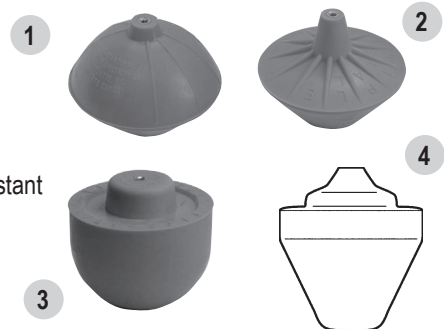
5-1/2" centers through bowl. White
Kohler proprietary seat – Champlain: A=18-7/16" B= 14-1/4". 7" centers through tank. White



TANK BALLS

ITEM PART # DESCRIPTION
1 40211326 Heavy Duty tank ball. For toilets with high refilling action. Chemical resistant
2 40211334 Tank ball 2-1/4" – 2-5/8" Chemical resistant.

ITEM PART # DESCRIPTION
2 40211142 Tank ball 3"
40211346 Same as 7072004, chemical resistant.
3 40210055 Eljer tank ball
7072120 Same as 40210055, chemical resistant
40211480 Medium Aristocrat (Kohler)
40211334 Large Aristocrat
4 40211144 Sealmaster B-255



TOTAL MAINTENANCE SOLUTIONS

HOUSTON
800/392-5066

ORLANDO
800/327-3022

GREENVILLE
800/476-2212

LOOK FOR US ON THE WEB AT: www.TMSSouth.com

TOILET & TANK REPAIRS



**HEAVYWEIGHT
TOILET SUPPORT SOLUTIONS**

Supports up to 1000 lbs. For use in public government buildings, sports facilities, commercial buildings, hospitals, other healthcare facilities, anywhere there's a wall mounted toilet!

UNIVERSAL TOILET SUPPORT



Affixes to any commercial vitreous china wall mounted toilet from manufacturers such as American Standard, Crane, Eljer, Kohler, Mansfield and Toto.

Part # 40300171

BIG JOHN TOILET SUPPORT



Mounts underneath the toilet bowl to redistribute weight. Simple to install. Maintains cleaning ability of wall mounted fixture – leg base can be raised up to 4" for cleaning access. Made of high-impact ABS. Carriage and foot are made of a stain resistant flexible PVC.

Part # 40211407

BIG JOHN TOILET SEATS

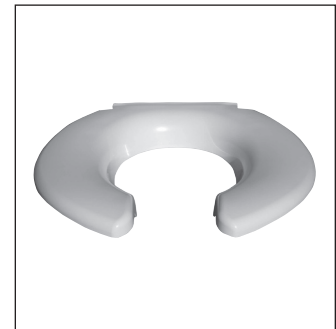
Ideal for Big and Tall/Plus Size consumers as well as senior citizens and the physically impaired. Made from the highest grade plastic that is chemical and stain resistant. Fits on all standard toilets, round or elongated. 2" higher than standard toilet seats. ADA Compliant, perfect for hospitals, health care facilities and public restrooms.



Elongated closed front with cover, white
40211404



Elongated open front with cover, white
40211405



Elongated open front without cover, white
40211406



**TOTAL
MAINTENANCE
SOLUTIONS**

HOUSTON
800/392-5066

ORLANDO
800/327-3022

GREENVILLE
800/476-2212

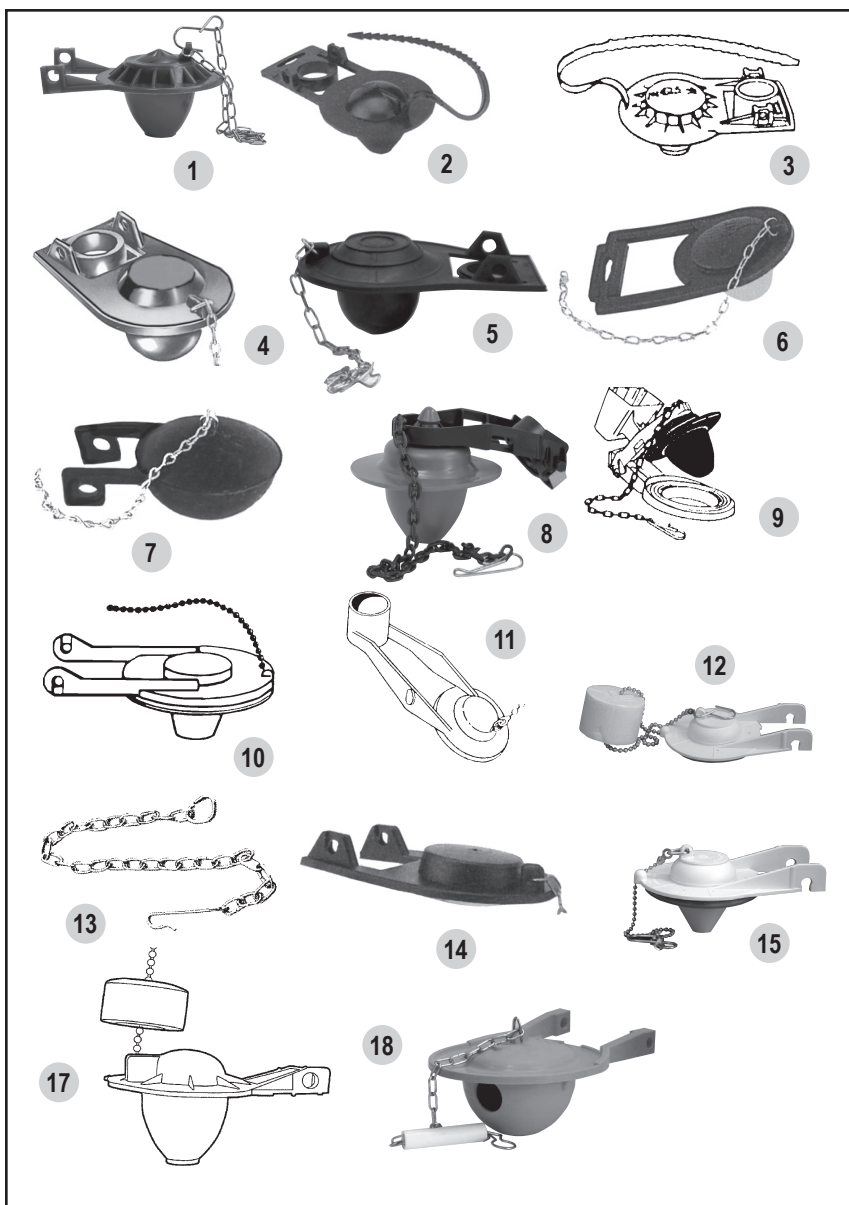
LOOK FOR US ON THE WEB AT: www.TMSSouth.com

TOILET & TANK REPAIRS

TOILET FLAPPERS

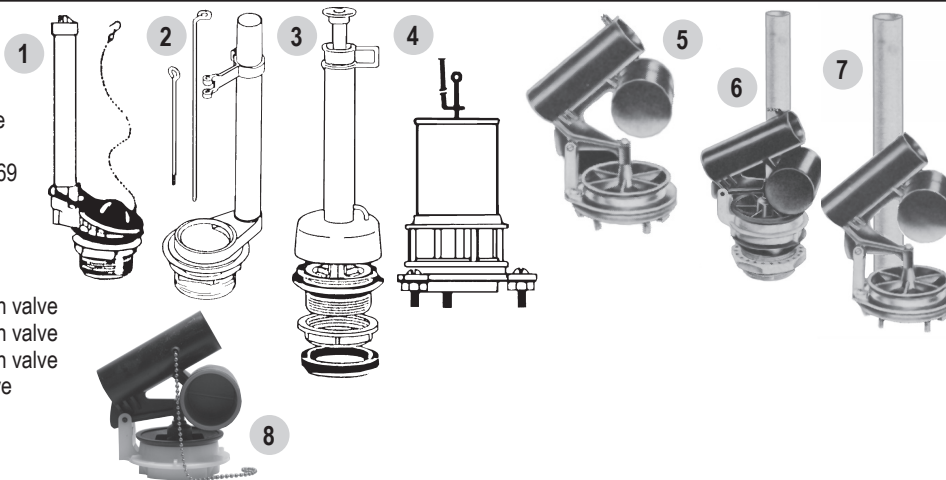
ITEM	PART #	DESCRIPTION
1	NLA	Black vinyl flapper w/ chain
	40211145	Blue vinyl flapper w/ chain *
2	NLA	Black vinyl flapper w/ strap
	40211292	Blue vinyl flapper w/ strap *
3	40211305	White vinyl flapper w/ strap
4	40210040	Korky (black) flapper w/ chain
	40210017	Korky (red) flapper w/ chain *
5	40210054	Universal flapper w/ chain
	7072108	Fits most conventional flush valves. Same as 7072008, chemical resistant.
6	40211440	Replacement flapper for Crane
7	40211348	Replacement flapper for Kohler
	40211327	Same as 7072009, chemical resistant.
8	40211291	Fluidmaster Bulls Eye "Super Flapper" Used as replacement for Flusher Fixer.**
9	40210053	Fluidmaster Flusher Fixer kit
10	40211513	White plastic flapper w/ styrofoam center. Fits Eljer.
11	40211152	Replacement for counter balance flush valves
12	40211154	White plastic flapper w/ float for 1.6 gpf toilets
13	7018007	Replacement chain for flappers
14	40140106	Replacement flapper for Kohler low boy toilets
15	40211222	White plastic flapper
16	07291325	Gerber timed flapper (not shown)
17	40120259	American Standard flapper
18	40211300	Toto flapper (red)
	40211196	Toto flapper (blue)
19	7018050	Fit all Lordahl flapper (not shown)

* Rubber/vinyl treated for harsh water



FLUSH VALVES

ITEM	PART #	DESCRIPTION
1	40211338	Plastic flush valve w/ flapper
2	40211557	Douglas type brass flush valve
3	40211126	Mansfield 210 flush valve
4	40211537	Kohler canister flush valve 9369
	40210056	Curtain #50 flush valve. Adapted for use with American Standard, Crane & Richmond.
5	40120205	American Standard No. 4 flush valve
6	40211186	American Standard No. 5 flush valve
7	40211178	American Standard No. 6 flush valve
8	40120206	American Standard Flush valve



**TOTAL
MAINTENANCE
SOLUTIONS**

HOUSTON
800/392-5066

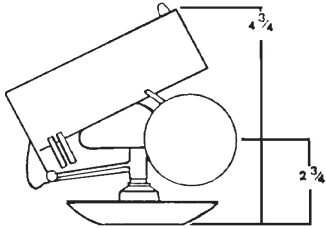
ORLANDO
800/327-3022

GREENVILLE
800/476-2212

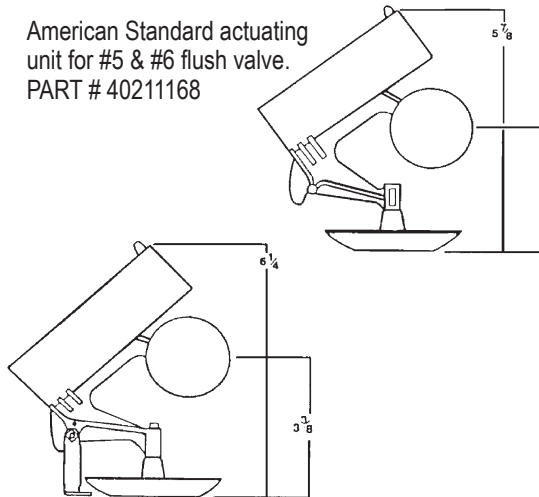
LOOK FOR US ON THE WEB AT: www.TMSSouth.com

TOILET & TANK REPAIRS

FLUSH VALVE COMPONENTS



American Standard actuating unit for #5 flush valve. PART # 40211173

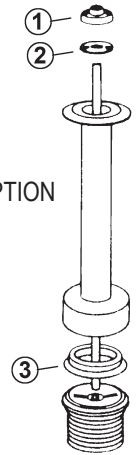


American Standard actuating unit for #5 & #6 flush valve. PART # 40211168

American Standard actuating unit for #4 flush valve. PART # 40211169

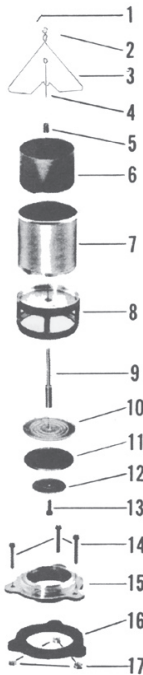
REPAIR PARTS FOR AMERICAN STANDARD N-3055 (OBSOLETE)

ITEM	PART #	DESCRIPTION
1	40211180	Grommet
2	40211181	Stop
3	40211182	Seal



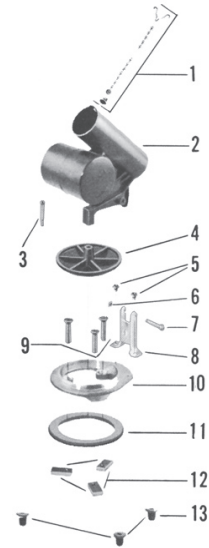
REPAIR PARTS FOR AMERICAN STANDARD #3 FLUSH VALVE (OBSOLETE)

ITEM	PART #	DESCRIPTION
1		Lift wire screw
2		Lift wire nut
3		Lift wire
4		Lift rod
5		Lift rod connection
6		Float
7		Housing
8		Housing support
9		Tie rod
10	01890102	Seat Disc washer
11	40211438	Seat washer
12	01890104	Seat washer holder
13	01890106	Seat washer screw
14		Seat bolt
15		Seat
16	01890108	Washer
17		Seat bolt nut



REPAIR PARTS FOR AMERICAN STANDARD #4 FLUSH VALVE

ITEM	PART #	DESCRIPTION
1	40120257	Lift chain assy.
1-4	40211169	Actuating unit
3	01894000	Screw for disc
4	40211172	Screw-on disc
5	01890760	Support leg screw
6	01890740	Nut
7	01890750	Screw
8	01890730	Support leg
9		F.H. screw
10		Seat
11	40211439	Seat
12	40211437	Fastening lug
13		Bolt hole seal



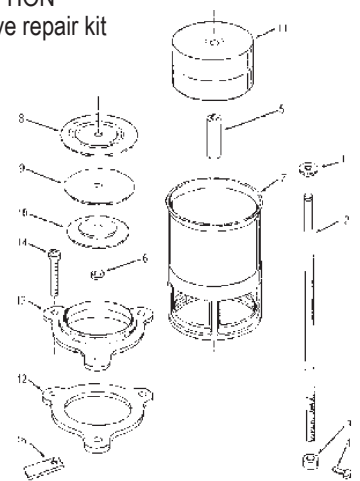
PARTS FOR AMERICAN STANDARD ACTUATING UNITS

PART #	DESCRIPTION
40211172	Screw-on disc
40211318	Screw-on disc, chemical resistant
40211171	Snap-on disc
40211306	Snap-on disc, chemical resistant
40120257	Lift chain for all actuating units
40211436	Clip only



REPAIR PARTS FOR KOHLER K-9360

ITEM	PART #	DESCRIPTION
1-6		Flush valve repair kit
6	09893640	Nut
6,8,10		Disc kit
9	09893590	Seat washer
10	09893630	Metal washer
12-15		Seal kit
12	09893588	Gasket



TOTAL MAINTENANCE SOLUTIONS

HOUSTON
800/392-5066

ORLANDO
800/327-3022

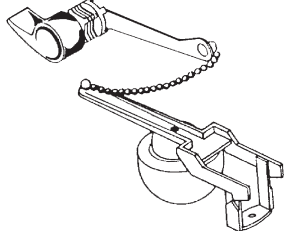
GREENVILLE
800/476-2212

LOOK FOR US ON THE WEB AT: www.TMSSouth.com

TOILET & TANK REPAIRS

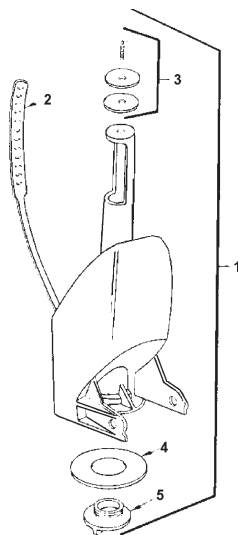
REPAIR PARTS FOR ELJER "TOUCH FLUSH"

PART #	DESCRIPTION
40130142	Eljer "Touch Flush" assembly
40210055	Tank ball for "Touch Flush"
06890500	Bracket
06890510	Arm with chain



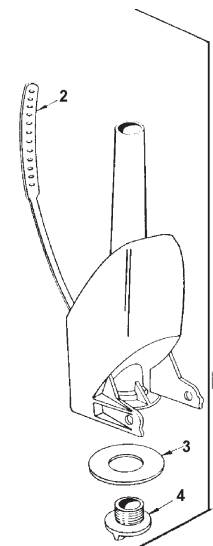
REPAIR PARTS FOR UNIVERSAL RUNDLE MODEL 259 TILT VALVE

ITEM	PART #	DESCRIPTION
1	40211539	Tilt valve assy. (259)
2	40211540	Lift strap
3		Cap counter weight (Not Sold Separately)
4	40211538	Seat washer
5		Screw plug (Not Sold Separately)



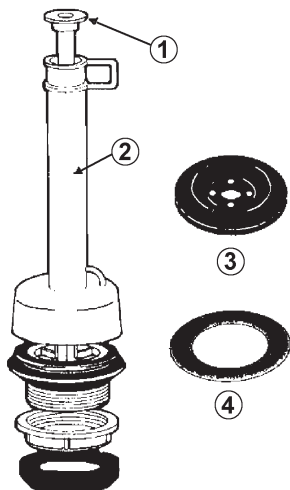
REPAIR PARTS FOR UNIVERSAL RUNDLE MODEL 278 TILT VALVE

ITEM	PART #	DESCRIPTION
1	40211541	Tilt valve assy. (278)
2	40211540	Lift strap
3	40211538	Seat washer
4		Screw Plug (Not Sold Separately)



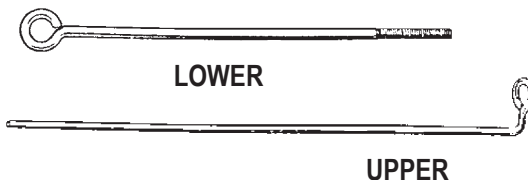
REPAIR PARTS FOR MANSFIELD WATERSAVER FLUSH VALVE

ITEM	PART #	DESCRIPTION
1	6961422	Stop cap w/ foam bumper
2	6961424	Float assembly - 11-1/2"
3	40211128	Seal for old 208/209 flush valves
4	40211139	Seal for old 210/211 flush valves



LIFT WIRES

PART #	DESCRIPTION
7100503	4-1/2" Lower lift wire
7100505	5" Lower lift wire
40211227	5-1/2" Lower lift wire
40211332	8" Upper lift wire

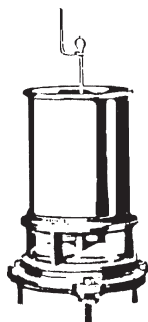


OVERFLOW TUBES

PART #	DESCRIPTION
7100520	1" x 10-1/2" Brass overflow tube
7100459	1" x 10-1/2" Plastic overflow tube
7100522	1-1/8" x 10-1/2" Brass overflow tube

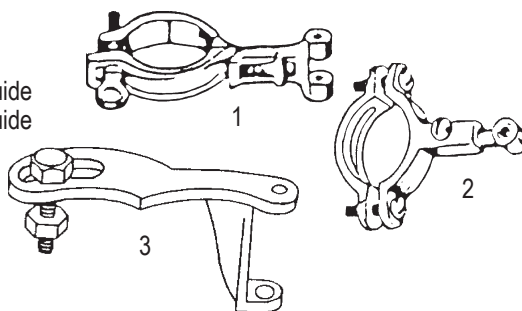


CURTAIN # 50
Seat washer
Part # 40211438



GUIDE ARMS

ITEM	PART #	DESCRIPTION
1	40211554	Adjustable brass guide
2	7100528	Adjustable brass guide
3	40211555	Eljer guide arm
	40211316	Flapper attachment with screw



TOTAL MAINTENANCE SOLUTIONS

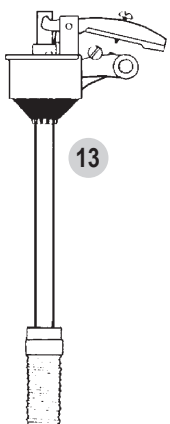
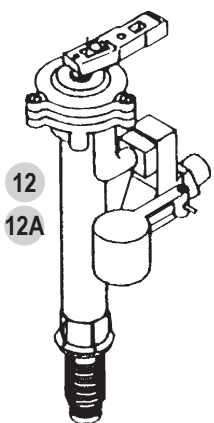
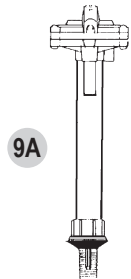
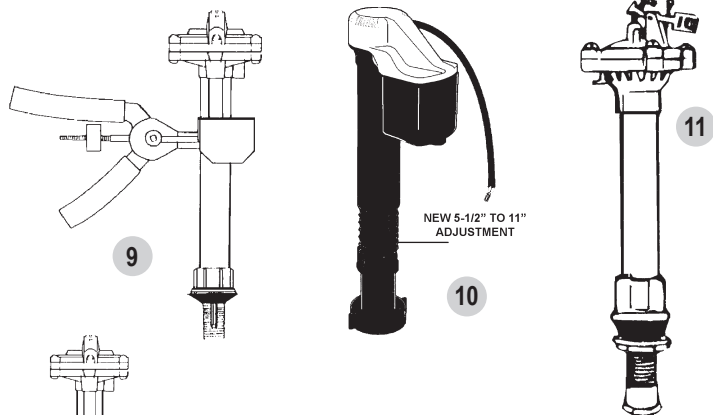
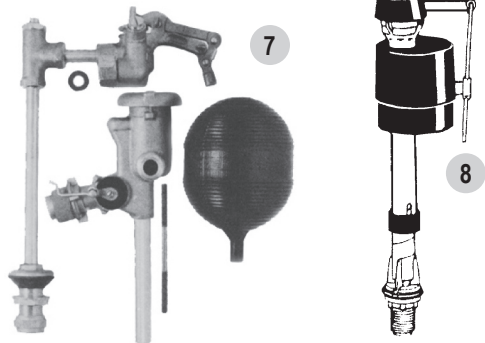
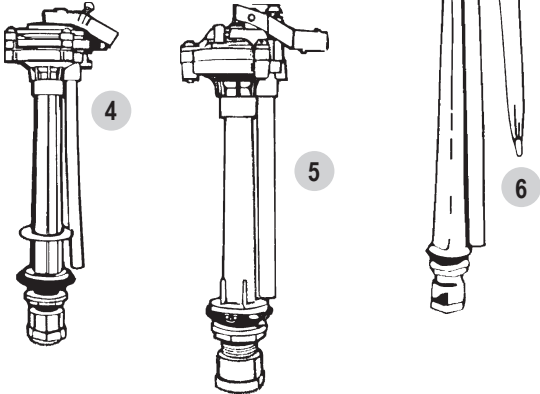
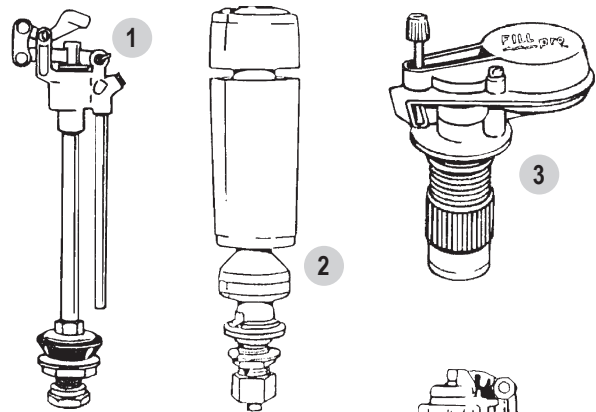
HOUSTON
800/392-5066

ORLANDO
800/327-3022

GREENVILLE
800/476-2212

LOOK FOR US ON THE WEB AT: www.TMSSouth.com

TOILET & TANK REPAIRS



COMPLETE BALLCOCKS

ITEM	PART #	DESCRIPTION
1	40211248	Burlington Brass #20R adjustable ballcock
2	6916400	Twentieth Century ballcock
3	40211247	Fillpro (Delta) ballcock
4	40211249	Coast 1B1 10" ballcock
5	40211290	Coast Master 8-1/2" ballcock
6	6918350	Coast Mark III 10" ballcock
7	40210018	Briggs Case 5150-50 ballcock
8	40211120	Fluidmaster 400A ballcock
9	40211251	Eljer ballcock 495-0260-00
9A	40211121	without attachment 1B1X ballcock
10	40211193	Korky ballcock (Hunter)
11	6939500	Hoverline 12" anti-siphon ballcock
12	40210014	Kohler K-9269 RIALTO ballcock
12A	40211250	Kohler K-9269 without flush valve
13	40211542	Universal Rundle 190 ballcock
14	6998080	Watts Governor ballcock with thermal expansion relief valve

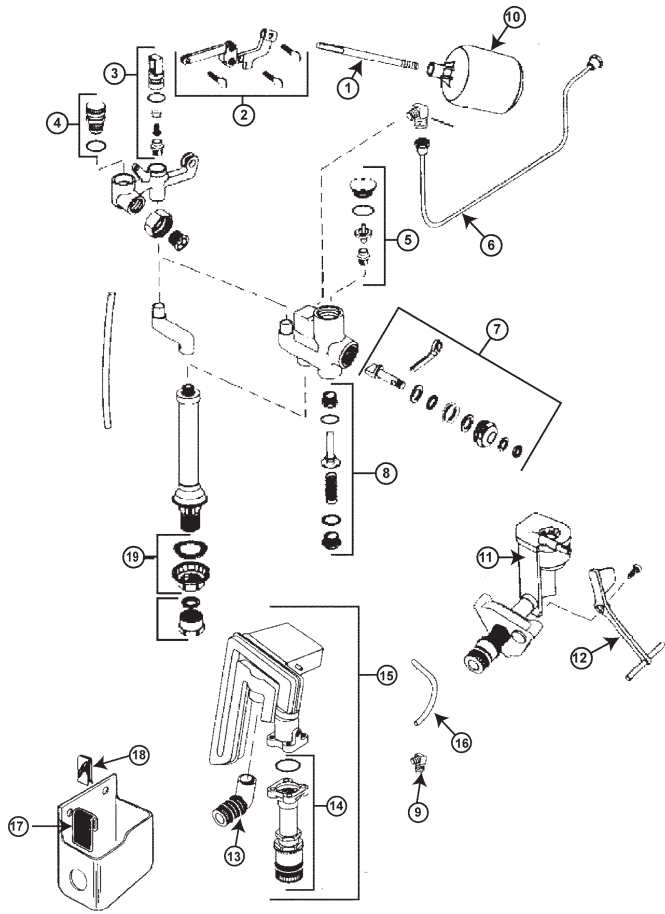
01892347 American Standard Smart Valve repair kit

TOILET & TANK REPAIRS

AMERICAN STANDARD 3148 SERIES (ROMA ONE-PIECE)

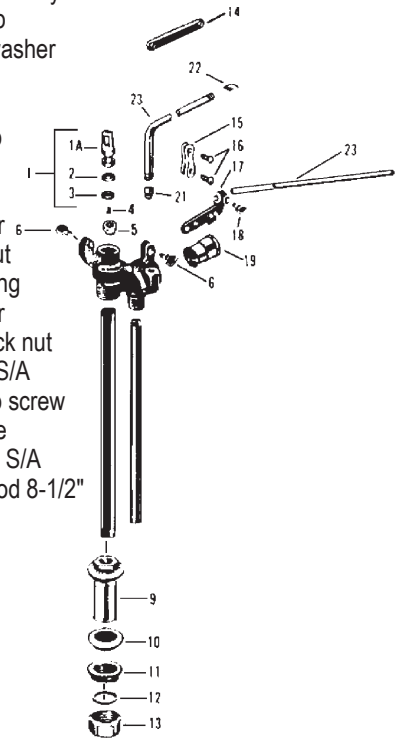
MOST PARTS ARE INTERCHANGEABLE WITH LUXOR ONE-PIECE

ITEM	PART #	DESCRIPTION
1	40211485	Float rod
2		Lever assembly
3	40120201	Plunger assembly
	40211477	Plunger washer
	01891252	Seat - monel
4	40211486	Volume regulator kit
5	NLA	Vacuum breaker kit
6	40211489	Supply tube Vent Away
7	40211487	Diverter stem kit
8	40211488	Diverter valve kit
9	40211490	Male elbow
10	40211244	Plastic float
11	40120235	Back flow w/paddle
	01892392	Rubber seal (include above)
12	01892380	Paddle lever
13	40211469	Mounting elbow
	01892378	Rubber seal for elbow
14	40211467	Discharge tub assy.
15	40211465	Ventalator assy.
16	40211462	Vacuum tube
17		Rubber pad
18		Spring clip
19	40211525	Water control mtng. kit



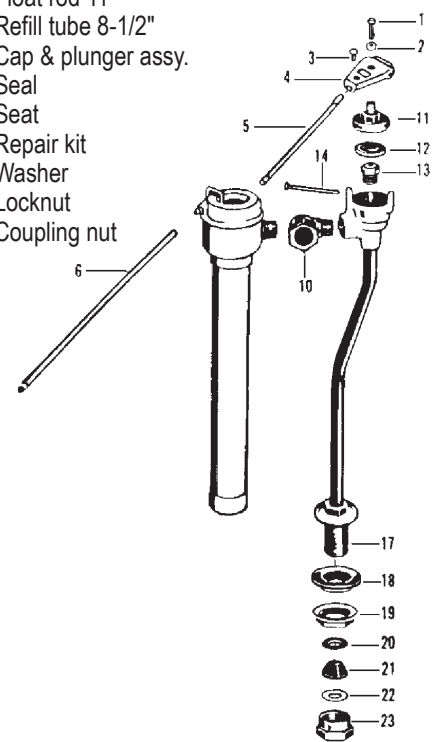
AMERICAN STANDARD 3106 SERIES

ITEM	PART #	DESCRIPTION
1	40120201	Plunger assy.
2	40211477	"U" cup
3	01890310	Seat washer
4	50100014	Screw
5	40211435	Seat
6	40211470	Thumb screw
10	40211515	Shank washer
11	40211520	Locknut
12	40120153	Coupling washer
13	40218868	Ballcock nut
14-17	40211484	Lever S/A
18	01890590	Thumb screw
19	40211483	Volume control S/A
23	40211472	Float rod 8-1/2"



AMERICAN STANDARD 3131 & 3137 SERIES

ITEM	PART #	DESCRIPTION
5	NLA	Float rod 11"
6	40211524	Refill tube 8-1/2"
11	40211522	Cap & plunger assy.
12	40211517	Seal
13	40211561	Seat
11-13	40120273	Repair kit
18	40211515	Washer
19	40211520	Locknut
23	40218868	Coupling nut



**TOTAL
MAINTENANCE
SOLUTIONS**

HOUSTON
800/392-5066

ORLANDO
800/327-3022

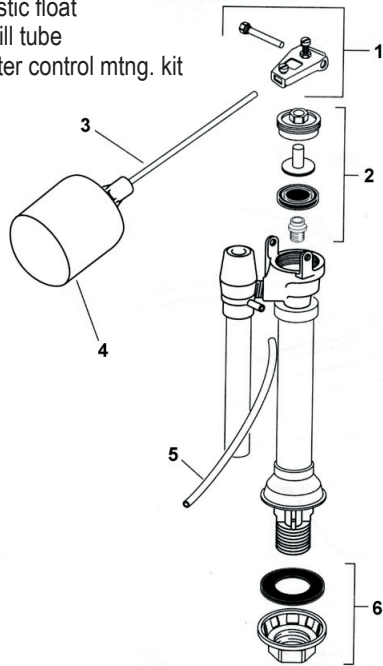
GREENVILLE
800/476-2212

LOOK FOR US ON THE WEB AT: www.TMSSouth.com

TOILET & TANK REPAIRS

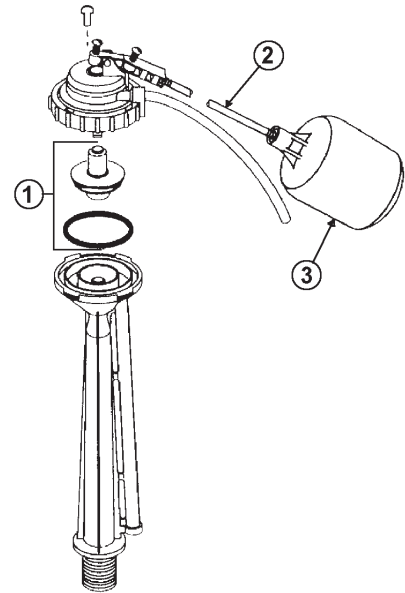
AMERICAN STANDARD ROMA II, ELLISSE, LEXINGTON

ITEM	PART #	DESCRIPTION
1	40211526	Pivot arm kit
2	40120273	Plunger repair kit
3	40211527	Float rod
4	40211244	Plastic float
5	40211553	Refill tube
6		Water control mtng. kit



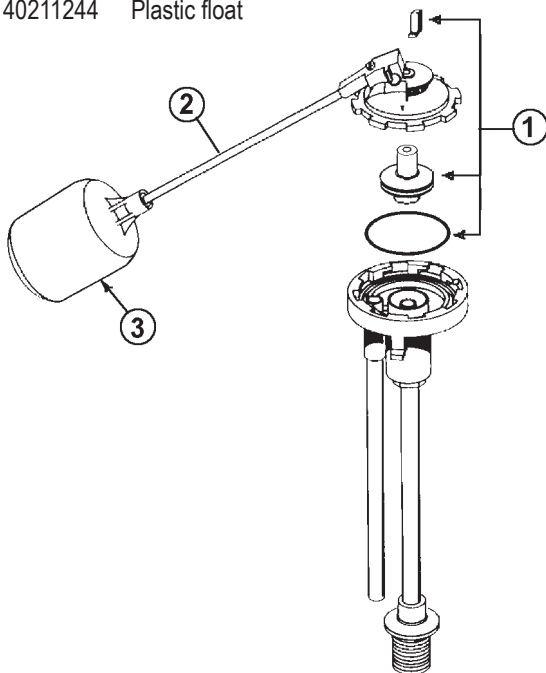
AMERICAN STANDARD CADET II, HAMILTON

ITEM	PART #	DESCRIPTION
1	40211230	Plunger repair kit
2	40211468	Brass float rod
3	40211244	Plastic float



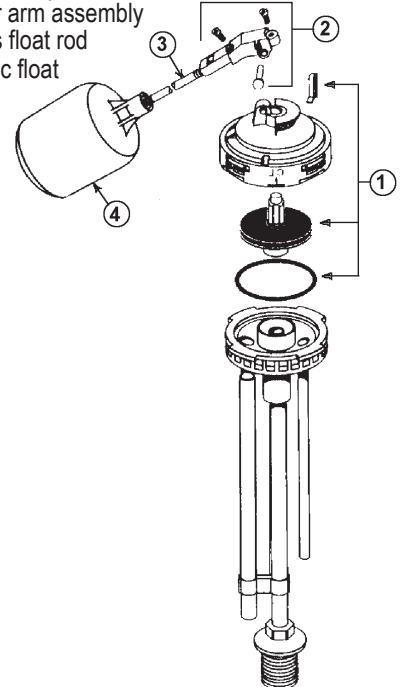
AMERICAN STANDARD CADET, GLENWALL, YORKVILLE AND NEW CADET

ITEM	PART #	DESCRIPTION
1	40211528	Plunger repair kit
2	40211468	Brass float rod
3	40211244	Plastic float



AMERICAN STANDARD CADET PRESTIGE, CADET II NEW CADET, YORKVILLE AND ELLISSE 2 PIECE

ITEM	PART #	DESCRIPTION
1	01891786	Plunger repair kit
2		Lever arm assembly
3	40211468	Brass float rod
4	40211244	Plastic float



**TOTAL
MAINTENANCE
SOLUTIONS**

HOUSTON
800/392-5066

ORLANDO
800/327-3022

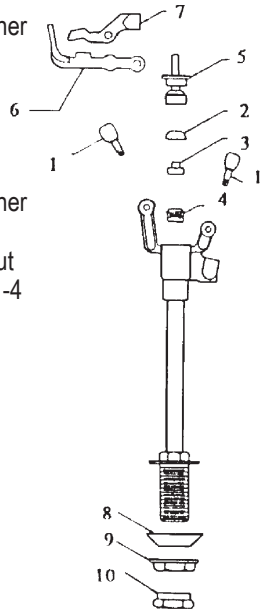
GREENVILLE
800/476-2212

LOOK FOR US ON THE WEB AT: www.TMSSouth.com

TOILET & TANK REPAIRS

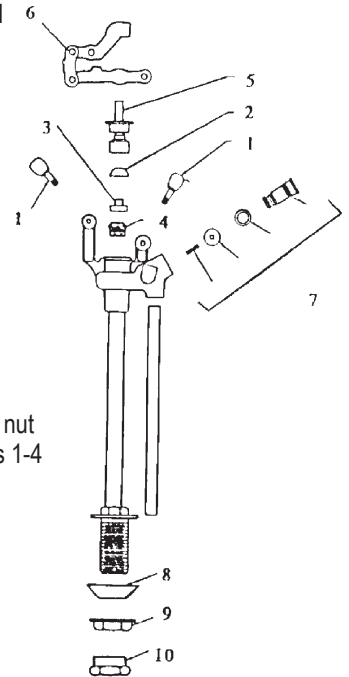
BURLINGTON BRASS # 15 BALLCOCK

ITEM	PART #	DESCRIPTION
1	40211521	Thumb screw
2	6911002	Plunger cup washer
3	6972028	Seat washer
4	6911021	Nylon seat
5	6911434	Plunger assy.
6, 7	6911510	Plunger lever Float rod lever
8	40211074	Cone shank washer
9	40211520	Brass nut
10	40218868	Brass coupling nut
*	6911003	Repair kit items 1-4



BURLINGTON BRASS # 20R BALLCOCK

ITEM	PART #	DESCRIPTION
1	40211521	Thumb screw
2	6911002	Plunger cup washer
3	40211518	Seat washer
4	6911021	Nylon seat
5	6911434	Plunger assy.
6	6911510	Plunger lever S/A
7	6911108	Regulator plug
8	40211074	Cone shank washer
9	40218868	Brass nut
10	7100504	Brass coupling nut
*	6911001	Repair kit items 1-4



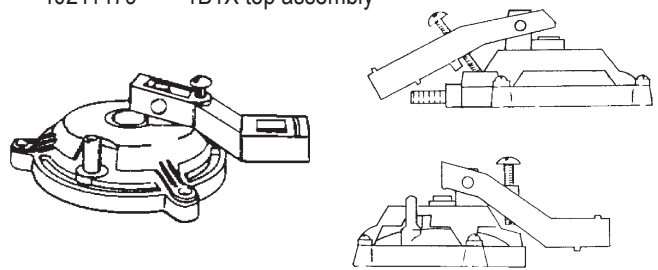
COAST FOUNDRY - BALLCOCK REPAIRS

PART #	DESCRIPTION
40210052	Repair kit for all brass IB
40210052	1B1 & Coastmaster Piston & Seal ring
40211511	Mark II Piston, Seal ring & key
40211230	Mark III Piston, Seal ring & key
40140098	1B1X Piston & Seal ring
6918701	Armibill all brass Piston & Seal ring



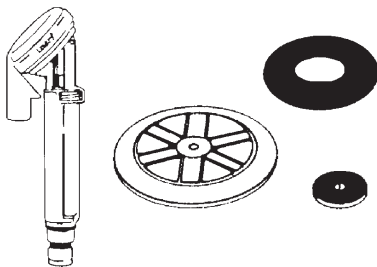
COAST FOUNDRY - TOP ASSEMBLY

PART #	DESCRIPTION
40211508	1B1 Top assembly
6918501	Coastmaster top assy. (flexible overflow)
6918502	Coastmaster top assy. (rigid overflow)
40211509	Mark III top assembly
40211479	1B1X top assembly



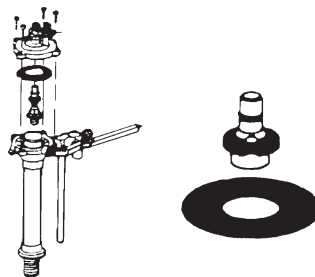
DELTA RPF95A ANTI-SIPHON BALLCOCK

PART #	DESCRIPTION
05222550	Repair parts kit



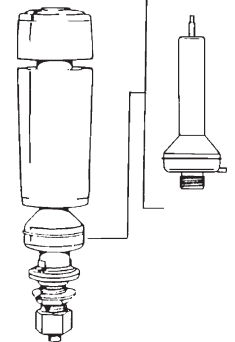
DELTA RP8076 BALLCOCK (DISCONTINUED)

PART #	DESCRIPTION
40211317	Repair kit



TWENTIETH CENTURY BALLCOCK

Replacement Pressure Chamber
PART # 6916401



**TOTAL
MAINTENANCE
SOLUTIONS**

HOUSTON
800/392-5066

ORLANDO
800/327-3022

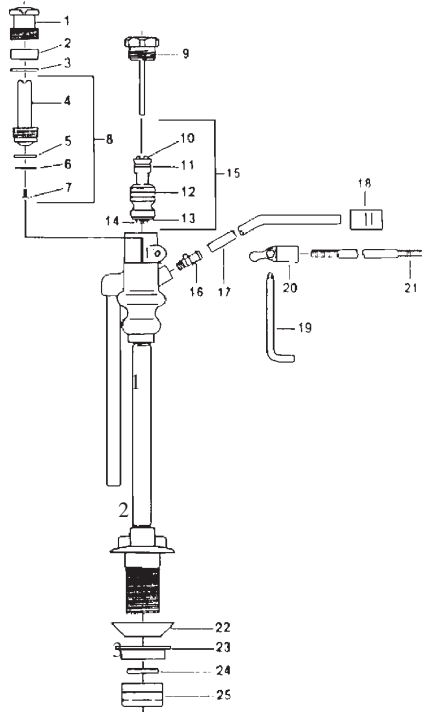
GREENVILLE
800/476-2212

LOOK FOR US ON THE WEB AT: www.TMSSouth.com

TOILET & TANK REPAIRS

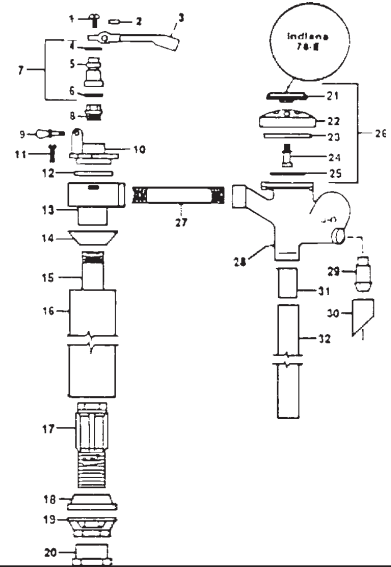
ELJER E-9860 (PRIOR TO 1971)

ITEM	PART #	DESCRIPTION
1	N/A	Packing nut
2	06890210	Packing
3		Washer
8		Regulator screw unit
9		Cap assy.
10		Cup screw
11		Cup washer
12		O-ring
13	06890140	Seat washer
14		Screw
15	06890240	Plunger unit
16	40211461	Adapter
17	40211553	Refill tube
18	6961418	Refill clip
19		Pivot screw
20		Lever
21	40211468	Float rod
22	40211074	Spud gasket
23	40211520	Lock nut
24		Union gasket
25	40218868	Coupling nut



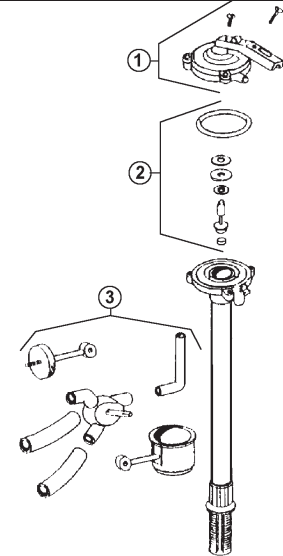
ELJER 495-0230 & 495-0229

ITEM	PART #	DESCRIPTION
1	40211475	Screw
2	40211476	Hex nut
3	08380126	Lever
4	08380131	Cup washer
5		Plunger
6	40211516	Plunger disc
7	40211481	Plunger assy.
8	40211562	Nylon seat
9	40211521	Thumb screw
10		Cap
11		Screw
12		O-ring
21		Cap shield
22		Vent body cap
23	08380150	Rubber seal
24	08380130	Cap pin
25	08380200	Rubber washer
26	08380205	Vent body cap



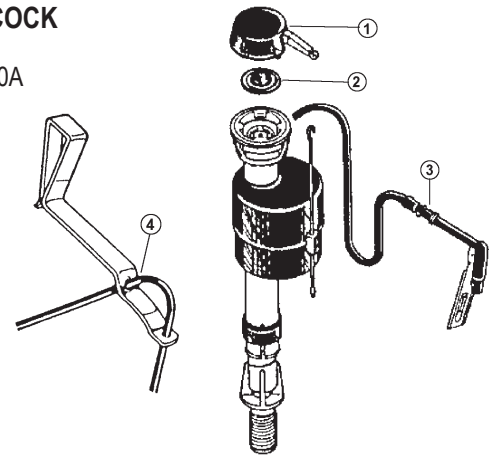
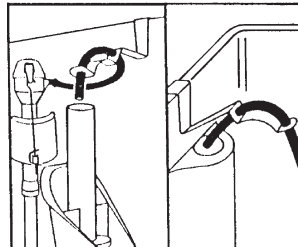
ELJER 495-0260-00, UNIVERSAL-RUNDLE 175

ITEM	PART #	DESCRIPTION
1	40211479	Top assembly
2	40140098	Piston and seal ring
3		Diverter assembly



FLUIDMASTER 200A & 400A BALLCOCK

ITEM	PART #	DESCRIPTION
1	6932405	Top assembly for 400A
2	40211221	Fluidmaster seal
3	6932402	Refill tube
4	6932403	Refill tube clamp



Special refill tube clamp for use with tilt flush valves (Universal-Rundle) or toilet tanks with built-in china overflows.



**TOTAL
MAINTENANCE
SOLUTIONS**

HOUSTON
800/392-5066

ORLANDO
800/327-3022

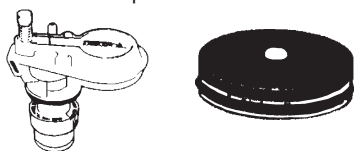
GREENVILLE
800/476-2212

LOOK FOR US ON THE WEB AT: www.TMSSouth.com

TOILET & TANK REPAIRS

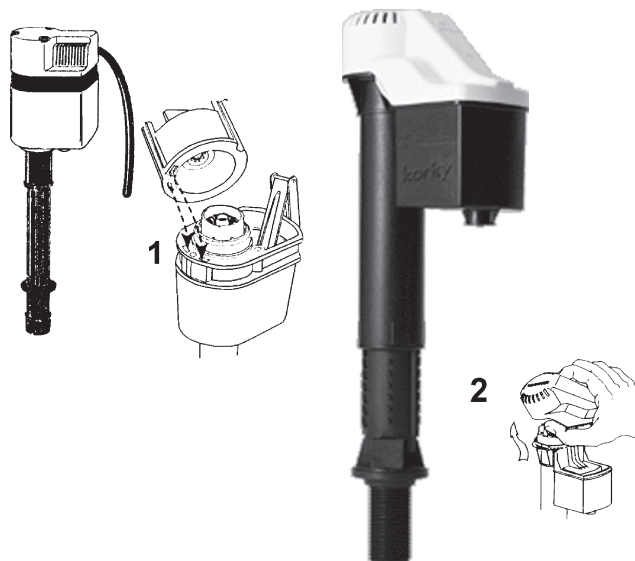
FILLPRO - DELTA RPF75A BALLCOCK

PART #	DESCRIPTION
6933001	Replacement Disc



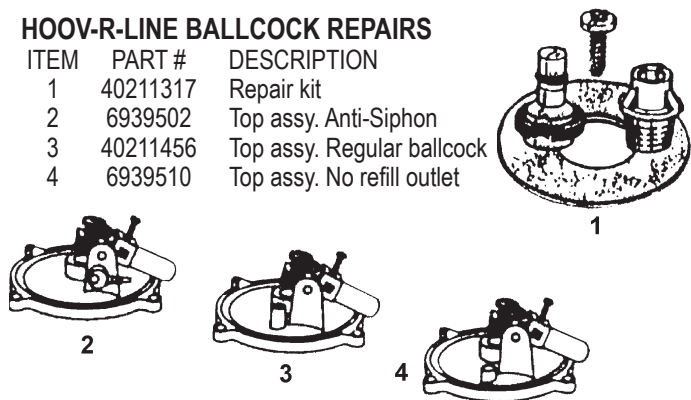
ANTI-SIPHON BALLCOCK

ITEM	PART #	DESCRIPTION
1	40211460	Replacement cap for Mdle 612 (Hunter)
2	40211325	Replacement cap for Mdle 528 (Korky)



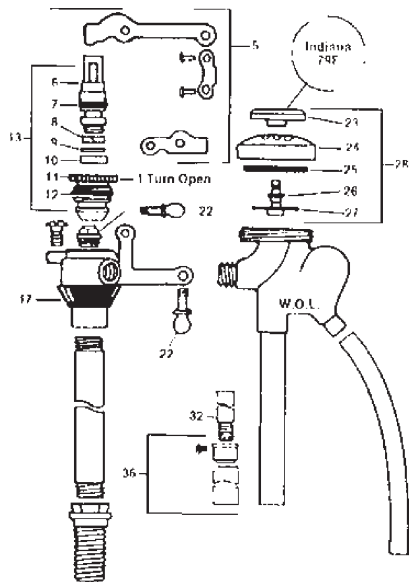
HOOV-R-LINE BALLCOCK REPAIRS

ITEM	PART #	DESCRIPTION
1	40211317	Repair kit
2	6939502	Top assy. Anti-Siphon
3	40211456	Top assy. Regular ballcock
4	6939510	Top assy. No refill outlet



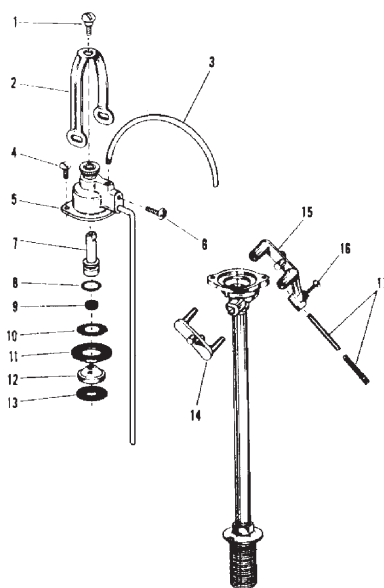
INDIANA BRASS 79E

ITEM	PART #	DESCRIPTION
5	08380160	Fulcrum lever assy.
9	40211516	Plunger disc
13	08380120	Plunger assy. w/ silencer plug
14	40211562	Nylon seat
25	08380150	Rubber washer
27	08380200	Rubber washer
28	08380205	Vent body cap assy.



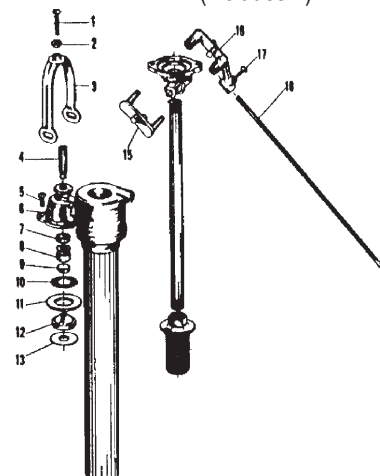
KOHLER K-9255 M

ITEM	PART #	DESCRIPTION
1		Screw
3	7100519	Refill tube
6	40140107	Screw
7	09893500	Plunger w/o-ring & washer
7-14	40211474	Plunger assy. kit
8	41001002	O-ring
9	09893470	Seat washer
10		Screen
11		Washer
12	09893480	Seat
13		Washer



KOHLER K-9252

ITEM	PART #	DESCRIPTION
1	09893490	Screw
2		Nut
3		Lifter
4		Stem
5		Screw (2)
7	41001002	O-ring
8		Seat washer retainer
9	09893470	Seat washer
10		Screen
11		Washer
12	09893480	China seat
13		Washer
7-13	40211491	Repair kit (includes 4)



**TOTAL
MAINTENANCE
SOLUTIONS**

HOUSTON
800/392-5066

ORLANDO
800/327-3022

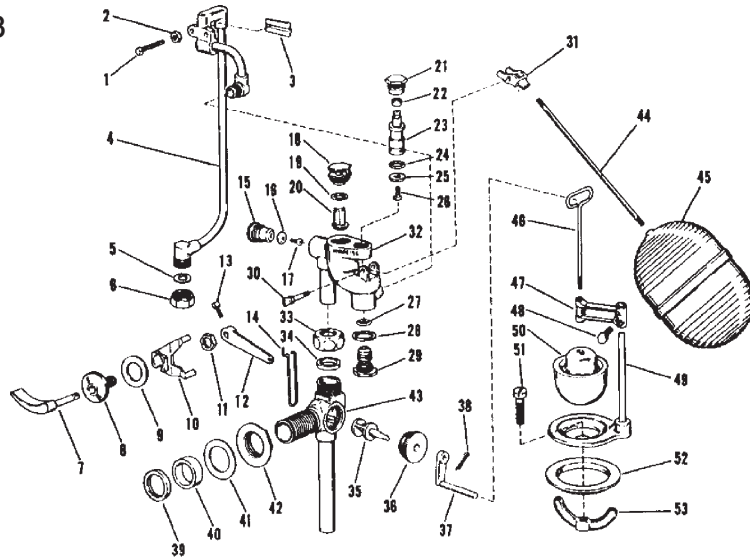
GREENVILLE
800/476-2212

LOOK FOR US ON THE WEB AT: www.TMSSouth.com

TOILET & TANK REPAIRS

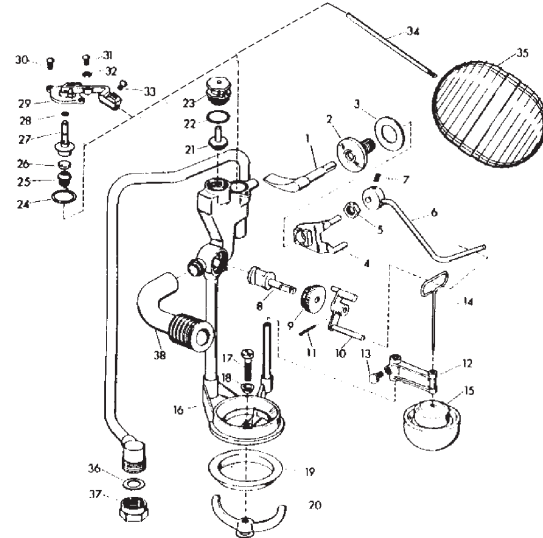
KOHLER K-9240 (CHAMPLAIN) PRIOR TO 1973

ITEM	PART #	DESCRIPTION
7-8	40211500	Trip lever assy.
9		Washer
10	40211444	Trip arm support
11	40211543	Nut
12	09893700	Trip lever
13	40211546	Screw
14	09891290	Lift wire
15-17	09892280	Flow regulator sub. assy.
18	09893778	Check guide
19-20	40211478	Check plunger
21	09892210	Cap
22	09893710	Packing
22-26	40211492	Plunger
25	09893730	Seat washer
27-29	40211493	Seat sub-assy.
46	09893690	Lift wire
47-48	09893720	Guide arm S/A
50	40211480	Tank ball
52	40211052	Washer



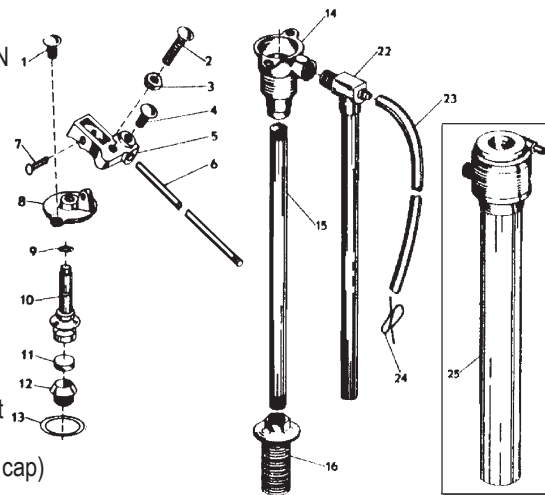
KOHLER K-9241 CHAMPLAIN TOILET

ITEM	PART #	DESCRIPTION
1-2	40211500	Trip lever assembly
3	40211444	Trip arm support
5	09893880	Trip arm
6	40211546	Set screw
12-13	09893720	Guide arm & screw
14	40121059	Lift wire
15	40211326	Tank ball
19	09893918	Washer
21	40140188	Check plunger
22	09890290	Gasket
24	09893740	Gasket
25	40211433	Seat
26	40211503	Seat washer
27-28	40211502	Plunger assy.
38	40211499	Flush tube
	40211498	Rotor replacement kit (items 3, 5-10 & 14)



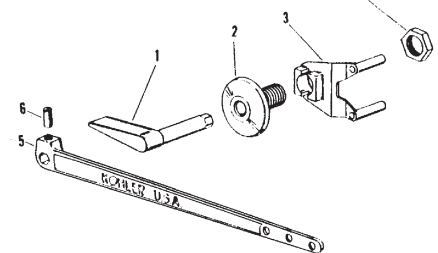
KOHLER K-9262

ITEM	PART #	DESCRIPTION
1	40211497	Float rod
2		Screw
3	09893490	Adjusting screw
2-8	40211495	Cap S/A 2 screws brass cap
2-8	40211496	Cap S/A 3 screws plastic cap
9-11	40211494	Plunger S/A
9-13	40140163	Plunger S/A kit
12	40211433	Seat
13	09893740	Gasket (brass cap)



KOHLER K-9400 HANDLE

ITEM	PART #	DESCRIPTION
1	40211442	Trip lever
2	09893660	Flange
3	40211444	Trip arm support
4	40211543	Lock nut
5	40211544	Brass trip arm
	40211545	Plastic trip arm
6	40211546	Set screw



**TOTAL
MAINTENANCE
SOLUTIONS**

HOUSTON
800/392-5066

ORLANDO
800/327-3022

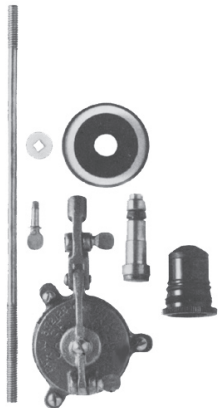
GREENVILLE
800/476-2212

LOOK FOR US ON THE WEB AT: www.TMSSouth.com

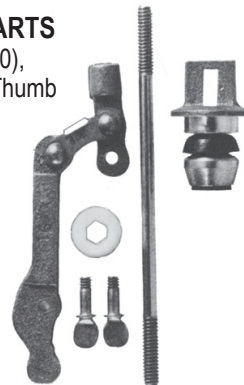
BRIGGS TOILET REPAIRS

SP-1 CONVERSION KIT TO 62-8 BALLCOCK

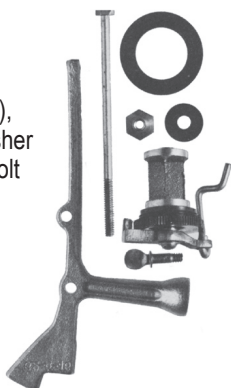
Kit contains: Vent disc (62-11), Vent cap washer (62-13), Vent cap screws (62-15), Thumb screws (62-16), Vent cap (8-14A), Plunger (8-42A), Plunger fulcrum (8-47), Float rod fulcrum (8-48), Water level adj. screw & locknut (8-49) Volume control (62-44).
PART # 40211344

**SP-21 NO. 50 BALLCOCK BODY PARTS**

Kit contains: Plunger (46-50), Seat (48-50), Cross lever assembly, float rod (27-50), Thumb screws (26-50).
TMS PART # 6920613

**SP-10 DIVERTER VALVE PARTS**

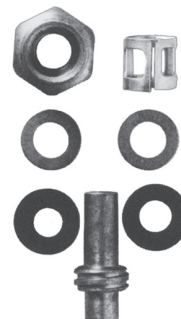
Kit contains: Diverter valve (62-28), Diverter valve fulcrum arm (8-46), Conn. wire (62-30), Arm (8-31A), Screw (62-32), Cap (62-33), Thumb screw (62-16), Washer (62-34), Bolt (62-35), Washer (62-36), Bolt (62-37).
PART # 40211450

**SP-3 FLAPPER W/ CHAIN FOR NO. 62 FLUSH VALVE**

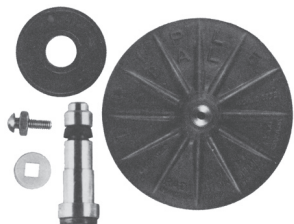
TMS PART # 40211455

**SP-22 NO. 50 BALLCOCK STOP ASSEMBLY REPAIR PARTS**

Kit contains: Stop spindle (40-50), Packing nut (41-50), Packing washers (42-50), Upper skirt (43-50), Lower skirt (43A-50), Skirt spacer (44-50).
TMS
PART # 6920614

**SP-19 62-8 BALLCOCK PLUNGER ASSEMBLY**

Kit contains: Plunger (8-42A), Seat (62-39), Vent disc (62-11), Adj. screw & locknut (8-49), Triple seal ball (60-5).
PART # 40211452

**SP-11 PUMP ASSEMBLY**

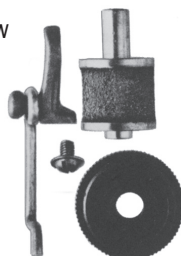
Kit contains: Jet pump body (62-26), Jet pump elbow (62-25), Tube clamps (62-24), Conn. tube (62-23).
PART # 40211453

**SP-23 NO. 50 BALLCOCK REGULATOR REPAIRS**

Kit contains: Reg. body (4-50), Union nut (39-50), Union tailpiece (38-50), Gasket (37-50), Adj. regulator assembly.
PART # 40211560

**SP-25 NO. 50 BALLCOCK RIM VALVE REPAIR PARTS**

Kit contains: Rim valve (10-50), Valve cap (5-50), Conn. wire & rim valve lever (7, 8-50), Rim valve screw (9-50).
PART # 6920616

**SP-12 PUMP ASSEMBLY**

Kit contains: Jet pump body (62-26), Jet pump elbow (8-25A), Clamps (62-24), Conn. tube (8-23A).
PART # 40211451



**TOTAL
MAINTENANCE
SOLUTIONS**

HOUSTON
800/392-5066

ORLANDO
800/327-3022

GREENVILLE
800/476-2212

LOOK FOR US ON THE WEB AT: www.TMSSouth.com

TOILET & TANK REPAIRS

BRIGGS TOILET REPAIRS

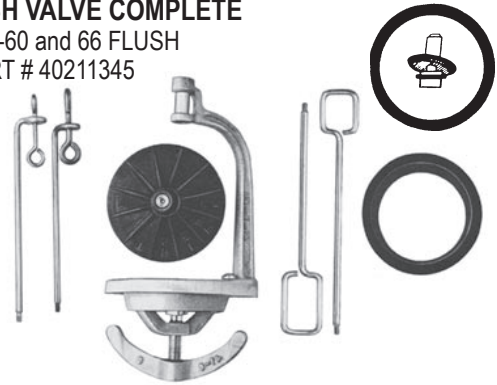
**SP-26 NO. 50 BALLCOCK
MISC. REPAIRS**

Kit contains: Hush tube (24-50), Vent ball seat washer (20-50), Vent ball (29-50), Vent cap washer (28-50), Screws (34-50), Seat (48-50), Seat washer (47-50), Cup washer (32-50).
PART # 6920626



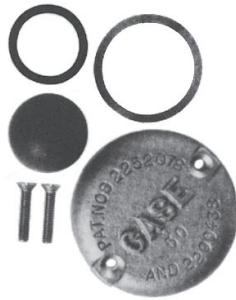
SP-29 FLUSH VALVE COMPLETE

FOR 41-6, 50-60 and 66 FLUSH VALVES. PART # 40211345



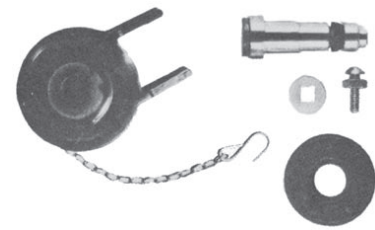
**SP-24 NO. 50 BALLCOCK
VENT ASSEMBLY REPAIRS**

Kit contains: Vent cap (17-50), Washer (28-50), Screws (34-50), Vent ball seat washer (20-50), Vent ball (29-50).
PART # 6920615



**SP-18 PLUNGER
ASSEMBLY FOR
62-8-75 BALLCOCK**

Kit contains: Plunger assy. (8-42A), Seat (62-39), Vent disc (62-11), Water level adj. screw & locknut (8-49), Flush valve flapper (#75).
PART # 6920623



46-50 PLUNGER

PART # 40211432

32-50 CUP WASHER

PART # 40211519

47-50 SEAT WASHER

PART # 40211518



8-42A PLUNGER

PART # 40211454

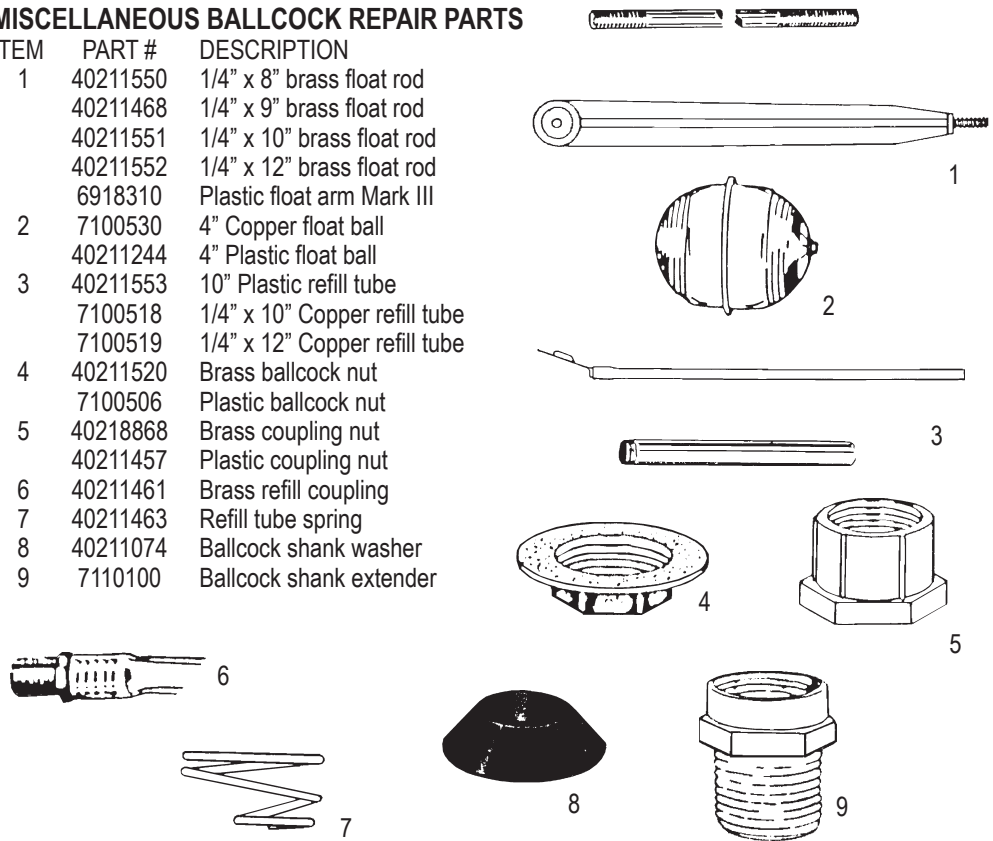
47-50 SEAT WASHER

PART # 40211518



MISCELLANEOUS BALLCOCK REPAIR PARTS

ITEM	PART #	DESCRIPTION
1	40211550	1/4" x 8" brass float rod
	40211468	1/4" x 9" brass float rod
	40211551	1/4" x 10" brass float rod
	40211552	1/4" x 12" brass float rod
	6918310	Plastic float arm Mark III
2	7100530	4" Copper float ball
	40211244	4" Plastic float ball
3	40211553	10" Plastic refill tube
	7100518	1/4" x 10" Copper refill tube
	7100519	1/4" x 12" Copper refill tube
4	40211520	Brass ballcock nut
	7100506	Plastic ballcock nut
5	40218868	Brass coupling nut
	40211457	Plastic coupling nut
6	40211461	Brass refill coupling
7	40211463	Refill tube spring
8	40211074	Ballcock shank washer
9	7110100	Ballcock shank extender



**TOTAL
MAINTENANCE
SOLUTIONS**

HOUSTON
800/392-5066

ORLANDO
800/327-3022

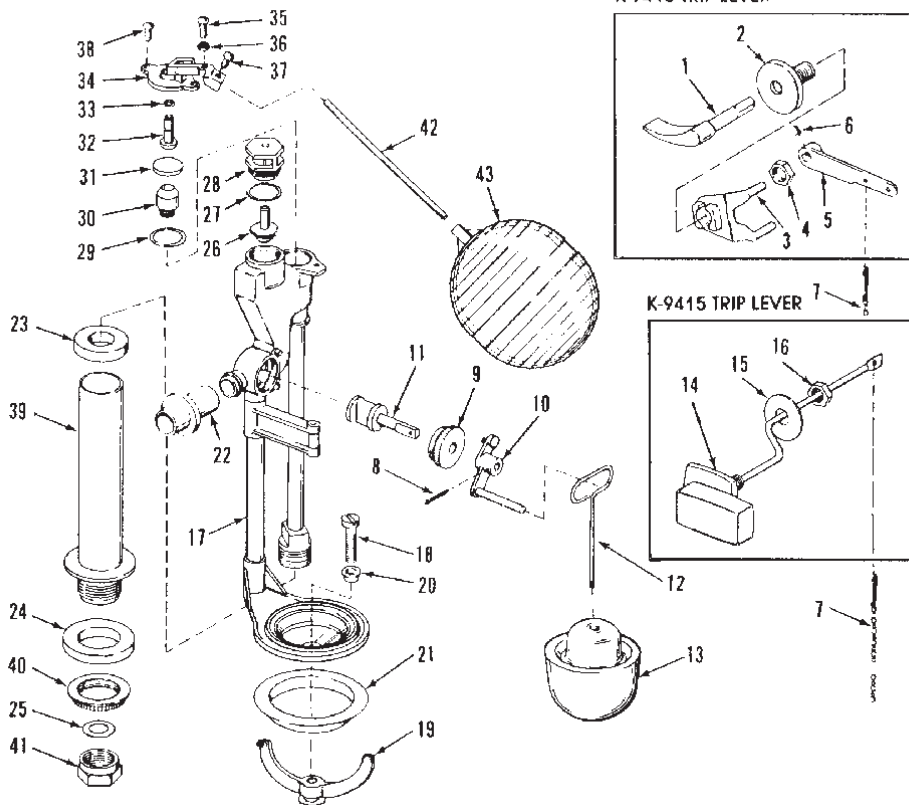
GREENVILLE
800/476-2212

LOOK FOR US ON THE WEB AT: www.TMSSouth.com

TOILET & TANK REPAIRS

KOHLER K-9242 POMPTON TOILET K-9235 ROCHELLE TOILET

ITEM	PART #	DESCRIPTION
1-2	09893660	Trip lever assembly
3	40211444	Trip arm support
5	09893880	Trip lever arm
6	40211546	Set screw
7-11	40211431	Rotor replacement kit
12	40140172	Lift wire
13	40211326	Tank ball
21	09893918	Washer
22	09893800	Sleeve
23	09895153	Washer
24	09893809	Washer
22-25	40211501	Valve service kit
26	40140188	Check plunger
27	09893510	Gasket
29	09893740	Gasket
30	40211504	Nylon seat
31	40211503	Seat washer
32-33	40211502	Plunger assy.
34-38	40211430	Cap assy.

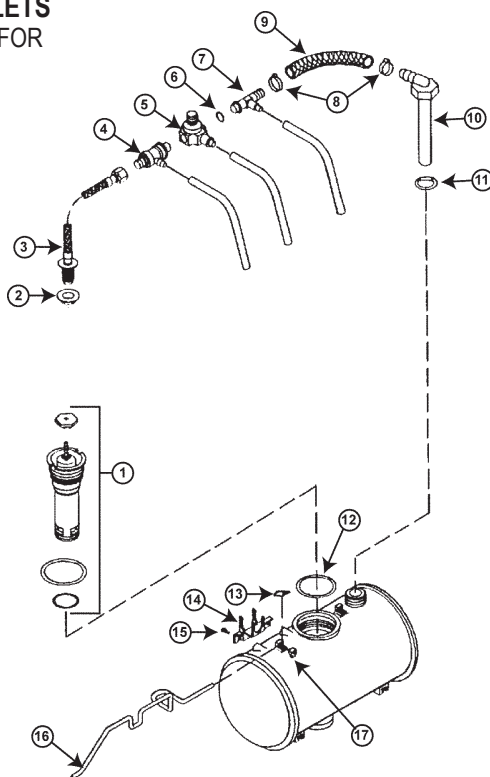


KOHLER PRESSURE CLEAN TOILETS

PARTS ARE NO LONGER AVAILABLE FOR THESE MODELS.

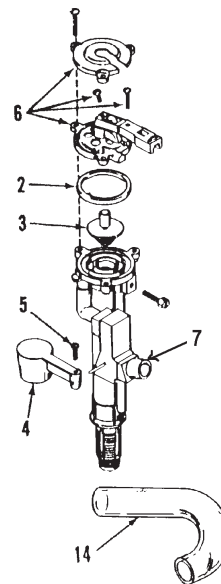
IF YOU HAVE A ONE-PIECE TOILET, ENTIRE UNIT MUST BE REPLACED.

IF YOU HAVE A TWO-PIECE TOILET, TANK MAY BE REPLACED WITH A SLOAN FLUSHMATE.



KOHLER K-9269 BALLCOCK

ITEM	PART #	DESCRIPTION
2-3	40140098	Valve service kit
4-5		Float assembly
6	09893365	Cap assembly
7	09892377	Body
14	09894245	Rim hose



**TOTAL
MAINTENANCE
SOLUTIONS**

HOUSTON
800/392-5066

ORLANDO
800/327-3022

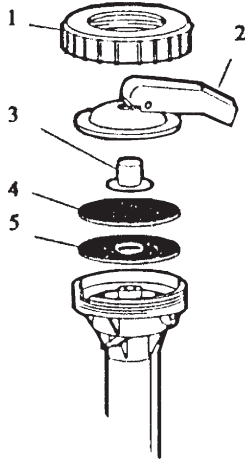
GREENVILLE
800/476-2212

LOOK FOR US ON THE WEB AT: www.TMSSouth.com

TOILET & TANK REPAIRS

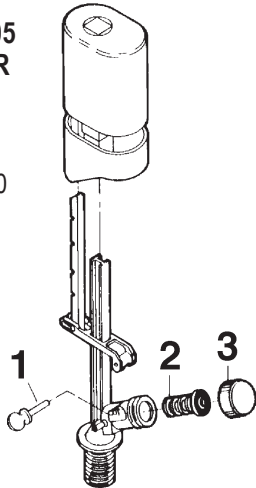
MANSFIELD 08 BALLCOCK

ITEM	PART #	DESCRIPTION
1	6961414	Cap nut
2	6961416	Cap & lever
3	6961405	Plunger
4-5	6961402	Upper & lower diaphragm



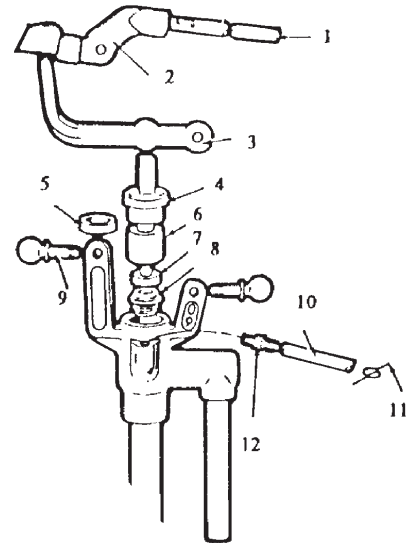
MANSFIELD 05 WATER MISER

Repair kit contains: items 1 thru 3.
PART # 6961400



MANSFIELD 09 BALLCOCK

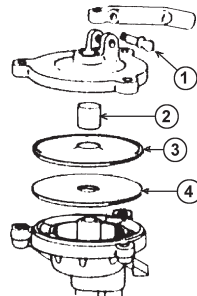
ITEM	PART #	DESCRIPTION
1	40211550	Float rod
2		Upper lever
3	6961404	Lower lever
4	40211559	Plunger assy. (4,5,7)
5	6961407	Huva-cup
6		Plunger
7	6972028	Valve washer
8		Seat
9	40211521	Thumbscrew
10	40211553	Refill tube
11	6961418	Refill tube clip
12	40211461	Tube connector
*	6961401	Repair kit for 03-09 Ballcock, items 5,7-9



MANSFIELD 12 BALLCOCK REPAIR KIT

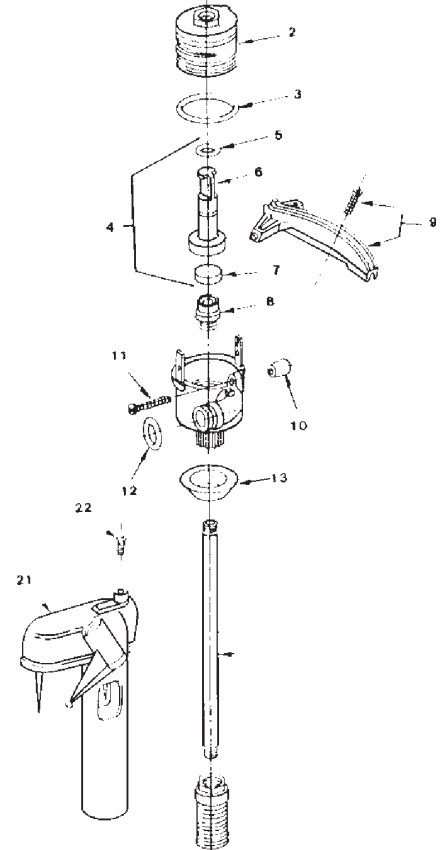
ITEM	DESCRIPTION
1	Thumb screw (1)
2	Nylon plunger (1)
3	Upper diaphragm (1)
4	Lower diaphragm (1)

PART # 6961400



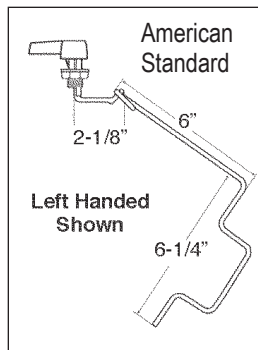
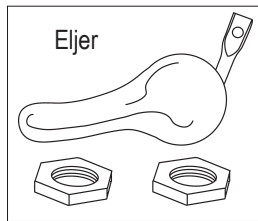
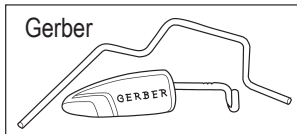
UNIVERSAL -RUNDLE

ITEM	PART #	DESCRIPTION
2		Adjusting plug
3	41001077	O-ring
4-7	20740194	Plunger assy.
7	6972023	Rubber disc
21	20740188	Diverter assembly



PRESSURE ASSISTED TANK LEVERS

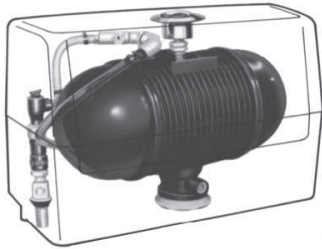
PART #	DESCRIPTION
40120208	American Standard
7129100	Gerber
40211342	Eljer



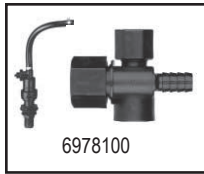
TOILET & TANK REPAIRS

SLOAN FLUSHMATE 200 SERIES

PART #	DESCRIPTION
40211531	Flush cartridge
6978102	Supply lower – NLA use 40211159
6978114	Supply upper – NLA use 40211159
40211159	Supply group
NLA	Flush button



40211531



6978100



40211163

FLUSHMATE®

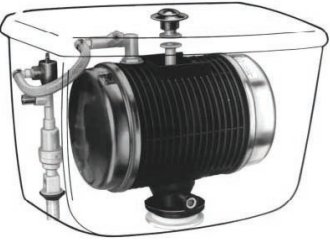
A Division of Sloan Valve Company

SLOAN FLUSHMATE 501 SERIES

PART #	DESCRIPTION
40211167	Flush cartridge
40211160	Supply lower – NLA use 40211159
40211335	Supply upper
40211159	Supply group
6978120	Push button assy.



6978110



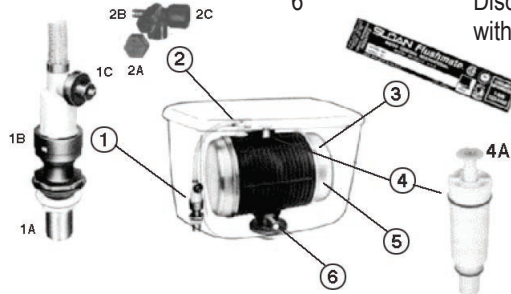
6978118



6978100

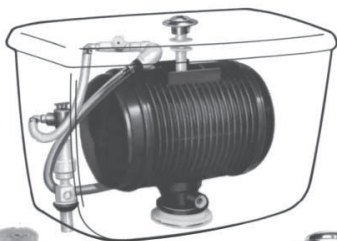
SLOAN FLUSHMATE 501A

ITEM	PART #	DESCRIPTION	ITEM	PART #	DESCRIPTION
1	6978122	Lower supply group	2A		Muffler cap
1A		Supply shank	2B		Air inducer
1B		Pressure reg. w/back ck.	2C		Vacuum breaker
1C		Relief valve	3		Name plate w/serial #
2	40211335	Upper supply group	4	40211167	Flush valve cartridge assy.
			5		Vessel
			6		Discharge extension with drain



SLOAN FLUSHMATE 500 SERIES

PART #	DESCRIPTION
40211167	Flush cartridge
6978104	Supply lower – NLA use 40211159
40211328	Supply upper– NLA use 40211159
40211159	Supply group
6978120	Push button assy



6978120



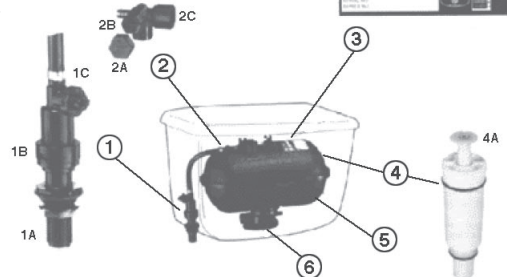
6978110



6978100

SLOAN FLUSHMATE 501B

ITEM	PART #	DESCRIPTION	ITEM	PART #	DESCRIPTION
1	6978122	Lower supply group	4A		Actuator w/set screw
1A		Supply shank	5		Vessel
1B		Pressure reg. w/back ck.	6		Discharge extension with drain
1C		Relief valve			
2	40211335	Upper supply group			
2A		Muffler cap			
2B		Air inducer			
2C		Vacuum breaker			
3		Name plate w/ serial #			
4	40211167	Flush valve cartridge assy.			



**TOTAL
MAINTENANCE
SOLUTIONS**

HOUSTON
800/392-5066

ORLANDO
800/327-3022

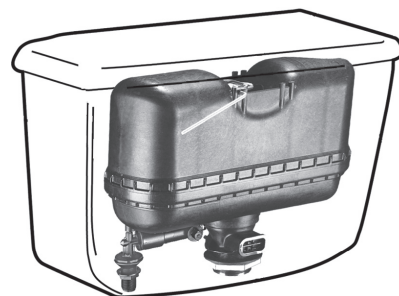
GREENVILLE
800/476-2212

LOOK FOR US ON THE WEB AT: www.TMSSouth.com

TOILET & TANK REPAIRS

SLOAN FLUSHMATE SERIES 503 AND 504

- | | |
|----------|---|
| PART # | DESCRIPTION |
| | Complete Flushmate System (indicate toilet manufacturer when ordering)
For close coupled toilet – 503 Series |
| | Complete Flushmate System (indicate toilet manufacturer when ordering)
For close coupled toilet – 504 Series |
| | Complete replacement unit for Eljer Tank 141-7000, 141-7001 |
| | Complete Flushmate System (indicate toilet manufacturer when ordering)
For 1 piece toilet – 503 Series |
| | Complete Flushmate System (indicate toilet manufacturer when ordering)
For 1 piece toilet – 504 Series |
| 40211159 | Flush cartridge |
| 40211335 | Upper supply |
| 40211530 | Lower supply used on 503 and 504 Series |
| 40211533 | Flushmate Wrench – Fits all Series |



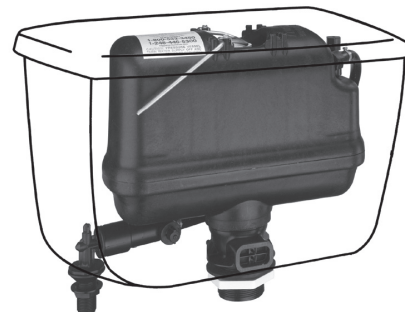
6978110



Flushmate Wrench



Lower Supply



6978118

FLUSHMATE®
A Division of Sloan Valve Company

FLUSHMATE® PRESSURE-ASSIST CHANGE-OUT KITS

- Each kit contains
- FLUSHMATE System
 - Mounting hardware
 - Installation Wrench
 - Flush handle
 - Owner's manual

OEM TANKS WITH OBSOLETE PRESSURE-ASSIST SYSTEM*



FLUSHMATE® CHANGE-OUT KITS FOR OBSOLETE SYSTEMS

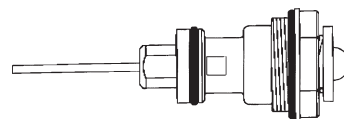


* W/C Technology PF/2 Energizer

PART #	DESCRIPTION
40211426	For Crane 3612
40211427	For Eljer 141-7000
40211428	For Gerber One-Piece 21-012
40211429	For Gerber Two-Piece
40211584	For Peerless 1

W/C TECHNOLOGY PF/2 ENERGIZER

ITEM	PART #	DESCRIPTION
1	NLA	Flush/relief valve
2	NLA	Cap & supply group assembly
3	40211114	Actuator valve (includes 1, 2 & 3)
4	NLA	PF/2 Energizer assembly
5	NLA	Cap gasket w/screw kit



HOUSTON
800/392-5066


ORLANDO
800/327-3022

GREENVILLE
800/476-2212

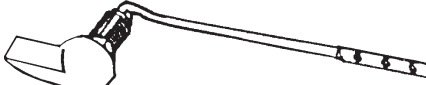
LOOK FOR US ON THE WEB AT: www.TMSSouth.com

TOILET & TANK REPAIRS


TOILET HANDLE REPAIR PARTS



Chrome w/ plastic arm & parts
PART # 40218869



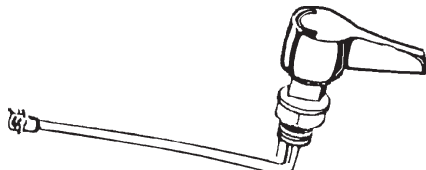
Chrome w/ brass arm & zinc parts
PART # 40211308



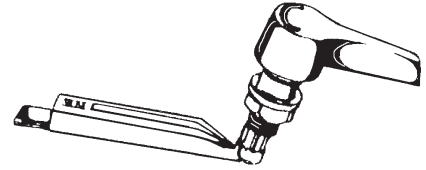
Chrome w/ brass arm & zinc parts
PART # 40211220



Chrome – 10" brass offset arm
PART # 40211536




Chrome – American Standard 4-1/4" arm
PART # 40120269




Chrome – American Standard 4-1/4" plastic arm
PART # 40211242




Chrome – American Standard Concord
PART # 01893366



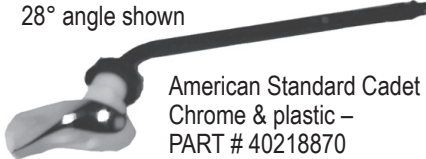
PART # 01965000 White plastic – American Standard 4-1/4"
01964000 White plastic – American Standard 6"




8° angle
Chrome & plastic – American Standard Cadet.
PART # 40120236
White handle
PART # 40211535



White plastic – American Standard Plebe
PART # 40120215



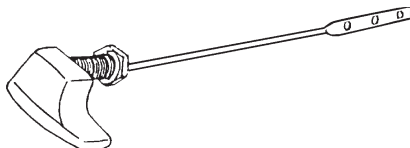
28° angle shown
American Standard Cadet II
Chrome & plastic – PART # 40218870
White – PART # 40120215
45° ANGLE
White – PART # 01892741
Polished brass – PART # 71005010
Chrome – PART # 40211343




Chrome - American Standard Luxor, Roma with ventaway
PART # 40211471



Chrome - American Standard Luxor, Roma without ventaway
PART # 40211473




ELJER SIDE FLUSH
Chrome – PART # 40211337
Polished brass – PART # 40211466




KOHLER K-9404
Chrome & metal – PART # 40211255
Polished brass – PART # 71005020
FOR PARTS SEE PAGE 12-20




Chrome & plastic – Kohler Wellworth
PART # 40211254



Chrome & plastic – Briggs
PART # 40211556



40211558 Chrome – Mansfield – use with flapper or tank ball – white arm.
40211050 Chrome – Mansfield – use with Mansfield flush valve - blue arm



TOTO Chrome plated – PART # 40211296
TOTO White handle – PART # 71250681

TOILET & TANK REPAIRS

TOILET HANDLE REPAIR PARTS FOR PRESSURE ASSIST TOILETS

AMERICAN STANDARD CADET (2292, 2168 & 2172) AND YORKVILLE (2320, 2325 & 2318)

LEFT HAND HANDLE ONLY
PART # 40211360



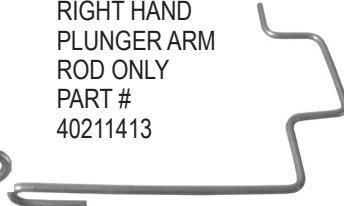
RIGHT HAND HANDLE ONLY
PART # 40211411



LEFT HAND
PLUNGER ARM
ROD ONLY
PART # 40211361



RIGHT HAND
PLUNGER ARM
ROD ONLY
PART #
40211413



SPRING ROD HOLD DOWN
(included with complete assemblies only)

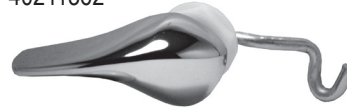


LEFT HAND COMPLETE LEVER HANDLE AND ROD ASSEMBLY
PART # 40211417

RIGHT HAND COMPLETE LEVER HANDLE AND ROD ASSEMBLY
PART # 40211418

AMERICAN STANDARD GLENWALL (2093) AND CADET (2333, 2366 AND 2377)

TRIP LEVER LEFT HAND
PART # 40211362



TRIP LEVER RIGHT HAND
PART # 40211415



SPRING ROD
HOLD DOWN
(included with
40211416 and
40211419)

RIGHT HAND
PLUNGER ARM PART
40211416



LEFT HAND
PLUNGER ARM FOR
PART # 40211419

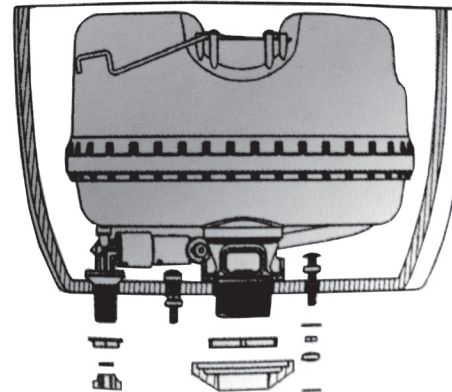


KOHLER PRESSURE ASSIST LEVER ROD/TRIP LEVER
FOR TOILET SERIES K-3493, K-3505 AND K-3554 AND SERIES
K-3519 AND K-3531

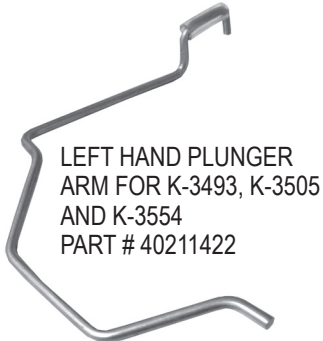
TRIP LEVER
LEFT HAND
PART # 40211420



TRIP LEVER
RIGHT HAND
PART # 40211421



LEFT HAND PLUNGER
ARM FOR K-3493, K-3505
AND K-3554
PART # 40211422



RIGHT HAND PLUNGER
ARM FOR K-3493,
K-3505 AND K-3554
PART # 40211423



LEFT HAND
PLUNGER ARM FOR
K-3519 AND K-3531
PART # 40214024



RIGHT HAND
PLUNGER ARM FOR
K-3519 AND K-3531
PART # 40211425



**TOTAL
MAINTENANCE
SOLUTIONS**

HOUSTON
800/392-5066

ORLANDO
800/327-3022

GREENVILLE
800/476-2212

LOOK FOR US ON THE WEB AT: www.TMSSouth.com

WATER COOLER & FOUNTAIN REPAIR

HALSEY TAYLOR WATER COOLERS

Certified lead free coolers come with a 5 year warranty plus additional 5 year warranty on evaporator/chiller. All coolers have maximum supply water pressure of 90 psi and are equipped for 120 volt, 60 Hz, single phase.

VOYAGER BARRIER-FREE COOLER

Wall mounted water cooler with softly rounded corners and edges, designed to be easily accessible to physically challenged individuals, both children and adults. Unit delivers 50°F water at 80°F inlet water and 90°F ambient.



PART # 40700082



COMPACT WALL-MOUNTED COOLER

Platinum vinyl finish. Delivers 4 GPH of 50 degree water at 90 degree ambient of 80 degree inlet water.

PART # 40700085

Same as 40700085 but delivers 8 GPH

PART # 38852450



UNIVERSAL FLOOR STANDING COOLER

Moss gray enamel finish. Delivers 14 GPH of 50 degree water at 90 degree ambient of 80 degree inlet water.

PART # 40700147

Water cooled condenser floor mounted unit
PART # 38852350

8 Gallon Floor Mounted Deluxe Cooler
PART # 40700153



WALL-MOUNTED COOLER

Moss Grey enamel finish
Delivers 8 GPH of 50 degree water at 90 degree ambient of 80 degree inlet water.

PART # 40700109

Same as 40700109 but delivers 14 GPH of 50 degree water.

PART # 40700148



ECONOMY FREE-STANDING COOLER

Platinum vinyl finish. Delivers 5 GPH of 50 degree water at 90 degree ambient of 80 degree inlet water.

PART # 40700156

2 gallon GPH
PART # 40700152



WATER-COOLED WALL-MOUNTED COOLER

Platinum vinyl finish. Unit delivers 16 GPH of 50°F water at 80°F inlet water and 90°F ambient.

PART # 38852550



BARRIER-FREE COOLER

Platinum vinyl finish. Features extra wide push bar for water control. Delivers 6.7 GPH of 50° water at 90° ambient of 80° inlet water.

PART # 40700083



BARRIER-FREE COOLER

Platinum vinyl finish. Self closing light-touch push bars with raised letters for the visually impaired. Delivers 50°F water at 80°F inlet water and 90°F ambient.

PART # 40700084



OASIS BARRIER-FREE VERSACOOLER MODEL P8AM

Delivers 8.0 GPH of 50°F water at 90°F ambient and 80°F inlet water. ADA compliant. Stainless steel top, flexible bubbler guard. Heavy duty galvanized steel frame with a high efficiency cooling tank and coil. Three push pad activation. Sandstone finish.

PART # 40700146



TOTAL MAINTENANCE SOLUTIONS

HOUSTON
800/392-5066

ORLANDO
800/327-3022

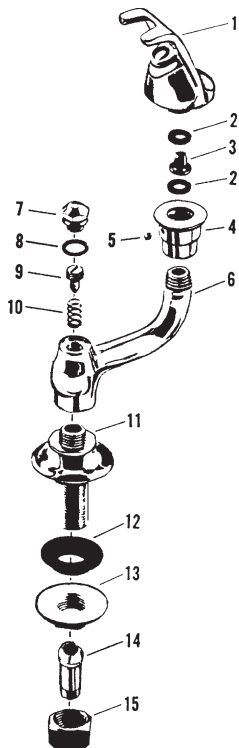
GREENVILLE
800/476-2212

LOOK FOR US ON THE WEB AT: www.TMSSouth.com

WATER COOLER & FOUNTAIN REPAIR

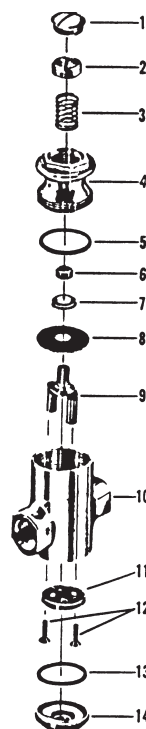
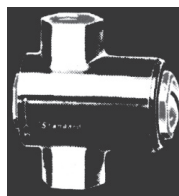
AMERICAN STANDARD-BUBBLER 8056.012 (N 6110)

ITEM	PART #	DESCRIPTION
1		Bubbler
2	01890583	Bubbler washer
3	01892636	Jet
4		Socket
5	01890283	Bubbler set screw
6		Body
7	01892508	Regulator cap nut
8	40120295	Cap washer
9	40700179	Regulator screw
10	40700180	Spring
11		Shank
12		Shank washer
13	40700181	Lock nut
14		Swivel
15	40800454	Coupling nut



AMERICAN STANDARD-REGULATOR 8090.011 (R 6000)

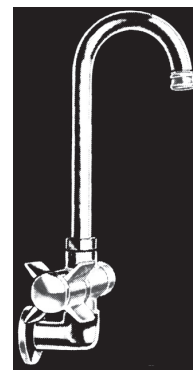
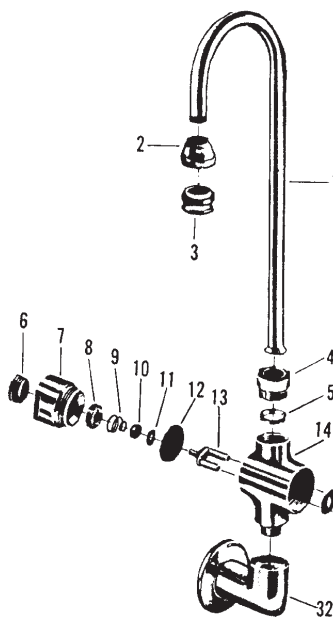
ITEM	PART #	DESCRIPTION
1	40700216	Regulating screw cap
2	40700217	Regulating screw
3	40700203	Spring
4	40700204	Regulator cap
5	40700205	Brass friction washer
6	40120396	Yoke lock nut
7	40700206	Brass washer
8	40700207	Diaphragm
9	40700208	Yoke
10		Body
11	40700209	Yoke disc
12	40700210	Yoke screw
13	40700211	Cap washer
14	40700212	Cap



AMERICAN STANDARD-GOOSENECK GLASS FILLER 8074.023 (R 6236)

ITEM	PART #	DESCRIPTION
1		Spout
2	40120581	Adapter
3	01890360	End trim
4		Lock nut
5		Gland
6	40700216	Cap screw
7		Spring chamber
8	40700217	Adjusting screw
9	40700218	Regulator spring
10	40700219	Hex nut
11	40120151	Washer
12	40700220	Diaphragm
13	40700221	Yoke
14		Body
15	40700222	Seat washer strip
16	40700223	Seat washer
17	40700224	Seat washer plate
18	40700210	Screw
19	40700226	Stem
20	40700227	Retaining washer
21	40700228	Spring
22	40120563	Friction washer
23	01893523	O-Ring
24	01890570	Static seal
25		Spring housing
26	40700231	Cam
27	40120526	Ball race
28	40700232	Handle

ITEM	PART #	DESCRIPTION
29	40120280	Pin
30	40120298	Stem nut
31	40700271	Cap
32		Elbow escutcheon



HOUSTON
800/392-5066

ORLANDO
800/327-3022

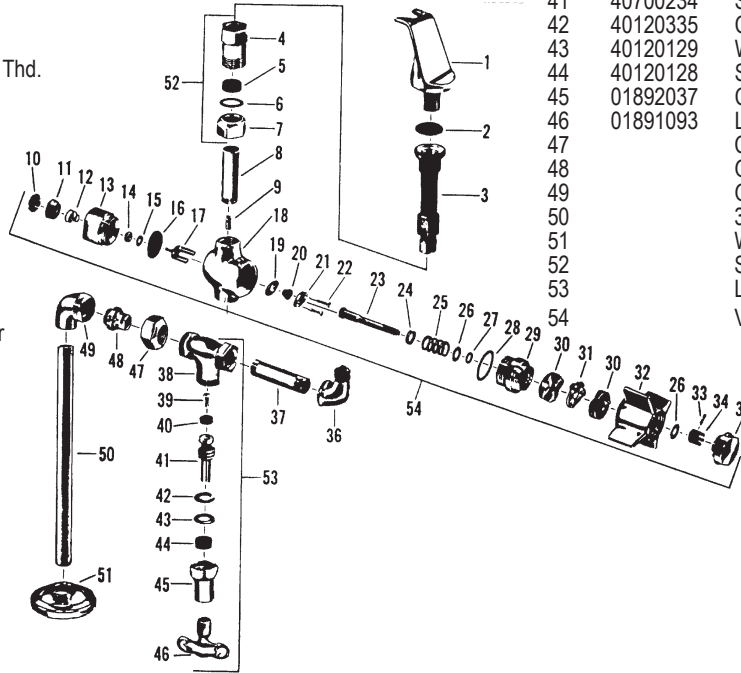
GREENVILLE
800/476-2212

LOOK FOR US ON THE WEB AT: www.TMSSouth.com

WATER COOLER & FOUNTAIN REPAIR

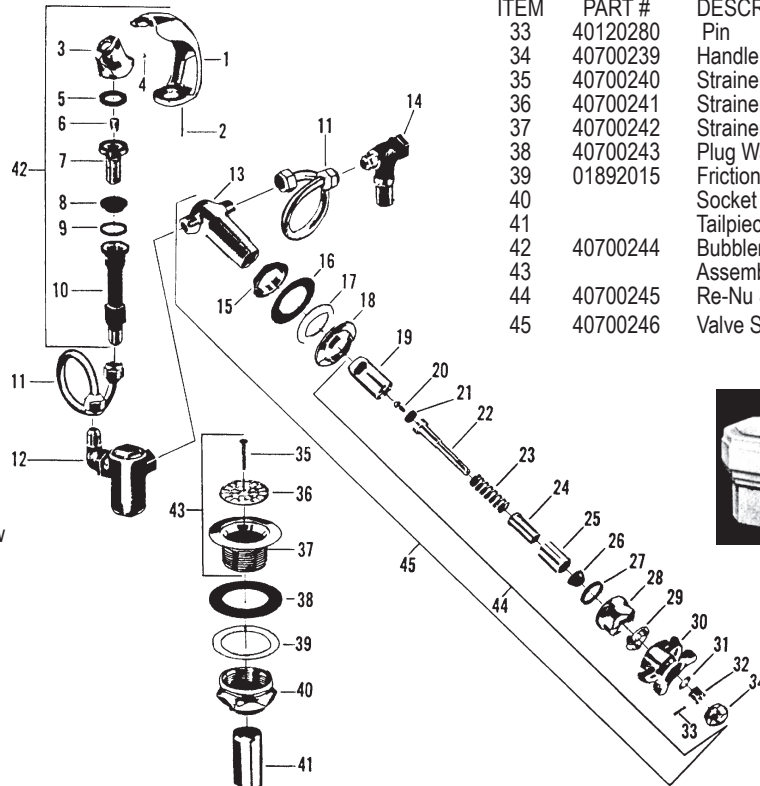
AMERICAN STANDARD-BUBBLER 8000.010 (R 6008)

ITEM	PART #	DESCRIPTION	ITEM	PART #	DESCRIPTION	ITEM	PART #	DESCRIPTION
1	40700213	Bubbler w/ washer	34	40120298	Handle Nut	37		3/8" x 2-5/8" Pipe-2 Thds.
2	01890122	Washer for Socket	35	01891182	Handle Cap	38		Stop Body
3		Socket	36		3/8" S.P.S Street Ell	39	50100018	Seat Washer Screw
4		Supply Connection				40	40700233	Seat Washer
5	01890206	Slip Joint Washer				41	40700234	Stem w/ washer & Screw
6	01890388	Friction Ring				42	40120335	Cap Washer
7	40700214	Slip Joint Nut				43	40120129	Washer
8		3/8" x 2-1/8" Pipe-1 Thd.				44	40120128	Stem Packing
9	40700215	Jet				45	01892037	Cap
10	40700216	Screw cap				46	01891093	Loose Key
11	40700217	Adjusting Screw				47		Coupling Nut
12	40700218	Spring				48		Ground Joint Coupling
13		Spring Chamber				49		Ground Joint Ell
14	40700219	Lock Nut				50		3/8" x 8" Pipe-1 Thread
15	40120151	Washer				51		Wall Escutcheon
16	40700220	Diaphragm				52		Slip Joint Connection S/A
17	40700221	Yoke				53		Loose Key Stop S/A
18		Valve Body				54		Valve S/A
19	40700222	Seat Washer Holder						
20	40700223	Seat Washer						
21	40700224	Seat Washer Plate						
22	40700210	Screw						
23	40700226	Stem						
24	40700227	Retaining Washer						
25	40700228	Spring						
26	40120563	Friction Washer						
27	40700229	O-ring						
28	40700230	Static Seal						
29		Spring Housing						
30	40700231	Cam						
31	40120526	Ball Race						
32	40700232	Handle						
33	40120280	Pin						



AMERICAN STANDARD-BUBBLER F 8355 N

ITEM	PART #	DESCRIPTION	ITEM	PART #	DESCRIPTION
1	01892502	Bubbler Guard	33	40120280	Pin
2	01892503	Pin for Bubbler Guard	34	40700239	Handle Cap
3	01892501	Bubbler	35	40700240	Strainer Screw
4	01890386	Set Screw for Bubbler	36	40700241	Strainer Grate
5	40120135	Bubbler Washer	37	40700242	Strainer Plug
6	01892505	Jet	38	40700243	Plug Washer
7		Bubbler Shank	39	01892015	Friction Washer
8	01890135	Shank Washer	40		Socket
9	01890122	Washer for Socket	41		Tailpiece
10		Socket	42	40700244	Bubbler & Socket S/A
11	40700236	Supply Tube	43		Assembled Strainer Plug
12		Regulator S/A	44	40700245	Re-Nu Self-Closing Unit
13		Valve Body	45	40700246	Valve S/A
14		Stop S/A			
15		Lock Nut			
16	01892028	Friction Ring			
17	01890133	Cushion Washer			
18	01893327	Flange			
19	40120556	Re-Nu Sleeve			
20	40120131	Seat Washer Screw			
21	40120301	Seat Washer			
22	40700237	Stem w/ washer & screw			
23	40120307	Spring			
24	40700238	Gland			
25	01892652	Spacer			
26	40120154	Stem Packing			
27	40120127	Cap Washer			
28		Cap			
29	40120526	Ball Race			
30	40120575	Handle			
31	40120563	Friction Washer			
32	40120298	Handle Nut			



**TOTAL
MAINTENANCE
SOLUTIONS**

HOUSTON
800/392-5066

ORLANDO
800/327-3022

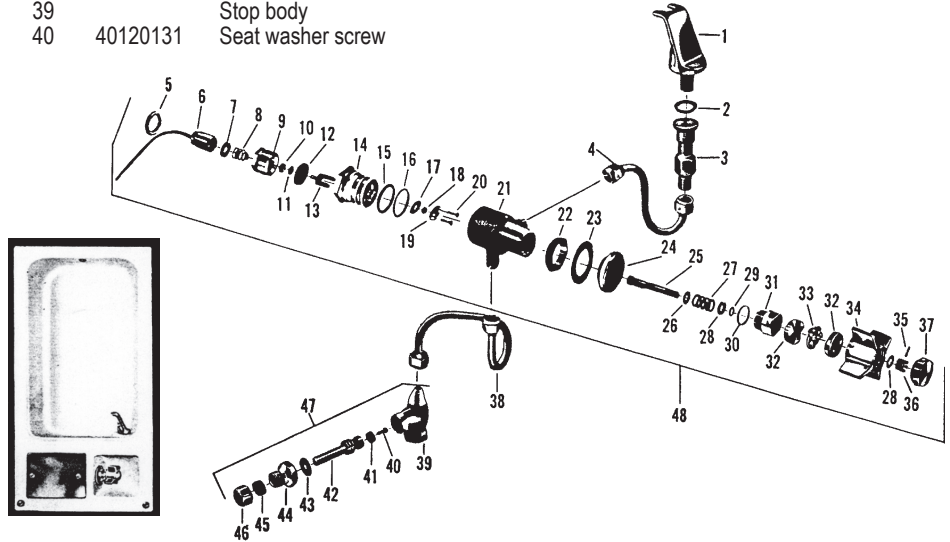
GREENVILLE
800/476-2212

LOOK FOR US ON THE WEB AT: www.TMSSouth.com

WATER COOLER & FOUNTAIN REPAIR

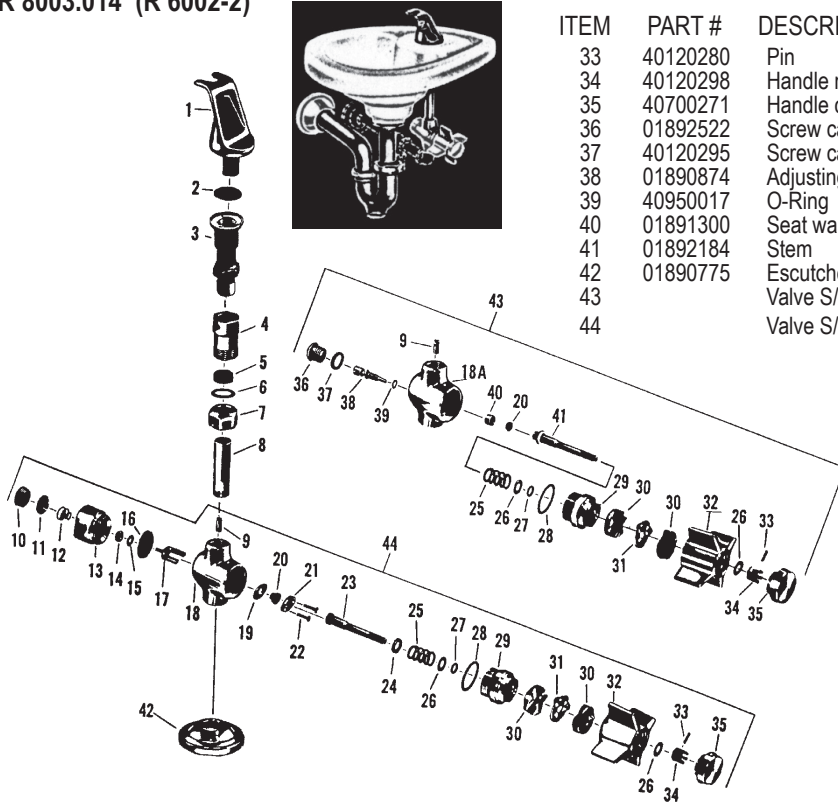
AMERICAN STANDARD-BUBBLER 8013.013 (R 6013)

ITEM	PART #	DESCRIPTION	ITEM	PART #	DESCRIPTION
1	01891549	Bubbler w/ washer	30	40120147	Static seal
2	40700248	Washer	31	40700268	Spring housing
3		Socket	32	40700231	Cam
4	01891305	Supply tube to bubbler	33	40120526	Ball race
5	40700249	Lock ring	34	40700232	Handle
6	40700250	Leak tube w/nut	35	40120280	Pin
7	40700251	Washer	36	40120298	Handle nut
8	40700252	Spring	37	40700271	Handle cap
9	40700253	Spring chamber	38	01891306	Supply tube to valve
10	40700219	Nut	39		Stop body
10-20	01892499	Sleeve S/A	40	40120131	Seat washer screw
11	40120151	Washer			
12	40700220	Diaphragm			
13	40700221	Yoke			
14	40700257	Sleeve			
15	40700258	O-Ring			
16	40700259	Washer			
17	40700222	Seat washer holder			
18	40700223	Seat washer			
19	40700224	Seat washer plate			
20	01890380	Screw			
21		Valve body			
22	40120584	Lock nut			
23	40120293	Friction washer			
24	40120311	Escutcheon			
25	40700264	Stem			
26	40700227	Retaining washer			
27	40700228	Spring			
28	40120563	Friction washer			
29	40950045	O-Ring			



AMERICAN STANDARD-BUBBLER 8003.014 (R 6002-2)

ITEM	PART #	DESCRIPTION	ITEM	PART #	DESCRIPTION
1	40700213	Bubbler w/ washer	33	40120280	Pin
2	40700248	Socket washer	34	40120298	Handle nut
3		Socket	35	40700271	Handle cap
4		Supply connection	36	01892522	Screw cap
5	01890206	Slip joint washer	37	40120295	Screw cap washer
6	01890386	Friction washer	38	01890874	Adjusting screw
7	40700214	Slip joint nut	39	40950017	O-Ring
8		3/8" x 1-3/4" Pipe	40	01891300	Seat washer holder
9	40700215	Jet	41	01892184	Stem
10	40700216	Screw cap	42	01890775	Escutcheon
11	40700217	Adjusting screw	43		Valve S/A-manual reg.
12	40700218	Spring	44		Valve S/A- automatic reg.
13		Spring chamber			
14	40700219	Nut			
15	40120151	Washer			
16	40700220	Diaphragm			
17	40700221	Yoke			
18		Body			
19	40700222	Seat washer holder			
20	40700223	Seat washer			
21	40700224	Seat washer plate			
22	40700210	Screw			
23	40700226	Stem			
24	40700227	Retaining washer			
25	40700228	Spring			
26	40120563	Friction washer			
27	40950045	O-Ring			
28	40950053	Static seal			
29		Spring housing			
30	40700231	Cam			
31	40120526	Ball race			
32	40700232	Handle			



**TOTAL
MAINTENANCE
SOLUTIONS**

HOUSTON
800/392-5066

ORLANDO
800/327-3022

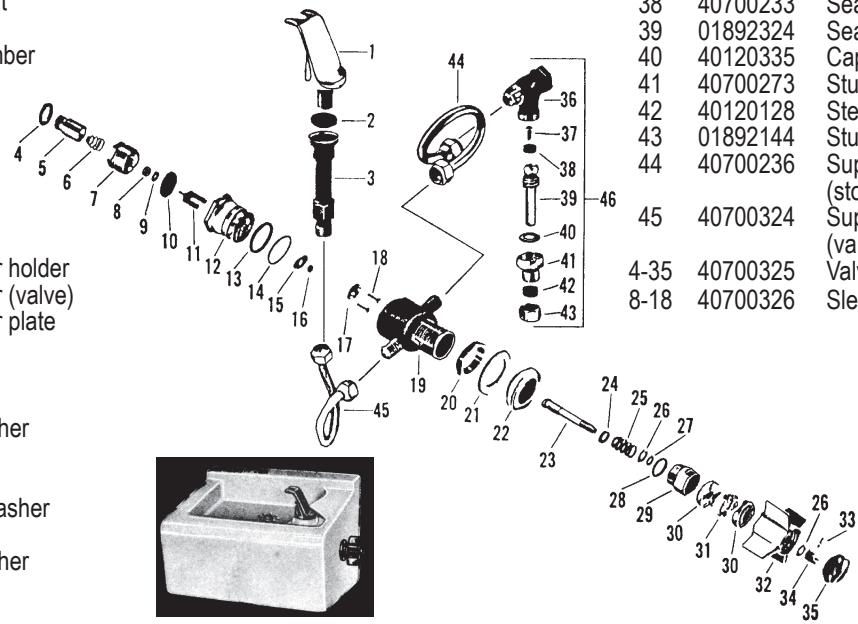
GREENVILLE
800/476-2212

LOOK FOR US ON THE WEB AT: www.TMSSouth.com

WATER COOLER & FOUNTAIN REPAIR

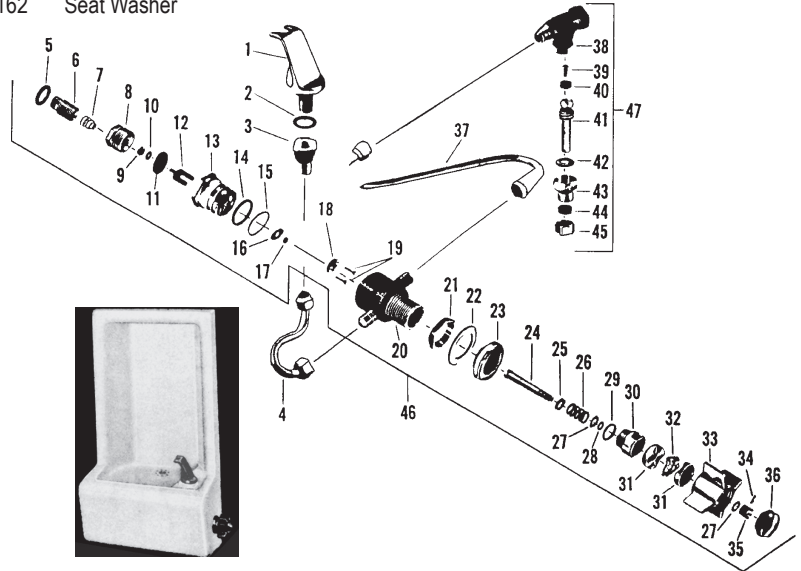
AMERICAN STANDARD-BUBBLER 8004.012 (R 6009)

ITEM	PART #	DESCRIPTION	ITEM	PART #	DESCRIPTION	ITEM	PART #	DESCRIPTION
1	40700213	Bubbler with washer	30	40700231	Cam	34	40120298	Handle nut
2	40700248	Washer for socket	31	40120526	Ball race	35	40700271	Handle cap
3		Socket	32	40700232	Handle	36		Stop body
4	40700249	Lock ring	33	40120280	Pin	37	40120131	Seat washer screw
5	40700300	Adjusting nut				38	40700233	Seat washer (stop)
6	40700252	Spring				39	01892324	Seat w/ washer & screw
7	40700253	Spring chamber				40	40120335	Cap washer
8	40700219	Lock nut				41	40700273	Stuffing box cap
9	40120151	Washer				42	40120128	Stem packing
10	40700220	Diaphragm				43	01892144	Stuffing nut
11	40700221	Yoke				44	40700236	Supply tube (stop to valve)
12	40700257	Sleeve				45	40700324	Supply tube (valve to bubbler)
13	40700258	Static seal				4-35	40700325	Valve S/A
14	40700259	Washer				8-18	40700326	Sleeve S/A
15	40700222	Seat washer holder						
16	40700223	Seat washer (valve)						
17	40700224	Seat washer plate						
18	40700210	Screw						
19		Valve body						
20	40120584	Lock nut						
21	40120293	Friction washer						
22	40120311	Escutcheon						
23	40700264	Stem						
24	40700227	Retaining washer						
25	40700228	Spring						
26	40120563	Friction washer						
27	40700229	O-Ring						
28	40120147	Static seal						
29	40700268	Spring housing						



AMERICAN STANDARD-BUBBLER 8011.017 (R 6011)

ITEM	PART #	DESCRIPTION	ITEM	PART #	DESCRIPTION	ITEM	PART #	DESCRIPTION
1	40700213	Bubbler w/ washer	32	40120526	Ball Race	41	01892324	Stem w/ washer & screw
2	40700248	Washer for socket	33	40700232	Handle	42	40120335	Cap Washer
3		Socket	34	40120280	Pin	43	40700273	Stuffing Box Cap
4	01891291	Supply Tube (Valve to Bubbler)	35	40120298	Handle Nut	44	40120128	Stem Packing
5	40700249	Lock ring	36	40700271	Handle Cap	45	01892144	Stuffing Nut
6	40700300	Adjusting Nut	37	01891289	Supply Tube (Stop to Valve)	46	40700325	Valve S/A
7	40700252	Spring	38		Stop Body	47		Stop S/A
8	40700253	Spring Chamber	39	40120131	Seat Washer Screw	9-19	40700326	Sleeve S/A
9	40700219	Lock Nut	40	40120162	Seat Washer			
10	40120151	Washer						
11	40700220	Diaphragm						
12	40700221	Yoke						
13	40700257	Sleeve						
14	40700258	Static Seal						
15	40700259	Washer						
16	40700222	Seat Washer Holder						
17	40700223	Seat Washer						
18	40700224	Seat Washer Plate						
19	40700210	Screw						
20		Valve Body						
21	40120584	Lock Nut						
22	40120293	Friction Washer						
23	40120311	Escutcheon						
24	40700264	Stem						
25	40700227	Retaining Washer						
26	40700228	Spring						
27	40120563	Friction Washer						
28	40950045	O-ring						
29	40120147	Static Seal						
30	40700268	Spring Housing						
31	40700231	Cam						



**TOTAL
MAINTENANCE
SOLUTIONS**

HOUSTON
800/392-5066

ORLANDO
800/327-3022

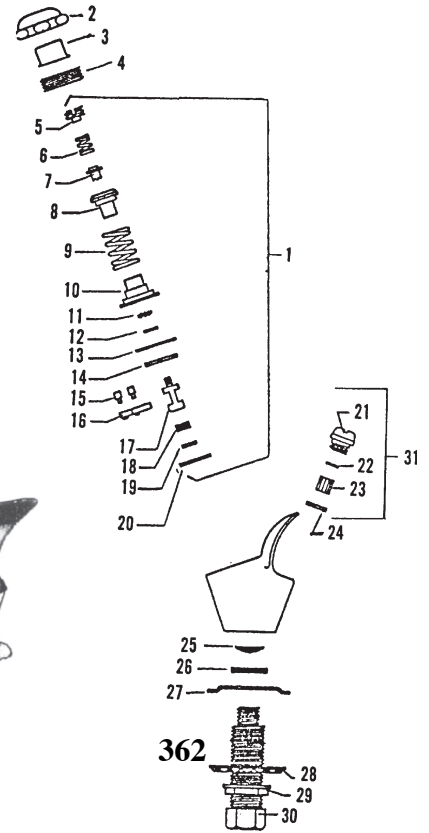
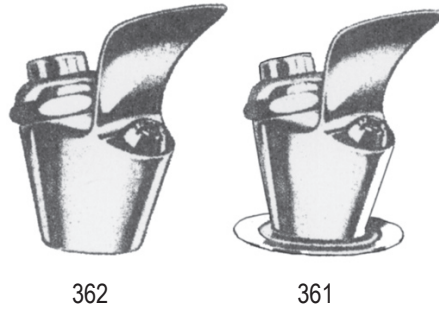
GREENVILLE
800/476-2212

LOOK FOR US ON THE WEB AT: www.TMSSouth.com

WATER COOLER & FOUNTAIN REPAIR

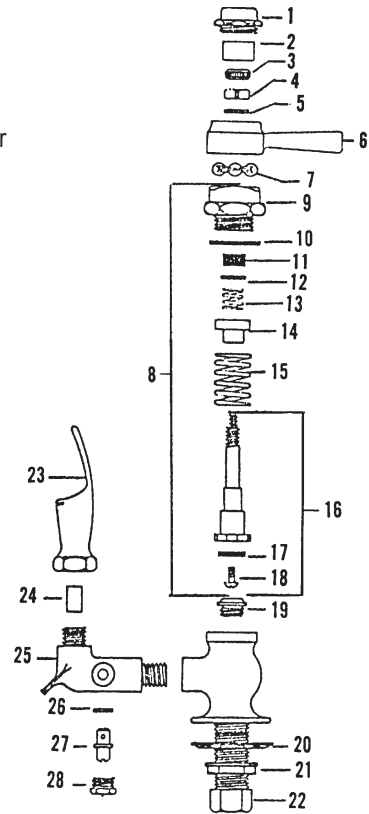
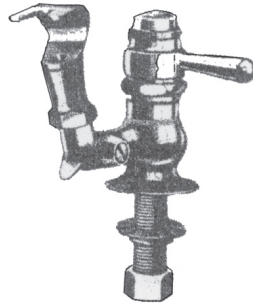
CENTRAL BRASS 360, 361 & 362 BUBBLER

ITEM	PART #	DESCRIPTION	ITEM	PART #	DESCRIPTION
1	40120238	Bubbler cartridge repair kit	25	40700364	Screen
2	40700355	Cap nut	26	40700365	Rubber washer
3	40700356	Cap	27	40700366	Flange
4	40700357	Bushing holder	28	40800529	Rosette
5	40700358	Regulator screw	29	40800598	Locknut
6	40700359	Spring	30	40800454	Coupling nut
7	40700360	Locknut	31	40700367	Jet sub unit assy.
8	40700361	Bushing			
9	40700362	Spring			
10		Bushing			
11		Lock washer			
12		Brass washer			
13		Diaphragm			
14		Brass washer			
15		Pins			
16		Seat piece			
17	40700363	Seat holder			
18		Seat washer			
19		Plug			
20	02150544	Gasket			
21		Jet			
22		Screen			
23		Stream straightener			
24		Fibre gasket			



CENTRAL BRASS 364-L DRINKING FAUCET

ITEM	PART #	DESCRIPTION	ITEM	PART #	DESCRIPTION
1	40700368	Cap	25		Elbow
2	40700369	Sleeve	26	02150990	Regulator washer
3	40700370	Samson nut	26-27	02150870	Regulator stem w/ washer
4	40700371	Square nut	28	02151000	Regulator cap
5	40700372	Brass washer			
6	40700373	Handle			
7	40700374	Ball retainer			
8		Self-closing stem & centerpiece			
9	40700375	Centerpiece			
10	02150633	Gasket			
11	40700376	Packing			
12	02150136	Brass washer			
13	02150172	Spring			
14	40700377	Gland			
15	40700378	Spring			
16	40700379	Self-closing stem sub-assembly			
17	40120251	Washer			
18	50100011	Screw			
19	42000280	Seat			
20	40800529	Rosette			
21	51000048	Locknut			
22	40800454	Coupling nut			
23	02151210	Guard			
24		Web			



**TOTAL
MAINTENANCE
SOLUTIONS**

HOUSTON
800/392-5066

ORLANDO
800/327-3022

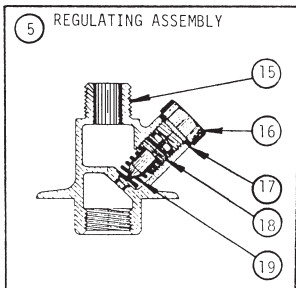
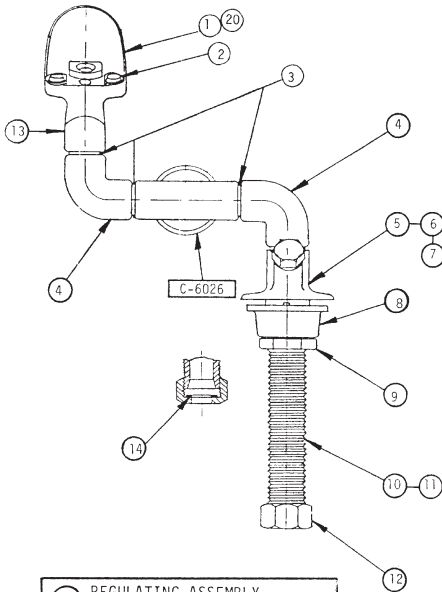
GREENVILLE
800/476-2212

LOOK FOR US ON THE WEB AT: www.TMSSouth.com

WATER COOLER & FOUNTAIN REPAIR

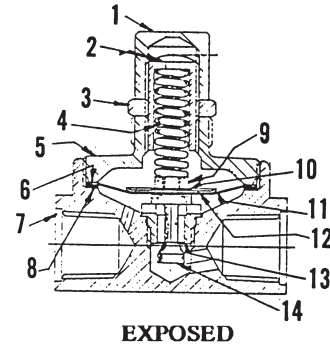
CRANE BUBBLERS C- 6007, 6017, 6008, 6018

ITEM	PART #	DESCRIPTION
1	40700380	Shield
2	40700381	Screw
3		Nipple
4		Elbow
5	04893052	Regulator assembly
6		Regulator assembly with shank C-6007
7		Regulator assembly with shank C-6017
8	40800629	Shank washer
9	40800598	Jam nut
10		Shank for C-6007
11		Shank for C-6017
12	40800454	Union ring
13	40700382	Body
14		Friction ring
15	04891050	Base
16	04893316	Cap
17	04893310	Gasket
18	04893314	Regulator screw
19	04893048	Spring
20	04893054	Bubbler head
20	04893066	Screw



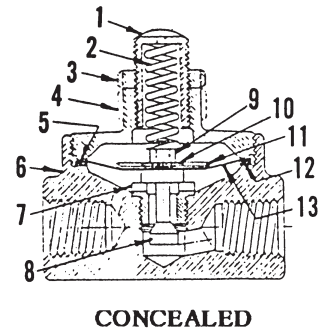
CRANE AUTOMATIC STREAM REGULATOR C-6020

ITEM	PART #	DESCRIPTION
1	40700383	Cap
2	40700384	Regulator screw
3	40700385	Locknut
4	40700386	Spring
5		Bonnet
6	04891488	Friction ring
7		Body
8	40700388	Gasket
9	40700389	Nut
10	40700390	Stem washer
11	40700391	Diaphragm
12	40700392	Diaphragm washer
13	40700393	Seat
14	40700394	Stem



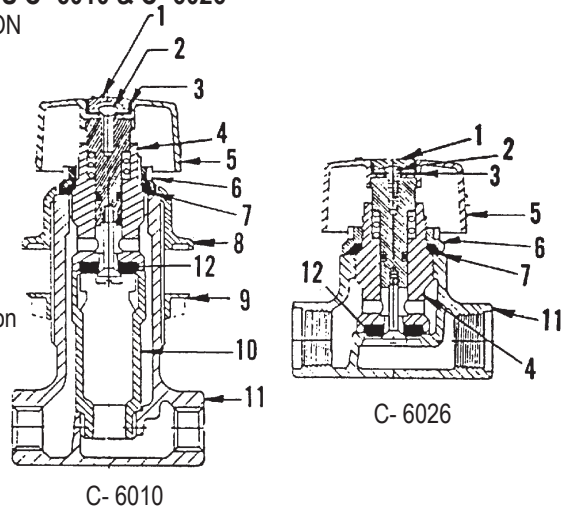
CRANE AUTOMATIC STREAM REGULATOR C-6021

ITEM	PART #	DESCRIPTION
1	04891482	Regulator screw
2	04891499	Spring
3	04891483	Locknut
4		Bonnet
5	04891488	Friction ring
6		Body
7	04891479	Seat
8	04891481	Stem
9	04890990	Nut
10	04892022	Stem washer
11	04891487	Diaphragm washer
12	04891491	Gasket
13	04891490	Diaphragm



CRANE PUSH BUTTON STOPS C- 6010 & C- 6026

ITEM	PART #	DESCRIPTION
1	04893062	Button - blue
2	04893066	Screw
3	04893064	Insert
4	40120611	Control unit
5	04893056	Handle
6	40120047	Locknut
7	04893984	Gasket
8		Flange
9		Locknut
10	04891200	Seat extension
11		Body
12	04893070	Seat ring

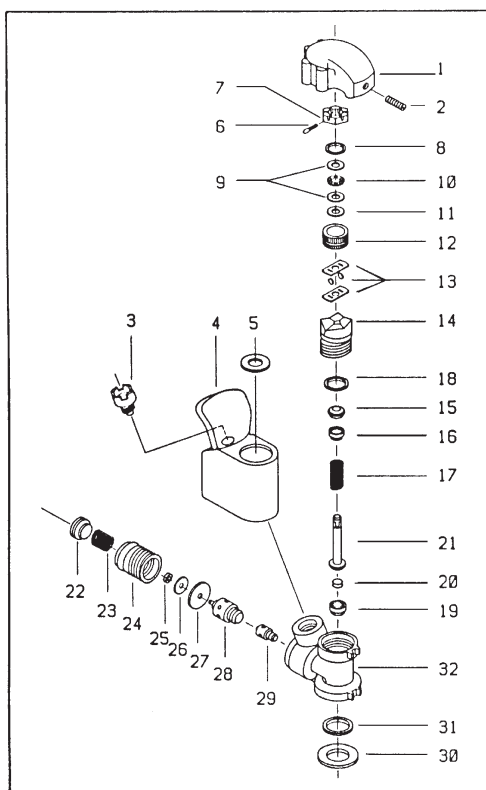


WATER COOLER & FOUNTAIN REPAIR

EBCO MODEL 12000 VALVE

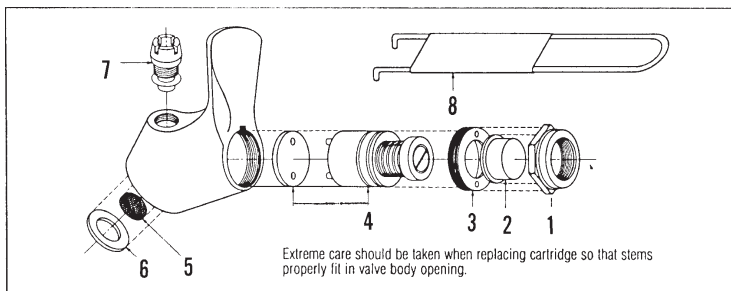
ITEM	PART #	DESCRIPTION
1&2	40700162	Handle assembly w/ set screw
3	40700015	Nozzle
4	40700407	Guard
5	38282010	Washer
6-21	40700003	Stem assembly
22	40700004	Adjusting screw
23	40700005	Spring
24	38282013	Nut
25-28	40700007	Sleeve & diaphragm assembly
29	40700008	Piston, regulator
30	40700414	Washer, friction
31	40700413	Gasket, valve body
32	38282032	Valve body assy. items 6-31

COMPLETE VALVE
PART # 40700012

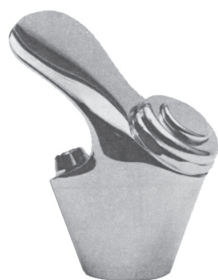


GENERIC BUBBLER

ITEM	PART #	DESCRIPTION
1	40700408	Hex nut
2	40700409	Button
3	40700410	Retaining nut
4	40700150	Cartridge assembly – brass
	40700160	Cartridge assembly – plastic
5	40700411	Screen
6	40700136	Washer
7	40700412	Spout assembly
8	20200139	Spanner wrench



COMPLETE BUBBLER
PART # 40700149



**TOTAL
MAINTENANCE
SOLUTIONS**

HOUSTON
800/392-5066

ORLANDO
800/327-3022

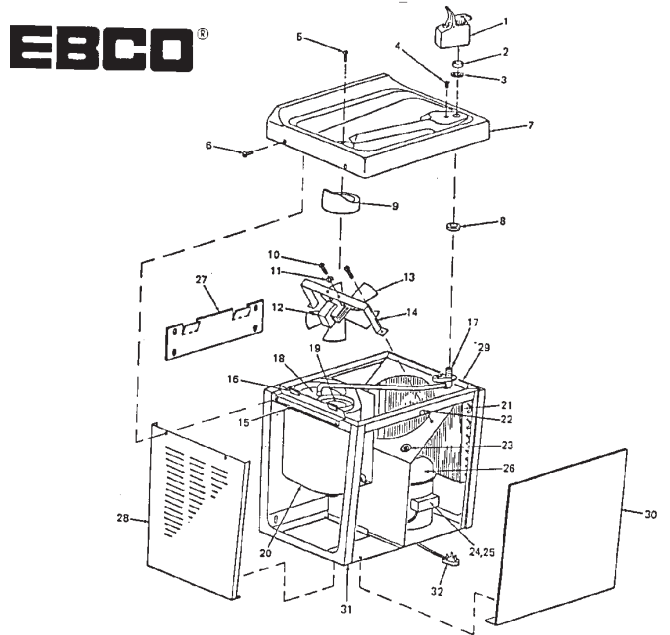
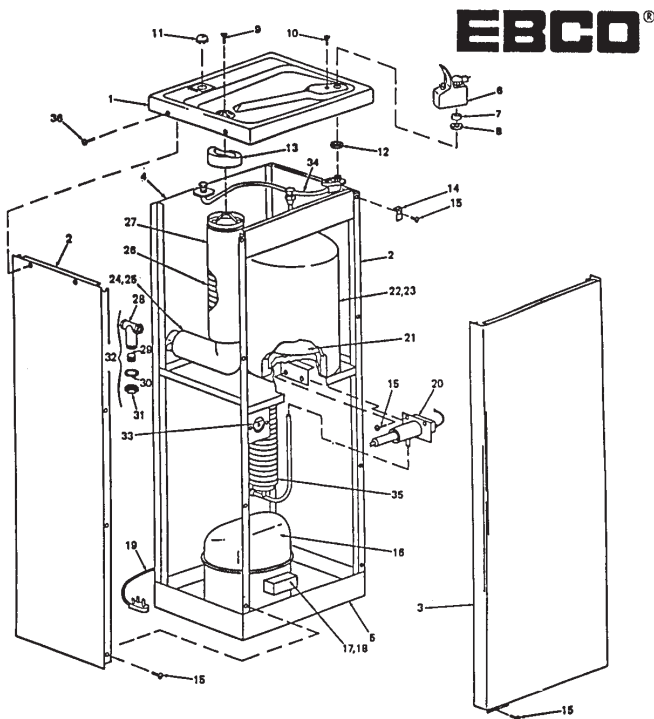
GREENVILLE
800/476-2212

LOOK FOR US ON THE WEB AT: www.TMSSouth.com

WATER COOLER & FOUNTAIN REPAIR

ITEM	MODEL DP15W-1	MODEL DP15W-SCP-1	DESCRIPTION
1	38283215	38283215	Top
2	38283914	38283915	Side panel (2)
3	38283477	38283616	Front panel
4	38285975	38285621	Rear Panel
5	38283367	38287061	Base
6	40700012	40700012	12000 Valve assembly
7	40700413	40700413	Bubbler valve gasket
8	40700414	40700414	Plastic friction washer
9	38286748	38286748	Drain screw
10	38286775	38286775	Screw
11	38283100	38283100	Hole cover
12	38282179	38282179	Gasket (under top)
13	38282023	38282023	Waste gasket
14	38283443	38283443	Retaining clip
15	38284846	38286747	Panel screw
16	38287180	38287180	Compressor (includes 17&18)
17	38284022	38284022	Overload
18	38283930	38283930	Relay
19	38286641	38286641	Service cord
20	38286562	38286562	Water valve replacement kit
21	38285555	38285833	Cooling tank
22	38283245	38283245	Cooling tank insulation
23	38283246	38283246	Cooling tank insulation
24	38284652	38284652	Waste insulation, L/H
25	38284653	38284653	Waste insulation, R/H
26	38285749	38285749	Precooler
27	38283255	38283255	Precooler insulation
28	38282247	38282247	Strainer body
29	38282114	38282114	Screen
30	38282113	38282113	Gasket
31	38282112	38282112	Cap nut
32	38282120	38282120	Strainer assembly
33	38287016	38287016	Cold control
34	38283432	38285826	Top supply line
35	38285556	38285556	Condenser
36	38286710	38286710	Top screw

ITEM	MODEL CP3M	MODEL CP5M	DESCRIPTION
1	40700012	40700012	Bubbler valve
2	40700413	40700413	Bubbler valve gasket
3	40700414	40700414	Friction washer
4	38286775	38286775	Valve spud screw
5	38286748	38286748	Drain screw
6	38286710	38286710	Top screw
7	38283936	38283936	Top
8	38282179	38282179	Gasket (under top)
9	38283247	38283247	Waste gasket
10	38286753	38286753	Screw
11	38282145	38282145	Washer
12	38284175	38284175	Fan motor
13	38284177	38284177	Fan blade
14	38284176	38284176	Fan motor bracket
15	38283262	38283262	Spacer angle
16	38282221	38282221	Top pad
17	NLA	NLA	Top supply line
18	38287348	38287348	Cooling tank
19	38284180	38284173	Waste assembly
20	38284201	38284201	Cooling tank insulation-left
	38284202	38284202	Cooling tank insulation-right
21	38284153	38284153	Condenser
22	38283274	38283274	Panel clip
23	38287016	38287016	Cold control
24	38283049	38283049	Overload
25	38282761	38282761	Relay
26	38283051	38283051	Compressor (includes 24&25)
27	38286359	38286359	Hanger
28			Left side panel
29	specify	finish	Right side panel
30			Front panel
31	38284168	38284168	Frame assembly
32	38286640	38286640	Service cord



TO ORDER
800/476-2212 or 864/268-2891

www.plumbingspecialties.com

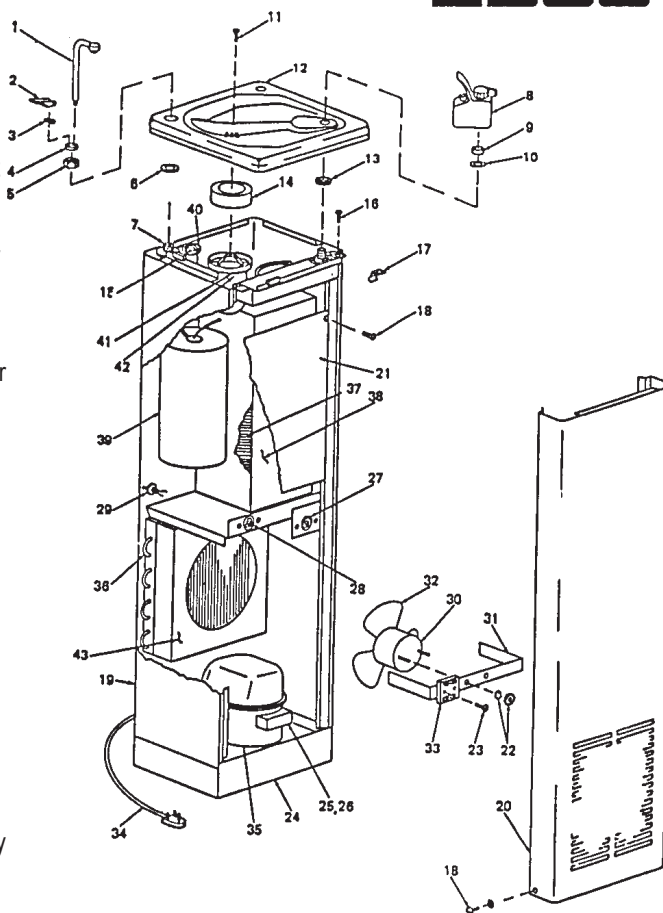


FAX
864/268-8912 or 888/587-0575

WATER COOLER & FOUNTAIN REPAIR



ITEM	MDL CP3 CP3-D*	MDL CP3H CP3H-D	MDL CP5 CP5-D	MDL CP10 CP10-D	DESCRIPTION
1	-	38283070	-	-	Gooseneck
2	-	38283209	-	-	Handle
3	-	38283210	-	-	Tee nut
4	-	38283211	-	-	Body cap
5	-	38283063	-	-	Nut
6	-	38283062	-	-	Rubber gasket
7	-	38284708	-	-	Valve body assembly
8	40700012	40700012	40700012	40700012	12000 Bubbler valve
9	40700413	40700413	40700413	40700413	Bubbler valve gasket
10	40700414	40700414	40700414	40700414	Friction washer
11	38286749	38286749	38286749	38286749	Top screw
12	38285909	38285909	38285909	38285909	Top
13	38282179	38282179	38282179	38282179	Gasket
14	38282025	38282025	38282025	38282025	Waste gasket
15	38282221	38282221	38282221	38282221	Top pad
16	38286715	38286715	38286715	38286715	Screw
17	38282250	38282250	38282250	38282250	Speed nut
18	38286719	38286719	38286719	38286719	Screw
19	38284056	38283144	38284056	38284056	Cabinet assembly
20	38283041	38283041	38283041	38283041	Front panel
21	-	38283231	-	-	Fire barrier
22	38286880	38286880	38286880	38286880	Nut & lock washer
23	38283046	38283046	38283046	38283046	Screw
24	38284668	38284668	38284668	38284668	Base assembly
25	38282761	38282761	38283228	38283228	Starting relay
26	38283049	38283049	38282022	38282022	Overload
26A	38284934	38284934	38284933	38284933	Overload & relay (Danfoss)
27	38287016	38287016	38287016	38287016	Cold control
28	-	38287315	-	-	Hot control
29	-	38283110	-	-	Hot tank toggle switch
30	38287119	38287119	38287119	38287119	Fan motor
31	38283043	38283043	38283043	38283043	Fan motor bracket
32	38283141	38283141	38283141	38283141	Fan blade
33	38285440	38285440	38285440	38285440	Terminal base
34	38286641	38286639	38286641	38286641	Service cord
34A	38286652	38286652	38286652	38286652	Service cord (Danfoss)
35	38283051	38283051	38287063	38287063	Compressor (includes 25&26)
35A	38286914	38286914	38284141	38284141	Compressor (Danfoss, includes 26A, 45, 46)
36	38283044	38283044	38283325	38283325	Condenser
37	38283411	38283413	38283323	38283328	Cooling tank assembly
38	38283078	38283078	38283078	38283078	Cooling tank insulation
39	-	-	-	-	Hot tank assembly
40	-	38284059	-	-	Check valve
41	38282662	38283151	38282662	-	Waste assembly
42	-	-	-	38283330	Precooler
43	38285726	38285726	38283142	38283142	Fan shroud
44	38282775	-	38282775	38282775	Hole cover (not shown)
45	38284936	38284936	38284936	38284936	Compressor cover (Danfoss models)
46	38284935	38284935	38284935	38284935	Compressor terminal block (Danfoss models)



HOUSTON **ORLANDO** **GREENVILLE**
 800/392-5066 800/327-3022 800/476-2212
 LOOK FOR US ON THE WEB AT: www.TMSSouth.com

WATER COOLER & FOUNTAIN REPAIR

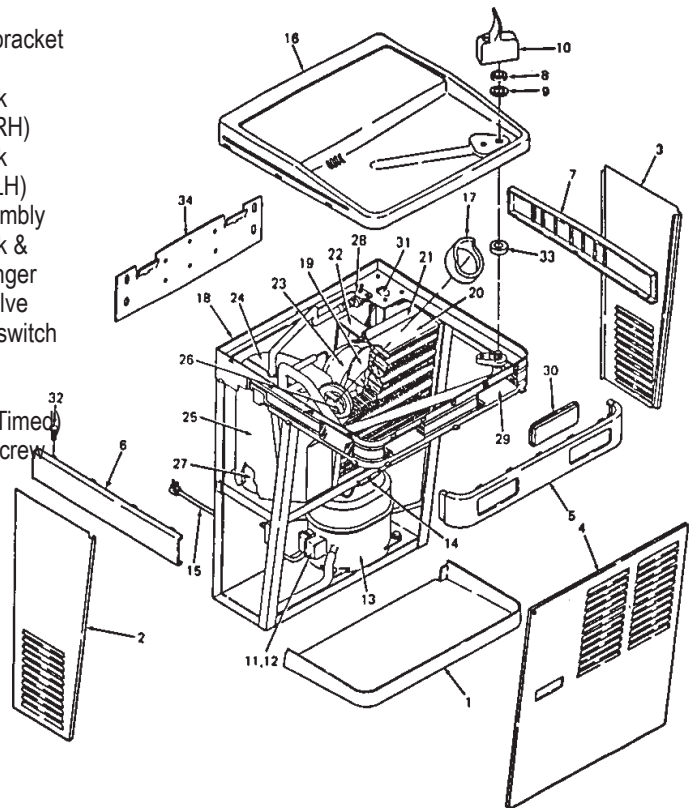
EBCO MODEL NUMBERS

EP8WM EP8WM-E EP8WM-AE
 WEWC08 WEWC08-SG WEWC08-SA

OASIS MODEL NUMBERS

PLF8WMQ
 PLF8WMD PLF8WMQA
 PLF8WM PSF8WMD PLF7WMQS

ITEM	PLF8WM	PSF8WMD	PLF8WMQ PLF8WMQA PLF7WMQS	DESCRIPTION
1	specify finish*	specify finish*		Front housing
2	specify finish*	specify finish*		Left side panel
3	specify finish*	specify finish*		Right side panel
4	specify finish*	specify finish*		Front panel
5	38286917	38286916	38286916	Front Bezel
6	38286926	38286926	38286924	Left side Bezel
7	38286927	38286927	38286925	Right side Bezel
8	40700413	40700413	40700413	Valve body gasket
9	40700546	40700546	40700546	Washer (Under Top)
38	40700414	40700414	40700414	Friction washer
10	40700012	38286663	38286663	12000 Valve assembly 12000A Valve assembly (PLF-001 Series)
11	38282022	38282022	38282022	Overload
12	38283228	38283228	38283228	Relay
13	38287063	38287063	38287063	Compressor
14	40700171	40700171	40700171	Cold control thermostat
15	38286639	38286639	38286639	Service cord
16				Top
17	38287041	38287041	38287041	Waste gasket
18	38286975	38286975	38286975	Frame assembly
19	38285746	38285746	38285746	Fan blade
20	38286969	38286969	38286969	Condenser
21	38286970	38286970	38286970	Fan shroud
22	38286971	38286971	38286971	Fan motor bracket
23	38287120	38287120	38287120	Fan motor
24	38286964	38286964	38286964	Cooling tank insulation (RH)
25	38286965	38286965	38286965	Cooling tank insulation (LH)
26	38286977	38286977	38286977	Waste assembly
27		38287030	38287030	Cooling tank & heat exchanger
28	-	40700023	40700023	Solenoid valve
29	-	38286979	38286979	Membrane switch
30	-	38286928	38286928	Switch pad
31A	-	38287071	-	PC Board
31B	-	-	38287070	PC Board (Timed)
32	38286721	38286721	38286721	Line head screw
33	38282179	38282179	38282179	Gasket (under top)
34	38282736	38282736	38282736	Hanger
not shown	38286407	38286407	38286407	Water inlet fitting



*Finishes: Sandstone,
Stainless Steel or Tan



HOUSTON
800/392-5066

ORLANDO
800/327-3022

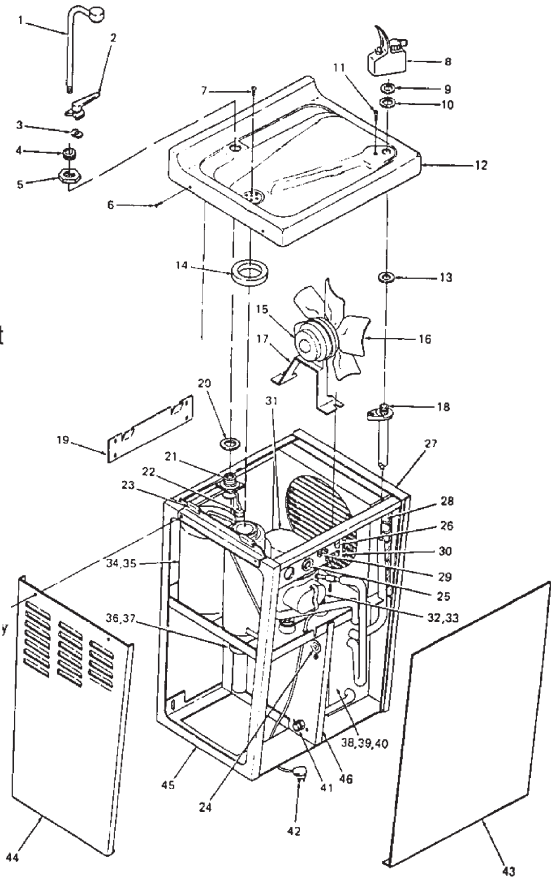
GREENVILLE
800/476-2212

LOOK FOR US ON THE WEB AT: www.TMSSouth.com

WATER COOLER & FOUNTAIN REPAIR



ITEM	MDL DP8M WELCO8	MDL DP8MH WELHO8	MDL DP14M WELC14	MDL DP16M-1 WELC16-001	DESCRIPTION
1	-	38283070	-	-	Gooseneck
2	-	38283209	-	-	Handle
3	-	38283210	-	-	Tee nut
4	-	38283211	-	-	Body cap
5	-	38283063	-	-	Nut
6	38286710	38286710	38286710	38286710	Top screw S/S
7	38286748	38286748	38286748	38286748	Drain screw S/S
8	40700012	40700012	40700012	40700012	12000 bubbler valve
9	40700413	40700413	40700413	40700413	Bubbler valve gasket
10	40700414	40700414	40700414	40700414	Friction washer
11	38286775	38286775	38286775	38286775	Screw
12	38283215	38283215	38283215	38283215	Top
13	38282179	38282179	38282179	38282179	Gasket
14	38282023	38282023	38282023	38282023	Waste gasket
15	38283633	38283633	38283633	38283633	Fan motor
16	38285306	38285306	38285306	38285306	Fan blade
17	38283447	38283447	38283447	38283447	Fan motor bracket
18	38286118	38286118	38286118	38286118	Valve spud
19	38282736	38282736	38282736	38282736	Hanger
20	-	38283062	-	-	Hot valve gasket
21	-	38284709	-	-	Hot valve body
22	-	38284059	-	-	Check valve
23	38282221	38282221	38282221	38282221	Top pads
24	40700171	40700171	40700171	40700171	Cold control
25	-	38287315	-	-	Hot control
26	38283274	38283274	38283274	38283274	Panel clip
27	specify		finish		Right side panel
28	38285755	38285755	38285755	38285755	Condenser assembly
29	-	38285440	-	-	Terminal base
30	-	38283671	-	-	Control mounting bracket
31	38287063	38287063	38287063	38287063	Compressor (includes 32&33)
32	38282022	38282022	38282022	38282022	Overload
33	38283228	38283228	38283228	38283228	Relay
34	-	38286576	-	-	Hot tank
35	-	38286305	-	-	Hot tank insulation
36	38283722	38286236	38286138	38286138	Precooler or waste
37	38283263	38283263	38283252	38283252	Precooler insulation
38	38286120	38286213	38286156	38286156	Cooling tank
39	38286108	38286108	38286108	38286108	Cooling tank insulation 1/2
40	38286109	38286109	38286109	38286109	Cooling tank insulation 1/2
41	38282752	38282752	38282752	38282752	Drain plug
42	38286640	38286640	38286640	38286640	Service cord
43	specify		finish		Front panel
44	specify		finish		Left side panel
45	38286122	38286122	38286122	38286122	Frame assembly
46	38286124	38286124	38286124	38286124	Partition plate



HOUSTON
800/392-5066

ORLANDO
800/327-3022

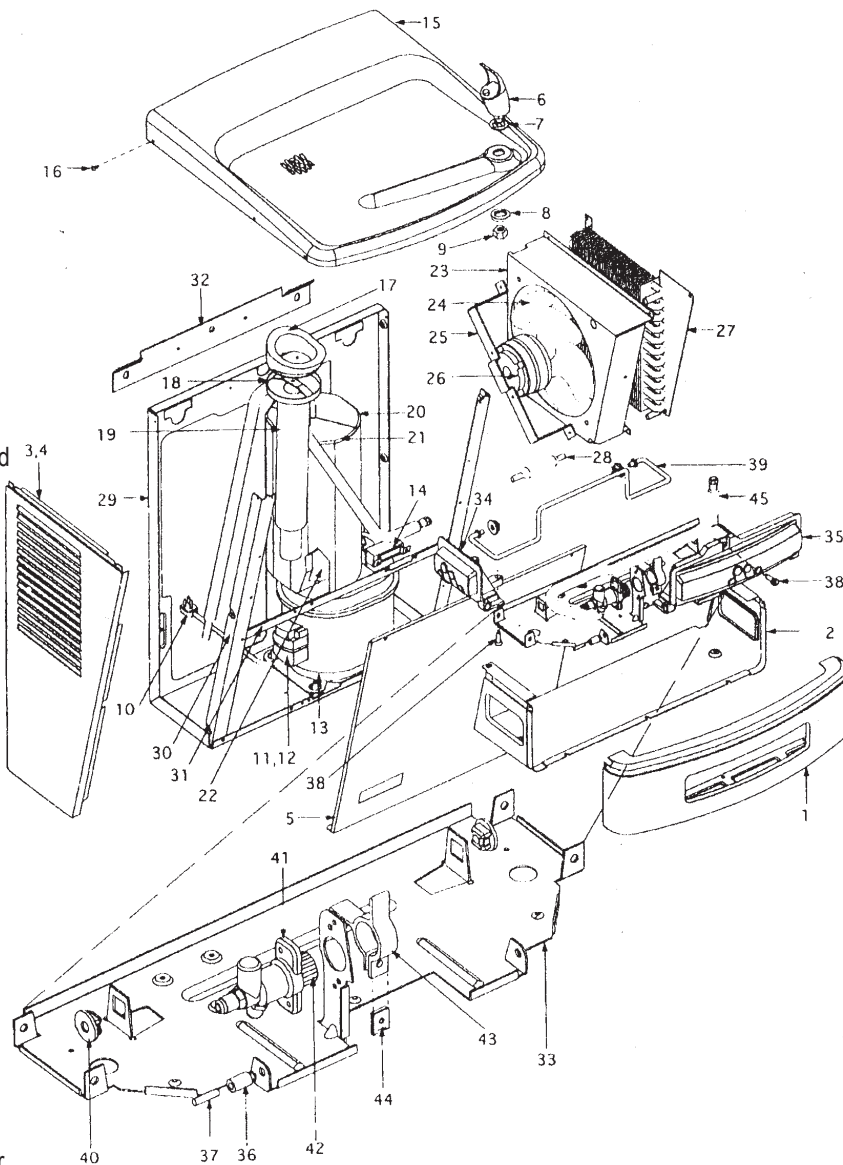
GREENVILLE
800/476-2212

LOOK FOR US ON THE WEB AT: www.TMSSouth.com

WATER COOLER & FOUNTAIN REPAIR

EBCO OASIS P8AM AND PAM

ITEM	PART #	DESCRIPTION
1		Front nose (specify color)
2		Housing (specify color)
3		Panel, side left (specify color)
4		Panel, side right (specify color)
5		Panel, front (specify color)
6	40700017	Bubbler valve
6A	40700015	Projector nozzle (not shown)
7	38288706	Gasket
8	38288707	Washer, undertop
9	38286824	Nut
10		Cord assembly, power supply
11	38281697	Overload
12	38281698	Relay
13		Compressor assembly (includes 11 & 12)
14	40700171	Cold control
15		Top
16		Screw
17	38281756	Waste gasket
18		Waste assembly, insulated
19		Insulation, waste assembly
20		Insulation, cooling tank RH
21		Insulation, cooling tank LH
22		Cooling tank assembly, insulated
23		Fan shroud
24		Fan blade
25		Fan motor bracket
26		Fan motor
27		Condenser
28		Drier, refrigerant
29		Frame, back/bottom
30		Strut, support
31		Angle, cross brace
32		Hanger bracket
33		Shelf, activation
34		Push button assembly, RH
35		Push button assembly, LH
36		Push button, front
37		Body, push rivet
38		Push rivet
39		Screw, adjust
40		Rod, activation
41	40700166	Bushing, rod
42	40700003	Valve body
43		Stem assembly
44		Wheel arm, valve
45		Clip, u-type
		Tube assembly, valve to bubbler



**TOTAL
MAINTENANCE
SOLUTIONS**

HOUSTON
800/392-5066

ORLANDO
800/327-3022

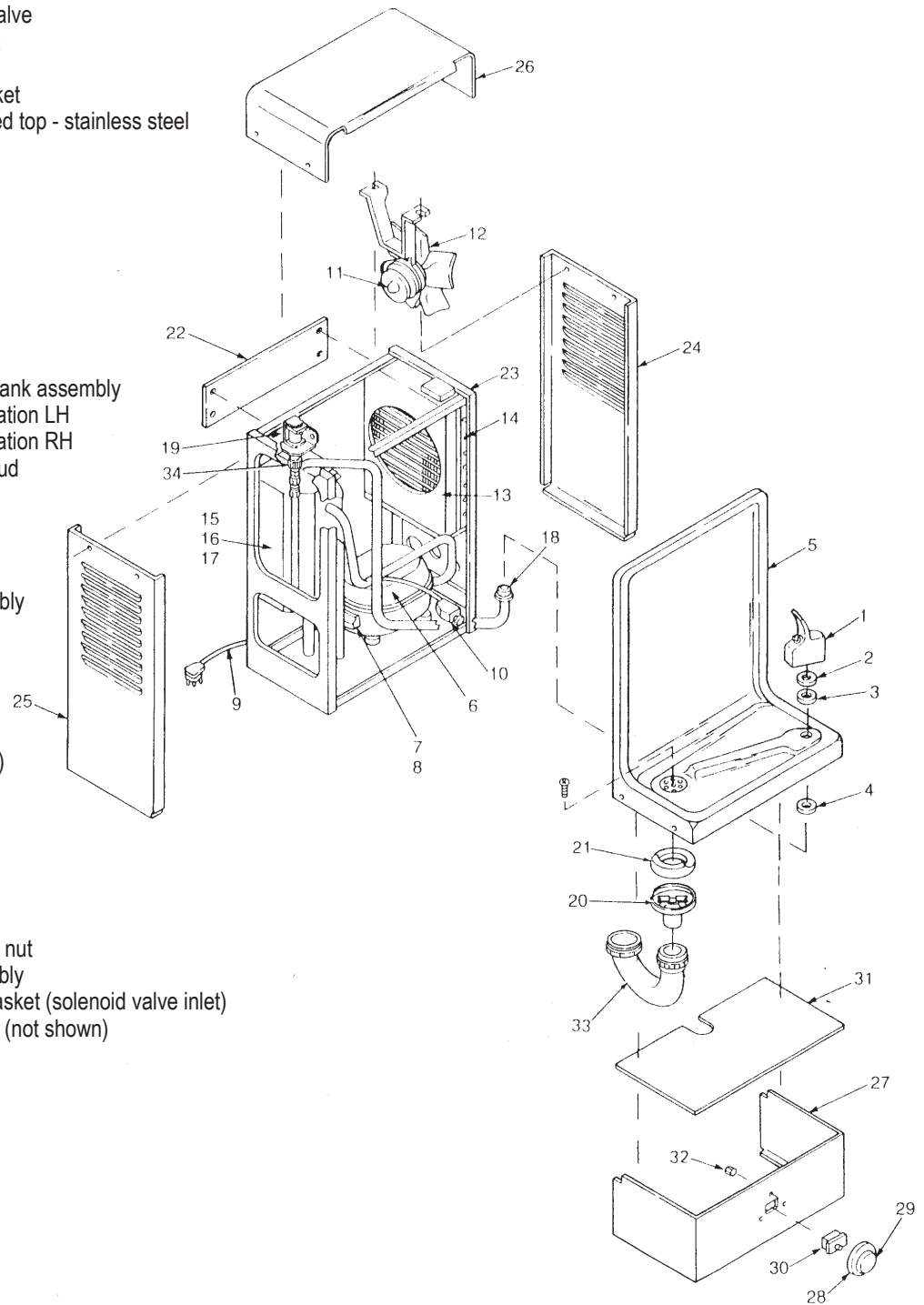
GREENVILLE
800/476-2212

LOOK FOR US ON THE WEB AT: www.TMSSouth.com

WATER COOLER & FOUNTAIN REPAIR

EBCO OASIS MODEL PLF8SKPE AND PLF8SKTP

ITEM	PART #	DESCRIPTION
1	38286663	12000A Bubbler valve
2	38288706	Valve body gasket
3	38288707	Friction washer
4	40700546	Bubbler spud gasket
5		Simulated recessed top - stainless steel
6		Compressor relay
7		Relay
8		Overload
9		Service cord
10	40700171	Cold control
11		Fan motor
12		Fan blade
13		Shroud
14		Condenser
15		Insulated cooling tank assembly
16		Cooling tank insulation LH
17		Cooling tank insulation RH
18		Bubbler supply spud
19	38281011	Solenoid valve
20		Waste assembly
21	38283247	Waste gasket
22		Hanger bracket and barrier assembly
23		Frame assembly
24		Right side panel (specify color)
25		Left side panel (specify color)
26		Cap (specify color)
27		Wrapper (specify color)
28		Bezel
29		Push button
30	38284764	Switch
31		Support plate
32		Self threading hex nut
33		Waste trap assembly
34		Male fitting with gasket (solenoid valve inlet) Male fitting gasket (not shown)



**TOTAL
MAINTENANCE
SOLUTIONS**

HOUSTON
800/392-5066

ORLANDO
800/327-3022

GREENVILLE
800/476-2212

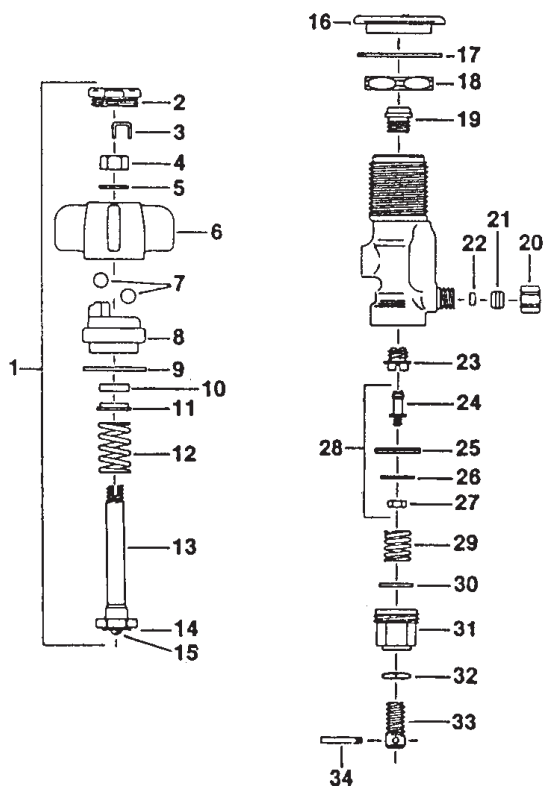
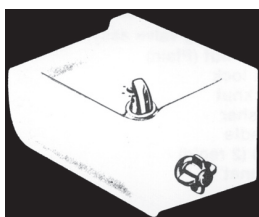
LOOK FOR US ON THE WEB AT: www.TMSSouth.com

WATER COOLER & FOUNTAIN REPAIR

ELJER FOUNTAIN BUBBLER

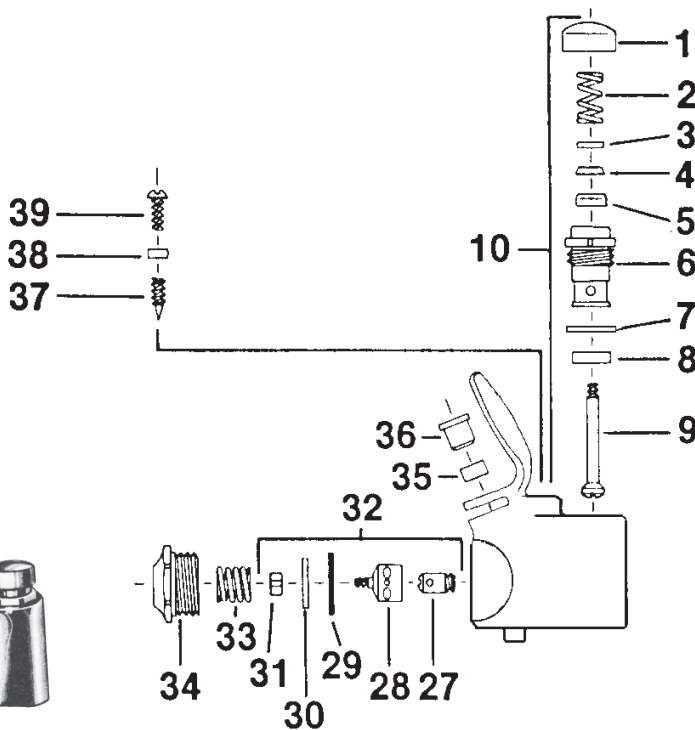
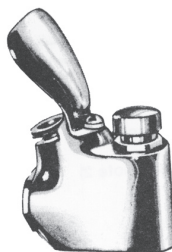
ITEM	PART #	DESCRIPTION
1	40700415	Self-closing valve assembly
2	06892073	Index nut
3	40700416	Nut lock
4	40700417	Locknut
5	40700418	Washer
6	40700419	Handle
7	40700420	Ball (2 required)
8	40700421	Bonnet
9	40700422	Gasket
10	40700423	Packing
11	40700424	Washer
12	40700425	Spring
13	40700426	Stem
14	40700427	Seat washer
15	40700428	Screw
16	40700429	Flange
17	40700430	Washer
18	40700431	Locknut
19	42000400	Seat
20	06892086	Nut
21	06892087	Sleeve
22	NLA	Orifice
23	NLA	Seat
24	NLA	Stem
25	NLA	Diaphragm

ITEM	PART #	DESCRIPTION
26	NLA	Washer
27	NLA	Locknut
28	40700432	Diaphragm assembly
29	NLA	Spring
30	40700433	Washer
31	40700434	Cap
32	NLA	Locknut
33	40700435	Screw
34	40700436	Pin



ELJER E-9408 BUBBLER

ITEM	PART #	DESCRIPTION
1	06891975	Push button
2	NLA	Spring
3	06891435	Washer
4	06891556	U-cup packing
5	06891558	Adapter
6	NLA	Cage
7	06892239	Gasket
8	06890140	Seat washer
9	06891940	Valve stem
10	NLA	Push button cage unit assy.
27-28	06891830	Nozzle & cage
29	06890160	Diaphragm
30	06891430	Washer
31	06891431	Locknut
32	06891429	Diaphragm unit
33	06891441	Spring
34	06891433	Cap CP
35-36	06891440	Baffle & nozzle
37	06891390	Regulating screw
38	06891525	Gasket
39	NLA	Screw CP



**TOTAL
MAINTENANCE
SOLUTIONS**

HOUSTON
800/392-5066

ORLANDO
800/327-3022

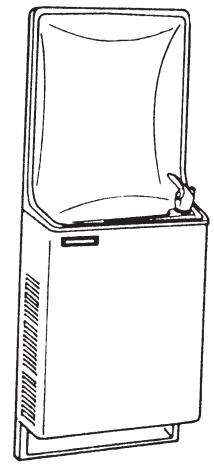
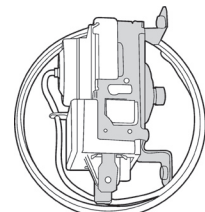
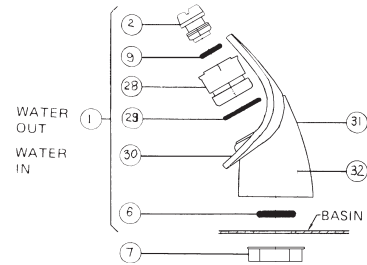
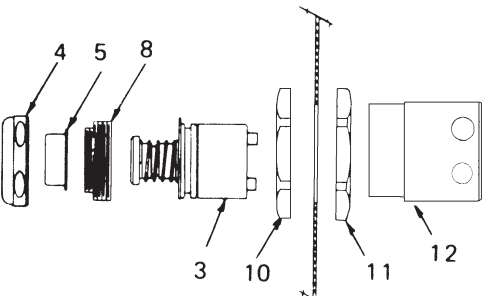
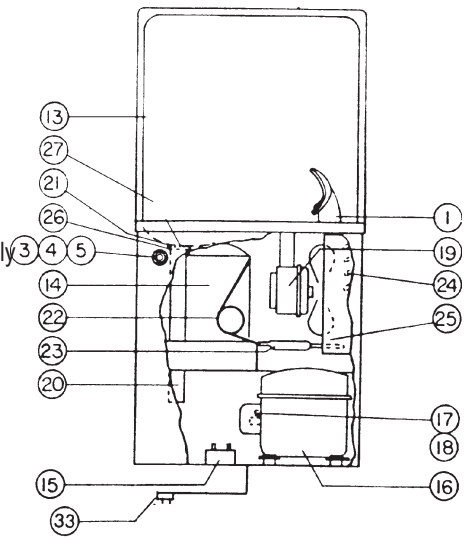
GREENVILLE
800/476-2212

LOOK FOR US ON THE WEB AT: www.TMSSouth.com

WATER COOLER & FOUNTAIN REPAIR

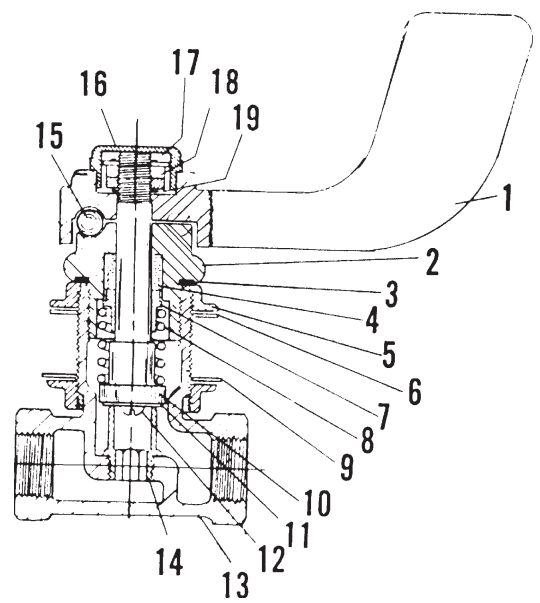
ELKAY 8 & 13 GPM WALL HUNG COOLERS

ITEM	PART #	DESCRIPTION	ITEM	PART #	DESCRIPTION
1	40700159	Bubbler assembly complete	38290544	Blade	
2	40700437	Orifice assembly	38290119	Bracket	
3	40700150	Regulator assembly	38291219	Nut fan blade	
4	40700408	Cover	38291216	Screw motor mount	
5	40700409	Button	20	38290825	Waste line
6	40700440	Bubbler O-ring	21	38290826	Waste line & pre-cooler assembly (13GPH)
7	40700038	Bubbler locknut	22	38291102	Heat exchanger assembly
8	40700441	Cartridge retainer nut	23	38291059	Drier
9	40950021	Orifice O-ring	24	38291060	Condenser
10	40700442	Ring nut	25	38290955	Shroud
11	40700443	Locknut	26	38290942	Tailpiece gasket
12	40700155	Cartridge body assembly	27	40700444	Basin strainer
13	38290252	Basin top, simulated recessed	28	38290868	Adapter
	38290132	Basin top, semi-recessed	29	38290956	O-ring
14	38291127	Evaporator foam tank assembly	30	38290965	Guard
15	40700111	Temperature control	31	38290947	Pedestal NLA
16	38290556	Compressor	32	38290853	Forging NLA
17	38290533	Relay	33	38290566	Power cord, simulated recessed
18	38290537	Overload	38290510	Power cord, semi-recessed	
19	38290618	Motor	34	38290128	Wall bracket (upper) simulated
			38290129	Wall bracket (lower) semi-recessed	



ELKAY (CORDLEY) WHEELCHAIR VALVE

ITEM	PART #	DESCRIPTION	ITEM	PART #	DESCRIPTION
	38290864	Self-closing valve with blade handle	13		Body
	38290841	Self-closing valve with lever handle	14	38290879	Renue - seat
1	38290871	Blade handle	15	38290880	Ball race
	38290877	Cross handle	16	38290881	Index cap
	38290876	Lever handle	17	38291247	Lock pin
2	38290870	Incline bonnet	18	38291249	Castle nut
3	38290958	Gasket	19	38291250	Friction washer
4	38290959	Packing			
5	38290872	Locknut			
6	38290962	Gasket - plastic			
7	38290873	Gland			
8	38291258	Spring			
9	38290963	Gasket - fibre			
10-12	38290874	Stem assembly			
11	38291245	Seat washer			
12	38291246	Seat screw			



HOUSTON
800/392-5066

ORLANDO
800/327-3022

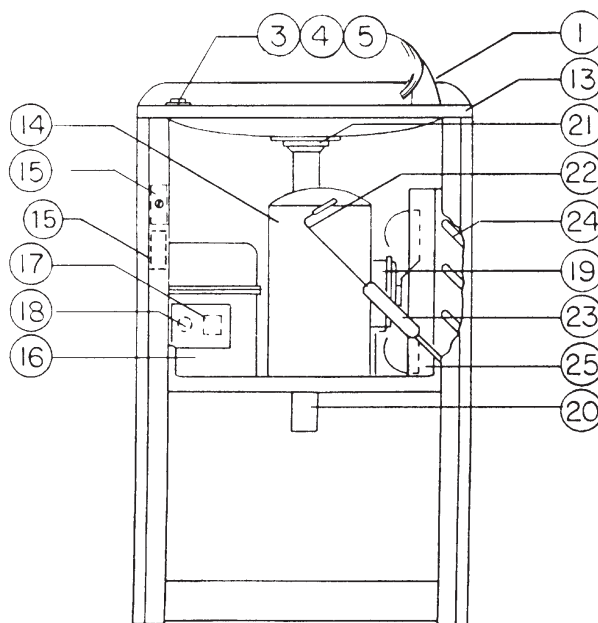
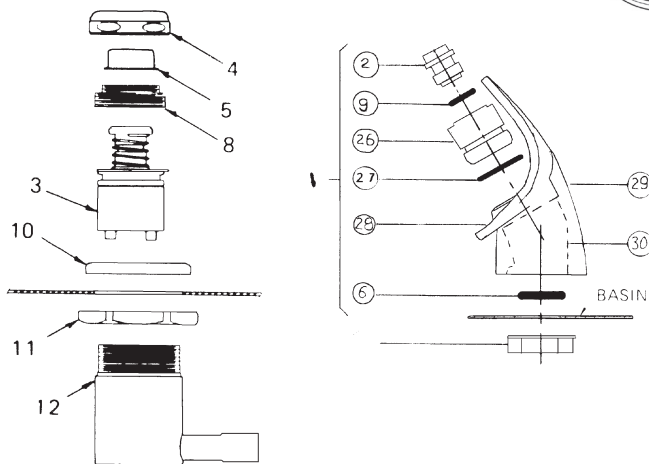
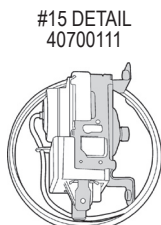
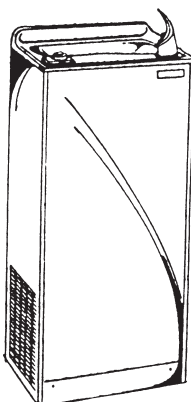
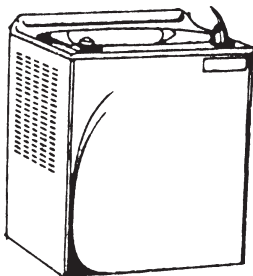
GREENVILLE
800/476-2212

LOOK FOR US ON THE WEB AT: www.TMSSouth.com

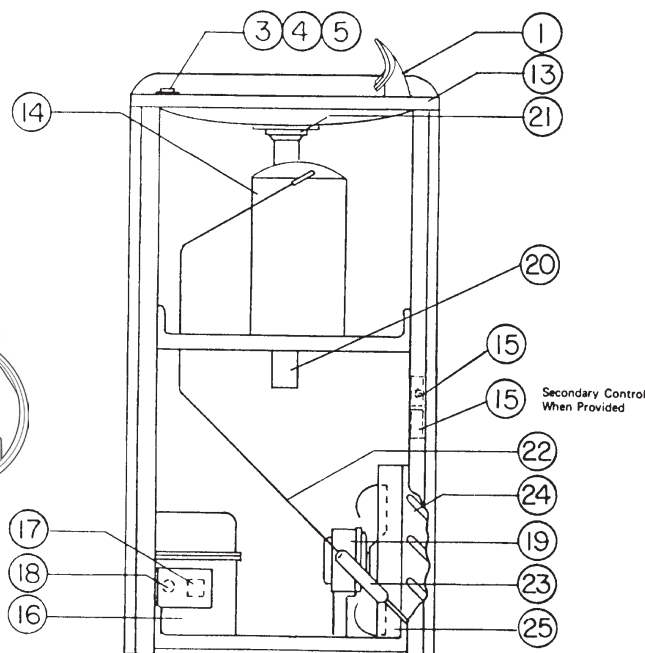
WATER COOLER & FOUNTAIN REPAIR

ELKAY (CORDLEY) WALL HUNG COOLERS ELKAY (CORDLEY) FLOOR COOLERS

ITEM	PART #	DESCRIPTION
1	40700159	Bubbler assembly complete
2	40700437	Orifice assembly
3	40700150	Regulator assembly
4	40700408	Cover
5	40700409	Button
6	40700440	Bubbler O-ring
7	40700038	Bubbler locknut
8	40700441	Cartridge retainer nut
9	40950021	Orifice O-ring
10	40700442	Ring nut
11	40700443	Locknut
12	40700155	Cartridge body assembly
12A	40700167	#12 less tubes
13	38290206	Basin top
14	38291127	Evaporator foam tank assy.
15	40700111	Water temperature control
16	38290556	Compressor
	38290557	Compressor (16 GPH cooler)
17	38290533	Relay
	38290534	Relay (16 GPH cooler)
18	38290537	Overload
	38290538	Overload (16 GPH cooler)
19	38290618	Motor
	38290618	Motor (16 GPH cooler)
	38290544	Blade
	38290545	Blade (16 GPH cooler)
	38290119	Bracket
	38291219	Nut fan blade
		Washer fan blade
	38291216	Screw motor mount
20	38290814	Waste line assembly
	38290852	Waste line & pre-cooler assy. (14 GPM)
	38280852	Waste line & pre-cooler assy. (16 GPH)
21	38290933	Waste line gasket
22	38291061	Capillary tube
23	NLA	Drier
24-25	38291210	Condenser with shroud
26	38290868	Adapter



MODELS EWCA-8, EWCA-14, EWTLA-8, EWTLA-14, EWA-16, EWTLA-16, WHB-16, WHBTL-16, WTB-16, WTBTL-16



MODELS EFA-8, EFA-8P, EFA-14, EFA-14P, EFTL-8, EFTLA-14, CWB-8, CWB-8P, CWB-14, CWB-14P, CWBTL-8, CWBTL-14, WFB-8, WFB-8P, WFB-14, WFB-14P, WFBTL-8, WFBTL-14, EFA-16, EFA-16P, EFHA-16, EFTLA-16, CWB-16, CWB-16P, CWBH-16, CWBTL-16, WFB-16, WFB-16P, WFBH-16, WFBTL-16



**TOTAL
MAINTENANCE
SOLUTIONS**

HOUSTON
800/392-5066

ORLANDO
800/327-3022

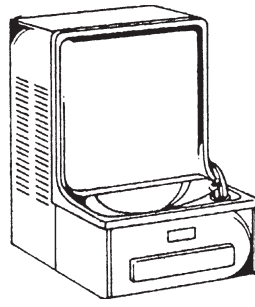
GREENVILLE
800/476-2212

LOOK FOR US ON THE WEB AT: www.TMSSouth.com

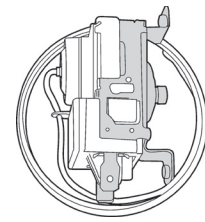
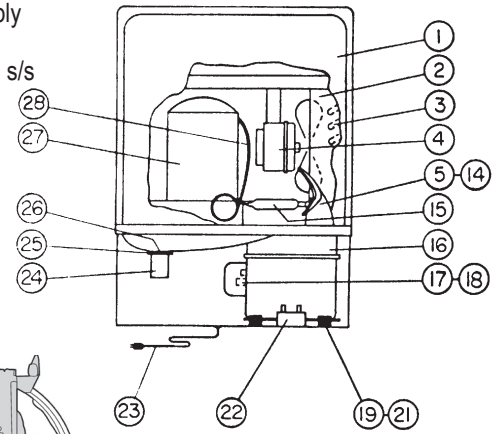
WATER COOLER & FOUNTAIN REPAIR

ELKAY (CORDLEY) WALL HUNG WHEELCHAIR LEVEL WITH PRESSBAR

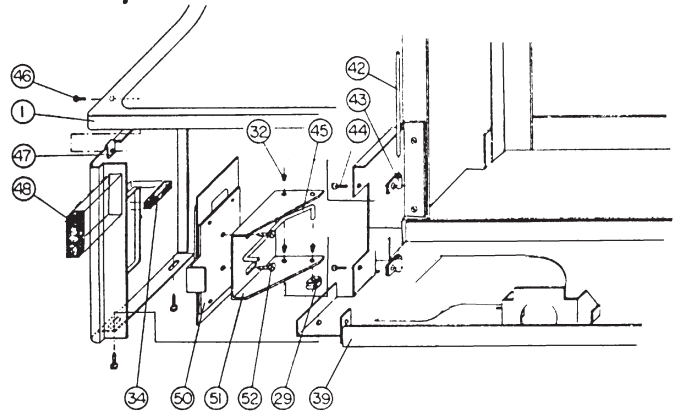
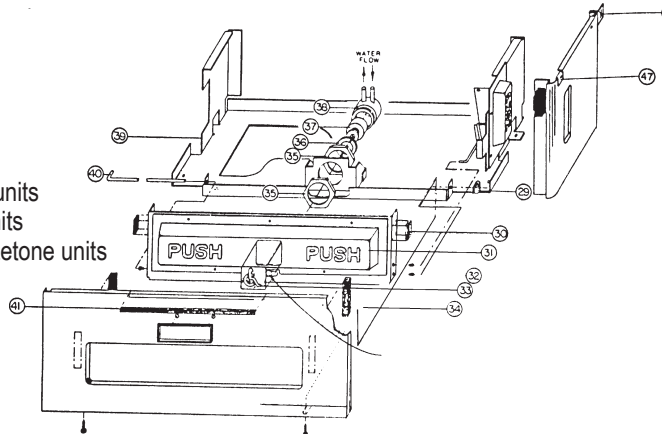
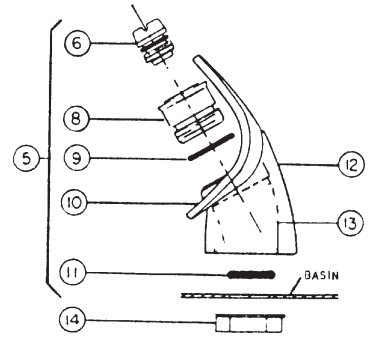
ITEM	PART #	DESCRIPTION	ITEM	PART #	DESCRIPTION
1	38290252	Basin	50		Side push bar assembly – specify right or left, type of material (vinyl, s/s or bronzetone)
2	38290955	Fan shroud	51	38290272	Side push lever
3	38291060	Condenser	52	38291214	Mounting screw
4	38290602	Fan motor			
	38290604	Fan blade			
	38290133	Bracket			
	38291219	Nut			
	38291243	Silencer – fan blade			
5	40700159	Bubbler assembly			
6	40700437	Orifice assembly			
8	38290868	Adapter			
9	38290956	Adapter o-ring			
10	38290965	Guard			
11	40700440	Bubbler o-ring			
12	38290947	Pedestal – NLA			
13	38290853	Forging – NLA			
14	40700038	Lock nut			
15	38291059	Drier			
16	38290710	Compressor			
17	38290649	Relay			
18	38290527	Overload			
19	38290944	Compressor grommet			
20					
21	38291231	Mounting pin			
22	40700111	Cold control			
23	38290566	Power cord			
24	38290851	Waste line			
25	38290941	Waste line gasket			
26	40700444	Basin strainer			
27	38291127	Evaporator tank			
28	38291102	Heat exchanger			
29	38291256	Retainer clip			
30	38290939	Push bar bumpers			
31	38290322	Front push bar assembly, vinyl units			
	38290374	Front push bar assembly, s/s units			
		Front push bar assembly, Bronzetone units			
32	38290960	Bushing			
33	38291304	Handicap emblem			
34	38290943	Panel bumpers			
35	40700443	Hex nut			
36	40700441	Retaining nut			
37	40700151	Regulator			
38	40700155	Cartridge housing assembly			
39	38290273	Base assembly			
40	38291252	Pivot rod – front			
41		Sound dampening material			
42	38291255	Pivot rod – side			
43	38291258	Mounting clip			
44	38291613	Mounting screw			
45	38291253	Linkage – right			
	38291254	Linkage – left			
46	38291220	Basin screw			
47	38291224	Basin clip			
48	38290943	Panel bumper			



MODELS EHF-8, EHFS-8,
EWCF-8, EWCFS-8,
TWCf-8, TWCFS-8



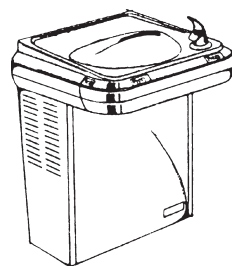
#22 DETAIL
40700111



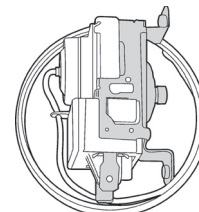
WATER COOLER & FOUNTAIN REPAIR

ELKAY (CORDLEY) WALL HUNG WHEELCHAIR LEVEL WITH PUSH BAR

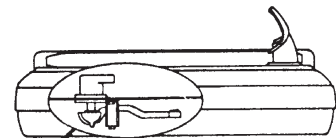
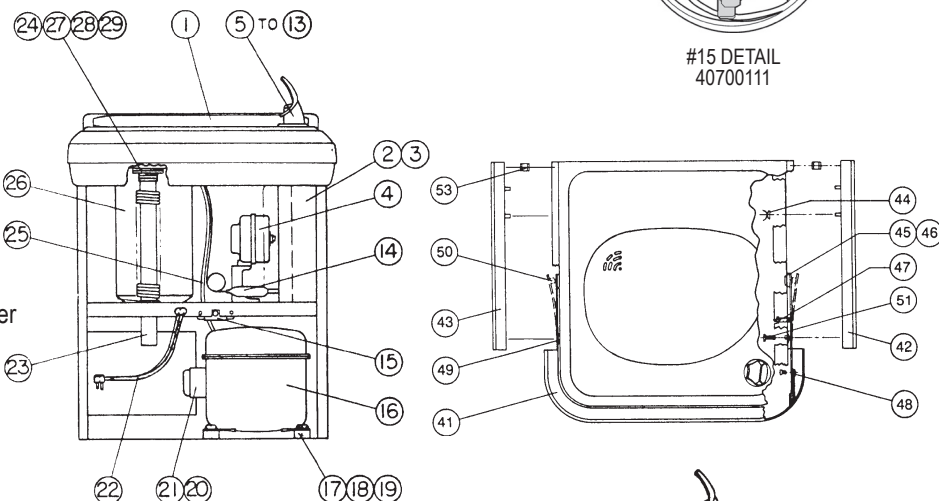
ITEM	PART #	DESCRIPTION	ITEM	PART #	DESCRIPTION
1	38290480	Basin	41		Pressbar - specify color
2	38290454	Fan shroud	42		Side bar RH - specify color
3	38291205	Condenser 4 GPH	43		Side bar LH - specify color
	38291208	Condenser 8 GPH	44	38291284	Side bar clip
4	38290602	Fan motor	45	38291043	Pivot bushing
	38290767	Fan blade	46	38291285	Pivot bushing clip
	38290120	Bracket	47	38291292	Pressbar spring
	38291219	Nut	48	38291224	Pivot bracket clip
	38291243	Silencer-fan blade	49	NLA	Bracket spacer
	38291257	Screw-motor mtg.	50	38290961	Pivot bearing
5	40700159	Bubbler assembly	51	38291613	Screw #8x 3/8
6	40700437	Orifice assembly	52	38291277	Screw # 8-32x 1-1/4
7	38290868	Adapter			
8	38290956	Adapter o-ring			
9	38290965	Guard			
10	40700440	Bubbler o-ring			
11	38290947	Pedestal - NLA			
12	38290853	Forging - NLA			
13	40700038	Lock nut			
14	38291059	Drier			
15	40700111	Cold control			
16	38290744	Compressor (4GPH)			
	38296011	Compressor (Aspera)			
	38290555	Compressor (Tecumseh)			
17	38290944	Compressor grommet			
18	38291230	Compressor mtng. washer			
19	38291231	Mounting pin			
20	38290786	Relay (4GPH)			
	38290584	Relay (Aspera)			
	38290532	Relay (Tecumseh)			
21	38290576	Overload (Aspera)			
	38290536	Overload (Tecumseh)			
22	38290566	Power cord			
23	38290929	Precooler assembly (4GPH)			
	38290923	Precooler assembly			
24	38291042	Precooler bushing			
25	38291122	Heat exchanger (4GPH)			
	38291207	Heat exchanger			
26	38291127	Evaporator assembly (4GPH)			
	38291180	Evaporator assembly			
27	38291040	Drain gasket			
28	38291041	Drain ring support			
29	38291295	Drain gasket clamp			
30	38290182	Wall bracket			
	38291067	Water inlet screen (not shown)			
31	38290887	Regulator holder			
32	38290912	Hex nut			
33	40700160	Regulator			
34	40700441	Retaining nut, O/S brass			
35	38291037	Lever bearing			
36	38291034	Regulator lever			
37	38291290	Lock nut			
38	38291036	Guide pivot			
39	38291291	Lever adjusting spring			
40	38291035	Bracket pivot			



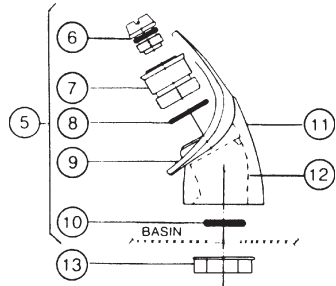
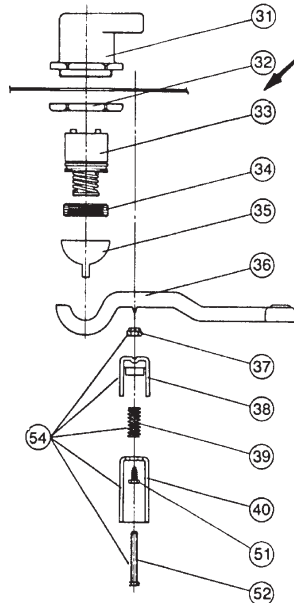
MODELS
EBFS-4,
EBFS-8,
CBFS-4,
CBFS-8,
TBFS-4,
TBFS-8



#15 DETAIL
40700111



PRESSBAR ADJUSTMENT
STREAM HEIGHT ADJUSTMENT



HOUSTON **ORLANDO** **GREENVILLE**
 800/392-5066 800/327-3022 800/476-2212
 LOOK FOR US ON THE WEB AT: www.TMSSouth.com

WATER COOLER & FOUNTAIN REPAIR

ELKAY MODELS EHFA8*1F, EHFA8*1F, EHFA8R*1F AND EHFA8*3FJO

ITEM	PART #	DESCRIPTION
1		Panel, bottom dispenser
2	38290964	Block, pivot
3		Nut, self threading
4		Bracket, side push
5		Panel, right side
6		Panel, left side
7		Panel, front push
8		Pushbar, side (specify color)
9		Pushbar, front (specify color)
10		Bracket, front push
11		Screw
12	38290961	Rivet, drive type
13	38291667	Bumper, press bar
14	40700443	Hex nut
15		Bracket, regulator mounting
16	40700174	Retaining nut
17	40700151	Regulator
18	38000895	Holder, regulator
19		Shoulder screw
20		Screw, regulator bracket mounting
21		Wrapper
22		Power cord
23		Fan bracket
24		Fan blade
25		Hex nut, fan blade
26		Fan motor
27		Screw, fan motor
28		Shroud, fan
29		Clip, front and rear panels
30	38296023	Bubbler assembly
31	38290322	Orifice assembly
32		Pedestal
33		Housing assembly
34	38295580	Locknut
35		Condenser
36		Drier
37		Grommet, compressor mounting
38		Hair-pin cotter
39		Washer
40		Compressor Serv. Pak
41	38296158	Overload
42		Cover, relay
43	38295959	Relay
44		Heat exchanger
45		Tailpipe
46		Strainer assembly
47		Gasket, tailpipe
48		Basin, stainless steel
49		Screw, basin mounting
50	40700111	Cold control
51		Evaporator assembly
52		Strainer
53		Angle, bracket corner
54		Bracket, front support
55		Bracket, basing mounting
56		Frame, back/bottom
57		Hanger bracket
58		Hanger bracket
59		Tubing, poly (cut to length)

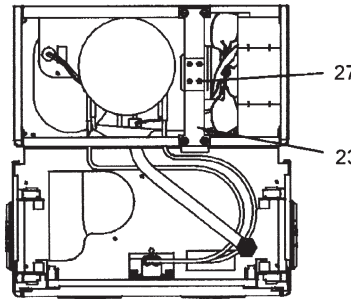


FIGURE 1

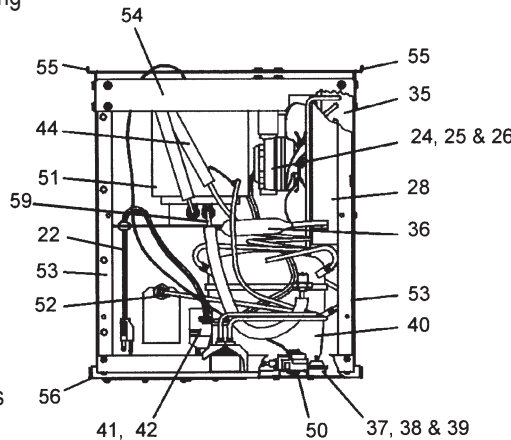


FIGURE 2

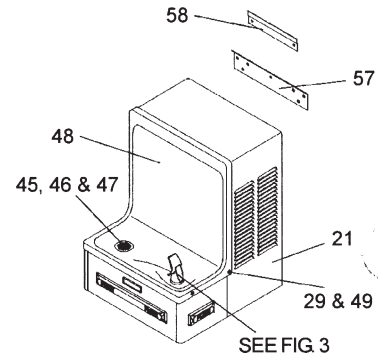
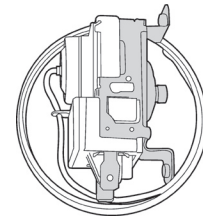
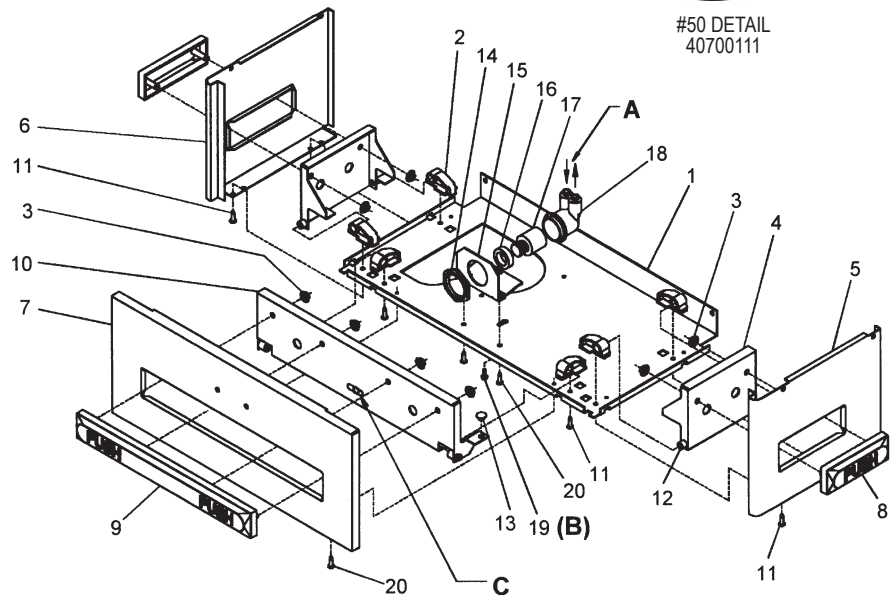


FIGURE 3



#50 DETAIL
40700111



**TOTAL
MAINTENANCE
SOLUTIONS**

HOUSTON
800/392-5066

ORLANDO
800/327-3022

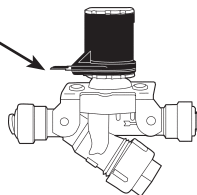
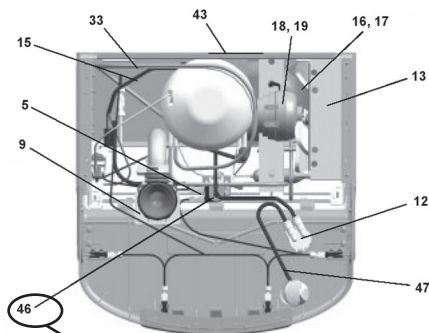
GREENVILLE
800/476-2212

LOOK FOR US ON THE WEB AT: www.TMSSouth.com

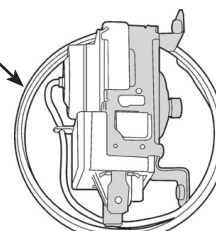
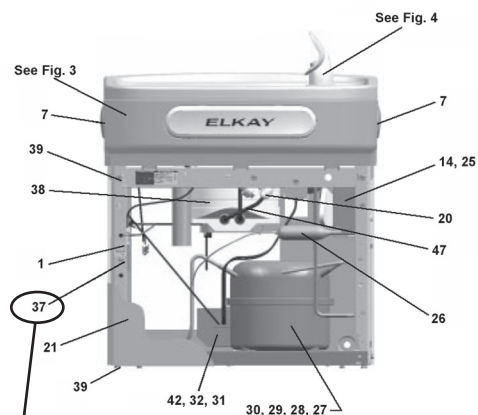
WATER COOLER & FOUNTAIN REPAIR

ELKAY EZ™ & LZ™ BARRIER-FREE WATER COOLERS

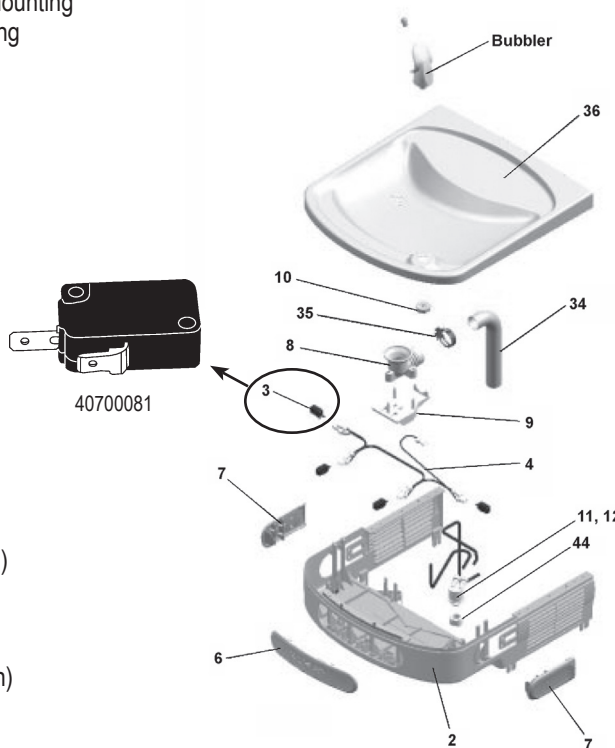
ITEM	PART #	DESCRIPTION
1		Screw
2		Shroud, upper
3	40700081	Electrical switch
4		Wiring harness (front side push)
		Wiring harness (front push)
5		Wire Jumper
6	38295999	Pushbar, front
7	38296002	Pushbar, side
8		Drain fitting
9		Drain adapter
10	38295580	Nut lock
11	40700151	Regulator
12	40700167	Regulator holder
13		Shroud, fan top
14		Shroud, fan bottom
15		Power cord
16		Fan blade
17		Hex nut, fan blade
18		Fan motor
19		Fan motor screw
20		John Guest elbow
21		Wrapper (specify color)
22	38290319	Fitting, orifice
23	38290171	O-ring
24	38290314	Orifice flow straightener
25		Condenser
26		Drier
27		Stud, compressor mounting
28		Grommet, compressor mounting
29		Clip, compressor mounting
30		Compressor Serv. Pak
31	38296084	Relay
32		Cover, relay
33		Heat exchanger
34		Drain tube
35		Clamp, drain
36		Basin, stainless steel
37	40700111	Cold control
38		Evaporator assembly
39		Screw
40		Housing assembly
41		Pedestal
42	38296158	Overload
43		Hanger bracket
44	38296082	Regulator nut
45	40700037	Bubbler assembly
46	40700078	Solenoid valve
47		Poly tubing (cut to length)
48		Gasket
49		Bubbler body
50		Bubbler nipple
		Water filter kit (not shown)



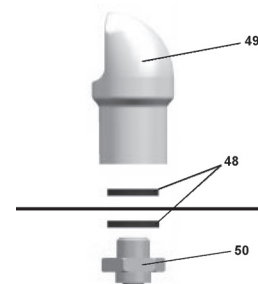
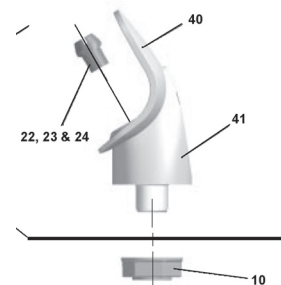
40700078



40700111



40700081



**TOTAL
MAINTENANCE
SOLUTIONS**

HOUSTON
800/392-5066

ORLANDO
800/327-3022

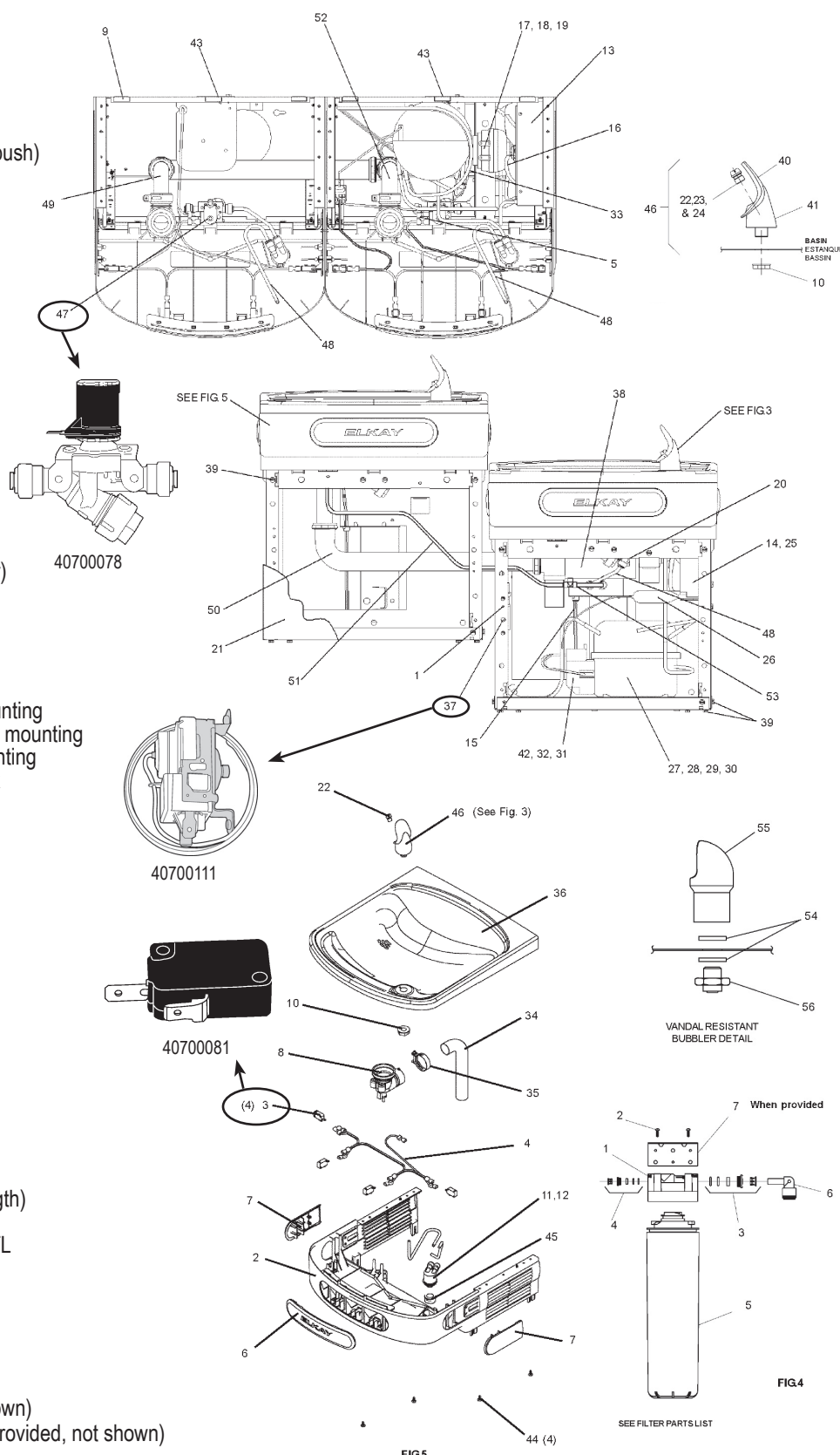
GREENVILLE
800/476-2212

LOOK FOR US ON THE WEB AT: www.TMSSouth.com

WATER COOLER & FOUNTAIN REPAIR

ELKAY EZTL™ AND LZTL™ SERIES BARRIER-FREE WATER COOLERS

ITEM	PART #	DESCRIPTION
1		Screw
2		Shroud
3	40700081	Switch
4		Wiring harness (front side push)
		Wiring harness (front push)
5		Wire jumper
6	38295999	Pushbar, front
7	38296002	Pushbar, side
8		Drain
9		Bumper, press bar
10	38295580	Locknut
11	40700151	Regulator
12	40700167	Holder, regulator
13		Shroud, fan top
14		Shroud, fan bottom
15		Power cord
		Power cord L/refrig
16		Fan blade
17		Hex nut, fan blade
18		Fan motor
19		Screw, fan motor
20		John Guest elbow
21		Wrapper (specify color)
22	38290319	Fitting, orifice
23	38290121	O-ring
24	38290314	Flow straightener
25		Condenser
26		Drier
27		Stud, compressor mounting
28		Grommet, compressor mounting
29		Clip, compressor mounting
30		Compressor Serv. Pak
31	38296084	Relay
32		Cover, relay
33		Heat exchanger
34		Drain tube
35		Drain clamp
36	40700111	Basin, stainless steel
37		Cold control
38		Evaporator assembly
39		Screw
40		Housing assembly
41		Pedestal
42	38296158	Overload
43		Hanger bracket
44		Screw
45	38296082	Regulator nut
46	40700037	Bubbler assembly
47	40700078	Solenoid valve
48		Poly tubing (cut to length)
49		Drain tube
50		Waste line assembly TL
51		Tube - L/refrig to TL
52		Tube - drain EZTL
53		Tee
54		Gasket
55		Bubbler body
56		Bubbler nipple
		Wrapper, filler (not shown)
		Water filter kit (when provided, not shown)



HOUSTON 800/392-5066 **ORLANDO** 800/327-3022 **GREENVILLE** 800/476-2212
 LOOK FOR US ON THE WEB AT: www.TMSSouth.com

WATER COOLER & FOUNTAIN REPAIR

CENTRAL BRASS

Bubbler head, 3/8" FIP less flange. CP brass.
PART # 40100181
1/2" FIP
PART # 40100179



Bubbler head with flange.
PART # 40101180

Drinking faucet, lever handle self-closing valve with replaceable seat. 3/8" FIP.



PART # 40100162

Drinking faucet, lever handle self-closing valve with replaceable seat. 1/2" MIP shank.



PART # 40100037

HALSEY TAYLOR SELF-CLOSING STOPS

Self-closing, cross-handle stop, removable chrome-plated brass shutoff seat. 1/4" IPS. Exposed parts chrome-plated.



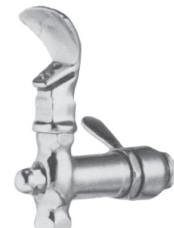
PART # 40700154

Push button stem assembly interchangeable with any stem assembly. Chrome-plated brass. Can replace 38853088 or 38851006



PART # 40700157
Repair Kit PART # 40700453

Self-closing lever handle stop. Removable shutoff seat. Volume regulator. 3/8" IPS supply.



PART # 38852660

Self-closing, push button stem assembly. Exposed parts chrome-plated.



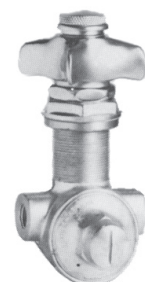
PART # 40700454

Lever handle self-closing stop with tailpiece. Removable shutoff seat. Volume regulator. 3" center distance. 1/4" IPS



PART # 40700455

Self-closing, lever-handle stop, integral automatic stream regulator, removable chrome plated brass shutoff seat. 1/4" IPS. Exposed parts chrome-plated.



PART # 38853165

Lever handle stem assembly interchangeable with cross-handle on all stops. Chrome-plated brass.



PART # 40700456
Same as above with vandal-resistant lever handle.
PART # 38853219

Lever-handle stop, integral automatic stream regulator. Removable chrome-plated brass shutoff seat, 3/8" IPS chrome-plated.



PART # 38853108

Did You Know?

43% of the world's population lacks indoor plumbing?

HALSEY TAYLOR FOUNTAIN HEADS AND GLASS FILLERS

Automatic stream regulator; heavy brass; valve diaphragm type. Regulator maintains uniform height of drinking stream under varying pressures (20 to 90 psi). 1/4" IPS.



PART # 40700457
PART # 40700114 Plastic valve

Glass filler faucet; goose-neck push button type; screwdriver regulator; H-9-5/8" width overall 5"; 3/8" IPS.



PART # 40451004
Economy glass filler
PART # 40681195

40150327
Glass Filler
Pedestal type, cast brass body, 1/2" MIP shank.



TOTAL MAINTENANCE SOLUTIONS

HOUSTON
800/392-5066

ORLANDO
800/327-3022

GREENVILLE
800/476-2212

LOOK FOR US ON THE WEB AT: www.TMSSouth.com

WATER COOLER & FOUNTAIN REPAIR

KOHLER FOUNTAINS

Kohler combination lavatory faucet with self-closing valve for bubbler, flow regulator.

PART # 40007520



Dual-Action bubbler. Can be push button operated or connected to a foot pedal. 3/8" FIP.

PART # 38872022



Kohler bubbler with push button self-closing valve, flow regulator.

PART # 40007524



CENTRAL BRASS FOUNTAINS

Wall mounted drinking fountain, with stainless steel bowl and lever handle with self-closing valve. Comes with wall mounting bracket.

PART # 40100166



HALSEY TAYLOR FOUNTAIN HEADS AND PROJECTORS

3/8" IPS supply cross-handle self-closing stop.

- Single stream regulator
- 8Wx5Dx2H S/S receptor
- Volume regulator

PART # 38852640

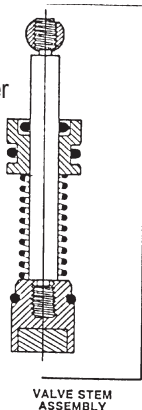


UNIVERSAL HOT WATER VALVE & STEM ASSEMBLY #2

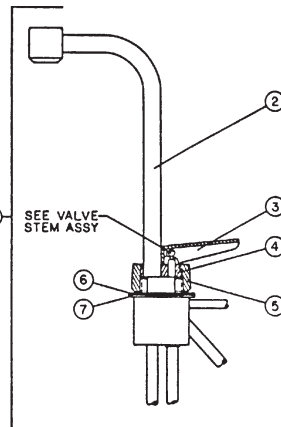
ITEM	PART #	DESCRIPTION
1	38870252	Hot water dispenser valve assy.
4	38870004	Handle
5		Cover body
11	38877012	Valve stem assembly

UNIVERSAL HOT WATER VALVES AND STEM ASSEMBLY #1

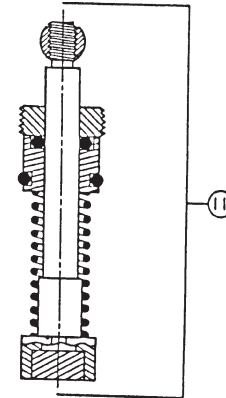
ITEM	PART #	DESCRIPTION
1	38870100	Hot water dispenser valve assy.
2	38872007	Gooseneck assembly
3	38877068	Handle assembly
4	38870102	Cap
5	38870115	Body nut
6		Body gasket
7		Washer
8	38877036	Valve stem assembly



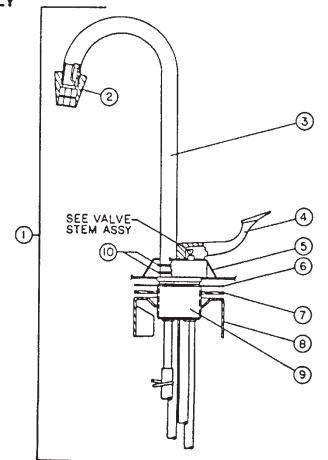
VALVE STEM ASSEMBLY



SEE VALVE STEM ASSY



VALVE STEM ASSEMBLY



Did You Know?

Water is a bargain in the US
 (The average price is
 \$1.50 for 1000 gallons -
 or less than 1¢ per gallon.)



**TOTAL
 MAINTENANCE
 SOLUTIONS**

HOUSTON
 800/392-5066

ORLANDO
 800/327-3022

GREENVILLE
 800/476-2212

LOOK FOR US ON THE WEB AT: www.TMSSouth.com

WATER COOLER & FOUNTAIN REPAIR

HALSEY TAYLOR

MODEL	COMPRESSOR										COMBINATION STOP & STREAM REGULATOR				TEMP. CONTROL			PRIM. SEC. PUSH BUTTON ASSEMBLY												
	38853584	38853591	38854465	38854466	38854467	38854469	38854470	38854471	38853439	38854379	38853335	38854475	38853378	38853818	40700142	40700143	38851353	38854167	40700494	40700476	40700172	38851063	38851095	40700125	38853738	38854056	40700126	38854351	38872002	40700157
RWM8	•													•						•										
RWM13	•													•						•										
HBW8	•													•						•										
HBW13	•													•						•										
AFTER JUNE 1979	WM8A-1		•											•						•										
	WM14A-1			•										•						•										
	WM16A-1				•									•						•										
	WM20A-1													•						•										
BEFORE 1978	WM8A	•												•						•										
	WM14A	•												•						•										
	WM16A													•						•										
	WM20A	•												•						•										
	BFC7F													•						•										
	WC7A-1	•												•						•										
	SCWT4													•						•										
	SCWT8			•										•						•										
	SCWT14				•									•						•										
	WT8 & WT15	•												•						•										
	WT16 & WT20													•						•										
	SC8,14 & 16W	•												•						•										
	SC16													•						•										
	SC20		•											•						•										
BEFORE 1979	RC8/12	•												•					•											
	SW4A & 6A													•						•										
	SW8A & 13A	•												•						•										
AFTER 1979	SW4A & 8A-1			•										•						•										
	SW6A-1													•						•										
	SW14A				•									•						•										
	SW16A					•								•						•										
AFTER 1981	S3D													•						•										
	S5D													•						•										
	S10D													•						•										
BEFORE 1981	S3C													•						•										
	S5C													•						•										
	S10C													•						•										

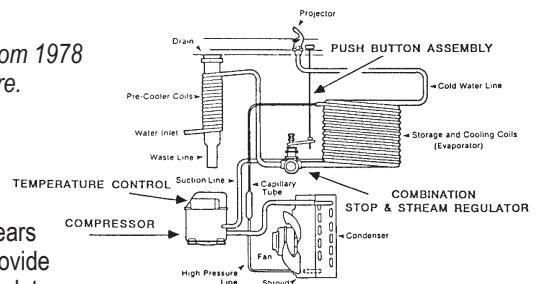
HALSEY TAYLOR MAJOR COMPONENTS BY MODEL NUMBER

Refer to serial number to obtain date of manufacture. For water coolers manufactured from 1978 forward refer to the last two digits of the serial number which indicate date of manufacture.

LETTER	NUMBER
A-January	8- 1987
B-February	9- 1979
C-March	0- 1980
D-April	1- 1981
E-May	2- 1982
F-June	3- 1983
G-July	4- 1984
H-August	5- 1985
J-September	6- 1986
K-October	7- 1987

LETTER	NUMBER
L-November	8- 1988 (A8-E8)
M-December	88- 1988 (F88-M88)

Note: "I" was used for September for 2 years
For water coolers before 1978, please provide your serial number and we will determine date of manufacture.



TOTAL MAINTENANCE SOLUTIONS

HOUSTON
800/392-5066

ORLANDO
800/327-3022

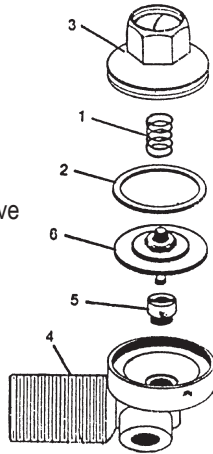
GREENVILLE
800/476-2212

LOOK FOR US ON THE WEB AT: www.TMSSouth.com

WATER COOLER & FOUNTAIN REPAIR

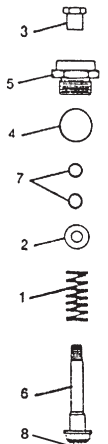
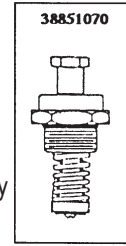
HALSEY TAYLOR VALVE STEM ASSEMBLY

ITEM	PART #	DESCRIPTION
1		Spring
2		Thrust ring
3	40700137	Front cap assembly
4	40700114	Left hand or right hand valve body, plastic
5		Regulator bushing
6	40700112	Diaphragm assembly
1-6	40700115	Complete left hand valve body assembly
1-6	40700116	Complete right hand valve body assembly
		Repair kit – contains items 1,2,5 & 6



HALSEY TAYLOR VALVE STEM ASSEMBLY

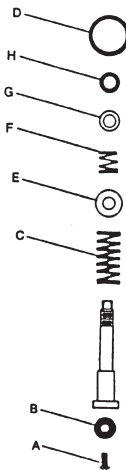
ITEM	PART #	DESCRIPTION
1	40700459	Valve spring
2	40700122	Washer
3	40700118	Bushing
4	40950053	Large o-ring
5		Seal cap
6	40700124	Valve stem assembly
7	40700460	Small o-ring
	40700140	Stem repair kit – contains 1,2,7 plus seat washer screw, seat washer brass seat, 1133 spring, locknut, 1134 washer and 460 gasket.
	40700141	Complete stem assembly
8	40110136	Seat washer (not shown)



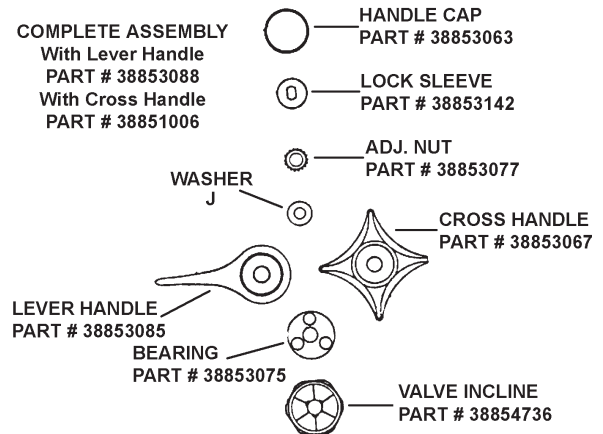
HALSEY TAYLOR SELF-CLOSING STEM

ITEM	PART #	DESCRIPTION
A	50100011	Screw
B	40110162	Seat Washer
C	40700459	Valve Spring
D	40700462	Gasket
E	40700463	Washer
F	40700464	Packing Spring
G	40700465	Washer
H	38854734	O-Ring (2 required)
J	40700122	Washer
K	38851038	Renewable Seat
L	40950053	Large O-Ring
M	41001068	Small O-Ring
	40700140	Stem assembly repair kit.

Note: Parts shown are for bright chrome



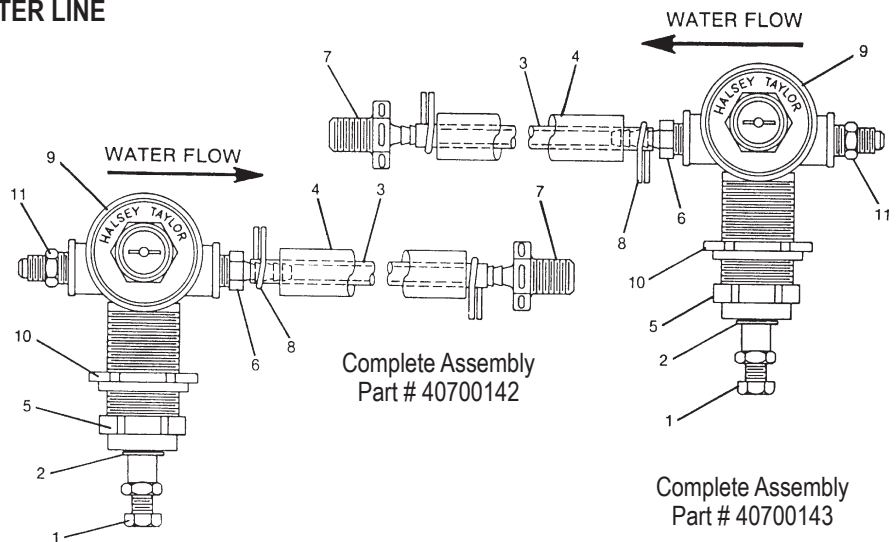
COMPLETE ASSEMBLY
With Lever Handle
PART # 38853088
With Cross Handle
PART # 38851006



HALSEY TAYLOR UNIVERSAL COLD WATER LINE

ITEM	PART #	DESCRIPTION
1		Screw
2	40700122	Washer
3		Tube (21" long)
4		Armaflex (21" long)
5	40700141	Stem assembly
6		Hose coupling
7	40700128	Projector nipple
8	40700131	Hose clamp
9		Valve body assembly
10		Valve nut
11		Male connector
*	40700136	Projector gasket

* Not Shown



HOUSTON
800/392-5066

ORLANDO
800/327-3022

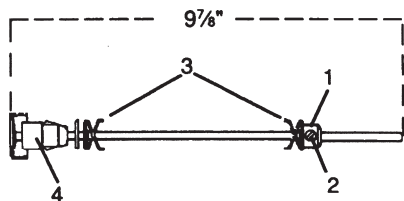
GREENVILLE
800/476-2212

LOOK FOR US ON THE WEB AT: www.TMSSouth.com

WATER COOLER & FOUNTAIN REPAIR

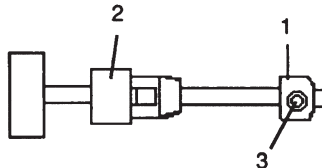
HALSEY TAYLOR PUSH BUTTON STEM ASSEMBLY #1

ITEM	PART #	DESCRIPTION
1	40700466	Adjusting collar
2	38850695	Set screw
3	38853359	Speed clip (2 needed)
4	38858137	Snap in bushing
	40700126	Complete assembly



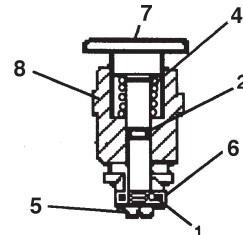
HALSEY TAYLOR PUSH BUTTON STEM ASSEMBLY #3

ITEM	PART #	DESCRIPTION
1	40700466	Adjusting collar
2	38858137	Snap in bushing
3	38850695	Set screw
	38853738	Complete assembly



HALSEY TAYLOR PUSH BUTTON ASSEMBLY #1

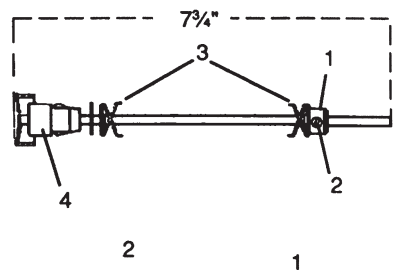
ITEM	PART #	DESCRIPTION
1		Seat washer
2		O-ring
3		Sleeve washer (not shown)
4		Valve spring
5		Seat washer screw
6		Retaining cup
7		Push button stem
8		Valve sleeve



COMPLETE ASSEMBLY
PART #
38851086

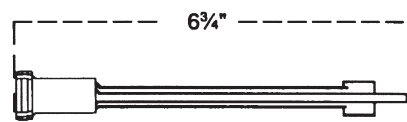
HALSEY TAYLOR PUSH BUTTON STEM ASSEMBLY #2

ITEM	PART #	DESCRIPTION
1	40700466	Adjusting collar
2	38850695	Set screw
3	38853359	Speed clip (2 needed)
4	38858137	Snap in bushing
	40700125	Complete assembly



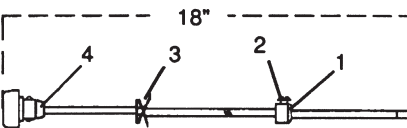
HALSEY TAYLOR PUSH BUTTON STEM ASSEMBLY #4

ITEM	PART #	DESCRIPTION
	40700127	Complete assembly



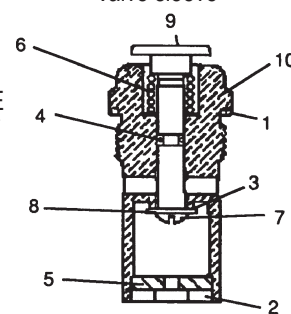
HALSEY TAYLOR PUSH BUTTON STEM ASSEMBLY #5

ITEM	PART #	DESCRIPTION
1	40700466	Adjusting collar
2	38850695	Set screw
3	38853359	Speed clip (2 needed)
4	38858137	Snap in bushing
	40700125	Complete assembly



HALSEY TAYLOR PUSH BUTTON ASSEMBLY #2

ITEM	PART #	DESCRIPTION
1		Gasket
2		Sleeve seat washer
3		Seat washer
4		O-ring
5		Sleeve washer
6		Valve spring
7		Seat washer screw
8		Retaining cup
9		Push button stem
10		Valve sleeve



COMPLETE ASSEMBLY
PART #
40700157

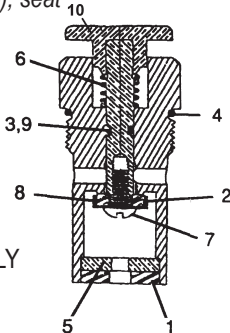
HALSEY TAYLOR PUSH BUTTON ASSEMBLY #3

ITEM	PART #	DESCRIPTION
1		Sleeve seat washer
2		Seat washer
3		O-ring
4		O-ring
5		Sleeve washer
6		Valve spring
7		Seat washer screw
8		Retaining cup
9		Valve sleeve
10		Push button stem
11		Stem repair kit (see illustration at right)

HALSEY TAYLOR VALVE SEAL REPAIR KIT
Includes sleeve seat washer (1), seat washer (2), o-rings (3, 4), sleeve washer (5), spring valve (6), seat washer screw (7), retaining cup (8) and lubricant (9).

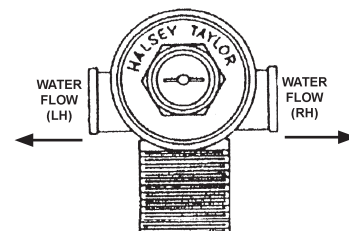
PART # 38858240

COMPLETE ASSEMBLY
PART # 38854351



HALSEY TAYLOR COLD WATER SUPPLY LINE ASSEMBLIES (PLASTIC)

Water flow (RH) PART # 40700116
Water flow (LH) PART # 40700115



TOTAL MAINTENANCE SOLUTIONS

HOUSTON
800/392-5066

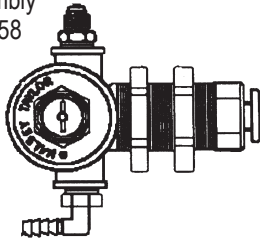
ORLANDO
800/327-3022

GREENVILLE
800/476-2212

LOOK FOR US ON THE WEB AT: www.TMSSouth.com

WATER COOLER & FOUNTAIN REPAIR

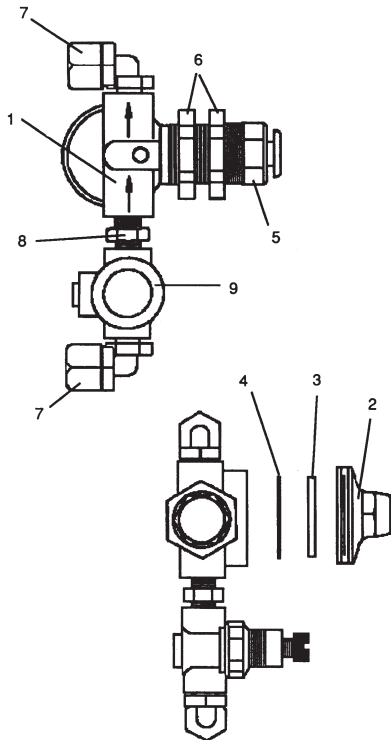
HALSEY TAYLOR BFC REPLACEMENT VALVE ASSEMBLY MODEL 15172
 REPLACES VALVE SHOWN
 Complete assembly
 PART # 40700158



HALSEY TAYLOR BFC VALVE ASSEMBLY MODEL 42278

ITEM	PART #	DESCRIPTION
1		Valve body
2	38851069	Valve cap
3	*	Retainer
4	*	Diaphragm
5	40700157	Push button stem assembly
6		Lock nut (2 each)
7		Elbow (2 each)
8		Male connector
9	38852297	Watts regulator

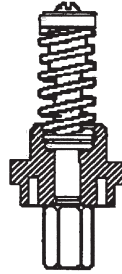
Complete assembly
 PART # 40700176



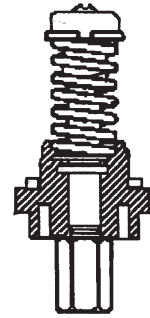
HALSEY TAYLOR VALVE STEM ASSEMBLY #1
 Complete stem assembly (brass)
 PART # 38851064



HALSEY TAYLOR VALVE STEM ASSEMBLY #3
 Complete stem assembly (brass)
 PART # 38854166



HALSEY TAYLOR VALVE STEM ASSEMBLY #2
 Complete stem assembly (plastic)
 PART # 40700141



HALSEY TAYLOR HTV VANDAL-RESISTANT KIT FOR VOYAGER WATER COOLERS



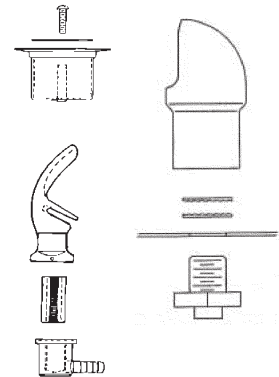
This kit will modify HTV Series units to make them more tamper-resistant by replacing the standard bubbler with our Vandal-Resistant Bubbler. One-piece design integrated orifice. Will fit all Halsey Taylor Voyager™ models.

- Kit consists of:
- Chrome-plated heavy duty unleaded brass Vandal-Resistant Bubbler
 - 2 VR lock washers
 - 1 Bubbler nipple
 - 2 Vandal-resistant screws
 - 1 Drive bit
 - Installation instructions
- PART # 38857933

VANDAL PROOF RETRO KIT
 PART # 38857050

How to vandal proof your existing Halsey Taylor Cooler:

1. Remove snap-in strainer from unit and replace existing drain plug with vandal proof drain plug. Replace strainer and secure cap screw.
2. Remove projector from unit, if unit is equipped with a plastic projector nipple (see step 3), if not replace with vandal proof projector and tighten set screw at bottom of projector.
3. Remove front panel from unit, if necessary, and disconnect water tubing from plastic projector nipple. Replace with brass connection and square projector nipple. Re-connect vandal proof projector and tighten set screw.



HALSEY TAYLOR UNIVERSAL GLASS FILLER ASSEMBLY KIT

Kit containing all pieces necessary for field installation attachment of glass filler into the openings on all glass filler accessible Halsey Taylor units. For HAC, WM, SW, SCWT, XP and S series units.

- Kit consists of:
- Gooseneck glass filler and lever
 - 1/4" tube connector
 - Gasket
 - Bubbler nipple
 - 1/4" poly tube
 - 1/4" tee tube connector
 - Instruction manual

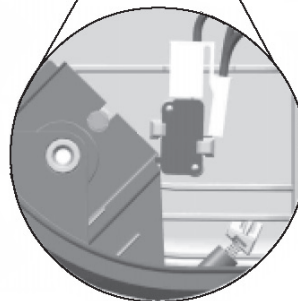
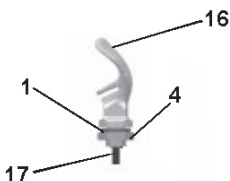
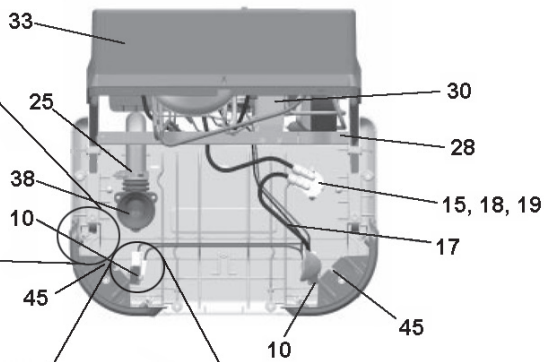
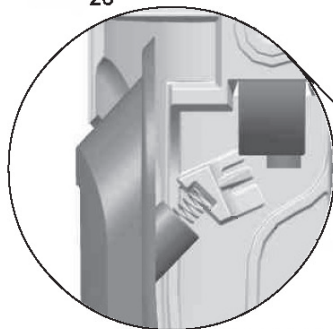
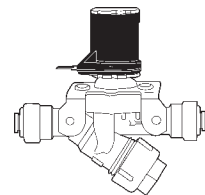
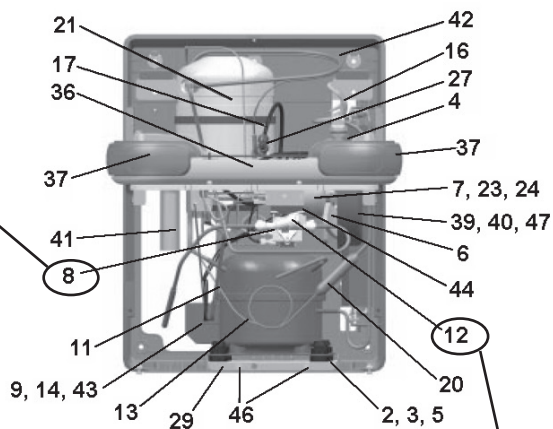
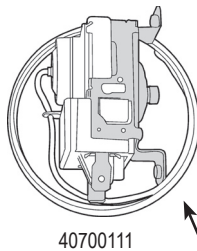
PART # 40451004



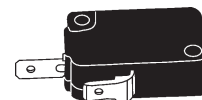
WATER COOLER & FOUNTAIN REPAIR

HALSEY TAYLOR HTV™ SERIES BARRIER-FREE WATER COOLERS

ITEM	PART #	DESCRIPTION
1	40700136	Bubbler gasket (upper and lower)
2		Grommet, compressor mounting
3		Stud, compressor mounting
4		Bubbler nipple
5		Clip, compressor mounting
6		Fan blade
7		Fan motor
8	40700111	Cold control
9		Relay cover
10	40700081	Electrical switch
11		Power cord
12	40700078	Solenoid valve
13		Comp. Serv. Pak
14	38296158	Overload
15	40700167	Regulator holder
16	40700467	Chrome bubbler
17		Poly tubing (cut to length)
18	38856082	Retaining nut
19	38851315	Regulator
20		Drier
21		Evaporator assembly
22		Screw
23		Fan motor screw
24	38850018	Hex nut
25		Drain gasket clamp
26	40700080	Pushbar spring
27		Elbow
28		Support brace
29		Compressor base
30		Fan motor bracket
31		Hanger bracket
32		Basin, stainless steel
33		Frame
34		Top cover
35		Bottom cover
36		Dispenser bottom
37	38856110	Pushbar
38		Drain fitting
39		Fan shroud
40		Condenser
41		Waste line
42		Heat exchanger
43	38285959	Relay
44		Screw
45		Screw
46		Screw
47		Screw
48		Screw
49		Screw
50		Filter mounting bracket
51		Filter assembly



ITEM 10 DETAIL



40700081



**TOTAL
MAINTENANCE
SOLUTIONS**

HOUSTON
800/392-5066

ORLANDO
800/327-3022

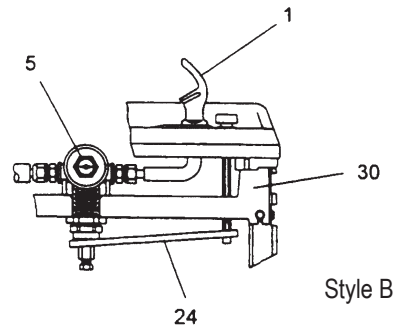
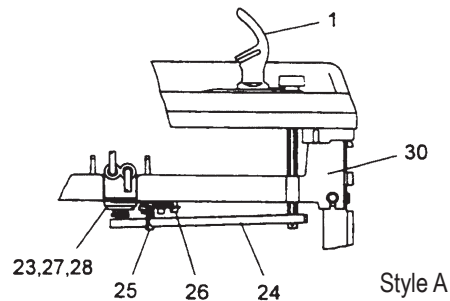
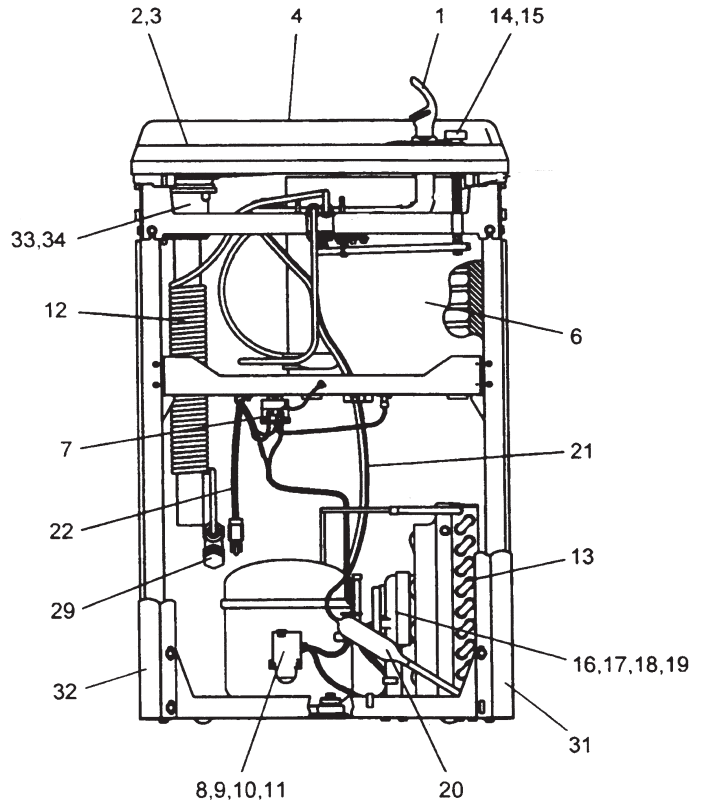
GREENVILLE
800/476-2212

LOOK FOR US ON THE WEB AT: www.TMSSouth.com

WATER COOLER & FOUNTAIN REPAIR

HALSEY TAYLOR MODEL WM8A-3-Q, WM14A-3-Q AND WM16A-2-Q

ITEM	PART #	DESCRIPTION
1	40700467	Bubbler (style A)
		Bubbler (Bronzestone, style A)
	38851077	Bubbler (style B)
		Bubbler (Bronzestone, style B)
2		Drain plug
3	40700473	Strainer plate
		Strainer plate (Bronzestone)
4		Receptor
		Receptor (Bronzestone)
5	40700468	Valve assembly (style B)
6		Evaporator (specify size)
7	40700469	Cold control
8		Compressor Serv. Pak (specify size)
9	38851035	Overload (8 GPH)
	38851027	Overload (14 GPH)
		Overload (16 GPH)
10		Electrical shield
11		Relay cover
12		Precooler (style A)
		Precooler (style B)
13		Condenser (8 GPH)
		Condenser (14 GPH)
		Condenser (16 GPH)
14		Cap push button
		Cap push button (Bronzestone)
15	40700127	Push button stem
16		Fan motor
17		Fan blade
18		Fan blade nut
19		Fan motor bracket
20		Drier (specify size)
21		Heat exchanger (specify size)
22		Power cord
23	38291685	Regulator retaining nut (style A)
24	40700477	Regulator lever (style A)
	40700477	Valve lever (style B)
25	38856861	Pivot bracket (style A)
26	38856862	Regulator retaining bracket (style A)
27	40700155	Regulator holder (style A)
28	40700151	Regulator (style A)
29	40700170	Y-strainer
30		Regulator mounting bracket (style A)
31		Side panel, right (specify color)
32		Side panel, left (specify color)
33		Slip joint nut
34		Drain adaptor
35		Front panel (not shown, specify color)



**TOTAL
MAINTENANCE
SOLUTIONS**

HOUSTON
800/392-5066

ORLANDO
800/327-3022

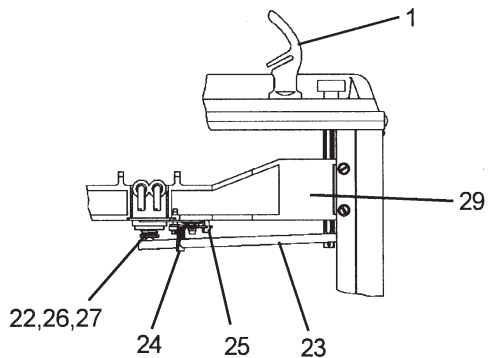
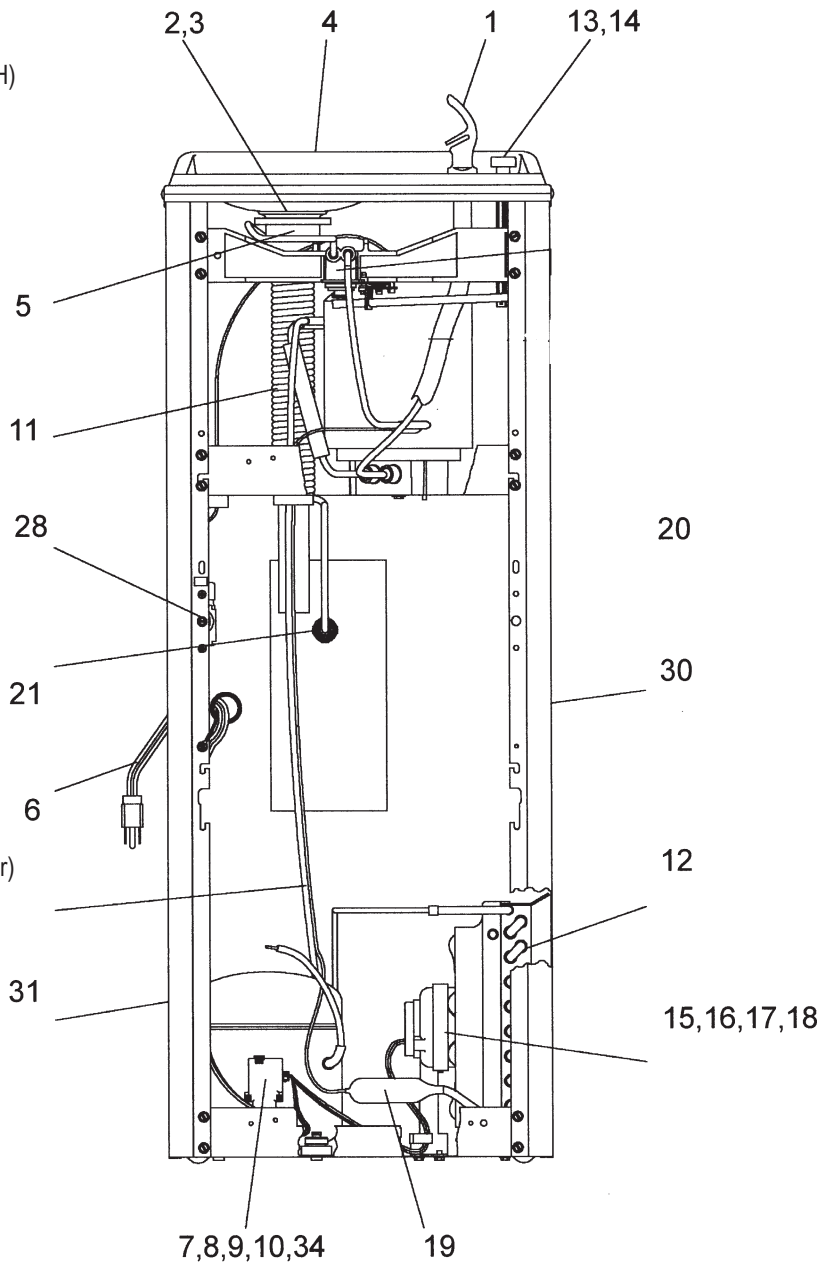
GREENVILLE
800/476-2212

LOOK FOR US ON THE WEB AT: www.TMSSouth.com

WATER COOLER & FOUNTAIN REPAIR

HALSEY TAYLOR MODEL SCWT4A-Q, SCWT8A-Q, SCWT14A-Q, SCWT20A-Q

ITEM	PART #	DESCRIPTION
1	40700467	Bubbler
2	38854720	Drain plug
3	40700473	Strainer plate
4		Basin
5		Evaporator (specify size)
6		Power cord
7		Compressor Serv Pak (specify size)
8	38851035	Overload/relay assembly (4 & 8 GPH)
	38851027	Overload/relay assembly (14 GPH)
9		Electrical shield
10		Relay cover (specify size)
11		Drain tub assembly
12		Condenser (specify size)
13		Cap push button
14	40700127	Push button stem
15		Fan motor (specify size)
16		Fan blade (specify size)
17		Fan blade nut
18		Fan motor bracket
19		Drier (specify size)
20		Heat exchanger (specify size)
22	40700174	Regulator retaining nut
23	40700477	Regulator lever
24	38856861	Pivot bracket
25	38856862	Regulator retaining bracket
26	40700167	Regulator holder
27	40700151	Regulator
28	40700469	Cold control
29	38855880	Regulator mounting bracket
30		Side panel, right (specify color)
31		Side panel, left (specify color)
32		Slip joint nut
33		Drain adaptor
34		Capacitor (20 GPH)
		Front panel (not shown, specify color)



**TOTAL
MAINTENANCE
SOLUTIONS**

HOUSTON
800/392-5066

ORLANDO
800/327-3022

GREENVILLE
800/476-2212

LOOK FOR US ON THE WEB AT: www.TMSSouth.com

WATER COOLER & FOUNTAIN REPAIR

HALSEY TAYLOR MODEL S300-2EQ-1J, S500-5EQ-1J AND S1000-10EQ-1J

ITEM	PART #	DESCRIPTION
1	38850089	Cover
2	38850048	Button
3	40700174	Retainer nut
4	40700160	Regulator
5	38850169	Hex nut
6	40700167	Holder regulator
7		Basin & drain assembly
8	40700467	Chrome bubbler
9	40700136	Bubbler gasket (upper and lower)
10	38855008	Bubbler nipple
11	40700170	Strainer
12		Evaporator assembly (specify size)
13	40700111	Cold control
14		Power cord
15		Fan motor (specify size)
16		Fan blade (specify size)
17		Fan blade nut
18		Fan motor bracket (specify size)
19		Washer
20		Hair pin cotter
21		Drier (specify size)
22		Heat exchanger assembly (specify size)
23		Condenser (specify size)
24		Front panel (specify color)
25		Cabinet (specify color)
26		Compressor Serv Pak (specify size)
27		Relay cover
28	38853103	Overload relay (3 GPH)
	38851035	Overload relay (5 GPH)
		Overload relay (10 GPH)
29		Fan shroud
30		Poly tubing (cut to length)

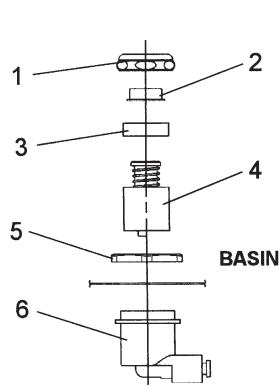


FIG. 4

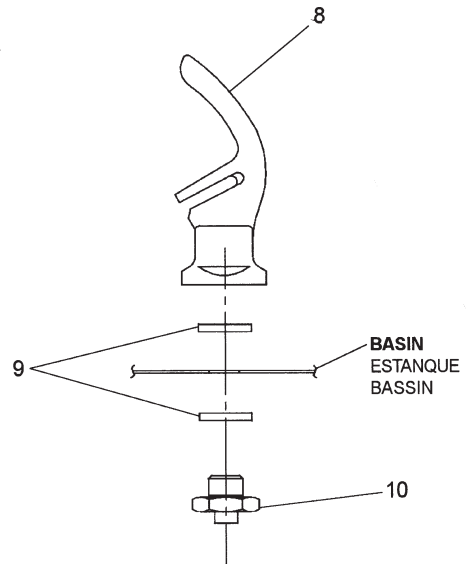
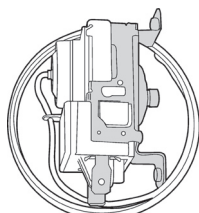
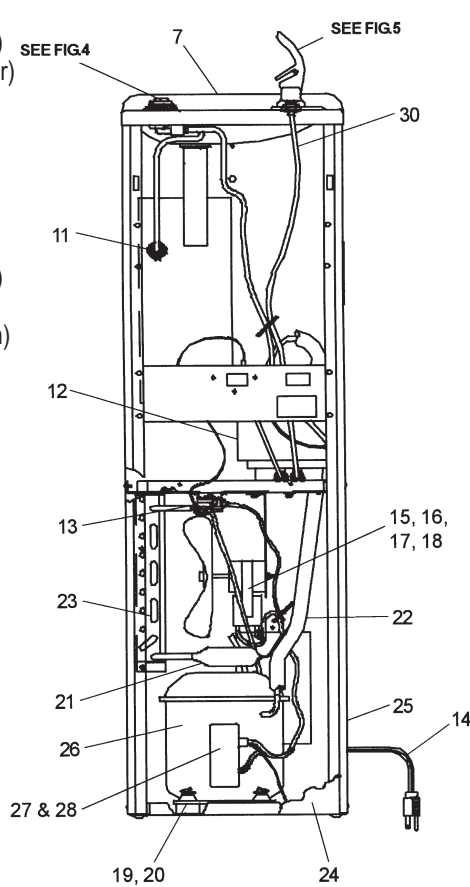


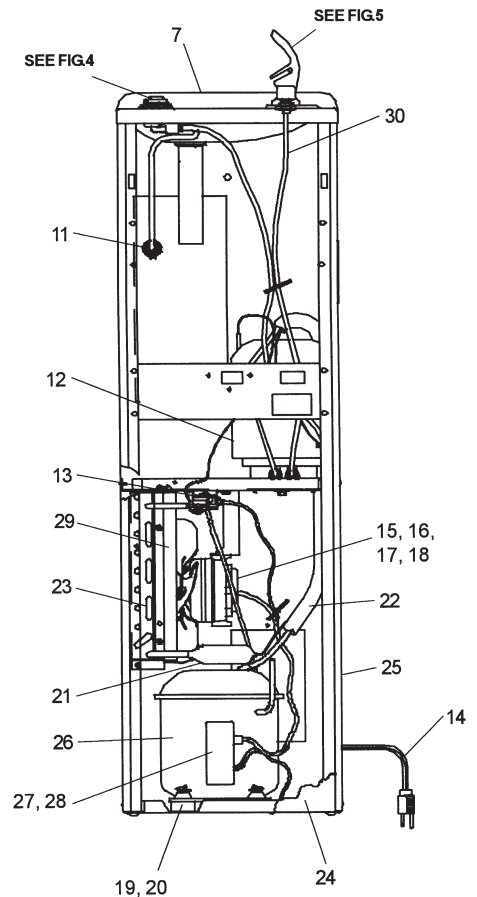
FIG. 5



#13
DETAIL
40700111



S300-2EQ-1J



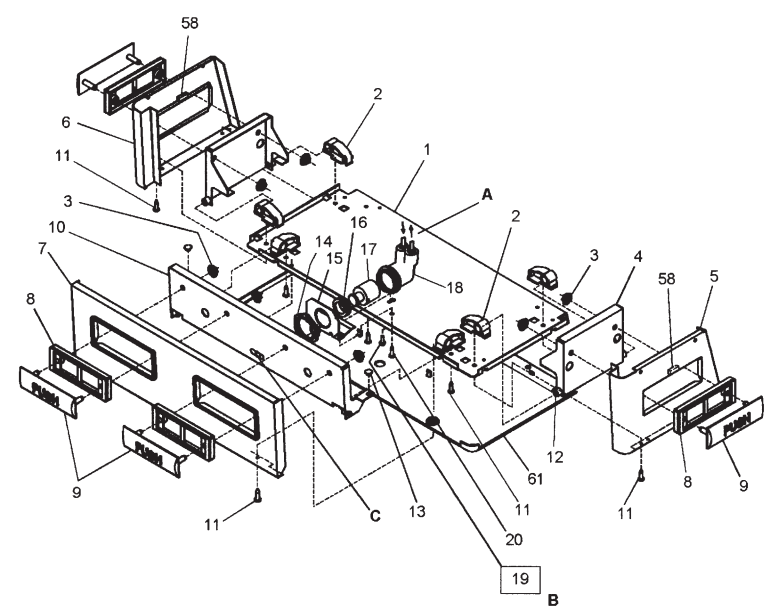
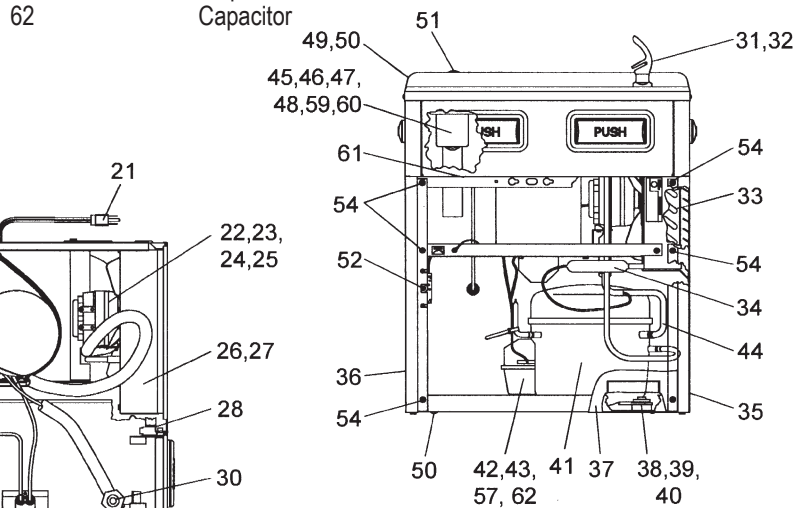
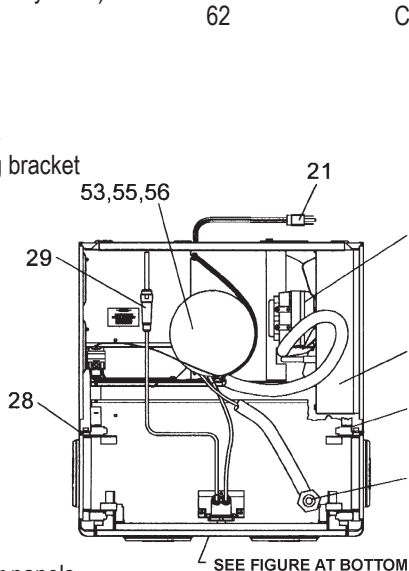
S500-5EQ-1J,
S1000-10EQ-1J

WATER COOLER & FOUNTAIN REPAIR

HALSEY TAYLOR MODEL HAC4F-Q, HAC4FS-Q, HAC8F-Q AND HAC8FS-Q

ITEM	PART #	DESCRIPTION
1		Panel, bottom dispenser
2	38851531	Pivot block
3		Self threading nut
4		Side push bracket
5		Panel, right (specify color)
6		Panel, left (specify color)
7		Panel, front push (specify color)
8		Pushbar, side & front
9		Insert, push bar (specify color)
10		Front push bracket
11		Screw
12		Drive type rivet
13	38291667	Press bar bumper
14	40700443	Hex nut
15		Regulator mounting bracket
16	40700174	Retaining nut
17	40700151	Regulator
18	40700167	Holder - regulator
19		Shoulder screw
20		Screw - regulator bracket mounting
21		Power cord
22		Fan blade
23		Fan blade hex nut
24		Fan motor
25		Fan motor screw
26		Fan shroud
27		Fan shroud screw
28		Clip - front and rear panels
29	40700170	Strainer, pencil-type
30		Bubbler nipple
31	38857078	Chrome bubbler
32	40700136	Bubbler gasket
33		Condenser
34		Drier
35		Panel, right rear (specify color)
36		Panel, left rear (specify color)
37		Panel, front lower (specify color)
38		Stud, compressor mounting
39		Grommet, compressor mounting
40		Clip, compressor mounting
41		Compressor Serv. Pak
42	38851025	Overload relay 1.350.358
43		Overload relay P600B/427NFBYY
44		Relay cover (specify model)
45		Heat exchanger (specify model)
46	40700474	Waste line
47	40700474	Drain gasket
48	38854720	Chrome drain plug
49	40700473	Aztec gold drain plug
50	40700473	Chrome strainer plate
51	40700473	Aztec gold strainer plate
52		Basin, stainless steel (specify color)
53		Screw, basin mounting (specify color)
54		Plug button (specify color)
55		Cold control

ITEM	PART #	DESCRIPTION
53		Evaporator assembly
54		Screw
55		Evaporator retaining clip
56		Drain plug
57		Electrical shield cover
58		Bumper
59		Drain elbow
60		Slip joint nut
61		Dispenser bottom cover
62		Capacitor



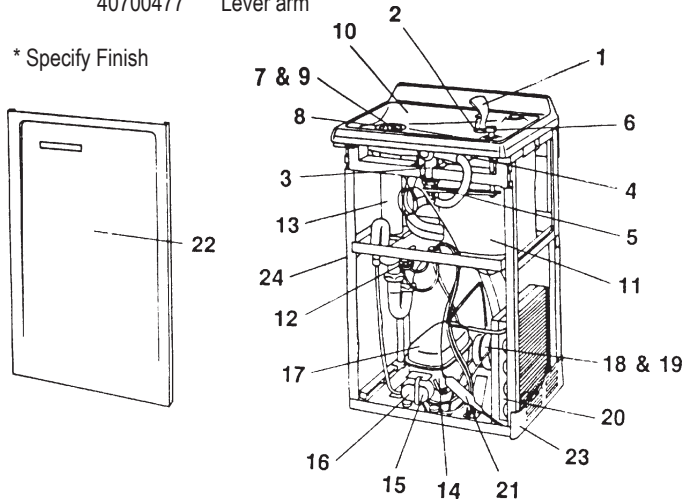
SEE FIGURE AT BOTTOM

WATER COOLER & FOUNTAIN REPAIR

HALSEY TAYLOR MODELS SW-4/6/8/14/16 A-1

ITEM	PART #	DESCRIPTION
1	38851077	Projector
2	40700136	Gasket
3	40700142	Combination Stop & Stream Reg.
4	38854061	Projector Nipple & Supply Line Assy.
5	40700141	Valve Stem Assembly
6	40700472	Push Button Assembly
7	38854720	Drain Plug
8	40700473	Strainer Plate
9	40700474	Waste Gasket
10	38854076	Receptor
	40700475	Bushing
11	38853972	Evaporator/Chiller (SW 4A-1, 6A-1, & 8A-1)
	38854229	Evaporator/Chiller (SW 14A-1)
	38853974	Evaporator/Chiller (SW 16A-1)
12	40700476	Temperature Control
13	38854487	Waste Line Assembly (SW 4A-1 & 6A-1)
	38854436	Supply Line (also needed)
	38854867	Waste Line & Precooler (SW 8A-1, 14A-1, & 16A-1)
	38854059	Precooler Baffle
14	38853814	Starting Capacitor (SW 16A-1)
15	38853340	Relay (SW 4A-1 & 8A-1)
	38853379	Relay (SW 6A-1)
	38853409	Relay (SW 14A-1)
	38853456	Relay (SW 16A-1)
16	38853343	Overload Protector (SW 4A-1 & 8A-1)
	38853486	Overload Protector (SW 6A-1)
	38851060	Overload Protector (SW 14A-1 & 16A-1)
17	38854465	Compressor (SW 4A-1 & 8A-1 includes 15 & 16)
	38854475	Compressor (SW 6A-1 includes 15a & 16a)
	38854466	Compressor (SW 14A-1 includes 15b & 16b)
	38854467	Compressor (SW 16A-1 includes 14, 15c, & 16c)
18	38854424	Fan Motor (SW 4A-1, 6A-1, 8A-1 & 14A-1)
	NLA	Fan Motor (SW 16A-1)
19	38853983	Fan Blade
20	38854084	Condenser (SW 4A-1, 6A-1 & 8A-1)
	38854083	Condenser (SW 14A-1)
	38854085	Condenser (SW 16A-1)
21	38853795	Drier
22	*	Front Panel
23	*	Right Side Panel
24	*	Left Side Panel
25	38853290	Wall Hanger (not shown)
	40700477	Lever arm

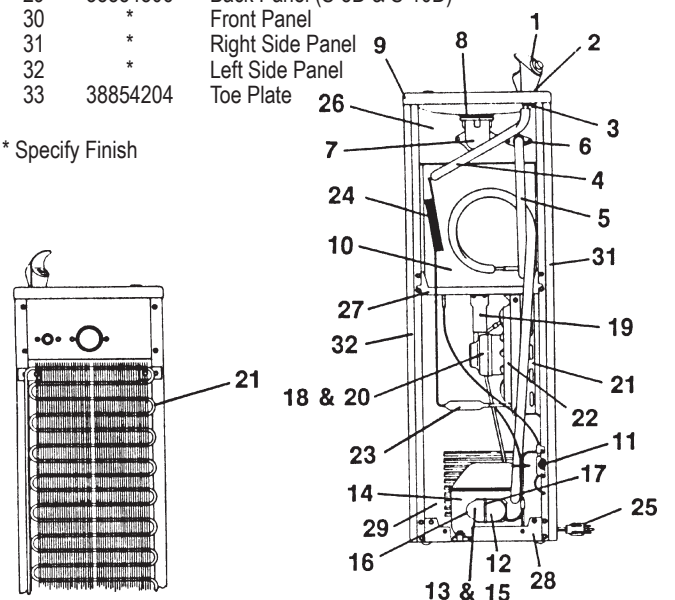
* Specify Finish



HALSEY TAYLOR MODELS S 3/5/10 D

ITEM	PART #	DESCRIPTION
1	40700149	Projector
2	40700136	Gasket
3	38854201	Projector Nipple
4	38854125	Projector Supply Line
5	38854092	Inlet Supply Line
6	38854203	Eared Fitting Assembly
7	38854187	Drain Line
8	38854194	Drain Gasket
9	38854182	Receptor
10	38853914	Evaporator/Chiller Assembly (S-3D)
	38853972	Evaporator/Chiller Assembly (S-5D)
	38853974	Evaporator/Chiller Assembly (S-10D)
11	40700476	Temperature Control
12	38853915	Relay (S-3D)
	38853997	Relay (S-5D)
	38853924	Relay (S-10D)
13	38853916	Overload Protector (S-3D)
	38854185	Overload Protector (S-5D)
	38854217	Overload Protector (S-10D)
14	38854469	Compressor (S-3D includes 12 & 13)
	38854470	Compressor (S-5D includes 12a & 13a)
	38854471	Compressor (S-10D includes 12b & 13b)
15	38853809	Overload Spring
16	38853810	Terminal Cover
17	38853811	Bale Strap
18	38854138	Fan Motor
19	38854804	Fan Motor Bracket
20	38853983	Fan Blade
21	38854886	Condenser (S-3D)
	38854251	Condenser (S-5D)
	38854252	Condenser (S-10D)
22	38854064	Condenser Shroud
23	38853795	Drier
24	38853926	Suction/Capillary Assembly (S-3D)
	38853982	Cap Tube (S-5D)
	38854191	Cap Tube (S-10D)
25	38854795	Wiring Harness
26	38854186	Service Panel
27	38854082	Shelf
28	38854132	Base
29	38854806	Back Panel (S-5D & S-10D)
30	*	Front Panel
31	*	Right Side Panel
32	*	Left Side Panel
33	38854204	Toe Plate

* Specify Finish



HOUSTON
800/392-5066

ORLANDO
800/327-3022

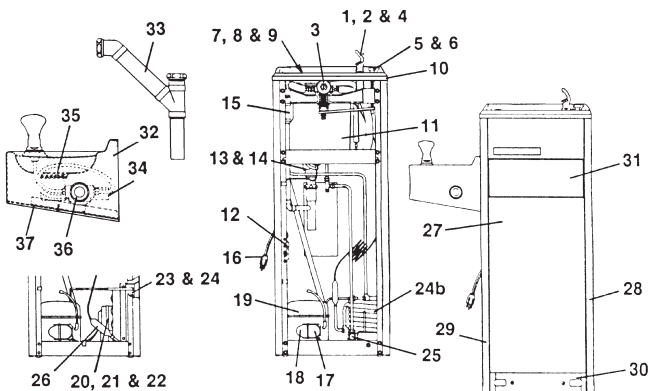
GREENVILLE
800/476-2212

LOOK FOR US ON THE WEB AT: www.TMSSouth.com

WATER COOLER & FOUNTAIN REPAIR

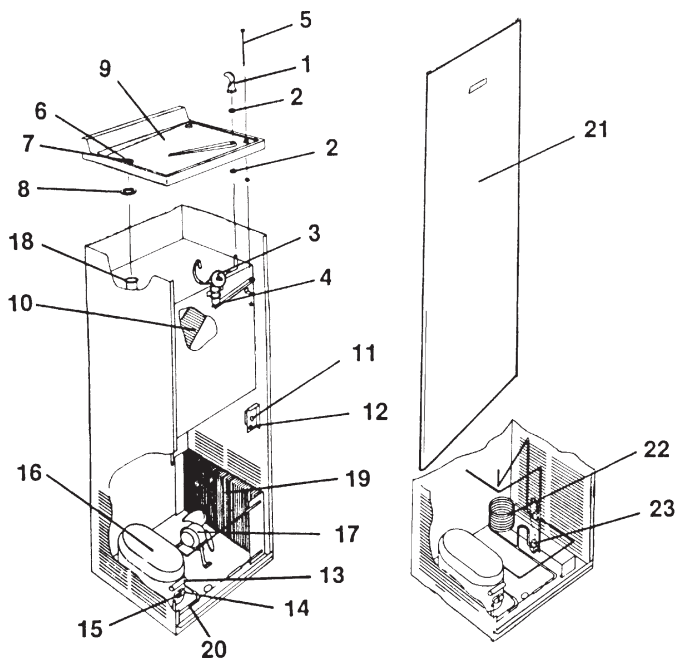
HALSEY TAYLOR MODELS SCWT 4/8/14A

ITEM	PART #	DESCRIPTION
1	38851077	Projector
2	40700136	Gasket
3	40700142	Valve assembly
4	40700128	Projector nipple
5	40700127	Push button cap
6	included in 5	Push button stem
7	38854720	Drain plug
8	40700473	Strainer plate
9	40700474	Waste gasket
10	38853887	Receptor
11	38853972	Evaporator/chiller (SCWT-4&8)
	38854229	Evaporator/chiller (SCWT-14)
12	40700172	Temperature control
13	38853922	Drain tube (SCWT-4)
	38854437	Waste line & pre-cooler (SCWT-8 & 14)
14	38854059	Pre-cooler baffle (SCWT-8 & 14)
15	38854228	Condenser waste line (SCWT-14W)
16	38853991	Wire harness
17	38853915	Relay (SCWT-4)
	38854215	Relay (SCWT-8)
	38853902	Relay (SCWT-14)
18	38853916	Overload protector (SCWT-4)
	38854216	Overload protector (SCWT-8)
	38853901	Overload protector (SCWT-14)
19	38854469	Compressor (SCWT-4)
	38854465	Compressor (SCWT-8)
	38854466	Compressor (SCWT-14)
20	38854138	Fan motor
21	38853983	Fan blade
22	38854804	Fan mounting bracket
23	38854064	Fan shroud (SCWT-8 & 14)
24	38854251	Condenser (SCWT-4 & 8)
	38854252	Condenser (SCWT-14)
	38853917	Condenser (SCWT-14W)
25	38851032	Condenser water valve (SCWT-14W)
26	38853795	Drier
27	*	Front panel
28	*	Right side panel * Specify finish
29	*	Left side panel
	*	Left side panel (SCWT-14FL)
30	38853893	Toe plate
31	38854184	Trim panel
32	38854686	Receptor (SCWT-14FL)
33	38854226	Drain assembly (SCWT-14FL)
34	38853911	Waste tube assy. (SCWT-14FL)
35	40700438	Drain plug (SCWT-14FL)
36	40700157	Push button stem assy. (SCWT-14FL)
37	38853338	Cover plate (SCWT-14FL)



HALSEY TAYLOR MODELS WT-8/14/16/20A

ITEM	PART #	DESCRIPTION
1	40700478	Projector
2	40700136	Gasket
3	40700142	Stop & stream regulator
4	38851064	Valve stem assy.
5	40700126	Push button assy.
6	40700438	Drain plug assy. (WT-8A)
	38851034	Drain plug assy. (WT-14, 16 & 20A)
7	40700473	Strainer plate
8	40700474	Waste gasket
9	NLA	Receptor (WT-8, 14 & 16)
	38853295	Receptor (WT-20A)
10	38853422	Storage tank (lowside WT-8A)
	38853414	Storage tank (lowside WT-14&16)
	38853415	Storage tank (lowside WT-20)
11	40700172	Primary temperature control
12	38851095	Secondary temperature control
13	38853813	Starting capacitor (WT-8&14A)
	38853817	Starting capacitor (WT-16&20)
14	38851062	Relay (WT-8&14A)
	38853456	Relay (WT-16&20A)
15	38851060	Overload protector
16	38853584	Compressor (WT-8&14A) includes 13,14,15
	38853439	Compressor (WT-16&20A) includes 13,14,15
17	38853679	Fan motor assembly
18	38853578	Water line (WT-8A)
	38853516	Pre-cooler assembly (WT-14&16A)
	38853319	Pre-cooler assembly (WT-20A)
19	38853452	Condenser
20	38853675	Capillary heat exchanger (WT-8&14A)
	38853429	Capillary heat exchanger (WT-16&20A)
21	*	Front panel - specify finish
22	38853903	Water cooled condenser (WT-14W&16W)
23	38851032	Condenser water valve (WT-14&16W)



**TOTAL
MAINTENANCE
SOLUTIONS**

HOUSTON
800/392-5066

ORLANDO
800/327-3022

GREENVILLE
800/476-2212

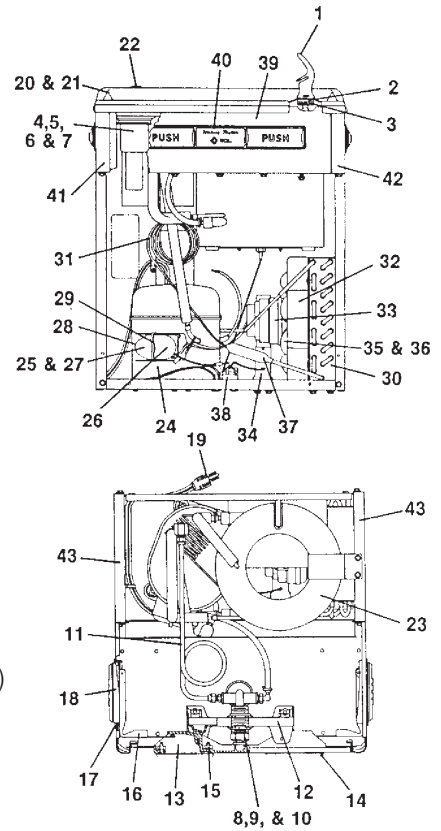
LOOK FOR US ON THE WEB AT: www.TMSSouth.com

WATER COOLER & FOUNTAIN REPAIR

HALSEY TAYLOR MODELS BFC-7F/FS

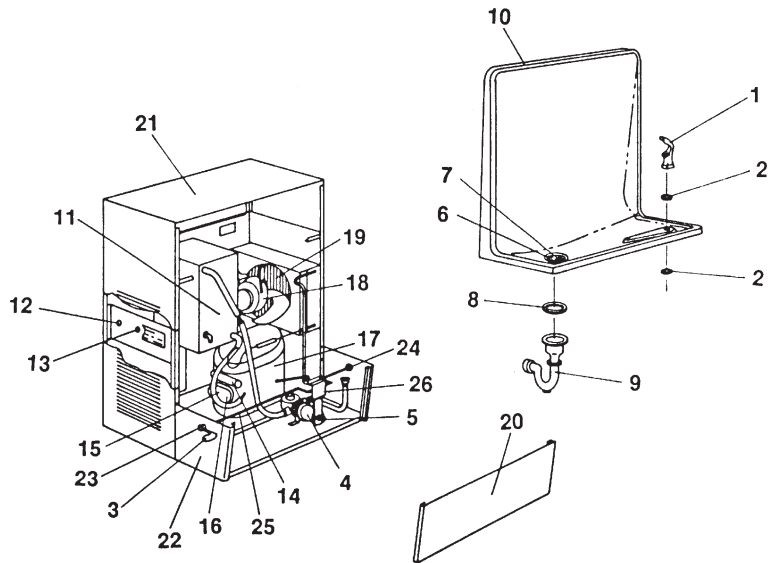
ITEM	PART #	DESCRIPTION	ITEM	PART #	DESCRIPTION
1	38851077	Projector	30	38854355	Condensor
2	40700136	Gasket	31	38854346	Cap tube
3	40700128	Projector nipple	32	38854340	Fan shroud
4	40700474	Waste gasket	33	38854139	Fan motor
5	40700438	Drain plug	34	38854109	Fan motor bracket
6	40700473	Strainer plate	35	38854345	Fan blade
7	38854352	Waste tube assy.	36	38853906	Fan blade nut
8	40700158	Valve & push button assy.	37	38853795	Drier
9	38854354	Valve body assy.	38	40700172	Thermostat
10	38854351	Push button assy.	39	*	Front panel
11	38854095	Inlet supply line	40	38854342	Name plate
12	38854333	Valve bracket	41	*	Left side panel upper (BFC-7F)
13	38854334	Front push bar		*	Left side panel upper (BFC-7FS)
14	38854336	Push bar insert (front & side)		*	Right side panel upper (BFC-7F)
15	38853907	Hex nut	42	*	Right side panel upper (BFC-7FS)
16	38854341	Push bar lever (BFC-7FS)		*	Right side panel upper (BFC-7FS)
17	38854338	Side panel insert (BFC-7FS)	43	*	Side panel rear (left & right)
18	38854337	Side push bar (BFS-7FS)		*	Front panel lower
19	38854356	Wiring harness		38854339	Front panel bumper (not shown)
20	38854257	Receptor		38853942	Hose clamp (not shown)
21	38854704	Receptor screw		38854129	Cabinet screws (not shown)
22	38853318	Plug button		38853290	Mounting bracket (not shown)
23	38854229	Evaporator/Chiller assy.			
24	38854379	Compressor (includes 25 thru 29)			
25	38854347	Overload			
26	38854348	Relay			
27	38853809	Overload spring NLA			
28	38853810	Terminal cover			
29	38853811	Bale strap			

* Specify Finish



HALSEY TAYLOR MODEL WC-7A-1

ITEM	PART #	DESCRIPTION
1	40700478	Projector
2	40700136	Gasket
3	38853780	Handle
4	38854167	Combination stop & steam reg.
5	38854166	Valve stem assembly
6	40700438	Drain plug
7	40700473	Strainer plate
8	40700474	Waste gasket
9	38853017	Waste trap
10	38853774	Receptor
11	38853735	Lowside assembly
12	40700476	Primary temperature control
13	38851063	Secondary temperature control
14	38853813	Starting capacitor
15	38851062	Relay
16	38851060	Overload protector
17	38853584	Compressor (includes 14, 15 & 16)
18	38853736	Fan motor
19	38853721	Condensor
20	*	Front panel
21	*	Back, wrap around
22	*	Front casing assembly
23	38853775	Rod bushing
24	40700489	Locknut
25	40700489	Activating rod
26	40700489	Lever plate



**TOTAL
MAINTENANCE
SOLUTIONS**

HOUSTON
800/392-5066

ORLANDO
800/327-3022

GREENVILLE
800/476-2212

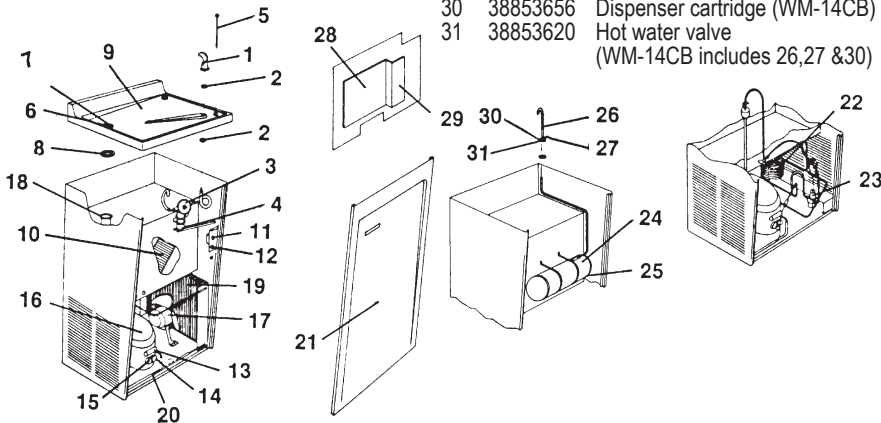
LOOK FOR US ON THE WEB AT: www.TMSSouth.com

WATER COOLER & FOUNTAIN REPAIR

HALSEY TAYLOR MODELS WM-8/14/16/20A (1978 & OLDER)

ITEM	PART #	DESCRIPTION	ITEM	PART #	DESCRIPTION
1	40700478	Projector	16	38853584	Compressor (WM-8A & 14A) includes items 13, 14 & 15.
2	40700136	Gasket		38853439	Compressor (WM-16A) includes items 13, 14 & 15.
3	40700142	Combination stop & stream regulator		38853591	Compressor (WM-20A) includes items 13, 14 & 15.
	38853377	Combination stop & stream regulator (WM-14 CB only)	17	38853679	Fan motor (WM-8A, 14A & 16A)
4	38851064	Valve stem assembly		38853681	Fan motor (WM-20A)
	40700493	Valve stem assembly (WM-14 CB)	18	38853377	Waste line & precoolor (WM-8A)
5	40700126	Push button assembly		38853375	Waste line & precoolor (WM-14A, 16A & 20A)
6	38851034	Drain plug (WM-8A)	19	38853452	Condenser (WM-8A, 14A & 16A)
7	40700473	Strainer plate		38853568	Condenser (WM-20A)
8	40700474	Waste gasket			
9	38853341	Receptor			
10	38853416	Storage tank (WM-8A)			
	38853413	Storage tank (WM-14A, 16A, 20A)			
11	40700476	Primary temperature control			
12	38851063	Secondary temperature control			
13	38853813	Starting capacitor (WM-8A & 14A)			
	38853817	Starting capacitor (WM-16)			
	38853819	Starting capacitor (WM-20)			
14	38851062	Relay (WM-8A & 14A)			
	38853456	Relay (WM-16A)			
	38853589	Relay (WM-20A)			
15	38851060	Overload protector (WM-8A, 14A & 16A)			
	38853588	Overload protector (WM-20A)			

ITEM	PART #	DESCRIPTION
20	38853695	Capillary heat exchanger (WM-8A & 14A)
	38853429	Capillary heat exchanger (WM-16A)
	NLA	Capillary heat exchanger (WM-20A)
21	38853352	Front panel-Moss Grey
22	38853903	Water-Cooled condenser (WM-14W & 16W)
23	38851032	Condenser valve (WM-14W & 16W)
24	38853622	Hot tank assembly (WM-14CB)
25	38853604	Thermostat control (Hot WM-14CB)
26	38851040	Gooseneck (WM-14CB)
27	38851042	Plastic handle (WM-14CB)
28	38853288	Strip heater element (WM-14SH)
29	38853287	Thermostat control (strip heater WM-14SH)
30	38853656	Dispenser cartridge (WM-14CB)
31	38853620	Hot water valve (WM-14CB includes 26, 27 & 30)

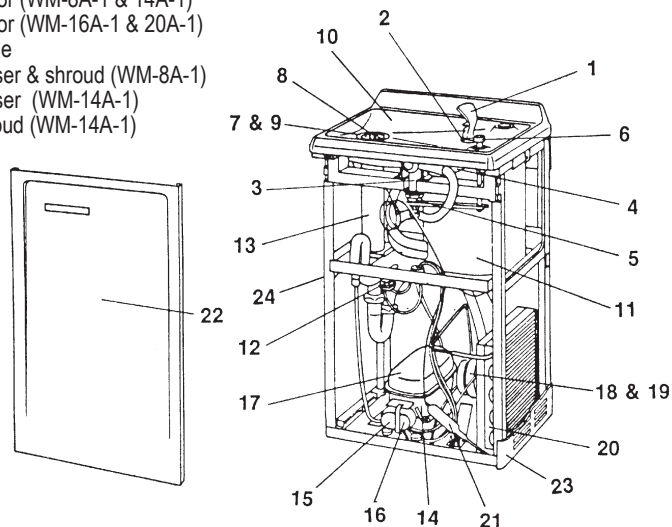


HALSEY TAYLOR MODELS WM-8/14/16/20 A-1 (JUNE 1979 & NEWER)

ITEM	PART #	DESCRIPTION	ITEM	PART #	DESCRIPTION
1	38851077	Projector	16	38853588	Overload protector (WM-20A-1)
2	40700136	Gasket	17	38854465	Compressor (WM-8A-1, includes 15 & 16)
3	40700142	Combination stop & stream regulator		38854466	Compressor (WM-14A-1, includes 15 & 16)
4	38854061	Projector nipple & supply line assembly		38854467	Compressor (WM-16A-1, includes 15 & 16)
5	40700141	Valve stem assembly		38854010	Compressor (WM-20A-1, includes 15 & 16)
6	40700472	Push button assembly	18	38854424	Fan motor (WM-8A-1 & 14A-1)
7	38854720	Drain plug		NLA	Fan motor (WM-16A-1 & 20A-1)
8	40700473	Strainer plate	19	38853983	Fan blade
9	40700474	Waste gasket	20	38854084	Condenser & shroud (WM-8A-1)
10	38854076	Receptor		38854252	Condenser (WM-14A-1)
11	38853972	Evaporator/Chiller assembly (WM-8A-1)		38854064	Fan shroud (WM-14A-1)
	38854229	Evaporator/Chiller assembly (WM-14A-1)			
	38853974	Evaporator/Chiller assembly (WM-16A-1 & 20A-1)			
12	40700476	Temperature control			
13	38854867	Waste line & Precoolor			
	38854059	Precoolor baffle (removable)			
14	38853817	Starting capacitor (WM-16A-1)			
	38853819	Starting capacitor (WM-20A-1)			
15	38853340	Relay (WM-8A-1)			
	38853409	Relay (WM-14A-1)			
	38853456	Relay (WM-16A-1)			
15	38853589	Relay (WM-20A-1)			
16	38853343	Overload protector (WM-8A-1)			
	38851060	Overload protector (WM-14A-1 & 16A-1)			

ITEM	PART #	DESCRIPTION
20	38854085	Condenser & shroud (WM-16A-1, & 20A-1)
21	38853795	Drier
22	*	Front panel
23	*	Right side panel
24	*	Left side panel
25	38853290	Wall hanger (not shown)

* Specify Finish



**TOTAL
MAINTENANCE
SOLUTIONS**

HOUSTON
800/392-5066

ORLANDO
800/327-3022

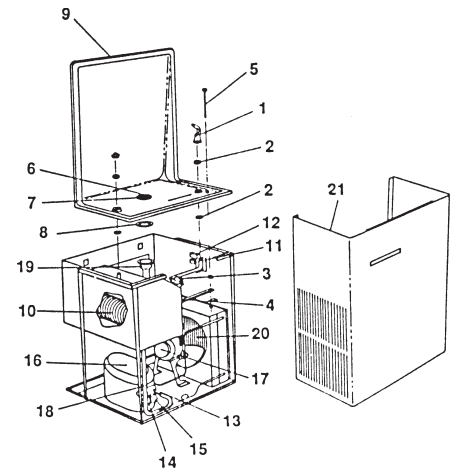
GREENVILLE
800/476-2212

LOOK FOR US ON THE WEB AT: www.TMSSouth.com

WATER COOLER & FOUNTAIN REPAIR

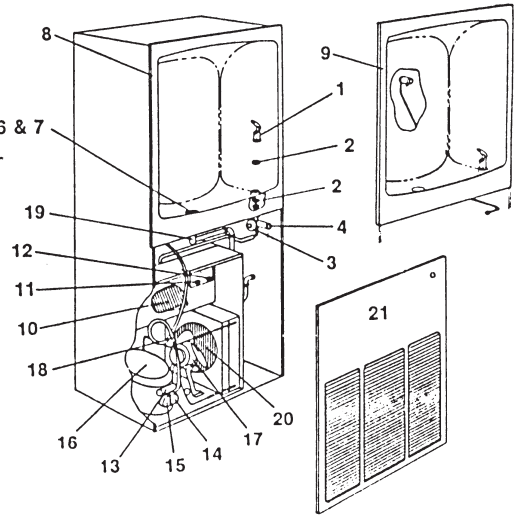
HALSEY TAYLOR MODELS RWM 8/13

ITEM	PART #	DESCRIPTION	ITEM	PART #	DESCRIPTION
1	40700478	Projector	13	38853813	Starting capacitor
2	40700136	Gasket	14	38851062	Relay
3	40700142	Combination stop & stream regulator	15	38851060	Overload protector
4	38851064	Valve stem assembly	16	38853584	Hermetic compressor (includes items 13,14 & 15)
5	40700125	Push button assembly	17	38853260	Fan motor assembly (includes brkt.)
6	40700438	Drain plug (RWM-8A)	18	38853430	Capillary heat exchanger
7	38851034	Drain plug (RWM-13A)	19	38853412	Waste line (RWM-8A)
8	40700473	Strainer plate		38853401	Waste line & precool (RWM-13A)
9	38854162	Receptor	20	38853172	Condenser
10	38854160	Storage tank (lowside)	21	38853369	Front panel – Moss Grey
11	40700476	Primary temperature control			
12	38851063	Secondary temperature control			



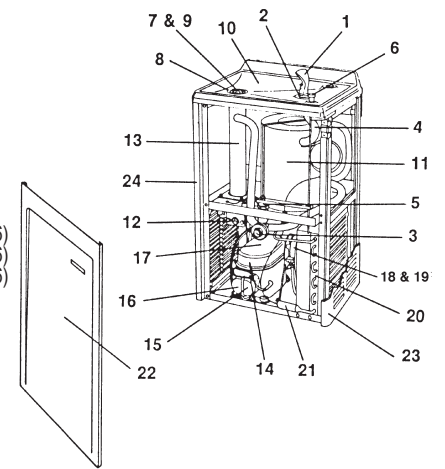
HALSEY TAYLOR MODELS RC 8/12

ITEM	PART #	DESCRIPTION	ITEM	PART #	DESCRIPTION
1	40700478	Projector	13	38853813	Starting capacitor
2	40700136	Gasket	14	38851062	Relay
3	40700494	Combination stop & stream regulator	15	38851060	Overload protector ^{5,6 & 7}
4	40700157	Valve stem assembly	16	38853584	Hermetic compressor (includes items 13,14 & 15)
5	40700438	Drain plug	17	38853801	Fan motor assembly (includes brkt.)
6	40700473	Strainer plate	18	38853628	Capillary heat exchanger
7	40700474	Waste gasket	19	38853578	Waste line (RC-8A)
8	38853571	Receptor		38853701	Waste line & precool (RC-12A)
9	NLA	Receptor with glass filler installed	20	38853582	Condenser
10	38853589	Storage tank (lowside)	21	38854492	Front panel
11	40700476	Primary temperature control			
12	38851063	Secondary temperature control			



HALSEY TAYLOR MODELS WM-8/14/16/20 A-1 (JANUARY 1979 TO JUNE 1979)

ITEM	PART #	DESCRIPTION	ITEM	PART #	DESCRIPTION
1	38851077	Projector	15	38853340	Relay (WM-8A-1)
2	40700136	Gasket		38851062	Relay (WM-14A-1)
3	40700143	Combination stop & stream regulator		38853456	Relay (WM-16A-1)
4	38853963	Projector nipple & supply line assembly		38853589	Relay (WM-20A-1)
5	40700141	Valve stem assembly	16	38853343	Overload protector (WM-8A-1)
6	40700495	Push button assembly		38851060	Overload protector (WM-14A-1 & 16A-1)
7	38854720	Drain plug		38853588	Overload protector (WM-20A-1)
8	40700473	Strainer plate	17	38854465	Compressor (WM-8A-1, includes 15 & 16)
9	40700474	Waste gasket		38854466	Compressor (WM-14A-1, includes 15 & 16)
10	38854076	Receptor & bushing		38854467	Compressor (WM-16A-1, includes 15 & 16)
11	38853972	Evaporator/Chiller assembly (WM-8A-1)		38854469	Compressor (WM-20A-1, includes 15 & 16)
	38854229	Evaporator/Chiller assembly (WM-14A-1)	18	38853980	Fan motor (WM-8A-1 & 14A-1)
	38853974	Evaporator/Chiller assembly (WM-16A-1 & 20A-1)		NLA	Fan motor (WM-16A-1 & 20A-1)
12	40700476	Temperature control	19	38853983	Fan blade
13	38854866	Waste line & Precool	20	38853979	Condenser (WM-8A-1)
14	38853813	Starting capacitor (WM-14A-1)		38853987	Condenser (WM-14A-1 & 16A-1)
	38853817	Starting capacitor (WM-16A-1)		38854010	Condenser (WM-20A-1)
	38853819	Starting capacitor (WM-20A-1)	21	38853975	Drier
			22	*	Front panel
			23	*	Right side panel
			24	*	Left side panel
			25	38853290	Wall hanger (not shown)



TOTAL MAINTENANCE SOLUTIONS

HOUSTON
800/392-5066

ORLANDO
800/327-3022

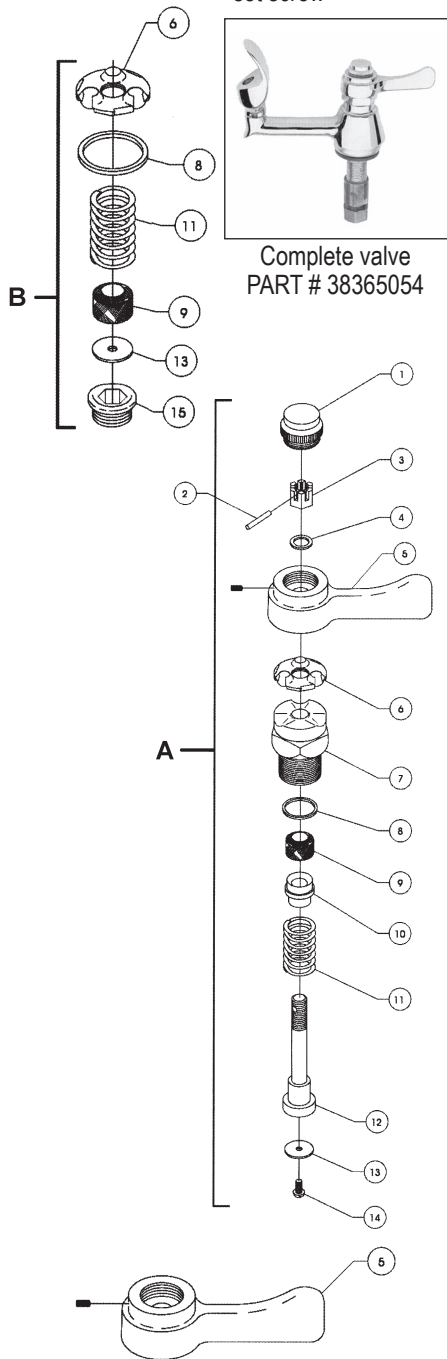
GREENVILLE
800/476-2212

LOOK FOR US ON THE WEB AT: www.TMSSouth.com

WATER COOLER & FOUNTAIN REPAIR

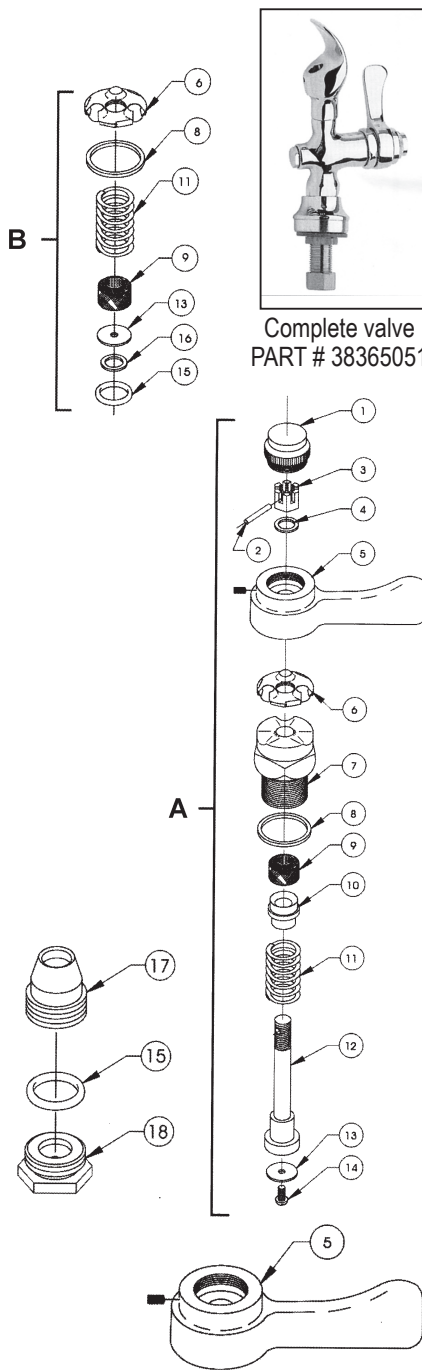
HAWS MODEL 5054LF BUBBLER VALVE

ITEM	PART #	DESCRIPTION
A	38562040	Repair kit (includes items 1-14)
B	40700101	Repair kit (includes items 6, 8, 9, 11, 13, 15)
5	40700102	Lever handle with set screw



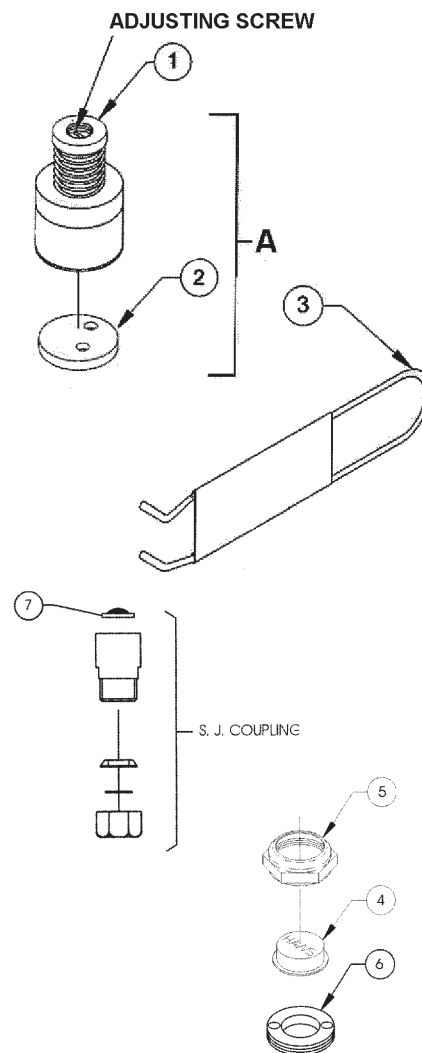
HAWS MODEL 5051LF BUBBLER VALVE

ITEM	PART #	DESCRIPTION
A	40700104	Repair kit (includes items 1-14)
B	40700101	Repair kit (includes items 6, 8, 9, 11, 13, 15, 16)
5	40700102	Lever handle with set screw
18	40700496	Cap nut



HAWS MODEL 5017LF BUBBLER VALVE

ITEM	PART #	DESCRIPTION
A	40700150	Cartridge assembly with gasket
3	20200139	Wrench spanner for retainer nut removal
4		Push button
5		Cover hex nut
6		Retainer nut
7		Strainer screen

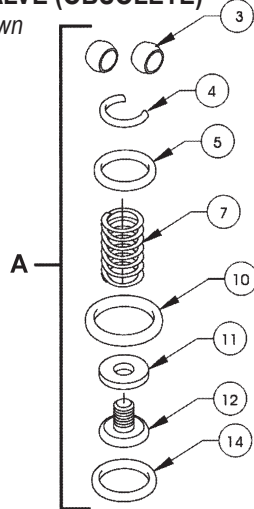
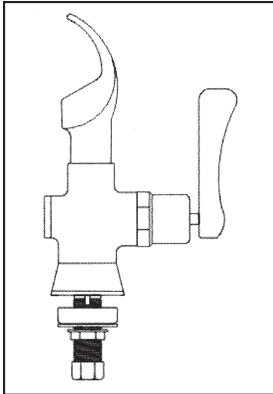


WATER COOLER & FOUNTAIN REPAIR

HAWS MODEL 5052 BUBBLER VALVE (OBSOLETE)

Available parts include only what is shown

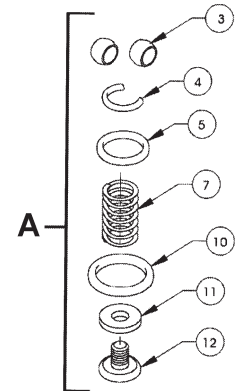
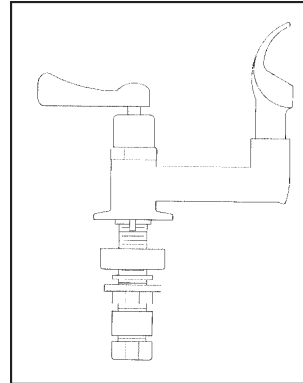
Repair Kit A: PART # 40700086



HAWS MODEL 5056 BUBBLER VALVE (OBSOLETE)

Available parts include only what is shown

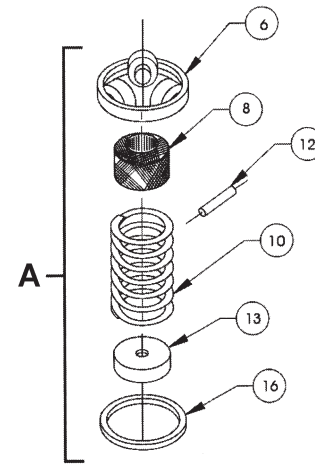
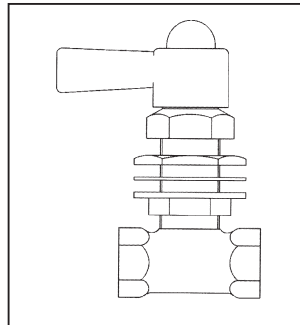
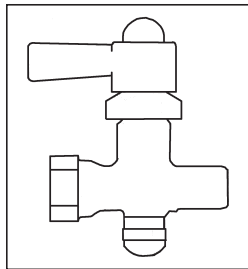
Repair Kit A: PART # 40700086



HAWS MODEL 5800 VALVE (OBSOLETE) AND 5850 (OBSOLETE)

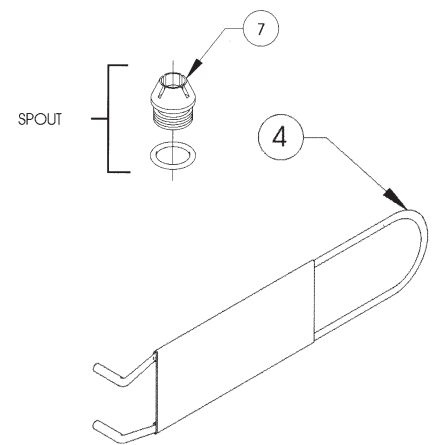
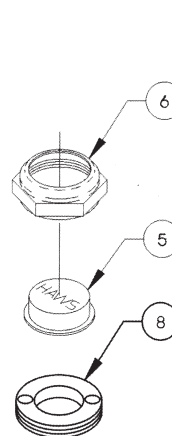
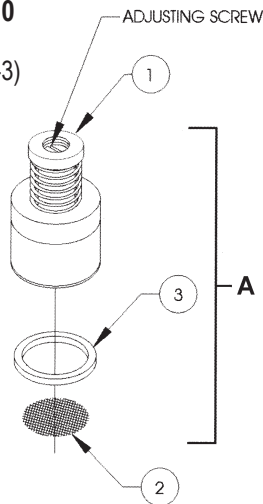
Available parts include only what is shown

Repair Kit A: PART # 40700087



HAWS BUBBLER VALVE MODEL 5010

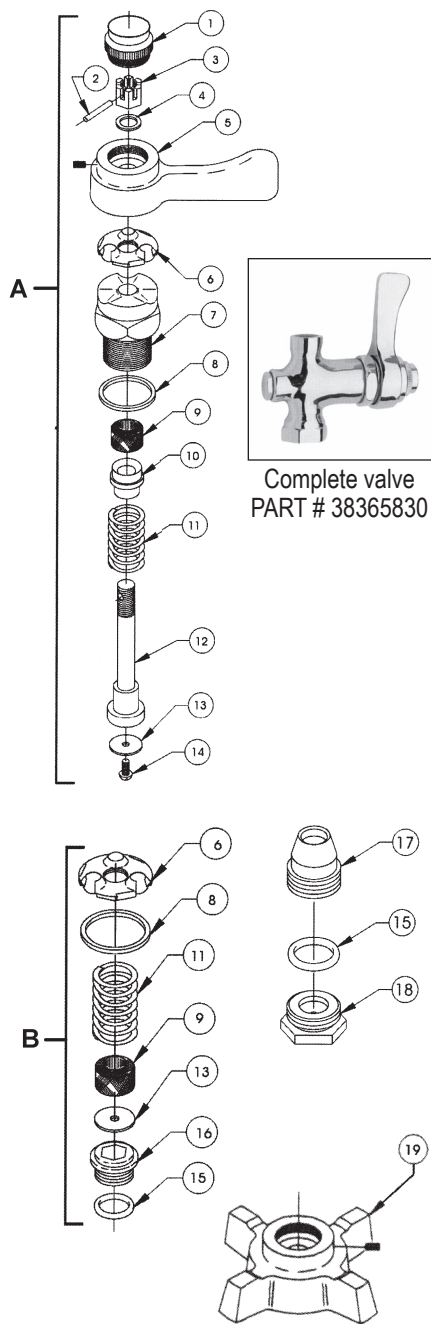
ITEM	PART #	DESCRIPTION
A	40700098	Repair kit (includes 1-3)
1		Cartridge assembly
2		Screen
3		Washer
4	20200139	Wrench spanner for retainer nut removal
5		Push button
6		Cover hex nut
7		Spout with o-ring
8		Retaining nut



WATER COOLER & FOUNTAIN REPAIR

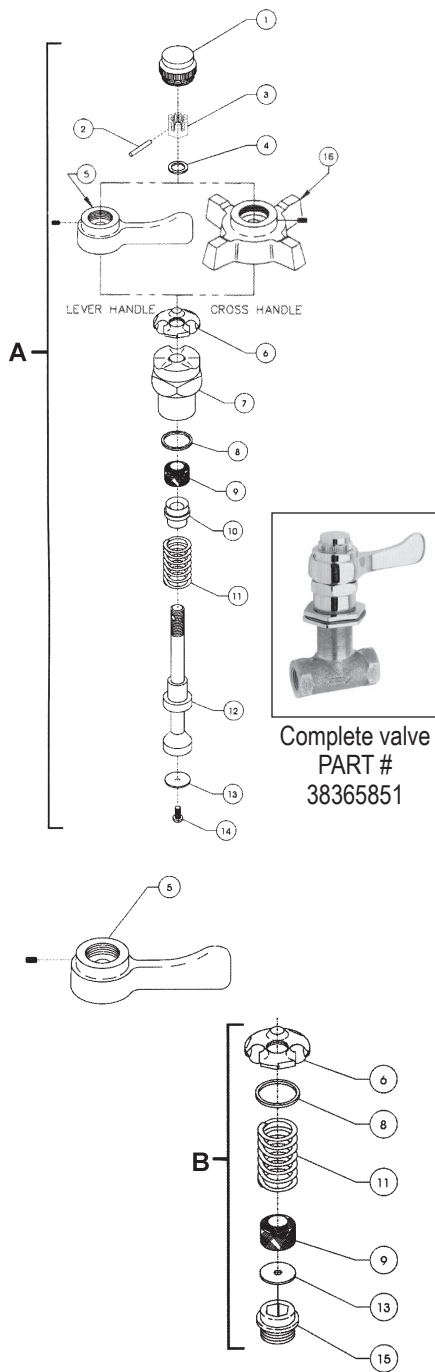
HAWS MODEL 5830LF VALVE

ITEM	PART #	DESCRIPTION
A	40700104	Repair kit (includes items 1-14)
B	40700101	Repair kit (includes items 6, 8, 9, 11, 13, 15)
	NLA	Cross handle with set screw
5	40700102	Lever handle with set screw



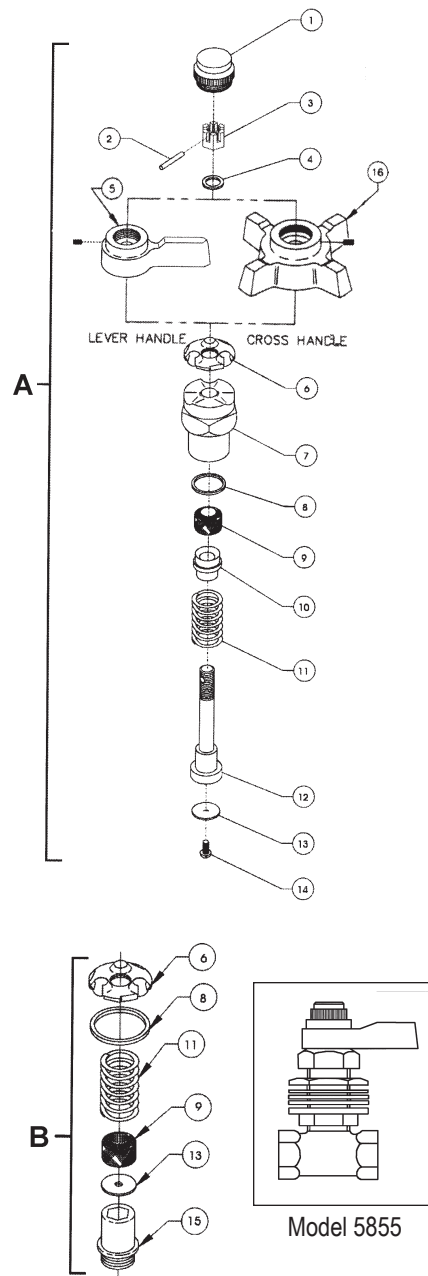
HAWS MODEL 5851LF VALVE

ITEM	PART #	DESCRIPTION
A	40700103	Repair kit (includes 1-14)
B	40700101	Repair kit (includes items 6, 8, 9, 11, 13, 15)
	NLA	Cross handle with set screw
5	40700102	Lever handle with set screw



HAWS MODEL 5855 AND 5856 VALVE (OBSOLETE)

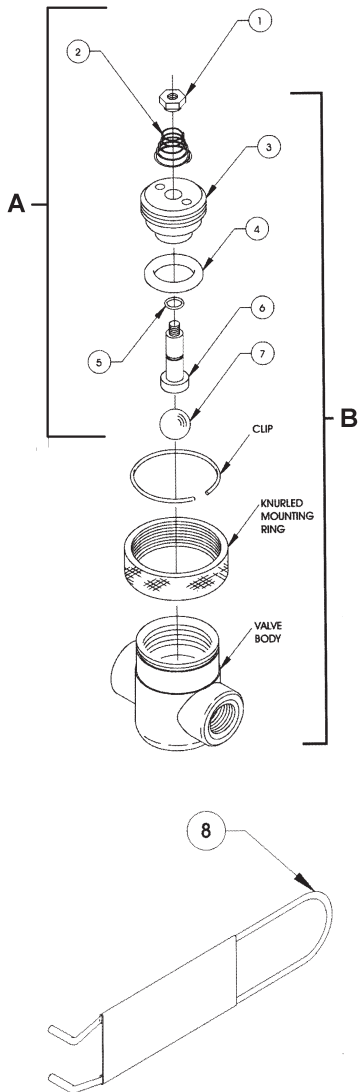
ITEM	PART #	DESCRIPTION
A	40700100	Repair kit (includes items 1-14)
B	40700101	Repair kit (includes items 6, 8, 9, 11, 13, 15)
	NLA	Cross handle with set screw
5	40700102	Lever handle with set screw



WATER COOLER & FOUNTAIN REPAIR

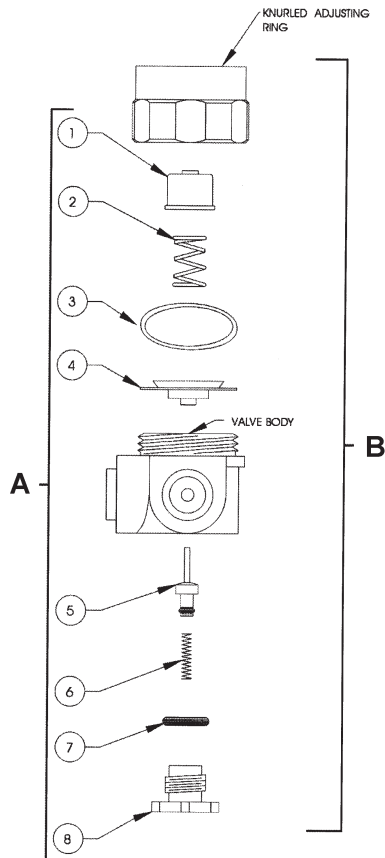
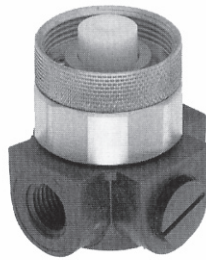
HAWS VALVE MODEL 5871

ITEM	PART #	DESCRIPTION
A	40700095	Repair kit (includes items 1-7)
B	40700096	Complete valve (includes items 1-7 plus clip, knurled mounting ring and valve body)
8	40700097	Wrench for retainer nut removal



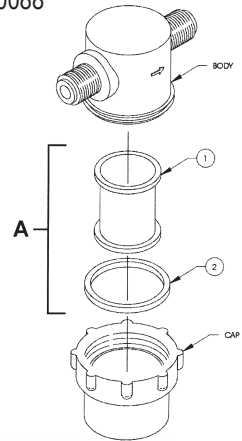
HAWS MODEL 5872 AND 5872HF

ITEM	PART #	DESCRIPTION
A	36365872	Repair kit (includes items 1-8)
B	40700094	Complete valve (includes items 1-8 plus knurled adjusting ring and valve body)



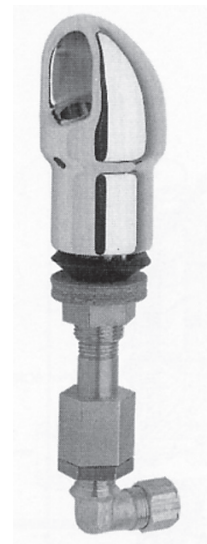
HAWS MODEL 6420 IN-LINE STRAINER

Repair Kit A (includes items 1 & 2)
PART # 38366420
Replacement strainer complete unit
PART # 40700088



HAWS MODEL 5703M BUBBLER HEAD

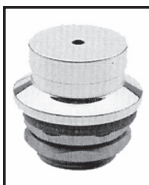
Lead-free, chrome plated. Assembly
includes locknut and washers. .4 GPM
flow control spud and compression
elbow.
PART # 40700089



WATER COOLER & FOUNTAIN REPAIR

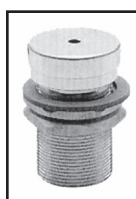
HAWS PUSH BUTTONS MODELS PBA2, PBA4 AND PBA5

MODEL PBA2
Polished, chrome plated
push button assembly
used on round front
sculpted bowl series.
PART # 40700090



MODEL PBA4
Polished chrome plated
push button assembly
used on fountains with
recessed push buttons.
PART # 40700091

MODEL PBA5
Polished chrome plated
push button assembly
used on fountains with
a wall thickness of more
than 5/8" thick.
PART # 40700092

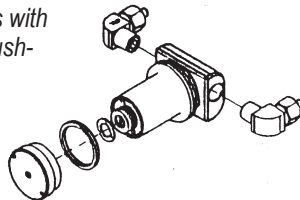


PLEASE NOTE: THESE PUSHBUTTONS
WILL NOT WORK WITH 5874 VALVES

HAWS PUSH BUTTONS MODEL 5874PB, 5874PBF, PBA7, PBA6 AND VRK5874

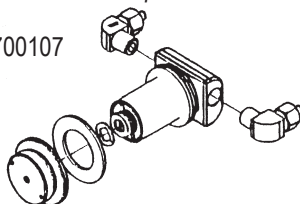
5874PB – Polished chrome-plated
recessed push button with valve for use
on fountains with
recessed push-
buttons.

PART #
40700105



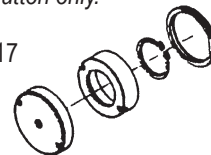
5874PBF – Polished chrome plated
flanged push button with valve. For use on
fountains with flush mount push buttons.

PART # 40700107



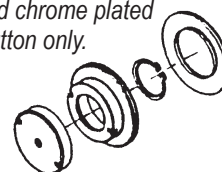
PBA7 – Polished chrome plated
recessed push button only.

PART # 38360217



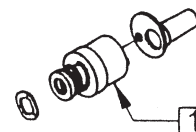
PBA6 – Polished chrome plated
flanged push button only.

PART #
38360216



VRK5874 - Valve repair kit

PART # 38365876



CALL US FOR INFORMATION ON HAWS WATER FOUNTAINS



HOUSTON
800/392-5066

ORLANDO
800/327-3022

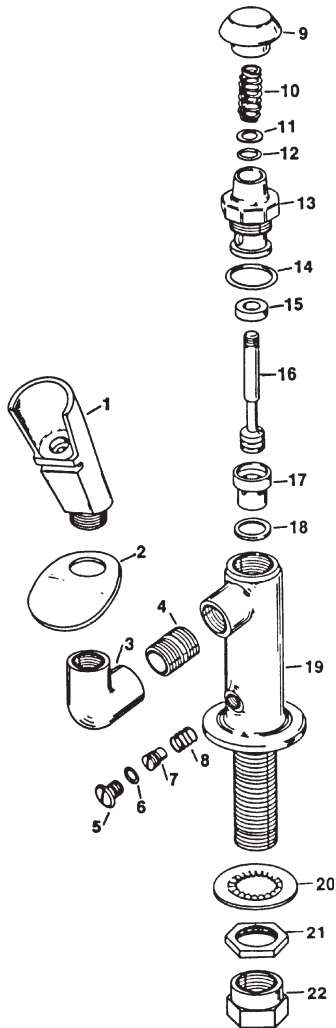
GREENVILLE
800/476-2212

LOOK FOR US ON THE WEB AT: www.TMSSouth.com

WATER COOLER & FOUNTAIN REPAIR

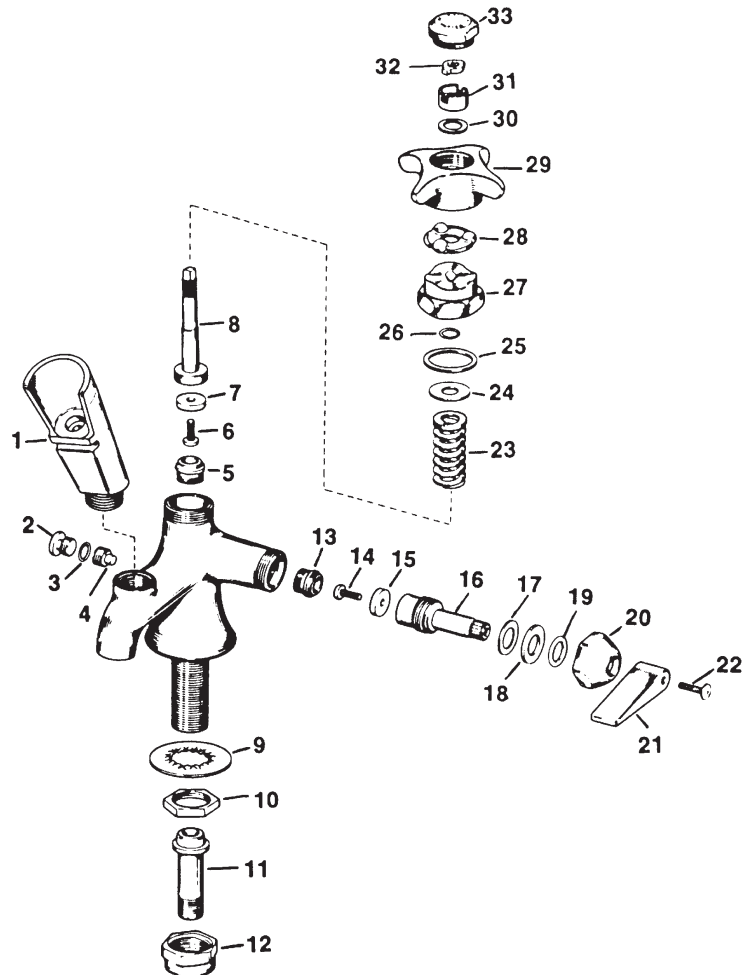
KOHLER K-7524 BUBBLER

ITEM.	PART #	DESCRIPTION
1	09893460	Bubbler head
2	09892315	Drip shield
3	09891836	Elbow
4	09892226	Nipple
5	09891780	Screw
6	40950017	O-Ring
7	09891682	Adjusting screw
8	40700498	Spring
9	40700499	Push button
10	40700500	Spring
11	40700501	Washer
12	40950017	O-Ring
13	40700502	Bonnet
14	40950029	O-Ring
15	40700503	Seat washer
16	40700504	Stem
17	40700505	Dash pot
18	40700506	Washer
19		Body
20	50100042	Washer
21	40800598	Lock nut
22	40800454	Coupling nut



KOHLER K-7520 & K-8194 STATION LAVATORY FAUCET WITH BUBBLER

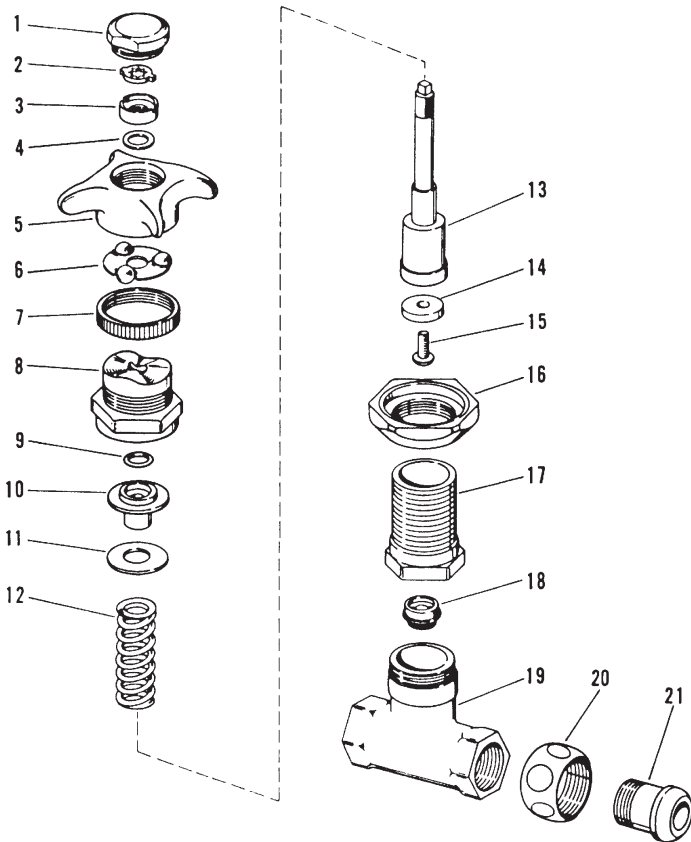
ITEM.	PART #	DESCRIPTION	ITEM.	PART #	DESCRIPTION
1	09893460	Bubbler head	20	09891716	Bonnet
2	09891780	Cap	21	09891985	Handle
3	40950017	O-Ring	22	40700508	Screw
4	09892257	Flow control screw	23	40700509	Spring
5	40140113	Renewable seat	24	40700510	Washer
6	40140107	Screw	25	40700511	Gasket
7	40110118	Seat washer	26	40950022	O-Ring stem packing
8	09891755	Valve stem w/ washer	27	40700512	Bonnet assembly
9	50100042	Washer	28	40700513	Ball & frame parts
10	40140042	Locknut	29	40700514	Handle
11		Tailpiece	30	40700515	Washer
12	40800454	Nut	31	40700516	Adjusting nut
13	40140113	Renewable seat	32	40700517	Lock washer
14	40140107	Screw	33	40700518	Index button
15	40110118	Seat washer		09891430	Seat wrench (not shown)
16	40700507	Valve stem w/ washer			
17	09892508	Washer			
18	09892550	Washer			
19	40950048	O-Ring stem packing			



WATER COOLER & FOUNTAIN REPAIR

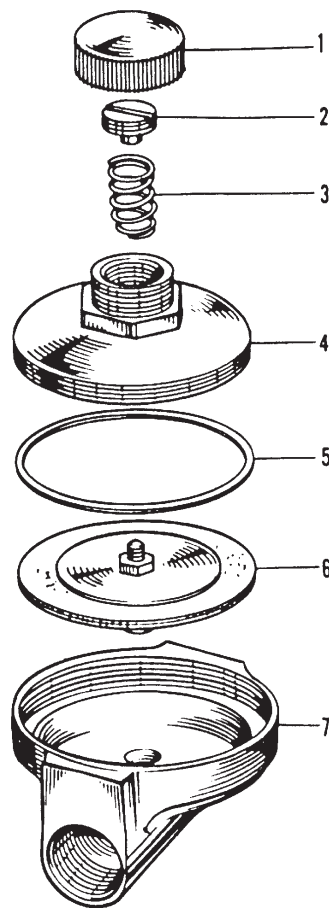
KOHLER 34913 SELF-CLOSING VALVE FOR RECESSED DRINKING FOUNTAIN

ITEM	PART #	DESCRIPTION
1	40700518	Cap
2	40700517	Lock washer
3	40700516	Adjusting nut
4	40700515	Washer
5	40700514	Handle
6	40700513	Ball & Frame assy.
7	40700519	Lock ring
8	09892054	Bonnet
9	40950048	O-Ring
10	40700539	Retainer
11	40700520	Washer
12	40700521	Spring
13	40700540	Stem w/ washer
14	09890972	Seat washer
15	40140107	Screw
16	09892278	Lock nut
17	09892262	Extension
18	40140113	Renewable seat
19		Body w/seat
20		Union nut
21		Union joint
1-15	09892246	Self-Closing Unit items 1 thru 15



KOHLER 34777 PRESSURE REGULATOR PARTS - USED ON ALL KOHLER DRINKING FOUNTAINS

ITEM	PART #	DESCRIPTION
1	40700522	Cap
2	40700523	Adjusting screw
3	40700524	Spring
4	40700525	Cover
5	40140111	Gasket
6	40700526	Diaphragm parts
7		Body



**TOTAL
MAINTENANCE
SOLUTIONS**

HOUSTON
800/392-5066

ORLANDO
800/327-3022

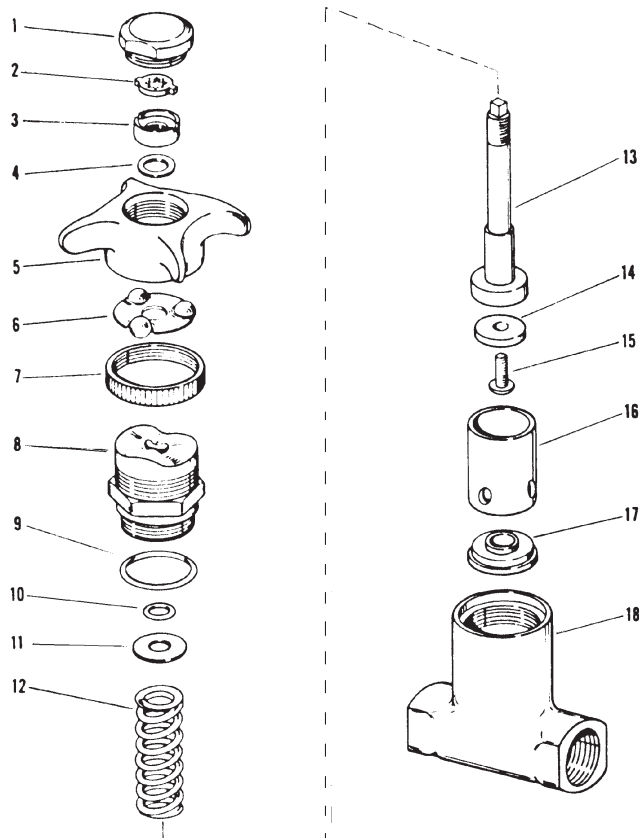
GREENVILLE
800/476-2212

LOOK FOR US ON THE WEB AT: www.TMSSouth.com

WATER COOLER & FOUNTAIN REPAIR

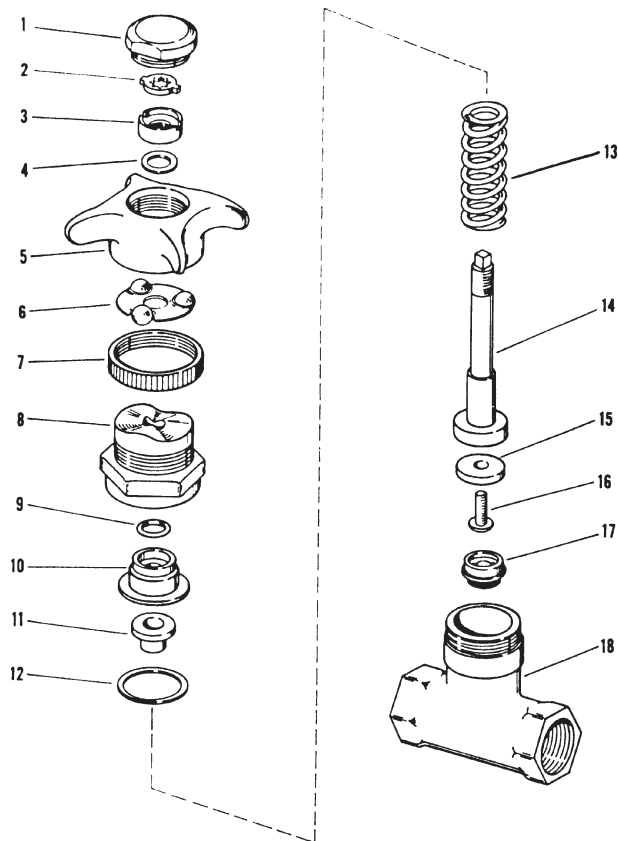
KOHLER 34648 SELF-CLOSING VALVE FOR DRINKING FOUNTAIN WITH EXPOSED SUPPLY FITTING

ITEM	PART #	DESCRIPTION
1	40700518	Cap
2	40700517	Lock washer
3	40700516	Adjusting nut
4	40700515	Washer
5	40700514	Handle
6	40700513	Ball & Frame assembly
7	40700519	Lock ring
8	40700527	Bonnet
9	40950037	O-Ring
10	40950048	O-Ring
11	40700528	Washer
12	40700509	Spring
13	40700529	Stem w/ washer
14	40110118	Seat washer
15	40140107	Screw
16	40700530	Sleeve
17	40140173	Renewable seat
18		Body
1-17	40700531	Self-Closing Unit items 1 thru 17



KOHLER 34764 SELF-CLOSING VALVE FOR DRINKING FOUNTAIN WITH EXPOSED SUPPLY FITTING

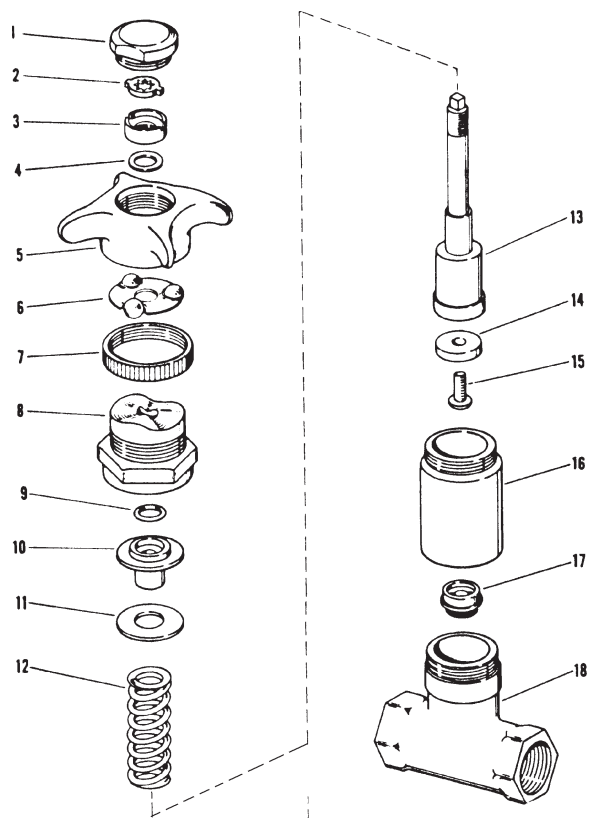
ITEM	PART #	DESCRIPTION
1	40700518	Cap
2	40700517	Lock washer
3	40700516	Adjusting nut
4	40700515	Washer
5	40700514	Handle
6	40700513	Ball & Frame assembly
7	40700519	Lock ring
8	40700532	Bonnet (9-12)
9	40950048	O-Ring
10	40700533	Retainer
11	40700534	Cup
12	40700535	Gasket
13	40700521	Spring
14	40700537	Stem w/ washer
15	09890972	Seat washer
16	40140107	Screw
17	40140113	Renewable seat
18		Body w/seat
1-16	40700536	Self-Closing Unit items 1 thru 16



WATER COOLER & FOUNTAIN REPAIR

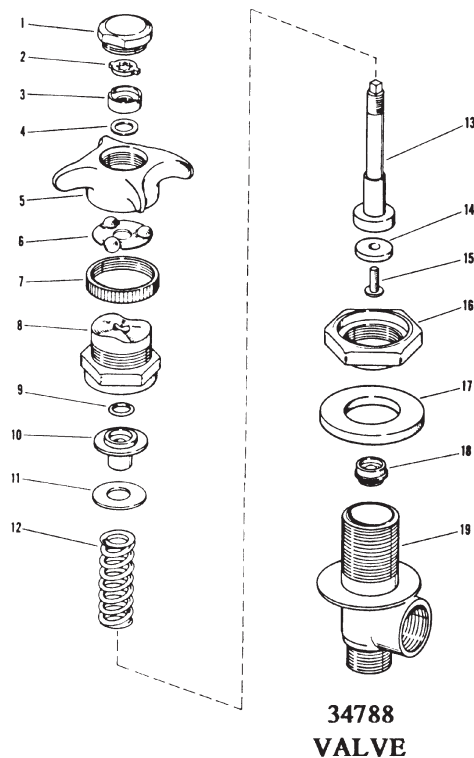
KOHLER 34784 SELF-CLOSING VALVE PEDESTAL DRINKING FOUNTAIN

ITEM	PART #	DESCRIPTION
1	40700518	Cap
2	40700517	Lock
3	40700516	Adjusting nut
4	40700515	Washer
5	40700514	Handle
6	40700513	Ball & Frame
7	40700519	Lock ring
8	40700538	Bonnet assy (8-10)
9	40950048	O-Ring
10	40700539	Retainer
11	40700520	Washer
12	40700521	Spring
13	40700540	Stem w/ washer
14	09890972	Seat washer
15	40140107	Screw
16		Extension
17	40140113	Renewable seat
18		Body w/seat
1-15	40700541	Self-Closing Unit items 1-15



KOHLER 34765 SELF-CLOSING VALVE FOR SEMI-RECESS FOUNTAIN KOHLER 34788 SELF-CLOSING VALVE FOR WALL HUNG FOUNTAIN

ITEM	PART #	DESCRIPTION
1	40700518	Cap
2	40700517	Lock
3	40700516	Adjusting nut
4	40700515	Washer
5	40700514	Handle
6	40700513	Ball & Frame assembly
7	40700519	Lock ring
8	40700542	Bonnet assembly (9-11)
9	40950048	O-Ring
10	40700539	Cup
11	40700520	Washer
12	40700521	Spring
13	40700543	Stem w/ washer
14	09890972	Seat washer
15	40140107	Screw
16	40700538	Nut
17	40700544	Gasket (2 required)
18	40140113	Renewable seat
19	NLA	Body with seat for 34788 valve
20	NLA	Body with seat for 34765 valve
1-15	40700545	Self-Closing Unit = items 1 thru 15



**34765
VALVE**

**34788
VALVE**



**TOTAL
MAINTENANCE
SOLUTIONS**

HOUSTON
800/392-5066

ORLANDO
800/327-3022

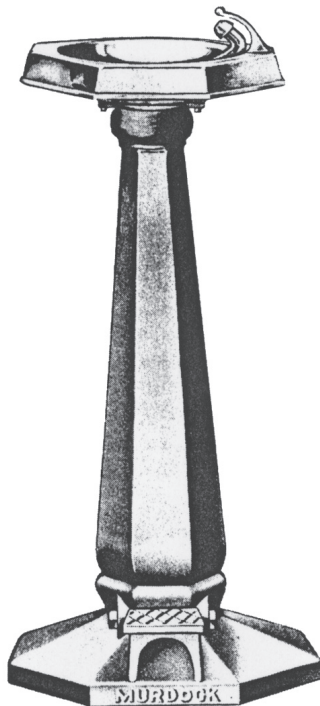
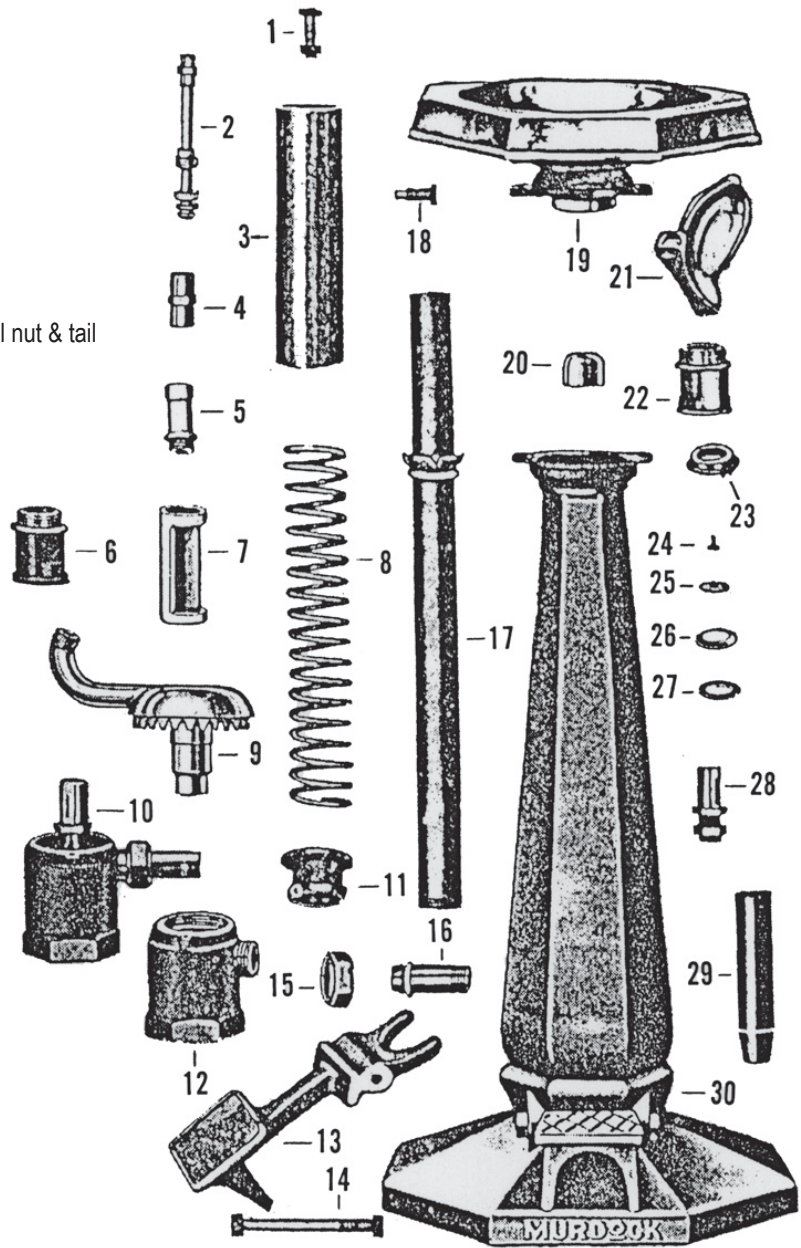
GREENVILLE
800/476-2212

LOOK FOR US ON THE WEB AT: www.TMSSouth.com

WATER COOLER & FOUNTAIN REPAIR

MURDOCK M-30 OCTAGON FOUNTAIN

ITEM	PART #	DESCRIPTION
1	38490250	Top bolt
2	38490350	Automatic flow assy. (items 2 & 4)
3		Spring case & guide
4	38490360	Flow control valve
5	38490370	Valve bonnet
6		Valve body, packed
7	38490380	Cage
8	38490310	Spring
9		Side stream bubbler
10		Valve stem, bottom connection, tail nut & tail
11		Pedal spool
12		Bottom connection
13	38490150	Pedal
14	38490260	Pedal bolt
15		Tail nut
16		Tail
17		Upper waste w/ spring support
18	38490170	Pinch screw
19		Bowl & yoke
20	38490340	Nozzle head
21	38490270	Mouth guard w/ bolts
22	38490160	Valve body only
23	38490180	Valve packing ring
24	38490190	Seat washer screw
25	38490200	Seat washer
26	38490210	Cup washer
27	38490220	Ring washer
28	38490230	Valve stem
29	38490330	1-1/4" waste tube
30		Base - specify 30" or 34"



TMS
TOTAL MAINTENANCE SOLUTIONS

HOUSTON
 800/392-5066

ORLANDO
 800/327-3022

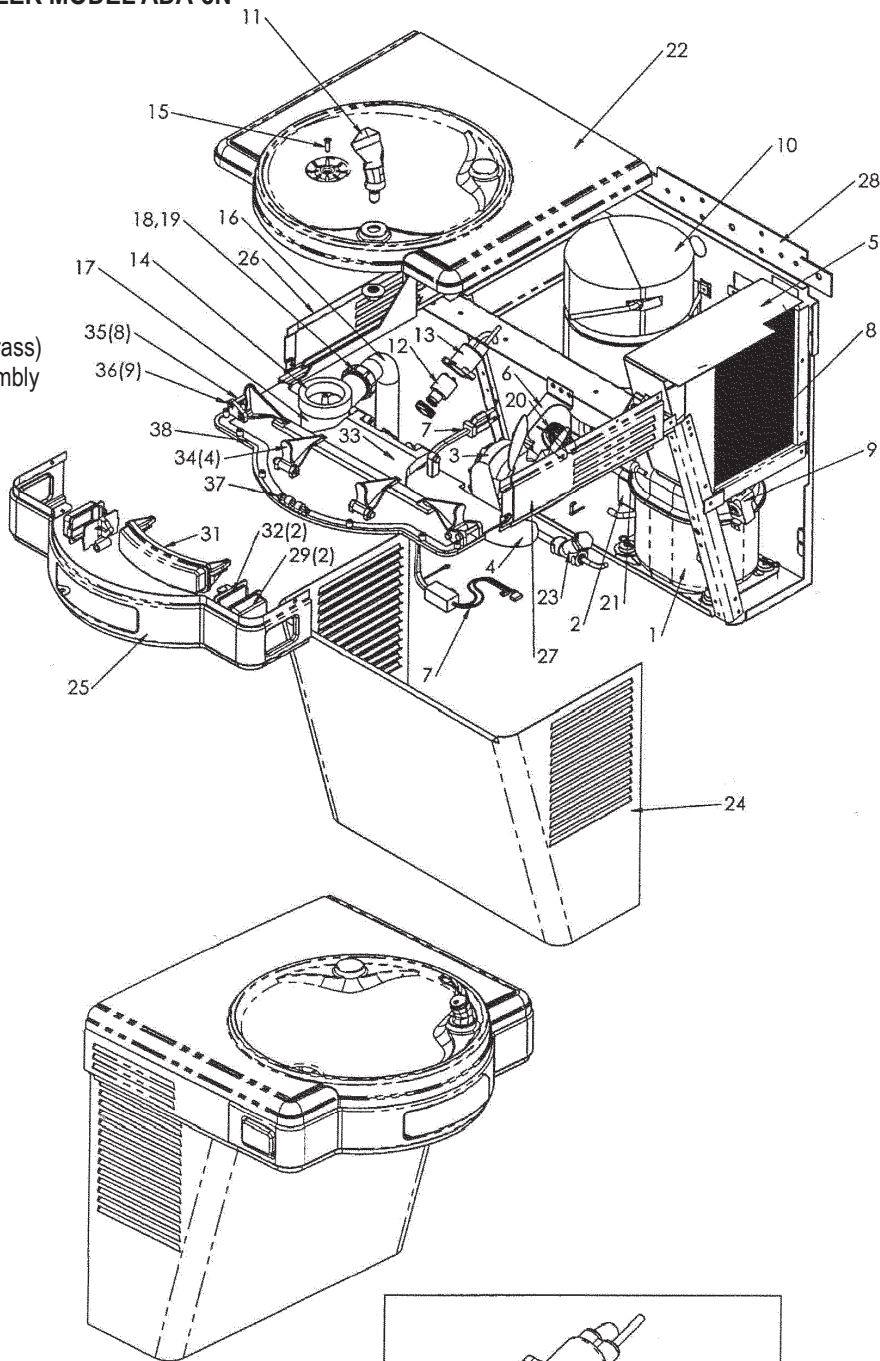
GREENVILLE
 800/476-2212

LOOK FOR US ON THE WEB AT: www.TMSSouth.com

WATER COOLER & FOUNTAIN REPAIR

SUNROC WALL MOUNTED WATER COOLER MODEL ADA-8N

ITEM	PART #	DESCRIPTION
1		Compressor
2		Relay
3		Overload
4		Fan blade
5		Fan shroud
6		Fan bracket
7		Wall cord
8		Condensor
9	38837603	Thermostat
10		Evaporator assembly
11	40700168	Bubbler spout (lead free brass) Safety-Gard™ spout assembly
12	40700150	Cartridge
13		Water control assembly
14	38835671	Drain washer
15	38836561	Drain screw
16		Tailpiece
17		Drain adapter
18		Slip joint nut
19		Slip joint washer
20		Capillary tube
21		Drier
22		Stainless steel top
23	38830938	Y strainer
24		Stainless steel wrapper Granite wrapper
25		Stainless steel front apron Granite front apron
26		Stainless steel left panel Granite left panel
27		Stainless steel right panel Granite right panel
28		Hanger bracket
29	38830194	Side handle mechanism
31	38836543	Front handle mechanism
32	38830194	Side handle mechanism
33		Cartridge rocker
34		Handle rocker
35		Side handle pins
36		Pin clips
37		Front handle pin
38		Base plate



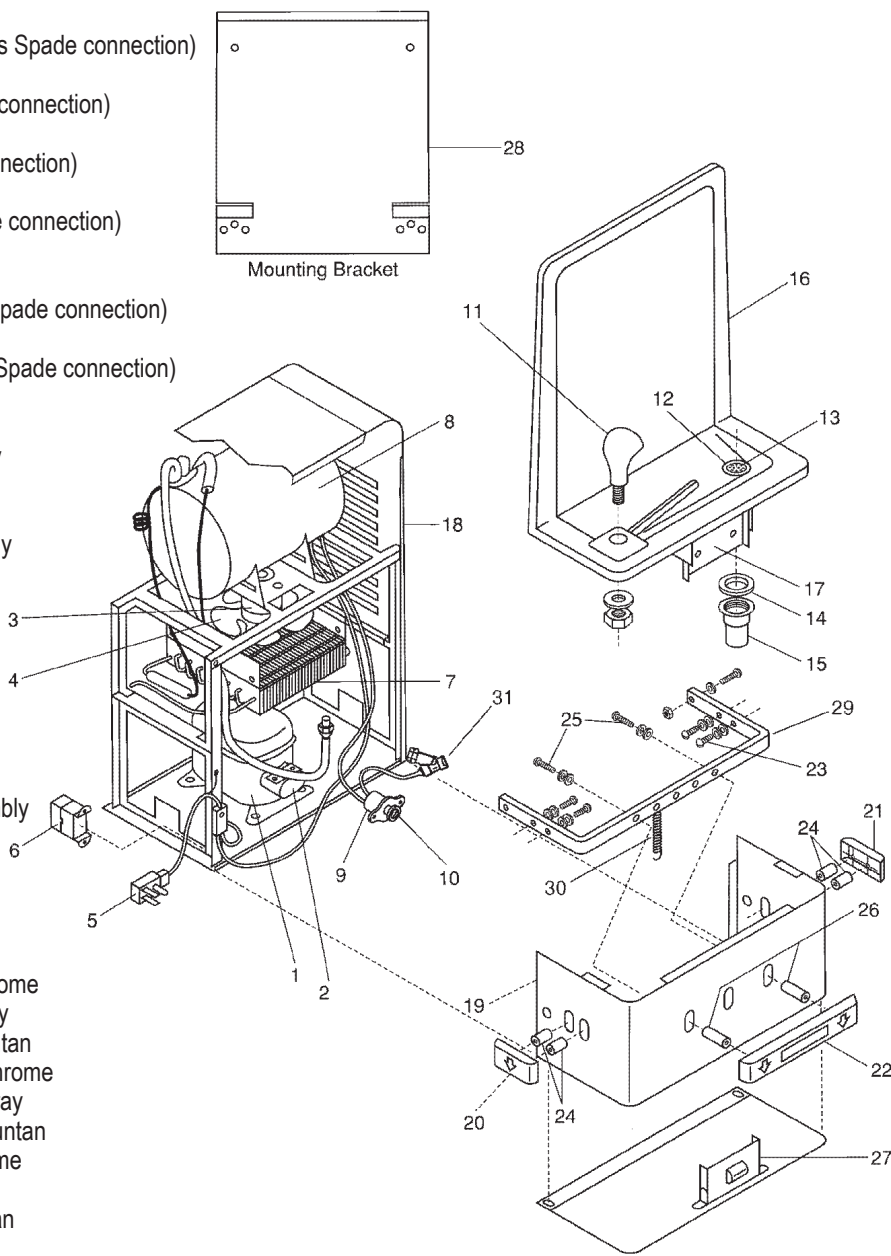
Note:
 Item 13 - Cartridge Ass'y includes:
 (1) Item 12 - Flow Regulator
 (1) Retaining Nut
 (1) Connecting lines

WATER COOLER & FOUNTAIN REPAIR

SUNROC WALL MOUNTED WATER COOLER MODEL HCWC-8F & HCWC-8

ITEM PART # DESCRIPTION

- 1 Compressor R134A
- 2 Compressor 115V (uses Spade connection)
- 3 Overload
- 4 Overload (uses Spade connection)
- 5 Relay
- 6 Relay (uses Spade connection)
- 7 Fan motor
- 8 Fan blade
- 9 Wiring harness
- 10 Wiring harness (uses Spade connection)
- 11 38836241 Cold thermostat
- 12 Cold thermostat (uses Spade connection)
- 13 Condenser
- 14 Evaporator
- 15 Water control assembly
- 16 40700150 Cartridge
- 17 40700168 Cobra spout (metal)
- 18 Safety-Gard™ assembly
- 19 Drain fitting
- 20 38836876 Drain grid
- 21 38835982 Drain washer
- 22 Tailpiece
- 23 Basin
- 24 Activator plate
- 25 Stainless steel wrapper assembly
- 26 Granite wrapper assembly
- 27 Stainless steel complete apron assembly
- 28 Granite complete apron assembly
- 29 38831503 Left side pushbar – chrome
- 30 38831505 Left side pushbar – gray
- 31 38831501 Left side pushbar – suntan
- 32 38831502 Right side pushbar – chrome
- 33 38831504 Right side pushbar – gray
- 34 38836315 Right side pushbar – suntan
- 35 38835956 Center pushbar – chrome
- 36 38835618 Center pushbar – gray
- 37 38835635 Center pushbar – suntan
- 38 38830244 Sidebar screw
- 39 40700177 Spacer for sidebar
- 40 38830595 Frontbar screw
- 41 38830596 Spacer for frontbar
- 42 Pivot plate
- 43 Mounting bracket
- 44 Handle frame
- 45 Extension spring
- 46 38830938 Y strainer



**TOTAL
MAINTENANCE
SOLUTIONS**

HOUSTON
800/392-5066

ORLANDO
800/327-3022

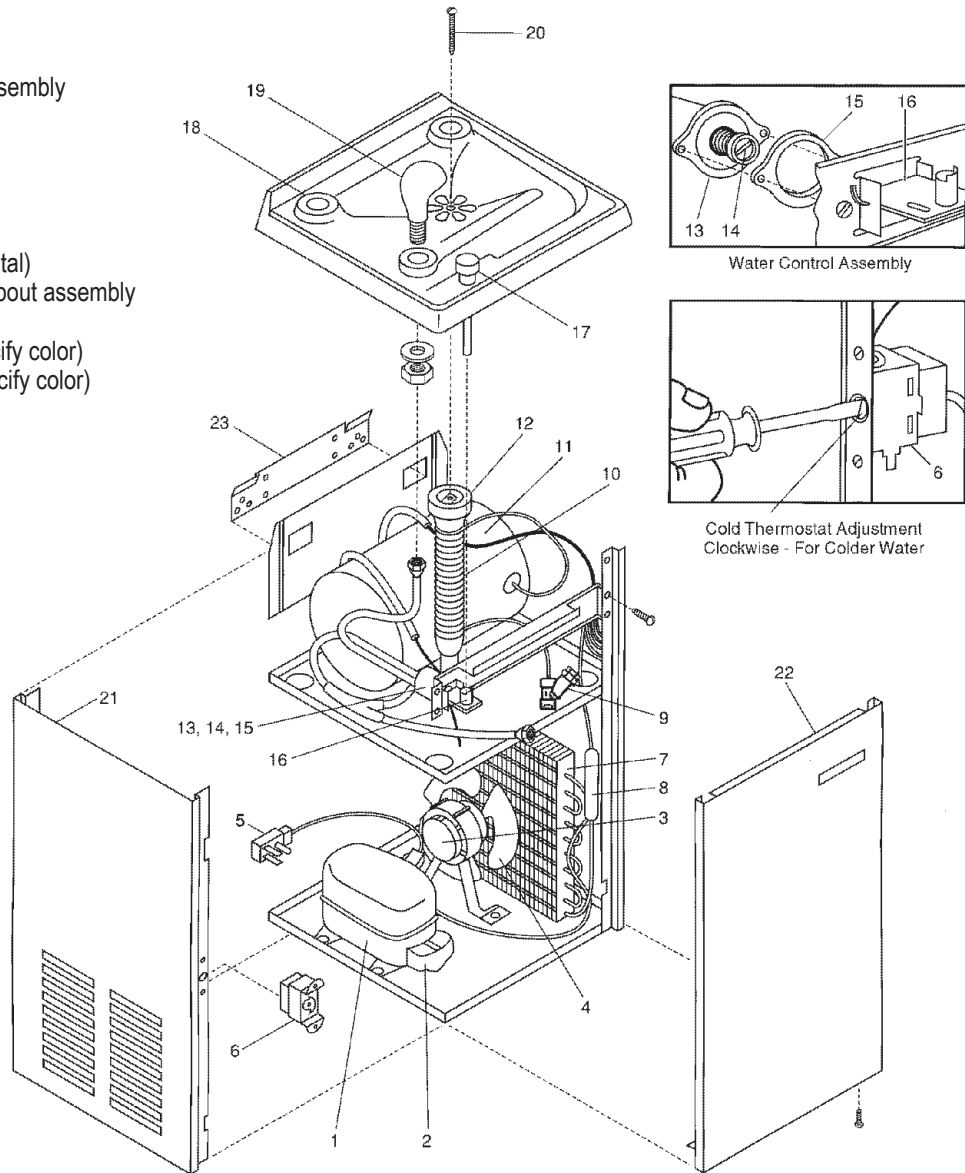
GREENVILLE
800/476-2212

LOOK FOR US ON THE WEB AT: www.TMSSouth.com

WATER COOLER & FOUNTAIN REPAIR

SUNROC WALL MOUNTED WATER COOLER MODEL NSW-8

ITEM	PART #	DESCRIPTION
1		Compressor
2		Overload Relay
3		Fan motor
4		Fan motor (uses Spade connection)
5		Fan blade
6		Wiring harness
6	38836241	Wiring harness (uses Spade connection)
7		Cold thermostat
7		Cold thermostat (uses Spade connection)
8		Condenser
9		Drier
9	38830938	Y strainer
10		Precooler
11		Evaporator
12	38835671	Drain washer
13		Water control assembly
14	40700150	Cartridge
15	38835240	Fiber washer
16		Toggle lever
17	38837272	Push button
18		Hole cover
19	40700168	Cobra spout (metal)
20	38836762	Safety-Gard™ spout assembly
21		Drain screw
22		Side panel (specify color)
22		Front panel (specify color)
23		Hanger bracket



**TOTAL
MAINTENANCE
SOLUTIONS**

HOUSTON
800/392-5066

ORLANDO
800/327-3022

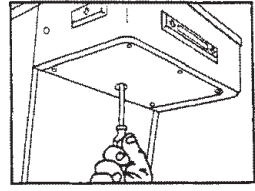
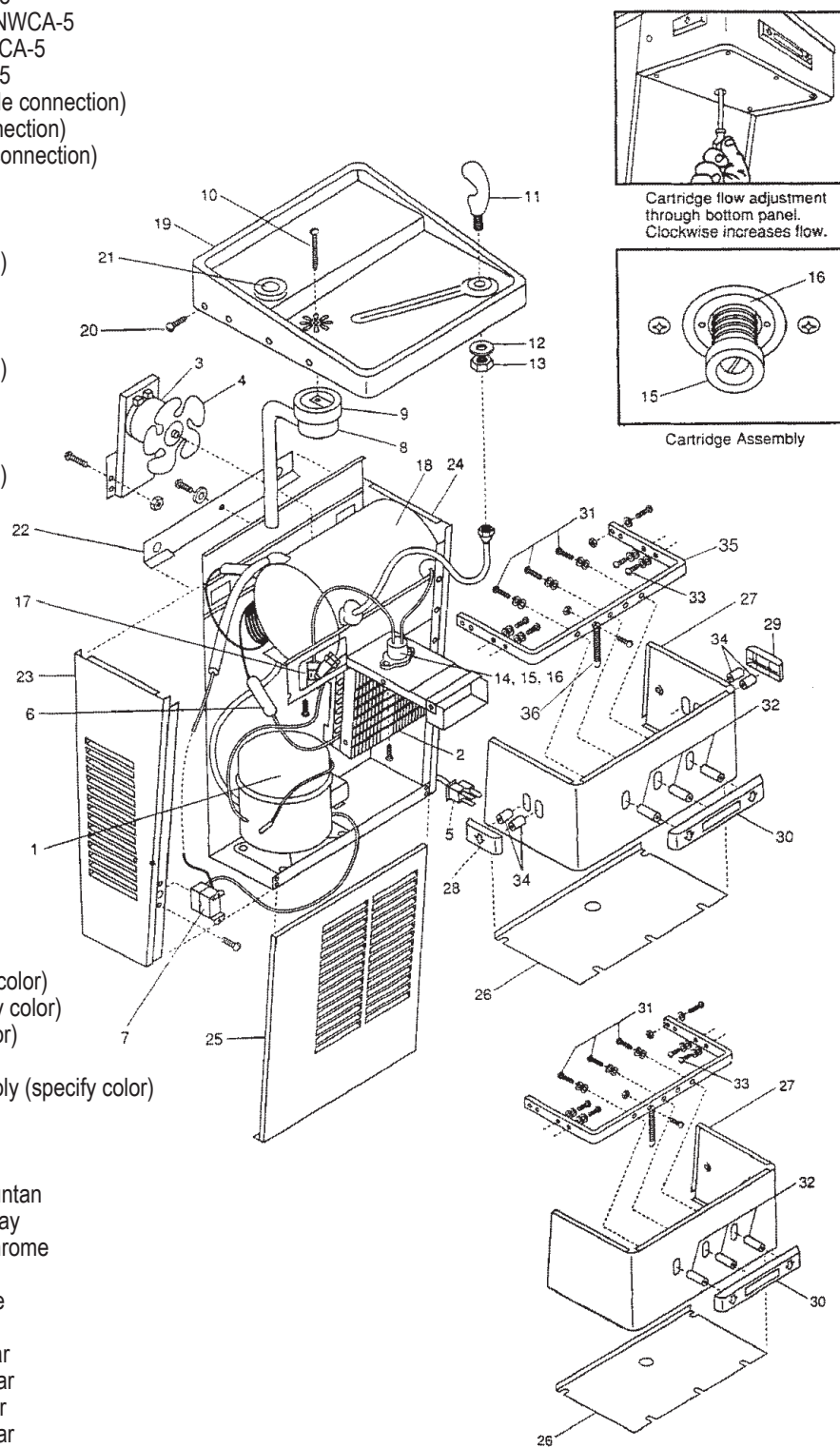
GREENVILLE
800/476-2212

LOOK FOR US ON THE WEB AT: www.TMSSouth.com

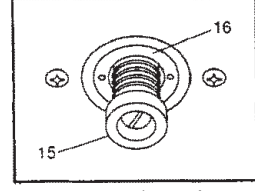
WATER COOLER & FOUNTAIN REPAIR

SUNROC WALL MOUNTED WATER COOLER MODEL NWCA-5, NWCA-5F, NWCA-8, NWCA-8F

ITEM	PART #	DESCRIPTION
1		Tecumseh compressor NWCA-8 Tecumseh overload NWCA-8 Tecumseh relay NWCA-8 Tecumseh compressor NWCA-5 Tecumseh overload NWCA-5 Tecumseh relay NWCA-5 Compressor (uses Spade connection) Relay (uses Spade connection) Overload (uses Spade connection)
2		Condenser
3		Fan motor
4		Fan motor (uses Spade connection)
5		Fan blade
6		Wiring harness Wiring harness (uses Spade connection)
7	38836241	Drier
8		Capillary tube
9	38835671	Cold thermostat (uses Spade connection)
10	38836762	Cold thermostat
11	40700168	Drain Drain washer
12	38838882	Drain washer
13	38838881	Hex head nut
14		Water control assembly
15	40700150	Cartridge
16	38830957	Retainer nut
17	38830938	Y strainer
18		Evaporator
19		Stainless steel top
20		Stainless steel screws
21		Hole cover
22		Hanger bracket
23		Left side panel (specify color)
24		Right side panel (specify color)
25		Front panel (specify color)
26		Bottom panel
27		Complete apron assembly (specify color)
28	38831501	Left side bar – suntan
	38831505	Left side bar – gray
	38831503	Left side bar – chrome
29	38836315	Right side push bar – suntan
	38831504	Right side push bar – gray
	38831502	Right side push bar – chrome
30	38835635	Front push bar – suntan
	38835956	Front push bar – chrome
	38835618	Front push bar – gray
31		Screws for front push bar
32	40700177	Spacers for side push bar
33		Screws for side push bar
34	38830343	Spacers for side push bar
35		Handle frame
36		Extension spring



Cartridge flow adjustment through bottom panel. Clockwise increases flow.



Cartridge Assembly



HOUSTON 800/392-5066 **ORLANDO** 800/327-3022 **GREENVILLE** 800/476-2212
 LOOK FOR US ON THE WEB AT: www.TMSSouth.com

WASHFOUNTAINS



CIRCULAR



SEMI-CIRCULAR



CORNER

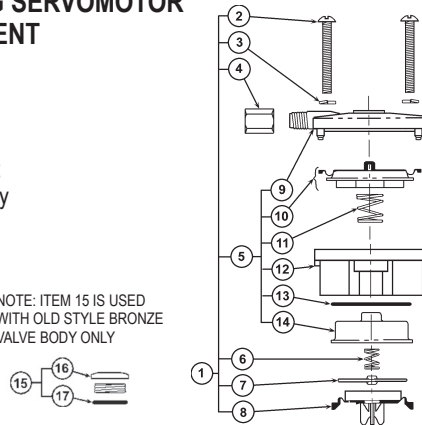


TERRAZZO MODELS

ACORN AIR-CONTROL NON-METERING SERVOMOTOR ASSEMBLY – JANUARY 1984 TO PRESENT

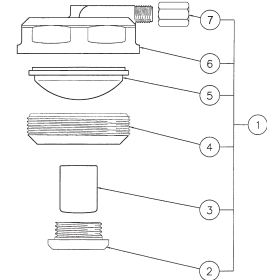
ITEM	PART #	DESCRIPTION
1		Direct acting assembly
2		8-32 x 1-1/4" Phillips screw
3		#8 lockwasher
4	41011087	1/8" plastic compression nut
5		Direct acting motor assembly
6	41011088	Pilot orifice plate spring
7	41011127	Pilot orifice plate assembly
8	41011089	Water diaphragm assembly
9		Direct acting cover plate
10	41011090	Diaphragm assembly
11	41011091	Actuator spring
12		Motor housing
13	41011092	Separator o-ring
14		Separator cup
15		Seat assembly
16		Air-control valve seat
17	41011017	O-ring
18	41011093	Water chamber assembly includes items 6, 7 & 8

NOTE: ITEM 15 IS USED WITH OLD STYLE BRONZE VALVE BODY ONLY



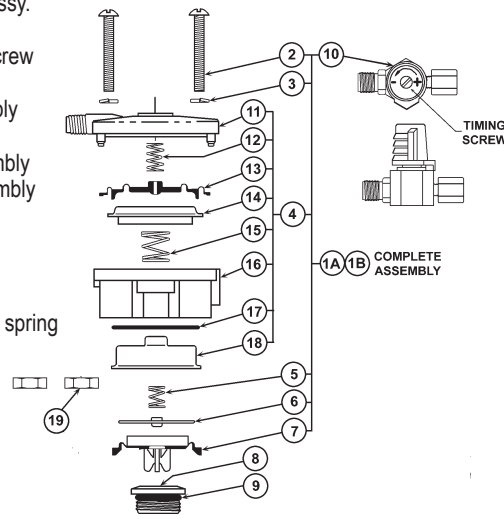
ACORN AIR-TROL FOOT PEDAL ACTUATED BUTTON ASSEMBLY

ITEM	PART #	DESCRIPTION
1		Foot pedal actuated button assembly
2	33015550	Escutcheon
3	33015560	Pushbutton
4		Escutcheon retainer
5	41011109	Diaphragm
6	33015390	Diaphragm retainer
7		Ferrule nut



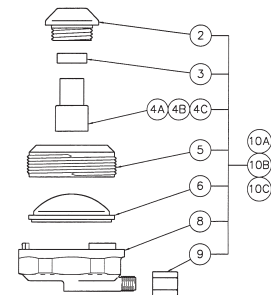
ACORN AIR-CONTROL METERING SERVOMOTOR ASSEMBLY JANUARY 1984 TO PRESENT

ITEM	PART #	DESCRIPTION
1A	41011094	Metering Servomotor assy.
1B		Metering Servomotor assy. (plastic)
2		8-32 x 1-1/4" Phillips screw
3		#8 lockwasher
4		Metering motor assembly
5	41011088	Pilot orifice plate spring
6	41011127	Pilot orifice plate assembly
7	41011089	Water diaphragm assembly
8	41011137	Seat
9	41011017	Seat o-ring
10		Timer assembly
11		Metering cover plate
12		Metering air diaphragm spring
13	41011096	Metering air diaphragm
14		Magnet cup assembly
15	41011091	Actuator spring
16		Motor housing
17	41011092	O-ring
18		Separator cup
19		8-32 Hex nut



TIME-TROL PUSHBUTTON ASSEMBLY (JAN '84 - PRESENT)

ITEM	PART #	DESCRIPTION
2	41011106	Escutcheon
3	33015510	Pushbutton spacer
4A	33015250	Pushbutton sgl. temp
4B	41011108	Pushbutton hot
4C	41011107	Pushbutton cold
5		Escutcheon retainer
6	41011109	Diaphragm
8	33015390	Diaphragm retainer
9		Ferrule nut
10A		Pushbutton side outlet sgl
10B		Pushbutton side outlet hot
10C		Pushbutton side outlet cold



TOTAL MAINTENANCE SOLUTIONS

HOUSTON
800/392-5066

ORLANDO
800/327-3022

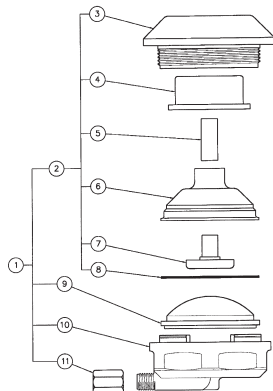
GREENVILLE
800/476-2212

LOOK FOR US ON THE WEB AT: www.TMSSouth.com

WASHFOUNTAINS

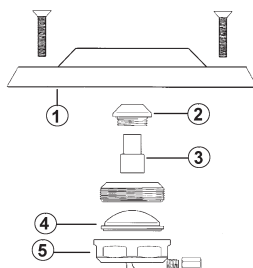
AIR-TROL FOOTBUTTON ASSEMBLY

ITEM	PART #	DESCRIPTION
1		Complete footbutton assy.
2	33015220	Footbutton guide assy.
3	33015160	Escutcheon
4	33015180	Pushbutton
5	33015190	Tubular guide
7	33015170	Diaphragm actuator
8		Friction ring
9	41011109	Diaphragm
10		Diaphragm retainer
11		Compression nut



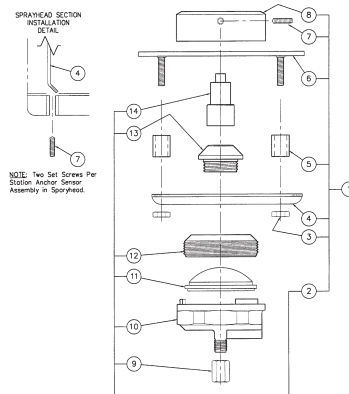
AIR-CONTROL PUSHBUTTON ASSEMBLY

ITEM	PART #	DESCRIPTION
1	33015160	Escutcheon plate
2	41011106	Escutcheon
3	33015250	Pushbutton sgl. temp
	41011107	Pushbutton cold
	41011108	Pushbutton hot
4	41011109	Diaphragm
5	33015390	Diaphragm retainer



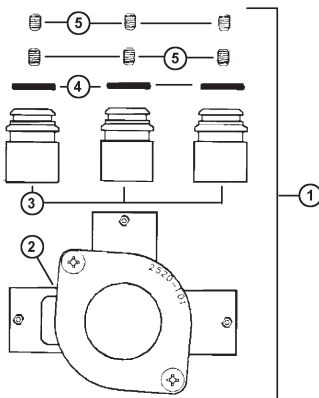
HAND BUTTON ASSEMBLY TERRAZZO LAVATORIES

ITEM	PART #	DESCRIPTION
1	33016120	Handbutton assembly
2		Air-control assembly
3		Hex nut
4	33016130	Plate holder
5		Spacer
6		Air-control front plate weld assembly
7		Set screw
8	33016140	Diamond pushbutton
9		Ferrule nut
10		Diaphragm retainer
11	41011109	Diaphragm
12		Escutcheon retainer
13		Escutcheon
14		Terrazzo pushbutton

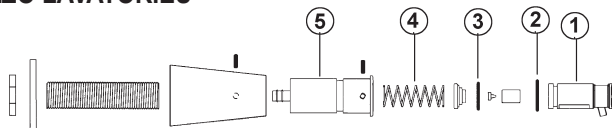


SAFTI-THERM CONVERSION FOR WASHFOUNTAINS REPLACES PART #2520-000-001

ITEM	PART #	DESCRIPTION
1	33015950	Complete assembly
2	33015040	Valve assembly
3	33015850	Adapter 1/2" C x male
4	41011097	O-ring
5	33010386	Set screw



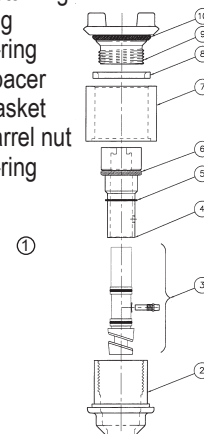
METERING LIQUID PUMP SOAP DISPENSER FOR TERRAZZO LAVATORIES



ITEM	PART #	DESCRIPTION
1	33010650	Plunger assembly
2	41011017	O-ring
3	33010399	O-ring
4	33010660	Spring
5	33010680	Soap dispenser cartridge

VERTICAL/GRAVITY SOAP DISPENSER

ITEM	PART #	DESCRIPTION
1	41011220	Lotion soap dispenser
2		Barrel for powdered soap
3	41011221	Soap dispenser
4		Dispenser adapter
5		Retaining ring
6		O-ring
7		Spacer
8		Gasket
9	41011222	Barrel nut
10	33010432	O-ring



HOUSTON
800/392-5066

ORLANDO
800/327-3022

GREENVILLE
800/476-2212

LOOK FOR US ON THE WEB AT: www.TMSSouth.com

WASHFOUNTAINS

HORIZONTAL PUMP TYPE SOAP DISPENSER

ITEM	PART #	DESCRIPTION
1		Pump soap dispenser assembly
2		Liquid soap plunger assembly
3		Screw
4		Liquid soap adapter ell
5		Tube fitting
6	41011223	Liquid soap plunger cartridge
7		Valve body
8		Screw
9		Cone point set screw
10		Cup point set screw
11	40950028	O-ring
12	33010648	Plunger
13	41011017	O-ring
14		Compression spacer
15		Duckbill
16	33010399	O-ring
17	33010679	Adapter
18	33010660	Spring



THERMOSTATIC MIXING VALVE FOR WASHFOUNTAIN

ITEM	PART #	DESCRIPTION
1	33015044	Safti-Therm bonnet
2	33015052	Return comp. spring
3	33010350	Retainer ring
4	33010376	Set screw
5	33015048	Power pill shaft
6	33015050	Overtravel comp. spring
7	33015054	Power pill
8	33014078	O-ring

Thermostatic Mixing Valve
(Washfountain MXT)
Obsolete 1/1/90 Use
PART # 33015040

ACORN WASH-WARE NOZZLE ASSEMBLIES

ITEM	PART #	DESCRIPTION
1A	33017818	Complete nozzle assembly – straight
1B	33017822	Complete nozzle assembly – 20° angle
1C	33017828	Complete nozzle assembly – straight
1D	33017832	Complete nozzle assembly – 20° angle
1E		Complete nozzle assembly – 30° angle
2A	33017804	.5 GPM Flo-Control nozzle assembly – female
2B	33017816	.5 GPM Flo-Control nozzle assembly – male
3A		Straight nozzle adapter
3B		20° nozzle adapter
4A		Straight nozzle adapter
4B	33017824	20° nozzle adapter
4C		30° nozzle adapter
5		3/4" – 28 brass nut
6	41011122	1/4" Compression nut
7		1/8" NPT x 1/4" Compression ell

TERRAZO NOZZLE ASSEMBLY

ITEM	PART #	DESCRIPTION
1		Terrazo nozzle assembly
2	33017804	Nozzle
3		Nozzle adapter
4	41011180	Black rubber washer
5	41011179	Retainer clip
6		Lockable ball joint nut
7		Ball joint
8		Waterproof paper washer
9		Nozzle adapter
10	40950028	O-ring
11		Cone point set screw
12		Screw
13		O-ring
14	41011175	Set screw
15	33010380	Set screw
16		Spanner key



HOUSTON
800/392-5066

ORLANDO
800/327-3022

GREENVILLE
800/476-2212

LOOK FOR US ON THE WEB AT: www.TMSSouth.com

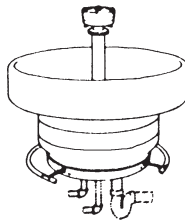
WASHFOUNTAINS



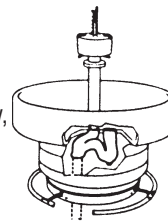
COMPLETE WASHFOUNTAINS

When ordering specify:

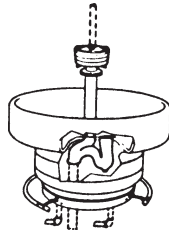
- 1) Circular, Semi-Circular, or Corner
- 2) Size 54" or 36"
- 3) Pre-Cast, Stainless Steel or Bradglas
- 4) Type of rough in 1, 2, 3, 4, 5.
- 5) Powdered or liquid soap dispenser or No Soap Dispenser.



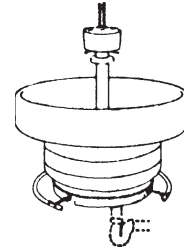
TYPE 1
Supplies from below,
vent off drain



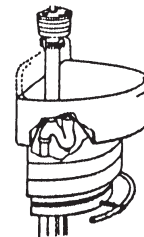
TYPE 2
Supplies from above
centrally rising vent.
Special trap furnished.



TYPE 3
Supplies from
below centrally rising
vent. Special trap
furnished.



TYPE 4
Supplies from above,
vent off drain

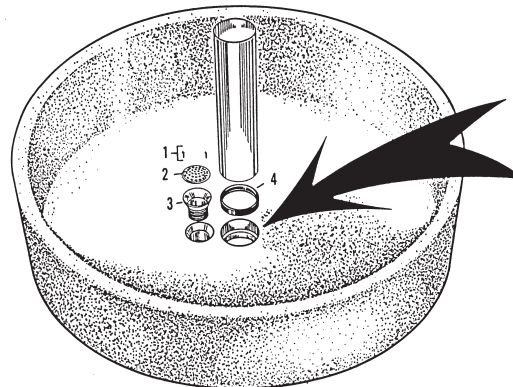


TYPE 5
Supplies from below
or through wall. Vent
off drain through floor
or wall

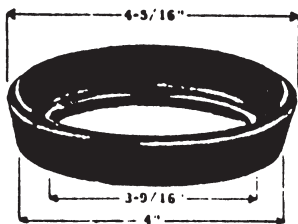
WASHFOUNTAIN FITTINGS REPAIR PARTS (2 HOLE BOWLS)

ITEM	PART #	DESCRIPTION
1	50100003	Strainer Screw
2	37081096	Strainer Screen
3	37081012	Drain spud, pre-cast ftn.
	37081013	Drain spud, metal ftn.
*	37081094	Drain spud locknut
4A	37081054	Support tube gasket, pre-cast ftn.
4B	37081052	Support tube gasket, metal ftn.

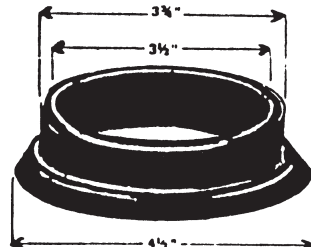
*Not Illustrated



4" DIAMETER
CENTER HOLE
FOR SUPPLIES.
2" OFF CENTER
HOLE FOR
DRAIN.



4A



4B

Pre-cast cracked and chipped bowl repair kit for white Marmorite and Granito bowls.
PART # 37082000

Universal Pre-cast washfountain refinishing kit. For use on bowls where the cement binder & stone aggregate is still in tact. Kit does not contain portland cement.
PART # 37082010



**TOTAL
MAINTENANCE
SOLUTIONS**

HOUSTON
800/392-5066

ORLANDO
800/327-3022

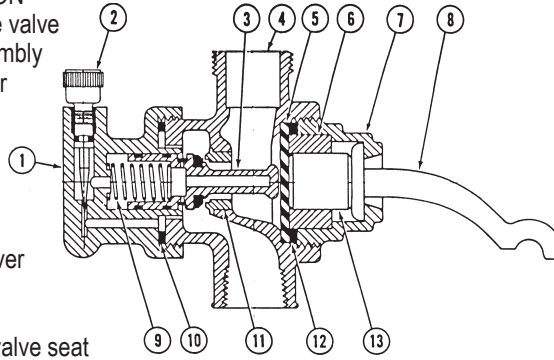
GREENVILLE
800/476-2212

LOOK FOR US ON THE WEB AT: www.TMSSouth.com

WASHFOUNTAINS

BRADLEY FOOT VALVE (NOV 1973 TO JAN 2003) – OBSOLETE

ITEM	PART #	DESCRIPTION
1	37081008	Body-needle valve
2	37081126	Needle assembly
3	37081146	Valve plunger assembly
4	37082435	Valve body
5	41021164	Diaphragm
6	37081100	Guide
7	37081010	Bottom nut
8	41021165	Operating lever
9	37081068	Spring
10	37081044	Gasket
11	37081016	Renewable valve seat
12	37081034	Fibre washer
13	37081020	Operating plunger



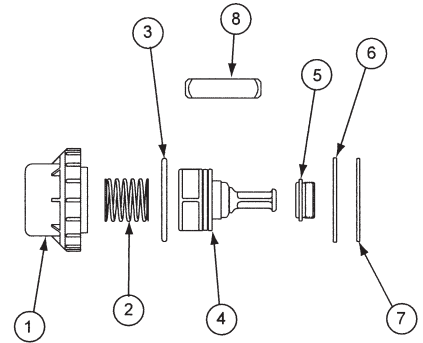
Complete foot valve – no longer available, order new style 40120098

BRADLEY FOOT VALVE REPAIR KIT (FOR VALVES JAN 2003 – PRESENT)

PART # 40120212

Includes the following:

ITEM	DESCRIPTION
1	Foot valve cover
2	Spring
3	O-ring
4	Plunger assembly
5	Valve seat
6	Diaphragm
7	Washer – black phenolic
8	Key – valve seat

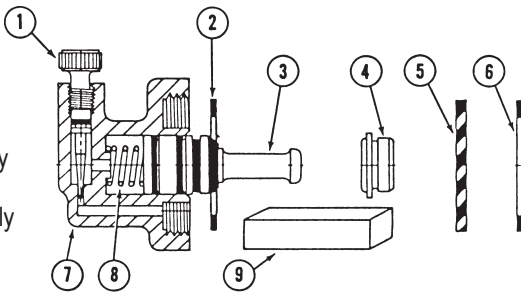


BRADLEY FOOT VALVE REPAIR KIT (FOR VALVES NOV. 1973 – JAN 2003)

PART # 40120102

Includes the following:

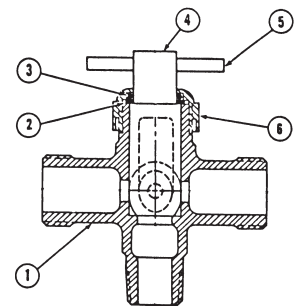
ITEM	PART #	DESCRIPTION
1	37081126	Needle assembly
2	37081044	Gasket
3	37081146	Plunger assembly
4	37081016	Valve seat
5	41021164	Diaphragm
6	37081034	Fibre washer
7	37081008	Body-needle valve
8	37081068	Spring
9	37081064	Key-valve seat



Repairs all foot valves furnished since April 1943 to January 2003

MANUAL MIXING VALVE

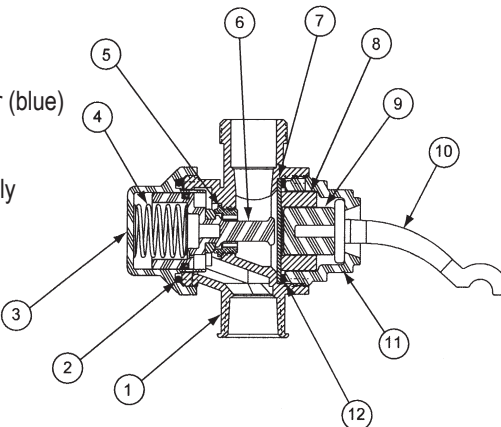
ITEM	PART #	DESCRIPTION
1	S73-001	Mixing valve body
2	41021094	*Fibre washer
3	40950026	*O-Ring
4	37081022	*Mixing valve core
5	37081080	*Roll pin
6	37081030	*Bonnet
	40120219	Complete valve – brass
	37081302	Complete valve – chrome
*	40120245	Mixing valve repair kit



BRADLEY FOOT VALVE (JAN 2003 TO PRESENT)

Complete valve PART # 40120098

ITEM	PART #	DESCRIPTION
1		Foot valve body
2		O-ring
3		Foot valve cover (blue)
4		Spring
5		Valve seat
6		Plunger assembly
7	41021164	Diaphragm
8	37081100	Plunger guide
9	37081020	Plunger
10	41021165	Operating lever
11	37081010	Bottom nut
12	37081034	Washer – black phenolic



**TOTAL
MAINTENANCE
SOLUTIONS**

HOUSTON
800/392-5066

ORLANDO
800/327-3022

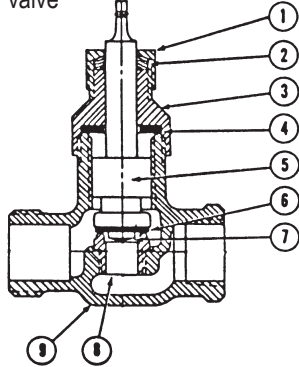
GREENVILLE
800/476-2212

LOOK FOR US ON THE WEB AT: www.TMSSouth.com

WASHFOUNTAINS

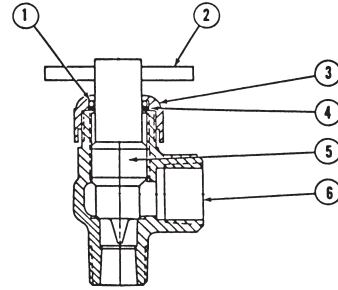
GLOBE VOLUME CONTROL VALVE HAND CONTROL WASHFOUNTAINS

ITEM	PART #	DESCRIPTION
1	37082266	Packing nut
2	37081220	*Packing
3	37082513	Bonnet
4	37082525	*Fibre washer
5	37082470	Valve core
6	37082590	*Bibb washer
7	37082952	*Screw
8	37082426	*Valve seat
9	118-032B	Valve body
	37081104	Complete valve-brass
*	40120245	Repair kit for valve



ANGLE VOLUME CONTROL VALVE

ITEM	PART #	DESCRIPTION
1	40950026	*O-Ring
2	37081080	*Roll pin
3	37081030	*Bonnet
4	41021094	*Fibre washer
5	37081024	*Valve core
6	118-033	Valve body
	40120220	Complete valve - brass
	37081323	Complete valve - chrome
*	40120246	Volume control repair kit



Tubing!

We carry a variety of tubing for your plumbing needs.

POLYETHYLENE TUBING

For water

- Made from non-toxic ingredients conforming to FDA and USDA standards
- Does not impart a taste or odor

(SOLD BY THE FOOT)

PART #	DESCRIPTION
40800586	1/8" ID x 1/4" OD, natural
40621198	1/4" ID x 3/8" OD, natural
33002143	3/8" ID x 1/2" OD, natural

POLYURETHANE TUBING

For air

- Clamps not required when used with properly designed barbed fittings at pressures of 105 psi or less
- Resistant to weathering, kinking, tearing, abrasion, impact, and radiation exposure
- Wide range of temperature resistance: -90°F to 175°F

(SOLD BY THE FOOT)

PART #	DESCRIPTION
40800587	1/16" ID x 1/8" OD, red
40800564	1/16" ID x 1/8" OD, blue
33000528	1/16" ID x 1/8" OD, black

NEED A SPECIAL SIZE? SPECIAL ORDERS AVAILABLE!



**TOTAL
MAINTENANCE
SOLUTIONS**

HOUSTON
800/392-5066

ORLANDO
800/327-3022

GREENVILLE
800/476-2212

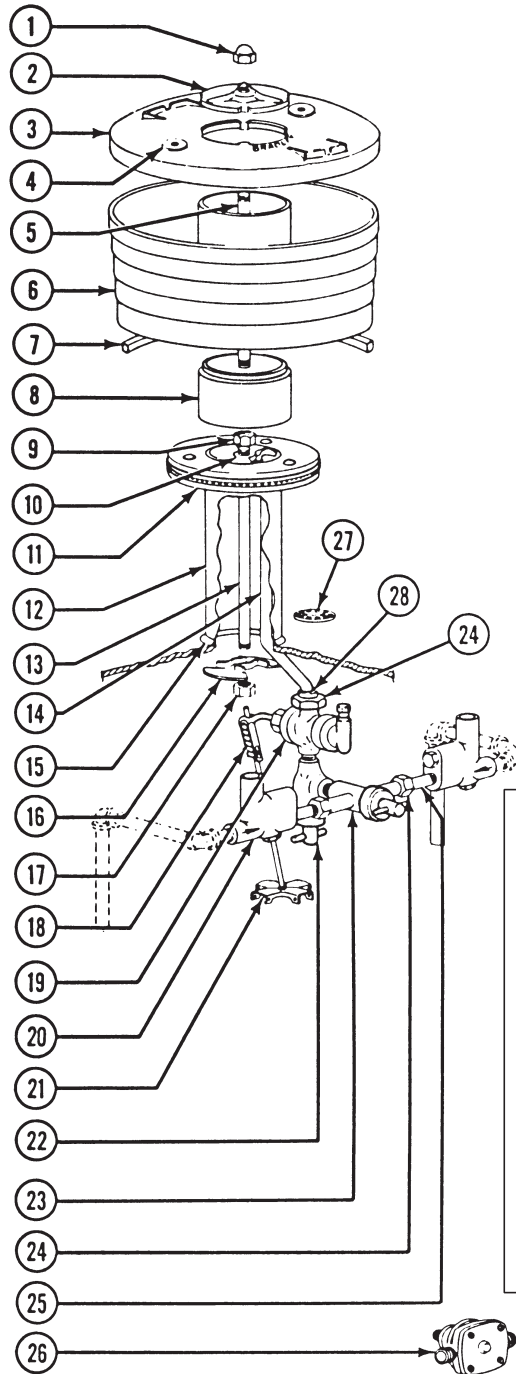
LOOK FOR US ON THE WEB AT: www.TMSSouth.com

WASHFOUNTAINS

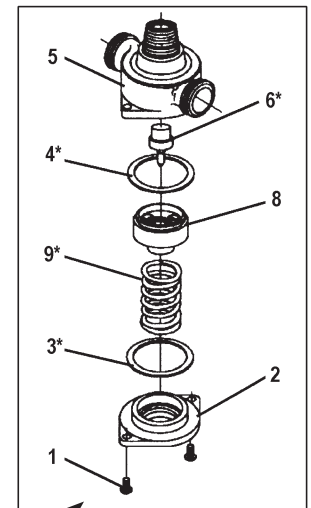


AFB & AFC TYPES

ITEM	PART #	DESCRIPTION
1	37081154	Locking cap nut
2	37081002	Dispenser cover
3	37082235	Nylon dispenser lid
	37081795	Cyclolac dispenser lid
4	37081120	Nylon filler hole cap
5	37083260	Upper tie rod
6	37082663	Nylon dispenser container
7	37081116	Powdered soap valve
	37081409	Liquid soap valve-brass
	37081417	Liquid soap valve-celcon
8	37081014	Nylon support tube
	37082392	Cyclolac support tube
9	37082076	Locking coupling nut
10	37082913	Upper tie bar
11	37081346	Sprayhead
12	37082012	Sprayhead support tube- 54"
	37082013	Sprayhead support tube- 36"
13	37083252	Lower tie rod- 54"
	37083251	Lower tie rod- 36"
14	37082386	Supply pipe, pre-cast bowl 54"
	37082385	Supply pipe, pre-cast bowl 36"
	37082384	Supply pipe, metal bowl 54"
	37082383	Supply pipe, metal or Bradglas 36"
	37082399	Supply pipe. Bradglas bowl 54"
15	37081052	Support tube gasket, metal
	37081054	Support tube gasket, all other
16	37082912	Lower tie bar
17	37082078	Locking hex nut
18	41021166	Operating rod assembly., std. height
	37081123	Operating rod assembly., juv. height
19	40120098	Foot valve
20	40120103	Comb. stop, strainer, check valve
21	37081084	Operating cross
22	40120220	Volume control valve
23	40120219	Manual mixing valve
24	37082268	Tail piece nut
25	37082640	Tail piece
*	37082521	Tail piece washer
26	37081306	Thermostatic mixing valve
27	37081096	Strainer
*	37081088	Strainer screw
*	37081012	Drain spud, pre-cast or Bradglas
*	37081013	Drain spud, metal bowl
*	37081094	Drain spud locking nut
28	37082642	Foot valve tail piece



* Repair kit for thermostatic mixing valve
PART # 37081806



*NOT ILLUSTRATED

Items 1 through 10 comprise a complete soap dispenser assembly. For a complete assembly order as follows:

- 37081475 Nylon LSD (White nylon container and support tube, black nylon lid and filler hole caps)
- 37081484 Nylon PSD (White nylon container and support tube, black nylon lid and filler hole caps)
- 37081521 Metal LSD (Cyclolac container enclosed in S/S and chrome plated cyclolac support tube, lid & filler hole caps)
- 37081530 Metal PSD (Cyclolac container enclosed in S/S and chrome plated cyclolac support tube, lid & filler hole caps)

For washfountains less soap dispensers substitute PART # 37082235 for item # 2 and delete items 3 through 10.



**TOTAL
MAINTENANCE
SOLUTIONS**

HOUSTON
800/392-5066

ORLANDO
800/327-3022

GREENVILLE
800/476-2212

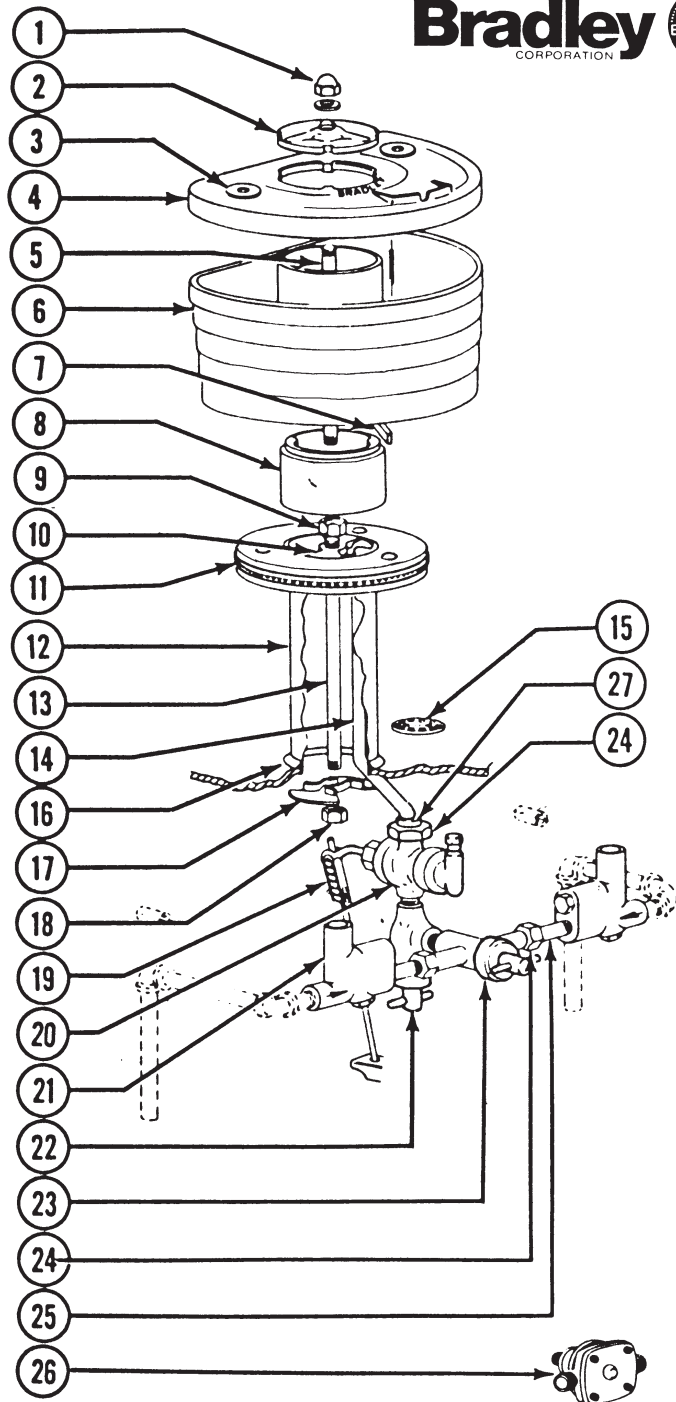
LOOK FOR US ON THE WEB AT: www.TMSSouth.com

WASHFOUNTAINS



CFC TYPES

ITEM	PART #	DESCRIPTION
1	37081154	Locking cap nut
2	37081002	Dispenser cover
3	37081120	Nylon filler hole cap
	37081421	Cyclac filler hole cap
4	37082236	Nylon dispenser lid
5	37083260	Upper tie rod
6	37082664	Nylon dispenser container
	37081796	Cyclac dispenser container
7	37081116	Powdered soap valve
	37081409	Liquid soap valve-brass
	37081417	Liquid soap valve-celcon
8	37081014	Nylon support tube
	37082392	Cyclac support tube
9	37082076	Locking coupling nut
10	37082913	Upper tie bar
11	40401010	Sprayhead, CFB, CFC
	37081349	Sprayhead, KFC only 54"
12	37082012	Sprayhead support tube 54"
	37082013	Sprayhead support tube 36"
13	37083252	Lower tie rod 54"
	37083251	Lower tie rod 36"
14	37082386	Supply pipe, pre-cast bowl 54"
	37082385	Supply pipe, pre-cast bowl 36"
	37082384	Supply pipe, metal bowl 54"
	37082383	Supply pipe, metal or Bradglas 36"
	37082399	Supply pipe, Bradglas bowl 54"
15	37081096	Strainer
*	37081088	Strainer screw
*	37081012	Drain spud, pre-cast or Bradglas
*	37081013	Drain spud, metal bowl
*	37081094	Drain spud locking nut
16	37081052	Support tube gasket, metal
	37081054	Support tube gasket, all other
17	37082912	Lower tie bar
18	37082078	Locking hex nut
19	41021166	Operating rod assy., std. height
	37081123	Operating rod assy., juv. height
20	40120098	Foot valve
21	40120103	Comb. stop, stainer, check valve
22	40120220	Volume control valve
23	40120219	Manual mixing valve
24	37082268	Tail piece nut
	37082640	Tail piece
*	37082521	Tail piece washer
26	37081306	Thermostatic mixing valve
27	37082642	Foot valve tail piece



*NOT ILLUSTRATED

Items 1 through 10 comprise a complete soap dispenser assembly. For a complete assembly, order as follows:

37081503	Nylon LSD (White nylon container and support tube, black nylon lid and filler hole caps)
37081512	Nylon PSD (White nylon container and support tube, black nylon lid and filler hole caps)
37081539	Metal LSD (Cyclac container enclosed in S/S and chrome plated cyclac support tube, lid & filler hole caps)
37081548	Metal PSD (Cyclac container enclosed in S/S and chrome plated cyclac support tube, lid & filler hole caps)

For washfountains less soap dispensers substitute PART # 37082235 for item no. 2 and delete items 3 through 10.



**TOTAL
MAINTENANCE
SOLUTIONS**

HOUSTON
800/392-5066

ORLANDO
800/327-3022

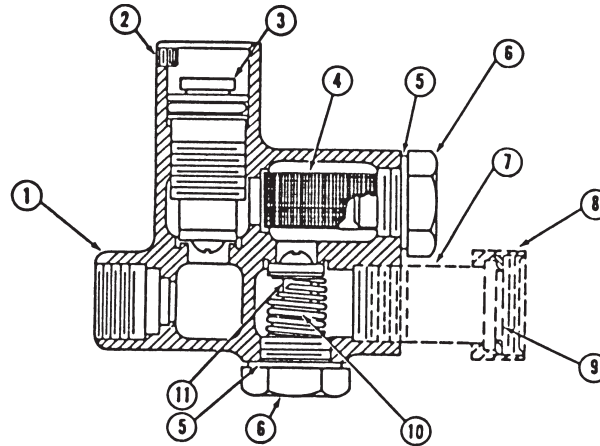
GREENVILLE
800/476-2212

LOOK FOR US ON THE WEB AT: www.TMSSouth.com

WASHFOUNTAINS

BRADLEY COMBINATION CHECK VALVE ASSEMBLY

ITEM	PART #	DESCRIPTION
1	118-039	Valve body-brass
2	37082946	Set screw
3	37081124	Stop assy.-Celcon
	37081125	Stop assy.-brass
4	37082904	Screen*
5	37081033	Fibre washer*
6	37081082	Plug - brass*
7	37082640	Tail piece - brass
8	37082268	Tail piece nut - brass
9	37082521	Tail piece washer*
10	37082669	Spring*
11	41021103	Check assy.*
*	41021068	Repair kit for check valve

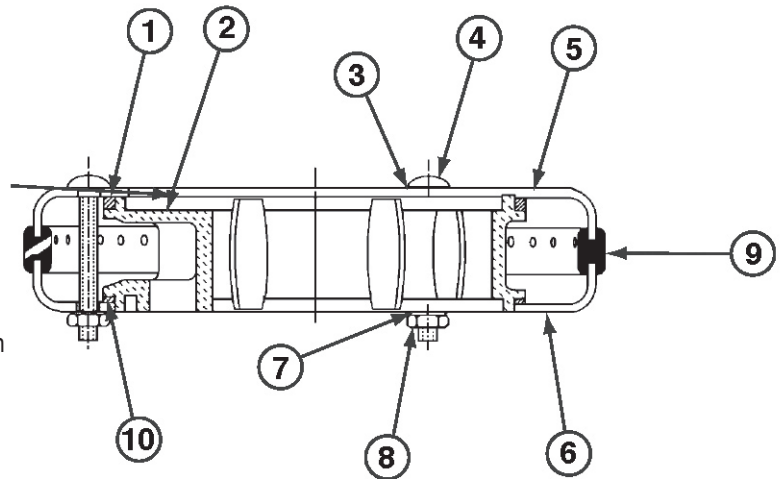


40120103
BRASS VALVE ONLY

40120211
BRASS VALVE WITH
TAILPIECES, NUTS &
WASHERS

SPRAYHEADS: STANDARD W/ RUBBER SPRAY RING GROMMET

ITEM	PART #	DESCRIPTION
1	40120244	Gasket (comes in kit only)
2	37082698	Sprayhead manifold
3	37082524	Fibre washer
4	37082973	Carriage bolt
5	37082419	Sprayhead top
6	37082425	Sprayhead bottom
7	40121170	Nylon washer
8	37083002	Nut
9	37081036	Spray ring grommet, circle washfountain
9	37081037	Spray ring grommet, semi washfountain
9	37081039	Spray ring grommet, corner washfountain



*Furnished Since April 1972

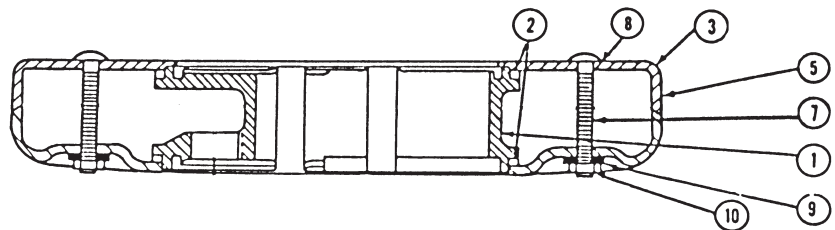
COMPLETE SPRAYHEADS

PART #	DESCRIPTION	GROMMET #
37081346	Circle, hand or foot control	37081036
37081347	Semi, hand control	37081037
40401010	Semi, foot control	37081037
37081349	Corner, foot control	37081039
37081350	Corner, hand control	37081039

REPAIR KIT FOR SPRAYHEAD
ORDER PART # 40120244

SPRAYHEADS: UNITS WITHOUT RUBBER GROMMET

FURNISHED AS STANDARD PRIOR
TO APRIL 1972 AND CURRENTLY
FOR BARRIER-FREE UNITS



REPAIR PARTS NO LONGER AVAILABLE
ORDER COMPLETE NEW STYLE SPRAYHEAD



**TOTAL
MAINTENANCE
SOLUTIONS**

HOUSTON
800/392-5066

ORLANDO
800/327-3022

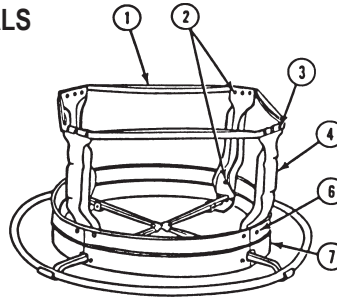
GREENVILLE
800/476-2212

LOOK FOR US ON THE WEB AT: www.TMSSouth.com

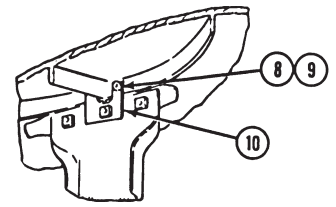
WASHFOUNTAINS

CIRCULAR WASHFOUNTAIN METAL PEDESTALS

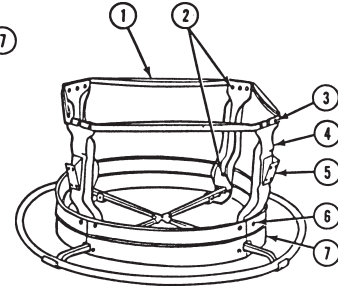
ITEM	PART #	DESCRIPTION
1	37083312	Frame member 54"
	37083313	Frame member 36"
2	37083006	Nut
3	37082939	Stove bolt
4	40120247	Leg, standard height
	37083308	Leg, juvenile height
5	37082727	Bracket, std. ht. taper panel 54"
*	37082979	Panel screw, std. ht.
*	37082979	Panel screw, juv. ht.
*	37082778	Taper panel screw washer std. ht.
6	37082929	Carriage bolt, plated
7	37083290	Scuff base, S/S 54"
	37083291	Scuff base, S/S 36"
8	37082933	Screw, Bradglas bowl only
9	37083008	Nut, Bradglas bowl only
10	37082723	Bracket, Bradglas bowl only



FOR STANDARD PANELS
Fits precast, metal,
Bradglas bowls

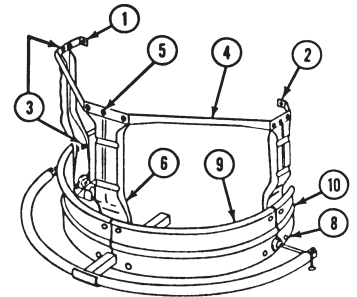


FOR TAPERED
PANELS
Fits Bradglas
bowls only

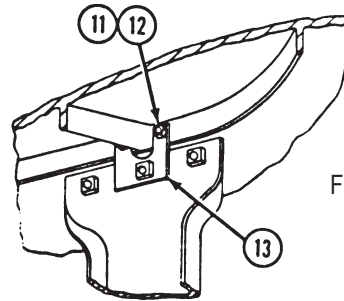


SEMI-CIRCULAR WASHFOUNTAIN METAL PEDESTALS

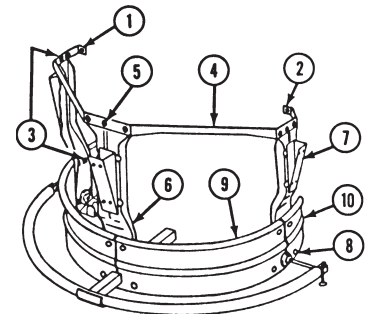
ITEM	PART #	DESCRIPTION
1	37082702	Wall bracket, precast bowl 54"
2	37082703	Wall bracket, precast bowl 54"
1	37082704	Wall bracket, precast bowl 36"
2	37082705	Wall bracket, precast bowl 36"
1	37082730	Wall bracket, metal bowl 54"
2	37082731	Wall bracket, metal bowl 54"
1	37082732	Wall bracket, metal bowl 36"
2	37082733	Wall bracket, metal bowl 36"
1	37082732	Wall bracket, Bradglas bowl 54"
2	37082733	Wall bracket, Bradglas bowl 54"
1	37082734	Wall bracket, Bradglas bowl 36"
2	37082735	Wall bracket, Bradglas bowl 36"
3	37083006	Nut for frame member, scuff base
4	37083312	Frame member 54"
4	37083313	Frame member 36"
5	37082939	Stove bolt for frame member
6	40120247	Leg, standard height
*	37083308	Leg, juvenile height
7	37082727	Bracket, tapered panels, std. ht.
*	37082979	Bracket screw, standard height
*	37082979	Bracket screw, juvenile height
8	37082929	Carriage bolt, S/S scuff base
9	37083290	Scuff base, S/S 54"
9	37083291	Scuff base, S/S 36"
10	37081810	Scuff base ends, S/S, metal bowl (set of 2) 54"
	37081820	Scuff base ends, S/S, metal bowl (set of 2) 36"
	37081805	Scuff base ends, S/S, precast bowl (set of 2) 54"
	37081815	Scuff base ends, S/S, precast bowl (set of 2) 36"
	37081810	Scuff base ends, S/S, Bradglas bowl (set of 2) 54"
	37081820	Scuff base ends, S/S, Bradglas bowl (set of 2) 36"
11	37082933	Screw, Bradglas only
12	37083008	Nut, Bradglas bowl only
13	37082723	Bracket, Bradglas bowl only
*	37082979	Taper panel screw, Bradglas, std. ht.
*	37082979	Straight panel screw, all std. ht.
*	37082979	Straight panel screw, all juv. ht.
*	37082778	Taper panel screw washer, std. ht.



FOR STANDARD PANELS
Fits precast, metal,
Bradglas bowls



FOR BRADGLAS ONLY



FOR TAPERED PANELS
Fits Bradglas bowls
only

*NOT ILLUSTRATED



**TOTAL
MAINTENANCE
SOLUTIONS**

HOUSTON
800/392-5066

ORLANDO
800/327-3022

GREENVILLE
800/476-2212

LOOK FOR US ON THE WEB AT: www.TMSSouth.com

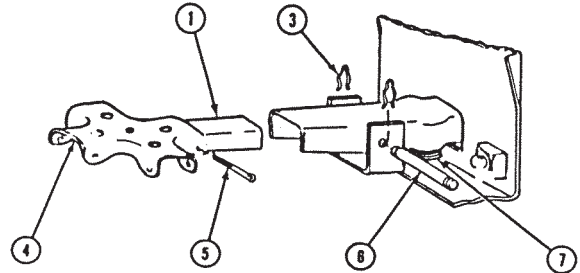
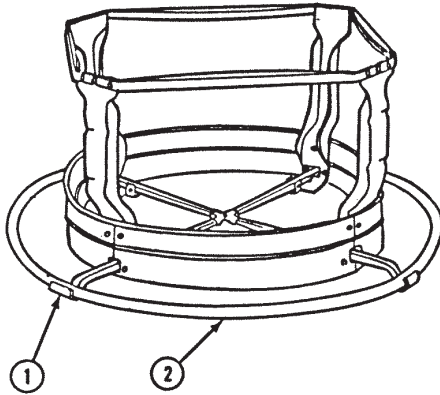
WASHFOUNTAINS

CIRCULAR FOOT CONTROL LINKAGE

ITEM	PART #	DESCRIPTION
1	37082801	Foot lever - 54" fountain (4)
	37082803	Foot lever - 36" fountain (4)
2	37081709	Foot rail assembly - 54" fountain (1)
	37081708	Foot rail assembly - 36" fountain (1)
3	37083028	Spring clip fastener (8)
4	37081084	Operating cross (1)
5	37083027	Cotter pin (4)
6	37082855	Pivot pin (4)
7	37081070	Foot lever spring (4)

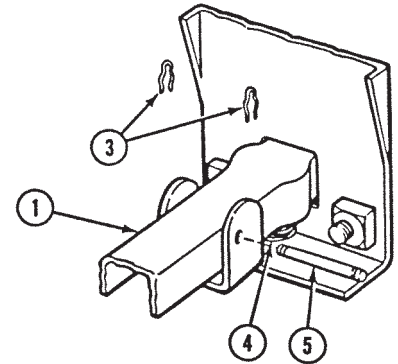
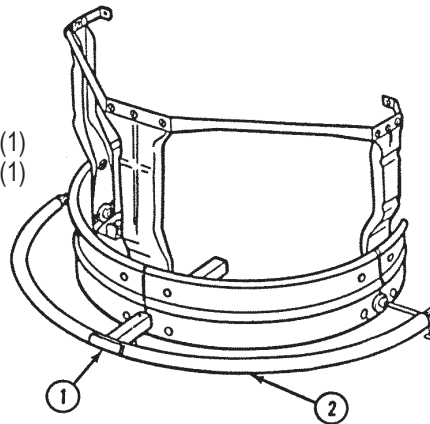


NOTE: Items 3 through 7 are available in a prepack poly bag.
To order use PART # 37081799.

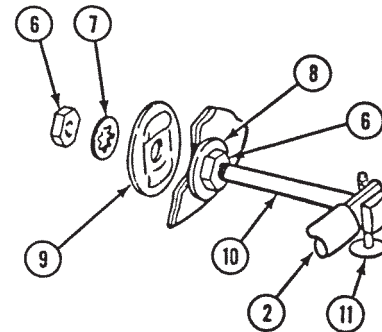


SEMI-CIRCULAR FOOT CONTROL LINKAGE

ITEM	PART #	DESCRIPTION
1	37082801	Foot lever - 54" fountain (1)
	37082803	Foot lever - 36" fountain (1)
2	37081711	Foot rail assembly - 54" fountain (1)
	37081710	Foot rail assembly - 36" fountain (1)
3	37083028	Spring clip fastener (2)
4	37081070	Foot lever spring (1)
5	37082855	Pivot pin (1)
6	37081093	Jam nut (4)
7	37081075	Shakeproof washer (2)
8	37082755	Flat washer (2)
9	37081076	Ribbed washer (2)
10	37081090	Pivot bolt 54" fountain (2)
	37081089	Pivot bolt 36" fountain (2)
11	37081091	Elevator bolt (2)



Note: Items 3 through 11 are available in a prepack poly bag.
Order part #s
37081801 for 36" fountains
37081802 for 54" fountains



**TOTAL
MAINTENANCE
SOLUTIONS**

HOUSTON
800/392-5066

ORLANDO
800/327-3022

GREENVILLE
800/476-2212

LOOK FOR US ON THE WEB AT: www.TMSSouth.com

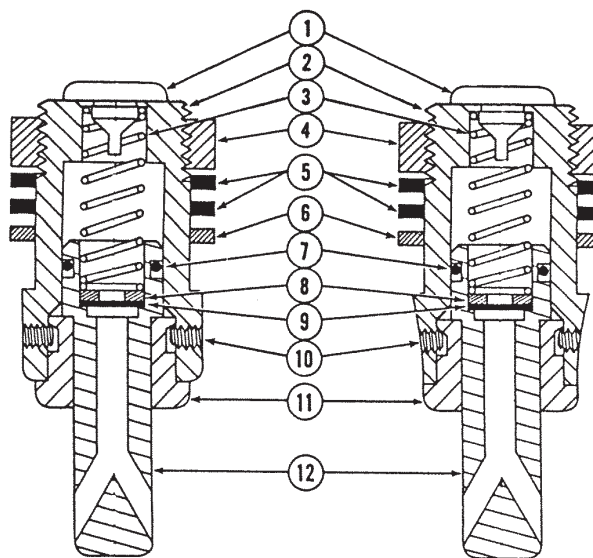
WASHFOUNTAINS

BRADLEY SOAP DISPENSING VALVES

METERING LIQUID SOAP VALVE

NATURAL CELCON PLASTIC

PART #	ITEM	DESCRIPTION
1	37083324	Duck bill check-rubber
2	118-101A	Valve body- Celcon plastic
3	37082681	Spring - stainless steel
4	37083000	Nut - Celcon plastic
5	37081033	Fibre washer
6	37081073	Washer - chromed steel
7	37082569	O-Ring - rubber
8	37082926	Retainer - Celcon plastic
9	37081058	Slit diaphragm - rubber
10	37082949	Set screw - stainless steel
11	37083270	Plunger guide - Celcon plastic
12	37081026	Plunger - Celcon
	37081420	Complete valve



37081420
Celcon Plastic Valve

37081118
Chrome Plated
Brass Valve

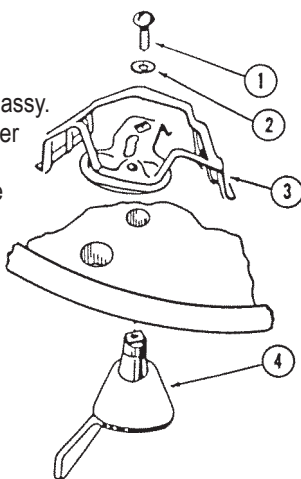
METERING LIQUID SOAP VALVE

CHROME PLATED BRASS

ITEM	PART #	DESCRIPTION
1	37083324	Duck bill check - rubber
2	118-101	Valve body - chrome brass
3	37082681	Spring - stainless steel
4	37081202	Nut - brass
5	37081033	Fibre washer
6	37081073	Washer - chromed steel
7	37082569	O-Ring - rubber
8	37082926	Retainer - Celcon plastic
9	37081058	Slit diaphragm - rubber
10	37082943	Set screw - stainless steel
11	37083269	Plunger guide - chromed brass
12	37082480	Plunger - chromed brass
	37081118	Complete valve

POWDERED SOAP VALVE

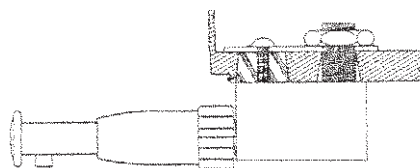
ITEM	PART #	DESCRIPTION
1	37082933	Screw
2	37082788	Washer
3	37082029	Agitator & Slide assy.
4	37083305	Lower valve slider
*	37082858	Reducer plug - available for use with fine grain soap to reduce flow
	37081116	Complete valve



*NOT ILLUSTRATED

REPLACEMENT SOAP VALVE

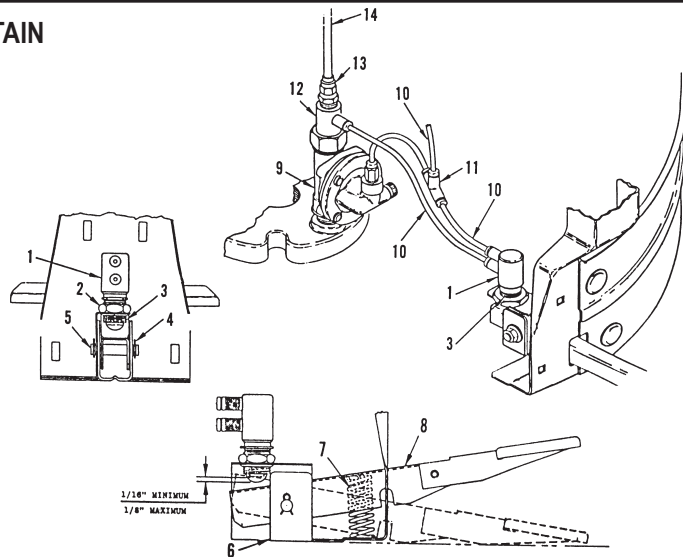
PART #	DESCRIPTION
37083268	SO9-57 Lotion soap valve
37083267	SO9-57s Lotion soap valve w/ attaching parts



WASHFOUNTAINS

BRADLEY FOOT CONTROL FOR SECTIONAL FOUNTAIN

ITEM	PART #	DESCRIPTION
1	41021152	Pilot valve
2	37082290	Locknut
3	37081230	Pushbutton assembly
4	37083028	Pivot pin retainer
5	37082855	Pivot pin
6	37082138	Leg weldment - std. ht.
7	37081070	Spring
8	37081232	Foot treadle assembly
9	41021151	Metering valve
10	*	Control tubing
11	37082002	Plastic tee
12	37081998	Tailpiece assembly
13	37083204	Tube to pipe connector
14	*	Supply tube



* Order tubing by the foot (specify size 1/8" OD, 1/4" OD)

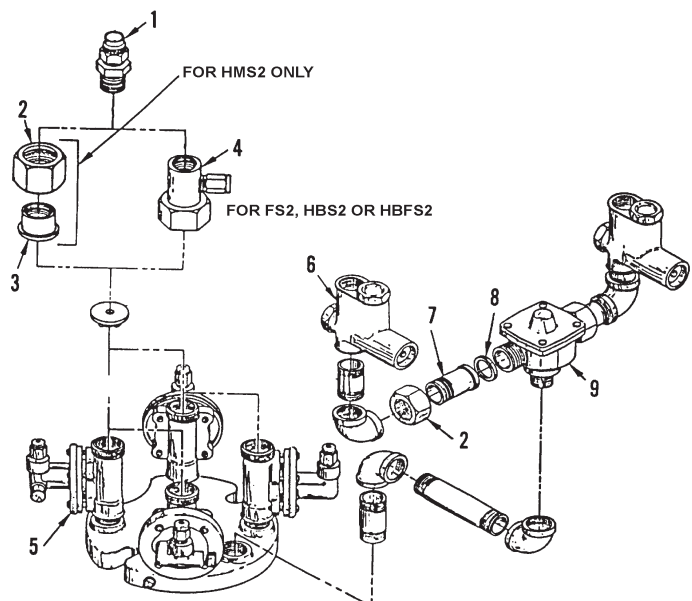
HANDI-TAP METERED WASHFOUNTAIN VALVE REPAIR KIT PART # 41021220

ITEM #	DESCRIPTION
1	Ring clamp
2	Filter
3	Upper valve body
4	Timing cartridge
5	Retaining Screw Assembly
6	Screw
7	O-ring
8	Conical Spring
9	Tube-to-Pipe Connector

BRADLEY VALVE MANIFOLD FOR SECTIONAL FOUNTAIN

ITEM	PART #	DESCRIPTION
1	37083204	Tube to pipe connection
2	37082268	Tailpiece nut
3	37082642	Tailpiece
4	37081998	Tailpiece assembly
5	41021151	Metering valve
6	40120103	Strainer & Check valve
7	37082640	Tailpiece
8	37082521	Washer
9	40120219	Manual mixing valve
	37081306	Thermostatic mixing valve

HMS2 –
Sectional hand control semi-circular fountain (push button in spray head assembly)
FS2 –
Sectional foot control semi-circular fountain
HBS2 –
Sectional hand control semi-circular fountain (push button in back splash)
HBFS2 –
Sectional hand & foot control semi-circular fountain (push button in back splash)



HOUSTON
800/392-5066

ORLANDO
800/327-3022

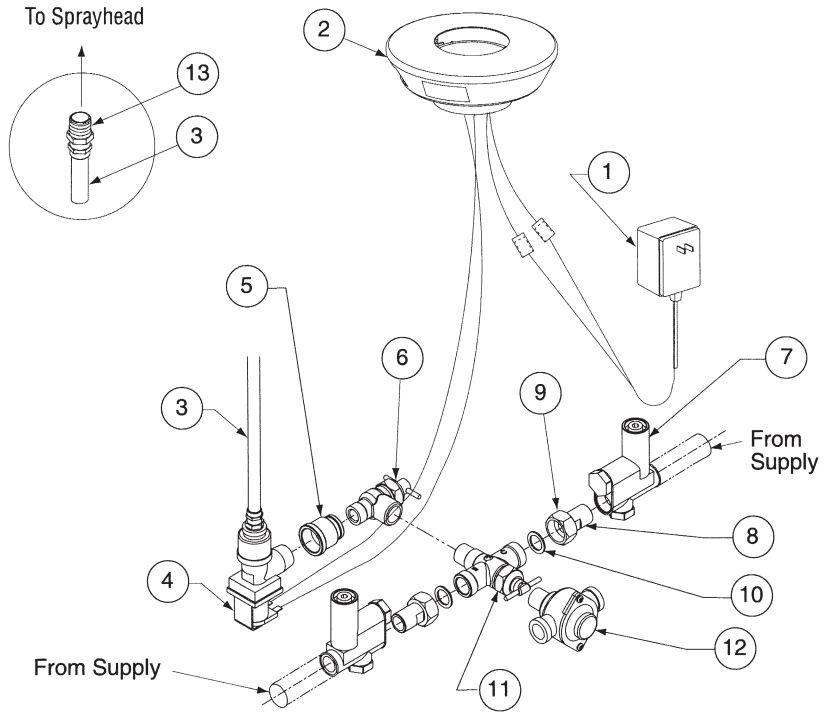
GREENVILLE
800/476-2212

LOOK FOR US ON THE WEB AT: www.TMSSouth.com

WASHFOUNTAINS

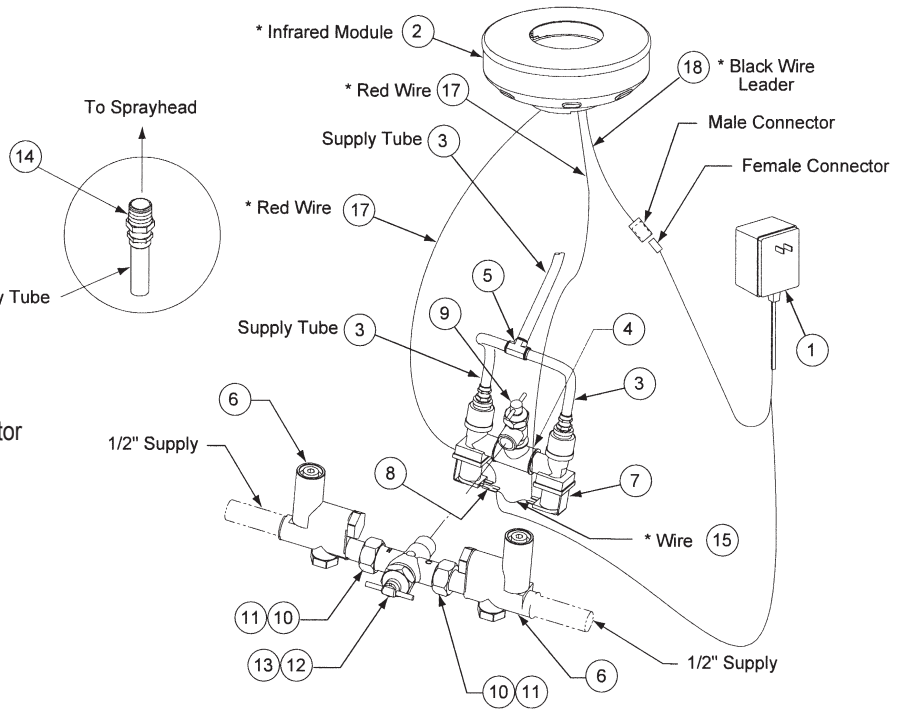
BRADLEY INFRARED ACCUZONE VALVE ASSEMBLY – CIRCULAR & SEMI (TERRAZZO AND STAINLESS STEEL BOWLS; BRADSTONE BOWLS PRIOR TO SEPTEMBER 2003)

ITEM	PART #	DESCRIPTION
1		24 VAC Transformer (with female connectors)
2		Infrared module (circular)
2		Infrared module (semi-circular)
3	97941038	1/2" tubing to sprayhead
4	37088055	Solenoid assembly
5	37089851	Reducer
6	40120220	Volume control valve
7	40120103	Stop-strainer-check valve
8	37082640	Tailpiece
9	37082268	Tailpiece nut
10	37082521	Tailpiece washer
11	40120219	Manual mixing valve
12	37081306	TMA (optional)
13	40900058	3/8" NPT x 1/2" tube connector



BRADLEY INFRARED ADAPTIVE VALVE ASSEMBLY – CIRCULAR (TERREON BOWLS; BRADSTONE BOWLS FROM SEPTEMBER 2003 TO PRESENT)

ITEM	PART #	DESCRIPTION
1		24 VAC Transformer
2		Infrared module
3	97941038	1/2" tubing to sprayhead
4		Tee
5	40900043	Tee union
6	40120103	Check valve
7	37088055	Solenoid assembly
8		Adapter
9	40120220	Volume control valve
10	37082268	Tailpiece nut
11	37082521	Tailpiece washer
12	40120219	Manual mixing valve
13	37081306	TMA (optional) – manual mixing valve shown
14	40900058	3/8" NPT x 1/2" tube connector



**TOTAL
MAINTENANCE
SOLUTIONS**

HOUSTON
800/392-5066

ORLANDO
800/327-3022

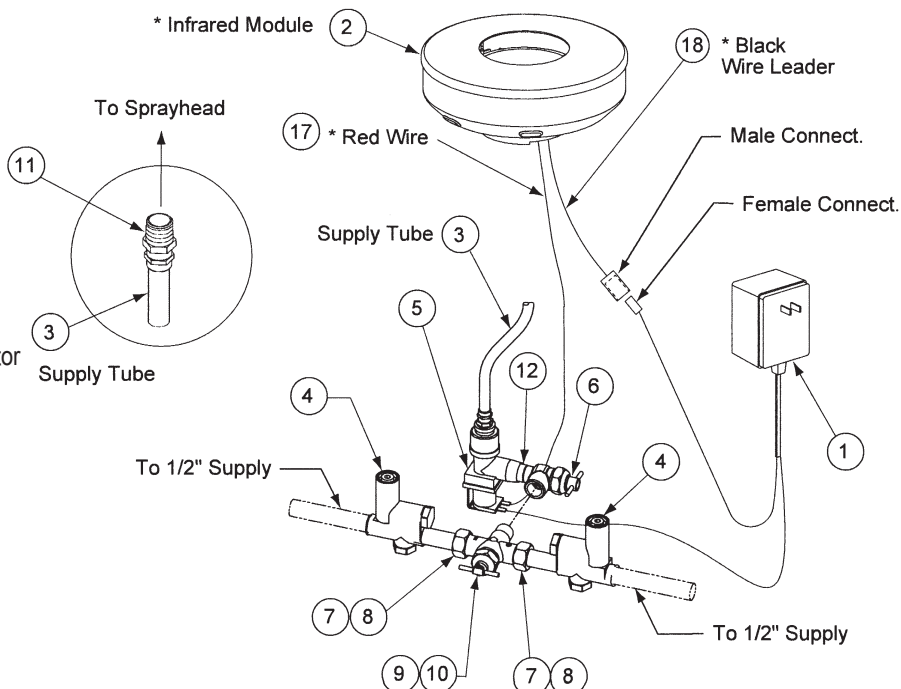
GREENVILLE
800/476-2212

LOOK FOR US ON THE WEB AT: www.TMSSouth.com

WASHFOUNTAINS

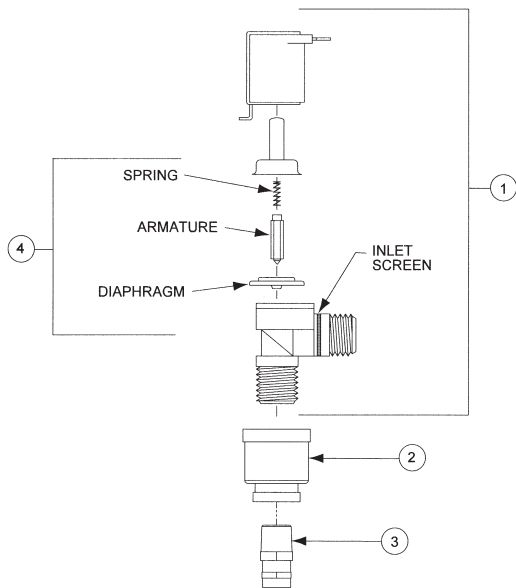
BRADLEY INFRARED ADAPTIVE VALVE ASSEMBLY – SEMI-CIRCULAR (TERREON BOWLS; BRADSTONE BOWLS FROM SEPTEMBER 2003 TO PRESENT)

ITEM	PART #	DESCRIPTION
1		24 VAC Transformer
2		Infrared module
3	97941038	1/2" tubing to sprayhead
4	40120103	Check valve
5	37088055	Solenoid assembly
6	40120220	Volume control valve
7	37082268	Tailpiece nut
8	37082521	Tailpiece washer
9	40120219	Manual mixing valve
10	37081306	TMA (optional) – manual mixing valve shown
11	40900058	3/8" NPT x 1/2" tube connector
12		Reducing coupling, 1/2" NPT x 3/8" NPT



BRADLEY S27-250 SOLENOID

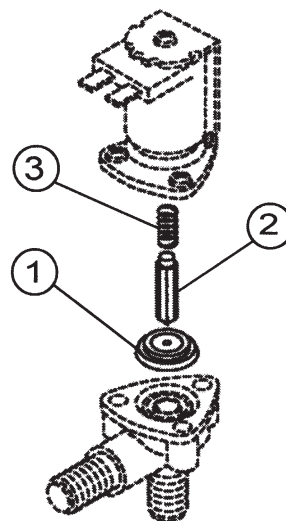
ITEM	PART #	DESCRIPTION
1		Solenoid valve
2		3/4" x 3/8" reducing coupling
3		Male connector
4	37085155	Solenoid repair kit



BRADLEY SOLENOID REPAIR KIT (PRIOR TO MARCH 2002; SEMI-CIRCULAR ONLY) PART # 41021194

Includes the following:

ITEM	DESCRIPTION
1	Diaphragm
2	Armature
3	Spring



**TOTAL
MAINTENANCE
SOLUTIONS**

HOUSTON
800/392-5066

ORLANDO
800/327-3022

GREENVILLE
800/476-2212

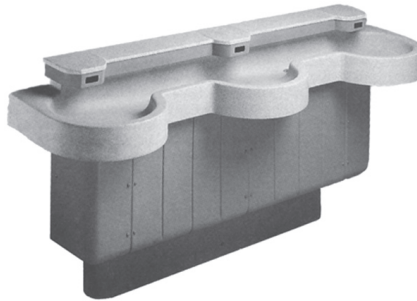
LOOK FOR US ON THE WEB AT: www.TMSSouth.com

WASHFOUNTAINS

BRADLEY ACCUZONE SENSOR OPERATED WASHFOUNTAINS



BRADLEY SENTRY
WITH ACCU-ZONE CONTROL



BRADLEY EXPRESS
WITH ACCU-ZONE CONTROL



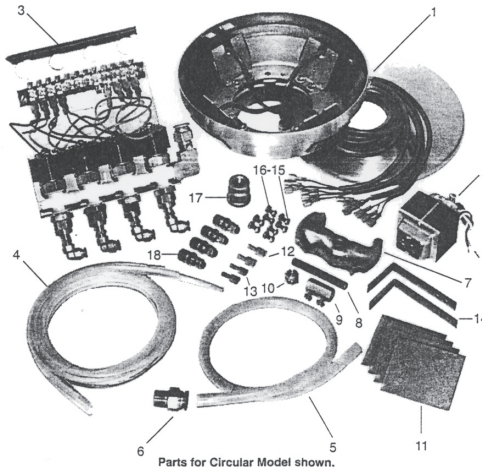
BRADLEY TERREON TRI-FOUNT
WITH ACCU-ZONE CONTROL



BRADLEY ACCUZONE CONVERSION KITS

PART #	DESCRIPTION
37085100	Conv. Kit 54" Circular
37085100	Conv. Kit 36" Circular
37085150	Conv. Kit Semi-Circular

**UPGRADE YOUR EXISTING
WASHFOUNTAINS:**
Accu-Zone conversion kits for
older existing washfountains.



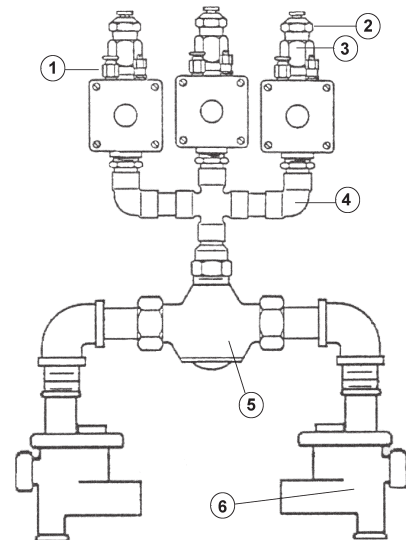
Parts for Circular Model shown.



36" AHC stainless Washfountain with
ACCU-ZONE™ Metering Control.

BRADLEY TERREON TRI-FOUNT VALVING ASSEMBLY REPAIR PARTS

ITEM	PART #	DESCRIPTION
1	37083160	Connector
2	37083204	Coupling
3	37085160	Connection assembly
4	37085170	Manifold assembly
5	37081306	Vernatherm
6	40120103	Comb. stop - strainer - check valve



**TOTAL
MAINTENANCE
SOLUTIONS**

HOUSTON
800/392-5066

ORLANDO
800/327-3022

GREENVILLE
800/476-2212

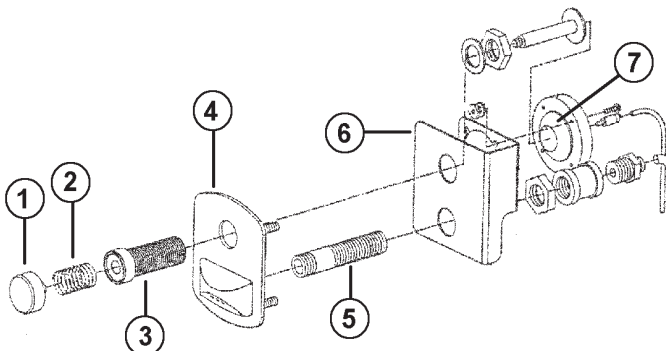
LOOK FOR US ON THE WEB AT: www.TMSSouth.com

WASHFOUNTAINS

BRADLEY TERREON TRI-FOUNT REPLACEMENT PARTS FOR PUSHBUTTON & ACCUZONE MODELS

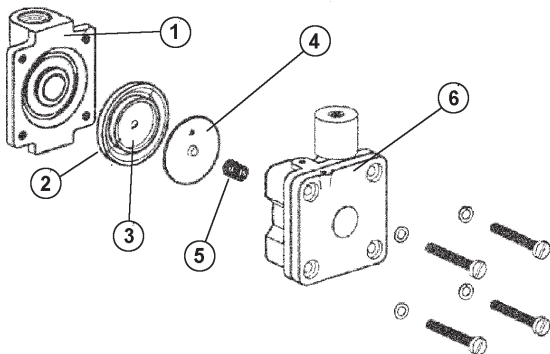
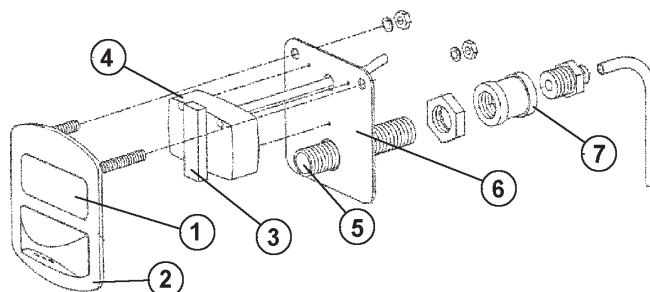
PUSHBUTTON ASSEMBLY

ITEM	PART #	DESCRIPTION
1	37082646	Pushbutton
2	41021108	Spring
3	37085180	Pushbutton guide
4	37085190	Escutcheon assembly
5	37085210	Nipple
6	37085220	Backplate
7	37083125	Diaphragm



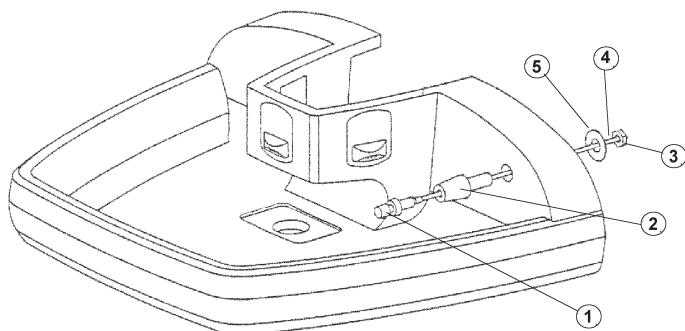
ACCU-ZONE SENSOR ASSEMBLY

ITEM	PART #	DESCRIPTION
1	37085240	Lens
2	37085195	Escutcheon
3	37085250	Gasket
4	37085260	Sensor
5	37085210	Nipple
6	37085225	Backplate
7	37085270	Coupling



METERING VALVE REPAIR PARTS

ITEM	PART #	DESCRIPTION
1	37085280	Lower valve body
2	40120100	Rubber diaphragm
3	40120230	Plastic disk
4	40120290	S/S disk
5	40120213	Spring
6	37085330	Upper valve body
*	40120099	Repair kit containing items 2 through 5



SOAP VALVE ASSEMBLY REPAIR PARTS

ITEM	PART #	DESCRIPTION
1	37085340	Soap valve
2	37085350	Soap body
3	37082290	Soap nut
4	37085360	Tube
5	37082779	Soap washer



TOTAL MAINTENANCE SOLUTIONS

HOUSTON
800/392-5066

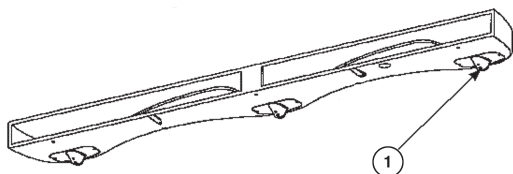
ORLANDO
800/327-3022

GREENVILLE
800/476-2212

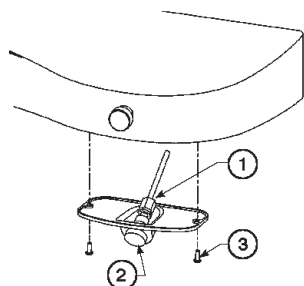
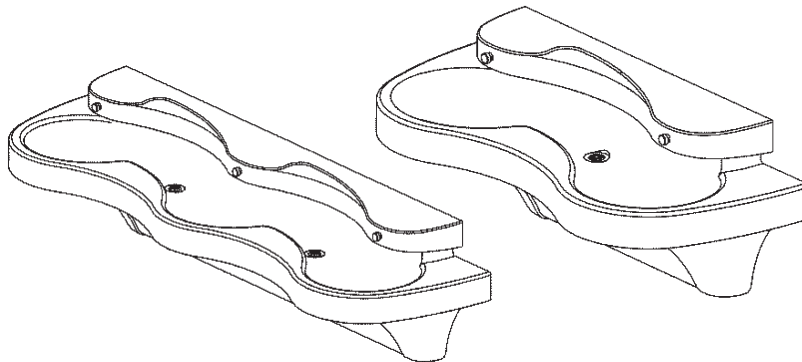
LOOK FOR US ON THE WEB AT: www.TMSSouth.com

WASHFOUNTAINS

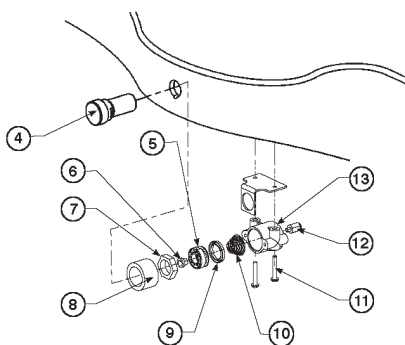
BRADLEY MG-2/AST4 AND MG-3/AST4 EXPRESS LAVATORY SYSTEM – MG SERIES WITH PUSHBUTTON AIR VALVE



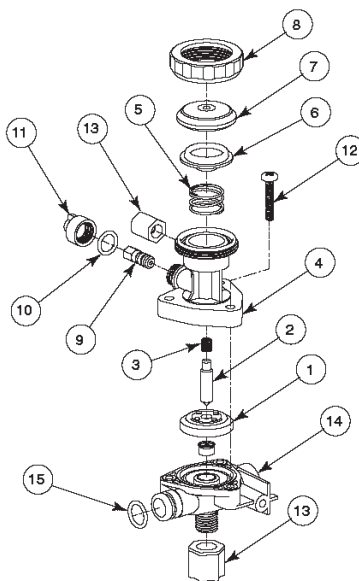
ITEM	PART #	DESCRIPTION
1	41021180	Sprayhead aerator assembly



ITEM	PART #	DESCRIPTION
1	41021181	Connector 1/4" tube
2	41021182	Housing flow control
3	40401601	Screw allen socket

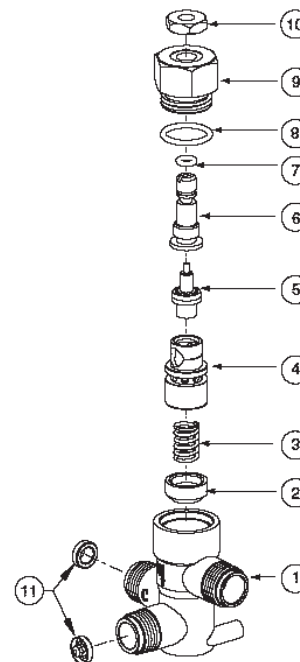


ITEM	PART #	DESCRIPTION
4	41021184	Pushbutton assembly
5	41021183	Piston
6	41021207	Duckbill
7	37082290	Nut
8		Spacer
9	41021208	U-cap
10	41021188	Spring
11		Screw (2)
12		1/8" Tube connector
13		Pushbutton housing



METERING AIR VALVE

ITEM	PART #	DESCRIPTION
1		Diaphragm†
2		Armature†
3		Spring†
4		AST 4 Valve
5		Upper body
6		Spring
7		Magnet/Diaphragm assy.*
8		AST 4 Valve cover*
9		AST 4 Valve Clamp nut*
10		AST 4 Valve Timer assy.
11		O-ring
12		AST 4 Valve Timer Cover
13		Screw, #8 x 7/8"
14		Compression nut, 1/8" tube*
15		Compression nut, 1/4" tube
	41021185	Rebuild kit (complete) includes items 1-12
	41021186	Upper repair kit includes items marked *
	41021187	Lower repair kit includes items marked †

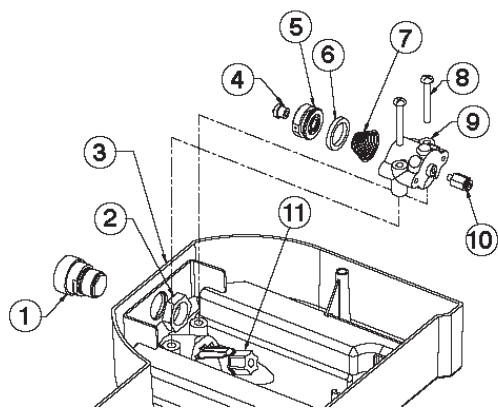
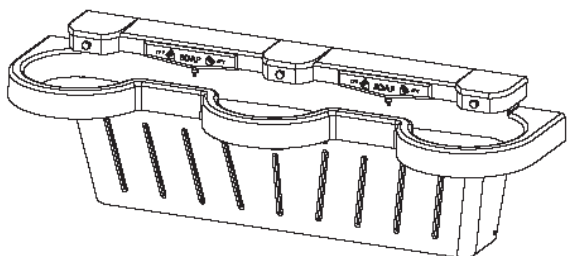
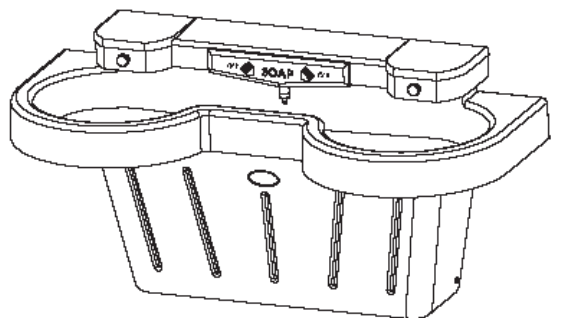


VERNATHERM MIXING VALVE

ITEM	PART #	DESCRIPTION
1		Valve body
2		Seal cup
3		Spring
4		Piston
5		Thermostat
6		Stem
7		O-ring
8		O-ring
9		Cap
10		Hex jam nut
11	41021189	Strainer
	41021190	Repair kit includes 1 ea. of 5, 7, and 8

WASHFOUNTAINS

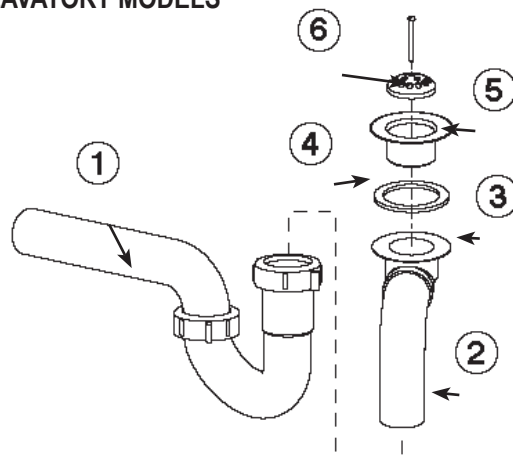
BRADLEY SS-2N/AST/WH AND SS-3N/AST-WH EXPRESS LAVATORY SYSTEM SS-SERIES



ITEM	PART #	DESCRIPTION
1	37088324	Pushbutton
2	37082290	Nut, 1/2"-14 NSPM
3		Bracket, SSN Pushbutton
4	41021207	Duckbill
5	41021183	Piston
6	41021208	U-cup
7	41021188	Spring
8		#8 screw
9		Actuator body
10		1/4" tube connector
11	41021196	Aerator

FOR METERING AIR VALVE AND VERNATHERM THERMOSTATIC MIXING VALVE PARTS, SEE PREVIOUS PAGE.

DRAIN ASSEMBLY FOR ALL EXPRESS LAVATORY MODELS



ITEM	PART #	DESCRIPTION
1		P-trap (PVC)
2		P-trap (Chrome plated brass)
3	41021197	1/8" rubber washer
4	41021209	Drain plug
5	41021198	Strainer
6	41021199	Screw

Did You Know?

- A dairy cow must drink four gallons of water to produce one gallon of milk. One gallon of water weights approximately 8-1/2 lbs.
- 300 million gallons of water are needed to produce a single day's supply of newsprint.



TOTAL MAINTENANCE SOLUTIONS

HOUSTON
800/392-5066

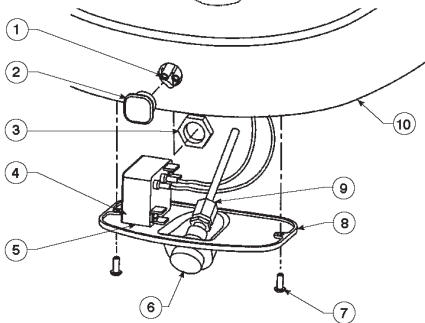
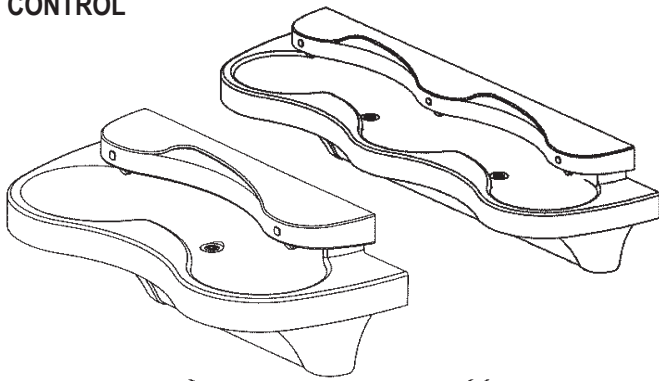
ORLANDO
800/327-3022

GREENVILLE
800/476-2212

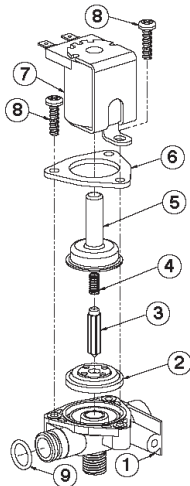
LOOK FOR US ON THE WEB AT: www.TMSSouth.com

WASHFOUNTAINS

BRADLEY MG-2/IR AND MG-3/IR EXPRESS LAVATORY SYSTEM – MG SERIES WITH ADAPTIVE INFRARED CONTROL



ITEM	PART #	DESCRIPTION
1		Sensor eyes
2	41021200	Infrared window
3	37082290	Nut
4	41021191	Sensor
5	41021192	Velcro
6	41021182	Housing-Flow control
7	40401601	Screw allen socket
8		Access plate
9	41021181	Connector 1/4" tube
10		Sprayhead body

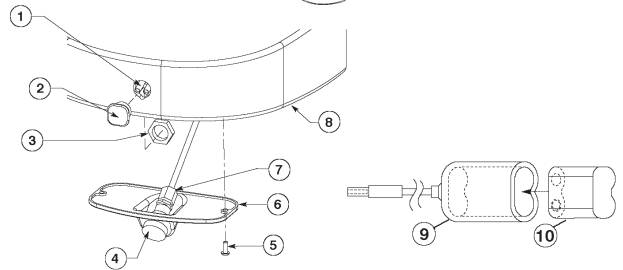
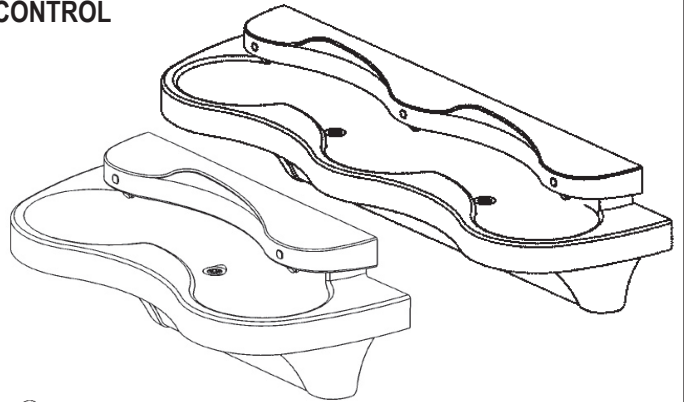


SOLENOID VALVE MODEL S07-067 AAND S07-067A

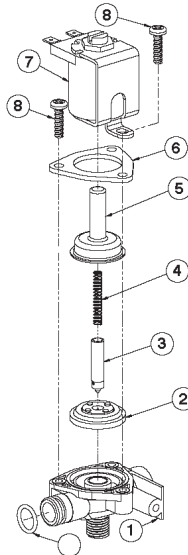
ITEM	PART #	DESCRIPTION
1		Valve body, 1/4" closed
2	41021193	Valve body, 1/4" thru
3		Diaphragm
4		Armature
5		Spring
6		Armature housing
7		Clamp, Armature housing
8		Coil, Solenoid valve
9		Screw, #8 x 5/8
	41021194	O-ring
		Repair Kit Includes 1 ea. of 2, 3, and 4

FOR VERNATHERM THERMOSTATIC MIXING VALVE PARTS BREAKDOWN, SEE PAGE 14-18

BRADLEY MG-2/BIR AND MG-2/BIR EXPRESS LAVATORY SYSTEM – MG-2 SERIES WITH BATTERY INFRARED CONTROL



ITEM	PART #	DESCRIPTION
1	41021202	Sensor eyes, 30"
	41021203	Sensor eyes, 60"
2	41021200	Infrared window
3	37082290	Nut
4	41021182	Housing-Flow control
5	40401601	Screw allen socket
6		Access plate
7	41021181	Connector 1/4" tube
8		Sprayhead body
9	41021204	Battery holder
10	41021205	Lithium battery, 6-volt



SOLENOID VALVE MODEL S07-072 AND S07-072A

ITEM	PART #	DESCRIPTION
1		Valve body, 1/4" closed
2	41021193	Valve body, 1/4" thru
3		Diaphragm
4		Armature
5		Spring
6		Armature housing
7		Clamp, Armature housing
8		Coil, Solenoid valve
9		Screw, #8 x 5/8
		O-ring



**TOTAL
MAINTENANCE
SOLUTIONS**

HOUSTON
800/392-5066

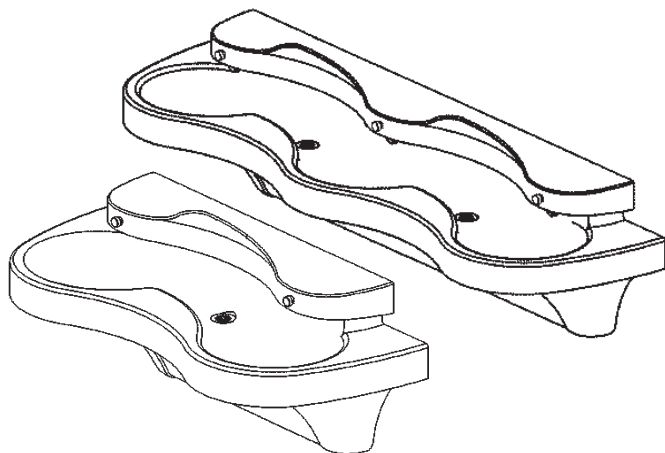
ORLANDO
800/327-3022

GREENVILLE
800/476-2212

LOOK FOR US ON THE WEB AT: www.TMSSouth.com

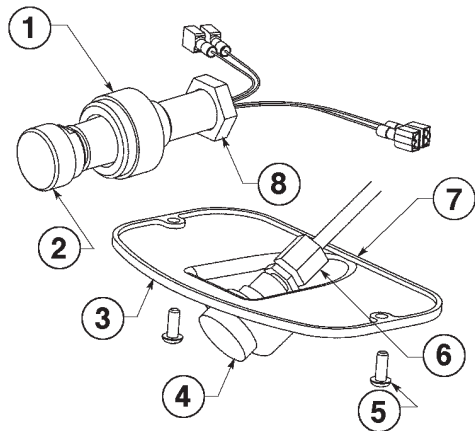
WASHFOUNTAINS

BRADLEY MG-2/TT AND MG-3/TT EXPRESS LAVATORY SYSTEM – MG-SERIES WITH TOUCHTIME® CONTROL



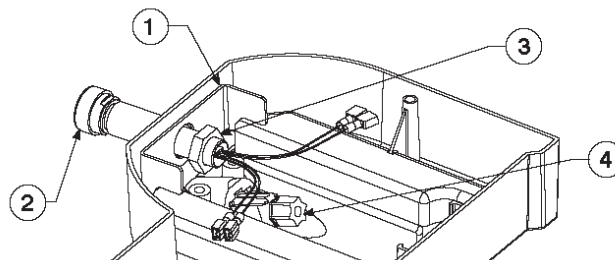
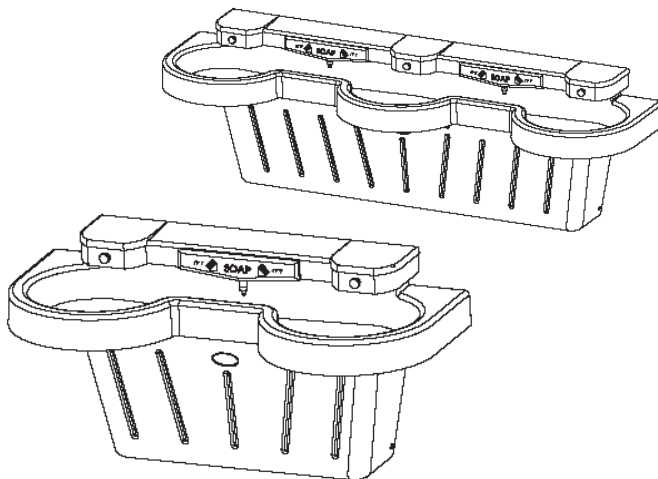
TOUCHTIME® AND AERATOR/ACCESS PLATE ASSEMBLIES

ITEM	PART #	DESCRIPTION
1		Spacer
2	41021206	Touchtime® switch (15-second)
3		Access plate/aerator assembly
4	41021182	Aerator/Housing-flow control
5	40401601	Screw allen socket #10-24
6	41021181	1/4" Connector
7		Access plate
8	37082290	Nut



FOR SOLENOID VALVE PARTS, SEE PREVIOUS PAGE.
FOR VERNATHERM™ THERMOSTATIC MIXING VALVE PARTS, SEE PAGE 14-18

BRADLEY SS-2N/TT-WH AND SS-3N/TT-WH EXPRESS LAVATORY SYSTEM SS-SERIES



SPRAYHEAD COMPONENTS

ITEM	PART #	DESCRIPTION
1		Bracket, SSN Pushbutton
2	41021206	TouchTime® 15-sec. switch
3	37082290	Nut, 1/2" –14 NSPM
4	41021196	Aerator assembly

FOR SOLENOID VALVE PARTS, SEE PREVIOUS PAGE.
FOR VERNATHERM™ THERMOSTATIC MIXING VALVE PARTS, SEE PAGE 14-18



**TOTAL
MAINTENANCE
SOLUTIONS**

HOUSTON
800/392-5066

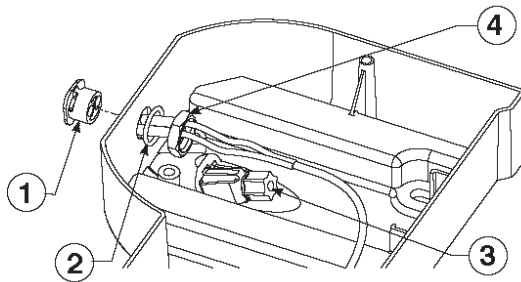
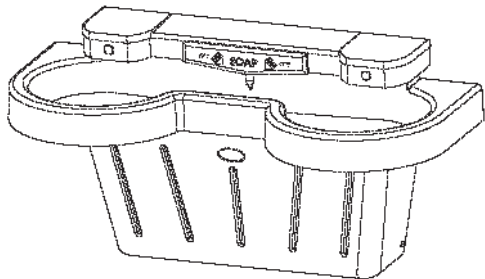
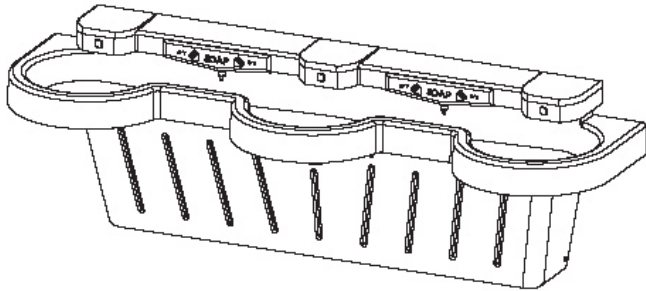
ORLANDO
800/327-3022

GREENVILLE
800/476-2212

LOOK FOR US ON THE WEB AT: www.TMSSouth.com

WASHFOUNTAINS

BRADLEY SS-2N/IR/WH AND SS-3N/IR/WH EXPRESS LAVATORY SYSTEM SS-SERIES WITH ADAPTIVE INFRARED CONTROL

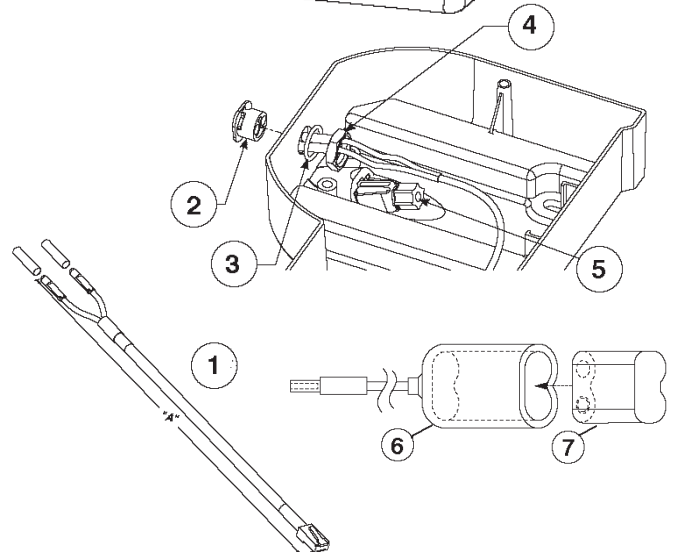
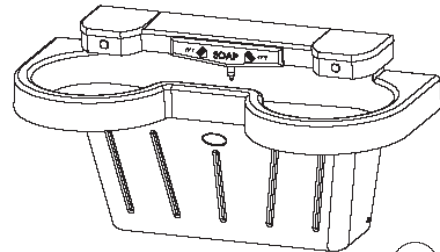
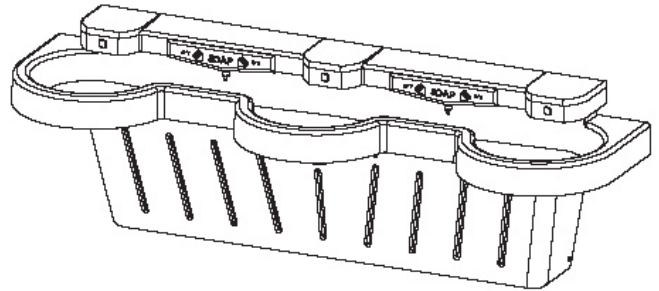


SPRAYHEAD COMPONENTS

ITEM	PART #	DESCRIPTION
1	41021200	Window
2	41021210	O-ring
3	41021196	Aerator assembly
4	37082290	Nut, 1/2" - 14 NSPM

FOR SOLENOID VALVE PARTS, SEE 14-20.
FOR VERNATHERM™ THERMOSTATIC MIXING VALVE PARTS, SEE PAGE 14-18

BRADLEY SS-3N/BIR3/WH AND SS-2N/BIR3/WH EXPRESS LAVATORY SYSTEM WITH BATTERY INFRARED CONTROL



SENSOR ASSEMBLY COMPONENTS

ITEM	PART #	DESCRIPTION
1	41021202	Sensor eyes (A length = 36")
	41021203	Sensor eyes (A length = 60")
2	41021200	Window
3	41021210	O-ring
4	41021196	Aerator assembly
5	37082290	Nut, 1/2" - 14 NSPM
6	41021204	Battery holder
7	41021205	Battery, lithium 6-volt

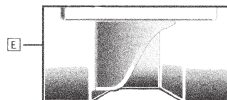
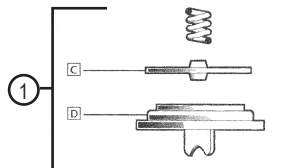
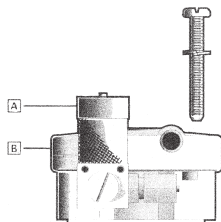
WASHFOUNTAINS



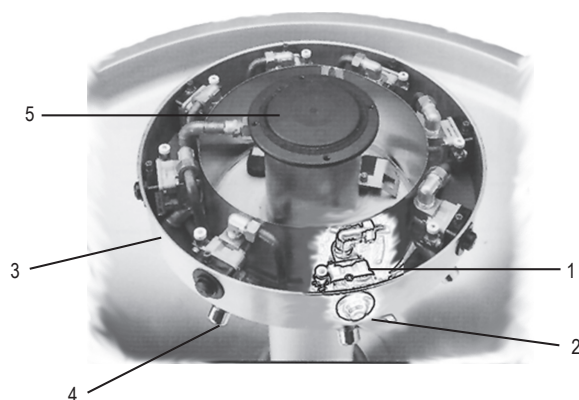
**TO ORDER COMPLETE FOUNTAINS
CALL TMS SOUTH'S INSIDE SALES TEAM**
 1-800-476-2212 (TAYLORS, SC)
 1-800-327-3022 (ORLANDO, FL)
 1-800-392-5066 (HOUSTON, TX)

HUBBA VALVE

- A Timer
- B Upperbody Mechanism with or without pushbutton
- C Armature disc
- D Membrane
- E Hubba Body



ITEM	PART #	DESCRIPTION
1	40120099	Huba control valve repair kit P5030
2	37301010	Pushbutton assembly
3	37301020	Spray head assembly
4	37301030	Spray nozzle
5	37301100	Plastic cap
	37301050	Huba mtr. valve complete, IH model



SANISPRAY ELECTRONIC

PART #	DESCRIPTION
37301030	Spray nozzle
37301110	Soap nozzle
37301120	Screen for solenoid
37301130	Individual sensor w/ leads
37301140	Collective sensor w/ leads
37301150	Solenoid valve for Ind. Sensor / Microprocessor separate battery
37301160	7.2 volt Lithium battery w/ white connector
37301170	9 volt Lithium battery with or w/out white conversion connector
37301180	10.8 volt D-Cell battery array
37301190	Sanispray Microprocessor Box



**TOTAL
MAINTENANCE
SOLUTIONS**

HOUSTON
800/392-5066

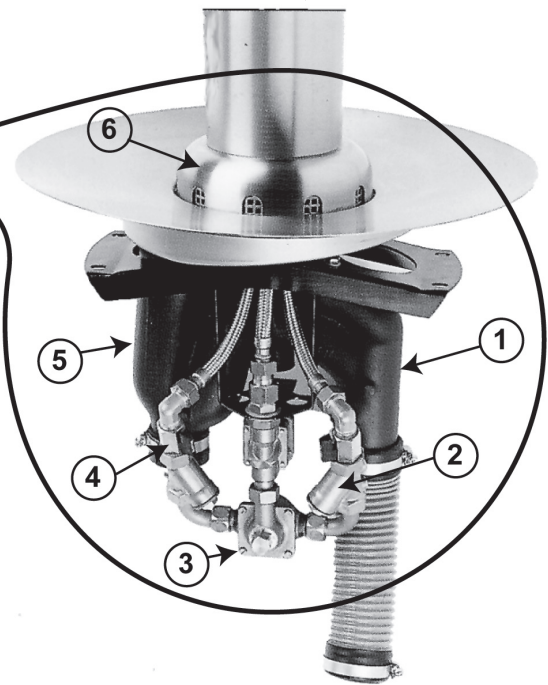
ORLANDO
800/327-3022

GREENVILLE
800/476-2212

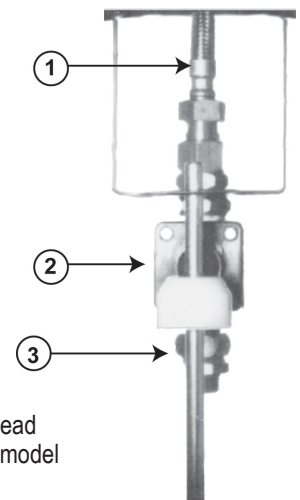
LOOK FOR US ON THE WEB AT: www.TMSSouth.com

WASHFOUNTAINS

ITEM	PART #	DESCRIPTION
1	37301200	Cast Iron 4-Way P-Trap
2	37301210	Strainer
	37301220	Strainer Screen (inside)
3	37301230	Thermostatic Mixing Valve
4	37301240	Ball Valve
5	37301250	Flexible Supply Line
	37301260	Flexible Line to Sprayhead
6	37301270	Drain Base w/ Strainer



ITEM	PART #	DESCRIPTION
1	37301280	Conical Pedestal
2	37301310	Circular Footrail
	37301320	Semi-Circular Footrail
	37301330	Corner Footrail
3	37301340	Straight Lever
4	37301350	Floor Gasket
5	37301360	Scuff Base
6		S/S Circular Bowl S/S Semi-Circ. Bowl S/S Corner Unit Bowl



ITEM	PART #	DESCRIPTION
1	37301370	Flex Line to sprayhead
2	37301380	Huba Valve for CF model
3	37301390	Plastic Treadle



**TOTAL
MAINTENANCE
SOLUTIONS**

HOUSTON
800/392-5066

ORLANDO
800/327-3022

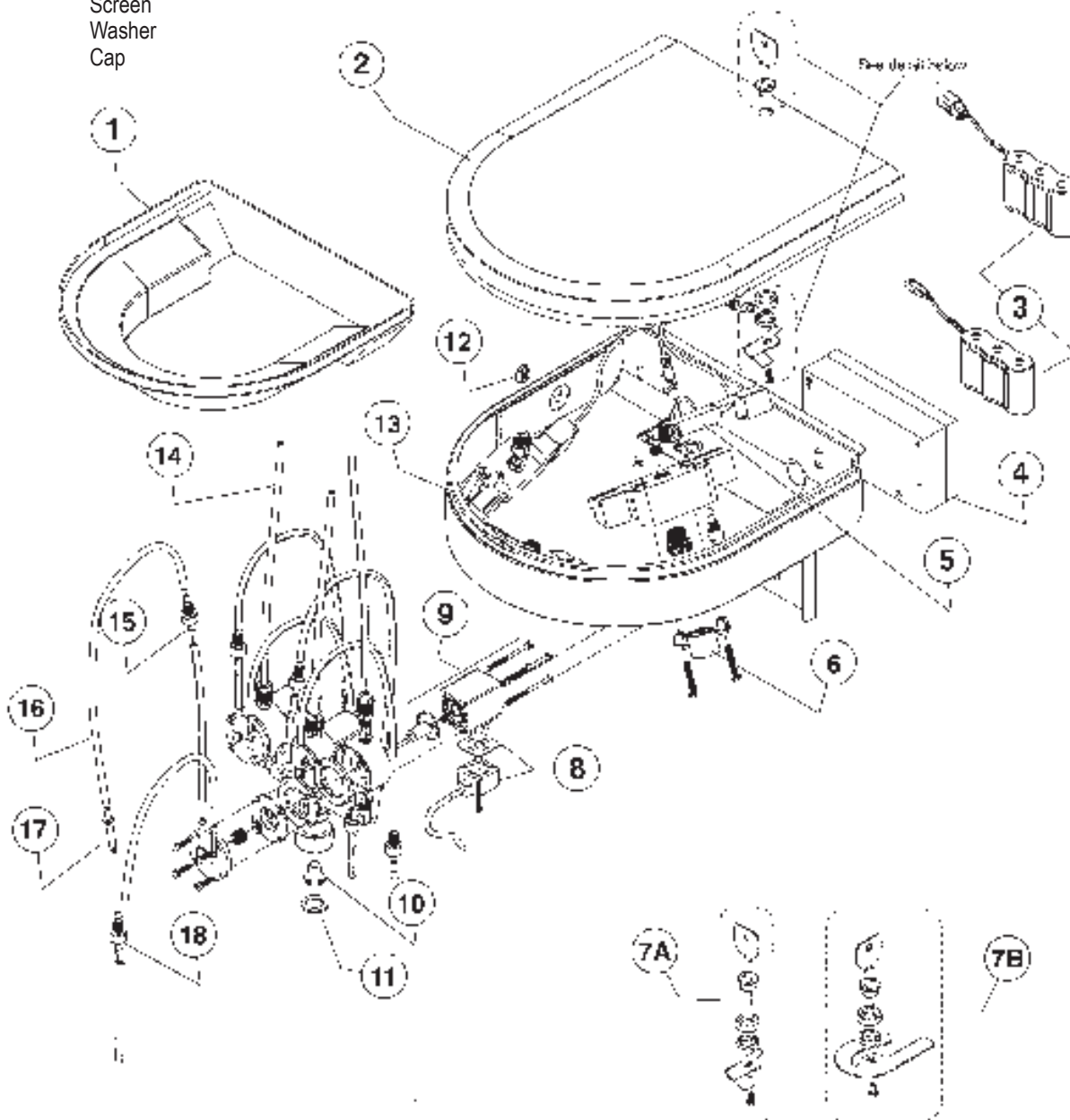
GREENVILLE
800/476-2212

LOOK FOR US ON THE WEB AT: www.TMSSouth.com

WASHFOUNTAINS

INTERSAN SANIFOUNT SENSOR WATER DISTRIBUTION HEAD

ITEM	PART #	DESCRIPTION	ITEM	PART #	DESCRIPTION
1		Soaptray	13		Shell, 2-user
2		Lid, 2 or 3-user			Shell, 3-user
		Lid, 4-user			Shell, 4-user
3	37301180	Battery (specify white or black connector)	14		Water tubing
4	40531000	Microprocessor	15		Black check valve
5	37301480	Sensor, 2 or 3-user	16		Soap tubing
	40531011	Sensor, 4-user	17		Needle
6	37301440	Nozzle	18		White check valve
7A		Lockset A			
7B		Lockset B			
8		Valve lead			
9		Valve coil			
10		Screen			
11		Washer			
12		Cap			



**TOTAL
MAINTENANCE
SOLUTIONS**

HOUSTON
800/392-5066

ORLANDO
800/327-3022

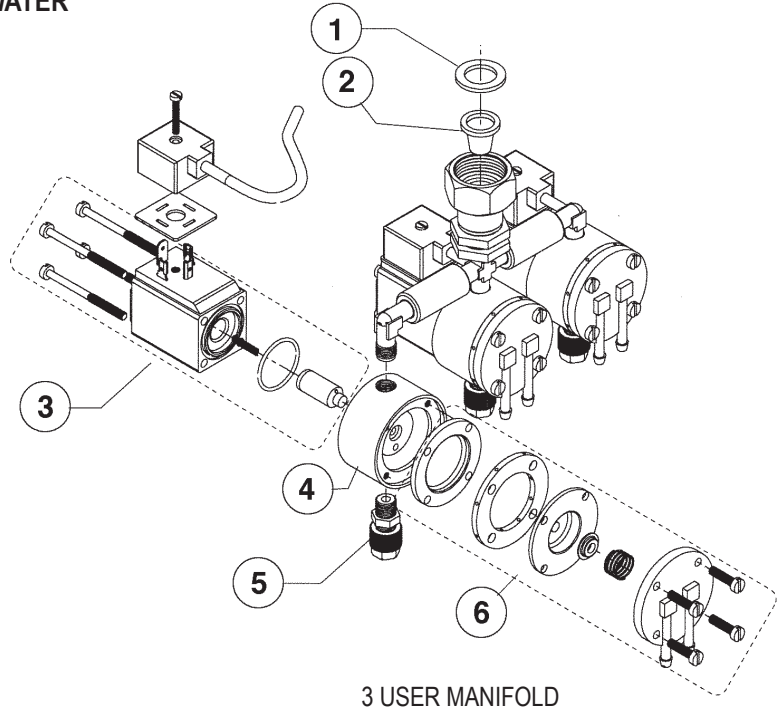
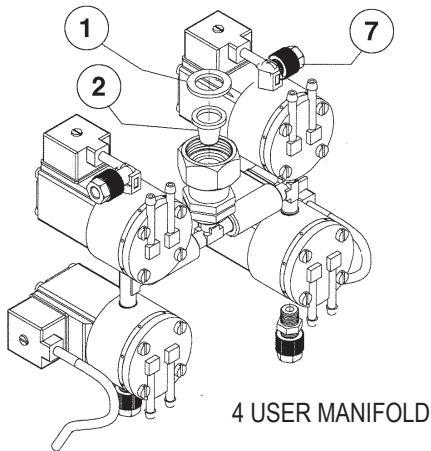
GREENVILLE
800/476-2212

LOOK FOR US ON THE WEB AT: www.TMSSouth.com

WASHFOUNTAINS

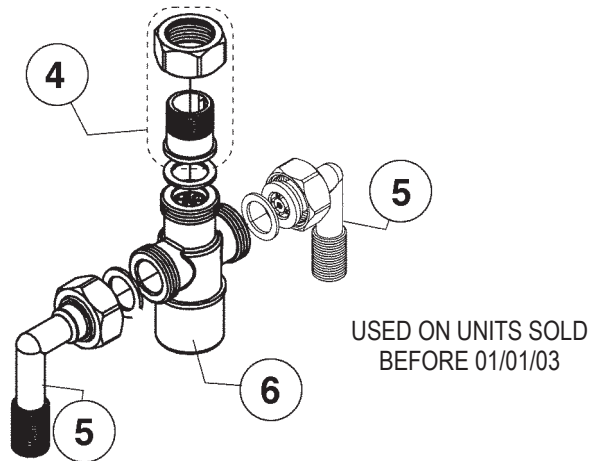
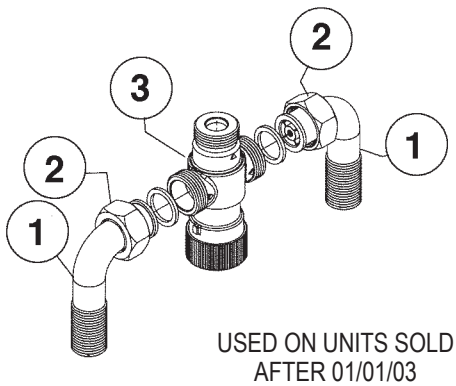
INTERSAN SANIFOUNT MANIFOLD SENSOR - WATER DISTRIBUTION HEAD

ITEM	PART #	DESCRIPTION
1	40531013	Washer
2	37301120	Screen
3		Valve coil
4		Brass valve body
5		Nylon valve body
5		Straight coupling
6	40531015	Soap repair kit
7		L-union coupling



INTERSAN SANIFOUNT TEMPERED MIXING VALVE (SANITMV-SET)

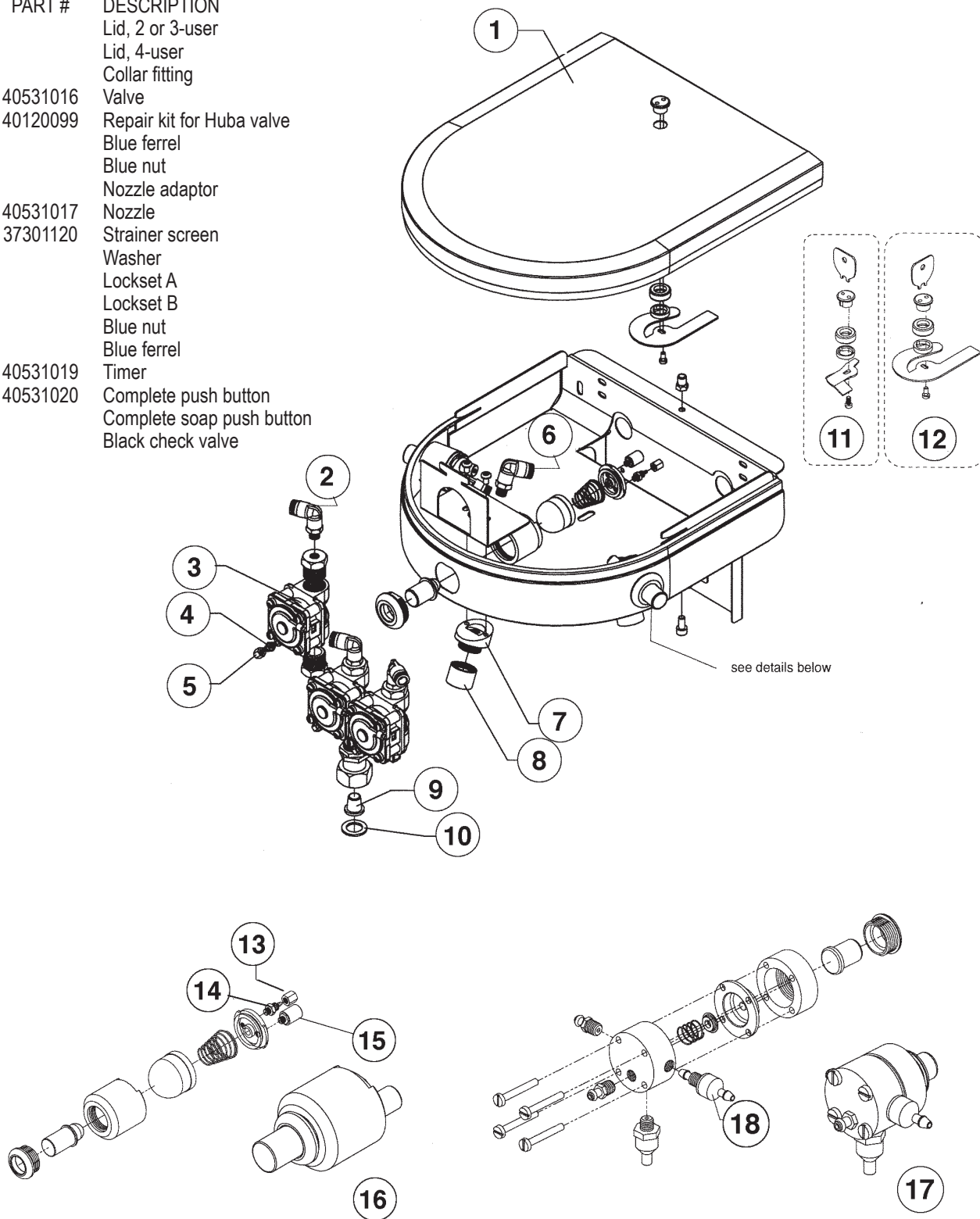
ITEM	PART #	DESCRIPTION
1		Elbow
2		Nut
3	40531010	Mixing valve
4		Connector
5		Elbow
6	40531012	Mixing valve



WASHFOUNTAINS

INTERSAN SANIFOUNT PUSHBUTTON WATER DISTRIBUTION HEAD

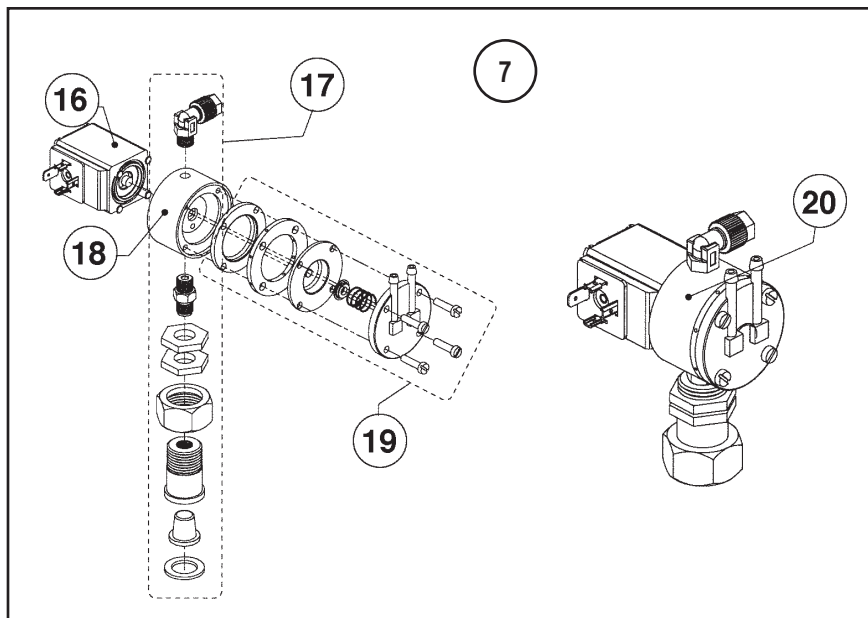
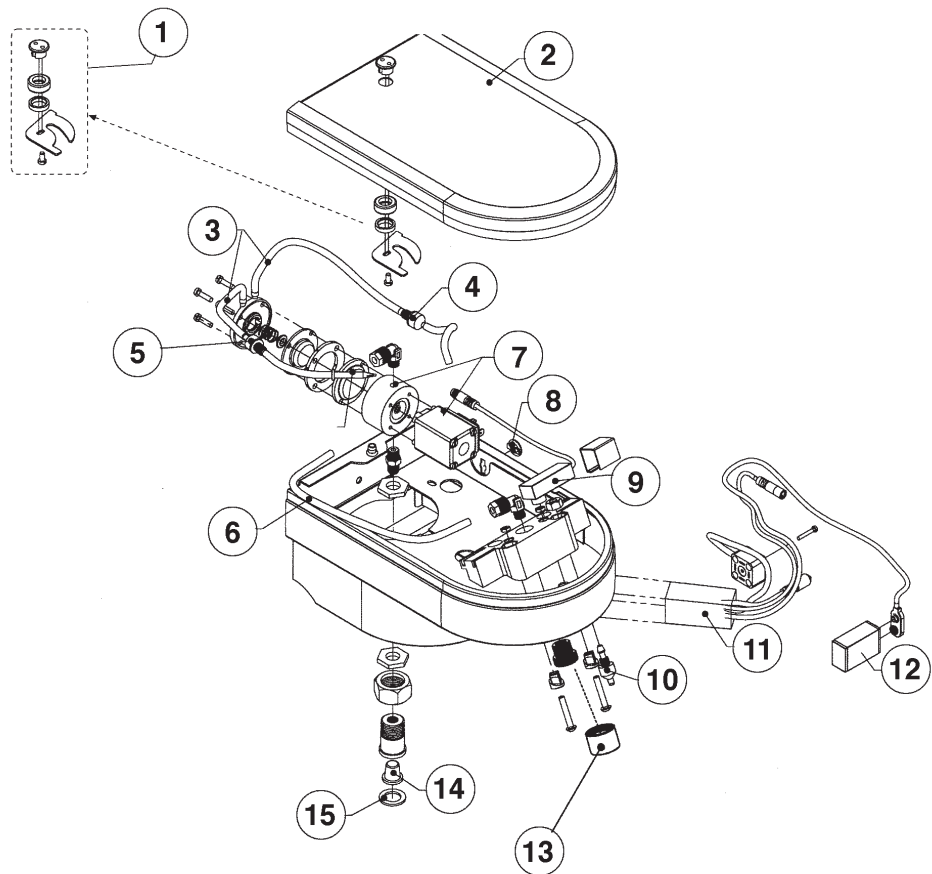
ITEM	PART #	DESCRIPTION
1		Lid, 2 or 3-user Lid, 4-user
2, 6		Collar fitting
3	40531016	Valve
	40120099	Repair kit for Huba valve
4		Blue ferrel
5		Blue nut
7		Nozzle adaptor
8	40531017	Nozzle
9	37301120	Strainer screen
10		Washer
11		Lockset A
12		Lockset B
13		Blue nut
14		Blue ferrel
15	40531019	Timer
16	40531020	Complete push button
17		Complete soap push button
18		Black check valve



WASHFOUNTAINS

INTERSAN SANIWAVE SENSOR WATER DISTRIBUTION HEAD

ITEM	PART #	DESCRIPTION
1		Lockwave (lock assembly)
2		Lid & lock
3		Soap tubing
4		Black check valve
5		White check valve
6		Needle
7		See Detailed drawings
8		Cap
9	40531021	Sensor
10		Soap nozzle
11	40531022	Microprocessor
12	37301170	Battery
13	40531017	Nozzle
14		Strainer
15		Washer
16		Coil
17		Valve repair kit
18		Brass valve body
19	40531015	Soap repair kit
20		Complete valve



**TOTAL
MAINTENANCE
SOLUTIONS**

HOUSTON
800/392-5066

ORLANDO
800/327-3022

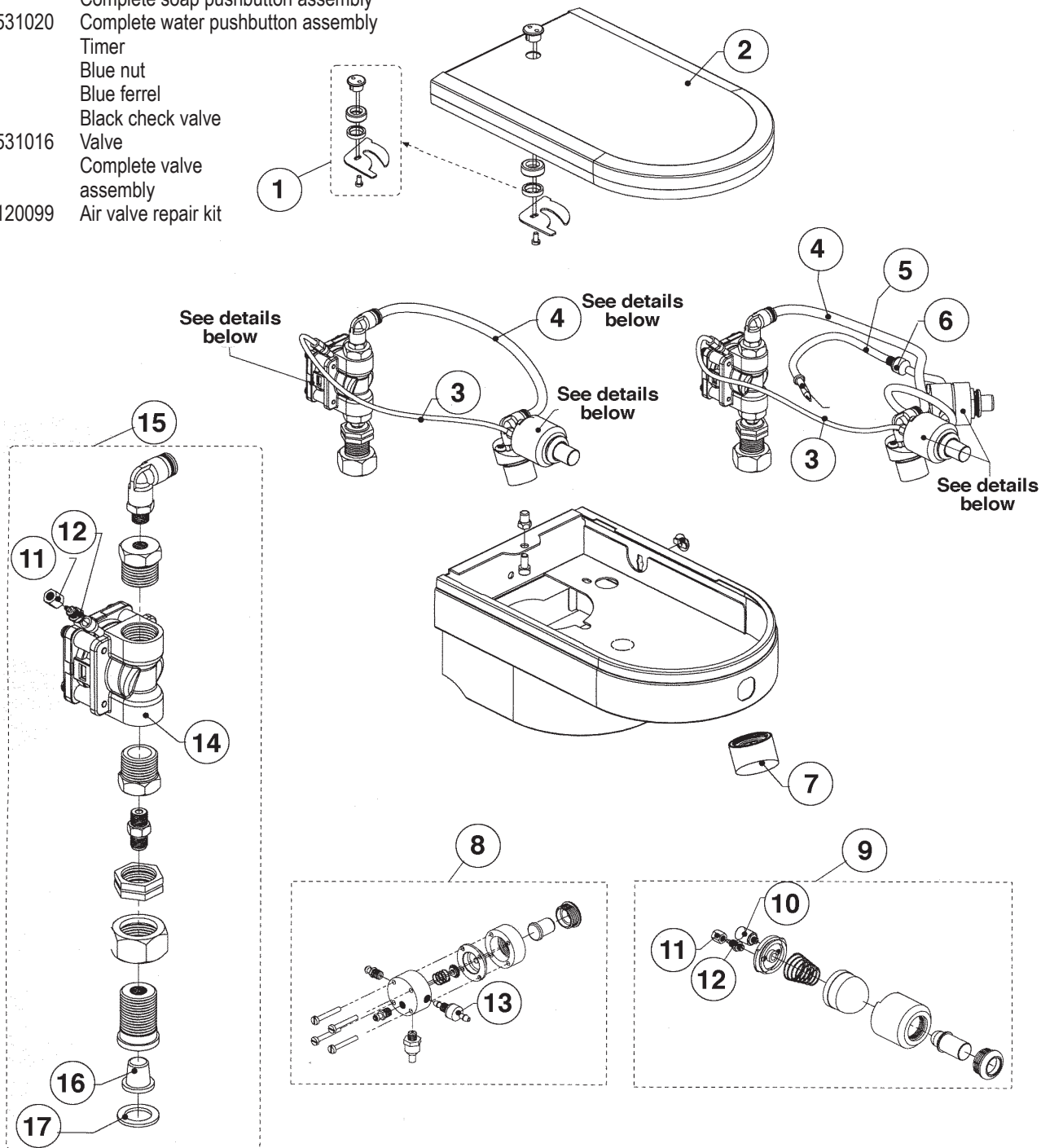
GREENVILLE
800/476-2212

LOOK FOR US ON THE WEB AT: www.TMSSouth.com

WASHFOUNTAINS

INTERSAN SANIWAVE PUSHBUTTON WATER DISTRIBUTION HEAD

ITEM	PART #	DESCRIPTION
1		Lockwave (lock assembly)
2		Lid and lock
3		Air tubing
4		Water tubing
5		Soap tubing
6		White check valve
7	40531017	Nozzle
8		Complete soap pushbutton assembly
9	40531020	Complete water pushbutton assembly
10		Timer
11		Blue nut
12		Blue ferrel
13		Black check valve
14	40531016	Valve
15		Complete valve assembly
	40120099	Air valve repair kit



**TOTAL
MAINTENANCE
SOLUTIONS**

HOUSTON
800/392-5066

ORLANDO
800/327-3022

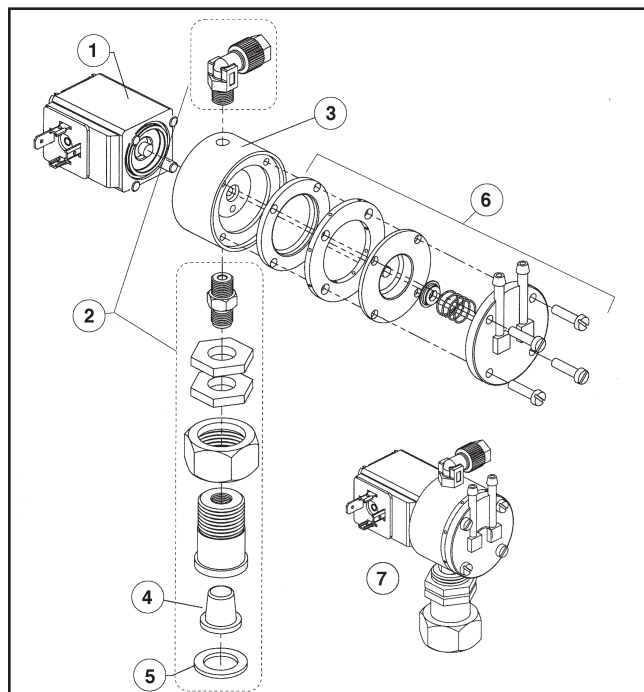
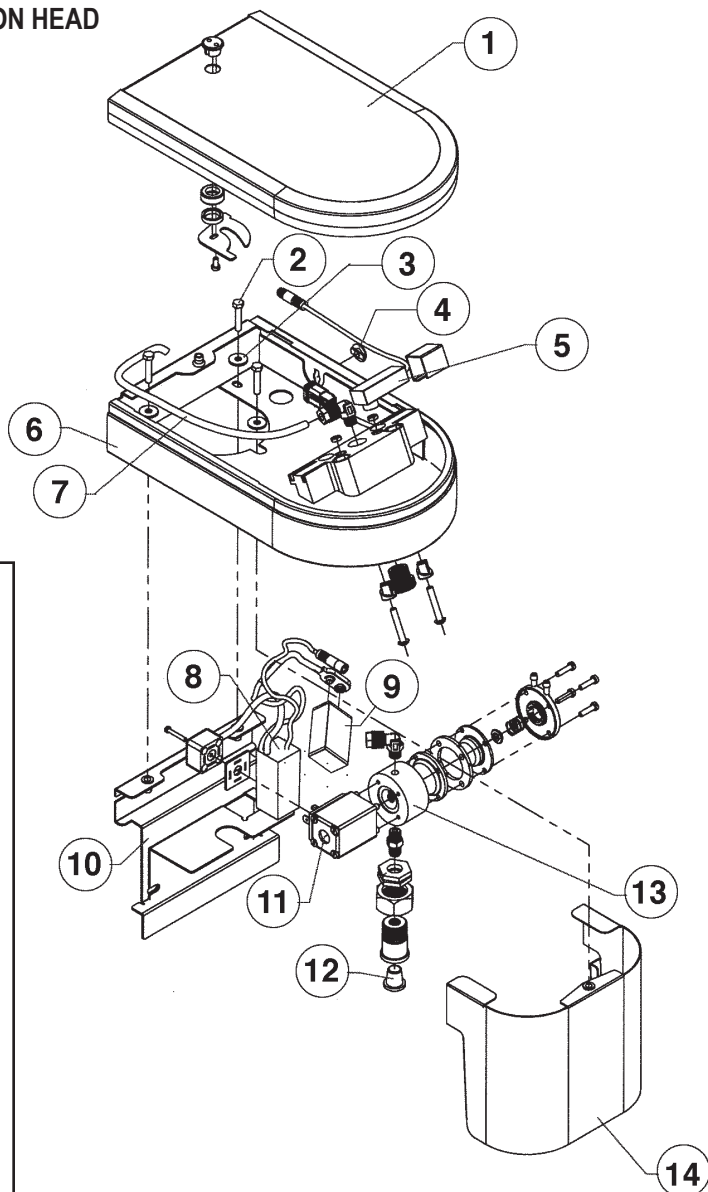
GREENVILLE
800/476-2212

LOOK FOR US ON THE WEB AT: www.TMSSouth.com

WASHFOUNTAINS

INTERSAN SOLIDWAVE SENSOR WATER DISTRIBUTION HEAD

ITEM	PART #	DESCRIPTION
1		Lid (w/o lock)
2		Screw
3		Flat washer
4		Black cover
5	40531023	Sensor
6		Shell
7		Water tube
8	40531022	Microprocessor
9	37301170	Battery
10		Back plate
11		Valve coil
12		Screen
13		Brass valve body
14		Nylon valve body
		Curved front



SOLIDWAVE VALVE

ITEM	PART #	DESCRIPTION
1		Valve coil
2		Solidwave repair kit
3		Brass valve body
4	37301120	Screen
5	40531024	Washer
6	40531015	Soap repair kit
7		Complete Solidwave valve



**TOTAL
MAINTENANCE
SOLUTIONS**

HOUSTON
800/392-5066

ORLANDO
800/327-3022

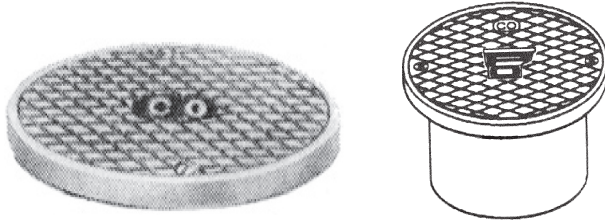
GREENVILLE
800/476-2212

LOOK FOR US ON THE WEB AT: www.TMSSouth.com

GRATES AND DRAINS

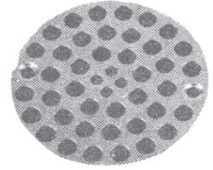
CLEANOUT COVERS

PART #	DESCRIPTION
47471082	4-11/16" Josam, 3 screw
47471084	6-5/16" Josam, 3 screw
47761070	5-7/16" Smith, 3 screw w/ closure plug
47941108	6-1/4" Wade, 3 screw
47991400	4-5/8" Zurn, 3 screw
47991402	6-1/8" Zurn, 3 screw
47691054	5-1/2" Brass replacement cover, 2 screw
47691056	5-1/2" Plastic replacement cover, 2 screw

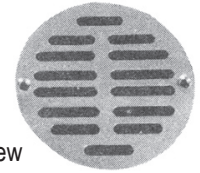


MISCELLANEOUS REPLACEMENT GRATES

PART #	DESCRIPTION
47692000	3-1/2" stainless steel, 2 screw
47692002	4" stainless steel, 2 screw
47693002	4" polished brass S/S, 2 screw
47694002	4" antique gold S/S, 2 screw
47556836	4-5/8" stainless steel, 2 screw



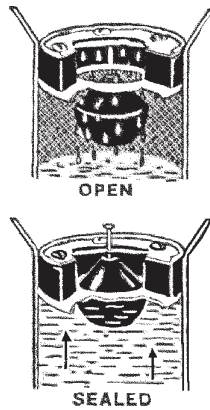
PART #	DESCRIPTION
47692004	4" polished bronze, 2 screw
47692005	4-1/4" polished bronze, 2 screw
40800567	4-3/4" polished bronze, 2 screw
40800536	5-1/2" polished bronze, 2 screw
47692008	7-1/2" polished nickel, 3 screw



FLOOD-GUARDS

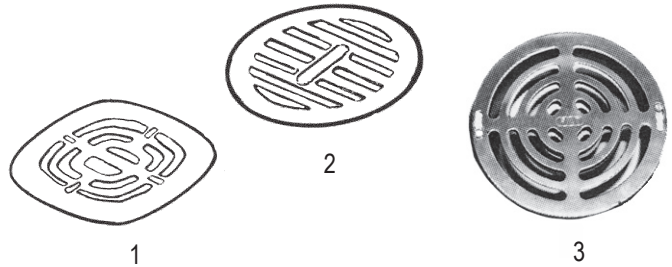
Prevents flooding in basements or low areas with drains. Operates like a check valve.

PART #	SIZE
40800154	For 2" Drains
40800155	For 3" Drains
40800156	For 4" Drains



FLAT STRAINERS

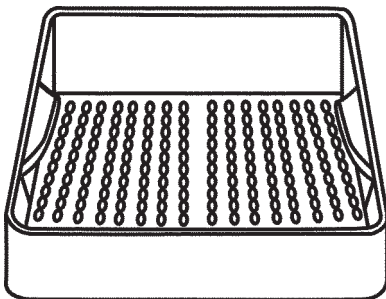
ITEM	PART #	DESCRIPTION
1	40801220	Shower strainer – Cascade 4-5/8"
2	40801221	Shower strainer – Terrazzo floors 4"
3	40801222	Flat strainer – molded stone mop basin
	40801223	Domed strainer – molded stone mop basin



DROP-IN FLOOR DRAIN STRAINER

Fits most deep, white floor drains. Keeps food, mop strings, etc. from clogging drain. 8-1/2" x 8-1/2" x 2-1/2" high.

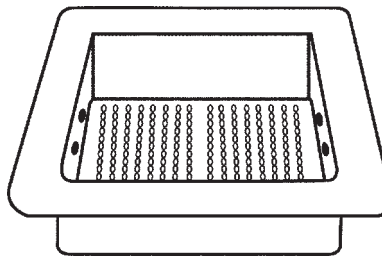
PART # 47501010



FLANGED FLOOR DRAIN STRAINER

11-3/4" top flange, 8-1/2" basket width and 4" high. Heavy duty plastic.

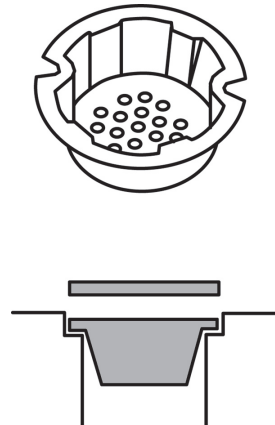
PART # 47501503



FLOOR DRAIN STRAINER

Fits most small floor drains.

PART # 47501012



**TOTAL
MAINTENANCE
SOLUTIONS**

HOUSTON
800/392-5066

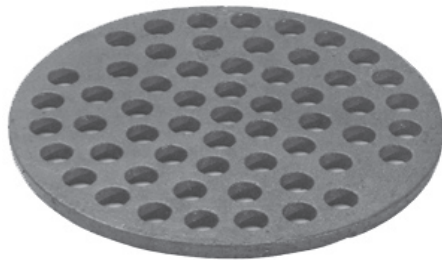
ORLANDO
800/327-3022

GREENVILLE
800/476-2212

LOOK FOR US ON THE WEB AT: www.TMSSouth.com

GRATES AND DRAINS

CAST IRON GRATES



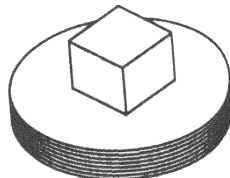
PART #	SIZE
40800133	5-1/2"
40800134	6"
47751034	6-1/4"
40800136	6-1/2"
47751040	6-3/4"
40800139	7"
47751037	7-1/4"
47751041	7-1/2"
47751042	7-3/4"
40801039	8"
47750127	8-1/4"
47751046	8-1/2"
47691010	8-3/4"
47752036	9"
40800142	9-1/4"
40800157	9-1/2"
47751052	9-3/4"
40800143	10"
47751024	11-3/8"

**Our website is
coming soon!**

www.tmsouth.com

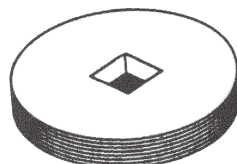
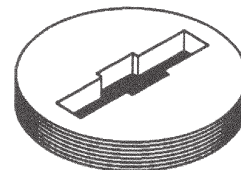
CLEAN-OUT PLUGS (HOLLOW)

PART #	DESCRIPTION
52750011	1-1/2" raised hub brass clean-out
40800178	2" raised hub brass clean-out
40800180	2-1/2" raised hub brass clean-out
40800182	3" raised hub brass clean-out
40800184	3-1/2" raised hub brass clean-out
40800186	4" raised hub brass clean-out
40800188	5" raised hub brass clean-out
40800190	6" raised hub brass clean-out
40801027	8" raised hub brass clean-out



PART #	DESCRIPTION
96925938	1-1/2" raised hub PVC clean-out
96925939	2" raised hub PVC clean-out
40801028	2-1/2" raised hub PVC clean-out
96925941	3" raised hub PVC clean-out
40801029	3-1/2" raised hub PVC clean-out
40900961	4" raised hub PVC clean-out
96926146	6" raised hub PVC clean-out

PART #	DESCRIPTION
40801030	1-1/2" countersunk PVC clean-out
96690009	2" countersunk PVC clean-out
40801031	2-1/2" countersunk PVC clean-out
96690010	3" countersunk PVC clean-out
40801032	3-1/2" countersunk PVC clean-out
96690011	4" countersunk PVC clean-out



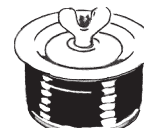
PART #	DESCRIPTION
52750110	1-1/4" countersunk brass clean-out
52750111	1-1/2" countersunk brass clean-out
40800179	2" countersunk brass clean-out
40800181	2-1/2" countersunk brass clean-out
40800183	3" countersunk brass clean-out
40800185	3-1/2" countersunk brass clean-out
40800187	4" countersunk brass clean-out
40800189	5" countersunk brass clean-out
40800191	6" countersunk brass clean-out

RUBBER EXPANSION PLUGS

Stainless steel slotted screw, washer and wing nut.



3/4" thru 1-1/2"



1-1/2" thru 4"

PART #	DESCRIPTION	PART #	DESCRIPTION
52371391	3/4" & 1" pipe	52371396	1-1/2" fitting
52371392	1" fitting	40800145	1-1/2" Pipe Econo Plug
40800634	1-1/4" pipe	40800146	2" Pipe Econo Plug
52371394	1-1/2" pipe	40800147	3" Pipe Econo Plug
52371395	1-1/2" pipe / 1-1/4" fitting	40800148	4" Pipe Econo Plug



**TOTAL
MAINTENANCE
SOLUTIONS**

HOUSTON
800/392-5066

ORLANDO
800/327-3022

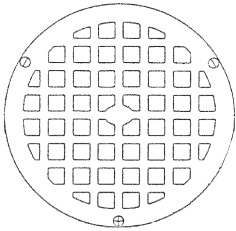
GREENVILLE
800/476-2212

LOOK FOR US ON THE WEB AT: www.TMSSouth.com

GRATES AND DRAINS

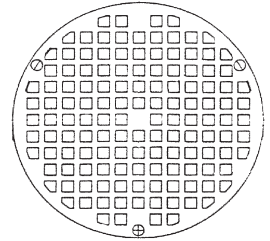
ZURN REPLACEMENT GRATES

ZURN Z-400 & Z-415 TYPE "N"



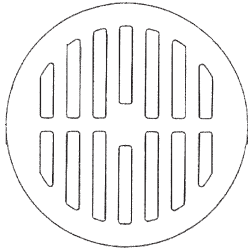
PART #	DESCRIPTION
40800404	7" x 3/16"
40800405	9" x 3/16"

ZURN Z-400 & Z-415 TYPE "B"



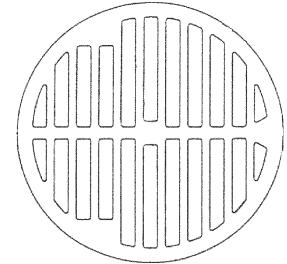
PART #	DESCRIPTION
40800270	5" Brass grate, 3 screw
40800271	6" Brass grate, 3 screw

ZURN Z-500 SERIES



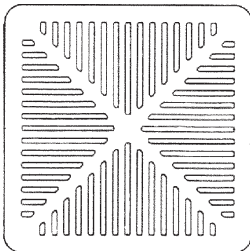
PART #	DESCRIPTION
40800406	Z-554, 6"
40800407	Z-508, 8"

ZURN Z-700 SERIES

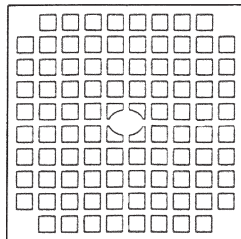


PART #	DESCRIPTION
40800408	Z-742, 7"
47990430	Z-730, 8-1/4"

ZURN SQUARE REPLACEMENT GRATES



Z-154 / Z-158

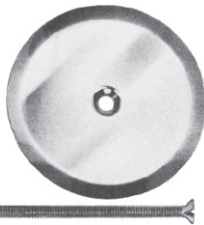


Z-400S

PART #	DESCRIPTION
40800369	4-5/8" x 4-5/8", Z-400S, bronze grate, 4 screw
40800370	5-5/8" x 5-5/8", Z-400S, bronze grate, 4 screw
40800371	6-5/8" x 6-5/8", Z-158, bronze grate
40800372	8-7/8" x 8-7/8", Z-154, bronze grate

ROUND ACCESS COVERS

PART #	DESCRIPTION
40800203	3" Dia. Stainless Steel
40800204	4" Dia. Stainless Steel
40800205	5" Dia. Stainless Steel
40800206	6" Dia. Stainless Steel
40800208	8" Dia. Stainless Steel
40800212	1/4" x 4" Machine Screw
40800213	1/4" x 6" Machine Screw



SNAP-ON DRAIN GRIDS

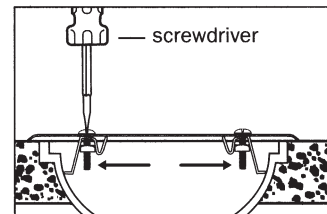
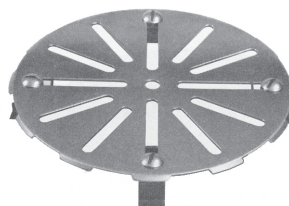
PART #	DESCRIPTION
40800109	3" Snap-On drain cover for 2" drain
40800110	4" Snap-On drain cover for 3" drain
40800111	5" Snap-On drain cover for 4" drain



SIoux CHIEF REPLACE-IT™ ADJUSTABLE DRAIN STRAINER

Replaces old, rusted and broken cast iron strainer or bar grates. S/S, corrosion proof. Adjustable screw clips to fit almost any drain. 7-1/4" dia., for 3-1/4" - 6-3/4" drain openings.

PART # 40800274



Install strainer in the drain opening. Slide the clip sets outward until they contact the drain. Tighten bolts.



TOTAL MAINTENANCE SOLUTIONS

HOUSTON
800/392-5066

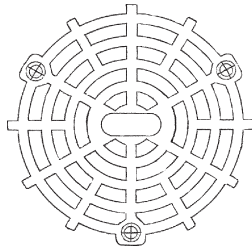
ORLANDO
800/327-3022

GREENVILLE
800/476-2212

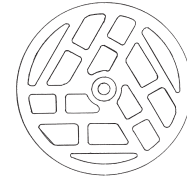
LOOK FOR US ON THE WEB AT: www.TMSSouth.com

GRATES AND DRAINS

JOSAM REPLACEMENT GRATES



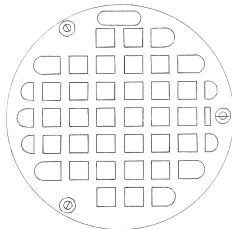
PART #	DESCRIPTION
40800316	3-5/8" Brass strainer, 3 screw
40800268	4-5/8" Brass strainer, 3 screw
40800269	5-1/4" Brass strainer, 3 screw
40800317	6-7/16" Brass strainer, 3 screw
40800318	7-1/8" Brass strainer, 3 screw



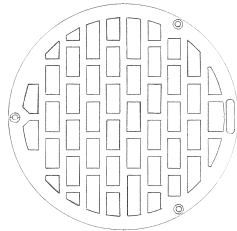
3-1/2" Satin Brass w/ center screw hole.
PART # 40800330

MORE BRASS REPLACEMENT GRATES

PART #	DESCRIPTION
40800319	5-17/64", Brass 3 screw, 6E-1
40800320	6-7/16", Brass 3 screw, 7E-1
40800322	7-1/4", Brass 3 screw, 9AD
40800321	8-1/8", Brass 3 screw, 9A-2

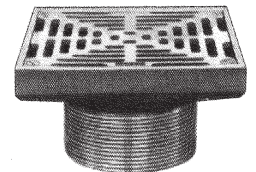
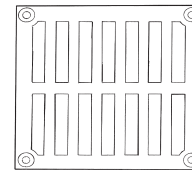


Josam 6E-1 & 7E-1



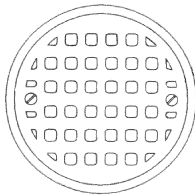
Josam 9-A

JOSAM SQUARE GRATES

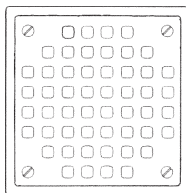


PART #	DESCRIPTION
40800323	4-1/2" x 4-1/2" bronze grate, 4 screw
40800324	5-5/8" x 5-5/8" bronze grate, 4 screw

SMITH REPLACEMENT GRATES



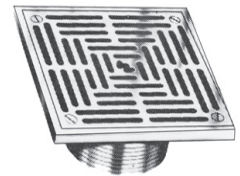
PART #	DESCRIPTION
40800409	4-5/8" Nickel bronze grate, 2 screw
40800410	5-5/8" Nickel bronze grate, 2 screw
40800411	6-3/8" Nickel bronze grate, 2 screw



PART #	DESCRIPTION
40800368	5" x 5" Bronze grate, 4 screw
40800412	6" x 6" Bronze grate, 4 screw
40800413	8" x 8" Bronze grate, 4 screw

WADE REPLACEMENT GRATES

PART #	DESCRIPTION
40800325	3-1/2" x 3-1/2" Bronze grate, 4 screw
40800326	4-9/16" x 4-9/16" Bronze grate, 4 screw

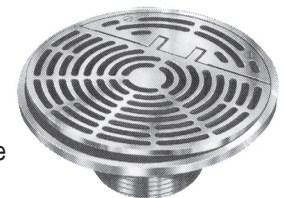


PART #	DESCRIPTION
40800327	4-5/8" Brass grate, 2 screw
40800328	5-3/8" Brass grate, 3 screw



TYPE "D" HINGED GRATE

PART #	DESCRIPTION
40800329	6" Nickel Bronze strainer, w/ hinged grate



**TOTAL
MAINTENANCE
SOLUTIONS**

HOUSTON
800/392-5066

ORLANDO
800/327-3022

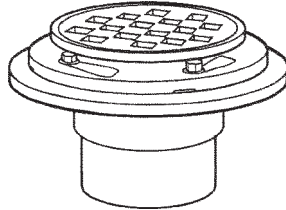
GREENVILLE
800/476-2212

LOOK FOR US ON THE WEB AT: www.TMSSouth.com

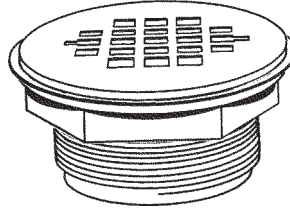
GRATES AND DRAINS

MISCELLANEOUS FLOOR DRAINS

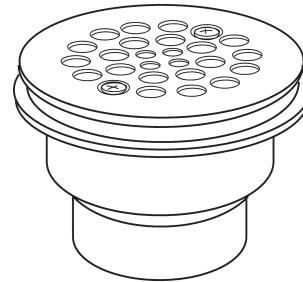
PART #	DESCRIPTION
40800557	2 x 3 Bolt-down shower drain
40800558	Floor grate shower stall drain – 2" with stainless steel strainer
40800373	Chrome plated no-caulk shower stall drain
40800374	Polished brass no-caulk shower stall drain



40800557



40800373 and
40800374



40800558

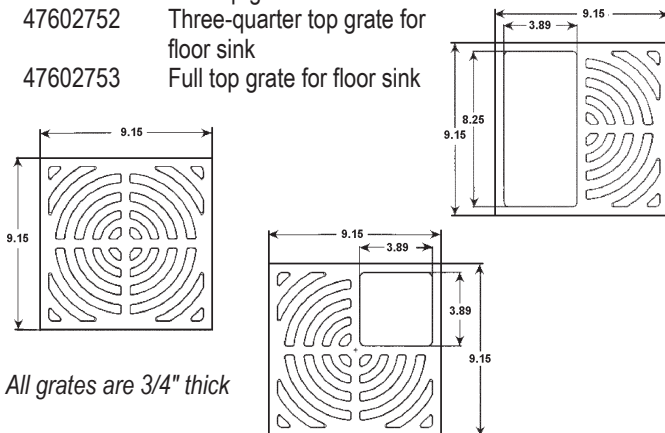
TRAP STANDARDS

PART #	DESCRIPTION
47766001	Smith CP strainer w/ gasket 9110SCP
47766005	Smith, gasket only for CP strainer 70272-94-6
47766010	Smith, gasket for CP strainer in S/S sink 70693-94-6
47766015	Smith Floor Flange 02898-21-1
47766020	Smith Nipple for flange 74020-81-50-026
47766025	Smith Locknut 76333-86-6
47766030	Smith bronze cleanout plug w/ o-ring, 00726-50-4
47766035	Smith O-Ring only 70629-94-6
01898040	American Standard grid drain 015809-0020A
01898045	American Standard strainer cover 078479-0020A
01898050	American Standard cleanout plug 028916-0070A
01898055	American Standard cleanout plug washer 000223-0070A
09893400	Kohler strainer plate for K-6673
09893380	Kohler strainer gasket for K-6673
09893384	Kohler cleanout plug for K-6673
09893385	Kohler cleanout plug gasket only for K-6673



OATEY PVC TOP GRATES FOR FLOOR SINKS

PART #	DESCRIPTION
47602751	Half top grate for floor sink
47602752	Three-quarter top grate for floor sink
47602753	Full top grate for floor sink



All grates are 3/4" thick

Did You Know?

The earth is a closed system, similar to a terrarium, meaning that it rarely loses or gains extra matter. The same water that existed on the earth millions of years ago is still present today.



**TOTAL
MAINTENANCE
SOLUTIONS**

HOUSTON
800/392-5066

ORLANDO
800/327-3022

GREENVILLE
800/476-2212

LOOK FOR US ON THE WEB AT: www.TMSSouth.com

GRATES AND DRAINS

CHEMICAL RESISTANT FLOOR SINKS

PART #	DESCRIPTION
47991900	Zurn Z-1900, 12" x 12" Sani-Flor Receptor
47991926	Zurn Z-1926, 16" x 16" Sani-Flor Receptor
47991910	Zurn Z-1910, 8" x 8" Sani-Flor Receptor
47991930	Zurn Z-1930, 8" x 4" Sani-Flor Receptor
47991960	Zurn Z-1960, 8" Diameter Sani-Flor Receptor
*	Dome strainers same as 1800 series



ZURN 1900 SERIES SANI-FLORECEPTORS ARE MEDIUM DUTY FLOOR SINKS, WITH WHITE ACID RESISTING PORCELAIN ENAMEL INTERIORS AND TOPS, WITH ANTI-SPLASH BOTTOM DOME STRAINERS. AVAILABLE IN MULTIPLE GRATE SIZES, SHAPES, AND SUMP DEPTHS.



Z-1926

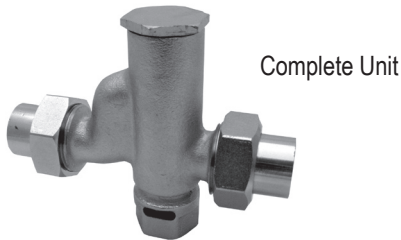


Z-1900

TRAP PRIMERS AND KITS

ZURN

PART #	DESCRIPTION
40801200	Manufactured from 1959 – 1984
40801201	Manufactured from 1984 – 1999
40801202	Manufactured from 1999 – Present
40801205	Complete Unit



Complete Unit



1959-1984



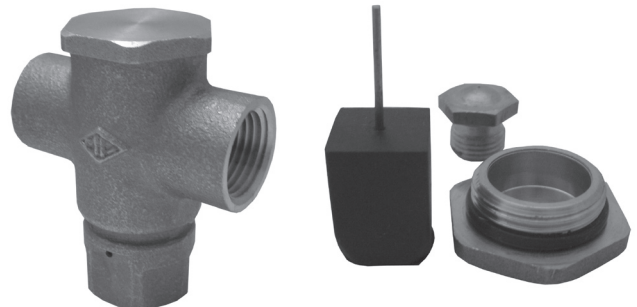
1984-1999



1999-Present

JOSAM REPAIR KIT

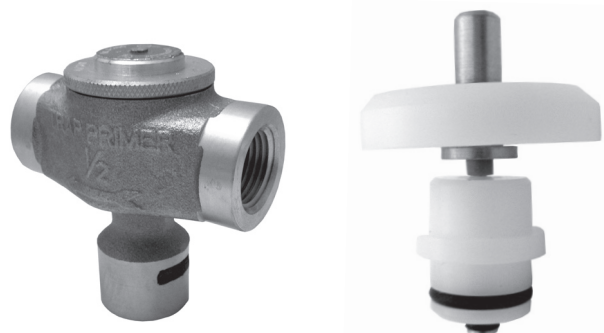
PART # 40801203
Complete Unit # 40801206



Complete Unit

WATTS/JR SMITH REPAIR KIT

PART # 40801204
Complete Unit # 40801207



Complete Unit



HOUSTON
800/392-5066

ORLANDO
800/327-3022

GREENVILLE
800/476-2212

LOOK FOR US ON THE WEB AT: www.TMSSouth.com

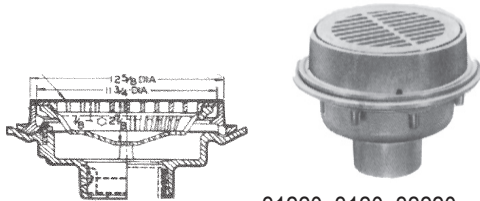
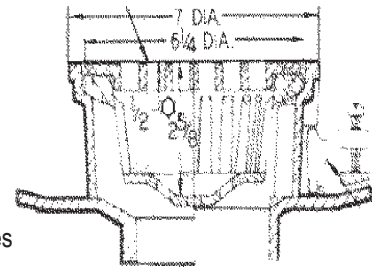
GRATES AND DRAINS

JOSAM IRON GRATES & BUCKETS

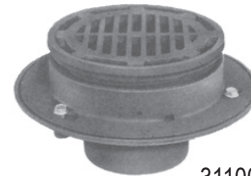
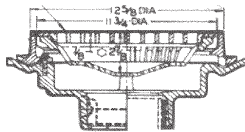
PART #	DESCRIPTION
47472080	Grate 32020 (34220) series, 6-1/4"
47472075	Grate 31100 series, 8-1/8"
47472076	Grate 31200 series, 11-3/4"
47473918	Grate 31120, 32120 & 32130 series, 8-1/8"
47473921	Bucket 31120, 31120, 32130 series
47472030	Grate 31220, 31230, 32220, 32320 series 11-3/4"
47473000	Bucket 31220, 31230, 32220 series
47472090	Bucket 32320 series
47472070	Tractor Top Grate 31600 series 7-1/4"
47472060	Tractor Top Grate 31700 & 31710 series 10"



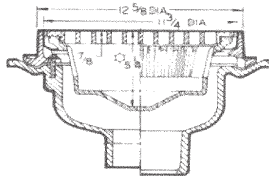
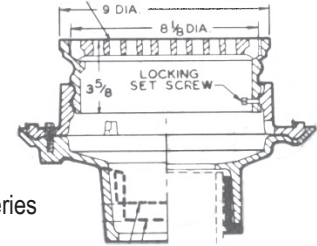
32030 Series



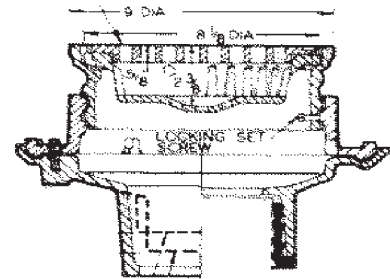
31220, 3120, 32220 & 32320 Series



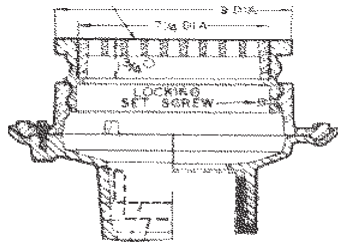
31100 Series



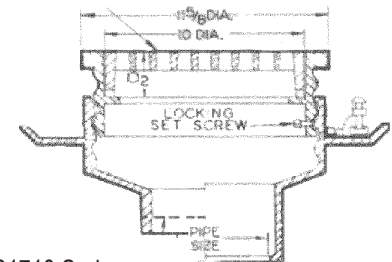
31120, 32120 & 32130 Series



31600 Series



31700 & 31710 Series

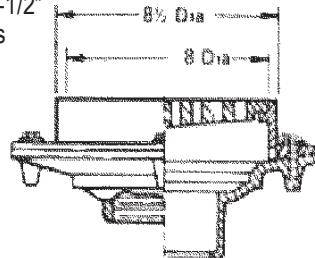


MISCELLANEOUS BUCKETS & GRATES

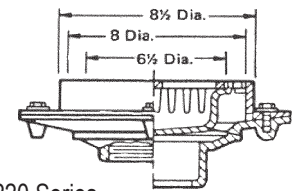
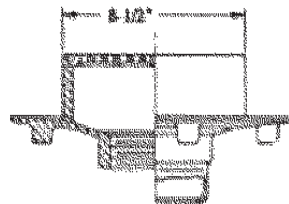
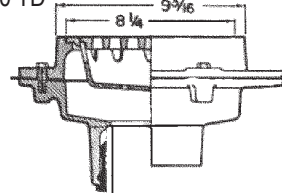
PART #	DESCRIPTION
47762112	Smith Grate 2110 series 8"
47762220	Smith Grate 2220 series 6-1/2"
47762221	Smith Bucket 2220 series
47941310	Wade Grate W-1310TD
47941311	Wade Bucket W-1310TD
47990550	Zurn Grate Z-550 series 8-1/2"
47990551	Zurn Bucket Z-550Y series



2110 Series



W-1310 TD



2220 Series



Z-550 Series



**TOTAL
MAINTENANCE
SOLUTIONS**

HOUSTON
800/392-5066

ORLANDO
800/327-3022

GREENVILLE
800/476-2212

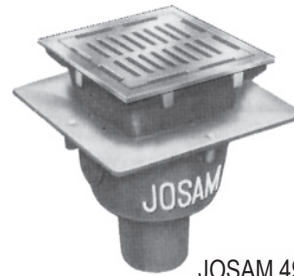
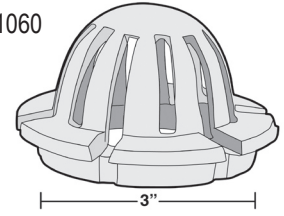
LOOK FOR US ON THE WEB AT: www.TMSSouth.com

GRATES AND DRAINS

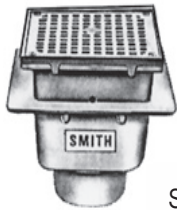
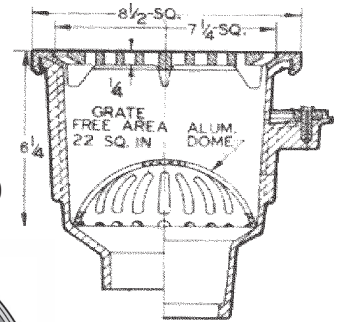
FLOOR SINK GRATES & STRAINERS

PART #	DESCRIPTION
40801060	Jones Stephens Dome Strainer for PVC floor sinks
47474900	Josam Grate 49000 series
47474901	Josam Dome Strainer 49000 series
47763100	Smith Grate 3100 series
47763101	Smith Dome Strainer 3100 series (small)
47763105	Smith Dome Strainer 3100 series (large)
47949140	Wade Grate 9140 series
47949141	Wade Dome Strainer 9140 series
47991800	Zurn Grate ZN-1800 series
47991802	Zurn Dome Strainer ZN-1800 series, aluminum
40800360	Zurn Dome Strainer, 6-5/8" aluminum
47991810	Zurn Grate ZN-1810 series
40800358	Zurn Dome Strainer ZN-1810 series, 6" poly
40800359	Zurn Dom Strainer, 6-5/8" poly

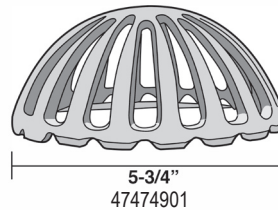
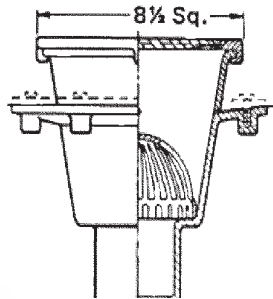
40801060



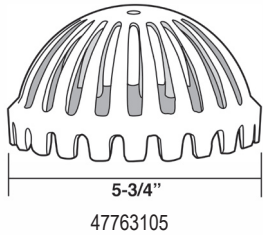
JOSAM 49000



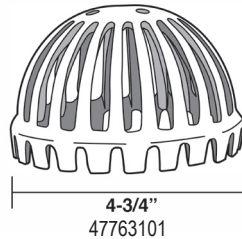
SMITH 3100



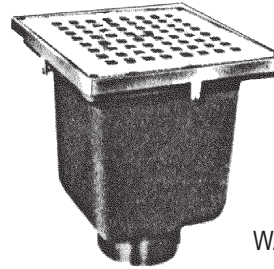
5-3/4"
47763101



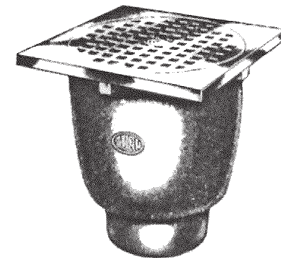
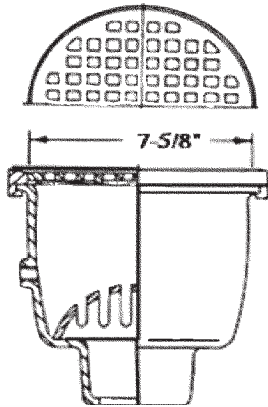
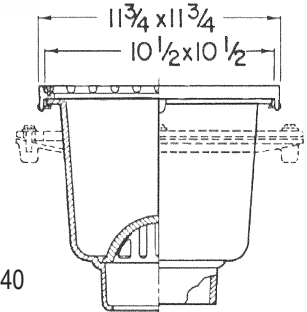
5-3/4"
47763105



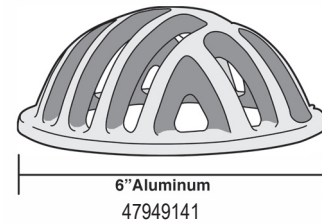
4-3/4"
47763101



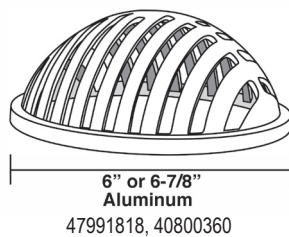
WADE 9140



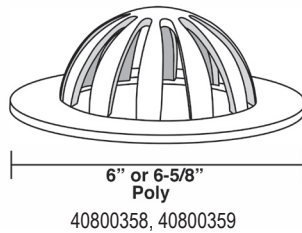
ZURN 1810



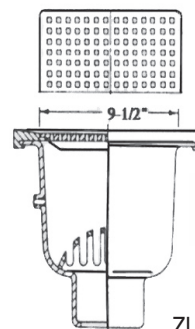
6" Aluminum
47949141



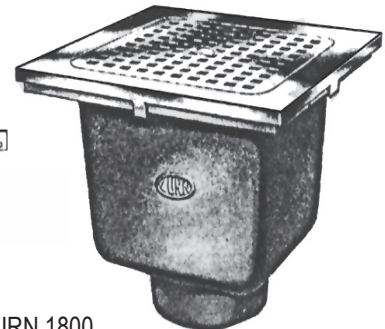
6" or 6-7/8"
Aluminum
47991818, 40800360



6" or 6-5/8"
Poly
40800358, 40800359



ZURN 1800



MORE FLOOR STRAINERS ON PAGE 2-9



**TOTAL
MAINTENANCE
SOLUTIONS**

HOUSTON
800/392-5066

ORLANDO
800/327-3022

GREENVILLE
800/476-2212

LOOK FOR US ON THE WEB AT: www.TMSSouth.com

TUB & SHOWER REPAIRS/ACCESSORIES

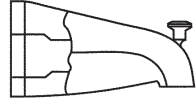
TUB SPOUT TYPES



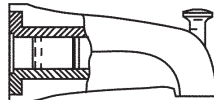
THREADED NOSE
END CONNECTION



THREADED WALL
END CONNECTION



SLIDE CONNECTION
FITS OVER 5/8" OD
COPPER 1-3/4" ADJ. TEL.



THREADED WALL END
1" ADJUSTABLE
TELESCOPING

TUB FILLER SPOUTS

PART #	DESCRIPTION
40520051	5-1/2" spout connects to 1/2" IPS at nose end.
79213038	Connects to 1/2" IPS at nose end. Solid Brass
79993008	Connects to 3/4" or 1/2" at nose end.
40520063	Slide Connects to 1/2" CWT at wall end.
79213040	Connects to 1/2" IPS at wall end. Solid Brass
40520078	Connects to 3/4" or 1/2" IPS at wall end. 1" adjustable telescoping.
79993034	Connects to 1/2" IPS at nose end. Polished Brass finish.
79993112	Connects to 1/2" IPS at nose end. White.
79993115	Connects to 1/2" IPS at nose end. Satin nickel.
79993035	Connects to 1/2" IPS at nose end. Antique Brass finish.



40520051

TUB FILLER & DIVERTER LONG SPOUTS

PART #	DESCRIPTION
79993002	7" spout connects 1/2" IPS at nose end.
79993004	7" div. spout connects 1/2" IPS at nose end.
79993022	8-3/8" diverter spout. Connects to 3/4" or 1/2" IPS at nose end.
79993025	8-1/2" solid brass diverter spout. Connects to 3/4" or 1/2" IPS at nose end.
79993024	8-1/2" solid brass filler spout. Connects to 3/4" or 1/2" IPS at wall end.



79993024



79993025
79993025

DIVERTER SPOUTS-WALL END CONNECTION

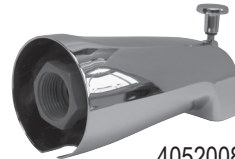
PART #	DESCRIPTION
79993012	Connects to 1/2" IPS at wall end.
79993010	CP slip fit. 5/8" Tube OD Copper
40520018	Connects to 3/4" or 1/2" IPS at wall end.
79993030	Same as 79993013. Polished Brass finish.
79993014	Connects to 3/4" or 1/2" IPS at wall end. Has 1/2" IPS top adapter for hand held shower.
40520073	Connects to 3/4" or 1/2" IPS at wall end. Has 3/8" IPS top swivel nut.
40520052	Slide connects to 1/2" CWT at wall end.
79993220	Same as 79993019. Chrome/gold.
79993222	Same as 79993019. White/gold.
79993028	Same as 79993019. Antique Brass finish.
40520083	Connects to 3/4" or 1/2" IPS at wall end. 1" adjustable telescoping. Chrome.
79993017	1/2" IPS bottom adapter for hand held shower
40520029	Solid brass diverter, 3/4" wall end connection



79993012
40520018
79993030



40520073



40520083



40520052
79993028



79993014



40520029

DIVERTER SPOUTS – NOSE END CONNECTION

Connects to 1/2" IPS

PART #	DESCRIPTION
40520039	Chrome
79993202	PVD – polished brass
79993204	White
79993210	Chrome/gold
79990158	Same as 40520039 with 4-in-1 kit
79993212	White/gold
79993215	Satin nickel



**TOTAL
MAINTENANCE
SOLUTIONS**

HOUSTON
800/392-5066

ORLANDO
800/327-3022

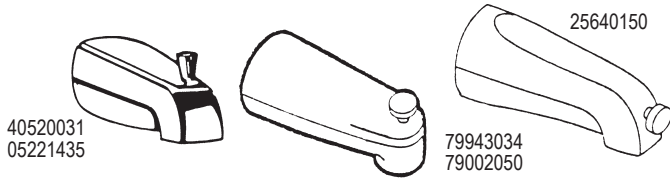
GREENVILLE
800/476-2212

LOOK FOR US ON THE WEB AT: www.TMSSouth.com

TUB & SHOWER REPAIRS/ACCESSORIES

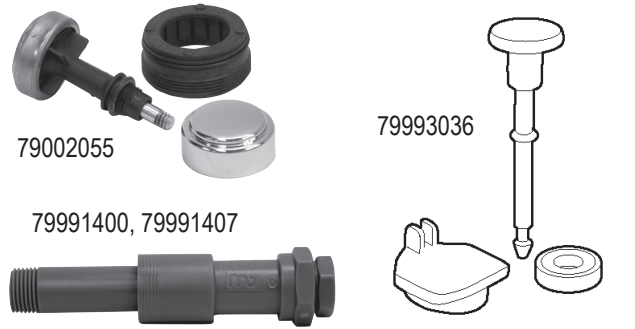
SPECIAL APPLICATION DIVERTER SPOUTS

PART #	DESCRIPTION
25640150	Mixet diverter spout. 1/2" CWT at wall end.
05221435	Delta, 1/2" ID, 1/2" CWT (RP17453)
40520031	Delta diverter spout. 1/2" CWT slip-on (RP5836)
79943034	Speakman diverter spout. 1/2" IPS at nose end.
79002050	Speakman diverter spout. 3/4" IPS at nose end.
40520083	Adjustable tub diverter spout



REPAIR KITS & ACCESSORIES

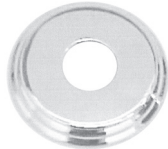
PART #	DESCRIPTION
79163010	Brass bushing 1/2" x 3/8"
79992024	Brass bushing 3/4" x 1/2"
79992026	Plastic bushing 3/4" x 1/2"
79163002	1/2" mpt x 3/8" mpt adapter
79002055	Repair Kit for 79943034 & 79002050 spout
79993036	Diverter spout repair kit (zinc/plastic)
79202028	Clamping screw – used on 40520052 and other slide connect spout.
25640100	Copper water tube retainer clip.
79994018	Spout trim ring
79990518	Universal spout
79991400	4-in-1 tub spout attachment kit
79991407	Same as 79991400 for 7" spouts



TUB SPOUT TO WALL SPACER/TRIM

Eliminates gap PLUS covers ring from previous installation

PART #	DESCRIPTION
79994018	Brass chrome plated
79994019	Polished brass finish



BATH WASTE & OVERFLOW PLATES

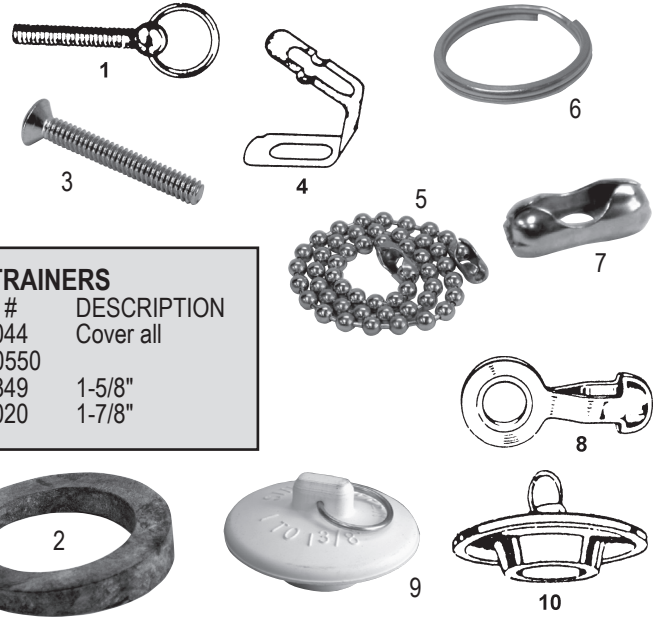
ITEM	PART #	DESCRIPTION
1	40520060	Overflow plate w/Square handle with screws
	79992009	Same as 40520060 – Antique Brass
	79992011	Same as 40520060 – Polished Brass
	40520023	Overflow plate with square handle less screws
2	79992010	Overflow plate with serrated safety handle – chrome
	79992106	Overflow plate with serrated safety handle – white
	79992102	Overflow plate with serrated safety handle – chrome/gold
	79992104	Overflow plate with serrated safety handle – white/gold
3	79992016	Overflow plate for use with stopper & chain – chrome
	79992329	Overflow plate for use with stopper & chain – PVD
4	79992015	Overflow plate for use with lift & turn or Tip-Toe stopper – satin nickel
	40520025	Overflow plate for use with lift & turn or Tip-Toe stopper – chrome
	79992017	Same as 40520025 – Antique Brass
	79992019	Same as 40520025 – Polished Brass
5	47161002	Overflow strainer plate 3-1/8" with chain & stopper
6	40520210	Satin Nickel faceplate with 1 hole
7	40520218	Satin Nickel bath drain grid



TUB & SHOWER REPAIRS/ACCESSORIES

WASTE & OVERFLOW ACCESSORIES

ITEM	PART #	DESCRIPTION
1	79162021	1-3/4" Waste & Overflow bolt w/ring
2	40451203	3" OD x 1-7/8" ID beveled Waste & Overflow washer
	44735004	3-3/16" x 2-3/8" ID beveled Waste & Overflow washer
	44735006	2-5/8" OD x 1-3/4" ID flat Waste & Overflow washer
	40211310	3-3/16" OD x 2-1/8" ID beveled sponge rubber W&O washer
3	40520026	1-1/2" CP slotted drive oval head W&O plate screw
	79992021	P/B 1/4 x 1" W&O plate screw
4	79992022	Spring clip for waste & overflow
5	40800588	11" Bead Chain with B couplings
	44000110	15" Bead Chain with B couplings
6	40800592	Basin plug ring, double wire 3/4"
7	40800590	"B" Coupling
8	40800589	"A" Coupling
9	44586002	1" Bath & Basin stopper-white rubber
	40800619	1-1/8" Bath & Basin stopper-white rubber
	40800620	1-1/4" Bath & Basin stopper-white rubber
	44586008	1-3/8" Bath & Basin stopper-white rubber
	44586010	1-1/2" Bath & Basin stopper-white rubber
	44586012	1-5/8" Bath & Basin stopper-white rubber
	44586014	1-3/4" Bath & Basin stopper-white rubber
	44586016	2" Bath & Basin stopper-white rubber
10	40800617	1-1/2" to 2" Fit-All Bath stopper-white rubber



TUB STRAINERS

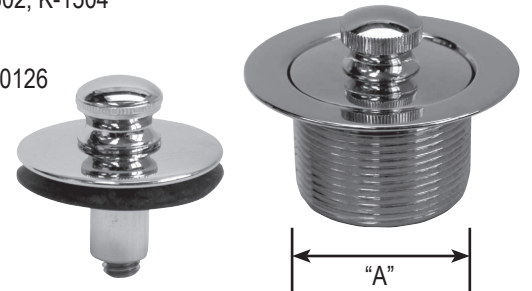
PART #	DESCRIPTION
47001044	Cover all
or 07290550	
40800849	1-5/8"
47161020	1-7/8"



LIFT & TURN STOPPER ASSEMBLIES

PART #	THRD/INCH	"A" DIA.	STOPPER SEAL TYPE
40800428	16	1-5/8"	Ground Joint
40800844	11-1/2(1-1/2NPS)	1-7/8"	Ground Joint
47002005	16 (1-1/2" Fine)	1-13/16"	Ground Joint
40800845	14(1-1/4"Coarse)	1-5/8"	Ground Joint
47002007	14(1-1/2"Coarse)	1-13/16"	Ground Joint
40800848	16 (2" Fine)	2-1/8"	O-Ring
47002011	14	1-15/16"	O-Ring
47002207	Same as 47002003 – PVD		
47002206	Same as 47002004 – PVD		

WHERE USED
 Am. Std. 70376-02, Crane 279, Rapid Fit SK-102, Sterling A8083, U/B 3312
 Am. Std. 72196-02, 28287-02, Gerber 97-180, P/P 972-571, Speakman 21-0162
 Central Brass 3036A, Union Brass P30373
 Briggs BR-35, Sayco K-1502, K-1504
 Crane F2863
 Kohler 29060
 Eljer 1765, Speakman 21-0126



STOPPERS ONLY

PART #	DESCRIPTION
47002018	Stopper only for 47002004
47002010	Stopper only for 47002008
47002012	Stopper only for 47002011

TIP TOE STOPPER ASSEMBLIES

PART #	THRD/INCH	"A" DIA.	DESCRIPTION
47002009	11-1/2 (1-1/2 NPS)	1-7/8"	Sterling Toe Control
16000380			Cartridge only for 47002009 Stopper
40800848	16	1-3/8"	Rapid Fit
47002010			Cartridge only for 47001008 Stopper
47002016	11-1/2 (1-1/2 NPS)	1-7/8"	Rapid Fit
47002012			Cartridge only for 47002016 Stopper
40520220			Touch Toe Bath Drain Overflow plate and stopper assembly



HOUSTON
800/392-5066

ORLANDO
800/327-3022

GREENVILLE
800/476-2212

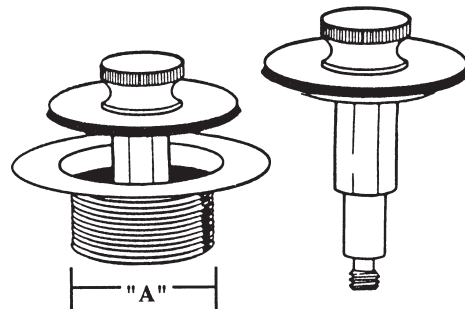
LOOK FOR US ON THE WEB AT: www.TMSSouth.com

TUB & SHOWER REPAIRS/ACCESSORIES

PUSH-PULL STOPPER ASSEMBLIES

PART #	THRD/INCH	"A" DIA.	WHERE USED
40800530	14	1-5/8"	Briggs and Sayco
40800502	16 (Fine)	1-5/8"	American Standard*, American Brass, Crane Riviera, Central Brass, Eljer*, Indiana Brass*, Price Pfister*, Savoy, Speakman, Sterling*
40800429	11-1/2 (1-1/2 NPS)	1-7/8"	American Standard*, Central Brass*, Gerber, Kohler*, Price Pfister*, Rapid Fit, Sterling*
40800430	16 (Fine)	1-5/8"	
40800429	11-1/2 (Coarse)	1.865	

*-Fits some models



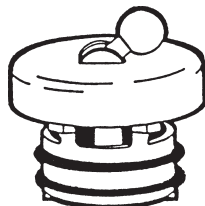
40800846



47971008

"FLIP-IT" REPLACEMENT TUB STOPPER INSERT

The stopper can be installed in seconds and fits almost all tub drains. Constructed of durable chrome plated plastic. 1-1/2" cylinder. Comes with 4 sets of O-Rings and instructional label for the tub or tile. PART # 40800847



TUB DRAIN BUSHINGS & INSERTS

Converts from 1.6"-16 to:

1.865"-11.5 (1-1/2")	PART # 47002101
1.8" - 14	PART # 47002102
1.8" - 16	PART # 47002103
1.9" - 14	PART # 47002104
2.11" - 16	PART # 47002105

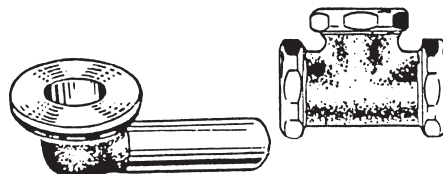
Converts from 1.375" - 16 to:

1.625" - 16	PART # 47002111
1.625" - 14	PART # 47002112



WASTE & OVERFLOW PARTS

PART #	DESCRIPTION
47162002	1-3/8" Waste & Overflow shoe unfinished
47162004	1-1/2" Waste & Overflow shoe unfinished
44671016	1-1/2" Waste & Overflow 3-Way slip tee unfinished
44735006	Washer for shoe plug

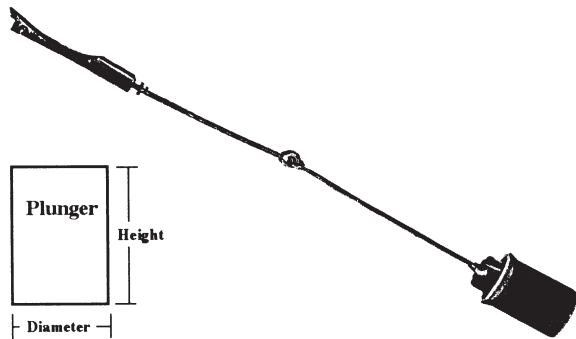


UNIVERSAL REPLACEMENT BATH LINKAGE

Replaces many OEM linkages. Adjustable linkage, height of plunger is 1-3/4" and the diameter is 1-1/4".

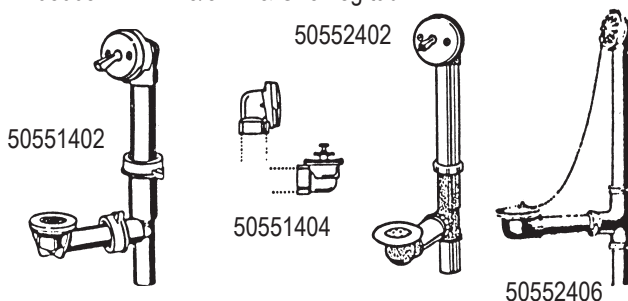
PART # 47002036 (Includes o-rings)

PART # 47002040



BATH WASTE & OVERFLOWS

PART #	DESCRIPTION
40800507	1-1/2" PVC trip lever waste
50551404	1-1/2" Sch. 40 PVC half waste
50552402	1-1/2" 20 GA. trip lever waste
40800467	1-1/2" 17 GA. trip lever waste
40800511	1-3/8" W & O for leg tub



**TOTAL
MAINTENANCE
SOLUTIONS**

HOUSTON
800/392-5066

ORLANDO
800/327-3022

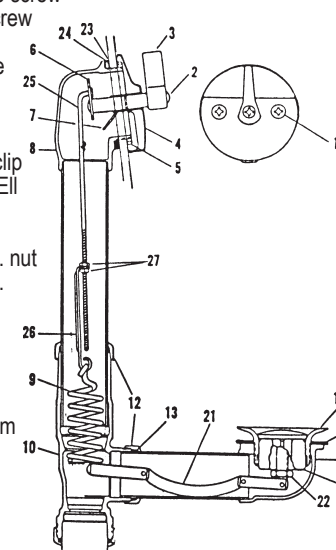
GREENVILLE
800/476-2212

LOOK FOR US ON THE WEB AT: www.TMSSouth.com

TUB & SHOWER REPAIRS/ACCESSORIES

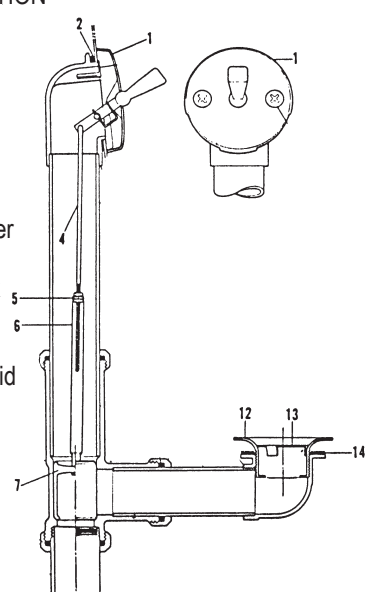
AMERICAN STANDARD MULTI-FIT (HERITAGE)

ITEM	PART #	DESCRIPTION
1	40520026	Face plate screw
2	50100000	Handle screw
3	01893650	Handle
4	01893130	Face plate
5	01893640	Retaining nut
6	01893660	Crank
7	01893140	Retainer clip
8		Overflow Ell
9	01893760	Striker
10		Tee
12	40800033	1-1/2" S.J. nut
13	40950008	1-1/2" S.J. washer
17		Drain Ell
18	44735006	Gasket
19	01893675	Plug
20	01893670	Plunger
21	01890630	Rocker Arm
22	01891010	Locknut
23	01892620	Overflow gasket
24	01890120	Overflow gasket
25	01893762	Upper link
26	01893620	Middle link
27	01893360	Nut



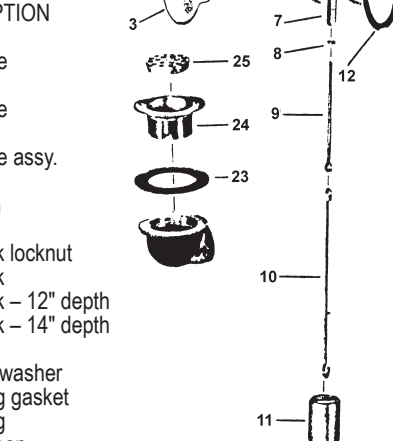
AMERICAN STANDARD MULTI-FLEX

ITEM	PART #	DESCRIPTION
1	40520023	Face plate assembly
	79992022	Clip for face plate
2	01892620	Overflow gasket
4	01893400	Upper link
5	01893360	Lockwasher nut
6	01893391	Middle link
7	01892630	Seal plug
12	01893494	Drain plug
13	01893389	Strainer grid
14	01893430	Drain plug washer



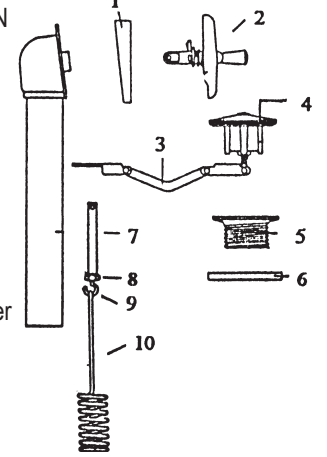
AMERICAN STANDARD MULTI-FIT (COLONY)

ITEM	PART #	DESCRIPTION
1		Lever
2	40520026	Face plate screw
3		Face plate
4		Washer
1-4	40520060	Face plate assy.
5	01890770	Spring
6	01893690	Cotter pin
7	01893688	Clevis
8	01893700	Upper link locknut
9	01893680	Upper link
10	01893610	Lower link - 12" depth
	01893630	Lower link - 14" depth
11	01892630	Plunger
12	44735004	Overflow washer
23	44735006	Drain plug gasket
24	01892253	Drain plug
25	01893705	Snap screen



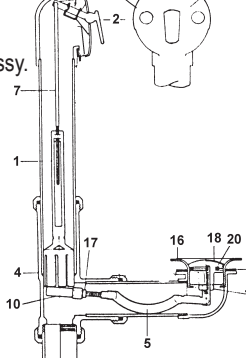
CENTRAL BRASS

ITEM	PART #	DESCRIPTION
1	40211310	Face plate washer
2	40520060	Face plate with screws
3	02150210	Rocker arm
4	02151140	Strainer plug
3-4	02151130	Plug & linkage assy.
5	02151150	Strainer body
6	02150930	Strainer washer
7	02150155	Clevis
8	02150984	Nut
9	02150214	Link
10	02150211	Spring
7-10	02150212	Striker assy.



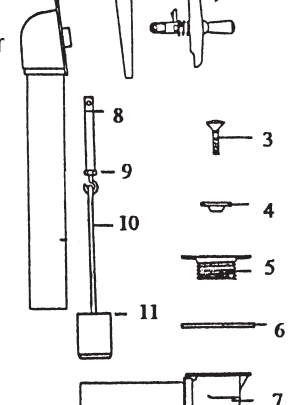
AMERICAN STANDARD MULTI-FLEX

ITEM	PART #	DESCRIPTION
1	01893435	Striker
2	79992008	Lever & escutcheon assy.
5	01893350	Rocker S/A
6	01892620	Overflow gasket
7	01893400	Upper link
10	01893380	Rocker tip
11	79992022	Clip
12	01893410	Jam nut
15	01893430	Drain Ell washer
16	01893392	Drain plug
17	01893420	Locknut
18	01893370	Stopper S/A
20	40520026	Face plate screw
21	01893390	Stopper gasket



CENTRAL BRASS

ITEM	PART #	DESCRIPTION
1	40211310	Face plate washer
2	40520060	Face plate with screws
3	02150480	Strainer screw
4	02150470	Strainer
5	02150460	Strainer body
6	02150482	Strainer washer
3-6	02150450	Strainer assy.
7	02151110	Shoe assy.
8	02150155	Clevis
9	02150984	Nut
10		Link
11	02151112	Plunger
8-11	02150154	Plunger assy.




**TOTAL
MAINTENANCE
SOLUTIONS**

HOUSTON
800/392-5066

ORLANDO
800/327-3022

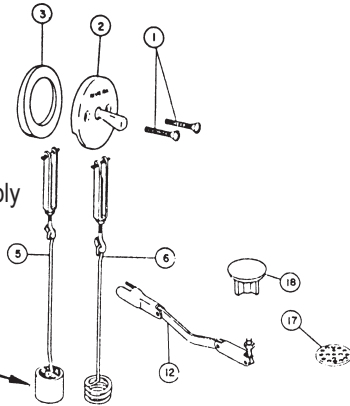
GREENVILLE
800/476-2212

LOOK FOR US ON THE WEB AT: www.TMSSouth.com

TUB & SHOWER REPAIRS/ACCESSORIES

CRANE RIVIERA

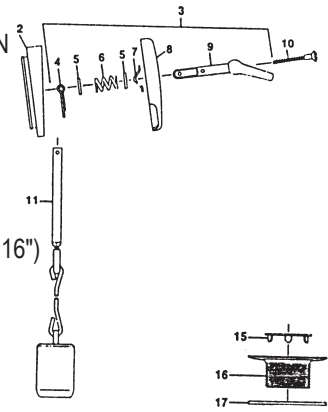
ITEM	PART #	DESCRIPTION
1	40520026	Face plate screw
2	40520023	Face plate
3	40211310	Overflow gasket
5	04892520	Lift assembly
6	04892522	Lift assembly
12	40120242	Link assembly
17	04891040	Strainer
18	40120231	Stopper



* Note new style plunger uses 40950032 O-ring

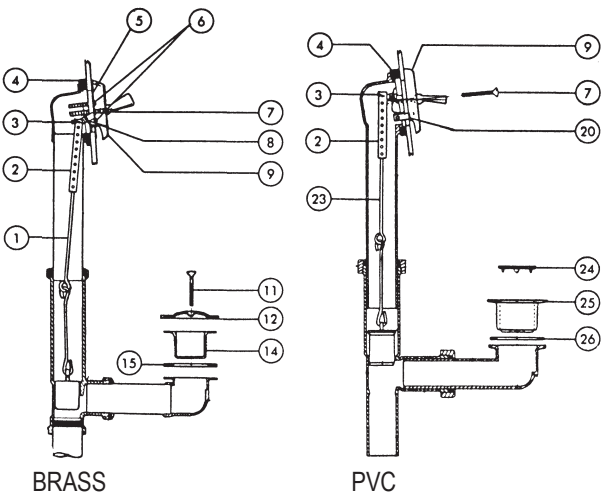
ELJER LUSTRA & REGATA

ITEM	PART #	DESCRIPTION
2	40211310	Overflow gasket
3	40520023	Face plate
10	40520026	Face plate screw
11	06890322	Plunger & linkage (14" & 16")
	06890388	Plunger & linkage (12")
15	40130135	Strainer top
16	06890494	Strainer body
17	44735006	Gasket



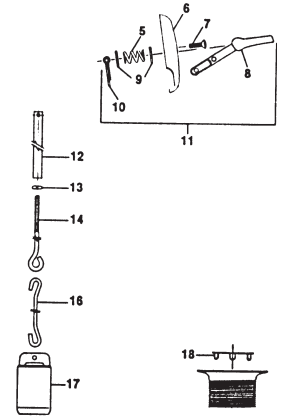
DELTA-BRASS & PVC WASTE

ITEM	PART #	DESCRIPTION
1	05221923	Plunger assembly
2	05221922	Clevis
3	05221894	Cotter pin
4	40211310	Waste gasket
5	05221925	Retainer wire
6	05221927	Retainer screws
7	40520026	Face plate screws
8	79992022	Clip
9	40520023	Face plate assembly
11	05221928	Strainer screw
12	05221929	Strainer w/ screw
14	05221931	Waste plug
15	44735006	Gasket
23	05221932	Plunger assembly
24	05221933	Snap-in strainer
25	05221934	Waste plug



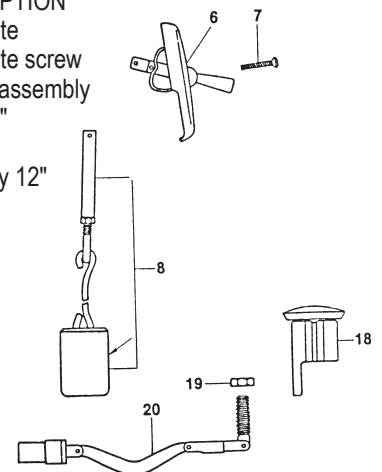
ELJER ULTIMA & LIFETIME

ITEM	PART #	DESCRIPTION
11	40520060	Face plate with screws
12	06890321	Clevis
13	06890235	Hex nut
14	06890323	Eye bolt
16	06890254	Plunger link
17	06890236	Plunger
18	06895332	Strainer top



ELJER ULTIMA

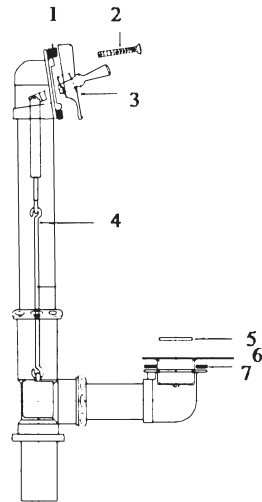
ITEM	PART #	DESCRIPTION
6	40520023	Face plate
7	40520026	Face plate screw
8	06890322	Plunger assembly 14" & 16"
	06890388	Plunger assembly 12"
18	06890234	Stopper
19	06890050	Hex nut
20	06890245	Link unit



TUB & SHOWER REPAIRS/ACCESSORIES

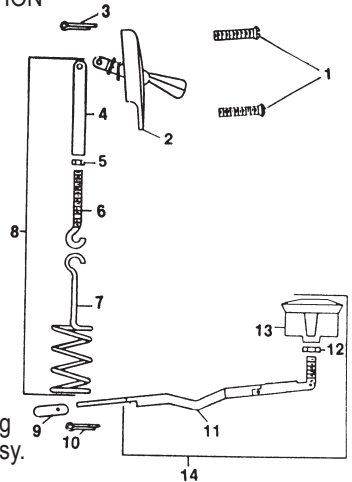
FROST 6722-0 & 6723-0

ITEM	PART #	DESCRIPTION
1	40211310	Overflow gasket
2	40520026	Face plate screw
3	79992004	Face plate
4	47002028	Lift assembly with stopper
5	47002034	Snap-in strainer
6	47002020	Strainer
7	44735006	Gasket



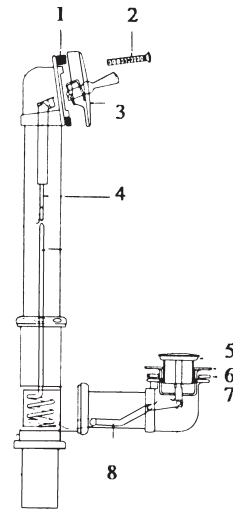
INDIANA BRASS-MODEL 796

ITEM	PART #	DESCRIPTION
1	40520026	Face plate screw
2	40520023	Face plate assembly
3		Cotter pin
4		Yoke
5		Hex nut
6		Upper wire
7		Lower wire
8	08380268	Lift wire assembly
9		Extention
10		Cotter pin
11		Linkage
12		Hex nut
13		Pop-up plug
14	08380270	Linkage assy.



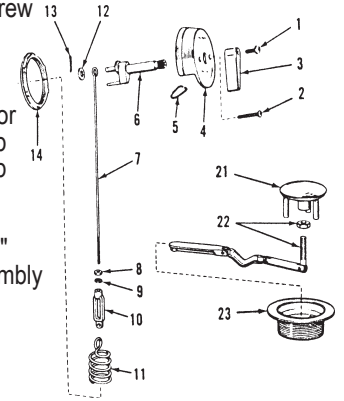
FROST 6733-0 & 6734-0

ITEM	PART #	DESCRIPTION
1	40211310	Overflow gasket
2	40520026	Face plate screw
3	40520023	Face plate
4	47002030	Lift assembly
5	47002024	Stopper
6	47002002	Strainer
7	44735006	Gasket
8	47002026	Link assembly less stopper



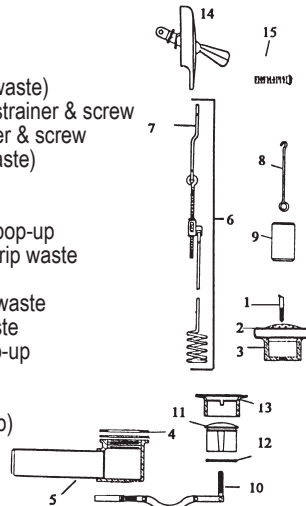
KOHLER-CLEAR PASS POP-UP

ITEM	PART #	DESCRIPTION
1	50100033	Handle screw
2	09890340	Face plate screw
3	09891985	Handle
4	09891066	Face plate
5	09891260	Clip
6	09891268	Striker actuator
7-13	09891562	Striker-14" tub
	09891561	Striker-16" tub
14	09891245	Lock ring
21	09891272	Stopper-CP
22	09891253	Rocker arm-7"
21-22	09891252	Stopper assembly with 7" arm
23	09891199	Strainer body



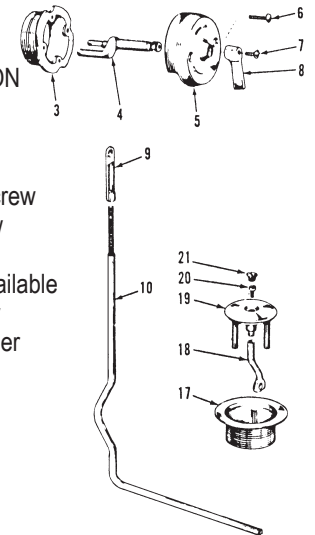
GERBER TRIP LEVER & POP-UP WASTE

ITEM	PART #	DESCRIPTION
	40211310	Waste gasket
1	07290540	Strainer screw
2	07290550	CP Strainer (trip waste)
	47001044	CP Import dome strainer & screw
	47002210	PVD dome strainer & screw
3	07290800	Shoe plug (trip waste)
4	07290530	Washer
5	07290950	Shoe & tube (9")
6	07291302	Lift assembly for pop-up
	07290990	Lift assembly for trip waste
7	07290500	Upper wire
8	07290510	Lower wire - trip waste
9	07290820	Plunger - trip waste
10	07290980	Linkage assy. pop-up
11	07291010	Stopper w/ o-ring
12	40950073	Stopper o-ring
13	07290802	Shoe plug (pop-up)
14	40520023	Face plate assy.
15	40520026	Face plate screw



KOHLER-CLEAR PASS POP-UP (OLD STYLE)

ITEM	PART #	DESCRIPTION
3	09891190	Lock ring
4	09891194	Crank
5	09891066	Face plate
6	09890340	Face plate screw
7	50100033	Handle screw
8	09891985	Handle
9-10		No longer available
17	09891199	Strainer body
18-21	09891576	Pop-up stopper



**TOTAL
MAINTENANCE
SOLUTIONS**

HOUSTON
800/392-5066

ORLANDO
800/327-3022

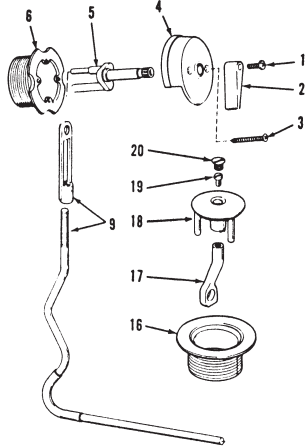
GREENVILLE
800/476-2212

LOOK FOR US ON THE WEB AT: www.TMSSouth.com

TUB & SHOWER REPAIRS/ACCESSORIES

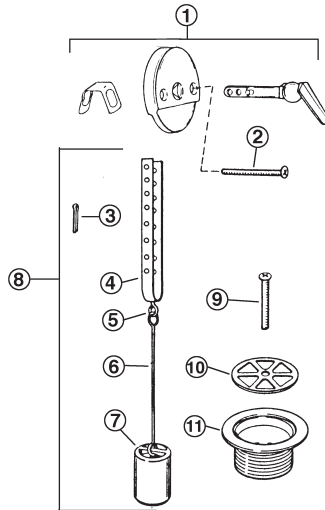
KOHLER-CLEAR PASS POP-UP 2" DRAIN

ITEM	PART #	DESCRIPTION
1	50100033	Handle screw
2	09891985	Handle
3	09890340	Face plate screw
4	09891066	Face plate
5	09891194	Crank
6	09891190	Lock ring
9	09891563	Lift assembly
16	09891199	Strainer body
17	09891180	Stopper post
18	09890650	Stopper w/ o-ring
	40950083	O-ring for stopper
19	09891209	Screw
20	09891210	Screw



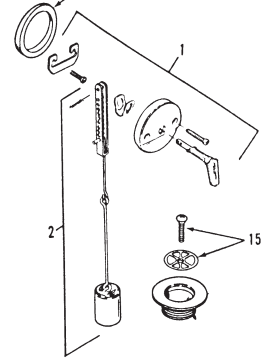
KOHLER TREND & SHOREHAM

ITEM	PART #	DESCRIPTION
1	09892982	Face plate assembly
2	09890920	Face plate screw
3	09892910	Cotter pin
4	09892900	Adjusting link
5	09892911	Lift wire link
6	09892920	Lift wire
7	09892921	Plunger
8	09891572	Plunger assembly
9	09890340	Strainer screw
10	09891300	1-5/8" Strainer
	09891205	2-3/16" Strainer
11	09892940	2-3/16" Strainer body



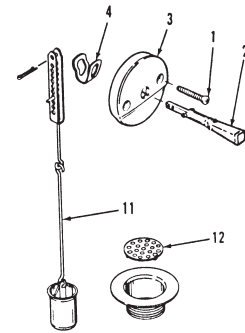
KOHLER TREND II

ITEM	PART #	DESCRIPTION
1	09892982	Face plate assembly
2	09891572	Plunger assembly
3	40211310	Gasket
15	09891573	Strainer & screw



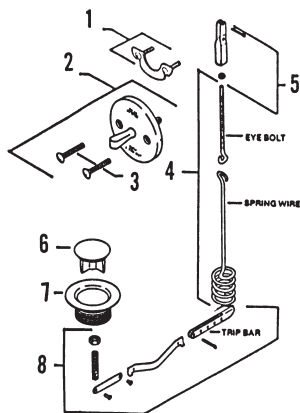
KOHLER PVC/ABS POP-UP

ITEM	PART #	DESCRIPTION
1	40520026	Face plate screw
1-4	40520060	Face plate w/ screws
4	79992022	Clip
11	NLA	Stopper & linkage
12	NLA	Snap-in strainer



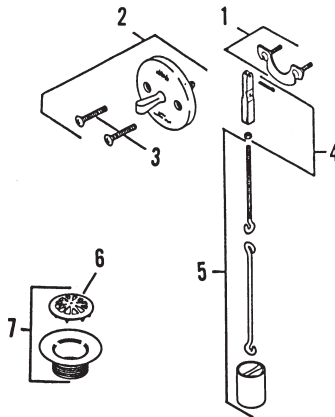
PRICE PFISTER 21 SERIES POP-UP

ITEM	PART #	DESCRIPTION
1	12890756	Retainer plate
2	40520060	Face plate w/ screws
3	40520026	Face plate screw
4	12890841	Spring wire-14" tub
5	12890760	Clevis
6	12890796	Stopper
7	12890794	Shoe plug
8	12890790	Trip waste assembly



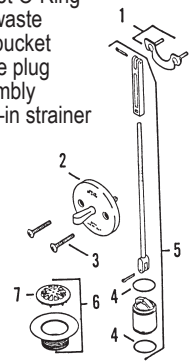
PRICE PFISTER 19 SERIES BRASS TRIP LEVER

ITEM	PART #	DESCRIPTION
1	12890756	Retainer plate
2	40520060	Face plate w/ screws
3	40520026	Face plate screw
4	12890760	Clevis
5	12890820	Trip waste w/bucket
6	12890810	Snap-in strainer
7	12890830	Waste plug assembly



PRICE PFISTER 19 SERIES PVC TRIP LEVER

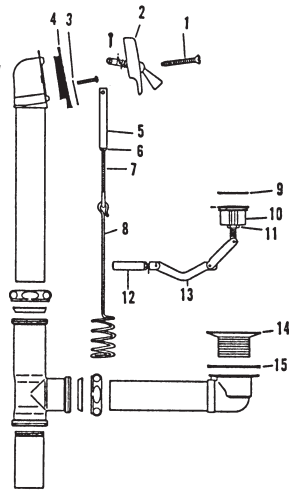
ITEM	PART #	DESCRIPTION
1	12890756	Retainer plate
2	40520023	Face plate
3	40520026	Face plate screw
4	40950066	Bucket O-Ring
5	12890845	Trip waste with bucket
6	12890830	Waste plug assembly
7	12890810	Snap-in strainer



TUB & SHOWER REPAIRS/ACCESSORIES

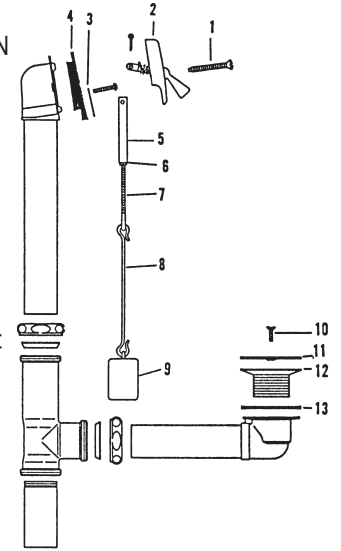
SAYCO POP-UP WASTE

ITEM	PART #	DESCRIPTION
1	40520026	Face plate screw
2	40520060	Face plate
1-2	40520023	Face plate with screws
3	14890626	Lockplate
4	14890630	Head washer
5	14890637	Yoke
6	14890627	Nut
7	14890632	Upper eye bolt
8	14890651	Lower spring
9	14890655	Plunger o-ring
10	14890522	Plunger with o-ring
11	14890650	Locknut
12	14890652	Rod extension
13	14890518	Rocker arm assembly
	40150092	Rocker arm assembly with plunger
14	14890625	Shoe plug
15	14890635	Shoe washer



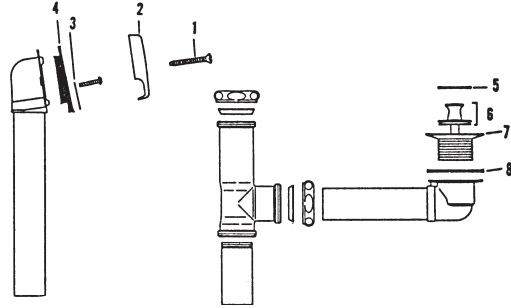
SAYCO TRIP LEVER WASTE

ITEM	PART #	DESCRIPTION
1	40520026	Face plate screw
2	40520023	Face plate
1-2	40520060	Face plate with screws
3	14890626	Lockplate
4	14890630	Head washer
5	14890637	Yoke
6	14890627	Nut
7	14890632	Upper eye bolt
8	14890633	Lower lift wire
9	14890620	Plunger
5-9	14890500	Plunger assembly
10	14890170	Strainer screw
11	14890510	Strainer
12	14890625	Shoe plug
13	14890635	Shoe washer



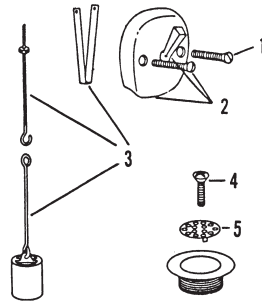
SAYCO LIFT & SPIN WASTE

ITEM	PART #	DESCRIPTION
1	40520026	Face plate screw
2	40520025	Face plate
3	14890626	Lockplate
4	14890630	Head washer
5	14890655	O-ring
6	14890530	Lift-N-Spin stopper complete
7	14890657	Drain plug
8	14890635	Drain plug washer



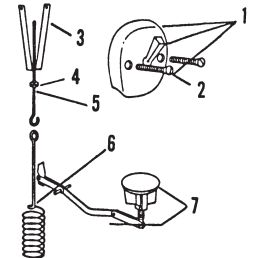
STERLING TRIP LEVER WASTE

ITEM	PART #	DESCRIPTION
1	40520026	Face plate screw
2	40520060	Face plate with screws
3	16890515	Linkage assembly
4	16890718	Strainer screw
5	16890589	Strainer



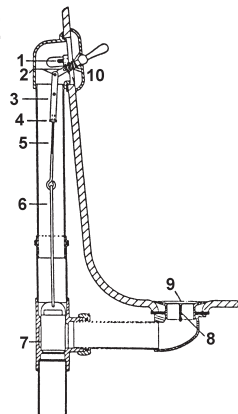
STERLING POP-UP WASTE

ITEM	PART #	DESCRIPTION
1	40520060	Face plate with screws
2	40520026	Face plate screw
3	16890627	Clevis
4	16890622	Nut
5	16890628	Bolt
6	16890664	Push rod
7	16890260	Stopper assembly



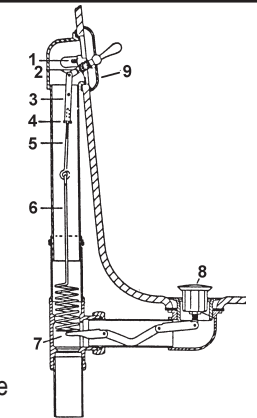
UNION BRASS TRIP LEVER WASTE

ITEM	PART #	DESCRIPTION
1	40520026	Face plate screw
2	19930464	Cotter pin
3	19930398	Adjusting link
4	19930438	Nut
5	19930138	Eye bolt w/nut
6	19930399	Double "I" link
7	19930549	Plunger
8	19930488	Strainer screw
9	02150470	Strainer
10	40520060	Face plate with screws



UNION BRASS POP-UP WASTE

ITEM	PART #	DESCRIPTION
1	40520026	Face plate screw
2	19930464	Cotter pin
3	19930398	Adjusting link
4	19930438	Nut
5	19930138	Eye bolt w/nut
6	19930508	Spring link
7	19930400	Fulcrum linkage
8	19930548	Stopper
9	40520060	Face plate with screws
	19938029	Octagonal face plate



**TOTAL
MAINTENANCE
SOLUTIONS**

HOUSTON
800/392-5066

ORLANDO
800/327-3022

GREENVILLE
800/476-2212

LOOK FOR US ON THE WEB AT: www.TMSSouth.com

TUB & SHOWER REPAIRS/ACCESSORIES

PART # DESCRIPTION
 40520020 Chrome plated solid brass with 2" face.
 40520027 Chrome plated solid brass with 2-1/2" face.
 79991032 PVD
 79991034 Chrome/gold
 79991036 White/gold
 40520050 Chrome



40520027

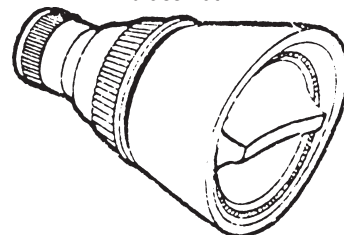
PART # DESCRIPTION
 40520055 Arm mounted pulsating head. Chrome plated PVC with brass nut.
 40520061 Showerhead, pulse



PART # DESCRIPTION
 40520022 Symmons Fre-Flo Institutional head with mounting bracket.



PART # DESCRIPTION
 40520015 Speakman "Cosmopolitan". Chrome plated plastic, adjustable spray with brass nut.



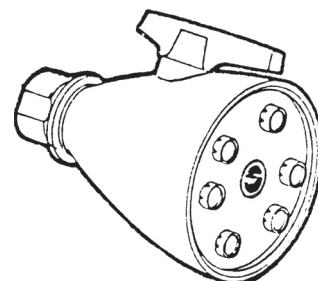
PART # DESCRIPTION
 40520074 Chrome plated ABS with adjustable spray.



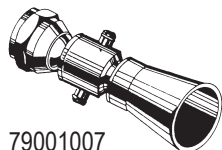
PART # DESCRIPTION
 40520028 Hand held pulsating shower. Comes with 5 ft. hose and mounting bracket.



PART # DESCRIPTION
 40520030 Speakman "Any stream" 2-3/4" face, 6 jet.
 40520049 Speakman "Any stream" 2-1/2" face, 4 jet.
 40520070 Massage head



PART # DESCRIPTION
 79001007 Chrome plated brass with cut-off. Max. flow of 2.75 GPM
 40520067 Same as above less push button.



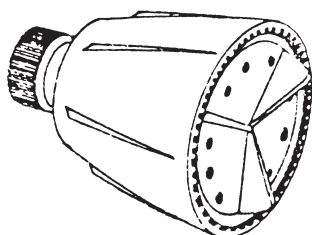
79001007

40520067

PART # DESCRIPTION
 40520013 Savoy chrome plated solid brass. Has vandal proof feature.



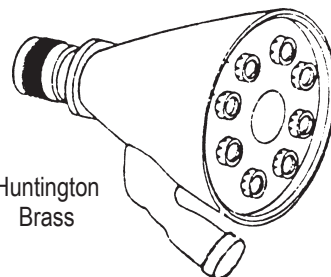
PART # DESCRIPTION
 40520037 Chrome plated ABS with adjustable spray. Brass balljoint.



PART # DESCRIPTION
 40520045 Symmons chrome plated plastic head. Adjustable spray with brass nut. 1/2" male IPS connection.



PART # DESCRIPTION
 40520058 6 jet - chrome
 79401387 6 jet - PVD/polished brass
 79401391 8 jet - chrome
 40520059 6 jet - satin nickel



Huntington Brass

TUB & SHOWER REPAIRS/ACCESSORIES

PART # DESCRIPTION
40520107 Ultimate self cleaning showerhead



PART # DESCRIPTION
40520108 Ultimate self cleaning massage showerhead



EARTH™ MASSAGE SHOWERHEAD

From Niagara Conservation

- Conserves water and saves money while enhancing pressure, performance, appearance and luxury
- 9-Jet turbo massage is adjustable: gentle spray to forceful jet
- Consistent flow rate regardless of water pressure
- Saves 40% more energy and water



PART #	DESCRIPTION
40520116	1.5 GPM
40520221	2.0 GPM

SLOAN ACT-O-MATIC VANDAL PROOF SHOWERHEAD

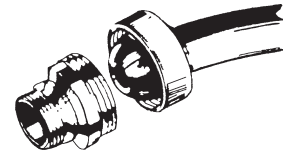
PART # 40520071

Repair kit for Act-O-Matic
PART # 91785110



BALL JOINT SHOWER ARM ADAPTERS

PART #	DESCRIPTION
79631070	For American Standard
79631072	For Price Pfister
79631074	For Gerber

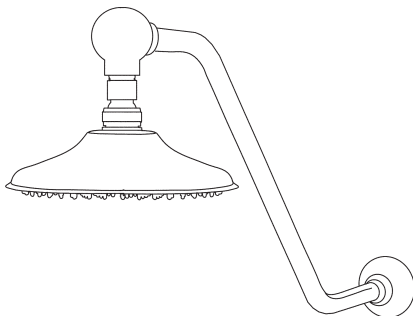


8" RAIN PAN SHOWER HEAD

PART #	DESCRIPTION
40520062	Chrome plated
79991185	PVD
79991190	Satin finish

10" X 18" SHOWER ARM

PART #	DESCRIPTION
79991100	Chrome plated
79991105	PVD
79991110	Satin finish



CONTOUR SHOWER ROD

Chrome
PART # 80160190

Satin Nickel
PART # 80160193

White (special order only)
PART # 80160191



ANTIMICROBIAL WHITE PLASTIC HAND HELD SHOWER HANDLE

from CHG

Without shut-off
PART # 40310044

With shut-off
PART # 40310045



CHG ANTIMICROBIAL SHOWER HOSE

PART #	DESCRIPTION
40310046	60"
40310047	72"
40310048	96"



WHAT IS SANIGUARD?

See page 9-13



HOUSTON
800/392-5066

ORLANDO
800/327-3022

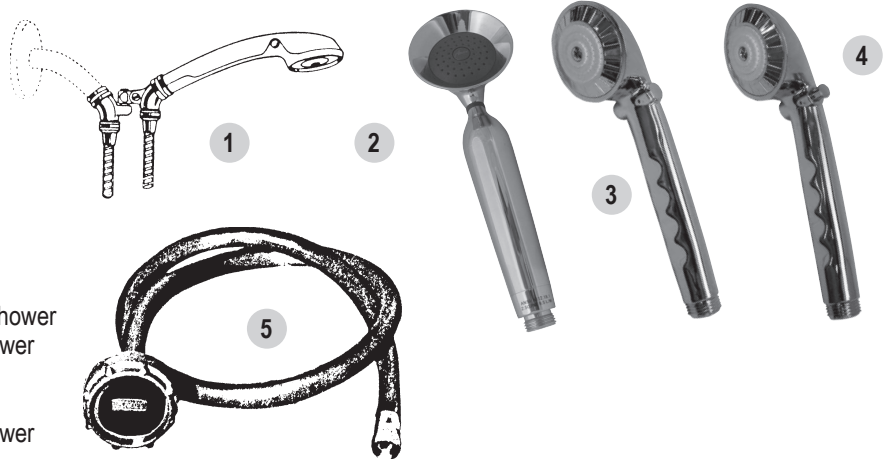
GREENVILLE
800/476-2212

LOOK FOR US ON THE WEB AT: www.TMSSouth.com

TUB & SHOWER REPAIRS/ACCESSORIES

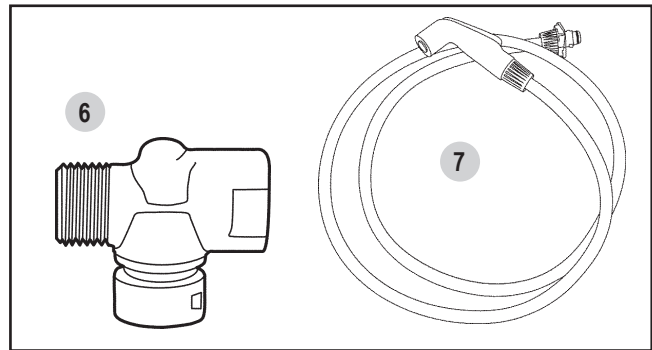
HAND HELD SHOWERS AND ACCESSORIES

ITEM	PART #	DESCRIPTION
1	40520021	Push-button hand held shower, 59" Voral hose & shower arm mount.
2	40520080	Classic style hand shower
3	40110028	Full spray hand shower
4	40110029	Push button hand shower
5	79001088	Shampoo spray with hose
	79021050	Massage head (not shown)
6	40520002	Rinse all valve
7	40520036	Hose assembly
8	40520095	Chrome self cleaning hand shower
	40520097	White self cleaning hand shower
9	40520096	Chrome self cleaning hand shower with shut off
	40520098	White self cleaning hand shower with shut off



HANDHELD SHOWERS FROM ALSONS

ITEM	PART #	DESCRIPTION
10	40520056	Chrome plated handheld shower
	79021036	White handheld shower
11	79021030	Chrome plated shower arm mount
	79021032	White shower arm mount
12	79021250	White grab bar shower system
not shown	79022047	White shower hose



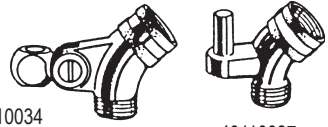
HANDHELD SHOWER AND HOSE ASSEMBLIES

ITEM	PART #	DESCRIPTION
13	40520100	Chrome hand shower & hose assembly
	40520117	White hand shower & hose assembly
14	40520099	White hand shower & hose assembly with shut off
	40520101	Chrome hand shower & hose assembly with shut off



TUB & SHOWER REPAIRS/ACCESSORIES

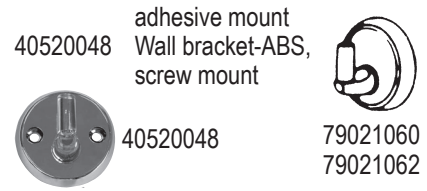
PART #	DESCRIPTION
40110034	Swivel connector, white with CP trim
40520047	Swivel connector, all chrome
40110037	Shower arm mount
79021180	Clear plastic ring for all swivel connectors
40110033	Swivel connector, HD



40110034
40520047

40110037

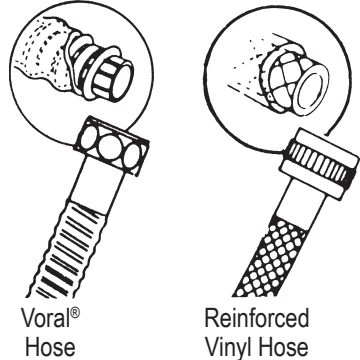
PART #	DESCRIPTION
79021060	Wall bracket-white, adhesive mount
79021062	Wall bracket-chrome, adhesive mount
40520048	Wall bracket-ABS, screw mount



40520048

79021060
79021062

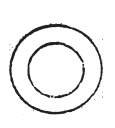
PART #	DESCRIPTION
40110105	59-inch Voral hose
79021047	69-inch Voral hose
79021048	84-inch Voral hose
40520024	60-inch reinforced vinyl hose
40520072	96-inch reinforced vinyl hose
40520046	59" - 78" stretch hose
40520103	78" - 110" stretch hose



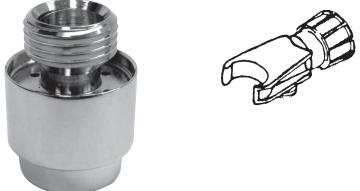
Voral®
Hose

Reinforced
Vinyl Hose

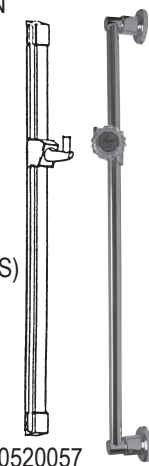
PART #	DESCRIPTION
40110184	Gasket for all 1/2" connections



PART #	DESCRIPTION
40520017	CP Brass vacuum breaker
40520076	Repair kit for vacuum breaker
79871078	Mounting bracket for Water Pik



PART #	DESCRIPTION
79021090	Glide Rail 24-inch
40520057	Wall Bar 24-inch
79021070	Knob for wall bar
79021072	Adjustment sleeve for 18 mm bar (O/S)




79021090

40520057

SHOWER ARMS

PART #	DESCRIPTION
40520081	6" CP Brass arm
79991070	6" CP ABS plastic w/ 3GPM flow control
40520077	8" CP Brass arm
40520038	High Rise shower arm
12890850	Price Pfister 6" arm w/ball joint

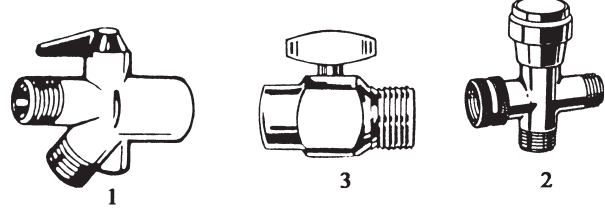


40520081

40520038

SHOWER CUT-OFF & DIVERTER VALVES

ITEM	PART #	DESCRIPTION
1	79991082	Two-way shower diverter Chrome plated ABS plastic
2	40110031	Delux Dual-flow diverter. CP solid brass push-pull action.
3	79211064	CP brass cut-off valve



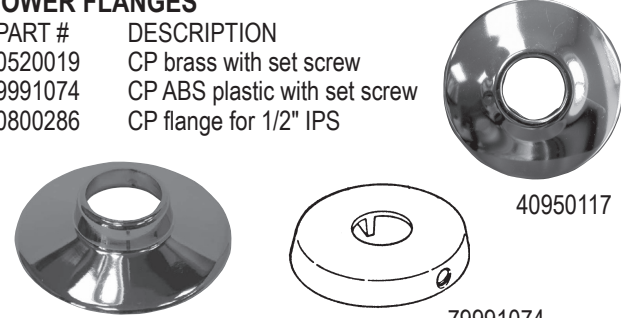
1

3

2

SHOWER FLANGES

PART #	DESCRIPTION
40520019	CP brass with set screw
79991074	CP ABS plastic with set screw
40800286	CP flange for 1/2" IPS




40520019

40950117

79991074

SHOWER RESTRICTORS

PART #	DESCRIPTION
79211085	Rubber flow restrictor 2.75 GPM @ 15 to 125 psi
79211084	Brass restrictor w/rubber washer 2.5 GPM @ 60 psi
NLA	Metal flow restrictor for ball joint arms



79211085

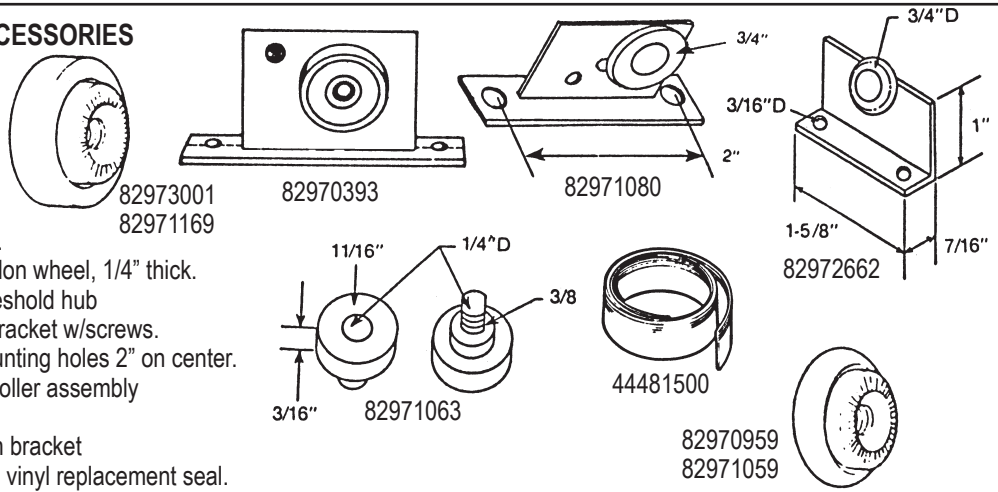
79211084

79211086

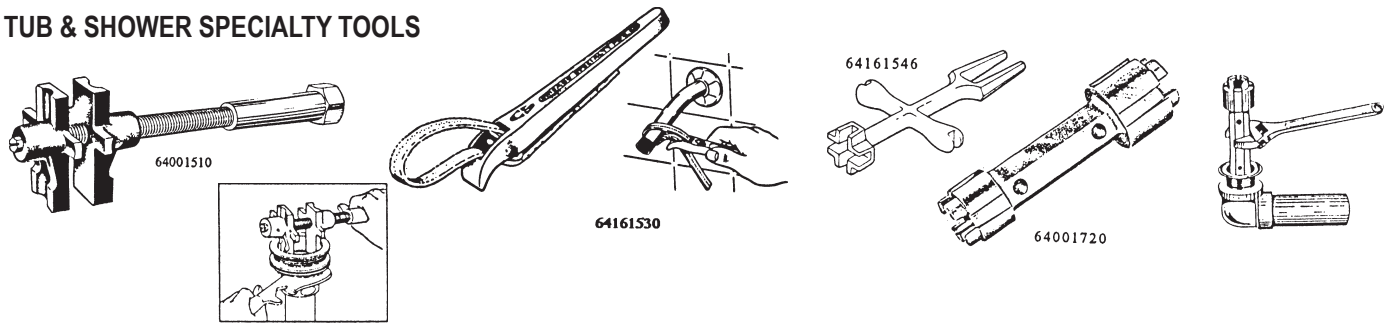
TUB & SHOWER REPAIRS/ACCESSORIES

SHOWER DOOR ROLLERS & ACCESSORIES

PART #	DESCRIPTION
82973001	3/4" Dia. roller, nylon wheel, 1/4" thick.
82971169	7/8" Dia. roller, nylon wheel, 1/4" thick.
82970959	7/8" Dia. oval roller, nylon wheel, 1/4" thick.
82971059	3/4" Dia. oval roller, nylon wheel, 1/4" thick.
82971063	Shower door roller threshold hub
82970393	Shower door roller & bracket w/screws. Wheel dia. is 3/4", mounting holes 2" on center.
82971080	Lumidor shower door roller assembly with bracket.
82972662	Shower door roller with bracket
44481500	Shower door seal. 36" vinyl replacement seal.

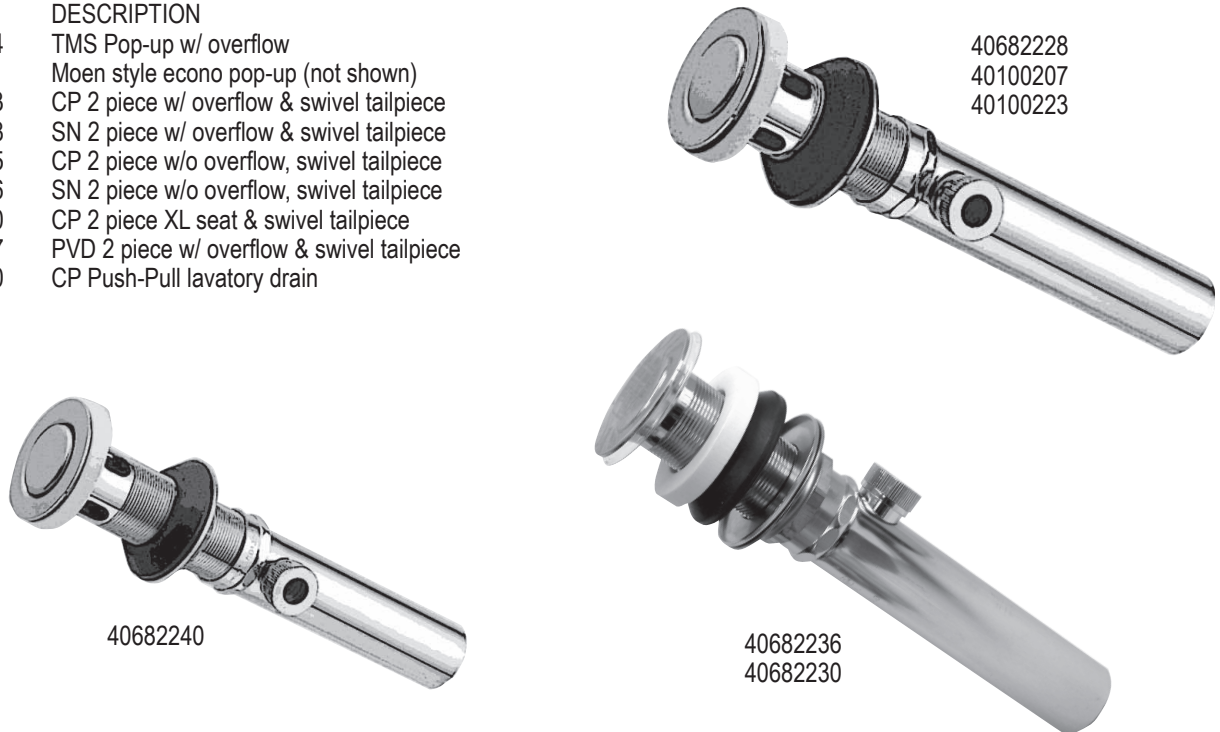


TUB & SHOWER SPECIALTY TOOLS



LAVATORY POP-UP DRAINS

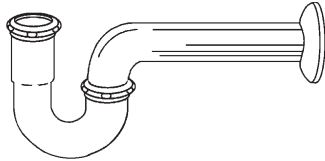
PART #	DESCRIPTION
40100214	TMS Pop-up w/ overflow
40100171	Moen style econo pop-up (not shown)
40100223	CP 2 piece w/ overflow & swivel tailpiece
40682228	SN 2 piece w/ overflow & swivel tailpiece
40100215	CP 2 piece w/o overflow, swivel tailpiece
40682236	SN 2 piece w/o overflow, swivel tailpiece
40682240	CP 2 piece XL seat & swivel tailpiece
40100207	PVD 2 piece w/ overflow & swivel tailpiece
40682290	CP Push-Pull lavatory drain



WASTE & SUPPLY PRODUCTS

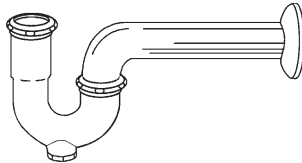
P-TRAPS-NO CLEANOUT

PART #	DESCRIPTION
40800853	1-1/4" 22 GA
40800508	1-1/4" 20 GA
40800005	1-1/4" 17 GA
40800540	1-1/2" 22 GA
40801062	1-1/2" 20 GA
40800006	1-1/2" 17 GA



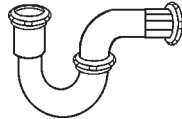
P-TRAPS-WITH CLEANOUT

PART #	DESCRIPTION
40800011	1-1/4" 17 GA
40800012	1-1/2" 17 GA



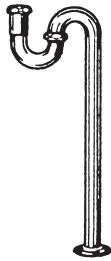
REPAIR TUBE TRAPS

PART #	DESCRIPTION
40800466	1-1/4" 20 GA
40801096	1-1/2" 20 GA



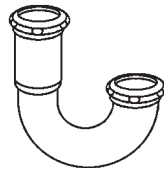
S-TRAPS

PART #	DESCRIPTION
50552030	1-1/4" 22 GA
40800039	1-1/4" 17 GA
50552034	1-1/2" 22 GA
40800040	1-1/2" 17 GA



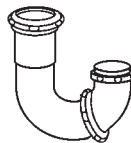
J-BENDS

PART #	DESCRIPTION
50552050	1-1/4" 22 GA
40801097	1-1/4" 20 GA
40800007	1-1/4" 17 GA
50552056	1-1/2" 22 GA
50552058	1-1/2" 20 GA
40800008	1-1/2" 17 GA



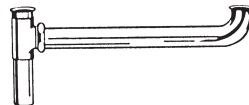
SINK TRAP J-BENDS

PART #	DESCRIPTION
40800479	1-1/4" 20 GA
50552064	1-1/2" 22 GA
40801063	1-1/2" 20 GA



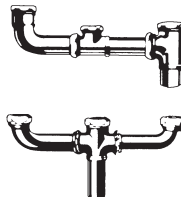
CONTINUOUS WASTE-END OUTLET

PART #	DESCRIPTION
50552102	1-1/2" X 16" 22 GA D.C
50552104	1-1/2" X 16" 22 GA Slip Joint



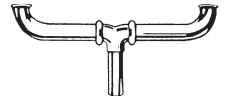
THREE COMPARTMENT WASTE

PART #	DESCRIPTION
50552763	1-1/2" 20 GA 24" Centers End outlet
50552323	1-1/2" 20 GA 25" Centers Center outlet



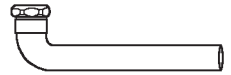
CONTINUOUS WASTE-CENTER OUTLET

PART #	DESCRIPTION
50552112	1-1/2" x 16" 22 GA Direct Conn.
50552114	1-1/2" x 16" 22 GA Slip Joint



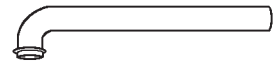
WASTE ARMS

PART #	DESCRIPTION
50552130	1-1/2" x 7" 22 GA Direct Conn.
50552132	1-1/2" x 15" 22 GA Direct Conn.
50552134	1-1/2" x 24" 22 GA Direct Conn.
50552140	1-1/2" x 7" 22 GA Slip Joint
50552144	1-1/2" x 15" 22 GA Slip Joint
50552148	1-1/2" x 24" 22 GA Slip Joint
50552150	1-1/2" x 30" 22 GA Slip Joint



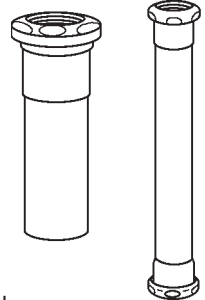
WALL BENDS

PART #	DESCRIPTION
50552070	1-1/4" X 8" 22 GA
50550274	1-1/4" x 8" 17 GA
50552072	1- 1/4" x 12" 22 GA
40800042	1-1/4" x 15" 17 GA
50552076	1-1/2" x 9" 22 GA
40801064	1-1/2" x 9" 17 GA
50552078	1- 1/2" x 12" 22 GA
40800043	1-1/2" x 15" 17 GA



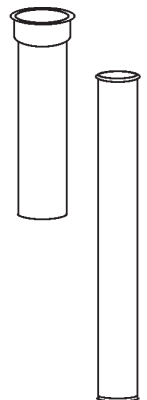
TAILPIECES – EXTENSION TUBES – SLIP JOINT

PART #	DESCRIPTION
50552169	1-1/4" X 6" 22 GA
40800056	1-1/4" x 6" 17 GA
40800626	1-1/4" x 8" 22 GA
40800057	1-1/4" x 8" 17 GA
40800058	1-1/4" x 12" 17 GA
40800627	1-1/2" x 6" 22 GA
50552182	1-1/2" x 8" 22 GA
40800060	1-1/2" x 8" 17 GA
50552184	1-1/2" x 12" 22 GA
40800061	1-1/2" x 12" 17 GA
50552276	1-1/4" x 16" 22 GA Dble. S.J.
50552278	1-1/2" x 16" 22 GA Dble. S.J.



TAILPIECES – FLANGED

PART #	DESCRIPTION
50552246	1-1/2" X 1-1/4" X 6" 17 GA
50552248	1-1/2" x 1-1/4" x 10" 17 GA
50552240	1-1/2" x 1-1/4" x 12" 22 GA
40800854	1-1/4" x 6" 17 GA
50552252	1-1/2" x 4" 22 GA
50552262	1-1/2" x 4" 17 GA
40800045	1-1/2" x 6" 17 GA
50552256	1-1/2" x 8" 22 GA
40800046	1-1/2" x 8" 17 GA
40800047	1-1/2" x 12" 17 GA
50552258	1-1/2" x 12" 22 GA double flange
40801065	1-1/2" x 16" 17 GA double flange



**TOTAL
MAINTENANCE
SOLUTIONS**

HOUSTON
800/392-5066

ORLANDO
800/327-3022

GREENVILLE
800/476-2212


LOOK FOR US ON THE WEB AT: www.TMSSouth.com

WASTE & SUPPLY PRODUCTS

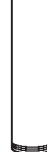
TAILPIECES-THREADED ON 1-1/2" END

PART #	DESCRIPTION	
50552280	1-1/2" X 1- 1/4" x 6" 20 GA	
50552282	1-1/2" x 1-1/4" x 12" 20 GA	


WASTE TUBES- THREADED ON ONE END

PART #	DESCRIPTION	
40801066	1-1/4" X 4" 17 GA	
50552504	1-1/4" X 6" 17 GA	
50552292	1-1/4" X 8" 20 GA	
40800541	1-1/4" X 8" 17 GA	
50552502	1-1/2" X 4" 20 GA	
50552294	1-1/2" X 8" 20 GA	

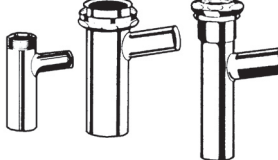
WASTE TUBES-THREADED ON BOTH ENDS

PART #	DESCRIPTION	
40800049	1-1/4" X 12" 17 GA	
50552250	1- 3/8" X 12" 22 GA	
40801067	1-1/2" X 8" 17 GA	
40800051	1-1/2" X 12" 20 GA	

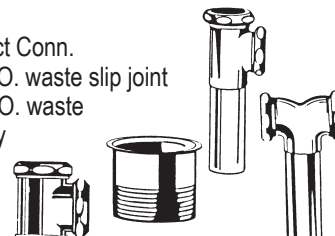
EXTENSION TUBES TO SOLDER

PART #	DESCRIPTION	
50552286	1-1/4" X 8" 22 GA	
40801069	1-1/4" X 8" 17 GA	
50552291	1-1/2" X 6" 22 GA	


DISHWASHER BRANCH TAILPIECES

PART #	DESCRIPTION	
40801099	1-1/2" x 8" D.C. with 3/4" hose connection	
40801100	1-1/2" X 8" S.J. with 3/4" hose connection	
40801101	1-1/2" X 8" thread top with 3/4" hose connection	

WASTE PARTS-CONTINUOUS WASTE

PART #	DESCRIPTION	
40801070	1-1/2" Tee for E.O. waste Direct Conn.	
40801071	1-1/2" Tee for E.O. waste slip joint	
40801072	1-1/2" Tee for C.O. waste	
40800030	1-1/2" Three-way repair tee	
50552210	1-1/2" 17 GA waste nipple	

WASTE CONNECTIONS

PART #	DESCRIPTION	
40800277	1-1/2" S.J. X 1-1/2" MIP X 1-1/2" SWT	
40800280	1-1/2" S.J. X 1-1/2" FIP	


DOUBLE SLIP REPAIR CONNECTIONS

PART #	DESCRIPTION	
40800024	1-1/2" 90 ELL	
40800028	1-1/2" 45 ELL	
40800026	1-1/2" Coupling	


CAST TRAPS-BENT WALL TUBE WITH CLEANOUT

PART #	DESCRIPTION	
40800013	1-1/4" 17 GA	
40800014	1-1/2" 17 GA	

CAST TRAP-GROUND JOINT SWIVEL ELBOW WITH CLEANOUT

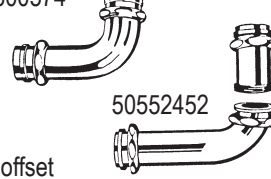
PART #	DESCRIPTION	
40800575	1-1/4" X 1-1/4" X 1-1/4" SPC outlet	
40800022	1-1/2" X 1-1/2" X 1-1/2" SPC outlet	

P.O. PLUGS-WROT W/BEAD CHAIN & STOPPER

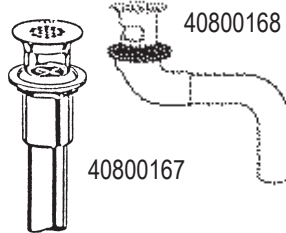
PART #	DESCRIPTION	
50552156	1-1/4" X 5" 22 GA One Piece	
40800248	1-1/4" X 8" 17 GA Two Piece	

50552164 50552156

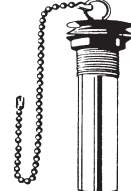
TANK BENDS

PART #	DESCRIPTION	
40800574	2" X 6" X 8" 20 GA Tank Bend	
50552452	2" X 6" X 8" 20 GA Repair Type Bend	
50552456	2" x 1-1/2" x 6" Closet offset	

P.O. PLUG-CAST WITH PERFORATED STRAINER

PART #	DESCRIPTION	
40800167	1-1/4" X 6" 17 GA One Piece	
40800538	Wheelchair Lavatory Drain	

C.O. PLUG - WROT LESS OVERFLOW

PART #	DESCRIPTION	
40801073	1-1/4" X 5" 22 GA One Piece	



TOTAL MAINTENANCE SOLUTIONS

HOUSTON
800/392-5066

ORLANDO
800/327-3022

GREENVILLE
800/476-2212

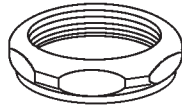
LOOK FOR US ON THE WEB AT: www.TMSSouth.com

WASTE & SUPPLY PRODUCTS

PVC TUBULAR

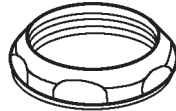
SLIP JOINT NUTS-CHROME PLATED BRASS

PART #	DESCRIPTION
44002500	1/2" X 9/16" CP
40800034	1-1/4" X 1-1/4" CP
40800035	1-1/2" X 1-1/4" CP
40801074	1-1/2" X 1-3/8" CP
40800036	1-1/2" X 1-1/2" CP
40800037	2" X 2" CP



SLIP JOINT NUTS-CHROME PLATED DIE CAST

PART #	DESCRIPTION
44732502	1/2" X 9/16" CP
44732506	3/4" X 9/16" CP
40800031	1-1/4" X 1-1/4" CP
40800032	1-1/2" X 1-1/4" CP
44732512	1-1/2" X 1-3/8" CP
40800033	1-1/2" X 1-1/2" CP
40800071	2" X 1- 1/2" CP
40800072	2" X 2" CP



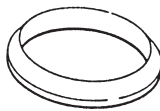
RUBBER SLIP JOINT WASHERS

PART #	DESCRIPTION
40950107	1-1/4" Rubber S.J. washer
40950102	1-1/4" Friction ring
40950008	1-1/2" Rubber S.J. washer
40950103	1-1/2" Friction ring
40950111	1-1/2" x 1-1/4" Rubber S.J. washer
44733016	1-1/2" x 1-3/8" Rubber S.J. washer
40950009	2" Rubber S.J. washer



POLY SLIP JOINT & TAILPIECE WASHERS

PART #	DESCRIPTION
40950003	1-1/4" Poly S.J. washer
40950004	1-1/2" Poly S.J. washer
40950119	1-1/2" x 1-1/4" Poly S.J. washer
40801104	2" Poly S.J. washer
40950002	1-1/2" Poly Tailpiece washer
40950115	1-1/4" vinyl S.J. washer, drip-free
40950110	1-1/2" vinyl S.J. washer, drip-free
40950135	1-1/2" vinyl tailpiece washer, drip-free

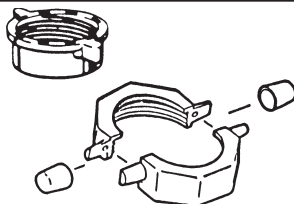


Flanged Tailpiece Washer



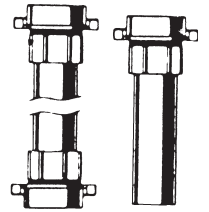
PVC SLIP JOINT NUTS

PART #	DESCRIPTION
40800625	1-1/4"
40800448	1-1/2"
40800651	1-1/4" Split nut
40801105	1-1/2" Split nut



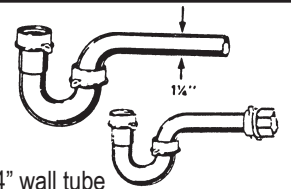
PVC EXTENSION TUBE – SLIP JOINT

PART #	DESCRIPTION
40800539	1-1/4" x 12" S.J.
40800571	1-1/2" X 8"
40800572	1-1/2" X 12"
40800505	1-1/2" X 16" Dble. S.J.
40801106	1-1/4" X 9" Flexible S.J.
50480756	1-1/4" X 6" Flexible Dble. S.J.
40801075	1-1/2" X 12" Flexible S.J.
40801108	1-1/2" X 6" Flexible Dble. S.J.
40800624	1-1/4" x 16" Dble. S.J.



P-TRAPS

PART #	DESCRIPTION
40800262	1-1/2" P-Trap w/ 1-1/4" wall tube comes with 1-1/2" X 1-1/4" washer
40800477	1-1/4" P-Trap with 1-1/4" wall tube
50551004	Same as 50551002 in polished brass
40800422	1-1/2" P-Trap



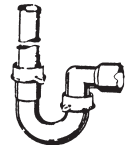
S-TRAPS

With slip joint adapter – comes with 1-1/2" X 1-1/4" washer.
 PART # 40801109 – 1-1/2"
 PART # 50551025 – 1", 1/4"
 PVC



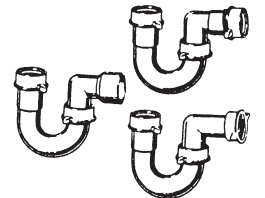
WASHING MACHINE TRAP

1-1/2" for solvent weld connection.
 PART # 50551036



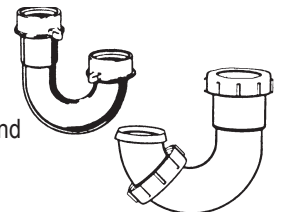
SINK TRAPS & REPAIR TRAPS

PART #	DESCRIPTION
40801110	Slip joint inlet & outlet
40801077	For solvent weld conn.
50551042	For IPS connection



J-BENDS

PART #	DESCRIPTION
50551044	1-1/2' for sink trap
40801111	1-1/2"
40801112	1-1/2, 1-1/4 Flexible J-Bend
40801113	Flexible J-Bend
50480010	Flexible J-Bend



WALL BENDS

PART #	DESCRIPTION
40801079	1-1/4" X 7"
40801080	1-1/2" X 7"



TOTAL MAINTENANCE SOLUTIONS

HOUSTON
800/392-5066

ORLANDO
800/327-3022

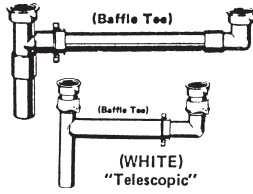
GREENVILLE
800/476-2212

LOOK FOR US ON THE WEB AT: www.TMSSouth.com

WASTE & SUPPLY PRODUCTS

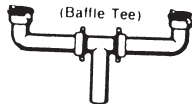
CONTINUOUS WASTE – END OUTLET

PART #	DESCRIPTION
50551102	1-1/2" X 16" Direct Conn.
50551104	1-1/2" X 16" Slip Joint
40800463	1-1/2" X 16" Either Way
50551108	1-1/2" X 21" Either Way
40800504	1-1/2" X 16" Either Way-Telescopic



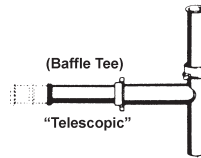
CONTINUOUS WASTE – CENTER OUTLET

PART #	DESCRIPTION
50551112	1-1/2" X 16" Direct Conn.
50551114	1-1/2" X 16" Slip Joint
40800570	1-1/2" X 16" Either Way



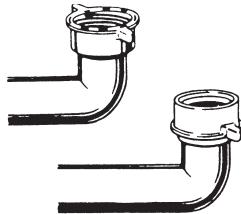
DISPOSER WASTE WITH BAFFLE TEE

PART #	DESCRIPTION
50551120	E.O. Slip Joint with telescopic arm & disp. gasket
50551155	Same as above but with dishwasher tailpiece



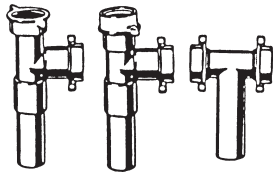
WASTE ARMS-CONTINUOUS WASTE

PART #	DESCRIPTION
50551130	1-1/2" X 7" Direct Conn.
50551132	1-1/2" X 15" Direct Conn.
50551134	1-1/2" X 20" Direct Conn.
50551140	1-1/2" X 7" Slip Joint
50551142	1-1/2" X 9" Slip Joint
40801081	1-1/2" X 15" Slip Joint
50551146	1-1/2" X 20" Slip Joint



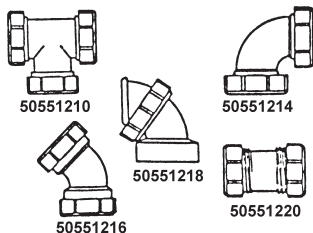
BAFFLE TEES

PART #	DESCRIPTION
40801082	End Outlet Direct Conn.
40800838	End Outlet Slip Joint
40801083	Center Outlet Slip Joint



ELLS, COUPLINGS & TEES

PART #	DESCRIPTION
40800850	Slip Joint Tee no baffle
40801085	Slip Joint 90 Ell
50551218	Slip Joint 90 Sink Trap Ell
40800851	Slip Joint 45 Ell
40801086	Slip Joint Coupling



ESCUTCHEONS

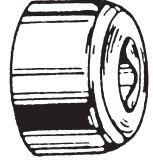
DEEP ESCUTCHEONS – FOR TUBULAR

PART #	DESCRIPTION
40801087	1-1/4" Tubular
40950138	1-1/2" Tubular



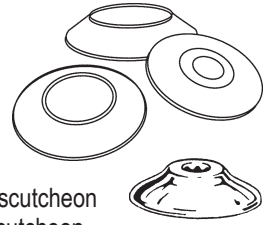
BOX ESCUTCHEONS – FOR TUBULAR

PART #	DESCRIPTION
40800290	1-1/4" Tubular
40800291	1-1/2" Tubular
40800292	2" Tubular



FLAT ESCUTCHEONS

PART #	DESCRIPTION
40801088	1-1/4" Tubular CP flat
40801089	1-1/2" Tubular CP flat
40801090	1-1/4" IPS CP flat
40801091	1-1/2" IPS CP flat
44005010	1/2" nom. P/B PVD flat escutcheon
44005015	1/2" IPS P/B PVD flat escutcheon
44005021	1-1/4" IPS PB/PVD flat
44005020	1-1/2" IPS PB/PVD flat
40800285	3/8" IP Flat chrome escutcheon
40800286	1/2" IP Flat chrome escutcheon
51940105	1/2" IP Flat polished brass escutcheon
40800309	1/2" Nom. (5/8" OD) Flat chrome escutcheon

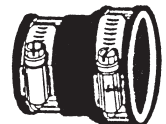
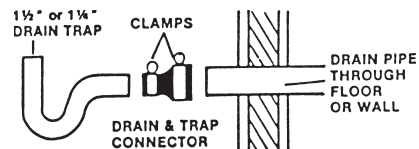


40801092	3/8" IP Deep chrome escutcheon
40801093	1/2" IP Deep chrome escutcheon
40801094	1/2" Nom. (5/8" OD) Deep chrome escutcheon



TRAP DRAIN ADAPTERS CI/PVC, COPPER X TUBULAR

PART #	DESCRIPTION
40800569	1-1/4" X 1-1/4" or 1-1/2" X 1-1/2" Tubular X Tubular
40800552	1-1/2" x 1-1/2" or 1-1/2" x 1-1/4" Tubular X Tubular
40800503	1-1/2" X 1-1/2" or 1-1/2" X 1-1/4" CI/PVC X Tubular
50260108	2" X 1-1/2" or 2" X 1-1/4" CI/PVC X Tubular
40800089	1-1/2" X 1-1/2" or 1-1/2" x 1-1/4" CI/PVC X Tubular



HOUSTON
800/392-5066

ORLANDO
800/327-3022

GREENVILLE
800/476-2212

LOOK FOR US ON THE WEB AT: www.TMSSouth.com

WASTE & SUPPLY PRODUCTS

TRAP ADAPTERS

PART #	DESCRIPTION
40851062	1-1/2" S.J. X 1-1/2" PVC Hub
40851123	1-1/4" or 1-1/2" S.J. X 1-1/2" PVC Hub
40851058	1-1/2" S.J. x PVC Spigot



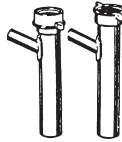
FLANGED SINK TAILPIECES

PART #	DESCRIPTION
50551250	1-1/2" X 1-7/8"
50551252	1-1/2" X 4"
50551254	1-1/2" X 6"
40800840	1-1/2" X 8"
40800841	1-1/2" X 12"
40800506	1-1/2" X 16" Dble. Flanged
50480760	1-1/2" X 12" Flexible Flanges Tlpc.



DISHWASHER BRANCH TAILPIECES

PART #	DESCRIPTION
50551230	1-1/2" X 8" D.C. w/ 3/4" hose conn.
50551232	1-1/2" X 8" S.J. w/ 3/4" hose conn.



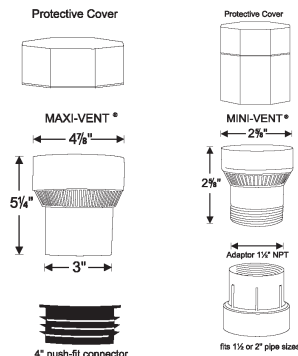
TRAP VENT

PART #	DESCRIPTION
--------	-------------



STUDOR VENTS

PART #	DESCRIPTION
40800420	Mini-vent (1-1/4-2")
40800561	Maxi-vent (3"-4")

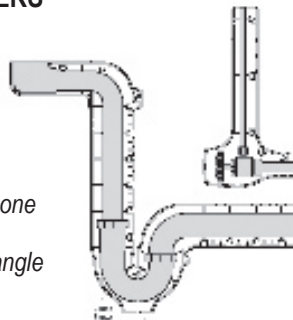


ADA UNDERSINK PIPING COVERS

(Clear pipe covers shown on page 17-9)

PART # 40800339	(white, double kit)
PART # 50551228	(white, single kit)

Single kit includes one P-trap cover, one angle valve and supply cover
 Double kit includes one P-trap, two angle valve and supply covers



EXTENSION TUBE – SOLVENT WELD

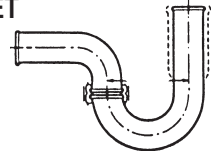
PART #	DESCRIPTION
50551284	1-1/2" X 12"



GLASS SWIVEL P-TRAP LONG OUTLET

P-Trap assembly comes with Bead-to-Bead coupling at the swivel joint.

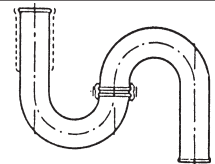
PART # 47782002	1-1/2" x 1-1/2"
PART # 47782004	2" x 2"



GLASS SWIVEL S-TRAP

S-Trap assembly comes with Bead-to-Bead coupling at the swivel joint.

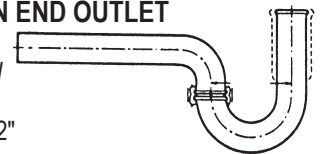
PART # 47782012	1-1/2" x 1-1/2"
PART # 47782014	2" x 2"



GLASS SWIVEL P-TRAP PLAIN END OUTLET

P-Trap assembly comes with Bead-to-Bead coupling at the swivel joint. Plain end can be field cut.

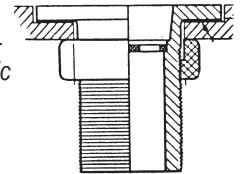
PART # 47782006	1-1/2" x 1-1/2"
PART # 47782008	2" x 2"



SINK OUTLET ASSEMBLY

Consists of sink strainer made of black fluorocarbon plastic, a black fluorocarbon plastic sink outlet, neoprene gasket and locknut.

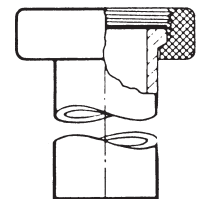
PART # 47781017	1-1/2"
PART # 47781016	2"



TAILPIECE ASSEMBLY

Annealed glass tailpiece can be field cut to exact length. Consists of a phenolic nut and glass tailpiece. Can be used on sink outlets having plastic or metal sink outlets having straight pipe threads. Gasket required between glass & metal.

PART # 47782020	1-1/2" x 6-1/2"
PART # 47782030	1-1/2" x 10-1/2"
PART # 47782040	1-1/2" x 6-1/2" tailpiece only



Did You Know?

By the time a person feels thirsty, his or her body has lost over 1 percent of its total water amount.



**TOTAL
MAINTENANCE
SOLUTIONS**

HOUSTON
800/392-5066

ORLANDO
800/327-3022

GREENVILLE
800/476-2212

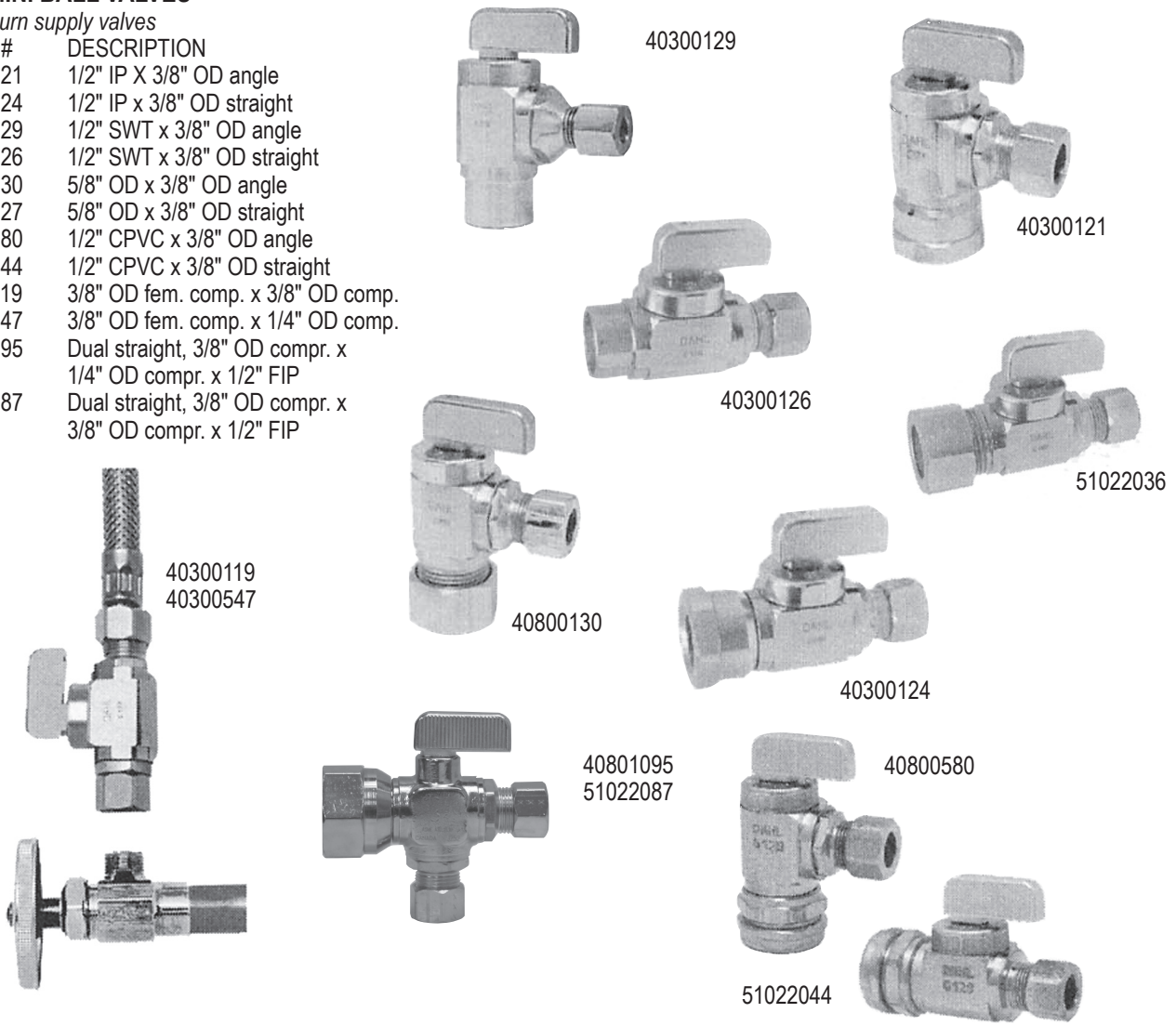
LOOK FOR US ON THE WEB AT: www.TMSSouth.com

WASTE & SUPPLY PRODUCTS

DAHL MINI BALL VALVES

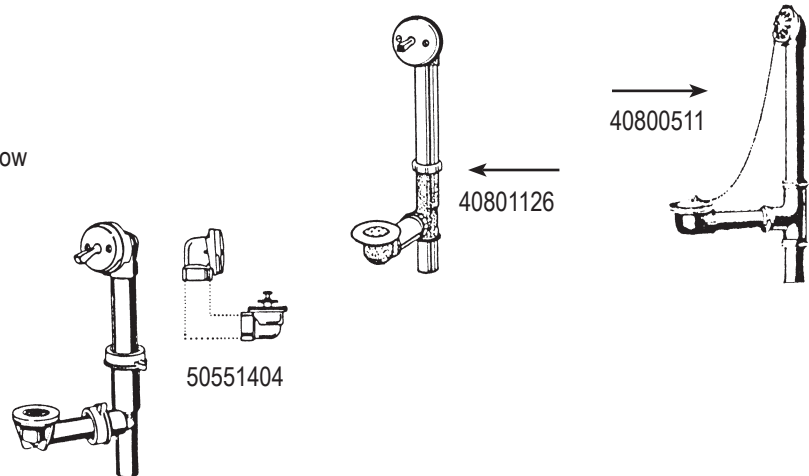
Quarter turn supply valves

PART #	DESCRIPTION
40300121	1/2" IP X 3/8" OD angle
40300124	1/2" IP x 3/8" OD straight
40300129	1/2" SWT x 3/8" OD angle
40300126	1/2" SWT x 3/8" OD straight
40300130	5/8" OD x 3/8" OD angle
40300127	5/8" OD x 3/8" OD straight
40800580	1/2" CPVC x 3/8" OD angle
51022044	1/2" CPVC x 3/8" OD straight
40300119	3/8" OD fem. comp. x 3/8" OD comp.
40800547	3/8" OD fem. comp. x 1/4" OD comp.
40801095	Dual straight, 3/8" OD compr. x 1/4" OD compr. x 1/2" FIP
51022087	Dual straight, 3/8" OD compr. x 3/8" OD compr. x 1/2" FIP



BATH WASTE & OVERFLOWS

PART #	DESCRIPTION
40800507	1-1/2" PVC Trip Lever waste
50551404	1-1/2" Sch. 40 PVC Half Bath Waste Lift & Turn
40801126	1-1/2" 20 GA Trip Lever waste & overflow
40800511	1-3/8" Waste & Overflow for Leg Tub
40801127	1-1/2" PVC Touch-Toe Waste



HOUSTON
800/392-5066

ORLANDO
800/327-3022

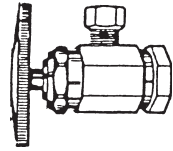
GREENVILLE
800/476-2212

LOOK FOR US ON THE WEB AT: www.TMSSouth.com

WASTE & SUPPLY PRODUCTS

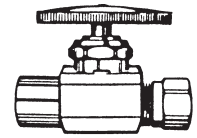
ANGLE STOPS – IRON PIPE INLET

PART #	DESCRIPTION
40300105	3/8" IP x 3/8" OD CP Brass
40801061	3/8" IP x 1/2" OD CP Brass
40300106	1/2" IP x 3/8" OD CP Brass
51942015	1/2" IP x 3/8" OD Polished Brass
40800553	1/2" IP x 1/4" OD CP Brass
40800856	1/2" IP x 1/2" OD CP Brass



STRAIGHT STOPS – SWEAT INLET

PART #	DESCRIPTION
40800582	1/2" Swt x 3/8" OD CP Brass
51941040	Handle (oval)
40800464	Handle (round)
51000026	Handle screw



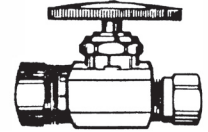
ANGLE STOPS – IRON PIPE INLET WITH LOCKSHIELD

PART #	DESCRIPTION
51942041	3/8" IP x 3/8" OD CP Brass
51942042	1/2" IP x 3/8" OD CP Brass



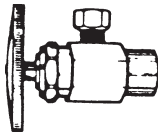
STRAIGHT STOPS – COMPRESSION INLET

PART #	DESCRIPTION
40800166	3/8" OD x 3/8" OD CP Brass
40800551	5/8" OD x 3/8" OD CP Brass
40300118	5/8" OD x 1/2" OD CP Brass



ANGLE STOPS – SWEAT INLET

PART #	DESCRIPTION
51942002	3/8" Swt x 3/8" OD CP Brass
40800471	1/2" Swt x 3/8" OD CP Brass
51942039	1/2" Swt x 5/8" OD CP Brass



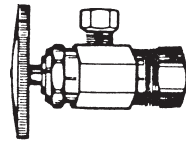
STRAIGHT STOPS – IRON PIPE INLET & OUTLET

PART #	DESCRIPTION
51942026	1/2" IP X 1/2" IP CP BRASS



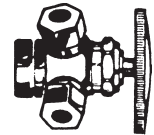
ANGLE STOPS – COMPRESSION INLET

PART #	DESCRIPTION
51942034	5/8" OD x 1/4" OD CP Brass
40800489	5/8" OD x 3/8" OD CP Brass
51942070	5/8" OD x 3/8" OD P//B



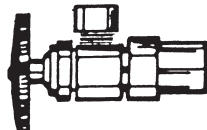
THREE-WAY ANGLE STOPS

PART #	DESCRIPTION
51942028	1/2" IP Inlet x 3/8" OD x 1/4" OD
51942030	1/2" IP Inlet x 3/8" OD x 3/8" OD
51942032	1/2" Swt Inlet x 3/8" OD x 3/8" OD
51942040	5/8" Nom Inlet x 3/8" OD x 3/8" OD



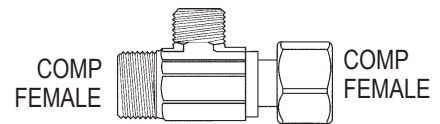
ANGLE STOPS-CPVC INLET

PART #	DESCRIPTION
40800490	1/2" CPVC x 3/8" OD CP Brass
51000024	Stem (long)



EZ CONNECT – COMP MALE X COMP FEM X COMP MALE

40800487	3/8 x 3/8	COMP MALE
40800524	3/8 x 1/4	COMP MALE



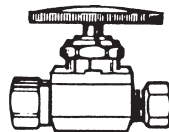
STRAIGHT STOP – CPVC INLET

PART #	DESCRIPTION
40800526	1/2" CPVC x 3/8" OD, straight stop



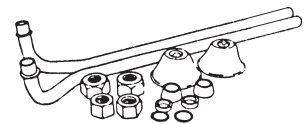
STRAIGHT STOPS – IRON PIPE INLET

PART #	DESCRIPTION
40300108	3/8" IP x 3/8" OD CP Brass
40800164	3/8" IP x 1/2" OD CP Brass
40800525	1/2" IP x 3/8" OD CP Brass
40300110	1/2" IP x 1/2" OD CP Brass
51000018	Stem (short)
51000020	Bonnet
40800628	Packing



CHROME PLATED LEG TUB SUPPLIES

PART #	DESCRIPTION
40800522	Off set Supplies for leg tub (pair)
51731010	Bathcock elbows
44732506	Top nut
40850132	Top nut washer
44732502	Bottom nut
40850131	Bottom nut washer



TOTAL MAINTENANCE SOLUTIONS

HOUSTON
800/392-5066

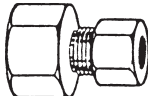
ORLANDO
800/327-3022


GREENVILLE
800/476-2212

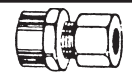
LOOK FOR US ON THE WEB AT: www.TMSSouth.com

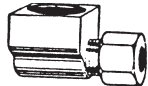
WASTE & SUPPLY PRODUCTS


**COMPRESSION FITTINGS FOR
3/8" & 1/2" O.D. TUBING**


PART #	DESCRIPTION	
40801130	3/8" Comp. x 3/8" FIP Chrome	
40800168	3/8" Comp. x 1/2" FIP Chrome	
40801131	1/2" Comp. x 3/8" FIP Chrome	

PART #	DESCRIPTION	
40801132	3/8" Comp. x 3/8" MIP Chrome	
51941108	3/8" Comp. x 1/2" MIP Chrome	
40800632	1/2" Comp. x 1/2" MIP Chrome	
40801133	1/2" Comp. x 3/8" MIP Chrome	


PART #	DESCRIPTION	
40801134	3/8" Comp. x 1/2" OD Swt. Chrome	

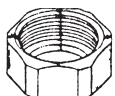
PART #	DESCRIPTION	
40800170	3/8" Comp. x 3/8" FIP Chrome Ell	
40801135	1/2" Comp. x 3/8" FIP Chrome Ell	

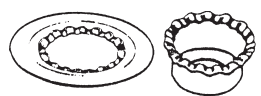
PART #	DESCRIPTION	
40900290	3/8" Chrome compression nut	
40900291	1/2" Chrome compression nut	

PART #	DESCRIPTION	
40900003	3/8" Brass compression sleeve	
40900005	1/2" Brass compression sleeve	
40800601	3/8" Neoprene compression sleeve	
40800523	3/8" Plastic (Delrin) compression sleeve	
40800631	1/2" Plastic (Delrin) compression sleeve	
40800600	1/4" Plastic compression sleeve	
40901003	1/4" OD Brass compression insert	
40902347	3/8" OD Brass compression insert	
40900991	1/2" OD Brass compression insert	
51388008	5/8" OD Brass compression insert	


PART #	DESCRIPTION	
40800458	Press-on washer for stop stem	

PART #	DESCRIPTION	
40801136	Closet supply plastic nose piece, 3/8" OD	


PART #	DESCRIPTION	
40800454	1/2" Brass basin nut	
40150126	1/2" Plastic nut	

PART #	DESCRIPTION	
40800529	Flat Rosette	
40800629	Deep (3/4") Rosette	


C/P LAVATORY SUPPLIES – WITH FORMED NOSEPIECE

PART #	DESCRIPTION	
40801137	3/8" OD x 12"	
51941004	3/8" OD x 15"	
40800227	3/8" OD x 20"	
51941007	3/8" OD x 20" Polished Brass	
40801138	3/8" OD x 30"	
51941010	3/8" OD x 36"	
40801139	1/2" OD x 20"	

C/P LAVATORY SUPPLIES WITH FORMED NOSEPIECE CORRUGATED


PART #	DESCRIPTION	
51941003	3/8" OD x 12"	
51941005	3/8" OD x 20"	

C/P SINK SUPPLIES – THREADED 1/2" MIP (TAPPED 1/4" FIP)


PART #	DESCRIPTION	
51941034	3/8" OD x 1/2" MIP x 20"	
51941036	1/2" OD x 1/2" MIP x 20"	

3-1/2" x 1/16" Galvanized ring

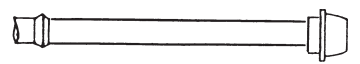
C/P CLOSET SUPPLIES WITH PLASTIC INSERT

PART #	DESCRIPTION	
40801145	3/8" X 12"	
40800231	3/8" X 12"	
51941013	3/8" X 12" Polished Brass	
40800232	3/8" x 20"	
40800233	1/2" x 12"	

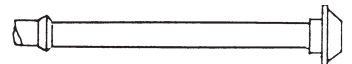
C/P CLOSET SUPPLIES WITH FORMED NOSEPIECE CORRUGATED

PART #	DESCRIPTION	
51941011	3/8" x 12"	

LAVATORY SUPPLIES - PEX

PART #	DESCRIPTION	
40800549	3/8" x 12"	
40800486	3/8" x 20"	
40800550	3/8" x 30"	
40800457	3/8" x 36"	
40801153	1/2" x 12"	
40800461	1/2" x 20"	

CLOSET SUPPLIES – PEX

PART #	DESCRIPTION	
40800581	3/8" x 12"	
40800456	3/8" x 20"	
51941031	1/2" x 15"	



HOUSTON 800/392-5066 ORLANDO 800/327-3022 GREENVILLE 800/476-2212

LOOK FOR US ON THE WEB AT: www.TMSSouth.com

WASTE & SUPPLY PRODUCTS

LAVATORY CONNECTORS – BRAIDED STAINLESS STEEL

PART #	DESCRIPTION
40800259	3/8" Comp. nut x 9"
40800236	3/8" Comp. nut x 12"
51021004	3/8" Comp. nut x 20"
40800261	3/8" Comp. nut x 30"
40800578	1/2" Comp. nut x 20"
40800483	3/8" Comp. nut x 3/8" Comp. Coupling x 12"
40800484	3/8" Comp. nut x 3/8" Comp. Coupling x 20"
40800485	3/8" Comp. nut x 3/8" Comp. nut x 12"
40800519	3/8" Comp. nut x 3/8" Comp. nut x 20"
40800236	12" supply, w/ washers
40800238	20" supply, w/ washers

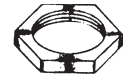


BRAIDED STAINLESS STEEL APPLIANCE CONNECTORS

PART #	DESCRIPTION
40800513	3/8" Comp. nut x 40" – dishwasher
40800252	3/8" Comp. nut x 72" – dishwasher
40800514	1/4" Comp. nut x 84" – icemaker

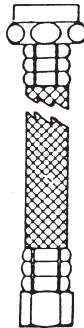
LOCKNUTS

PART #	DESCRIPTION
40800598	Brass Locknut, basin
51000048	Die Cast Locknut, basin
40150126	1/2" Plastic locknut



LAVATORY CONNECTORS – REINFORCED PVC

PART #	DESCRIPTION
40800480	3/8" Comp. nut x 12"
40800468	3/8" Comp. nut x 20"
40800630	3/8" Comp. nut x 30"
40800542	1/2" Comp. nut x 12"
51001007	3/8" OD x 3/8" comp. coupling x 12"
40800481	1/2" Comp. nut x 20"
51001009	1/2" FIP x 1/2" FIP x 24"

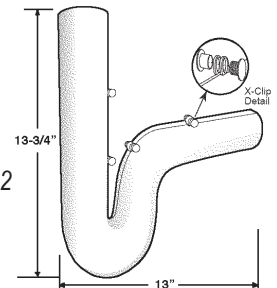


ADA UNDERSINK PIPING COVERS

(White pipe covers shown on page 17-5)

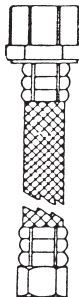
PART # 40800340 (clear, double kit)

Double kit includes one P-trap cover and 2 valve and supply covers with hardware



CLOSET CONNECTORS – REINFORCED PVC

PART #	DESCRIPTION
40800599	3/8" Comp. nut x 9"
40800512	3/8" Comp. nut x 12"
40800576	3/8" Comp. nut x 20"
40801141	1/2" Comp. nut x 12"
40801142	1/2" Comp. nut x 20"



S/S SOFT CONE WASHER SUPPLY LINES

PART #	DESCRIPTION
51021101	9" Soft-Cone S/S Faucet Connector
40800515	12" Soft-Cone S/S Faucet Connector
40800435	16" Soft-Cone S/S Faucet Connector
40800470	20" Soft-Cone S/S Faucet Connector
40800380	9" Soft-Cone S/S Closet Connector
40800517	12" Soft-Cone S/S Closet Connector
40800545	16" Soft-Cone S/S Closet Connector
51021112	20" Soft-Cone S/S Closet Connector
40800546	16" Soft-Cone S/S Closet Connector 1/2" x 1/2" FPT

CLOSET CONNECTORS – BRAIDED STAINLESS STEEL

PART #	DESCRIPTION
40800543	3/8" Comp. nut x 9"
40800469	3/8" Comp. nut x 12"
40800544	3/8" Comp. nut x 20"
40800400	3/8" Comp. nut x 20" – TMS label
40800383	1/2" Comp. nut x 12"
40800521	12" supply, w/ washers
40800247	20" supply, w/ washers



Did You Know?

Pure water (solely hydrogen and oxygen atoms) has a neutral pH of 7, which is neither acidic nor basic.

– Allaboutwater.org



TOTAL MAINTENANCE SOLUTIONS

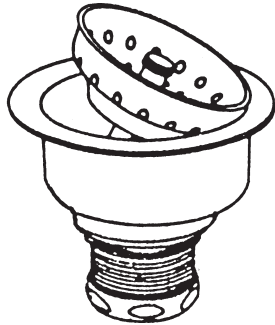
HOUSTON
800/392-5066

ORLANDO
800/327-3022

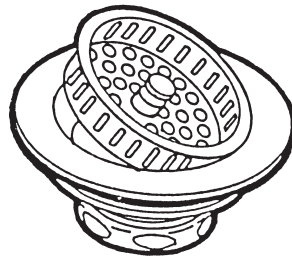
GREENVILLE
800/476-2212

LOOK FOR US ON THE WEB AT: www.TMSSouth.com

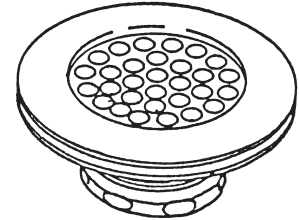
WASTE & SUPPLY PRODUCTS



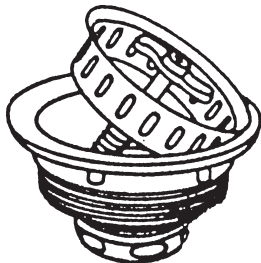
PART # DESCRIPTION
 40800423 Cup Style strainer. Economy model. Deep drawn S/S construction. Fits 3-1/2" to 4" drain opening
 47001027 Basket only
 40800159 Cup style strainer. Deluxe model. Buffed & Polished - Chrome nickel. Stainless Steel body. Stainless steel basket. Fits 3-1/2" to 4" opening.
 47001038 Basket only



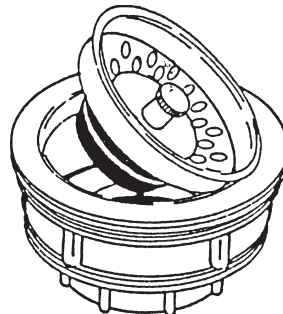
PART # DESCRIPTION
 40800158 Chrome plated brass body. Deluxe model. Stainless steel basket with neoprene stopper. Fits 3- 1/2" to 4" drain opening.
 40800534 All stainless steel. Economy model. Fits 3-1/2" to 4" drain opening.
 40800596 Basket only



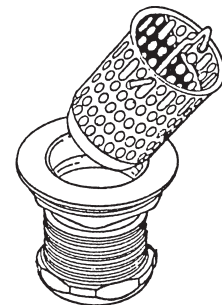
PART # DESCRIPTION
 40800379 4-1/2" Flat Top Sink Strainer for 3" to 3-1/2" outlet. Reversible locknut for use on S/S or cast iron sinks.



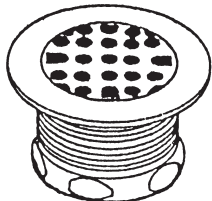
PART # DESCRIPTION
 40800498 Spin & Seal Basket Sink Strainer Assy. Heavy duty construction with S/S basket & reversible locknut.
 47003008 Basket only



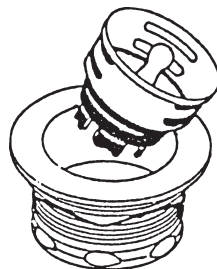
PART # DESCRIPTION
 40800565 Hi-Impact polypropylene basket sink strainer. All wearing parts are made of stainless steel.
 47009003 Basket only



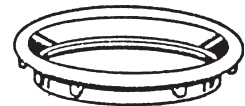
PART # DESCRIPTION
 47001013 Bar Sink Strainer, brass body with S/S crumb cup. Length 2-1/2"
 40800175 Basket only



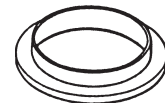
PART # DESCRIPTION
 40800160 Duplex Strainer. Designed for use in bar sinks and mobile homes. Stainless steel construction. For sinks with 2-1/2" opening.



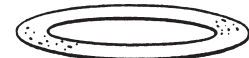
PART # DESCRIPTION
 40800161 Junior Duo Bar Sink Strainer with Basket. For 2" to 2-1/2" opening. Length 1-1/8"
 40800839 Basket only



SINK STRAINER LOCKNUTS
 PART # 40801144 Die Cast 3-3/8"
 PART # 44677006 Die Cast 1-1/2"



TAILPIECE WASHER
 PART # 40950002 1-1/2" flanged



STRAINER GASKETS & FRICTION RINGS
PART # DESCRIPTION
 40950130 Rubber Gasket 4-1/2" x 3-1/2" x 1/8"
 40800616 Plastic ring 4-3/8" x 3-1/2" x 1/16"
 40801145 Galvanized ring



TOTAL MAINTENANCE SOLUTIONS

HOUSTON
 800/392-5066

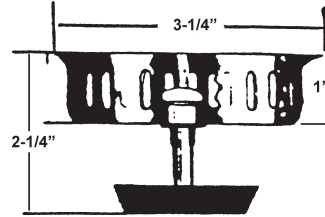
ORLANDO
 800/327-3022

GREENVILLE
 800/476-2212

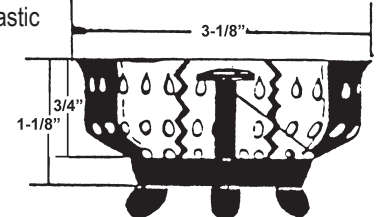
LOOK FOR US ON THE WEB AT: www.TMSSouth.com

WASTE & SUPPLY PRODUCTS

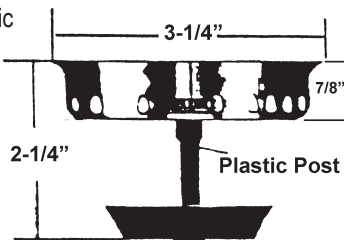
Stainless steel basket with metal post and black rubber stopper.
PART # 40800465



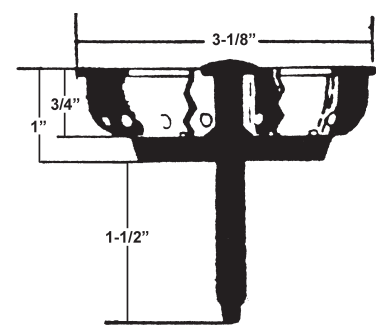
Stainless steel basket with plastic post and rubber stopper.
Sterling
PART # 40801147



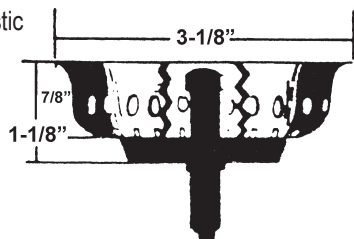
Stainless steel basket with plastic post and black rubber stopper.
PART # 47991018



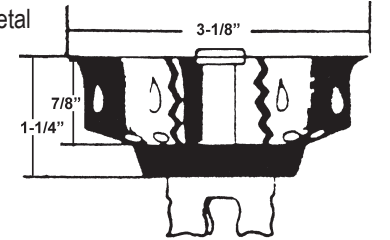
Stainless steel basket with plastic post and black rubber stopper.
PART # 40801148



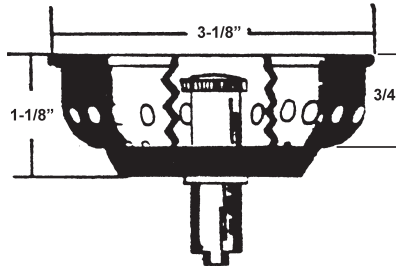
Stainless steel basket with plastic post and rubber stopper.
PART # 40800596



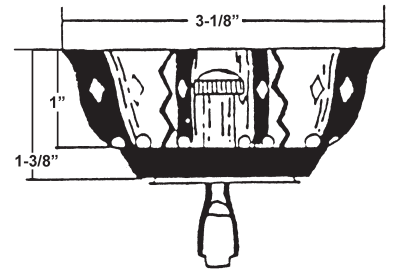
Stainless steel basket with metal post and rubber stopper.
PART # 47001036



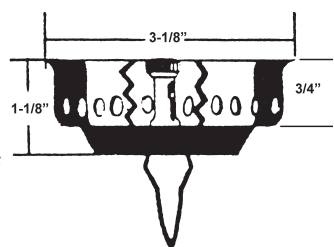
Stainless steel basket with metal post and rubber stopper.
PART # 40800843



Stainless steel basket with metal post and rubber stopper. Replaces American Standard 13604-02 & 55781-07.
PART # 47001038

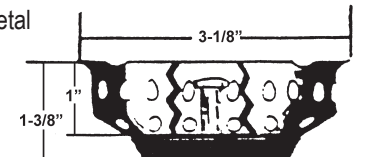


Stainless steel basket with metal post and S/S clip closure. Top of basket to tip of clip is 2-7/8"
PART # 40801146

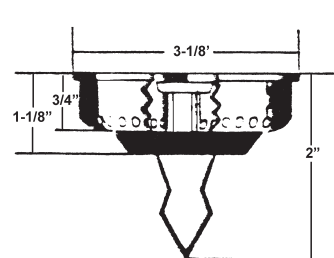


Same as 47001027 except top of basket to tip of clip is 2".
PART # 40800447

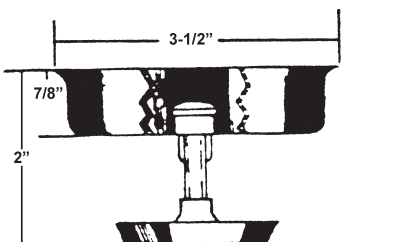
Stainless steel basket with metal post and rubber stopper.
PART # 40800621



Stainless steel basket with metal post and plastic clip closure.
Dearborn
PART # 47001032



Stainless steel basket with metal post and stopper.
Kohler 30122
PART # 40800174



**TOTAL
MAINTENANCE
SOLUTIONS**

HOUSTON
800/392-5066

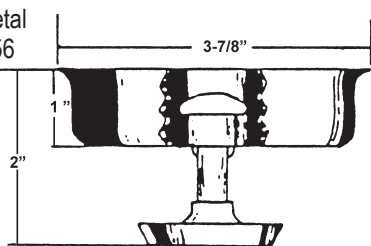
ORLANDO
800/327-3022

GREENVILLE
800/476-2212

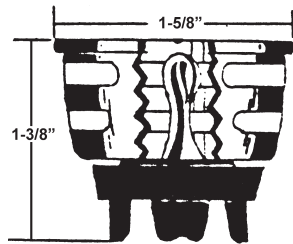
LOOK FOR US ON THE WEB AT: www.TMSSouth.com

WASTE & SUPPLY PRODUCTS

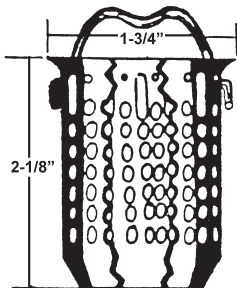
Stainless steel basket with metal post and stopper. Kohler 38556
PART # 09892380



Stainless steel basket with metal post and rubber stopper. Jr. DUO
PART # 40800839



Stainless steel crumb cup basket with handle.
PART # 40800175



Sink type strainer with post 1-1/2" Dia.
PART # 40800176



Basin type strainer less post 1" Dia.
PART # 40800650



Basin type strainer less post 1-1/2" Dia.
PART # 40800177

Strainer with 3 prongs 1-7/8" Diameter
PART # 40800178



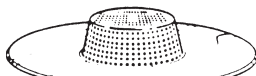
Strainer with 3 prongs 1-5/8" Diameter
PART # 40800849

Skirted strainer. 2-3/4" diameter. Shoulder grips inside of drain. Material CP steel
PART # 40801149



Hair Snare drain guard. Prevents hair from clogging drains. Fits any sink, tub or shower.
PART # 44166504

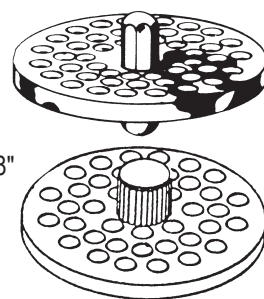
FOR STAINLESS STEEL
SEE 16-12



Suction Sink stopper. 5" diameter Fit-All
PART # 40950139



Garbage Disposal Strainer. Stops any solids or valuable objects from falling into the disposal. Diameter 3-1/4"
PART # 44006524

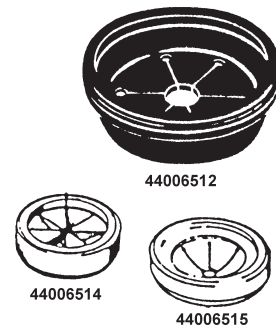


Same as 44006524 but diameter is 3-1/8"
PART # 44166524

Fit-All kitchen sink and disposal stopper. White vinyl with knob.
PART # 40800593



- | PART # | DESCRIPTION |
|----------|--|
| 40801150 | Replacement Disposal Shield 3-5/16" O.D. x 13/16" high |
| 40801151 | In-Sink-Erator Disposal Shield OEM 1439 |
| 44006515 | In-Sink-Erator Disposal Shield OEM 8302 |
| 44006532 | G.E. Disposal Shield OEM WC3X89 |

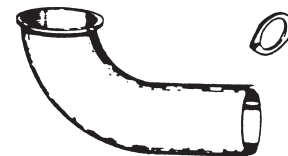


DISPOSAL GASKET

Fits most garbage disposals. Made of Neoprene
PART # 40801152



DISPOSAL ELL
1-1/2" ABS
PART # 44006520



DISPOSAL FLANGE
PART # 44006502

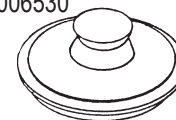
DISPOSAL CONNECTOR

Made of rubber with four clamps of varying sizes to connect dishwasher to disposal.
PART # 40800088



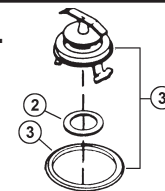
DISPOSAL STOPPER

Fits most disposals.
PART # 44006516
G.E. disposal stopper
PART # 44006530



IN -SINK-ERATOR LOCK STOPPER ASSY.

- PART # 44006506
- PART # 44001144
- PART # 44006508



**TOTAL
MAINTENANCE
SOLUTIONS**

HOUSTON
800/392-5066

ORLANDO
800/327-3022

GREENVILLE
800/476-2212

LOOK FOR US ON THE WEB AT: www.TMSSouth.com

INDEX

- A**
- Acom
 - Washfountain Repair Parts 14-1-14-3
 - Acorn Engineering 1-1,1-2
 - ADA Undersink Piping Covers 17-5,17-9
 - Add-A-Valve 8-4
 - Aerators 1-193-1-194
 - Air Eliminators 7-7
 - American Standard 1-3 – 1-29
 - Flush Valves 12-13 – 12-14
 - Toilet Repair Parts 12-17 – 12-18
 - Water Cooler Parts 13-2-13-5
 - American Sterilizer 1-29
 - AMSCO 1-29
 - Anti-slip Materials
 - Safety-Walk 4-14
 - Augers 10-2
 - Aurora Steel 5-15
- B**
- Backflow Preventers 7-4
 - Ballcocks, Complete 12-16
 - Ballcock Repair 12-21
 - Ball Valves, PVC 8-3
 - Barrel Nuts 5-7
 - Basin Buddy 10-14
 - Basket Strainers 17-10-17-12
 - Bath Waste & Overflow 17-6
 - Bath Waste & Overflow Plates 16-2
 - Batteries 10-20
 - Bending springs 10-26
 - Big Foot Toilet Gaskets 12-8
 - Big John Toilet Seats 12-12
 - Brackets, Partition 5-6
 - Bradley 1-30,1-31,1-32,1-33,1-36
 - Drench Showers 4-1
 - Safety Equipment
 - Repair Parts 4-3
 - Replacement parts 4-1,4-2
 - Washfountains 14-4 – 14-22
 - Bradley/Briggs 1-34
 - Brass Closet & Urinal Spuds 12-9
 - Briggs 1-34,1-35
 - Briggs Toilet Repair 12-23-12-24
 - Bristol Faucets 1-36
 - Brushes 10-26
 - Bucket Boss 10-24
 - Burlington Brass 1-35
 - Toilet Repair Parts 12-19
 - B & G 7-16 – 7-20
- C**
- Can Openers
 - Edlund 2-37
 - Cast Iron Grates 15-2
 - Caulks 3-8
 - Cements 3-9
 - Oatey 3-9
 - Central Brass 1-37 – 1-43
 - Bubblers 13-23
 - Water Cooler Parts 13-6
 - Check Valves 8-3
 - CHG 2-5-2-7
 - Chicago Faucets 1-44 – 1-49, 2-9 – 2-12
 - Urinal Valve 11-6
 - Clean-Out Plugs 15-2
 - Cleaners 3-3
 - Cleanout Covers 15-1
 - Closet Bowl Cushions & Gaskets 12-7
 - Closet Carriers 12-3
 - Closet Carrier Parts 12-5
 - Closet Connectors 17-9
 - Closet Screws, Bolts & Caps 12-5
 - Coast Foundry Repair 12-19
 - Coat Hooks & Bumpers 5-8
 - Component Hardware Group *See* CHG
 - Compression Fittings 17-8
 - Concealed Latches 5-13
 - Continuous Hinges 5-9
 - Coral Collection Faucets 9-5
 - Corner Guards 5-3
 - Crane 1-50 – 1-59
 - Water Cooler Parts 13-7
 - Crimping tools 10-26
 - Cutters
 - Gasket 10-24
 - Gauge glass 10-24
 - Radiator Specialty 10-25
 - Tubing 10-24,10-25
 - Wheel 10-25
 - Cutting heads
 - General Wire 10-5
 - Marco 10-7
- D**
- Dahl Mini Ball Valves 17-6
 - Degreasers 3-3
 - Delany
 - Flush Valve Parts 11-7 – 11-15
 - Delta 1-60 – 1-69
 - Toilet Repair Parts 12-19
 - Deodorizers 3-2
 - Door Hinge Accessories 5-12
 - Door Inserts 5-11
 - Door Pulls 5-9
 - Door Stops 5-1 – 5-2
 - Drain Cleaners 3-1 – 3-2
 - Drain Machines
 - Drum Machine, General Wire 10-6
 - Drum Machine, Spartan 10-8
 - Machines and Parts, Ridgid 10-10
 - Repair Parts, Spartan 10-9
 - Drain machines
 - Drum machine, General Wire 10-7
 - Hand held, General Wire 10-7
 - Drapery Accessories 5-3



**TOTAL
MAINTENANCE
SOLUTIONS**

HOUSTON
800/392-5066

ORLANDO
800/327-3022

GREENVILLE
800/476-2212

LOOK FOR US ON THE WEB AT: www.TMSSouth.com

INDEX

E

Ebco
 Water Cooler Parts 13-8 – 13-14
 Eljer 1-70 – 1-77
 Toilet Repair Parts 12-20
 Water Cooler Parts 13-15
 Eljer Touch Flush Repair 12-15
 Elkay 1-78
 Water Cooler Parts 13-16 – 13-22
 Encon
 Safety Equipment Replacement Parts 4-4
 Epoxy Compounds 3-10
 Erase-It 3-3
 Escutcheons 17-4
 Extractor Tools 10-16

F

Falcon Waterfree Urinals 12-4
 Fasteners 10-29
 Faucets
 Coral Collection TMS 9-5
 Hospital Medical 9-7
 Saniguard 9-8
 Lavatory
 One handle 9-1,9-2
 Two handle 9-1,9-2
 Service Sink 9-6
 Single sink Basin cock 9-4
 Sink One handle 9-3
 Basin cock 9-4
 Two handle 9-3
 Faucet Handles 1-198
 Faucet Hole Cover Up Plates 1-195
 Faucet Repair
 Acorn Engineering 1-1,1-2
 Aerators 1-193–1-194
 American Standard 1-3 – 1-29
 AMSCO 1-29
 Bradley 1-30 – 1-36
 Bradley/Briggs 1-34
 Briggs 1-34,1-35
 Bristol Faucets 1-36
 Burlington Brass 1-35
 Central Brass 1-37 – 1-43
 Chicago Faucets 1-44 – 1-49
 Handles 1-47
 Sink Fittings 1-48,1-49
 Spouts 1-47
 Crane 1-50 – 1-59
 Delta 1-60 – 1-69
 Handles 1-69
 Spouts 1-69
 Eljer 1-70 – 1-77
 Elkay 1-78
 Faucet Handles 1-198
 Faucet Hole Cover Up Plates 1-195
 Gerber 1-79 – 1-83
 Grohe 1-84,1-85
 Handles 1-198,1-199
 Handle Bushings 1-199

Faucet Repair, continued

Harcraft 1-86,1-87
 Hydrotek 1-88
 Indiana Brass 1-89,1-90
 Kitchen Spray Diverters 1-196
 Kohler 1-91 – 1-111
 Kohler Niedecken 1-95
 Lawler 1-112,1-113
 Leonard 1-114 – 1-118
 Logan 1-119
 Milwaukee 1-120,1-121
 Mixet 1-122
 Moen 1-123 – 1-128
 Moratemp 1-122
 Nibco 1-129,1-131
 Powers 1-132 – 1-139
 Price Pfister 1-140 – 1-144
 Rada 1-145
 Royal Brass 1-146,1-147
 Sayco 1-148,1-149
 Scot 1-178,1-179
 Screws 1-198
 Sink Frames 1-197
 Sink Hangers 1-195
 Sink Lugs 1-197
 Sink Sprayers 1-195
 Sloan 1-150,1-151
 Sterling 1-167,1-168
 Streamway 1-169
 Symmons 1-170 – 1-178
 Tub & Shower Trim Kits 1-203 – 1-211
 T & S 1-180 – 1-182
 Ultra Lab 1-189
 Union Brass 1-183,1-184
 Valley 1-186–1-187
 Water Saver 1-188
 Spouts 1-189
 Zurn 1-190 – 1-192
 Faucet Seat Dressers 10-14
 Faucet seat wrenches 10-23
 Faucet Washers 1-200
 Fiberglass Handhole Gaskets 7-14
 Fiberglass Manhole Gaskets 7-15
 Fisher 2-13–2-16
 Fisher Drains 2-4
 CHG Saniguard 9-13
 Flanges 12-9
 Flange Elements 7-27
 Flappers, Toilet 12-13
 Flaring tool 10-26
 Flashlights 10-20
 Terralux 10-19
 Flat Strainers 15-1
 Float & Thermostatic Traps 7-11
 Float Valves 7-5
 Flood Guards 15-1
 Floor Sink Grates & Strainers 15-8
 Floor Strainers 15-1
 Fluidmaster
 Toilet Repair Parts 12-20
 Flushmate by Sloan 12-27–12-28



**TOTAL
 MAINTENANCE
 SOLUTIONS**

HOUSTON
 800/392-5066

ORLANDO
 800/327-3022

GREENVILLE
 800/476-2212

LOOK FOR US ON THE WEB AT: www.TMSSouth.com

Flush Valves, Complete
 Delany 11-1
 Sloan 11-2
 Toto 11-1
 Zurn 11-3

Food Service Faucets
 Chicago Faucet 2-9
 Food Service Fittings 9-11-9-12
 CHG 9-13

G

Gas Appliance Connectors 2-41,7-31
 Gate Valves 8-2
 Gauge Cocks 7-13
 Gauge Glass Cutters 7-15
 General Wire
 Cutting heads 10-5
 Gerber 1-79,1-80,1-81,1-82,1-83
 Globe valves 8-2
 Gloves 10-23
 Glues 3-10
 Grab Bars 5-5
 Grab Bars, Specialty 5-20
 Grohe 1-84,1-85
 Grundfos 7-20-7-21
 Guardian Equipment
 Repair parts 4-5
 Replacement parts 4-4
 Guide Arms 12-15

H

Halsey Taylor
 Glass Fillers 13-23
 Self-closing stops 13-23
 Water Cooler Parts 13-25 – 13-38
 Handles 1-198,1-199
 Handle Bushings 1-199
 Handle Inserts *See* Handle Bushings
 Handle Pullers 10-14
 Hand held showers 16-12
 Accessories 16-12
 Harcraft 1-86,1-87
 Haws
 Safety Equipment
 Complete units 4-6
 Water Cooler Parts 13-39 – 13-43
 Haws/Western
 Safety Equipment
 Replacement parts 4-7,4-8
 Heavy Cast Drain Assemblies 2-3
 Hex Key Sets 10-22
 High Pressure Gauge Glass 7-14
 Hinges 5-9
 Hinges, Gravity 5-10
 Hinges, Gravity Pivot 5-10
 Hinges, Surface Mounted 5-11
 Hold Zit Straps 10-20
 Hose Bibbs, Bronze 8-2
 Hospital & Medical Faucets 9-7-9-8
 Hot Water Pumps 7-1

Huntington Brass Faucets 9-2
 Hydrant Keys 8-26
 Hydrotek 1-88
 Hydrotek Flush Valve Parts 11-16

I

Indiana Brass 1-89,1-90
 Toilet Repair 12-21
 Industrial Thermometers 7-13
 Inspection systems 10-3
 Intersan Washfountain Parts 14-23 – 14-30

J

J-Bends 17-1,17-3
 Jet Swet 10-27
 Johnny Covers 12-1
 Jonespec Parts 8-5 – 8-6
 Josam
 Iron Grates & Buckets 15-7
 Replacement Grates 15-4
 Josam Hydrant Parts 8-7 – 8-10

K

Kick Plates 5-2
 Kitchen Spray Diverters 1-196
 Kohler 1-91 – 1-111
 Toilet Repair 12-21-12-22,12-25
 Water Cooler Parts 13-44-13-47
 Kohler Niedecken 1-95

L

Laboratory Service Fittings 9-9-9-10
 Lavatory Faucets 9-1-9-2
 Lavatory Supplies 17-8-17-9
 Lawler 1-112,1-113
 Leonard 1-114 – 1-118
 Lift Wires 12-15
 Lime Removers 3-4
 Locker Parts 5-14-5-19
 Logan 1-119
 Lubricants 3-4,3-5

M

Machine Screws *See* Screws, Machine
 Mansfield
 Flush Valve Repair Parts 11-18
 Mansfield Hydrant Parts 8-11
 Mansfield Toilet Repair 12-15,12-26
 McDonnell & Miller Repair Parts 7-9
 Mechanical fingers 10-20
 Meter Boxes 8-4
 Milwaukee 1-120,1-121
 Mini Tank Water Heaters *See* Water Heaters, Mini Tank
 Mixet 1-122
 Moen 1-123 – 1-128
 Molded Rubber Handhole Gaskets 7-15
 Moratemp 1-122
 Murdock Fountain Parts 13-48



**TOTAL
 MAINTENANCE
 SOLUTIONS**

HOUSTON
 800/392-5066

ORLANDO
 800/327-3022

GREENVILLE
 800/476-2212

LOOK FOR US ON THE WEB AT: www.TMSSouth.com

INDEX

N

Neoprene Faucet Washers *See* Faucet Washers
 Nibco 1-129,1-131
 Nibco Hydrant Parts 8-11
 Nut drivers 10-23

O

O-rings 1-200–1-202
 Oatey PVC Top Grates 15-5
 One-Way Screws *See* Screws, One-way
 Overflow Tubes 12-15

P

P-Traps 17-1,17-3
 Partitions 5-5
 Partition Brackets *See* Brackets, Partition
 Penetrants 3-5
 Pilaster Shoes 5-8
 Pipe taps 10-28
 Pipe Thread Compounds 3-5
 Pipe Wrenches 10-14
 Pliers 10-14
 Plungers 10-1
 Powers 1-132 – 1-139
 Pre-Rinse parts 2-5, 2-7, 2-8, 2-13, 2-16, 2-20, 2-23, 2-28, 2-30, 2-31
 Pressure Assisted Tank Levers 12-26
 Pressure Gauges 7-12
 Price Pfister 1-140 – 1-144
 Protective Gear 3-8
 Push/Pull Plates 5-3

R

Rada 1-145
 Radiator Valve Handles 7-8
 Reciprocating blades 10-18
 Replacement Grates, Miscellaneous 15-1
 Retrofit Kits, Flush Valve 11-4
 Roof flashing 3-10
 Rotary Drains 2-1
 Parts for Klein & Franklin Waste 2-2
 Royal Brass 1-146,1-147
 Rubber Expansion Plugs 15-2
 Rubber Slip Joint Washers 17-3

S

S-Traps 17-1,17-3
 Safety Relief Valves 7-1,7-3
 Saniflo Products 12-2
 Saniguard Faucets 9-8
 Saws 10-16
 Sayco 1-148,1-149
 Scot 1-178,1-179
 Screwdrivers 10-21
 Screwdriver Bit set
 Security/Standard 10-29
 Screws
 Machine 5-7
 One way 5-7, 10-30
 Security 5-7

Sealants 3-8
 Security Screws *See* Screws, Security
 Service Fittings
 Laboratory 9-9,9-10
 Service Sink Faucets 9-6
 Sewer Rods 10-3
 Shoulder Screws 5-7
 Showerheads
 All manufacturers 16-10,16-11
 Sidecar Keyring 10-26
 Sillcock, Bronze 8-2
 Sillcocks, Anti-Freeze 8-3
 Sinks
 Advance Tabco 2-36
 Krowne 2-35
 Sink Faucets 9-3
 Sink Frames 1-197
 Sink Hangers 1-195
 Sink Lugs 1-197
 Sink Sprayers 1-195
 Slide Latches, Surface Mounted 5-14
 Slip Joint Nuts 17-3
 Sloan 1-150,1-151
 Flushmate 12-27–12-28
 Flush Valve Repair Parts 11-18–11-31
 Slow Close Valve
 Central Brass 11-5
 Smith
 Replacement Grates 15-4
 Smith Hydrant Parts 8-12–8-14
 Soldering Flux 3-7
 Brushes 3-7
 Speakman
 Safety Equipment
 Repair parts 4-11,4-12,4-13
 Safety equipment
 Complete units 4-9
 Specialty Grab Bars *See* Grab Bars, Specialty
 Spray Diverters 1-196
 Faucet Repair 1-196 *See also* Kitchen Spray Diverters
 Spray Valves 2-8,2-13,2-16,2-18
 Steam & Water Supply Valves 7-8
 Steam Vents 7-6
 Stem & Valve packing 3-6
 Stem Extenders 1-199
 Sterling 1-167,1-168
 Stoppers 16-3,16-4
 Stops
 Angle 17-7
 Straight 17-7
 Strahman 2-29
 Strap wrench 10-14
 Streamway 1-169
 Strike & Keeper 5-7–5-8
 Strike & Keepers, Round Edge 5-9
 Sump Pumps 7-1
 Sunroc
 Water Cooler Parts 13-49–13-52
 Symmons 1-170 – 1-178



**TOTAL
 MAINTENANCE
 SOLUTIONS**

HOUSTON
 800/392-5066

ORLANDO
 800/327-3022

GREENVILLE
 800/476-2212

LOOK FOR US ON THE WEB AT: www.TMSSouth.com

T

Taco Circulators 7-22 – 7-26
 Tailpieces 17-1,17-2,17-5
 Tank Bends 12-9
 Tank to Bowl Gaskets 12-6
 Tape 3-4
 Tape measures 10-26
 Tempering Valves 7-5
 Thermostatic Mixing Valves 7-5
 Thermostatic Traps 7-9
 Thread & Gasket Compounds 3-6
 TMS Faucets 2-30
 Toggle bolts 10-28
 Toilets, Complete 12-1
 Toilet Compartments 5-4
 Toilet Flappers *See* Flappers, Toilet
 Toilet Handle Repair Parts 12-29
 Pressure Assist Toilets 12-30
 Toilet Kart 12-2
 Toilet Seats 12-10–12-12
 Tomlinson 2-35
 Tools, Flush Valve 11-4
 Tools, special 10-18,10-19
 Torches
 Hand torch accessories 10-27
 Propane 10-27
 Toto
 Flush Valve Parts 11-32–11-37
 Trap Drain Adapters 17-4
 Trap Primers 15-5
 Trap Standards 15-5
 Tub & Shower Trim Kits 203–211
 Tub Diverter Spouts
 Nose end connection 16-1
 Wall end connection 16-1
 Tub Repair
 Frost 16-7
 Gerber 16-7
 Indiana Brass 16-7
 Kohler 16-7,16-8
 Price Pfister 16-8
 Sayco 16-9
 Sterling 16-9
 Union Brass 16-9
 American Standard 16-5
 Central Brass 16-5
 Crane 16-6
 Delta 16-6
 Eljer 16-6
 Tub repair parts
 Miscellaneous 16-4
 Tub Spouts 16-1
 Nose end connection 16-1
 Wall end connection 16-1
 Diverter, special application 16-2
 Repair Kits 16-2
 T & S Brass 1-180 – 1-182, 2-17 – 2-29

U

Ultra Lab 1-189
 Union Brass 1-183,1-184
 Universal Rundle Toilet Repair 12-15
 Universal Toilet Supports 12-12
 Urinals 12-3
 Urinal Gaskets 12-7
 Urinal Strainers & Screens 11-37

V

Vacuum Breakers 7-4
 Vacuum Breaker Repair Kits 1-47,1-188,2-33,2-38
 Valley 1-186–1-187
 Valves, Bronze 8-1–8-3

W

Wade
 Replacement Grates 15-4
 Wade Hydrant Parts 8-14–8-16
 Wall anchors 10-28,10-30
 Wall Bumpers 5-1
 Wall Faucets, Freezeless 8-26
 Wall Stops 5-1
 Washdown Equipment 2-39
 Waste & overflow
 Accessories 16-3
 Waste Arms 17-1,17-4
 Waste Tubes 17-2
 Water Coolers
 Halsey Taylor 13-1
 Water Cooler Bubblers, Generic 13-8
 Water filters 3-10,3-11
 Commercial 3-11
 Water Filter Replacement Cartridges 2-40
 Water Fountains
 Central Brass 13-24
 Halsey Taylor 13-24
 Kohler 13-24
 Water Gauges 7-14
 Water Heaters, Mini Tank 7-30
 Water Heater Parts 7-27–7-29
 Water Meter Nipples 8-3
 Water Pressure Reducing Valves 7-3
 Water Pressure Safety Relief Valves 7-2
 Water Saver 1-188,1-189
 Water Saving Ideas
 TMS 2-34
 Water Vents 7-7
 Watts Hydrant Parts 8-17
 Window Balances 5-21–5-32
 Woodford Hydrant Parts 8-17–8-21
 Wrenches 10-13,10-14,10-16
 Wrenches, special 10-18,10-19

Z
 Zurn 1-190–1-192,2-31–2-33
 Floor Sinks 15-6
 Flush Valve Parts 11-38–11-45
 Replacement Grates 15-3
 Zurn Ecovantage 12-4
 Zurn Hydrant Parts 8-22–8-25



**TOTAL
 MAINTENANCE
 SOLUTIONS**

HOUSTON
 800/392-5066

ORLANDO
 800/327-3022

GREENVILLE
 800/476-2212

LOOK FOR US ON THE WEB AT: www.TMSSouth.com

TERMS AND CONDITIONS

IT'S EASY TO ORDER

Choose the way that's best for you. Phone, FAX, mail, EDI, or place it with your local sales representative. If you don't already have an account, call us for a credit application.

Mail orders to your local branch:

Taylors, SC – PO Box 68, Taylors, SC 29687
Orlando, FL – PO Box 149126, Orlando, FL 32814
Houston, TX – 4155 W. Bellfort, Houston, TX 77025

Email us at: customerservice@tmssouth.com

OUR TERMS

1% discount 10 days from date of invoice. Net 30 days. Invoices not paid according to terms are subject to a monthly service charge of 1-1/2% per month. (Annual rate 18%)

MINIMUM ORDER

Our minimum order is \$25.00. Orders under \$25.00 are subject to a \$5.00 handling charge.

QUOTATIONS

Write, FAX, phone or email us for a quotation on any item, even those not currently in our catalog. Quotations are good for 45 days. Pricing is in effect at the time of shipment.

Our FAX numbers are:

Taylors, SC – 864/268-8912 or toll-free 888/587-0575
Orlando, FL – 407/281-8416 or toll-free 800/327-5689
Houston, TX – 713/664-4142 or toll-free 800/342-0559

RETURNS

Your satisfaction is our desire. You may return merchandise by your sales representative. If this is not convenient we ask that you call for shipping instructions before returning merchandise to us. No returns without an RGA. Non-stock & special order returns are subject to handling and restocking charges.

CLAIMS, DEFECTS AND DAMAGES

We ask that you notify us of shortages or damaged/defective merchandise within 10 days of delivery.

FREIGHT POLICY

Freight is FOB destination on orders over \$200.00. Under \$200.00 freight is pre-paid and added to the invoice. Exceptions include bulk items such as china, drinking fountains and sewer machines. Other items may be included.

SAME DAY SHIPPING

Same day shipping is available on all orders placed by 3 pm EST. Next day and quick shipping are available at customer's cost.

SALES TAX

TMS South is required to charge applicable state and local tax on every item for which a sales tax exemption certification has not been provided. When ordering, please indicate which items are tax exempt.

SPECIAL SERVICES

If you have a special shipping or billing request, please let us know. We will do our best to accommodate your particular needs.

LIMITED WARRANTY

Neither we nor the manufacturer shall be liable for any injury, loss or damage, direct or consequential, arising out of the use or inability to use an item sold by us, but our only obligation in lieu of all warranties expressed or implied, is to replace any item proven to be defective. Before using, the user must determine the suitability of the product for its intended use, and the user assumes all risk in connection therewith.

WARRANTY DISCLAIMER

TMS South has made a diligent effort to illustrate and describe the products accurately; however, such illustrations and descriptions are for the sole purpose of identification, and do not express or imply a warranty that the products are merchantable, or fit for a particular purpose, or that the products will conform to the illustrations or depictions. No warranty or affirmation of fact, express or implied, other than that as set forth in the limited warranty statement above is made or authorized by TMS South.

EDI (ELECTRONIC DATA INTERCHANGE)

If you would like to do business electronically, please let us know. We can receive purchase orders, and send acknowledgements and invoices electronically. We can also provide bar coded movement documents. Please call us to get us test transmissions.

MATERIAL SAFETY DATA SHEETS (MSDS)

Safety data sheets for all chemicals and related products sold by TMS South are available upon request.

SATISFACTION GUARANTEED

We're not happy until you're happy! If you're not, contact us immediately.



Any reproduction in whole or part, or any unauthorized use without the express permission of TMS South is prohibited and will constitute a violation of the copyright laws of the United States. © TMS South, August 2008



**TOTAL
MAINTENANCE
SOLUTIONS**

HOUSTON
800/392-5066

ORLANDO
800/327-3022

GREENVILLE
800/476-2212

LOOK FOR US ON THE WEB AT: www.TMSSouth.com

